

## 2A, 1.5 MHz PWM step-down switching regulator with synchronous rectification

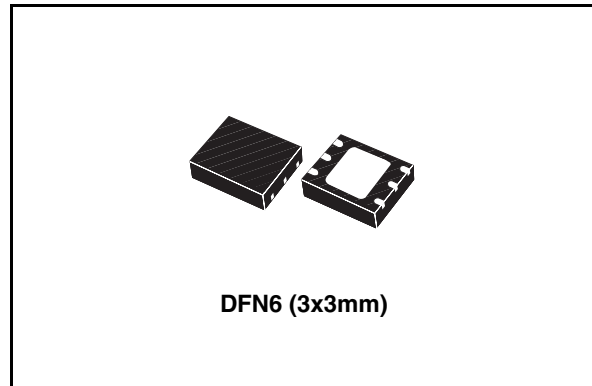
### Features

- 1.5MHz fixed frequency PWM with current control mode
- 2A output current capability
- Typical efficiency: > 90%
- 2% DC output voltage tolerance
- Two versions available: Power Good or Inhibit
- Integrated output over-voltage protection
- Non switching quiescent current: (typ) 1.5mA over temperature range
- $R_{\text{DS(on)}}$  (typ) 100m $\Omega$
- Utilizes tiny capacitors and inductors
- Operating junction temp. -30°C to 125°C
- Available in DFN6 3x3mm exposed pad

### Description

The ST1S09 is a step-down DC-DC converter optimized for powering low output voltage applications. It supplies a current in excess of 2A over an input voltage range from 2.7V to 6V.

A high PWM switching frequency (1.5MHz) allows the use of tiny surface-mount components.



Moreover, since the required synchronous rectifier is integrated, the number of the external components is reduced to minimum: a resistor divider, an inductor and two capacitors. The Power Good function continuously monitors the output voltage. An open drain power good flag is released when the output voltage is within regulation. In addition, a low output ripple is guaranteed by the current mode PWM topology and by the use of low E.S.R. SMD ceramic capacitors. The device is thermally protected and the output current limited to prevent damages due to accidental short circuit. The ST1S09 is available in the DFN6 3x3mm package.

**Table 1. Devices summary**

Order codes	Packaging	Package
ST1S09PU	ST1S09PUR	DFN6D (3x3 mm)
ST1S09APU <sup>(1)</sup>	ST1S09APUR	DFN6D (3x3 mm)
ST1S09IPU	ST1S09IPUR	DFN6D (3x3 mm)

1. Available on request.

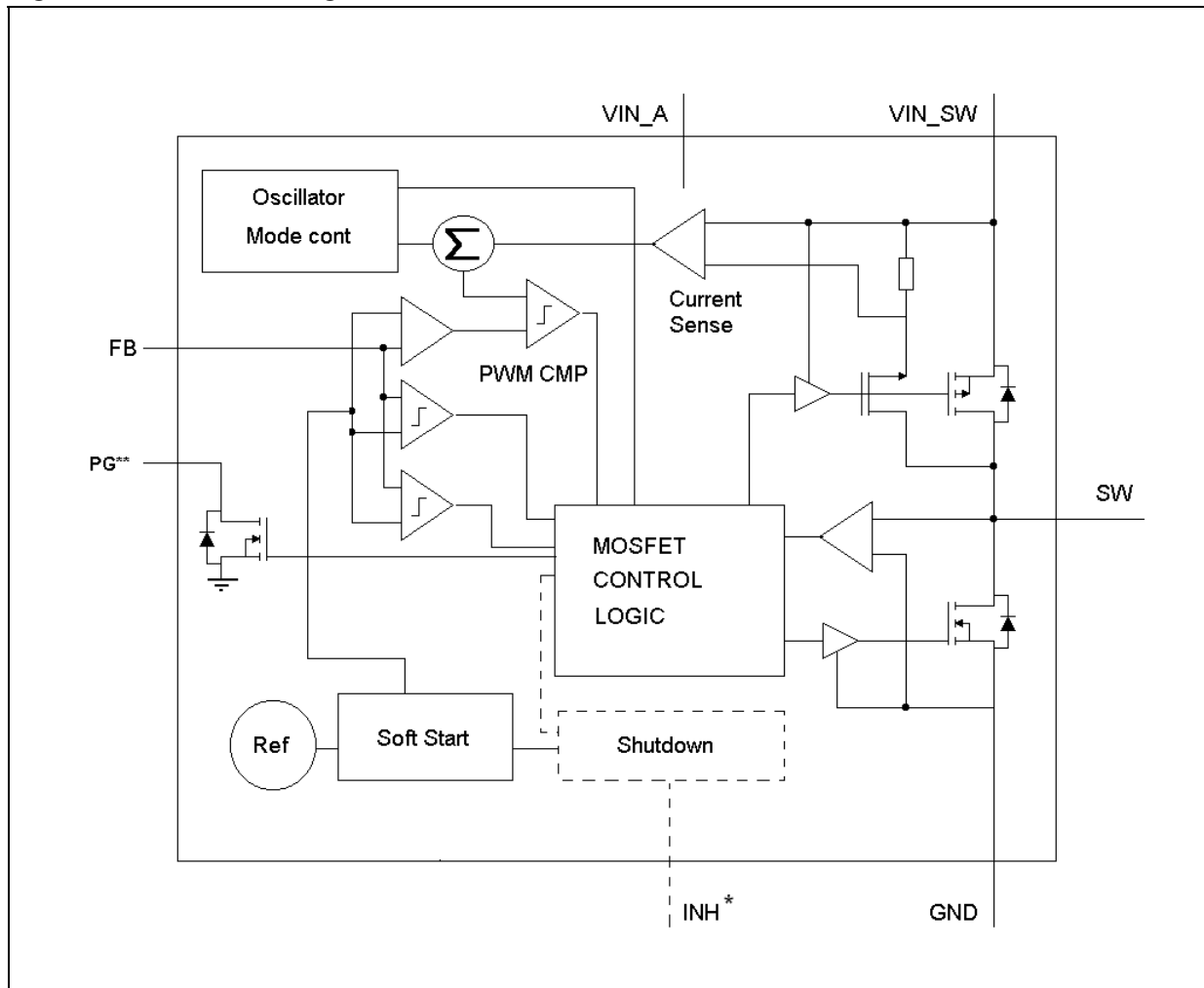
---

## Contents

1	Diagram .....	3
2	Pin configuration .....	4
3	Maximum ratings .....	5
4	Electrical characteristics .....	6
5	Typical performance characteristics .....	8
6	Typical application .....	11
7	Application information .....	12
8	Package mechanical data .....	13
9	Revision history .....	17

# 1 Diagram

Figure 1. Schematic diagram



(\*) Only for ST1S09IPU

(\*\*) Only for ST1S09PU

## 2 Pin configuration

Figure 2. Pin connections (top view)

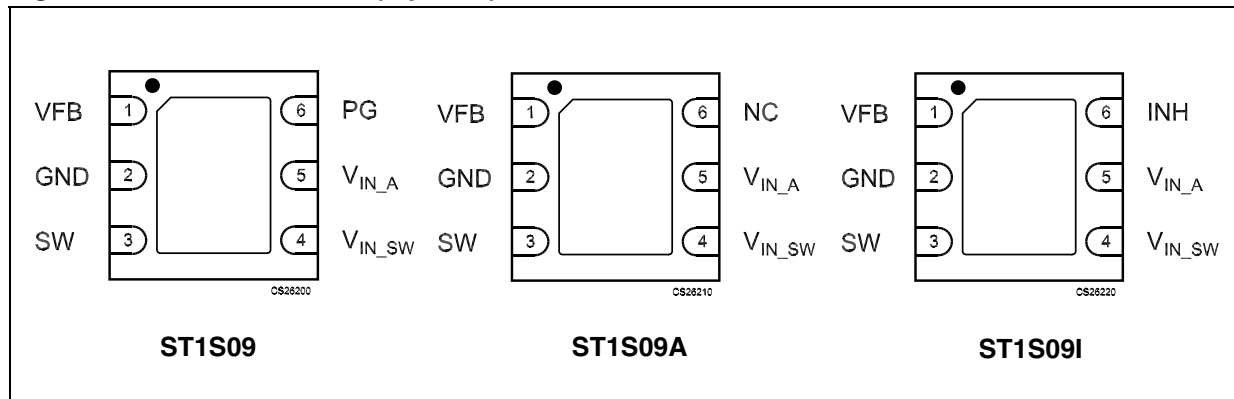


Table 2. Pin description

Pin N°	Symbol	Name and function
1	FB	Feedback voltage
2	GND	System ground
3	SW	Switching pin
4	$V_{IN\_SW}$	Power supply for the MOSFET switch
5	$V_{IN\_A}$	Power supply for analog circuit
6	INH/PG/NC	Inhibit (to turn off the device) / Power Good / Not Connected.
Exposed Pad	GND	To be connected to PCB ground plane for optimal electrical and thermal performance.

### 3 Maximum ratings

**Table 3. Absolute maximum ratings**

Symbol	Parameter	Value	Unit
V <sub>IN_SW</sub>	Positive power supply voltage	-0.3 to 7	V
V <sub>IN_A</sub>	Positive power supply voltage	-0.3 to 7	V
V <sub>INH</sub>	Inhibit voltage (I version)	-0.3 to V <sub>I</sub> + 0.3	V
SWITCH Voltage	Max. voltage of output pin	-0.3 to 7	V
V <sub>FB</sub>	Feedback voltage	-0.3 to 3	V
PG	Power Good open drain	-0.3 to 7	V
T <sub>J</sub>	Max junction temperature	-40 to 150	°C
T <sub>STG</sub>	Storage temperature range	-65 to 150	°C
T <sub>LEAD</sub>	Lead temperature (soldering) 10 sec	260	°C

*Note: Absolute Maximum Ratings are those values beyond which damage to the device may occur. Functional operation under these conditions is not implied.*

**Table 4. Thermal data**

Symbol	Parameter	Value	Unit
R <sub>thJC</sub>	Thermal resistance junction-case	10	°C/W
R <sub>thJA</sub>	Thermal resistance junction-ambient	55	°C/W

**Table 5. ESD Performance**

Symbol	Parameter	Test conditions	Value	Unit
ESD	ESD protection voltage	HBM	2	KV
ESD	ESD protection voltage	MM	500	V

## 4 Electrical characteristics

**Table 6. Electrical characteristics for ST1S09PU** Refer to [Figure 21](#). application circuit  
 $V_{IN\_SW} = V_{IN\_A} = 5V$ ,  $V_O = 1.2V$ ,  $C1 = 4.7\mu F$ ,  $C2 = 22\mu F$ ,  $L1 = 2.7\mu H$ ,  $T_J = -30$  to  $125^\circ C$   
 (unless otherwise specified. Typical values are referred to  $25^\circ C$ )

Symbol	Parameter	Test conditions	Min.	Typ.	Max.	Unit
FB	Feedback voltage		784	800	816	mV
$I_{FB}$	$V_{FB}$ pin bias current				600	nA
$V_I$	Input voltage	$I_O = 10mA$ to $2A$	4.5		5.5	V
UV <sub>LO</sub>	Under voltage lock out threshold	$V_I$ Rising	3.5	3.7	3.9	V
		Hysteresis		150		mV
OVP	Over voltage protection threshold	$V_O$ rising	$1.05 V_O$	$1.1 V_O$		V
	Over voltage protection hysteresis	$V_O$ falling		5		%
$I_{OVP}$	Overvoltage clamping current	$V_O = 1.2V$		300		mA
$I_Q$	Quiescent current	Not switching		1.5	2.5	mA
$I_O$	Output current	$V_I = 4.5$ to $5.5V$ <a href="#">Note: 1</a>	2			A
$\%V_O/\Delta V_I$	Output line regulation	$V_I = 4.5V$ to $5.5V$ , $I_O = 100mA$ <a href="#">Note: 1</a>		0.16		$\%V_O/\Delta V_I$
$\%V_O/\Delta I_O$	Output load regulation	$I_O = 10mA$ to $2A$ <a href="#">Note: 1</a>		0.2	0.6	%
PWM <sub>fS</sub>	PWM switching frequency	$V_{FB} = 0.65V$	1.2	1.5	1.8	MHz
D <sub>MAX</sub>	Maximum duty cycle		80	87		%
	Power good output threshold			$0.92 V_O$		V
	Power good output voltage low	$I_{SINK} = 6mA$ open drain output			0.4	V
R <sub>DSON-N</sub>	NMOS switch on resistance	$I_{SW} = 750$ mA		0.1		$\Omega$
R <sub>DSON-P</sub>	PMOS switch on resistance	$I_{SW} = 750$ mA		0.1		$\Omega$
$I_{SWL}$	Switching current limitation	<a href="#">Note: 1</a>	2.5	2.9	3.5	A
$\eta$	Efficiency <a href="#">Note: 1</a>	$I_O = 10mA$ to $100mA$ , $V_O = 3.3V$	65			%
		$I_O = 100mA$ to $2A$ , $V_O = 3.3V$	82	87		
T <sub>SHDN</sub>	Thermal shutdown			150		$^\circ C$
T <sub>HYS</sub>	Thermal shutdown hysteresis			20		$^\circ C$
$\%V_O/\Delta I_O$	Load transient response	$I_O = 100mA$ to $1A$ , $T_A = 25^\circ C$ $t_R = t_F \geq 200ns$ , <a href="#">Note: 1</a>	-10		+10	$\%V_O$
$\%V_O/\Delta I_O$	Short circuit removal response	$I_O = 10mA$ to $I_O = short$ , $T_A = 25^\circ C$ <a href="#">Note: 1</a>	-10		+10	$\%V_O$

Note: 1 Guaranteed by design, but not tested in production.

**Table 7. Electrical characteristics for ST1S09IPU** Refer to *Figure 22*. application circuit  
 $V_{IN\_SW} = V_{IN\_A} = V_{INH} = 5V$ ,  $V_O = 1.2V$ ,  $C1 = 4.7\mu F$ ,  $C2 = 22\mu F$ ,  $L1 = 2.7\mu H$ ,  
 $T_J = -30$  to  $125^\circ C$  (unless otherwise specified. Typical values are referred to  $25^\circ C$ )

Symbol	Parameter	Test conditions	Min.	Typ.	Max.	Unit
FB	Feedback voltage		784	800	816	mV
$I_{FB}$	$V_{FB}$ pin bias current				600	nA
$V_I$	Minimum input voltage	$I_O = 10mA$ to 2A	2.7			V
OVP	Over voltage protection threshold	$V_O$ rising	$1.05 V_O$	$1.1 V_O$		V
	Over voltage protection hysteresis	$V_O$ falling		5		%
$I_Q$	Quiescent current	$V_{INH} > 1.2V$ , not switching		1.5	2.5	mA
		$V_{INH} < 0.4V$ , $T = -30^\circ C$ to $85^\circ C$			1	$\mu A$
$I_O$	Output current	$V_I = 2.7$ to $5.5V$ <i>Note: 1</i>	2			A
$V_{INH}$	Inhibit threshold	Device ON, $V_I = 2.7$ to $5.5V$	1.3			V
		Device ON, $V_I = 2.7$ to $5V$	1.2			
		Device OFF			0.4	
$I_{INH}$	Inhibit pin current				2	$\mu A$
$\%V_O/\Delta V_I$	Output line regulation	$V_I = 2.7V$ to $5.5V$ , $I_O = 100mA$ <i>Note: 1</i>		0.16		$\%V_O/\Delta V_I$
$\%V_O/\Delta I_O$	Output load regulation	$I_O = 10mA$ to 2A <i>Note: 1</i>		0.2	0.6	$\%V_O/\Delta I_O$
$PWMf_S$	PWM switching frequency	$V_{FB} = 0.65V$	1.2	1.5	1.8	MHz
$D_{MAX}$	Maximum duty cycle		80	87		%
$R_{DSON-N}$	NMOS switch on resistance	$I_{SW} = 750 mA$		0.1		$\Omega$
$R_{DSON-P}$	PMOS switch on resistance	$I_{SW} = 750 mA$		0.1		$\Omega$
$I_{SWL}$	Switching current limitation	<i>Note: 1</i>	2.5	2.9	3.5	A
$\nu$	Efficiency <i>Note: 1</i>	$I_O = 10mA$ to $100mA$ , $V_O = 3.3V$	65			%
		$I_O = 100mA$ to $2A$ , $V_O = 3.3V$	82	87		
$T_{SHDN}$	Thermal shutdown			150		$^\circ C$
$T_{HYS}$	Thermal shutdown hysteresis			20		$^\circ C$
$\%V_O/\Delta I_O$	Load transient response	$I_O = 100mA$ to $1A$ , $T_A = 25^\circ C$ $t_R = t_F \geq 200ns$ , <i>Note: 1</i>	-10		+10	$\%V_O$
$\%V_O/\Delta I_O$	Short circuit removal response	$I_O = 10mA$ to $I_O = short$ , $T_A = 25^\circ C$ <i>Note: 1</i>	-10		+10	$\%V_O$

*Note: 1 Guaranteed by design, but not tested in production.*

# 5 Typical performance characteristics

(L = 3.3μH, C<sub>1</sub> = 4.7μF, C<sub>O</sub> = 22μF, unless otherwise specified)

Figure 3. Voltage feedback vs temperature

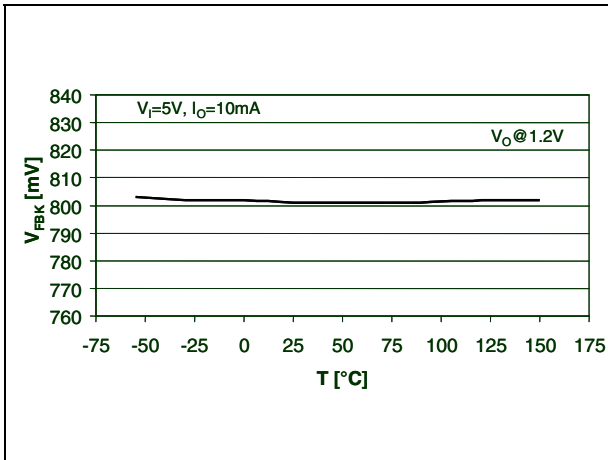


Figure 4. Feedback pin bias current vs temp.

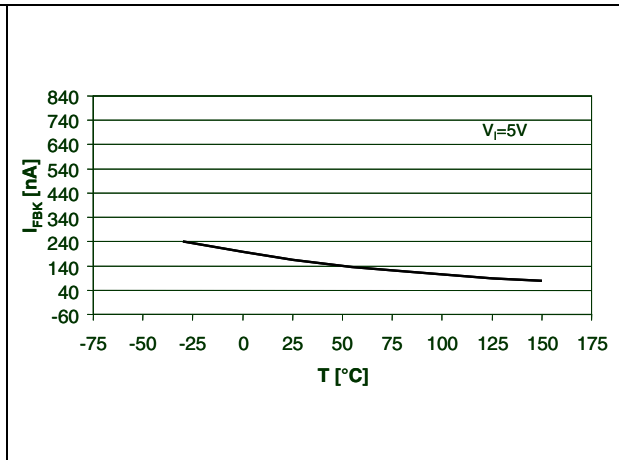


Figure 5. Quiescent current non switching vs temperature

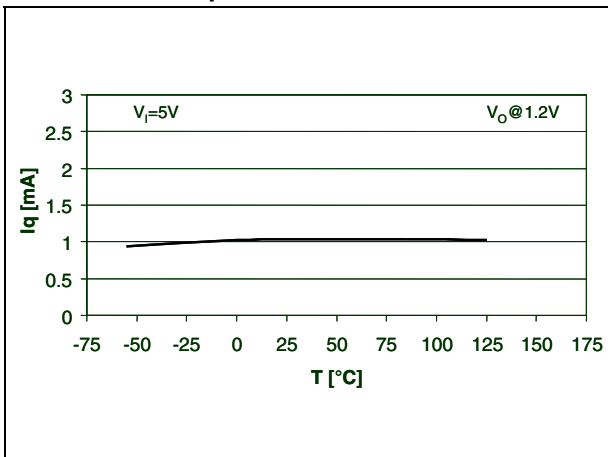


Figure 6. Inhibit voltage vs temperature

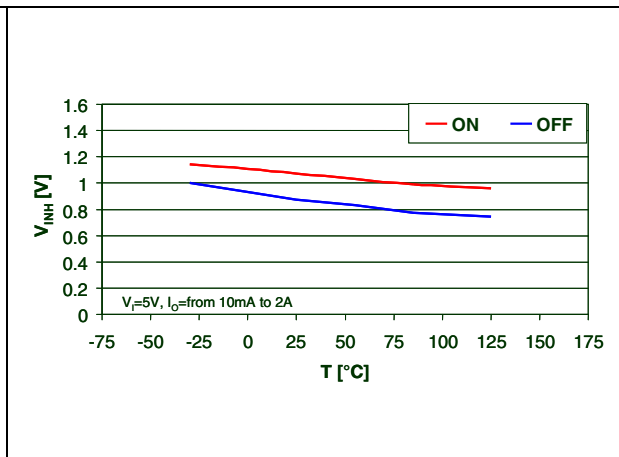


Figure 7. Inhibit voltage vs input voltage

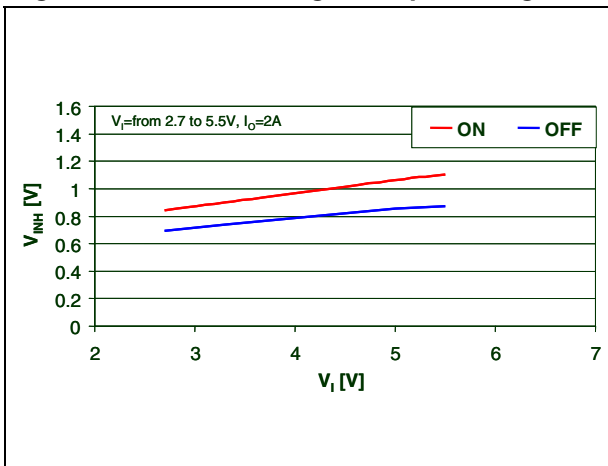


Figure 8. Output voltage vs input voltage

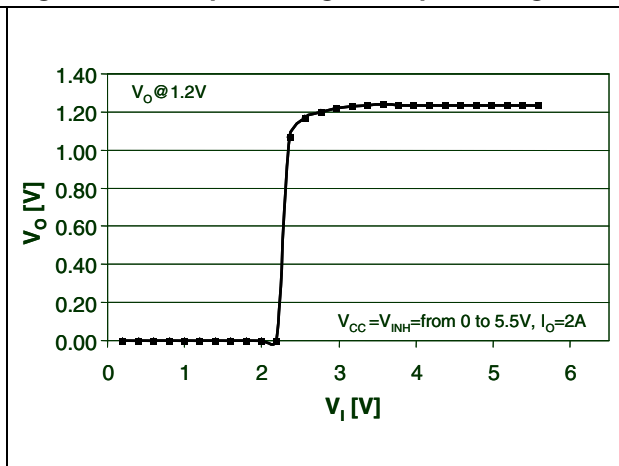




Figure 9. Line regulation vs temperature

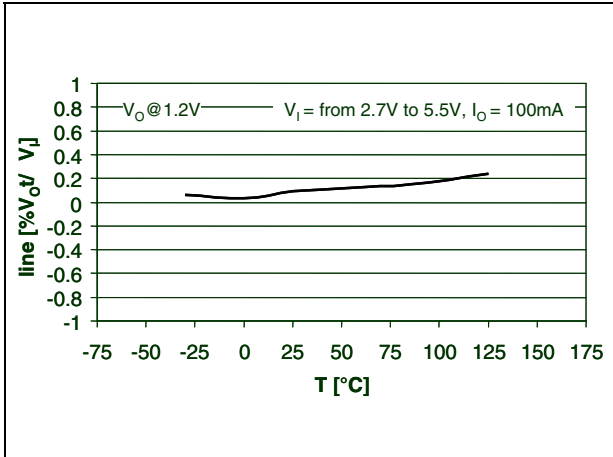


Figure 10. Load regulation vs temperature

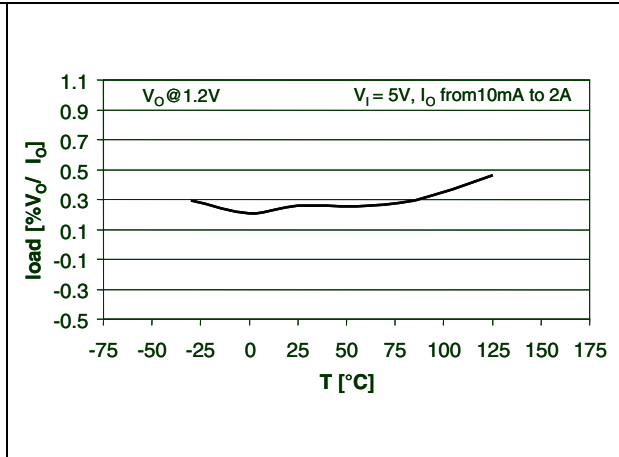


Figure 11. PWM Switching frequency vs temperature

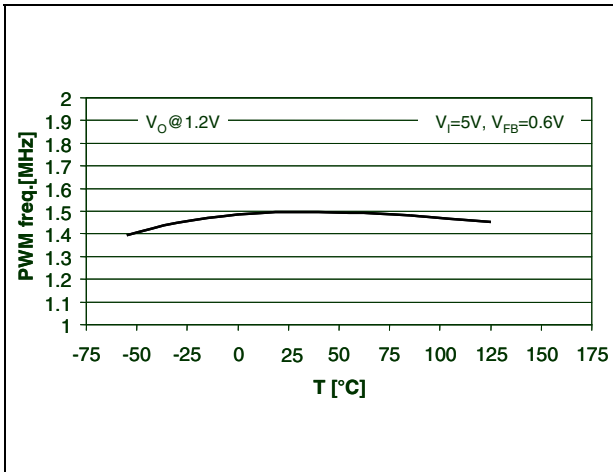


Figure 12. Maximum duty cycle vs temperature

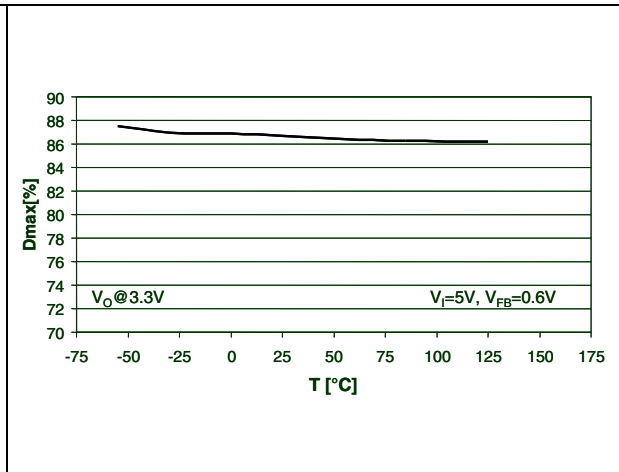


Figure 13. Under voltage lock out threshold vs temperature

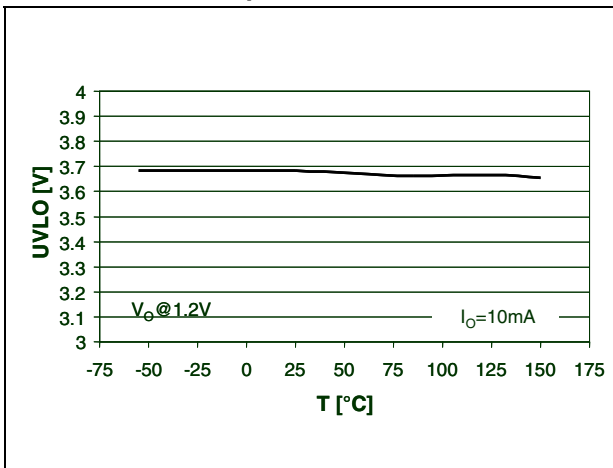


Figure 14. Efficiency vs output current

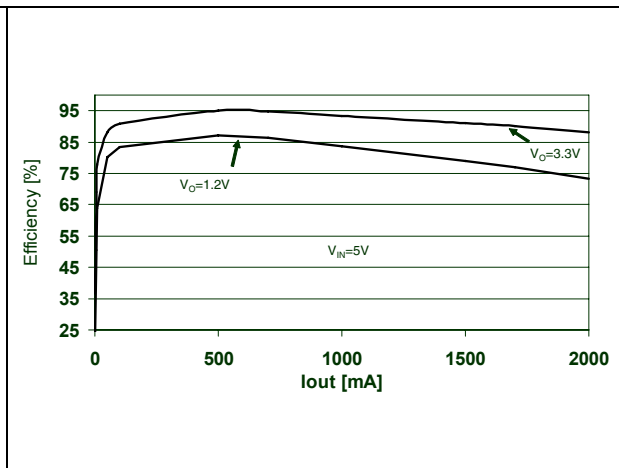


Figure 15. Efficiency vs temperature

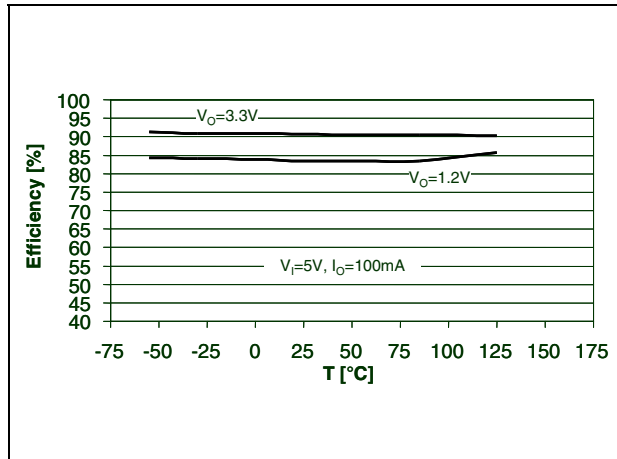


Figure 16. Over voltage protection vs temperature

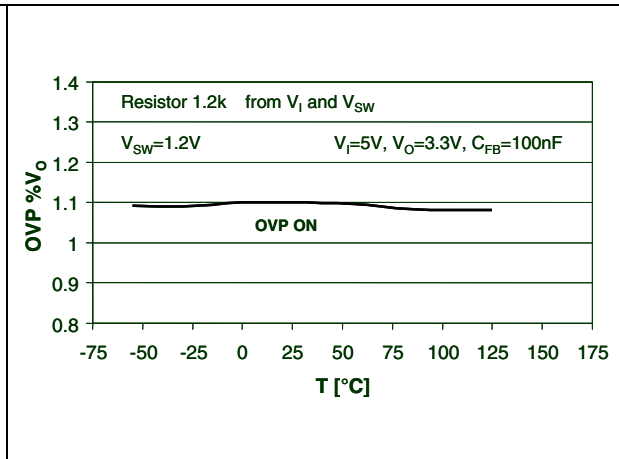


Figure 17. Over voltage protection vs temperature

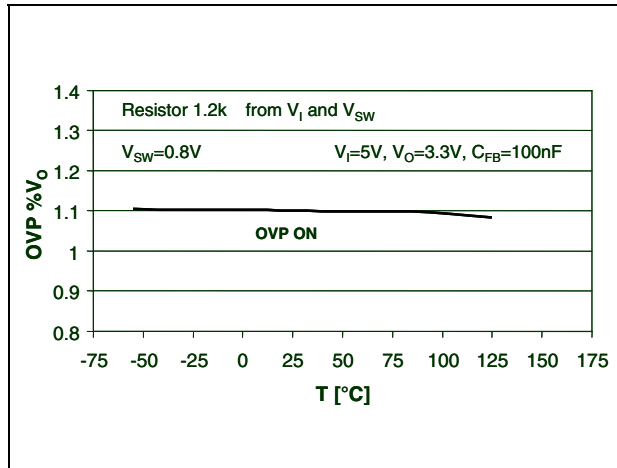


Figure 18. Over voltage protection hyst. vs temperature

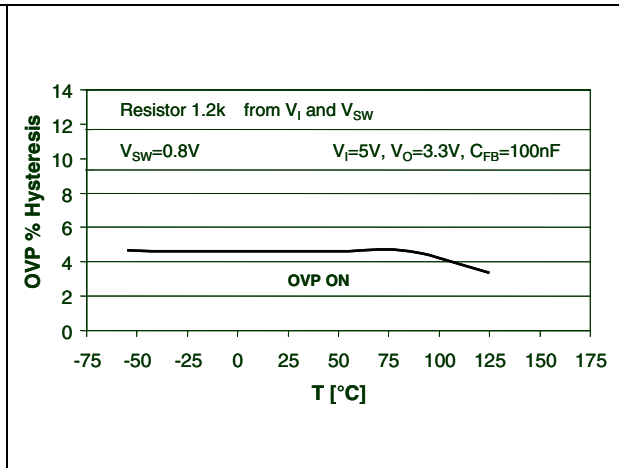


Figure 19. Load transient

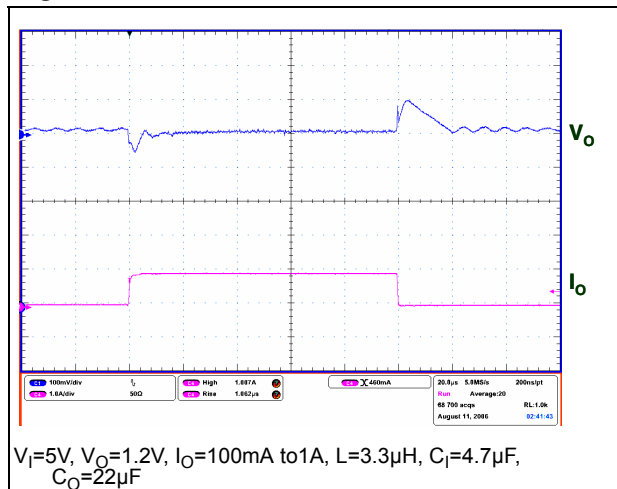
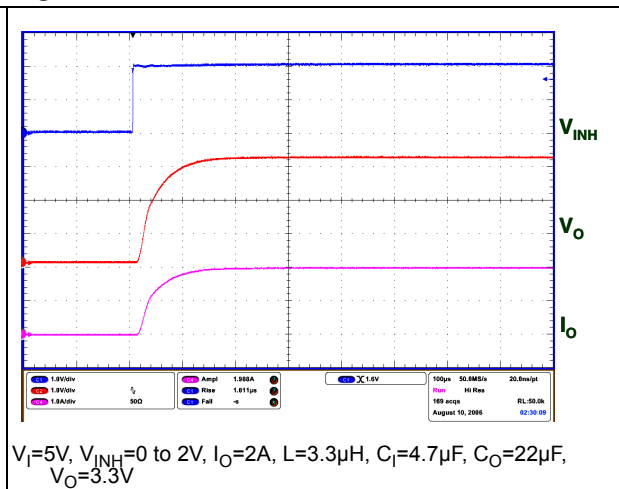


Figure 20. Inhibit transient



## 6 Typical application

Figure 21. Application circuits

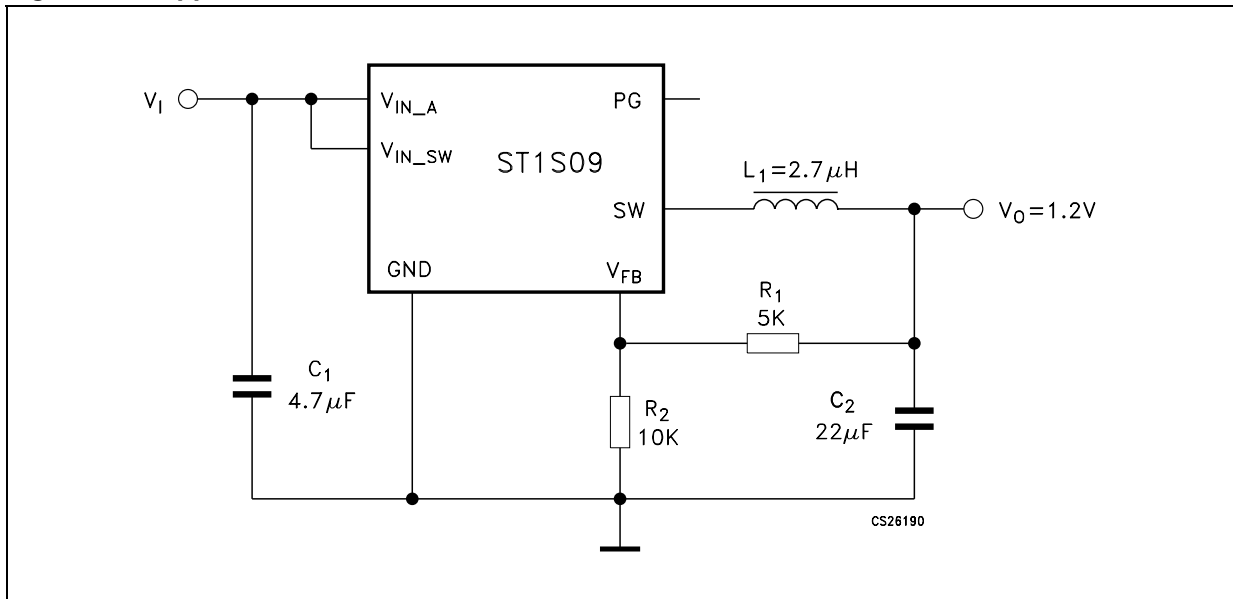
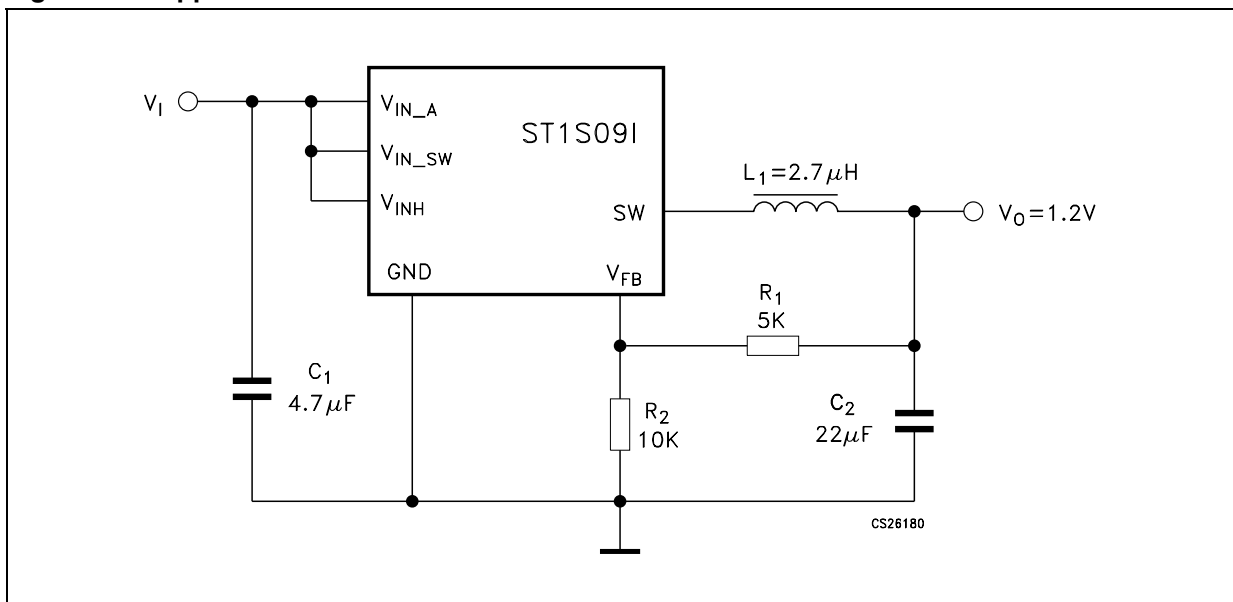


Figure 22. Application circuits



## 7 Application information

The ST1S09 is an adjustable current mode PWM step-down DC/DC converter with internal 2A power switch, packaged in a DFN6 3x3mm.

The device is a complete 2A switching regulator with its internal compensation eliminating the need for additional components.

The constant frequency, current mode, PWM architecture and stable operation with ceramic capacitors results in low, predictable output ripple.

The over-voltage protection circuit acts when the output voltage is over 10% of the rated voltage and within 200ns the low side MOSFET will be turned on to clamp the output transient. The current limit for clamping is about 400mA. When the output voltage drops to about 5% above the nominal level, the device returns to nominal closed loop switching operation.

The open drain Power Good (PG) pin is released when the output voltage is higher than  $0.92 \times V_{O\_NOM}$ . If the output voltage is below  $0.92 \times V_O$ , the PG pin goes to low impedance.

Other circuits fitted to the device protection are the Thermal Shut-down block, which turns off the regulator when the junction temperature exceeds 150°C (typ), and the cycle-by-cycle Current Limiting, which provides protection against shorted outputs.

As an adjustable regulator, the ST1S09's output voltage is determined by an external resistor divider. The desired value is given by the following equation:

$$V_O = V_{FB}[1+R1/R2]$$

To utilize the device, only a few components are required: an inductor, two capacitors and the resistor divider. The inductor chosen must be able to reach peak current level without saturating. Its value can be selected while taking into account that a large inductor value increases the efficiency at low output current and reduces output voltage ripple, while a smaller inductor can be chosen when it is important to reduce package size and the total cost of the application. Finally, the ST1S09 has been designed to work properly with X5R or X7R SMD ceramic capacitors both at the input and at the output. These types of capacitors, due to their very low series resistance (ESR), minimize the output voltage ripple. Other low ESR capacitors can be used according to the need of the application without compromising the correct functioning of the device.

## 8 Package mechanical data

In order to meet environmental requirements, ST offers these devices in ECOPACK® packages. These packages have a Lead-free second level interconnect. The category of second Level Interconnect is marked on the package and on the inner box label, in compliance with JEDEC Standard JESD97. The maximum ratings related to soldering conditions are also marked on the inner box label. ECOPACK is an ST trademark. ECOPACK specifications are available at: [www.st.com](http://www.st.com).

### DFN6D (3x3) Mechanical Data

Dim.	mm.			inch.		
	Min.	Typ.	Max.	Min.	Typ.	Max.
A	0.80		1.00	0.031		0.039
A1	0	0.02	0.05	0	0.001	0.002
A3		0.20			0.008	
b	0.23		0.45	0.009		0.018
D	2.90	3.00	3.10	0.114	0.118	0.122
D2	2.23		2.50	0.088		0.098
E	2.90	3.00	3.10	0.114	0.118	0.122
E2	1.50		1.75	0.059		0.069
e		0.95			0.037	
L	0.30	0.40	0.50	0.012	0.016	0.020

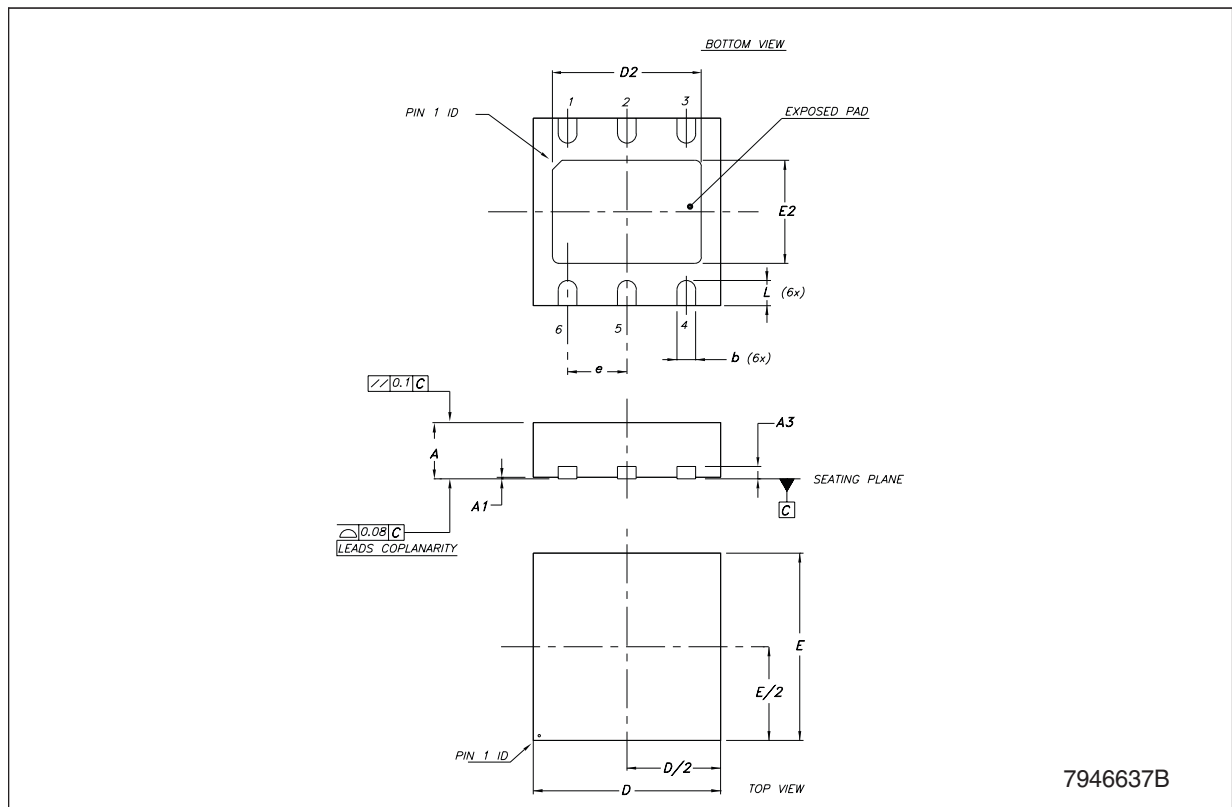
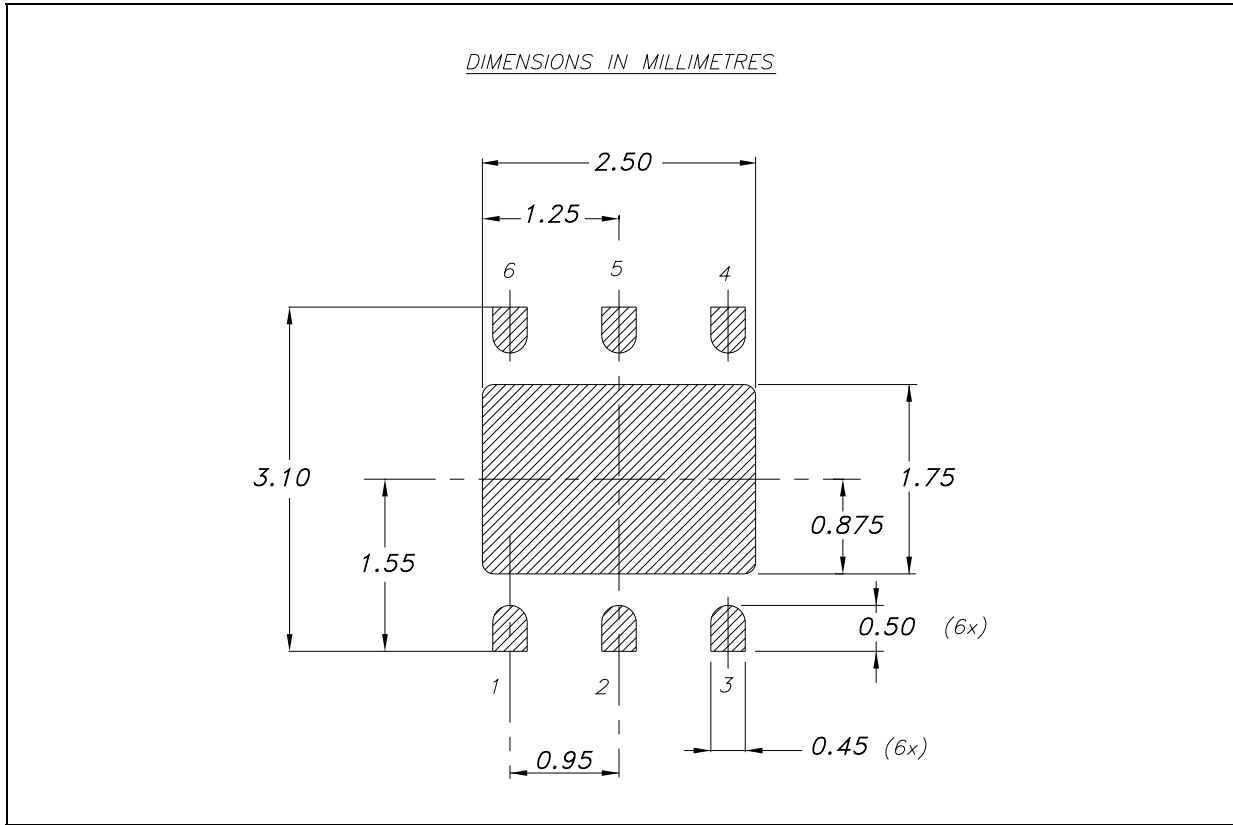
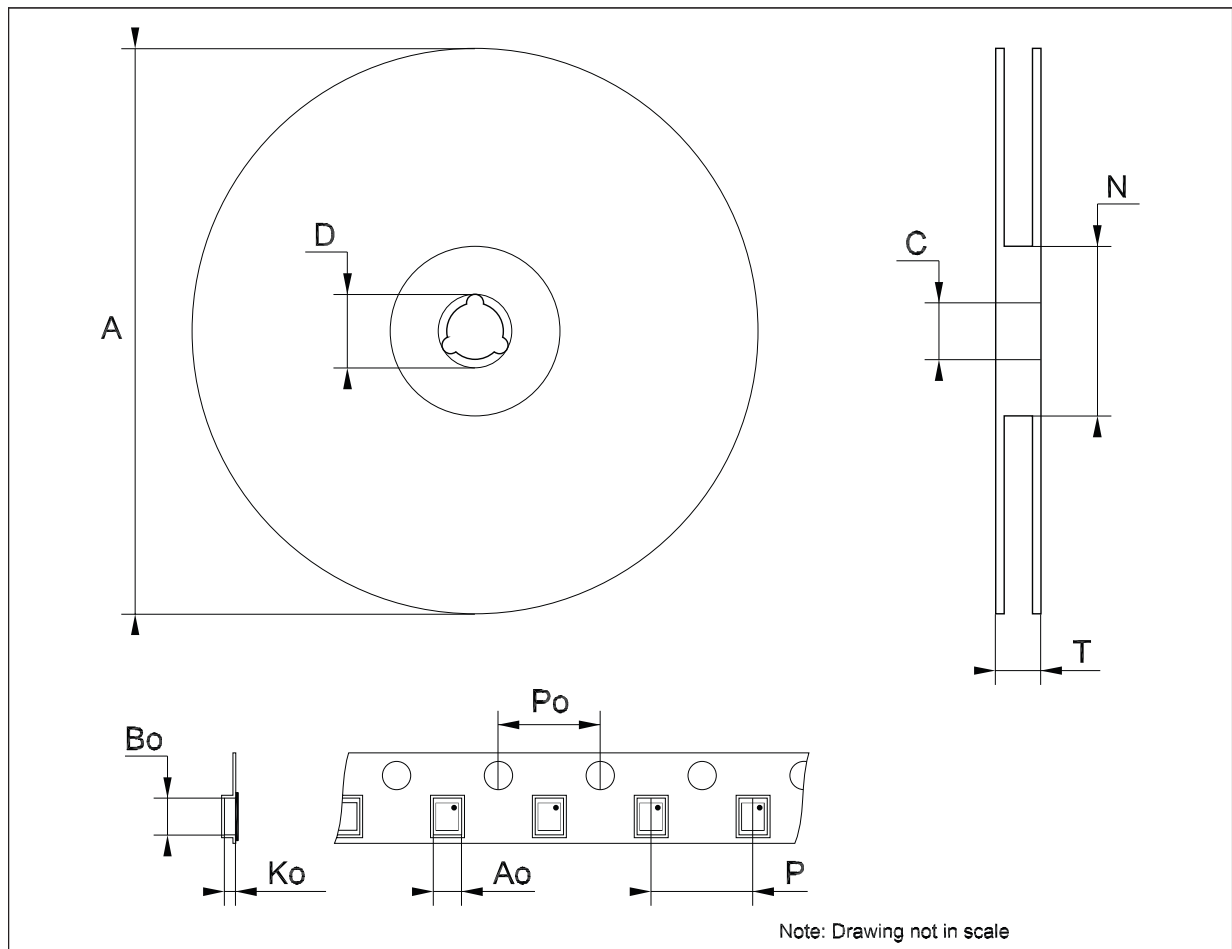


Figure 23. DFN6 (3x3) Footprint Recommended Data



**Tape & Reel QFNxx/DFNxx (3x3) Mechanical Data**

Dim.	mm.			inch.		
	Min.	Typ.	Max.	Min.	Typ.	Max.
A			330			12.992
C	12.8		13.2	0.504		0.519
D	20.2			0.795		
N	60			2.362		
T			18.4			0.724
Ao		3.3			0.130	
Bo		3.3			0.130	
Ko		1.1			0.043	
Po		4			0.157	
P		8			0.315	





## 9 Revision history

**Table 8. Revision history**

Date	Revision	Changes
18-Jun-2007	1	First Issue.
05-Jul-2007	2	Removed incorrect watermark.

**Please Read Carefully:**

Information in this document is provided solely in connection with ST products. STMicroelectronics NV and its subsidiaries ("ST") reserve the right to make changes, corrections, modifications or improvements, to this document, and the products and services described herein at any time, without notice.

All ST products are sold pursuant to ST's terms and conditions of sale.

Purchasers are solely responsible for the choice, selection and use of the ST products and services described herein, and ST assumes no liability whatsoever relating to the choice, selection or use of the ST products and services described herein.

No license, express or implied, by estoppel or otherwise, to any intellectual property rights is granted under this document. If any part of this document refers to any third party products or services it shall not be deemed a license grant by ST for the use of such third party products or services, or any intellectual property contained therein or considered as a warranty covering the use in any manner whatsoever of such third party products or services or any intellectual property contained therein.

**UNLESS OTHERWISE SET FORTH IN ST'S TERMS AND CONDITIONS OF SALE ST DISCLAIMS ANY EXPRESS OR IMPLIED WARRANTY WITH RESPECT TO THE USE AND/OR SALE OF ST PRODUCTS INCLUDING WITHOUT LIMITATION IMPLIED WARRANTIES OF MERCHANTABILITY, FITNESS FOR A PARTICULAR PURPOSE (AND THEIR EQUIVALENTS UNDER THE LAWS OF ANY JURISDICTION), OR INFRINGEMENT OF ANY PATENT, COPYRIGHT OR OTHER INTELLECTUAL PROPERTY RIGHT.**

**UNLESS EXPRESSLY APPROVED IN WRITING BY AN AUTHORIZED ST REPRESENTATIVE, ST PRODUCTS ARE NOT RECOMMENDED, AUTHORIZED OR WARRANTED FOR USE IN MILITARY, AIR CRAFT, SPACE, LIFE SAVING, OR LIFE SUSTAINING APPLICATIONS, NOR IN PRODUCTS OR SYSTEMS WHERE FAILURE OR MALFUNCTION MAY RESULT IN PERSONAL INJURY, DEATH, OR SEVERE PROPERTY OR ENVIRONMENTAL DAMAGE. ST PRODUCTS WHICH ARE NOT SPECIFIED AS "AUTOMOTIVE GRADE" MAY ONLY BE USED IN AUTOMOTIVE APPLICATIONS AT USER'S OWN RISK.**

Resale of ST products with provisions different from the statements and/or technical features set forth in this document shall immediately void any warranty granted by ST for the ST product or service described herein and shall not create or extend in any manner whatsoever, any liability of ST.

ST and the ST logo are trademarks or registered trademarks of ST in various countries.

Information in this document supersedes and replaces all information previously supplied.

The ST logo is a registered trademark of STMicroelectronics. All other names are the property of their respective owners.

© 2007 STMicroelectronics - All rights reserved

STMicroelectronics group of companies

Australia - Belgium - Brazil - Canada - China - Czech Republic - Finland - France - Germany - Hong Kong - India - Israel - Italy - Japan - Malaysia - Malta - Morocco - Singapore - Spain - Sweden - Switzerland - United Kingdom - United States of America

[www.st.com](http://www.st.com)