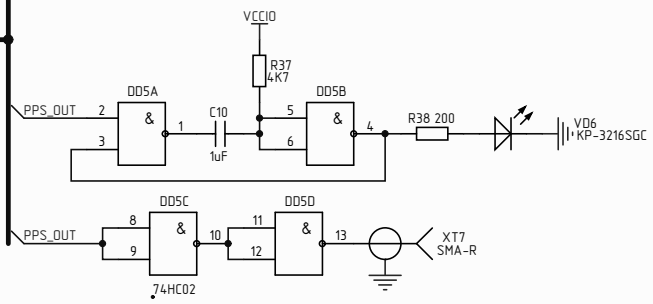
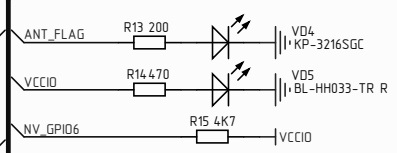
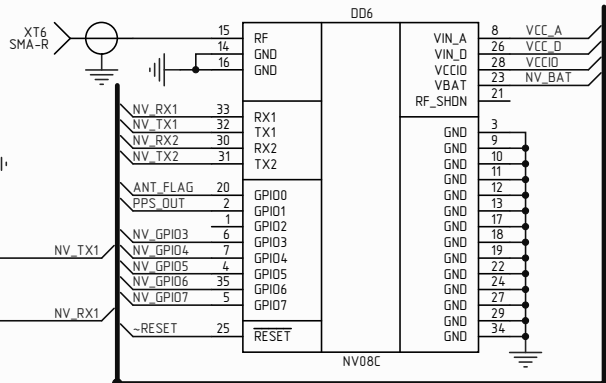
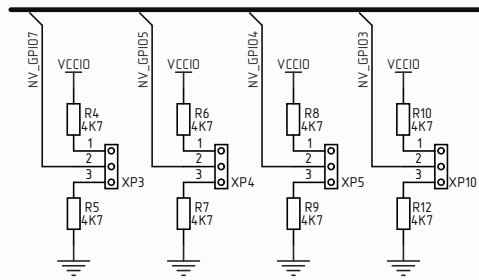
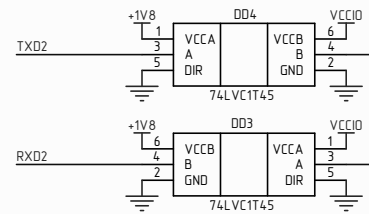
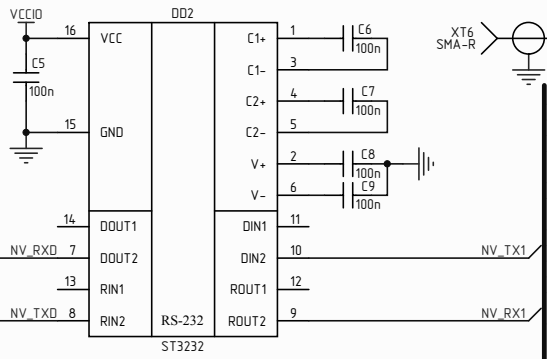
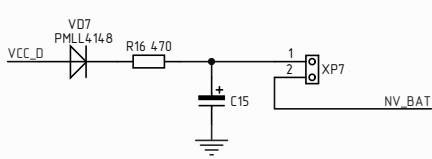
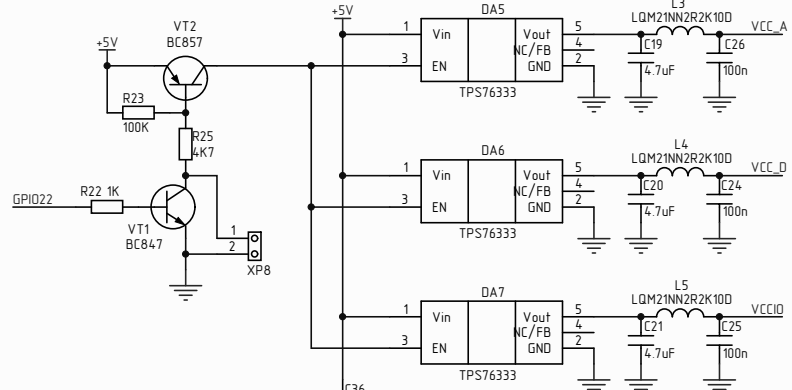
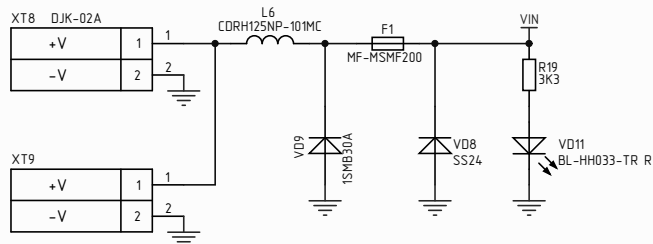
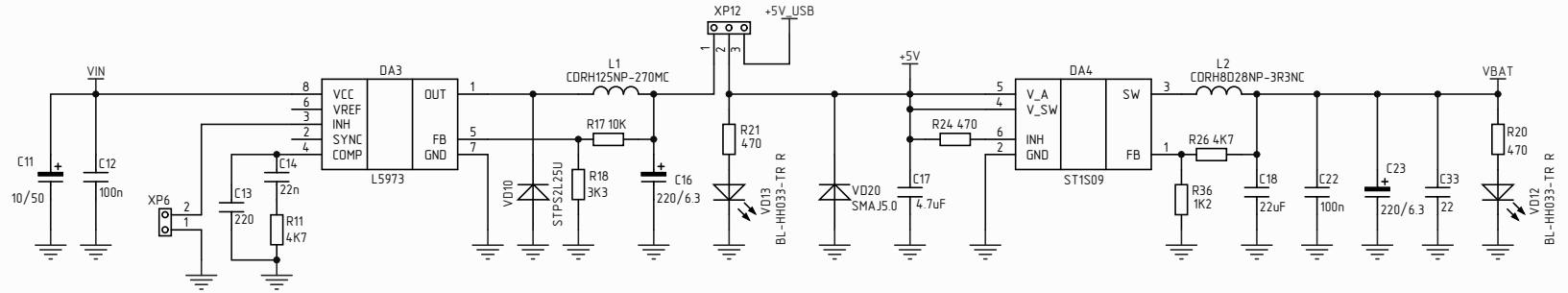
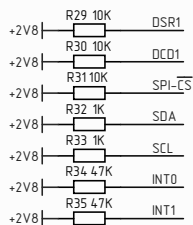
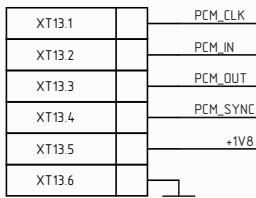
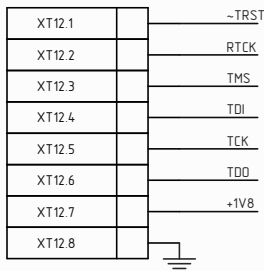
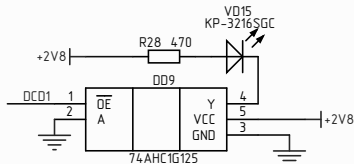
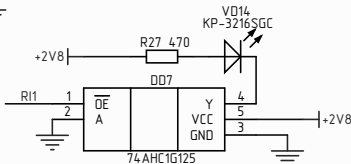
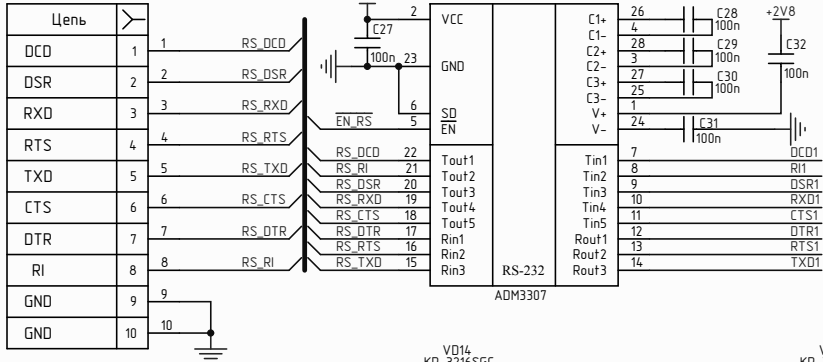


XT5 BH-10	
Цепь	Конт.
DCD	1
DSR	2
RXD	3
RTS	4
TXD	5
CTS	6
DTR	7
RI	8
GND	9
GND	10





XT10 BH-10



XT11A



XT11B

