



# AT Commands Interface Guide for Firmware 7.52

## Interface Guide



**SIERRA**  
WIRELESS

4111843  
6.0  
October 25, 2013

## Important Notice

Due to the nature of wireless communications, transmission and reception of data can never be guaranteed. Data may be delayed, corrupted (i.e., have errors) or be totally lost. Although significant delays or losses of data are rare when wireless devices such as the Sierra Wireless modem are used in a normal manner with a well-constructed network, the Sierra Wireless modem should not be used in situations where failure to transmit or receive data could result in damage of any kind to the user or any other party, including but not limited to personal injury, death, or loss of property. Sierra Wireless accepts no responsibility for damages of any kind resulting from delays or errors in data transmitted or received using the Sierra Wireless modem, or for failure of the Sierra Wireless modem to transmit or receive such data.

## Safety and Hazards

Do not operate the Sierra Wireless modem in areas where cellular modems are not advised without proper device certifications. These areas include environments where cellular radio can interfere such as explosive atmospheres, medical equipment, or any other equipment which may be susceptible to any form of radio interference. The Sierra Wireless modem can transmit signals that could interfere with this equipment. Do not operate the Sierra Wireless modem in any aircraft, whether the aircraft is on the ground or in flight. In aircraft, the Sierra Wireless modem **MUST BE POWERED OFF**. When operating, the Sierra Wireless modem can transmit signals that could interfere with various onboard systems.

---

*Note: Some airlines may permit the use of cellular phones while the aircraft is on the ground and the door is open. Sierra Wireless modems may be used at this time.*

---

The driver or operator of any vehicle should not operate the Sierra Wireless modem while in control of a vehicle. Doing so will detract from the driver or operator's control and operation of that vehicle. In some states and provinces, operating such communications devices while in control of a vehicle is an offence.

## Limitations of Liability

This manual is provided "as is". Sierra Wireless makes no warranties of any kind, either expressed or implied, including any implied warranties of merchantability, fitness for a particular purpose, or noninfringement. The recipient of the manual shall endorse all risks arising from its use.

The information in this manual is subject to change without notice and does not represent a commitment on the part of Sierra Wireless. SIERRA WIRELESS AND ITS AFFILIATES SPECIFICALLY DISCLAIM LIABILITY FOR ANY AND ALL DIRECT, INDIRECT, SPECIAL, GENERAL, INCIDENTAL, CONSEQUENTIAL, PUNITIVE OR EXEMPLARY DAMAGES INCLUDING, BUT NOT LIMITED TO, LOSS OF PROFITS OR REVENUE OR ANTICIPATED PROFITS OR REVENUE ARISING OUT OF THE USE OR INABILITY TO USE ANY SIERRA WIRELESS PRODUCT, EVEN IF SIERRA WIRELESS AND/OR ITS AFFILIATES HAS BEEN ADVISED OF THE POSSIBILITY OF SUCH DAMAGES OR THEY ARE FORESEEABLE OR FOR CLAIMS BY ANY THIRD PARTY.

Notwithstanding the foregoing, in no event shall Sierra Wireless and/or its affiliates aggregate liability arising under or in connection with the Sierra Wireless product, regardless of the number of events, occurrences, or claims giving rise to liability, be in excess of the price paid by the purchaser for the Sierra Wireless product.

Customer understands that Sierra Wireless is not providing cellular or GPS (including A-GPS) services. These services are provided by a third party and should be purchased directly by the Customer.

**SPECIFIC DISCLAIMERS OF LIABILITY:** CUSTOMER RECOGNIZES AND ACKNOWLEDGES SIERRA WIRELESS IS NOT RESPONSIBLE FOR AND SHALL NOT BE HELD LIABLE FOR ANY DEFECT OR DEFICIENCY OF ANY KIND OF CELLULAR OR GPS (INCLUDING A-GPS) SERVICES.

## Patents

This product may contain technology developed by or for Sierra Wireless Inc.

This product includes technology licensed from QUALCOMM®.

This product is manufactured or sold by Sierra Wireless Inc. or its affiliates under one or more patents licensed from InterDigital Group and MMP Portfolio Licensing.

## Copyright

© 2013 Sierra Wireless. All rights reserved.

## Trademarks

Sierra Wireless®, AirPrime®, AirLink®, AirVantage®, WISMO® and the Sierra Wireless and Open AT logos are registered trademarks of Sierra Wireless, Inc. or one of its subsidiaries.

Watcher® is a registered trademark of Netgear, Inc., used under license.

Windows® and Windows Vista® are registered trademarks of Microsoft Corporation.

Macintosh® and Mac OS X® are registered trademarks of Apple Inc., registered in the U.S. and other countries.

QUALCOMM® is a registered trademark of QUALCOMM Incorporated. Used under license.

Other trademarks are the property of their respective owners.

## Contact Information

|                    |                                                                             |                                                                                       |
|--------------------|-----------------------------------------------------------------------------|---------------------------------------------------------------------------------------|
| Sales Desk:        | Phone:                                                                      | 1-604-232-1488                                                                        |
|                    | Hours:                                                                      | 8:00 AM to 5:00 PM Pacific Time                                                       |
|                    | Contact:                                                                    | <a href="http://www.sierrawireless.com/sales">http://www.sierrawireless.com/sales</a> |
| Post:              | Sierra Wireless<br>13811 Wireless Way<br>Richmond, BC<br>Canada V6V 3A4     |                                                                                       |
| Technical Support: | <a href="mailto:support@sierrawireless.com">support@sierrawireless.com</a>  |                                                                                       |
| RMA Support:       | <a href="mailto:repairs@sierrawireless.com">repairs@sierrawireless.com</a>  |                                                                                       |
| Fax:               | 1-604-231-1109                                                              |                                                                                       |
| Web:               | <a href="http://www.sierrawireless.com/">http://www.sierrawireless.com/</a> |                                                                                       |

Consult our website for up-to-date product descriptions, documentation, application notes, firmware upgrades, troubleshooting tips, and press releases: [www.sierrawireless.com](http://www.sierrawireless.com)

# Document History

| Revision | Date            | History                                                                                                                                                                                                                                                                                                                                                                                                                                                        |
|----------|-----------------|----------------------------------------------------------------------------------------------------------------------------------------------------------------------------------------------------------------------------------------------------------------------------------------------------------------------------------------------------------------------------------------------------------------------------------------------------------------|
| 001      | January 6, 2012 | <p>New command<br/>WSAPPI command</p> <p>Updated commands<br/>+CRSM +CPBS<br/>Request Identification Information<br/>+WMFM<br/>+WDSO<br/>+WDSH<br/>+WDM<br/>+CPOL<br/>+CPLS<br/>+WOPEN<br/>+WUSB<br/>+WMBN<br/>+WALS<br/>+CPHS</p> <p>Q24 and Q26 removal: WGPRS, +SPEAKER, +CLVL, +SIDET, +VGR, +VGT, +WDGR, +DAC + minor modifications on other commands</p> <p>Appendix Chapter 3.9.3 USB Restriction added</p> <p>Removed commands<br/>+WTMR<br/>+WUBS</p> |
| 2.0      | May 21, 2012    | <p>New commands<br/>+WECC</p> <p>Updated commands<br/>+CREG<br/>+CCED<br/>+CGCLASS<br/>+WGPRS<br/>+COPS<br/>+W32K</p> <p>Removed commands<br/>GPRS commands:<br/>+WWSM<br/>+CGEQREQ<br/>+CGEQMIN<br/>+CGEQNEG</p>                                                                                                                                                                                                                                              |

| Revision | Date               | History                                                                                                                                                                                                                                                                                                                                                                                                                                                                                                                                                                                                                                                                                                                         |
|----------|--------------------|---------------------------------------------------------------------------------------------------------------------------------------------------------------------------------------------------------------------------------------------------------------------------------------------------------------------------------------------------------------------------------------------------------------------------------------------------------------------------------------------------------------------------------------------------------------------------------------------------------------------------------------------------------------------------------------------------------------------------------|
| 3.0      | November 16, 2012  | <p>Legal boilerplate updated</p> <p>New commands:</p> <ul style="list-style-type: none"> <li>• AT+WLEERR</li> <li>• Remote debug AT+WRDS</li> <li>• Services Management +WDSM</li> </ul> <p>Updated commands:</p> <ul style="list-style-type: none"> <li>• +WOPEN</li> <li>• +CEER</li> <li>• +CGDCONT</li> <li>• +WECC</li> <li>• +WPGR</li> <li>• +WMGO</li> <li>• +VGT</li> <li>• +SPEAKER</li> <li>• +VGT</li> </ul> <p>Appendix update:<br/>ERROR 515</p>                                                                                                                                                                                                                                                                  |
| 4.0      | April 3, 2013      | <p>Modifications to include SL808xT, AirPrime, and Q2698 requirements</p> <p>Legal boilerplate updated Trademarks modification</p>                                                                                                                                                                                                                                                                                                                                                                                                                                                                                                                                                                                              |
| 5.0      | September 16, 2013 | <p>Legal boilerplate updated.</p> <p>New commands:</p> <ul style="list-style-type: none"> <li>• +WTEMP</li> </ul> <p>Updates</p> <ul style="list-style-type: none"> <li>• Abbreviations table (definitions added)</li> <li>• Section 1.6: AT Commands Applicability</li> <li>• The following commands: <ul style="list-style-type: none"> <li>• +WHCFN</li> <li>• +WBHV</li> <li>• +CPOF</li> <li>• +CFUN</li> <li>• +WMFM</li> <li>• +CREG</li> <li>• +CCED</li> <li>• +WPOW</li> <li>• +CRSL</li> <li>• +VGR</li> <li>• +WDGR</li> <li>• +WDGT</li> <li>• +WADF</li> <li>• +ECHO</li> <li>• +WDTMF</li> <li>• +WSST</li> <li>• +CRMP</li> <li>• +WADS</li> </ul> </li> <li>• Appendix sections 3.1.1.3 and 3.1.1.4</li> </ul> |

| Revision | Date             | History                                                                                                                                                                                                                                                                                                                                                                                                                                                                                                                                                                                                                                                                                                               |
|----------|------------------|-----------------------------------------------------------------------------------------------------------------------------------------------------------------------------------------------------------------------------------------------------------------------------------------------------------------------------------------------------------------------------------------------------------------------------------------------------------------------------------------------------------------------------------------------------------------------------------------------------------------------------------------------------------------------------------------------------------------------|
| 6.0      | October 25, 2013 | <p>New commands:</p> <ul style="list-style-type: none"> <li>•</li> </ul> <p>Updated commands:</p> <ul style="list-style-type: none"> <li>• +UGD</li> <li>• +WIPS</li> <li>• +CPHS</li> <li>• +WRIM</li> <li>• +CLCK</li> <li>• +WCLCK</li> <li>• +GGSMS</li> <li>• +CHLD</li> <li>• +WIPC</li> <li>• +WCTM</li> <li>• +CSMP</li> <li>• +CMUX</li> <li>• +WMFM</li> <li>• +WBHV</li> <li>• +WDDM</li> <li>• +WRDS</li> <li>• SLEEP Mode +W32k</li> <li>• +COPS</li> <li>• +CMGR</li> <li>• +WDSM and +WDSS</li> <li>• +CEER</li> <li>• +CMER</li> <li>• +ECHO</li> <li>•</li> </ul> <p>Appendix update:<br/>Specific Failure Causes for +CEER<br/>ERROR codes added: 565, 566, 568<br/>Applicability Table updated</p> |

## Overview

The aim of this document is to provide Sierra Wireless customers with a full description of the AT commands associated with the Firmware 7.52 software release.

---

*Note: Though all features are documented in this manual, new features may still be in beta stage at publication and therefore may not yet be validated. Please refer to the Customer Release Note for complete and detailed information regarding beta and validated features at time of release.*

---

# Contents

## INTERFACE GUIDE

### VOLUME 1

1. Introduction
2. AT Commands Features
3. Basic Commands
4. Identifications Commands
5. Open AT Application Framework Commands
6. Global Configuration Commands
7. Embedded Module Status Commands
8. Serial Port Commands
9. Security Commands
10. Time Management Commands

### VOLUME 2

11. GSM Network Commands
12. Call Control Commands
13. Data Commands
14. GPRS Commands
15. PLMN Commands

### VOLUME 3

16. Phonebooks Commands
17. Short message Commands
18. SIM Commands
19. SIM ToolKit Commands
20. Supplementary Services Commands

### VOLUME 4

21. Audio Commands
22. I/O Commands
23. Battery Commands
24. CPHS Commands
25. Fax Commands
26. Fax class 2 Commands
27. Remote Device Management Services Commands

### APPENDIX

1. Codes and Values
2. Examples
3. Technical Appendixes
4. Interoperability
5. AirPrime Management Services





# AT Commands Interface Guide for Firmware 7.52

**Volume 1**



**SIERRA**  
WIRELESS

4111843  
6.0  
October 25, 2013



# Contents

|                                                           |           |
|-----------------------------------------------------------|-----------|
| <b>CONTENTS .....</b>                                     | <b>2</b>  |
| <b>1. INTRODUCTION .....</b>                              | <b>5</b>  |
| 1.1. Scope of this Document .....                         | 5         |
| 1.2. Related Documents .....                              | 6         |
| 1.3. ETSI Secretariat .....                               | 8         |
| 1.4. Abbreviations and Definitions .....                  | 9         |
| 1.5. AT Commands Presentation Rules .....                 | 14        |
| 1.6. AT Commands Applicability .....                      | 15        |
| <b>2. AT COMMANDS FEATURES .....</b>                      | <b>29</b> |
| 2.1. Sierra Wireless Line Settings .....                  | 29        |
| 2.2. Command Line .....                                   | 29        |
| 2.3. Information Responses and Result Codes .....         | 29        |
| 2.4. Proprietary Commands .....                           | 29        |
| 2.5. SIM Insertion and Removal .....                      | 30        |
| 2.6. Background Initialization .....                      | 30        |
| 2.7. Length of Phone Numbers .....                        | 31        |
| 2.8. Bad Software Message .....                           | 31        |
| 2.9. Commands Concatenation .....                         | 32        |
| <b>3. BASIC COMMANDS .....</b>                            | <b>34</b> |
| 3.1. Attention Command AT .....                           | 34        |
| 3.2. Repeat Last Command A/ .....                         | 35        |
| <b>4. IDENTIFICATIONS COMMANDS .....</b>                  | <b>37</b> |
| 4.1. Manufacturer Identification +CGMI .....              | 37        |
| 4.2. Request Model Identification +CGMM .....             | 39        |
| 4.3. Hardware Version +WHWV .....                         | 41        |
| 4.4. Date of Production +WDOP .....                       | 43        |
| 4.5. Write IMEI +WIMEI .....                              | 45        |
| 4.6. Embedded Module Serial Number +WMSN .....            | 47        |
| 4.7. Product Serial Number +CGSN .....                    | 49        |
| 4.8. Request Revision Identification +CGMR .....          | 51        |
| 4.9. Request Identification Information ATI .....         | 53        |
| 4.10. Write IMEI SVN +WSVN .....                          | 58        |
| 4.11. Capabilities List +GCAP .....                       | 60        |
| <b>5. OPEN AT APPLICATION FRAMEWORK COMMANDS .....</b>    | <b>62</b> |
| 5.1. Sierra Wireless Downloading +WDWL .....              | 62        |
| 5.2. Sierra Wireless Open AT Control Command +WOPEN ..... | 64        |
| 5.3. Tasks Resume Command +WOPENRES .....                 | 73        |

---

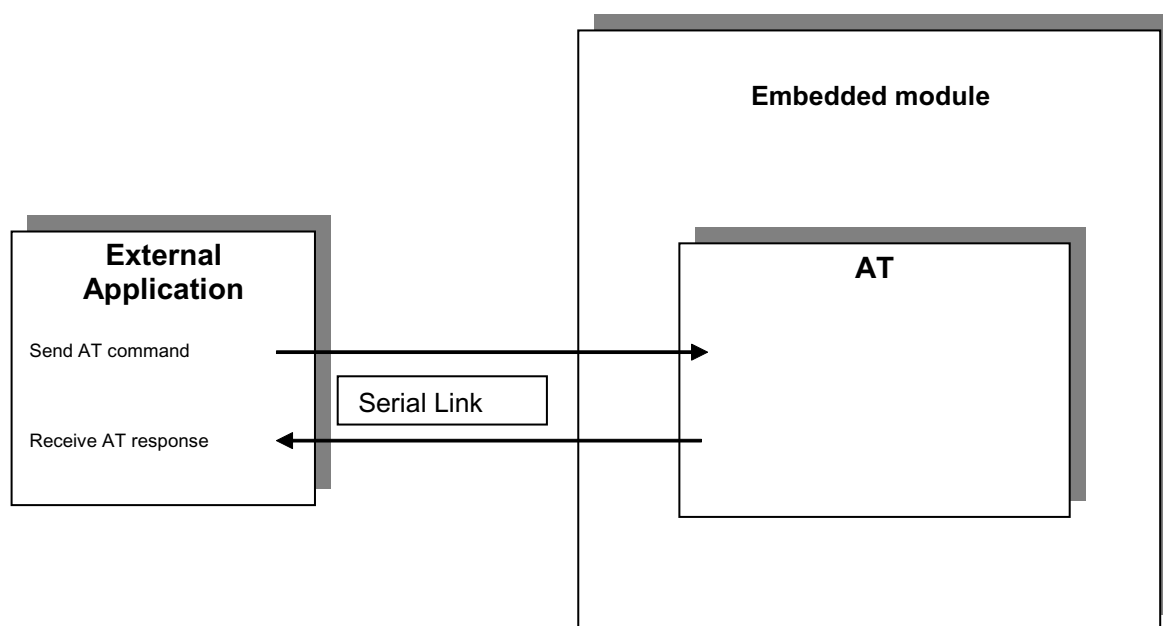
|                                                                |            |
|----------------------------------------------------------------|------------|
| <b>6. GLOBAL CONFIGURATION COMMANDS .....</b>                  | <b>74</b>  |
| 6.1. Report Mobile Equipment Errors +CMEE .....                | 74         |
| 6.2. Hardware Configuration +WHCFN .....                       | 76         |
| 6.3. Embedded Module Behaviour Configuration +WBHV .....       | 85         |
| 6.4. Features Management +WFM .....                            | 95         |
| 6.5. Commercial Feature Management +WCFM .....                 | 99         |
| 6.6. Sierra Wireless SLEEP Mode +W32K .....                    | 102        |
| 6.7. Power Off +CPOF .....                                     | 105        |
| 6.8. Set Phone Functionality +CFUN .....                       | 107        |
| 6.9. Sierra Wireless Reset +WRST .....                         | 110        |
| 6.10. Save Configuration &W .....                              | 112        |
| 6.11. Restore Factory Settings &F .....                        | 114        |
| 6.12. Default Configuration ATZ .....                          | 116        |
| 6.13. Display Configuration &V .....                           | 118        |
| 6.14. Sierra Wireless Custom Character Set +WCCS .....         | 120        |
| 6.15. Select TE Character Set +CSCS .....                      | 123        |
| 6.16. Sierra Wireless Phonebook Character Set +WPCS .....      | 125        |
| 6.17. Set Language +CLAN .....                                 | 127        |
| 6.18. Language Event +CLAE .....                               | 130        |
| 6.19. Select Type of Address +CSTA .....                       | 133        |
| 6.20. Cellular Text Telephone Modem +WCTM .....                | 135        |
| 6.21. Sierra Wireless Debug Interface Management +WDEBUG ..... | 138        |
| 6.22. Remote Debugging Service +WRDS .....                     | 140        |
| 6.23. Digital to Analog Converter +DAC .....                   | 145        |
| 6.24. Automatic Boost Mode +WCPS .....                         | 148        |
| 6.25. Auto Shutdown +WASR .....                                | 152        |
| 6.26. IP Stack Settings +WIPS .....                            | 157        |
| 6.27. Sierra Wireless Development Mode +WDM .....              | 160        |
| <b>7. EMBEDDED MODULE STATUS COMMANDS .....</b>                | <b>163</b> |
| 7.1. General Indications +WIND .....                           | 163        |
| 7.2. Phone Activity Status +CPAS .....                         | 169        |
| 7.3. SIM Holder Status +WSHS .....                             | 171        |
| 7.4. Indicator Control +CIND .....                             | 173        |
| 7.5. Mobile Equipment Event Reporting +CMER .....              | 175        |
| 7.6. Mobile Equipment Control Mode +CMEC .....                 | 178        |
| 7.7. Sierra Wireless Status Request +WSTR .....                | 180        |
| 7.8. Temperature Monitoring Report +WTMR .....                 | 182        |
| 7.9. Temperature Command +WTEMP .....                          | 186        |
| 7.10. Sierra Wireless Critical Error Report +WCER .....        | 187        |
| 7.11. Fatal Error Information +WLERR .....                     | 189        |
| <b>8. SERIAL PORT COMMANDS .....</b>                           | <b>193</b> |

|                    |                                                |            |
|--------------------|------------------------------------------------|------------|
| 8.1.               | Echo ATE .....                                 | 193        |
| 8.2.               | Fixed DTE Rate +IPR.....                       | 195        |
| 8.3.               | DTE-DCE Character Framing +ICF .....           | 198        |
| 8.4.               | DTE-DCE Local Flow Control +IFC.....           | 201        |
| 8.5.               | Result Code Suppression ATQ .....              | 203        |
| 8.6.               | DCE Response Format ATV .....                  | 205        |
| 8.7.               | Set DCD Signal &C .....                        | 207        |
| 8.8.               | Set DTR Signal &D.....                         | 209        |
| 8.9.               | Set DSR Signal &S.....                         | 211        |
| 8.10.              | Sierra Wireless Ring Indicator Mode +WRIM..... | 213        |
| 8.11.              | Back to Online Mode ATO.....                   | 217        |
| 8.12.              | Multi-Flow Management +WMFM .....              | 218        |
| 8.13.              | Multiplexing Mode +CMUX.....                   | 223        |
| 8.14.              | Sierra Wireless USB Configuration +WUSB .....  | 226        |
| <b>9.</b>          | <b>SECURITY COMMANDS .....</b>                 | <b>231</b> |
| 9.1.               | Enter PIN +CPIN .....                          | 231        |
| 9.2.               | Enter PIN2 +CPIN2 .....                        | 234        |
| 9.3.               | PIN Remaining Attempt Number +CPINC.....       | 236        |
| 9.4.               | Change Password +CPWD .....                    | 238        |
| 9.5.               | Facility Lock +CLCK.....                       | 241        |
| 9.6.               | Sierra Wireless LoCK +WLCK .....               | 244        |
| <b>10.</b>         | <b>TIME MANAGEMENT COMMANDS.....</b>           | <b>247</b> |
| 10.1.              | Clock Management +CCLK.....                    | 247        |
| 10.2.              | Alarm Management +CALA .....                   | 249        |
| <b>INDEX .....</b> |                                                | <b>251</b> |

# >> 1. Introduction

## 1.1. Scope of this Document

This document describes the AT-command based messages exchanged between an application and Sierra Wireless products in order to manage GSM/GPRS related events or services.



## 1.2. Related Documents

This interface specification is based on the following recommendations:

- [1] ETSI GSM 07.05: *Digital cellular telecommunications system (Phase 2); Use of DTE-DCE interface for Short Message Service (SMS) and Cell Broadcast Service (CBS)*
- [2] ETSI GSM 07.07: *Digital cellular telecommunications system (Phase 2); AT command set for GSM Mobile Equipment (ME)*
- [3] ITU-T Recommendation V.25 ter: *Serial asynchronous automatic dialing and control*
- [4] ETSI GSM 03.40: *Digital cellular telecommunications system (Phase 2); Technical implementation of the Short Message Service (SMS) Point-to-Point (PP)*
- [5] ETSI GSM 03.38: *Digital cellular telecommunications system (Phase 2); Alphabets and language-specific information*
- [6] ETSI GSM 04.80: *Digital cellular telecommunications system (Phase 2); Mobile radio interface layer 3, Supplementary service specification, Formats and coding*
- [7] 3GPP 05.02: *3<sup>rd</sup> Generation Partnership Project; Technical Specification Group GSM/EDGE- Radio Access Network; Multiplexing and multiple access on the radio path – 3GPP TS 05.02 V6.9.2 (2001-04)*
- [8] 3GPP 24.008: *Mobile radio interface Layer 3 specification; Core network protocols; Stage 3*
- [9] 3GPP TS 11.11 *Specification of the Subscriber Identity Module - Mobile Equipment (SIM-ME) Interface*
- [10] 3GPP TS 05.08 *Radio subsystem link control*
- [11] 3GPP TS 23.040 *Technical realization of the Short Message Service (SMS);*
- [12] 3GPP TS 22.042 *Network Identity and Time Zone (NITZ) service description; Stage 1*
- [13] 3GPP TS 51.011 *Specification of the Subscriber Identity Module - Mobile Equipment (SIM-ME) interface*
- [14] 3GPP TS 27-010 *Terminal Equipment to User Equipment (TE-UE) multiplexer protocol*
- [15] 3GPP 23.014 *Support of Dual Tone Multi Frequency (DTMF) signaling*
- [16] ISO 639 *Langages Codes*
- [17] 3GPP 27 060 *Packet domain; Mobile Station (MS) supporting Packet Switched services*
- [18] 3GPP TS 23.038 *Alphabets and language-specific information*
- [19] GPP TS 27.005 *Use of Data Terminal Equipment - Data Circuit terminating Equipment (DTE-DCE) interface for Short Message Service (SMS) and Cell Broadcast Service (CBS)*
- [20] ETSI GSM 11.14 *Digital cellular telecommunications system (Phase 2+); Specification of the SIM Application Toolkit for the Subscriber Identity Module - Mobile Equipment (SIM - ME) interface*
- [21] 3GPP TS 23.003 *Digital cellular telecommunications system (Phase 2+) (GSM); Numbering, addressing and identification*
- [22] ETSI GSM 02.24 *Digital cellular telecommunications system (Phase 2+) (GSM);Description of Charge Advice Information (CAI)*
- [23] ETSI GSM 02.86 *Digital cellular telecommunications system (Phase 2+) (GSM);Advice of Charge (AoC) Supplementary Services - Stage 1*
- [24] ETSI GSM 02.90 *Digital cellular telecommunications system (Phase 2+) (GSM);Unstructured Supplementary Service Data (USSD) - Stage 1*
- [25] ETSI GSM 02.85 *Digital cellular telecommunications system (Phase 2+) (GSM);Closed User Group (CUG) Supplementary Services - Stage 1*

- [26] 3GPP 27.007: Digital cellular telecommunications system (Phase 2+) (GSM); AT command set for 3GPP User Equipment (UE) (Release 1999)*
- [27] 3GPP 23.107: Universal Mobile Telecommunications System (UMTS); QoS Concept and Architecture (Release 1999)*
- [28] 3GPP 24.008: European digital cellular telecommunication system (Phase 2+). Mobile radio interface layer 3 specification. (Release 1999)*
- [29] ETSI TS 102 221 "Smart Cards; UICC-Terminal interface; Physical and logical characteristics (Release 1999)".*

## 1.3. ETSI Secretariat

The following addresses may be of use in obtaining the latest GSM/GPRS recommendations:

**Postal address:** F-06921 Sophia Antipolis CEDEX – France

**Office address:** 650 Route des Lucioles – Sophia Antipolis – Valbonne – France

**Web address:** <http://www.etsi.org/>

**Tel:** +33 4 92 94 42 00

**Fax:** +33 4 93 65 47 16



## 1.4. Abbreviations and Definitions

### 1.4.1. Abbreviations

| Abbreviation | Definition                                                                                    |
|--------------|-----------------------------------------------------------------------------------------------|
| ACM          | Accumulated Call Meter                                                                        |
| ADC          | Analog Digital Converter                                                                      |
| ADN          | Abbreviated Dialing Number (Phonebook)                                                        |
| AMR          | Adaptive Multi-Rate                                                                           |
| AMR-FR       | AMR Full Rate (full rate speech version 3)                                                    |
| AMR-HR       | AMR Half Rate (half rate speech version 3)                                                    |
| AOC          | Advice Of Charge                                                                              |
| APN          | Access Point Name                                                                             |
| ARN          | Address Resolution Protocol                                                                   |
| ARFCN        | Absolute Radio Frequency Channel Number                                                       |
| ASCII        | American Standard Code for Information Interchange, Standard characters table (1 byte coding) |
| AT           | ATtention; Hayes Standard AT command Set                                                      |
| BCCH         | Broadcast Channel                                                                             |
| BER          | Bit Err Rate                                                                                  |
| BM           | Broadcoast Message Storage                                                                    |
| CBM          | Cell Broadcast Message                                                                        |
| CB           | Cell Broadcast                                                                                |
| CCK          | Corporate Control Key                                                                         |
| CCM          | Current Call Meter                                                                            |
| CHV          | Card Holder Verification                                                                      |
| CHAP         | Challenge handshake Authentication Protocol                                                   |
| CI           | Cell Identifier                                                                               |
| CLI          | Client Line Identification                                                                    |
| CLIP         | Calling Line Identification Presentation                                                      |
| CLIR         | Calling Line Identification Restriction                                                       |
| CNL          | Cooperative Network List                                                                      |
| CODEC        | Coder Decoder                                                                                 |
| COLP         | Connected Line Identification Presentation                                                    |
| CPHS         | Common PCN Handset Specification                                                              |
| CPU          | Central Processing Unit                                                                       |
| CSD          | Circuit Switched Data                                                                         |
| CSP          | Customer Service Profile                                                                      |
| CTM          | Cellular Text telephone Modem                                                                 |
| CTS          | Clear To Send signal                                                                          |
| CUG          | Closed User Group                                                                             |
| DAC          | Digital to Analog Converter                                                                   |

| Abbreviation  | Definition                                      |
|---------------|-------------------------------------------------|
| DTR           | Data Terminal Ready                             |
| DCS           | Digital Cellular System                         |
| DCE           | Data Circuit Equipment                          |
| DCD           | Data Carrier Detect                             |
| DLC           | Data Link Connection                            |
| DLCI          | Data Link Connection Identifier                 |
| DM            | Device Management                               |
| DNS           | Domain Name System                              |
| DSR           | Data Set Ready                                  |
| DTE           | Date Terminal Equipment                         |
| DTMF          | Dual Tone Multi-Frequency                       |
| DTR           | Data Terminal Ready                             |
| ECC           | Emergency Call Codes                            |
| ECM           | Error Correction Mode                           |
| ECT           | Explicit Call Transfer                          |
| EDGE          | Enhanced Data rates for GSM Evolution           |
| EEPROM        | Electrically Erasable Programming Only Memory   |
| EF            | Elementary Files                                |
| EFR           | Enhanced Full Rate (full rate speech version 2) |
| EGPRS         | Enhanced GPRS                                   |
| ENS           | Enhanced Network Selection                      |
| E-ONS         | Enhanced Operator Name Service                  |
| ERMES         | European Radio Messaging System                 |
| ETSI          | European Telecommunications Standards Institute |
| FD            | FIFO depth                                      |
| FDN           | Fixed Dialing Number (Phonebook)                |
| FR            | Full Rate (full rate speech version 1)          |
| GERAN         | GSM EDGE Radio Access Network                   |
| GPIO          | General Purpose Input Output                    |
| GPRS          | General Packet Radio Service                    |
| GSM           | Global System for Mobile communication          |
| HDLC          | High-level Data Link Control                    |
| HFR           | High Frequency Regeneration                     |
| HLR           | Home Location Register                          |
| HR            | Half Rate (half rate speech version 1)          |
| HSDPA         | High Speed Downlink Packet Access               |
| HSUPA         | High Speed Uplink Packet Access                 |
| ID            | IDentifier                                      |
| IETF          | Internet TEngineering Task ForceT               |
| IMEI          | International Mobile Equipment Identity         |
| IMSI          | International Mobile Subscriber Identity        |
| IN/OUT/IN_OUT | In, out or In Out. see glossary                 |
| I/O           | Input/Output                                    |

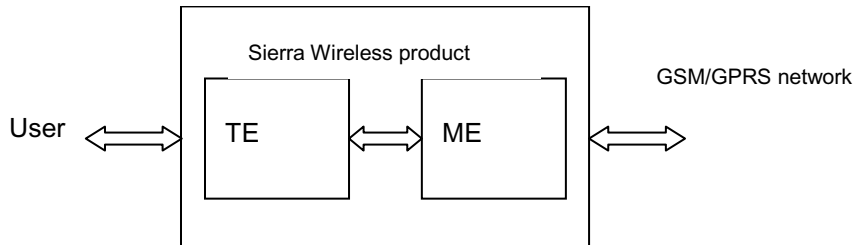
| Abbreviation | Definition                                                                                   |
|--------------|----------------------------------------------------------------------------------------------|
| IP           | Internet Protocol                                                                            |
| LAC          | Local Area Code                                                                              |
| LED          | Light Emitting Diode                                                                         |
| LND          | Last Number Dialed                                                                           |
| LP           | Language Preferred                                                                           |
| LPI          | Lines Per Inch                                                                               |
| M            | Mandatory                                                                                    |
| MCC          | Mobile Country Code                                                                          |
| ME           | Mobile Equipment                                                                             |
| MMI          | Man Machine Interface                                                                        |
| MNC          | Mobile Network Code                                                                          |
| MNP          | Microcom Networking Protocol                                                                 |
| MO           | Mobile Originated                                                                            |
| MOC          | Mobile Originated Call (outgoing call)                                                       |
| MS           | Mobile Station                                                                               |
| MSB          | Most Significant Bit                                                                         |
| MSISDN       | Mobile Station International ISDN Number                                                     |
| MT           | Mobile Terminal                                                                              |
| MTC          | Mobile Terminated Call (incoming call)                                                       |
| N.A.         | Not applicable                                                                               |
| NCK          | Network Control Key                                                                          |
| NITZ         | Network Information and Time Zone                                                            |
| NSCK         | Network Subset Control Key                                                                   |
| NTC          | Negative Temperature Coefficient                                                             |
| N.U.         | Not used                                                                                     |
| O            | Optional                                                                                     |
| OA           | Outgoing Access                                                                              |
| OPL          | Operator PLMN List                                                                           |
| OS           | Operating System                                                                             |
| OTA          | Over the Air                                                                                 |
| PAD          | Portable Application Description                                                             |
| PAP          | Password Authentication Protocol                                                             |
| PC           | Personal Computer                                                                            |
| PCCP         | PC character set Code Page                                                                   |
| PCK          | Personalization Control Key                                                                  |
| PCL          | Power Control Level                                                                          |
| PCM          | Protection Circuit Module                                                                    |
| PCN          | Personal Communication Network                                                               |
| PCS 1900     | Personal Communication Service (GSM system offering 148 full duplex voice channels per cell) |
| PDP          | Packet Data Protocol                                                                         |
| PDU          | Protocol Description Unit                                                                    |
| PIN          | Personal Identification Number                                                               |

| Abbreviation | Definition                                                |
|--------------|-----------------------------------------------------------|
| PLMN         | Public Land Mobile Networks                               |
| PNN          | PLMN Network Name                                         |
| PPP          | Point-to-Point Protocol<br>Peer to Peer                   |
| PSTN         | Public Switched Telephone Network                         |
| PTS          | Product Technical Specification                           |
| PUCT         | Price per Unit and Currency Table                         |
| PUK          | PIN Unlock Key                                            |
| QoS          | Quality of Service                                        |
| RAM          | Random Access Memory                                      |
| RDMS         | Remote Device Management Services                         |
| RI           | Ring Indicator                                            |
| RIL          | Radio Interface Layer                                     |
| RLP          | Radio Link Protocol                                       |
| RSSI         | Received Signal Strength Indication                       |
| RTS          | Ready To Send signal                                      |
| RX           | Reception                                                 |
| SAP          | Service Access Point                                      |
| SC           | Service Center                                            |
| SDU          | Service Data Unit                                         |
| SIM          | Subscriber Information Module                             |
| SMSR         | Short Message Status Report                               |
| SMS          | Short Message Service                                     |
| SS           | Supplementary Services                                    |
| SPCK         | Service Provider Control Key                              |
| SPN          | Service Provider Name                                     |
| STK          | Sim ToolKit                                               |
| SVN          | Software Version Number                                   |
| TA           | Terminal Adaptor                                          |
| TBF          | Temporary Block Flow                                      |
| TE           | Terminal Equipment                                        |
| TTY          | TeleTYpe                                                  |
| TON/NPI      | Type Of Number/Numbering Plan Identification              |
| TX           | Transmission                                              |
| UART         | Universal Asynchronous Receiver Transmitter               |
| UCS2         | Universal Character Set 2 Character table (2-byte coding) |
| UDUB         | User Determined User Busy                                 |
| UIH          | Unnumbered Information with Header check                  |
| UMTS         | Universal Mobile Telecommunication System                 |
| USB          | Universal Serial Bus                                      |
| USSD         | Unstructured Supplementary Service Data                   |
| UTRAN        | Universal Terrestrial Radio Access Network                |

## 1.4.2. Definitions

The words "Mobile Station" (MS) or "Mobile Equipment" (ME) are used for mobile terminals supporting GSM/GPRS services.

Terminal Equipment is the Man-Machine Interface of a GSM/GPRS device (modem or handset). A TE can be a handset MMI or the AT command line interface.



A call from a GSM/GPRS mobile station to the PSTN is called a "mobile originated call" (MOC) or "outgoing call", and a call from a fixed network to a GSM/GPRS mobile station is called a "mobile terminated call" (MTC) or "incoming call"

In this document, the word "product" refers to any Sierra Wireless product supporting the AT commands interface.

## 1.4.3. Logos



This picture indicates the +WIND indication from which the AT command is allowed. X values can be: 1, 3, 4, 16.



This picture indicates that a SIM card must be inserted to support the AT command.



This picture indicates that an AT command is supported even if the SIM card is absent.



This picture indicates that the PIN 1 /CHV 1 code must be entered to support the AT command.



This picture indicates that an AT command is supported even if the PIN 1 /CHV 1 code is not entered.



This picture indicates that the PIN 2 /CHV 2 code must be entered to support the AT command.



This picture indicates that an AT command is supported even if the PIN 2/CHV 2 code is not entered.



This picture indicates that the AT command is available using the AirPrime Management Services.

## 1.5. AT Commands Presentation Rules

The AT commands are presented in the present documentation as follows:

- A "Description" section provides general information on the AT command (or response) behaviour.
- A "Syntax" section describes the command and response syntaxes and all parameters description.
- A "Parameters and Defined Values" section describes all parameters and values.
- A "Parameter Storage" presents the command used to store the parameter value and/or the command used to restore the parameter default value.
- An "Examples" section presents the real use of the described command.
- A "Note" section can also be included indicating some remarks about the command use.
- Figures are provided where necessary

## 1.6. AT Commands Applicability

The following table presents all available AT Commands, and which are applicable to each product. The table is marked with the indicators below.

●: Fully supported

●: Partially supported or with specific behavior – Please see the Notes section of the corresponding AT command for complete information.

●: Not supported.

| Description                        | Command |  | Q2686,<br>Q2687,<br>SL6087 | AR6220,<br>WP6200 | SL8080T,<br>SL8082T,<br>SL8084T | Q2698 |
|------------------------------------|---------|--|----------------------------|-------------------|---------------------------------|-------|
| <b>Basic Commands</b>              |         |  |                            |                   |                                 |       |
| Attention Command                  |         |  | ●                          | ●                 | ●                               | ●     |
| Available Repeat Last Command      | A/      |  | ●                          | ●                 | ●                               | ●     |
| <b>Identifications commands</b>    |         |  |                            |                   |                                 |       |
| Manufacturer Identification        | +CGMI   |  | ●                          | ●                 | ●                               | ●     |
| Request Model Identification       | +CGMM   |  | ●                          | ●                 | ●                               | ●     |
| Hardware Version                   | +WHWV   |  | ●                          | ●                 | ●                               | ●     |
| Date of Production                 | +WDOP   |  | ●                          | ●                 | ●                               | ●     |
| Write IMEI                         | +WIMEI  |  | ●                          | ●                 | ●                               | ●     |
| Embedded Serial Number             | +WMSN   |  | ●                          | ●                 | ●                               | ●     |
| Product Serial Number              | +CGSN   |  | ●                          | ●                 | ●                               | ●     |
| Request Revision Identification    | +CGMR   |  | ●                          | ●                 | ●                               | ●     |
| Request identification information | I       |  | ●                          | ●                 | ●                               | ●     |
| Write IMEI SVN                     | +WSVN   |  | ●                          | ●                 | ●                               | ●     |
| Capabilities List                  | +GCAP   |  | ●                          | ●                 | ●                               | ●     |
| <b>Open-AT Framework Commands</b>  |         |  |                            |                   |                                 |       |
| Downloading                        | +WDWL   |  | ●                          | ●                 | ●                               | ●     |

| Description                             | Command   |  | Q2686,<br>Q2687,<br>SL6087 | AR6220,<br>WP6200 | SL8080T,<br>SL8082T,<br>SL8084T | Q2698 |
|-----------------------------------------|-----------|--|----------------------------|-------------------|---------------------------------|-------|
| Open-AT control                         | +WOPEN    |  | ●                          | ●                 | ●                               | ●     |
| Tasks resume                            | +WOPENRES |  | ●                          | ●                 | ●                               | ●     |
| <b>Global Configuration Commands</b>    |           |  |                            |                   |                                 |       |
| Report Mobile Equipment Errors          | +CMEE     |  | ●                          | ●                 | ●                               | ●     |
| Hardware Configuration                  | +WHCNF    |  | ●                          | ●                 | ●                               | ●     |
| Embedded Module Behaviour Configuration | +WBHV     |  | ●                          | ●                 | ●                               | ●     |
| Features Management                     | +WFM      |  | ●                          | ●                 | ●                               | ●     |
| Commercial Feature Management           | +WCFM     |  | ●                          | ●                 | ●                               | ●     |
| Sierra Wireless SLEEP Mode              | +W32K     |  | ●                          | ●                 | ●                               | ●     |
| Power Off                               | +CPOF     |  | ●                          | ●                 | ●                               | ●     |
| Set Phone Functionality                 | +CFUN     |  | ●                          | ●                 | ●                               | ●     |
| Sierra Wireless Reset                   | +WRST     |  | ●                          | ●                 | ●                               | ●     |
| Save Configuration                      | &W        |  | ●                          | ●                 | ●                               | ●     |
| Restore Factory Settings                | &F        |  | ●                          | ●                 | ●                               | ●     |
| Default Configuration                   | ATZ       |  | ●                          | ●                 | ●                               | ●     |
| Display Configuration                   | &V        |  | ●                          | ●                 | ●                               | ●     |
| Sierra Wireless Custom Character Set    | +WCCS     |  | ●                          | ●                 | ●                               | ●     |
| Select TE Character Set                 | +CSCS     |  | ●                          | ●                 | ●                               | ●     |
| Sierra Wireless Phonebook Character Set | +WPCS     |  | ●                          | ●                 | ●                               | ●     |
| Set Language                            | +CLAN     |  | ●                          | ●                 | ●                               | ●     |
| Lanaguage Event                         | +CLAE     |  | ●                          | ●                 | ●                               | ●     |
| Select Tyoe of Address                  | +CSTA     |  | ●                          | ●                 | ●                               | ●     |
| Cellular Text Telephone Modem           | +WCTM     |  | ●                          | ●                 | ●                               | ●     |



| Description                                | Command |  | Q2686,<br>Q2687,<br>SL6087 | AR6220,<br>WP6200 | SL8080T,<br>SL8082T,<br>SL8084T | Q2698 |
|--------------------------------------------|---------|--|----------------------------|-------------------|---------------------------------|-------|
| Sierra Wireless Debug Interface Management | +WDEBUG |  | ●                          | ●                 | ●                               | ●     |
| Digital to Analog Converter                | +DAC    |  | ●                          | ●                 | ●                               | ●     |
| Automatic Boost Mode                       | +WCPS   |  | ●                          | ●                 | ●                               | ●     |
| Auto Shutdown                              | +WASR   |  | ●                          | ●                 | ●                               | ●     |
| IP Stack Settings                          | +WIPS   |  | ●                          | ●                 | ●                               | ●     |
| Sierra Wireless Development Mode           | +WDM    |  | ●                          | ●                 | ●                               | ●     |
| <b>Embedded Module Status Commands</b>     |         |  |                            |                   |                                 |       |
| General Indications                        | +WIND   |  | ●                          | ●                 | ●                               | ●     |
| Phone Activity Status                      | +CPAS   |  | ●                          | ●                 | ●                               | ●     |
| SIM Holder Status                          | +WSHS   |  | ●                          | ●                 | ●                               | ●     |
| Indicator Control                          | +CIND   |  | ●                          | ●                 | ●                               | ●     |
| Mobile Equipment Event Reporting           | +CMER   |  | ●                          | ●                 | ●                               | ●     |
| Mobile Equipment Control Mode              | +CMEC   |  | ●                          | ●                 | ●                               | ●     |
| Sierra Wireless Status Request             | +WSTR   |  | ●                          | ●                 | ●                               | ●     |
| Temperature Monitoring Report              | +WTMR   |  | ●                          | ●                 | ●                               | ●     |
| Temperature Command                        | +WTEMP  |  | ●                          | ●                 | ●                               | ●     |
| Sierra Wireless Critical Error Report      | +WCER   |  | ●                          | ●                 | ●                               | ●     |
| <b>Serial Port Commands</b>                |         |  |                            |                   |                                 |       |
| Echo                                       | ATE     |  | ●                          | ●                 | ●                               | ●     |
| Fixed DTE Rate                             | +IPR    |  | ●                          | ●                 | ●                               | ●     |
| DTE-DCE Character Framing                  | +ICF    |  | ●                          | ●                 | ●                               | ●     |
| DTE-DCE Local Flow Control                 | +IFC    |  | ●                          | ●                 | ●                               | ●     |
| Result Code Suppression                    | ATQ     |  | ●                          | ●                 | ●                               | ●     |

| Description                         | Command |  | Q2686,<br>Q2687,<br>SL6087 | AR6220,<br>WP6200 | SL8080T,<br>SL8082T,<br>SL8084T | Q2698 |
|-------------------------------------|---------|--|----------------------------|-------------------|---------------------------------|-------|
| DCE Response Format                 | ATV     |  | ●                          | ●                 | ●                               | ●     |
| Set DCD Signal                      | &C      |  | ●                          | ●                 | ●                               | ●     |
| Set DTR Signal                      | &D      |  | ●                          | ●                 | ●                               | ●     |
| Set DSR Signal                      | &S      |  | ●                          | ●                 | ●                               | ●     |
| Sierra Wireless Ring Indicator Mode | +WRIM   |  | ●                          | ●                 | ●                               | ●     |
| Back to online mode                 | ATO     |  | ●                          | ●                 | ●                               | ●     |
| Multi-flow Management               | +WMFM   |  | ●                          | ●                 | ●                               | ●     |
| Multiplexing Mode                   | +CMUX   |  | ●                          | ●                 | ●                               | ●     |
| Sierra Wireless USB Configuration   | +WUSB   |  | ●                          | ●                 | ●                               | ●     |
| <b>Security Commands</b>            |         |  |                            |                   |                                 |       |
| Enter PIN                           | +CPIN   |  | ●                          | ●                 | ●                               | ●     |
| Enter PIN2                          | +CPIN2  |  | ●                          | ●                 | ●                               | ●     |
| PIN Remaining Attempt Number        | +CPINC  |  | ●                          | ●                 | ●                               | ●     |
| Change Password                     | +CPWD   |  | ●                          | ●                 | ●                               | ●     |
| Facility Lock                       | +CLCK   |  | ●                          | ●                 | ●                               | ●     |
| Sierra Wireless LoCK                | +WLCK   |  | ●                          | ●                 | ●                               | ●     |
| <b>Time Management Commands</b>     |         |  |                            |                   |                                 |       |
| Clock Management                    | +CCLK   |  | ●                          | ●                 | ●                               | ●     |
| Alarm Management                    | +CALA   |  | ●                          | ●                 | ●                               | ●     |
| <b>GSM Network Commands</b>         |         |  |                            |                   |                                 |       |
| Signal Quality                      | +CSQ    |  | ●                          | ●                 | ●                               | ●     |
| Network Registration                | +CREG   |  | ●                          | ●                 | ●                               | ●     |
| Cell Environment description        | +CCED   |  | ●                          | ●                 | ●                               | ●     |

| Description                                      | Command |  | Q2686,<br>Q2687,<br>SL6087 | AR6220,<br>WP6200 | SL8080T,<br>SL8082T,<br>SL8084T | Q2698 |
|--------------------------------------------------|---------|--|----------------------------|-------------------|---------------------------------|-------|
| Sierra Wireless Multi-band Selection Command     | +WMBS   |  | ●                          | ●                 | ●                               | ●     |
| Registration Control                             | +WREGC  |  | ●                          | ●                 | ●                               | ●     |
| Sierra Wireless Location                         | +WLOC   |  | ●                          | ●                 | ●                               | ●     |
| Sierra Wireless Scan                             | +WSCAN  |  | ●                          | ●                 | ●                               | ●     |
| Abort Command                                    | +WAC    |  | ●                          | ●                 | ●                               | ●     |
| Band Services command                            | +WUBS   |  | ●                          | ●                 | ●                               | ●     |
| Wireless Service Management                      | +WWSM   |  | ●                          | ●                 | ●                               | ●     |
| Wireless Power Level                             | +WPOW   |  | ●                          | ●                 | ●                               | ●     |
| Error Code                                       | \$ARMEE |  | ●                          | ●                 | ●                               | ●     |
| <b>Call Control Commands</b>                     |         |  |                            |                   |                                 |       |
| Dial Command to a specific number                | D       |  | ●                          | ●                 | ●                               | ●     |
| Direct Dial Command using phonebook index        | D       |  | ●                          | ●                 | ●                               | ●     |
| Direct Dial Command using a phonebook entry name | D       |  | ●                          | ●                 | ●                               | ●     |
| Redial Last Telephone Number                     | DL      |  | ●                          | ●                 | ●                               | ●     |
| Answer a Call                                    | A       |  | ●                          | ●                 | ●                               | ●     |
| Hang-Up Command                                  | H       |  | ●                          | ●                 | ●                               | ●     |
| Sierra Wireless Hang-up                          | +WATH   |  | ●                          | ●                 | ●                               | ●     |
| Remote disconnection                             |         |  | ●                          | ●                 | ●                               | ●     |
| Extended Error Report                            | +CEER   |  | ●                          | ●                 | ●                               | ●     |
| Automatic Dialing with DTR                       | %Dn     |  | ●                          | ●                 | ●                               | ●     |
| Automatic Answer                                 | S0      |  | ●                          | ●                 | ●                               | ●     |
| Incoming Call Bearer                             | +CICB   |  | ●                          | ●                 | ●                               | ●     |
| Single Numbering Scheme                          | +CSNS   |  | ●                          | ●                 | ●                               | ●     |

| Description                              | Command  |  | Q2686,<br>Q2687,<br>SL6087 | AR6220,<br>WP6200 | SL8080T,<br>SL8082T,<br>SL8084T | Q2698 |
|------------------------------------------|----------|--|----------------------------|-------------------|---------------------------------|-------|
| Service Reporting Control                | +CR      |  | ●                          | ●                 | ●                               | ●     |
| Cellular Result Codes                    | +CRC     |  | ●                          | ●                 | ●                               | ●     |
| <b>Data Commands</b>                     |          |  |                            |                   |                                 |       |
| Bearer Type Selection                    | +CBST    |  | ●                          | ●                 | ●                               | ●     |
| DTE-DCE Local Rate Reporting             | +ILRR    |  | ●                          | ●                 | ●                               | ●     |
| Radio Link Protocol Parameters           | +CRLP    |  | ●                          | ●                 | ●                               | ●     |
| Other Radio Link Parameters              | +DOPT    |  | ●                          | ●                 | ●                               | ●     |
| Select Mode                              | +FCLASS  |  | ●                          | ●                 | ●                               | ●     |
| Select Data Compression                  | %C       |  | ●                          | ●                 | ●                               | ●     |
| V42 Bis Data Compression                 | +DS      |  | ●                          | ●                 | ●                               | ●     |
| V42 Bis Data Compression Report          | +DR      |  | ●                          | ●                 | ●                               | ●     |
| Select Data Error Correcting Mode        | \N       |  | ●                          | ●                 | ●                               | ●     |
| <b>GPRS Commands</b>                     |          |  |                            |                   |                                 |       |
| GPRS Mobile Station Class                | +CGCLASS |  | ●                          | ●                 | ●                               | ●     |
| GPRS parameters customization            | +WGPRS   |  | ●                          | ●                 | ●                               | ●     |
| Define PDP Context                       | +CGDCONT |  | ●                          | ●                 | ●                               | ●     |
| GPRS Attach or Detach                    | +CGATT   |  | ●                          | ●                 | ●                               | ●     |
| PDP Context Activate or Deactivate       | +CGACT   |  | ●                          | ●                 | ●                               | ●     |
| Request GPRS IP Service D                | D        |  | ●                          | ●                 | ●                               | ●     |
| Enter Data State                         | +CGDATA  |  | ●                          | ●                 | ●                               | ●     |
| GPRS Hang-Up Command GH                  | GH       |  | ●                          | ●                 | ●                               | ●     |
| Network requested PDP context activation |          |  | ●                          | ●                 | ●                               | ●     |

| Description                                                            | Command  |  | Q2686,<br>Q2687,<br>SL6087 | AR6220,<br>WP6200 | SL8080T,<br>SL8082T,<br>SL8084T | Q2698 |
|------------------------------------------------------------------------|----------|--|----------------------------|-------------------|---------------------------------|-------|
| Manual Response to a Network Request for PDP Manual Context Activation | +CGANS   |  | ●                          | ●                 | ●                               | ●     |
| Automatic Response to a Network Request for PDP Context Activation     | +CGAUTO  |  | ●                          | ●                 | ●                               | ●     |
| Quality of Service Profile (Minimum acceptable)                        | +CGQMIN  |  | ●                          | ●                 | ●                               | ●     |
| Quality of Service Profile (Requested)                                 | +CRQREQ  |  | ●                          | ●                 | ●                               | ●     |
| PDP Context Modify                                                     | +CGCMOD  |  | ●                          | ●                 | ●                               | ●     |
| GPRS network registration status                                       | +CGREG   |  | ●                          | ●                 | ●                               | ●     |
| GPRS Event reporting                                                   | +CGEREP  |  | ●                          | ●                 | ●                               | ●     |
| Select Service for MO SMS Messages                                     | +CGSMS   |  | ●                          | ●                 | ●                               | ●     |
| Show PDP Address                                                       | +CGPADDR |  | ●                          | ●                 | ●                               | ●     |
| GSM/GPRS Tx Burst Indication                                           | +WTBI    |  | ●                          | ●                 | ●                               | ●     |
| 3G Quality of Service Profile (Requested)                              | +CGEQREQ |  | ●                          | ●                 | ●                               | ●     |
| 3G Quality of Service Profile (Minimum acceptable)                     | +CGEQMIN |  | ●                          | ●                 | ●                               | ●     |
| 3G Quality of Service Profile (Negotiated)                             | +CGEQNEG |  | ●                          | ●                 | ●                               | ●     |
| Authentication Protocol                                                | +WPPP    |  | ●                          | ●                 | ●                               | ●     |
| <b>PLMN Commands</b>                                                   |          |  |                            |                   |                                 |       |
| Selection of Preferred PLMN list                                       | +CPLS    |  | ●                          | ●                 | ●                               | ●     |
| Operator Selection                                                     | +COPS    |  | ●                          | ●                 | ●                               | ●     |
| Preferred Operator List                                                | +CPOL    |  | ●                          | ●                 | ●                               | ●     |
| Operator List Management                                               | +WOLM    |  | ●                          | ●                 | ●                               | ●     |
| Read Operator Name                                                     | +WOPN    |  | ●                          | ●                 | ●                               | ●     |
| Read Operator Name                                                     | +COPN    |  | ●                          | ●                 | ●                               | ●     |

| Description                         | Command |  | Q2686,<br>Q2687,<br>SL6087 | AR6220,<br>WP6200 | SL8080T,<br>SL8082T,<br>SL8084T | Q2698 |
|-------------------------------------|---------|--|----------------------------|-------------------|---------------------------------|-------|
| Automatic Time Zone Update          | +CTZU   |  | ●                          | ●                 | ●                               | ●     |
| AT&T Command                        | +PACSP  |  | ●                          | ●                 | ●                               | ●     |
| <b>Phonebooks Commands</b>          |         |  |                            |                   |                                 |       |
| Select Phonebook Memory Storage     | +CPBS   |  | ●                          | ●                 | ●                               | ●     |
| Contact Selector                    | +WCOS   |  | ●                          | ●                 | ●                               | ●     |
| Write Phonebook Entry               | +CPBW   |  | ●                          | ●                 | ●                               | ●     |
| Read Phonebook Entries              | +CPBR   |  | ●                          | ●                 | ●                               | ●     |
| Find Phonebook Entries              | +CPBF   |  | ●                          | ●                 | ●                               | ●     |
| Phonebook Phone Search              | +CPBP   |  | ●                          | ●                 | ●                               | ●     |
| Move Action in Phonebook            | +CPBN   |  | ●                          | ●                 | ●                               | ●     |
| Create and Delete a Phonebook Group | +WPGW   |  | ●                          | ●                 | ●                               | ●     |
| Read a Phonebook Group              | +WPGR   |  | ●                          | ●                 | ●                               | ●     |
| Settings of a Group                 | +WPGS   |  | ●                          | ●                 | ●                               | ●     |
| Delete Calls Phonebook              | +WDCP   |  | ●                          | ●                 | ●                               | ●     |
| Subscriber Number                   | +CNUM   |  | ●                          | ●                 | ●                               | ●     |
| Set Voice Mail Number               | +CSVM   |  | ●                          | ●                 | ●                               | ●     |
| Avoid Phonebook Init                | +WAIP   |  | ●                          | ●                 | ●                               | ●     |
| <b>Short Message Commands</b>       |         |  |                            |                   |                                 |       |
| Select Message Service              | +CSMS   |  | ●                          | ●                 | ●                               | ●     |
| New Message Indication              | +CNMI   |  | ●                          | ●                 | ●                               | ●     |
| Set Text Mode Parameters            | +CSMP   |  | ●                          | ●                 | ●                               | ●     |
| Preferred Message Format            | +CMGF   |  | ●                          | ●                 | ●                               | ●     |
| Preferred Message Storage           | +CPMS   |  | ●                          | ●                 | ●                               | ●     |

| Description                         | Command |  | Q2686,<br>Q2687,<br>SL6087 | AR6220,<br>WP6200 | SL8080T,<br>SL8082T,<br>SL8084T | Q2698 |
|-------------------------------------|---------|--|----------------------------|-------------------|---------------------------------|-------|
| Service Center Address              | +CSCA   |  | ●                          | ●                 | ●                               | ●     |
| Show Text Mode Parameters           | +CSDH   |  | ●                          | ●                 | ●                               | ●     |
| More Messages to Send               | +CMMS   |  | ●                          | ●                 | ●                               | ●     |
| Send Message                        | +CMGS   |  | ●                          | ●                 | ●                               | ●     |
| Write Message to Memory             | +CMGW   |  | ●                          | ●                 | ●                               | ●     |
| Send Message From Storage           | +CMSS   |  | ●                          | ●                 | ●                               | ●     |
| Read Message                        | +CMGR   |  | ●                          | ●                 | ●                               | ●     |
| List Message                        | +CMGL   |  | ●                          | ●                 | ●                               | ●     |
| Delete Message                      | +CMGD   |  | ●                          | ●                 | ●                               | ●     |
| New Message Acknowledgement         | +CNMA   |  | ●                          | ●                 | ●                               | ●     |
| Message Status Modification         | +WMSC   |  | ●                          | ●                 | ●                               | ●     |
| Un-change SMS Status                | +WUSS   |  | ●                          | ●                 | ●                               | ●     |
| Message Overwriting                 | +WMGO   |  | ●                          | ●                 | ●                               | ●     |
| Copy Messages                       | +WMCP   |  | ●                          | ●                 | ●                               | ●     |
| Save Settings                       | +CSAS   |  | ●                          | ●                 | ●                               | ●     |
| Restore Settings                    | +CRES   |  | ●                          | ●                 | ●                               | ●     |
| Select Cell Broadcast Message Types | +CSCB   |  | ●                          | ●                 | ●                               | ●     |
| Cell Broadcast Message Identifiers  | +WCBM   |  | ●                          | ●                 | ●                               | ●     |
| <b>SIM Commands</b>                 |         |  |                            |                   |                                 |       |
| Card Identification                 | +CCID   |  | ●                          | ●                 | ●                               | ●     |
| Request IMSI                        | +CIMI   |  | ●                          | ●                 | ●                               | ●     |
| Generic SIM Access                  | +CSIM   |  | ●                          | ●                 | ●                               | ●     |
| Restricted SIM Access               | +CRSM   |  | ●                          | ●                 | ●                               | ●     |

| Description                                | Command |  | Q2686,<br>Q2687,<br>SL6087 | AR6220,<br>WP6200 | SL8080T,<br>SL8082T,<br>SL8084T | Q2698 |
|--------------------------------------------|---------|--|----------------------------|-------------------|---------------------------------|-------|
| Write Language Preference                  | +WLPW   |  | ●                          | ●                 | ●                               | ●     |
| Read Language Preference                   | +WLPR   |  | ●                          | ●                 | ●                               | ●     |
| <b>SIM Toolkit Commands</b>                |         |  |                            |                   |                                 |       |
| SIM ToolKit Set Facilities                 | +STSF   |  | ●                          | ●                 | ●                               | ●     |
| SIM ToolKit Indication                     | +STIN   |  | ●                          | ●                 | ●                               | ●     |
| SIM ToolKit Get Information                | +STGI   |  | ●                          | ●                 | ●                               | ●     |
| SIM ToolKit Give Response                  | +STGR   |  | ●                          | ●                 | ●                               | ●     |
| SIM ToolKit Control Response               | +STCR   |  | ●                          | ●                 | ●                               | ●     |
| SIM ToolKit Indication                     | +STRIL  |  | ●                          | ●                 | ●                               | ●     |
| <b>Supplementary Services Commands</b>     |         |  |                            |                   |                                 |       |
| List Current Calls                         | +CLCC   |  | ●                          | ●                 | ●                               | ●     |
| Call Related Supplementary Services        | +CHLD   |  | ●                          | ●                 | ●                               | ●     |
| Calling Line Identification Presentation   | +CLIP   |  | ●                          | ●                 | ●                               | ●     |
| Calling Line Identification Restriction    | +CLIR   |  | ●                          | ●                 | ●                               | ●     |
| Connected Line Identification Presentation | +COLP   |  | ●                          | ●                 | ●                               | ●     |
| Supplementary Service Notifications        | +CSSN   |  | ●                          | ●                 | ●                               | ●     |
| Unstructured Supplementary Service Data    | +CUSD   |  | ●                          | ●                 | ●                               | ●     |
| Call Forwarding                            | +CCFC   |  | ●                          | ●                 | ●                               | ●     |
| Call Waiting                               | +CCWA   |  | ●                          | ●                 | ●                               | ●     |
| Keypad Control                             | +CKPD   |  | ●                          | ●                 | ●                               | ●     |
| Advice Of Charge                           | +CAOC   |  | ●                          | ●                 | ●                               | ●     |
| Accumulated Call Meter                     | +CACM   |  | ●                          | ●                 | ●                               | ●     |



| Description                       | Command  |  | Q2686,<br>Q2687,<br>SL6087 | AR6220,<br>WP6200 | SL8080T,<br>SL8082T,<br>SL8084T | Q2698 |
|-----------------------------------|----------|--|----------------------------|-------------------|---------------------------------|-------|
| Accumulated Call Meter Maximum    | +CAMM    |  | ●                          | ●                 | ●                               | ●     |
| Price per UNIT and Currency Table | +CPUC    |  | ●                          | ●                 | ●                               | ●     |
| Closed User Group                 | +CCUG    |  | ●                          | ●                 | ●                               | ●     |
| <b>Audio Commands</b>             |          |  |                            |                   |                                 |       |
| Speaker and microphone selection  | +SPEAKER |  | ●                          | ●                 | ●                               | ●     |
| Ringer Sound Level                | +CRSL    |  | ●                          | ●                 | ●                               | ●     |
| Microphone Mute Control           | +CMUT    |  | ●                          | ●                 | ●                               | ●     |
| Loudspeaker Volume Level          | +CLVL    |  | ●                          | ●                 | ●                               | ●     |
| Side Tone Modification            | +SIDET   |  | ●                          | ●                 | ●                               | ●     |
| Gain Control                      | +VGR     |  | ●                          | ●                 | ●                               | ●     |
| Gain Control                      | +VGT     |  | ●                          | ●                 | ●                               | ●     |
| Digital Gain Control              | +WDGR    |  | ●                          | ●                 | ●                               | ●     |
| Digital Gain Control              | +WDGT    |  | ●                          | ●                 | ●                               | ●     |
| Audio Filter Command              | +WADF    |  | ●                          | ●                 | ●                               | ●     |
| Echo Cancellation                 | +ECHO    |  | ●                          | ●                 | ●                               | ●     |
| Sierra Wireless Voice Rate        | +WVR     |  | ●                          | ●                 | ●                               | ●     |
| DTMF Signals                      | +VTD     |  | ●                          | ●                 | ●                               | ●     |
| DTMF Signals                      | +VTS     |  | ●                          | ●                 | ●                               | ●     |
| Play Tone                         | +WTONE   |  | ●                          | ●                 | ●                               | ●     |
| Play DTMF tone                    | +WDTMF   |  | ●                          | ●                 | ●                               | ●     |
| DTMF Detection Mode               | +WDDM    |  | ●                          | ●                 | ●                               | ●     |
| Set Standard Tone                 | +WSST    |  | ●                          | ●                 | ●                               | ●     |
| Ring Melody Playback              | +CRMP    |  | ●                          | ●                 | ●                               | ●     |

| Description                                 | Command |  | Q2686,<br>Q2687,<br>SL6087 | AR6220,<br>WP6200 | SL8080T,<br>SL8082T,<br>SL8084T | Q2698 |
|---------------------------------------------|---------|--|----------------------------|-------------------|---------------------------------|-------|
| Sierra Wireless Change Default Melody       | +WCDM   |  | ●                          | ●                 | ●                               | ●     |
| Sierra Wireless Change Default Player       | +WCDP   |  | ●                          | ●                 | ●                               | ●     |
| Initialize Voice Parameters                 | +VIP    |  | ●                          | ●                 | ●                               | ●     |
| Auto-tests                                  | &T      |  | ●                          | ●                 | ●                               | ●     |
| Auto Diagnostic Start                       | +WADS   |  | ●                          | ●                 | ●                               | ●     |
| <b>I/O Commands</b>                         |         |  |                            |                   |                                 |       |
| Input/Output Management                     | +WIOM   |  | ●                          | ●                 | ●                               | ●     |
| Read GPIO value                             | +WIOR   |  | ●                          | ●                 | ●                               | ●     |
| Write GPIO value                            | +WIOV   |  | ●                          | ●                 | ●                               | ●     |
| Sierra Wireless Interrupt Pin Configuration | +WIPC   |  | ●                          | ●                 | ●                               | ●     |
| <b>Battery Commands</b>                     |         |  |                            |                   |                                 |       |
| Analog Digital Converters Measurements      | +ADC    |  | ●                          | ●                 | ●                               | ●     |
| Sierra Wireless Battery Charge Management   | +WBCM   |  | ●                          | ●                 | ●                               | ●     |
| Sierra Wireless Autodiag                    | +WDIAG  |  | ●                          | ●                 | ●                               | ●     |
| <b>CPHS Commands</b>                        |         |  |                            |                   |                                 |       |
| CPHS command                                | +CPHS   |  | ●                          | ●                 | ●                               | ●     |
| Sierra Wireless CPHS Mail Box Number        | +WMBN   |  | ●                          | ●                 | ●                               | ●     |
| Sierra Wireless Alternate Line Service      | +WALS   |  | ●                          | ●                 | ●                               | ●     |
| <b>Fax Commands</b>                         |         |  |                            |                   |                                 |       |
| Transmit Speed                              | +FTM    |  | ●                          | ●                 | ●                               | ●     |
| Receive Speed                               | +FRM    |  | ●                          | ●                 | ●                               | ●     |
| HDLC Transmit Speed                         | +FTH    |  | ●                          | ●                 | ●                               | ●     |

| Description                                       | Command |  | Q2686,<br>Q2687,<br>SL6087 | AR6220,<br>WP6200 | SL8080T,<br>SL8082T,<br>SL8084T | Q2698 |
|---------------------------------------------------|---------|--|----------------------------|-------------------|---------------------------------|-------|
| HDLC Receive Speed                                | +FRH    |  | ●                          | ●                 | ●                               | ●     |
| Stop Transmission and Wait                        | +FTS    |  | ●                          | ●                 | ●                               | ●     |
| Receive Silence                                   | +FRS    |  | ●                          | ●                 | ●                               | ●     |
| <b>Fax class 2 Commands</b>                       |         |  |                            |                   |                                 |       |
| Transmit Data                                     | +FTD    |  | ●                          | ●                 | ●                               | ●     |
| Receive Data                                      | +FDR    |  | ●                          | ●                 | ●                               | ●     |
| Transmit Page Punctuation                         | +FET    |  | ●                          | ●                 | ●                               | ●     |
| Page Transfer Status Parameters                   | +FTPS   |  | ●                          | ●                 | ●                               | ●     |
| Terminate Session                                 | +FK     |  | ●                          | ●                 | ●                               | ●     |
| Page Transfer Bit Order                           | +FBOR   |  | ●                          | ●                 | ●                               | ●     |
| Buffer Size Report                                | +FBUF   |  | ●                          | ●                 | ●                               | ●     |
| Copy Quality Checking                             | +FCQ    |  | ●                          | ●                 | ●                               | ●     |
| Capability to Receive                             | +FCR    |  | ●                          | ●                 | ●                               | ●     |
| Current Session Parameters                        | +FDIS   |  | ●                          | ●                 | ●                               | ●     |
| DCE Capabilities Parameters                       | +FDCC   |  | ●                          | ●                 | ●                               | ●     |
| Local ID String                                   | +FLID   |  | ●                          | ●                 | ●                               | ●     |
| Page Transfer Timeout Parameter                   | +FPHCTO |  | ●                          | ●                 | ●                               | ●     |
| Additional Fax Class 2 indication messages        |         |  | ●                          | ●                 | ●                               | ●     |
| <b>Remote Device Management Services Commands</b> |         |  |                            |                   |                                 |       |
| Device Services Configuration                     | +WDSC   |  | ●                          | ●                 | ●                               | ●     |
| Device Services Error                             | +WDSE   |  | ●                          | ●                 | ●                               | ●     |
| Device Services Fallback                          | +WDSF   |  | ●                          | ●                 | ●                               | ●     |
| Device Services General status                    | +WDSG   |  | ●                          | ●                 | ●                               | ●     |

| Description                    | Command |  | Q2686,<br>Q2687,<br>SL6087 | AR6220,<br>WP6200 | SL8080T,<br>SL8082T,<br>SL8084T | Q2698 |
|--------------------------------|---------|--|----------------------------|-------------------|---------------------------------|-------|
| Device Services Reply          | +WDSR   |  | ●                          | ●                 | ●                               | ●     |
| Device Services Session        | +WDSS   |  | ●                          | ●                 | ●                               | ●     |
| Device Services Indications    | +WDSI   |  | ●                          | ●                 | ●                               | ●     |
| Device Services Bootstrap      | +WDSB   |  | ●                          | ●                 | ●                               | ●     |
| Device Services Host           | +WDSH   |  | ●                          | ●                 | ●                               | ●     |
| Device Services Local Download | +WDSD   |  | ●                          | ●                 | ●                               | ●     |
| Device Services Over-The-Air   | +WDSO   |  | ●                          | ●                 | ●                               | ●     |



## 2. AT Commands Features

### 2.1. Sierra Wireless Line Settings

A serial link handler is set with the following default values (factory settings):

- speed according to customer choice at order time,
- 8 bits data,
- 1 stop bit,
- no parity,
- RTS/CTS flow control.

Please use the +IPR, +IFC and +ICF commands to change these settings.

### 2.2. Command Line

Commands always start with AT and finish with a <CR> character, excepted A/ command.

### 2.3. Information Responses and Result Codes

Responses start and end with <CR><LF>, except for the ATV0 DCE response format and the ATQ1 (result code suppression) commands.

- If command syntax is incorrect, the "**ERROR**" string is returned.
- If command syntax is correct but transmitted with wrong parameters, the "**+CME ERROR: <Err>**" or "**+CMS ERROR: <SmsErr>**" strings is returned with adequate error codes if CMEE was previously set to 1. By default, CMEE is set to 0, and the error message is only "ERROR".
- If the command line has been executed successfully, an "OK" string is returned.

In some cases, such as "AT+CPIN?" or (unsolicited) incoming events, the product does not return the "OK" string as a response.

In the following examples <CR> and <CR><LF> are intentionally omitted.

---

*Note: The command syntax accepts negative parameters. If the command parameter is negative and out of the acceptable range, the "+CME ERROR: 3" string is returned if CMEE was previously set to 1.*

---

### 2.4. Proprietary Commands

When a command is Sierra Wireless proprietary, the information is indicated in the command description.

## 2.5. SIM Insertion and Removal

---

*Note: This function is not supported on AirPrime SL808xT embedded module.*

---

SIM card insertion and removal procedures are supported. There are software functions relying on positive reading of the hardware SIM detect pin. This pin state (open/closed) is permanently monitored.

When the SIM detect pin indicates that a card is present in the SIM connector, the product tries to set up a logical SIM session. The logical SIM session will be set up or not depending on whether the detected card is a SIM card or not. The AT+CPIN? command delivers the following responses:

- If the SIM detect pin indicates "absent", the response to AT+CPIN? is "+CME ERROR: 10" (SIM not inserted).
- If the SIM detect pin indicates "present", and the inserted card is a SIM card, the response to AT+CPIN? is "+CPIN: xxx" depending on SIM PIN state.
- If the SIM detect pin indicates "present", and the inserted card is not a SIM card, the response to AT+CPIN? is "+CME ERROR: 10".
- These last two states are not provided immediately due to background initialization. Between the hardware SIM detect pin indicating "present" and the final results, the AT+CPIN? sends "+CME ERROR: 515" (Please wait, init in progress).

When the SIM detect pin indicates card absence, and if a SIM card was previously inserted, an IMSI detach procedure is performed, all user data is removed from the product (phonebooks, SMS etc.). The product then switches to emergency mode.

## 2.6. Background Initialization

After entering the PIN 1/CHV 1, some SIM user data files are loaded into the product (phonebooks, SMS status, etc.). Please be aware that it might take some time to read a large phonebook.

The AT+CPIN? command response occurs after PIN checking. After this response user data is loaded in background. This means that some data may not be available just when PIN entry is confirmed by "OK". The reading of phonebooks will then be refused by "+CME ERROR: 515" or "+CMS ERROR: 515" meaning, "Please wait, service is not available yet, init in progress".

This type of answer may be sent by the product at several points:

- when trying to execute another AT command before the previous one is completed (before response),
- when switching from ADN to FDN (or FDN to ADN) and trying to read the relevant phonebook immediately,
- when asking for +CPIN? status immediately after SIM insertion and before the product has determined if the inserted card is a valid SIM card.

## 2.7. Length of Phone Numbers

Phone numbers can be made of up to 80 digits. The 20 first digits are stored in SIM, in the phonebook file (EF<sub>ADN</sub>, EF<sub>FDN</sub> or EF<sub>LND</sub>) corresponding to the selected phonebook. The next digits are stored in other extension SIM files (EF<sub>EXT1</sub> or EF<sub>EXT2</sub>).

As an example:

| Number of digits | Nb of records in EF <sub>ADN</sub> | Nb of free records in EF <sub>EXT1</sub> |
|------------------|------------------------------------|------------------------------------------|
| 1 to 20          | 1                                  | 0                                        |
| 21 to 40         | 1                                  | 1                                        |
| 41 to 60         | 1                                  | 2                                        |
| 61 to 80         | 1                                  | 3                                        |

If there is no more free records in the EF<sub>EXT1</sub>, the behaviour is:

- if user tries to store an entry of more than 20 digits: +CME ERROR: 20,
- if user tries to dial a number of more than 20 digits: +CME ERROR: 20.

As the maximum length for the numbers (in ADN, FDN, LND) phonebooks is 80 digits:

- if user tries to dial a number of more than 80 digits: +CME ERROR: 26.

Before performing a call, the number of free records in the EF<sub>EXT1</sub> is checked, to be able to store the dialed number.

- if there are free records left, the call is setup
- otherwise, +CME ERROR: 20 errors are returned (memory full).

Please refer to Recommendation 3GPP 11.11 [9] for more details.

## 2.8. Bad Software Message

The Sierra Wireless embedded module is designed to be downloaded with specific software. When the user has to take in charge the software download, it is necessary to be sure that the compatible software is downloaded. If the software downloaded is either corrupt or non-compatible, the message BAD SOFTWARE is displayed. To remedy, reinstall the initial specific software version.

---

*Note:* If the embedded module is still displaying BAD SOFTWARE, only Sierra Wireless or a distributor can recover it.

---

## 2.9. Commands Concatenation

The Sierra Wireless embedded module supports basic AT commands and extended AT commands concatenation.

### 2.9.1. Basic Syntax Commands

#### 2.9.1.1. Basic Syntax Command Format

The format of Basic Syntax commands, except for the D and S commands, is as follows:

```
<command> [<number>]
```

where <command> is either a single character, or the "&" character (IA5 2/6) followed by a single character. Characters used in <command> shall be taken from the set of alphabetic characters.

<number> may be a string of one or more characters from "0" through "9" representing a decimal integer value. Commands that expect a <number> are noted in the description of the command (see clause 6). If a command expects <number> and it is missing (<command> is immediately followed in the command line by another <command> or the termination character), the value "0" is assumed. If a command does not expect a <number> and a number is present, an **ERROR** is generated. All leading "0"s in <number> are ignored by the DCE.

Additional commands may follow a command (and associated parameter, if any) on the same command line without any character required for separation. The actions of some commands cause the remainder of the command line to be ignored (e.g., A).

See the D command for details on the format of the information that follows it.

#### 2.9.1.2. S-parameters

Commands that begin with the letter "s" constitute a special group of parameters known as "S-parameters". These differ from other commands in important respects. The number following the "s" indicates the "parameter number" being referenced. If the number is not recognized as a valid parameter number, an **ERROR** result code is issued.

Immediately following this number, either a "?" or "=" character (IA5 3/15 or 3/13, respectively) shall appear. "?" is used to read the value of the indicated S-parameter; "=" is used to set the S-parameter to a new value.

```
S<parameter_number>?
```

```
S<parameter_number>= [<value>]
```

If the "=" is used, the new value to be stored in the S-parameter is specified in decimal following the "=". If no value is given (i.e., the end of the command line occurs or the next command follows immediately), the S-parameter specified may be set to 0, or an **ERROR** result code issued and the stored value left unchanged. The ranges of acceptable values are given in the description of each S-parameter.

If the "?" is used, the DCE transmits a single line of information text to the DTE. For S-parameters defined in this Recommendation, the text portion of this information text consists of exactly three characters, giving the value of the S-parameter in decimal, with leading zeroes included.



### **2.9.1.3. Concatenating Commands after Extended Syntax Commands**

Additional commands may follow an extended syntax command on the same command line if a semicolon (";", IA5 3/11) is inserted after the preceding extended command as a separator. The semicolon is not necessary when the extended syntax command is the last command on the command line.

### **2.9.1.4. Concatenating Commands after Basic Format Commands**

Extended syntax commands may appear on the same command line after a basic syntax command without a separator, in the same manner as concatenation of basic syntax commands.

## 3. Basic Commands

### 3.1. Attention Command AT



#### 3.1.1. Description

This command always returns OK.

#### 3.1.2. Syntax

*Action command*

**AT**

OK

*Read command*

None

*Test command*

None

#### 3.1.3. Parameters and Defined Values

None

#### 3.1.4. Parameter Storage

None

#### 3.1.5. Examples

| Command | Responses |
|---------|-----------|
| AT      | OK        |

## 3.2. Repeat Last Command A/



### 3.2.1. Description

This command repeats the last command of the open session. Only the A/ command itself cannot be repeated.

If this command is the first one of the open session, the response is OK without any treatment.

### 3.2.2. Syntax

*Action command*

A/

*Note: The response depends on the previous command*

*Read command*

None

*Test command*

None

### 3.2.3. Parameters and Defined Values

None.

### 3.2.4. Parameter Storage

None.

### 3.2.5. Examples

| Command                                | Responses                             |
|----------------------------------------|---------------------------------------|
| AT+CGMI                                | SIERRA WIRELESS EMBEDDED MODULE<br>OK |
| A/<br><i>Note: Repeat last command</i> | SIERRA WIRELESS EMBEDDED MODULE<br>OK |

## 4. Identifications Commands

### 4.1. Manufacturer Identification +CGMI



#### 4.1.1. Description

This command gives the manufacturer identification.

#### 4.1.2. Syntax

*Action command*

```
AT+CGMI
```

```
Sierra Wireless
```

```
OK
```

*Read command*

```
None
```

*Test command*

```
None
```

#### 4.1.3. Parameters and Defined Values

None.

#### 4.1.4. Parameter Storage

None.

### 4.1.5. Examples

| Command | Responses             |
|---------|-----------------------|
| AT+CGMI | Sierra Wireless<br>OK |

## 4.2. Request Model Identification +CGMM



### 4.2.1. Description

This command is used to get the model identification text.

### 4.2.2. Syntax

*Action command*

**AT+CGMM**

<model>

OK

*Read command*

None

*Test command*

None

### 4.2.3. Parameters and Defined Values

<model>:

model identification text

The total number of characters, including line terminators, in the information text shall not exceed 2048 characters.

### 4.2.4. Parameter Storage

None.

## 4.2.5. Examples

| Command | Responses            |
|---------|----------------------|
| AT+CGMM | WMP100 Product<br>OK |



## 4.3. Hardware Version +WHWV



### 4.3.1. Description

This Sierra Wireless proprietary command gets the hardware version.

### 4.3.2. Syntax

*Action command*

**AT+WHWV**

Hardware Version <version>

OK

*Read command*

None

*Test command*

**AT+WHWV=?**

OK

### 4.3.3. Parameters and Defined Values

|                         |                                  |
|-------------------------|----------------------------------|
| <b>&lt;version&gt;:</b> | embedded module hardware version |
|                         | string type                      |

### 4.3.4. Parameter Storage

None.

### 4.3.5. Examples

| Command                                                      | Responses                       |
|--------------------------------------------------------------|---------------------------------|
| <b>AT+WHWV</b><br><br><i>Note: Requests hardware version</i> | Hardware Version 4.14<br><br>OK |

## 4.4. Date of Production +WDOP



### 4.4.1. Description

This Sierra Wireless proprietary command gets the date of production.

### 4.4.2. Syntax

#### *Action command*

**AT+WDOP**

Production Date (W/Y): <date>

OK

#### *Read command*

None

#### *Test command*

**AT+WDOP=?**

OK

### 4.4.3. Parameters and Defined Values

|                      |                                                                                                                  |
|----------------------|------------------------------------------------------------------------------------------------------------------|
| <b>&lt;date&gt;:</b> | production date<br>string format for date is: ww/y where ww is the week number (range: 01-53)<br>and y the year. |
|----------------------|------------------------------------------------------------------------------------------------------------------|

### 4.4.4. Parameter Storage

None.

### 4.4.5. Examples

| Command                                                        | Responses                                                                                                              |
|----------------------------------------------------------------|------------------------------------------------------------------------------------------------------------------------|
| <b>AT+WDOP</b><br><br><i>Note: Requests date of production</i> | Production Date (W/Y) : 01/6<br><br>OK<br><br><i>Note: Date of production is WEEK: 01/YEAR: 6 (1st week of year 6)</i> |

## 4.5. Write IMEI +WIMEI



### 4.5.1. Description

This Sierra Wireless proprietary command downloads the IMEI. This operation is possible only if the embedded module contains the default IMEI.

The IMEI can only be downloaded once.

No password is needed. If the download is not correct, only Sierra Wireless can reset the IMEI.

### 4.5.2. Syntax

*Action command*

```
AT+WIMEI=<IMEI>
```

OK

*Read command*

```
AT+WIMEI?
```

```
+WIMEI: <IMEI>
```

OK

*Test command*

```
AT+WIMEI=?
```

OK

### 4.5.3. Parameters and Defined Values

|                      |                                                                                                                                                                                                                        |
|----------------------|------------------------------------------------------------------------------------------------------------------------------------------------------------------------------------------------------------------------|
| <b>&lt;IMEI&gt;:</b> | <p>IMEI</p> <p>14 or 15 digits as defined in GSM 23.003 [21]</p> <p>default value: 012345678901234</p> <p>When a 14 digits IMEI is written, the 15<sup>th</sup> digit is automatically added using Luhn algorithm.</p> |
|----------------------|------------------------------------------------------------------------------------------------------------------------------------------------------------------------------------------------------------------------|

### 4.5.4. Parameter Storage

None.

### 4.5.5. Examples

| Command                                                                     | Responses                     |
|-----------------------------------------------------------------------------|-------------------------------|
| <b>AT+WIMEI?</b><br><i>Note: Request IMEI</i>                               | +WIMEI: 012345678901234<br>OK |
| <b>AT+WIMEI=123456789099998</b><br><i>Note: First download on 15 digits</i> | OK                            |
| <b>AT+CGSN</b><br><i>Note: Get stored IMEI</i>                              | 123456789099998<br>OK         |
| <b>AT+WIMEI=3528200000005</b><br><i>Note: First download on 14 digits</i>   | OK                            |
| <b>AT+CGSN</b><br><i>Note: Get stored IMEI</i>                              | 352820000000054<br>OK         |
| <b>AT+WIMEI?</b><br><i>Note: Request IMEI</i>                               | +WIMEI: 352820000000054<br>OK |

## 4.6. Embedded Module Serial Number +WMSN



### 4.6.1. Description

This Sierra Wireless proprietary command returns the serial number of the embedded module.

### 4.6.2. Syntax

*Action command*

**AT+WMSN**

Serial Number <serial number>

OK

*Read command*

None

*Test command*

**AT+WMSN=?**

OK

### 4.6.3. Parameters and Defined Values

|                               |                                                                                          |
|-------------------------------|------------------------------------------------------------------------------------------|
| <b>&lt;serial number&gt;:</b> | Embedded module serial number<br>integer type on 15 digits or 16 digits following module |
|-------------------------------|------------------------------------------------------------------------------------------|

### 4.6.4. Parameter Storage

None.

## 4.6.5. Examples

| Command | Responses                           |
|---------|-------------------------------------|
| AT+WMSN | Serial Number 123456789012345<br>OK |



## 4.7. Product Serial Number +CGSN



### 4.7.1. Description

This command allows the user application to get the IMEI of the product.

### 4.7.2. Syntax

*Action command*

**AT+CGSN**

<IMEI>

OK

*Read command*

None

*Test command*

None

### 4.7.3. Parameters and Defined Values

|         |                                         |
|---------|-----------------------------------------|
| <IMEI>: | Embedded module IMEI (15 digits number) |
|---------|-----------------------------------------|

### 4.7.4. Parameter Storage

None.

### 4.7.5. Examples

| Command                                         | Responses                                                           |
|-------------------------------------------------|---------------------------------------------------------------------|
| <b>AT+CGSN</b><br><br><i>Note: Get the IMEI</i> | 012345678901234<br><br>OK<br><br><i>Note: IMEI read from EEPROM</i> |

## 4.8. Request Revision Identification +CGMR



### 4.8.1. Description

This command is used to get the revised software version.

### 4.8.2. Syntax

*Action command*

**AT+CGMR**

<SW release>.<WCPU> <size> <date> <time>

OK

*Read command*

None

*Test command*

None

### 4.8.3. Parameters and Defined Values

|               |                                     |
|---------------|-------------------------------------|
| <SW release>: | software release                    |
| <WCPU>        | type of embedded module             |
| <size>        | software size                       |
| <date>        | date (mmddy) of software generation |
| <time>        | hour (hh:mm) of software generation |

### 4.8.4. Parameter Storage

None.

### 4.8.5. Examples

| Command              | Responses                                                                                                                                |
|----------------------|------------------------------------------------------------------------------------------------------------------------------------------|
| <code>AT+CGMR</code> | R7.43.0.201003261552.WMP50 2139952 032610<br>15:52<br><br>OK<br><br><i>Note : Software release v7.42, generated on January 28, 2010.</i> |

## 4.9. Request Identification Information ATI



### 4.9.1. Description

This command causes the product to transmit one or more lines of specific information text.

### 4.9.2. Syntax

*Action command*

**ATI<n>**

Depending on <n>

OK

*Read command*

None

*Test command*

None

### 4.9.3. Parameters and Defined Values

|                   |                                                                                                                                                                     |
|-------------------|---------------------------------------------------------------------------------------------------------------------------------------------------------------------|
| <b>&lt;n&gt;:</b> | information display control parameter                                                                                                                               |
| 0                 | display manufacturer followed by model identification (equivalent to <a href="#">+CGMI</a> and <a href="#">+CGMM</a> , refer to these commands for more precisions) |
| 3                 | display revision identification (equivalent to <a href="#">+CGMR</a> )                                                                                              |
| 4                 | display embedded module configuration in RAM (equivalent to <a href="#">&amp;V0</a> )                                                                               |
| 5                 | display embedded module configuration in EEPROM (equivalent to <a href="#">&amp;V1</a> )                                                                            |
| 6                 | display embedded module data features. Lists the supported data rates, data modes and fax classes.                                                                  |
| 7                 | display embedded module voice features                                                                                                                              |

8 embedded module with dual binary:  
display Modem SW version  
<Component>,<Version>[,<Name>,<Company>,<Size>,<TimeStamp>,<Checksum>,<Offset>]  
"OK"  
See <n>=9 description for the definition of the fields.

9 display component details: Downloader, Firmware, embedded Open AT application  
(Developer Studio version used to build it, Integrated Library version), memory  
the response is divided in 4 groups:  
<Component>,<Version>[,<Name>,<Company>,<Size>,<TimeStamp>,<Checksum>,<Offset>  
[<SubComponent>,<SubComponentVersion>]  
<MemoryType>,<MemorySize>  
[<InfoTage>,<InfoValue>]

|              |                                                                                               |
|--------------|-----------------------------------------------------------------------------------------------|
| <Component>: | ascii string<br>embedded software component type<br>possible values: "DWL","FW","OAT","MODEM" |
|--------------|-----------------------------------------------------------------------------------------------|

|            |                                                   |
|------------|---------------------------------------------------|
| <Version>: | ascii string<br>version of the software component |
|------------|---------------------------------------------------|

|         |                                |
|---------|--------------------------------|
| <Name>: | ascii string<br>component name |
|---------|--------------------------------|

|            |                                   |
|------------|-----------------------------------|
| <Company>: | ascii string<br>component company |
|------------|-----------------------------------|

|         |                                    |
|---------|------------------------------------|
| <Size>: | integer<br>component size in bytes |
|---------|------------------------------------|

|              |                                     |
|--------------|-------------------------------------|
| <TimeStamp>: | ascii string<br>component timestamp |
|--------------|-------------------------------------|

|             |                                    |
|-------------|------------------------------------|
| <Checksum>: | ascii string<br>component checksum |
|-------------|------------------------------------|

|           |                                                 |
|-----------|-------------------------------------------------|
| <Offset>: | ascii string<br>offset address of the component |
|-----------|-------------------------------------------------|

*Note: For the Application, <Version>, <Name> and <Company> fields are filled in the application source code. Please refer to ADL User Guide for more information.*

|                 |                                                                                                            |
|-----------------|------------------------------------------------------------------------------------------------------------|
| <SubComponent>: | ascii string<br>subcomponent name<br>this field is filled by Developer Studio (supported from version 1.1) |
|-----------------|------------------------------------------------------------------------------------------------------------|

|       |                                                                                                                                                                                                                                                     |
|-------|-----------------------------------------------------------------------------------------------------------------------------------------------------------------------------------------------------------------------------------------------------|
|       | <p>&lt;SubComponent Version&gt;:   ascii string<br/>                                  subcomponent version<br/>                                  this field is filled by Developer Studio (supported from 1.1 version)</p>                          |
|       | <p>&lt;MemoryType&gt;:               "ROM" or "RAM"</p>                                                                                                                                                                                             |
|       | <p>&lt;MemorySize&gt;:               size of the &lt;MemoryType&gt; in bytes, in hexadecimal, set at the upper roundish value ( 100000 = 8 Mb, 200000 = 16 Mb, 400000 = 32 Mb, 800000 = 64 Mb, ...)</p>                                             |
|       | <p>&lt;InfoTag&gt;:                   Information Tag, the value is the following parameter.<br/>                                  Current supported value: "DWLNAME"</p>                                                                           |
|       | <p>&lt;InfoValue&gt;:                Information value.<br/>                                  For "DWLNAME" information Tag: Type of the correct DWL file type to be downloaded in the embedded module, based on the product name. ASCII string</p> |
| other | "OK" string is sent back                                                                                                                                                                                                                            |

#### 4.9.4. Parameter Storage

None.

#### 4.9.5. Examples

| Command                                                                                                                 | Responses                                                                                                                                  |
|-------------------------------------------------------------------------------------------------------------------------|--------------------------------------------------------------------------------------------------------------------------------------------|
| <p><b>ATI0</b></p> <p><i>Note: Manufacturer and model identification</i></p>                                            | <p>SIERRA WIRELESS<br/>WMP100 Product<br/>OK</p> <p><i>Note: See +CGMI and +CGMM commands</i></p>                                          |
| <p><b>ATI0</b></p> <p><i>Note: Manufacturer identification (if the embedded module has the 2<sup>nd</sup> core)</i></p> | <p>SIERRA WIRELESS<br/>OK</p> <p><i>Note: Response of embedded module with 2<sup>nd</sup> core inside.</i></p>                             |
| <p><b>ATI3</b></p> <p><i>Note: Revision identification</i></p>                                                          | <p>R7.42.0.201001280843.WMP100 2131488 012810 08:43<br/>OK</p> <p><i>Note : Software release v7.42, generated on January 28, 2010.</i></p> |
| <p><b>ATI6</b></p>                                                                                                      | <p>DATA RATES :<br/>AUTOBAUD,300,1200,1200/75,2400,4800,9600,14400<br/>DATA MODES : T/TN,ASYNCHRONOUS<br/>FAX CLASS 1,2</p>                |

| Command                                                    | Responses                                                                                                                                                                                                                                                                                                                                                                                                                                                                                                                                                                                                                                                                                                                                                                                                                                                                                                                                                                                                                                                                                                                                                                                                                                                                                                                                                                                                                                                                          |
|------------------------------------------------------------|------------------------------------------------------------------------------------------------------------------------------------------------------------------------------------------------------------------------------------------------------------------------------------------------------------------------------------------------------------------------------------------------------------------------------------------------------------------------------------------------------------------------------------------------------------------------------------------------------------------------------------------------------------------------------------------------------------------------------------------------------------------------------------------------------------------------------------------------------------------------------------------------------------------------------------------------------------------------------------------------------------------------------------------------------------------------------------------------------------------------------------------------------------------------------------------------------------------------------------------------------------------------------------------------------------------------------------------------------------------------------------------------------------------------------------------------------------------------------------|
| <i>Note: embedded module data features</i>                 | OK                                                                                                                                                                                                                                                                                                                                                                                                                                                                                                                                                                                                                                                                                                                                                                                                                                                                                                                                                                                                                                                                                                                                                                                                                                                                                                                                                                                                                                                                                 |
| <b>ATI7</b><br><i>Note: embedded module voice features</i> | SPEECH CODINGS: FR,EFR,HR,AMR<br><br>OK                                                                                                                                                                                                                                                                                                                                                                                                                                                                                                                                                                                                                                                                                                                                                                                                                                                                                                                                                                                                                                                                                                                                                                                                                                                                                                                                                                                                                                            |
| <b>ATI8</b>                                                | "MODEM","1.1.17"," 201108111653.WMP100","Sierra Wireless",1641956,"081111 16:53","a2a3c1d4","00020000"<br><br>OK                                                                                                                                                                                                                                                                                                                                                                                                                                                                                                                                                                                                                                                                                                                                                                                                                                                                                                                                                                                                                                                                                                                                                                                                                                                                                                                                                                   |
| <b>ATI9</b>                                                | <p>"DWL","V08b0i","", "Sierra Wireless",54752,"011410 16:55","d7ba6c55","00010000"</p> <p>"FW","FW_750_10.WMP100H","R7.46.0.201 72510:7 .WMP100","Sierra Wireless",594976,"072511 10:17","1a37402f","001c0000"</p> <p>"MODEM","1.1.17","R7.46.0.201 72510:7 .WMP100","Sierra Wireless",1640524,"072511 10:17","61ce0bd7","00020000"</p> <p>"OAT","1.0.0","My Test Application","Sierra Wireless",226748,"012210 10:05","5e796578","00260000"</p> <p>-"Developer Studio","1.1.1.200911160856-R3160"</p> <p>-"Open AT OS Package","6.32.0.01"</p> <p>-"Firmware Package","7.4.2"</p> <p>-"WIP Library Package","5.30"</p> <p>"ROM","400000"</p> <p>"RAM","100000"</p> <p>"DWLNAME","WMP100SM3"</p> <p>OK</p> <p><i>Note: Component details with an embedded Application.</i></p> <hr/> <p>"DWL","V08b0i","", "Sierra Wireless",54752,"011410 16:55","d7ba6c55","00010000"</p> <p>"FW","FW_750_10.WMP100H","R7.46.0.201 72510:7 .WMP100","Sierra Wireless",594976,"072511 10:17","1a37402f","001c0000"</p> <p>"MODEM","1.1.17","R7.46.0.201 72510:7 .WMP100","Sierra Wireless",1640524,"072511 10:17","61ce0bd7","00020000"</p> <p>"ROM","400000"</p> <p>"RAM","100000"</p> <p>"DWLNAME","WMP100SM3"</p> <p>OK</p> <p><i>Note: Component details without an embedded Application.</i></p> <hr/> <p>"DWL","V08b0i","", "Sierra Wireless",54752,"011410 16:55","d7ba6c55","00010000"</p> <p>"FW","FW_750_10.WMP100H","R7.46.0.201 72510:7 .WMP100","Sierra Wireless",594976,"072511</p> |



| Command | Responses                                                                                                                                                                                                                                                                                                                                                                                                                                                                                                                                                                                                                                                                                                                                                                                                                                                                                                                                                                                                                                                                                                                                                                              |
|---------|----------------------------------------------------------------------------------------------------------------------------------------------------------------------------------------------------------------------------------------------------------------------------------------------------------------------------------------------------------------------------------------------------------------------------------------------------------------------------------------------------------------------------------------------------------------------------------------------------------------------------------------------------------------------------------------------------------------------------------------------------------------------------------------------------------------------------------------------------------------------------------------------------------------------------------------------------------------------------------------------------------------------------------------------------------------------------------------------------------------------------------------------------------------------------------------|
|         | <pre> 10:17", "1a37402f", "001c0000"  "MODEM", "1.1.17", "R7.46.0.201 72510:7 .WMP100", "Sierra Wireless", 1640524, "072511 10:17", "61ce0bd7", "00020000"  "OAT", "1.0.0", "My Test Application", "Sierra Wireless", 226748, "012210 10:05", "5e796578", "00260000"  "ROM", "400000"  "RAM", "100000"  "DWLNAME", "WMP100SM3"  OK  Note: Component details with an embedded Application which was not built using Developer Studio and with DWL file information. </pre> <hr/> <pre> "DWL", "V08b0i", "", "Sierra Wireless", 54752, "011410 16:55", "d7ba6c55", "00010000"  "FW", "FW750_10.WMP100H", "R7.46.0.201 72510:7 .WMP100", "Sierra Wireless", 594976, "072511 10:17", "1a37402f", "001c0000"  "MODEM", "1.1.17", "R7.46.0.201 72510:7 .WMP100", "Sierra Wireless", 1640524, "072511 10:17", "61ce0bd7", "00020000"  "OAT", "", "", "", 226748, "012210 10:05", "5e796578", "00260000"  -"Developer Studio", "1.1.1.200911160856-R3160"  -"Open AT OS Package", "6.32.0.01"  -"Firmware Package", "7.4.2"  -"WIP Library Package", "5.30"  "ROM", "400000"  "RAM", "100000"  OK  Note: Component details with an embedded Application on which fields are not filled. </pre> |

## 4.10. Write IMEI SVN +WSVN



### 4.10.1. Description

This Sierra Wireless proprietary command updates the IMEI SVN.

### 4.10.2. Syntax

*Action command*

```
AT+WSVN=<IMEI SVN>
```

OK

*Read command*

```
AT+WSVN?
```

```
+WSVN: <IMEI SVN>
```

OK

*Test command*

```
AT+WSVN=?
```

```
+WSVN: (list of supported <IMEI SVN>s)
```

OK

### 4.10.3. Parameters and Defined Values

|                          |             |
|--------------------------|-------------|
| <b>&lt;IMEI SVN&gt;:</b> | IMEI SVN    |
|                          | BCD type    |
|                          | range: 0-98 |

## 4.10.4. Parameter Storage

None.

## 4.10.5. Examples

| Command                                               | Responses           |
|-------------------------------------------------------|---------------------|
| <b>AT+WSVN=?</b>                                      | +WSVN: (0-98)<br>OK |
| <b>AT+WSVN?</b><br><i>Note: Request IMEI SVN</i>      | +WSVN: 10<br>OK     |
| <b>AT+WSVN=11</b><br><i>Note: Update the IMEI SVN</i> | OK                  |

## 4.11. Capabilities List +GCAP



### 4.11.1. Description

This command returns the complete list of capabilities.

### 4.11.2. Syntax

*Action command*

**AT+GCAP**

+GCAP: (list of supported <name>s)

OK

*Read command*

None

*Test command*

None

### 4.11.3. Parameters and Defined Values

| <name>: | supported capability   |
|---------|------------------------|
| +CGSM   | CGSM command supported |
| +FCLASS | fax command supported  |

### 4.11.4. Parameter Storage

None.

### 4.11.5. Examples

| Command                                                  | Responses                                                                         |
|----------------------------------------------------------|-----------------------------------------------------------------------------------|
| <b>AT+GCAP</b><br><br><i>Note: Get capabilities list</i> | +GCAP: +CGSM, +FCLASS<br><br>OK<br><br><i>Note: Supports GSM and FAX commands</i> |



## 5. Open AT Application Framework Commands

### 5.1. Sierra Wireless Downloading +WDWL



#### 5.1.1. Description

This Sierra Wireless proprietary command switches the product to download mode. After downloading, the embedded module should be reset using AT+CFUN=1.

#### 5.1.2. Syntax

*Action command*

**AT+WDWL**

+WDWL: 0

*Note: Downloading in progress. NACK character is sent every second by the embedded module.*

*Read command*

**AT+WDWL?**

+WDWL: <version>

OK

*Test command*

None

#### 5.1.3. Parameters and Defined Values

|                         |                                          |
|-------------------------|------------------------------------------|
| <b>&lt;version&gt;:</b> | XModem downloader version<br>string type |
|-------------------------|------------------------------------------|

#### 5.1.4. Parameter Storage

None

## 5.1.5. Examples

| Command                                                 | Responses                                                                                       |
|---------------------------------------------------------|-------------------------------------------------------------------------------------------------|
| <b>AT+WDWL?</b><br><i>Note: Get downloader version.</i> | +WDWL: V02.12<br>OK                                                                             |
| <b>AT+WDWL</b>                                          | +WDWL: 0<br><i>Note: Download mode started. File can be sent using the terminal application</i> |
| <b>AT+CFUN=1</b>                                        | OK                                                                                              |

## 5.1.6. Notes

+WDWL command allows launching the download process only on UART1, UART 2 and USB ports (and not on multiplexed port (see [+CMUX](#) command)).

Because a reset is made when the AT+WDWL command is sent to the embedded module, the host application should support the reset on USB port if this command is sent on this port (USB disconnection and reconnection in USB CDC mode).

Downloading is performed using the Xmodem protocol or 1K-Xmodem (checksum only, CRC is not supported) protocol.

The flow control of the hyperterminal has to be set to "Hardware".

---

**Caution:** *Software damages may occur if power is lost or if a hardware reset occurs during the downloading phase. If it occurs, send again AT + WDWL command to the embedded module and download again the file.*

---

## 5.2. Sierra Wireless Open AT Control Command +WOPEN



### 5.2.1. Description

This Sierra Wireless proprietary command performs the start, stop, delete, and get information about the current embedded application.

This command also erases the flash objects storage place, and configures the Application & Data (A&D) storage place size (including AirPrime Management Services storage place). Please refer to the Open AT Application Framework Development Guides for more information.

This command permits to configure the Safe Boot. This service prevents the application from starting when defined keys of the keyboard are pressed.

### 5.2.2. Syntax

- If <Mode>=0,1,3,4 or 5

```
Action command
AT+WOPEN=<Mode>
OK
```

- If <Mode>=2

```
Action command
AT+WOPEN=<Mode>
+WOPEN: <Mode>,<IntVersion>[,<ExtVersion>]
OK
```

- If <Mode>=6

```
Action command
AT+WOPEN=<Mode>[,<A&Dsize>]
+WOPEN: <Mode>,<A&Dsize>,<OatSize>
OK
```



- If <Mode>=7

*Action command*

**AT+WOPEN=<Mode>**

+WOPEN: <Mode>,<OatState>

OK

- If <Mode>=8

*Action command*

**AT+WOPEN=<Mode>[,<SafeBootState>[,<Key1>[,<Key2>]]]**

+WOPEN: <Mode>[,<SafeBootState>[,<Key1>[,<Key2>]]]

OK

- If <Mode>=9

*Action command*

**AT+WOPEN=<Mode>[,<FSSize>]**

+WOPEN: <Mode>,<FSSize>,<OatSize>

OK

*Read command*

**AT+WOPEN?**

+WOPEN: <Mode>

OK

*Test command*

**AT+WOPEN=?**

+WOPEN: (list of supported <Mode>s), (list of supported <A&DSize>s), (list of supported <Key1>s), (list of supported <Key2>s)

OK

### 5.2.3. Parameters and Defined Values

**<Mode>:** operating mode

|   |                                                                                             |
|---|---------------------------------------------------------------------------------------------|
| 0 | stop the embedded application<br>If the application is running, the embedded module resets. |
|---|---------------------------------------------------------------------------------------------|

|   |                                                                                              |
|---|----------------------------------------------------------------------------------------------|
| 1 | start the embedded application<br>If the application is stopped, the embedded module resets. |
|---|----------------------------------------------------------------------------------------------|

|               |                                                                                                                                                                                                                                                                                                                                                                                                                                                                                                                                                                                                                                                                                                                                                                                                                                                                                                                                                                                                                                                                                                                                                                                                                                                                                                                                                                                          |
|---------------|------------------------------------------------------------------------------------------------------------------------------------------------------------------------------------------------------------------------------------------------------------------------------------------------------------------------------------------------------------------------------------------------------------------------------------------------------------------------------------------------------------------------------------------------------------------------------------------------------------------------------------------------------------------------------------------------------------------------------------------------------------------------------------------------------------------------------------------------------------------------------------------------------------------------------------------------------------------------------------------------------------------------------------------------------------------------------------------------------------------------------------------------------------------------------------------------------------------------------------------------------------------------------------------------------------------------------------------------------------------------------------------|
| 2             | get the library versions                                                                                                                                                                                                                                                                                                                                                                                                                                                                                                                                                                                                                                                                                                                                                                                                                                                                                                                                                                                                                                                                                                                                                                                                                                                                                                                                                                 |
| 3             | erase the embedded application flash objects                                                                                                                                                                                                                                                                                                                                                                                                                                                                                                                                                                                                                                                                                                                                                                                                                                                                                                                                                                                                                                                                                                                                                                                                                                                                                                                                             |
| 4             | erase the embedded application                                                                                                                                                                                                                                                                                                                                                                                                                                                                                                                                                                                                                                                                                                                                                                                                                                                                                                                                                                                                                                                                                                                                                                                                                                                                                                                                                           |
| 5             | suspend (in Sierra Wireless OS) the embedded application tasks                                                                                                                                                                                                                                                                                                                                                                                                                                                                                                                                                                                                                                                                                                                                                                                                                                                                                                                                                                                                                                                                                                                                                                                                                                                                                                                           |
| 6             | If the <A&Dsize> parameter is used: configure the Application & Data storage size.<br>If the <A&Dsize> parameter is not used: display the current A&D storage place size and application space size.                                                                                                                                                                                                                                                                                                                                                                                                                                                                                                                                                                                                                                                                                                                                                                                                                                                                                                                                                                                                                                                                                                                                                                                     |
| 7             | Application current state                                                                                                                                                                                                                                                                                                                                                                                                                                                                                                                                                                                                                                                                                                                                                                                                                                                                                                                                                                                                                                                                                                                                                                                                                                                                                                                                                                |
| 8             | Configure the Safe Boot: please refer to the <SafeBootState>, <Key1> & <Key2> parameters description for more information<br><hr/> <i>Note: Keypad feature is not supported for AirPrime SL808xT, SL3010T and Q2698 embedded modules</i> <hr/>                                                                                                                                                                                                                                                                                                                                                                                                                                                                                                                                                                                                                                                                                                                                                                                                                                                                                                                                                                                                                                                                                                                                           |
| 9             | If the <FSsize> parameter is used: configure the File System area size.<br>If the <FSsize> parameter is not used: display the current File System place size and the application space size.                                                                                                                                                                                                                                                                                                                                                                                                                                                                                                                                                                                                                                                                                                                                                                                                                                                                                                                                                                                                                                                                                                                                                                                             |
| <IntVersion>: | ASCII string giving the internal library version                                                                                                                                                                                                                                                                                                                                                                                                                                                                                                                                                                                                                                                                                                                                                                                                                                                                                                                                                                                                                                                                                                                                                                                                                                                                                                                                         |
| <ExtVersion>: | ASCII string giving the external library version<br>If no embedded application is loaded, the <ExtVersion> parameter is not returned.                                                                                                                                                                                                                                                                                                                                                                                                                                                                                                                                                                                                                                                                                                                                                                                                                                                                                                                                                                                                                                                                                                                                                                                                                                                    |
| <A&DSize>:    | This parameter includes A&D volume and AirPrime Management Services volume.<br>Kbytes size allocated for the Application & Data storage place (default value for 64Mbits and 128Mbits flashes:: 768 Kbytes)<br>usable only with <Mode> = 6<br>MinSize is different according to AirPrime Management Services features activation state (see chapter Device Services General status +WDSG command).<br>When the Device services are in prohibited state (see chapter Device Services General status +WDSG), MinSize=0.<br>When the Device services are not in prohibited state (see chapter Device Services General status +WDSG), Minsize value differs according to the flash memory size:<br>64 for 32Mbits Flash size, 256 for 64Mbits flash size, and 256 for 128Mbits flash size.<br>MaxSize value differs according to the flash memory size:<br>768 for 32Mbits Flash size, 4608 for 64Mbits flash size and 12800 for 128Mbits flash size.<br>Provided parameter value will be rounded up to the next flash sector sub-division (64 Kbytes). For example, if a 100 Kbytes size is required, a 128 Kbytes size will effectively be set.<br><hr/> <i>Note: On AirPrime SL808xT &amp; Q2698 embedded modules, as the A&amp;D service is emulated above the file system, this A&amp;D volume is not statically configurable. All A&amp;D data is stored in the file system.</i> <hr/> |

**<FSSize>:** Kbytes size allocated for the File System area (default value: 0 Kbytes)  
usable only with <Mode> = 9  
MinSize is 4 sectors of 64kBytes.  
MaxSize value differs according to the flash memory size:  
0 for 32Mbits flash size, 4096 for 64Mbits flash size and 12288 for 128Mbits flash size.  
Provided parameter value will be rounded up to the next flash sector sub-division (64 Kbytes). For example, if a 100 Kbytes size is required, a 128 Kbytes size will effectively be set.

**<OatSize>:** Application reserved size (in Kbytes)  
returned with <Mode> = 6 and <Mode>=9  
This size is calculated from the <A&DSize> and <FSSize> ones, since the whole available size for Application, File System, A&D and AirPrime Management Services storage places is fixed according to flash memory size.  
1024 Kbytes (<OatSize> + <A&DSize> = 1024) for 32Mbits flash size,  
4864 Kbytes (<OatSize>+<A&DSize>+ <FSSize> = 4864) for 64Mbits flash size  
and  
13056 Kbytes (<OatSize>+<A&DSize>+ <FSSize> = 13056) for 128Mbits flash size.

**<OatState>:** Application current state  
returned with <Mode> = 7  
This state will be greater than 0 only if the current +WOPEN command state is 1 (except when OatState = 13, which can occur even if the application is not started on the target).

|   |                                                                                                                       |
|---|-----------------------------------------------------------------------------------------------------------------------|
| 0 | application is not started (current mode is AT+WOPEN=0)                                                               |
| 1 | no downloaded application in the embedded module                                                                      |
| 2 | bad checksum<br>The application binary seems to be corrupted.                                                         |
| 3 | bad header<br>The downloaded file seems not to be an Open AT application.                                             |
| 4 | version mismatch<br>The application binary was built with an SDK version which is not compatible with the current OS. |
| 5 | too many tasks<br>The number of declared tasks in the application exceeds the maximum allowed one.                    |
| 6 | bad binary init function<br>The application binary seems to be corrupted.                                             |
| 7 | bad task entry point<br>The application binary seems to be corrupted.                                                 |
| 8 | link issue<br>The application global variables area initialization is impossible.                                     |

|                                                      |                                                                                                                                                                                                          |
|------------------------------------------------------|----------------------------------------------------------------------------------------------------------------------------------------------------------------------------------------------------------|
| 9                                                    | bad memory configuration<br>The RAM size required by the application exceeds the maximum allowed one.                                                                                                    |
| 10                                                   | application is not started; starting was cancelled by the Safe Boot. When reset with this command, the safe boot buttons must be held down until the reception of +wind3.                                |
| 11                                                   | application is not started; starting was cancelled due to OS internal tests (depending on the OS version linked vs the downloaded application. Please refer to the ADL User guide for more information). |
| 12                                                   | application started in target mode<br>The application is now running on the target (the application adl_main function or task entry points have been called).                                            |
| 13                                                   | Reserved                                                                                                                                                                                                 |
| 14                                                   | Reserved                                                                                                                                                                                                 |
| 15                                                   | application initialization pending in Target mode;<br>System error during flash or RAM initialisation.                                                                                                   |
| 16                                                   | no tasks declared;<br>The application tasks table is empty, no task is declared                                                                                                                          |
| 17                                                   | bad priority value;<br>At least one task priority value is incorrect (not unique or too high value w.r.t., the number of tasks)                                                                          |
| 18                                                   | Reserved                                                                                                                                                                                                 |
| 19                                                   | Reserved.<br>The application has declared call stacks for High Level Handler interrupt execution context but not the Low Level Handler interrupt execution context.                                      |
| 20                                                   | Reserved                                                                                                                                                                                                 |
| 21                                                   | The application has defined some interrupt priority change, but the interrupt priority array not valid.                                                                                                  |
| <b>&lt;SafeBootState&gt;:</b> usable with <Mode> = 8 |                                                                                                                                                                                                          |
| 0                                                    | stop the Safe Boot.                                                                                                                                                                                      |
| 1                                                    | start the Safe Boot.<br>(default value: 1)                                                                                                                                                               |
| <b>&lt;Key1&gt;:</b> usable with <Mode> = 8          |                                                                                                                                                                                                          |
| [0 – 24]                                             | first key used for Safe Boot.<br>(default value: 19)                                                                                                                                                     |
| <b>&lt;Key2&gt;:</b> usable with <Mode> = 8          |                                                                                                                                                                                                          |
| [0 – 24]                                             | second key used for Safe Boot. This key has to be either on the same row or the same column of the keyboard that Key1.<br>(default value: 24)                                                            |

## 5.2.4. Parameter storage

The <Mode>, <A&DSize>, <FSsize>, <Key1> and <Key2> parameters are stored in EEPROM without using the AT&W command. The default value can be restored using AT&F.

## 5.2.5. Examples

| Command                                                    | Responses                                                                                                                                     |
|------------------------------------------------------------|-----------------------------------------------------------------------------------------------------------------------------------------------|
| AT+WOPEN=?                                                 | +WOPEN: (0-9), (256-4608), (0-24), (0-24)<br>OK                                                                                               |
| AT+WOPEN?                                                  | +WOPEN: 0<br>OK                                                                                                                               |
| AT+WOPEN=2<br><i>Note: Get the library versions</i>        | +WOPEN: 2, "AT v06.40", "AT v06.40"<br>OK<br><i>Note: version 6.40 application downloaded.</i>                                                |
| AT+WOPEN=7                                                 | +WOPEN: 7, 0<br>OK<br><i>Note: Application not started</i>                                                                                    |
| AT+WOPEN=1                                                 | +CME ERROR: 541<br><i>Note: since main versions do not match, the application can not be started.</i>                                         |
| AT+WOPEN=2<br><i>Note: Get the library versions</i>        | +WOPEN: 2, "AT v06.40", "AT v06.40"<br>OK<br><i>Note: v6.40 library version. An embedded application has been downloaded on this product.</i> |
| AT+WOPEN=3                                                 | OK<br><i>Note: The flash objects are erased</i>                                                                                               |
| AT+WOPEN=1<br><i>Note: Start the embedded application.</i> | OK<br>+WIND: 3<br><i>Note: Product resets in order to start the embedded application.</i>                                                     |
| AT+WOPEN=7                                                 | +WOPEN: 7, 12<br>OK<br><i>Note: Application started on the target.</i>                                                                        |
| AT+WOPEN=8                                                 | +WOPEN: 8, 1, 19, 24<br>OK<br><i>Note: Safe Boot is active and uses the keys 19 and 24</i>                                                    |
| AT+WOPEN=8, 1, 10, 12                                      | OK<br><i>Note: Safe Boot is active and uses the keys 10 and 12.</i>                                                                           |

| Command                                                              | Responses                                                                                                                                                                            |
|----------------------------------------------------------------------|--------------------------------------------------------------------------------------------------------------------------------------------------------------------------------------|
| <b>AT+WOPEN=8,1,10,10</b>                                            | +CME ERROR: 3<br><i>Note: Two different keys have to be supplied</i>                                                                                                                 |
| <b>AT+WOPEN=8,1,10,16</b>                                            | +CME ERROR: 3<br><i>Note: The two supplied keys have to be on the same row or on the same column.</i>                                                                                |
| <b>AT+WOPEN=3</b>                                                    | +CME ERROR: 532<br><i>Note: The embedded application is activated so the flash objects are not erased.</i>                                                                           |
| <b>AT+WOPEN=4</b>                                                    | +CME ERROR: 532<br><i>Note: the embedded application is activated so it cannot be erased</i>                                                                                         |
| <b>AT+WOPEN=0</b><br><br><i>Note: Stop the embedded application.</i> | OK<br>+WIND: 3<br><i>Note: Product reset in order to stop the embedded application.</i>                                                                                              |
| <b>AT+WOPEN=3</b>                                                    | OK<br><i>Note: The flash objects are erased</i>                                                                                                                                      |
| <b>AT+WOPEN=4</b>                                                    | OK<br><i>Note: The embedded application is erased</i>                                                                                                                                |
| <b>AT+WOPEN=6</b>                                                    | +WOPEN: 6,1024,3840<br>OK<br><i>Note: 1024 Kbytes are reserved for the A&amp;D storage place, and 3840 Kbytes for the application</i>                                                |
| <b>AT+WOPEN=6,xxxx</b>                                               | +CME ERROR: 550<br><i>Note: The current application size is too big to allow this new A&amp;D storage place size.</i>                                                                |
| <b>AT+WOPEN=6,1024</b>                                               | +WOPEN: 6,1024,3840<br>OK<br><i>Note: No product reset (same size used)</i>                                                                                                          |
| <b>AT+WOPEN=6,900</b>                                                | +WOPEN: 6,960,3904<br>OK<br>+WIND: 3<br><i>Note: Size updated according to the next flash sector sub-division. Product reset in order to set the new A&amp;D storage place size.</i> |
| <b>AT+WOPEN=6</b>                                                    | +WOPEN: 6,960,3904<br>OK<br><i>Note: 960 Kbytes are reserved for the A&amp;D storage place, and 3904 Kbytes for the application</i>                                                  |
| <b>AT+WOPEN=5</b><br><i>Note: Suspend tasks</i>                      | +CME ERROR: 3<br><i>Note: The application is not running</i>                                                                                                                         |

| Command                                                              | Responses                                                                                                                                                     |
|----------------------------------------------------------------------|---------------------------------------------------------------------------------------------------------------------------------------------------------------|
| <b>AT+WOPEN=1</b><br><br><i>Note: Start the embedded application</i> | OK<br><br>+WIND: 3<br><br><i>Note: Product reset in order to start the embedded application</i>                                                               |
| <b>AT+WOPEN=5</b><br><br><i>Note: Suspend tasks</i>                  | OK                                                                                                                                                            |
| <b>AT+WOPEN?</b>                                                     | +WOPEN: 5<br><br>OK<br><br><i>Note: Application suspended by giving AT+WOPEN=5 command can be resumed by AT+WOPENRES command</i>                              |
| <b>AT+WOPEN=9</b>                                                    | +WOPEN: 9, 704, 3200<br><br>OK<br><br><i>Note: 704 Kbytes are reserved for the File System area, and 3200 Kbytes for the application</i>                      |
| <b>AT+WOPEN=6, 1422</b>                                              | +CME ERROR: 551<br><br><i>Note: The File System area size is not null. To resize A&amp;D it must be set to 0 (with AT+WOPEN=9,0) before A&amp;D resizing"</i> |
| <b>AT+WOPEN=9, xxxx</b>                                              | +CME ERROR: 568<br><br><i>Note: Not enough space for File System because of the application.</i>                                                              |

## 5.2.6. Notes

For mode = 1: if the main version numbers returned by the AT+WOPEN=2 command do not match, the command will reply "+CME ERROR: 541"

<Mode> = 3 and <Mode> = 4 are only available if the embedded application is stopped (AT+WOPEN=0).

Embedded applications can be suspended by Mode = 5 (AT+WOPEN=5) and resumed with AT+WOPENRES command.

The command returns an error when trying to use a key not available for Safe Boot.

The external library version is not returned in the "AT+WOPEN=2" response when an application is corrupted. This happens when the application download was incomplete, and when the CRC is corrupted, then the application decompression is impossible.

---

**Caution:** With <Mode> = 6, any A&D size change will lead to the area format process (this process will take some seconds on start-up, before the "+WIND: 3" indication display (up to 1.5 second per 64 Kbytes flash sector size can be considered as a maximum); all A&D cells data will be erased. If the File System area size is not null, any resizing of the A&D area is impossible. So the File System area size must be set to 0 (with AT+WOPEN=9,0 command) before resizing A&D.

---

USB restrictions:

Starting or stopping an application resets the Sierra Wireless embedded module. When these AT commands (AT+WOPEN=1 or AT+WOPEN=0) are sent to the Sierra Wireless embedded module by using the USB serial port, the user must:

1. Close the USB serial port as soon as the command is sent to the Sierra Wireless embedded module. This means that the OK response cannot be received by the user application.
2. Wait sufficient time to allow the Sierra Wireless embedded module to reset. Usually, the user must wait 1 second before reopening the USB serial port.



## 5.3. Tasks Resume Command +WOPENRES



### 5.3.1. Description

This Sierra Wireless proprietary command allows to resume the suspended embedded application.

### 5.3.2. Syntax

*Action command*

**AT+WOPENRES**

OK

*Read command*

None

*Test command*

**AT+WOPENRES=?**

OK

### 5.3.3. Parameters and Defined Values

None.

### 5.3.4. Parameter Storage

None

### 5.3.5. Examples

None.

## 6. Global Configuration Commands

### 6.1. Report Mobile Equipment Errors +CMEE



#### 6.1.1. Description

This command defines the method for returning error messages. The simple ERROR message can be replaced by the verbose method to include the results codes +CME ERROR: <err>. (See section "ME error result code: +CME ERROR" in the "Appendixes" of the present document for "+CME ERROR" result codes description. See section "Message service failure result code: +CMS ERROR" in the "Appendixes" of the present document for "+CMS ERROR" result codes).

#### 6.1.2. Syntax

##### Action command

```
AT+CMEE=<n>
```

```
OK
```

##### Read command

```
AT+CMEE?
```

```
+CMEE: <n>
```

```
OK
```

##### Test command

```
AT+CMEE=?
```

```
+CMEE: (list of supported <n>s)
```

```
OK
```

#### 6.1.3. Parameters and Defined Values

|      |                                                            |
|------|------------------------------------------------------------|
| <n>: | error reporting method                                     |
| 0    | disable ME error reports, use only "ERROR" (default value) |
| 1    | enable "+CME ERROR: <err>" or "+CMS ERROR: <err>"          |

## 6.1.4. Parameter Storage

The <n> parameter is stored in EEPROM using AT&W command. The default value can be restored using AT&F.

## 6.1.5. Examples

| Command                                                                                | Responses         |
|----------------------------------------------------------------------------------------|-------------------|
| AT+CME=?                                                                               | +CME: (0,1)<br>OK |
| AT+CME=0<br><i>Note: Disable ME error reports, use only "ERROR"</i>                    | OK                |
| AT+CME=1<br><i>Note: Enable "+CME ERROR: &lt;err&gt;" or "+CMS ERROR: &lt;err&gt;"</i> | OK                |
| AT+CME?                                                                                | +CME: 1<br>OK     |

## 6.2. Hardware Configuration +WHCNF



### 6.2.1. Description

This Sierra Wireless proprietary command allows to:

- activate or deactivate the keypad functionality in the embedded module when available. When the keypad is deactivated, ten more I/O pins will be free to be used (see PTS documentation for more information).

The new setting to activate or deactivate the keypad will be in effect after the next module restart. With the keypad activation, ten GPIO pins are subsequently used by the keypad and cannot be used by other applications.

- activate or deactivate the flash LED (activity status indication)

The new setting will be taken into account after a restart.

If the software downloaded is either corrupted or non-compatible, the flash LED is in "very quick flash" mode even if the flash LED is deactivated.

- activate or deactivate the 32 kHz clock to output on a pin of the embedded module. When the 32 kHz feature is deactivated, one more I/O pin will be free to be used (see PTS documentation for more information).

The new setting will be taken into account immediately after the 32 kHz feature activation or deactivation. With the 32 kHz feature activation, one I/O pin is immediately used to output the clock and this pin is no more usable as an I/O pin (until the 32 kHz feature will be deactivated).

- This command allows the users to activate or deactivate the management of Voltage Indication pin used by an External SIM Switch to know the power supply level to use as SIM Vcc. User can choose the I/O pin which will be allocated for the feature among available I/O (see +WIOM AT command). If user does not use the command, a default I/O is defined (see PTS documentation for more information).

The new setting will be taken into account after a restart. The I/O pin is allocated after the restart during the embedded module initialization.

- This command allows the users to select the InSIM switch mode. User without adding an external SIM card will be able to make some usage of the network (SMS, GPRS). They can also insert an external SIM card which can have precedence over the embedded SIM. Three modes which are provided are:

- External SIM privileged (default) – External SIM selected if detected, otherwise internal SIM is selected if feature is activated
- External SIM only – External SIM selected, whatever the state of the external SIM
- Internal SIM only – Internal SIM selected, whatever the state of the external SIM

- This command allows the users to set the FD of UART. The new setting will be taken into account immediately. UARTs have dedicated memory in the form of a FIFO structure for each receive and transmit operations. The purpose of the FIFO structures is to hold data either received from the serial port or to be written to the serial port.

## 6.2.2. Syntax

- For <type> = 0, 2 and 6

### *Action command*

**AT+WHCNF=<type>,<mode>**

[+WHCNF: <type>,<status>]

OK

- For <type> = 1, 4 and 5

### *Action command*

**AT+WHCNF=<type>,<mode>**

[+WHCNF: <type>,<status>,<resetFlag>]

OK

- For <type> = 3

### *Action command*

**AT+WHCNF=<type>,<mode>[,<GpioId>[,<Polarity>]]**

[+WHCNF: <type>,<status>,<resetFlag>[,<GpioId>,<Polarity>]]

OK

### *Read command*

**AT+WHCNF?**

+WHCNF: <type>,<status>[,<resetFlag>[,<GpioId>,<Polarity>]]

[+WHCNF: <type>,<status>[,<resetFlag>[,<GpioId>,<Polarity>]] [ ]]

OK

### *Test command*

**AT+WHCNF=?**

+WHCNF: <type>,(list of supported <mode>s)[,(list of supported <GpioId>s,(list of supported <Polarity>s)]

[+WHCNF: <type>,(list of supported <mode>s)[,(list of supported <GpioId>s,(list of supported <Polarity>s)[...]]

OK

### 6.2.3. Parameters and Defined Values

|                                                                                             |                                                                                                |
|---------------------------------------------------------------------------------------------|------------------------------------------------------------------------------------------------|
| <b>&lt;type&gt;:</b>                                                                        | hardware functionality                                                                         |
| 0                                                                                           | keypad (not supported for AirPrime SL6087 module)                                              |
| 1                                                                                           | flash LED                                                                                      |
| 2                                                                                           | 32 kHz clock (not supported for AirPrime SL808xT and Q2698 embedded modules)                   |
| 3                                                                                           | voltage indication IO supplier (not supported for AirPrime SL808xT and Q2698 embedded modules) |
| 4                                                                                           | InSIM Switch functionality (not supported for AirPrime SL808xT and Q2698 embedded modules)     |
| 5                                                                                           | Diversity Antenna Test                                                                         |
| 6                                                                                           | FD functionality                                                                               |
| <b>&lt;mode&gt;:</b>                                                                        | requested operation                                                                            |
| For <type> = 0                                                                              |                                                                                                |
| 0                                                                                           | deactivate the keypad (default value for AirPrime AR6220 and WP6200)                           |
| 1                                                                                           | activate the keypad (default value for AirPrime Q268x and WMP)                                 |
| 2                                                                                           | get the keypad status                                                                          |
| <i>Note: Keypad is not supported for AirPrime SL6087, SL808xT and Q2698 modules</i>         |                                                                                                |
| For <type> = 1                                                                              |                                                                                                |
| 0                                                                                           | deactivate the flash LED                                                                       |
| 1                                                                                           | activate the flash LED (default value)                                                         |
| 2                                                                                           | get the flash LED status                                                                       |
| For <type> = 2                                                                              |                                                                                                |
| 0                                                                                           | deactivate the 32 kHz clock. The I/O pin is available (default value).                         |
| 1                                                                                           | activate the 32 kHz clock. The I/O pin is used to output the clock.                            |
| 2                                                                                           | interrogate the 32 kHz clock management status                                                 |
| <i>Note: 32 kHz clock is not supported for AirPrime SL808xT and Q2698 embedded modules.</i> |                                                                                                |
| For <type> = 3                                                                              |                                                                                                |
| 0                                                                                           | deactivate the voltage indication IO supplier feature (default value)                          |
| 1                                                                                           | activate the voltage indication IO supplier feature                                            |

|                                                     |   |                                                                                                                                                                                            |
|-----------------------------------------------------|---|--------------------------------------------------------------------------------------------------------------------------------------------------------------------------------------------|
|                                                     | 2 | reserved for future use                                                                                                                                                                    |
|                                                     | 3 | get the voltage indication IO supplier feature status                                                                                                                                      |
| For <type> = 4                                      |   |                                                                                                                                                                                            |
|                                                     | 0 | external SIM privileged (default)                                                                                                                                                          |
|                                                     | 1 | external SIM only                                                                                                                                                                          |
|                                                     | 2 | internal SIM only                                                                                                                                                                          |
|                                                     | 3 | get the inSIM switch selected mode                                                                                                                                                         |
| For <type> = 5                                      |   |                                                                                                                                                                                            |
|                                                     | 0 | deactivate the diversity antenna test (default value)<br>Tx RF path uses the main antenna path; Rx RF path uses the main path and the diversity path if the diversity antenna is connected |
|                                                     | 1 | activate the diversity antenna test<br>Tx RF path remains to the main antenna; Rx RF path uses only the diversity antenna path                                                             |
|                                                     | 2 | get the diversity antenna test status                                                                                                                                                      |
| For <type> = 6                                      |   |                                                                                                                                                                                            |
|                                                     | 1 | set the UART FD to 16 bytes                                                                                                                                                                |
|                                                     | 2 | set the UART FD to 32 bytes                                                                                                                                                                |
|                                                     | 3 | set the UART FD to 56 bytes (default value).                                                                                                                                               |
| <b>&lt;status&gt;:</b> current functionality status |   |                                                                                                                                                                                            |
| For <type> = 0                                      |   |                                                                                                                                                                                            |
|                                                     | 0 | the keypad is deactivated                                                                                                                                                                  |
|                                                     | 1 | the keypad is activated                                                                                                                                                                    |
| For <type> = 1                                      |   |                                                                                                                                                                                            |
|                                                     | 0 | the flash LED is deactivated                                                                                                                                                               |
|                                                     | 1 | the flash LED is activated                                                                                                                                                                 |
| For <type> = 2                                      |   |                                                                                                                                                                                            |
|                                                     | 0 | the 32 kHz clock management is deactivated                                                                                                                                                 |
|                                                     | 1 | the 32 kHz clock management is activated                                                                                                                                                   |
| For <type> = 3                                      |   |                                                                                                                                                                                            |
|                                                     | 0 | the voltage indication IO supplier feature is deactivated                                                                                                                                  |

|                                                                                                                                                                                         |   |                                                                                                                                            |
|-----------------------------------------------------------------------------------------------------------------------------------------------------------------------------------------|---|--------------------------------------------------------------------------------------------------------------------------------------------|
|                                                                                                                                                                                         | 1 | the voltage indication IO supplier feature is activated                                                                                    |
| For <type> = 4                                                                                                                                                                          |   |                                                                                                                                            |
|                                                                                                                                                                                         | 0 | external SIM selected if detected, otherwise internal SIM is selected                                                                      |
|                                                                                                                                                                                         | 1 | external SIM always selected                                                                                                               |
|                                                                                                                                                                                         | 2 | internal SIM always selected                                                                                                               |
| For <type> = 5                                                                                                                                                                          |   |                                                                                                                                            |
|                                                                                                                                                                                         | 0 | the diversity antenna test is deactivated                                                                                                  |
|                                                                                                                                                                                         | 1 | the diversity antenna test is activated                                                                                                    |
| For <type> = 6                                                                                                                                                                          |   |                                                                                                                                            |
|                                                                                                                                                                                         | 1 | UART FD is 16 bytes                                                                                                                        |
|                                                                                                                                                                                         | 2 | UART FD is 32 bytes                                                                                                                        |
|                                                                                                                                                                                         | 3 | UART FD is 56 bytes                                                                                                                        |
| <b>&lt;resetFlag&gt;:</b> indicate if the embedded module must be reset to take into account the functionality state change                                                             |   |                                                                                                                                            |
| <i>Note: Only for &lt;type&gt; = 1, &lt;type&gt; = 3, &lt;type&gt; = 4 and &lt;type&gt; = 5.</i>                                                                                        |   |                                                                                                                                            |
|                                                                                                                                                                                         | 0 | the functionality has not been modified since the last boot of the product.                                                                |
|                                                                                                                                                                                         | 1 | the functionality has been modified since the last boot of the product: It has to be reset in order to take the modification into account. |
| <b>&lt;GpioId&gt;:</b> Gpio name (as mentioned in the embedded module Product Technical Specification and Customer Design Guideline) to use for voltage indication IO supplier feature. |   |                                                                                                                                            |
| This parameter is optional. GPIO24 is the default value for AirPrime WMP100, q64001, q2686, q2687, q2687cl, fsu01 and fsu02 embedded modules.                                           |   |                                                                                                                                            |
| <i>Note: Only for &lt;type&gt; = 3</i>                                                                                                                                                  |   |                                                                                                                                            |
| <b>&lt;Polarity&gt;:</b> Gpio polarity selection. Optional parameter. 1 is the default value for AirPrime WMP100, q64001, q2686, q2687, q2687cl, fsu01 and fsu02 embedded modules       |   |                                                                                                                                            |
|                                                                                                                                                                                         | 0 | inverted polarity:<br>- High level is applied on Gpio if lower voltage must be used as SIM Vcc<br>- Low level for higher voltage           |
|                                                                                                                                                                                         | 1 | direct polarity:<br>- High level is applied on Gpio if higher voltage must be used as SIM Vcc<br>- Low level for lower voltage             |



## 6.2.4. Parameter Storage

For each kind of <type> parameter, the <mode> parameter is stored in EEPROM without using AT&W. Default values can be restored using AT&F.

For <type>=3, <Gpiold> and <Polarity> parameters value are stored in EEPROM without using AT&W. Default values cannot be restored using AT&F.

For <Type>=6, <Mode> parameter value is stored in the EEPROM with using AT&W. Default value cannot be restored using AT&F.

## 6.2.5. Examples

| Command       | Responses                                                                                                                                                                                                                                                           |
|---------------|---------------------------------------------------------------------------------------------------------------------------------------------------------------------------------------------------------------------------------------------------------------------|
| AT+WHCNF=?    | +WHCNF: 0, (0-2)<br>+WHCNF: 1, (0-2)<br>+WHCNF: 2, (0-2)<br>+WHCNF: 3, (0-3), ("GPIO0"- "GPIO48"), (0-1)<br>+WHCNF: 4, (0-3)<br>+WHCNF: 5, (0-2)<br>+WHCNF: 6, (1-3)<br>OK<br><i>Note: The InSIM syntax is only given for embedded module that embeds an InSIM.</i> |
| AT+WHCNF?     | +WHCNF: 0, 1<br>+WHCNF: 1, 1, 0<br>+WHCNF: 2, 0<br>+WHCNF: 3, 0, 0<br>+WHCNF: 4, 0, 0<br>+WHCNF: 5, 0, 0<br>+WHCNF: 6, 3<br>OK<br><i>Note: The InSIM state is only given for embedded module that embeds an InSIM</i>                                               |
| AT+WHCNF=0, 2 | +WHCNF: 0, 1<br>OK<br><i>Note: Keypad is activated</i>                                                                                                                                                                                                              |
| AT+CMER=, 1   | OK<br>+CKEV: 12, 1<br>+CKEV: 12, 0<br><i>Note: Ask key press event report</i><br><i>Note: Key 12 has been pressed and released</i>                                                                                                                                  |
| AT+WHCNF=0, 0 | OK<br><i>Note: The keypad is deactivated</i>                                                                                                                                                                                                                        |

| Command                                                                                       | Responses                                                                                                                                                    |
|-----------------------------------------------------------------------------------------------|--------------------------------------------------------------------------------------------------------------------------------------------------------------|
| <b>AT+WHCNF=1,0</b><br><i>Note: The flash LED is deactivated</i>                              | OK                                                                                                                                                           |
| <b>AT+WHCNF=2,0</b><br><i>Note: The 32 kHz output clock is deactivated</i>                    | OK                                                                                                                                                           |
| <b>AT+WHCNF=3,1</b><br><i>Note: The voltage indication IO supplier is activated</i>           | OK                                                                                                                                                           |
| <b>AT+WHCNF=3,3</b><br><i>Note: Get the voltage indication IO supplier status</i>             | +WHCNF: 3,1,1,"GPIO24",1<br>OK<br><i>Note: The third parameter &lt;1&gt; indicates a embedded module reset is needed</i>                                     |
| <b>AT+WHCNF=6,2</b><br><i>Note: Set UART FD to 32 bytes</i>                                   | OK                                                                                                                                                           |
| <b>AT+CFUN=1</b><br><i>Note: Reset the embedded module</i>                                    | OK                                                                                                                                                           |
| <b>AT+WHCNF=3,3</b><br><i>Note: Get the voltage indication IO supplier status</i>             | +WHCNF: 3,1,0,"GPIO24",1<br>OK<br><i>Note: The third parameter &lt;0&gt; indicates that the voltage indication IO supplier feature is taken into account</i> |
| <b>AT+WHCNF=3,1,"GPIO2",1</b><br><i>Note: The voltage indication IO supplier is activated</i> | OK                                                                                                                                                           |
| <b>AT+WHCNF=3,3</b>                                                                           | +WHCNF: 3,1,1,"GPIO2",1<br>OK                                                                                                                                |
| <b>AT+CFUN=1</b><br><i>Note: Reset the embedded module</i>                                    | OK                                                                                                                                                           |
| <b>AT+WHCNF?</b>                                                                              | +WHCNF: 0,1<br>+WHCNF: 1,1,0<br>+WHCNF: 2,0<br>+WHCNF: 3,1,0,"GPIO2",1<br>+WHCNF: 4,0,0<br>+WHCNF: 5,0,0<br>+WHCNF: 6,3<br>OK                                |
| <b>AT+WHCNF=3,0</b><br><i>Note: The voltage indication IO supplier is deactivated</i>         | OK                                                                                                                                                           |
| <b>AT+WHCNF=3,3</b>                                                                           | +WHCNF: 3,0,1<br>OK                                                                                                                                          |

| Command                                                                 | Responses                                                                                                                                           |
|-------------------------------------------------------------------------|-----------------------------------------------------------------------------------------------------------------------------------------------------|
| <b>AT+WHCNF=4,2</b><br><i>Note: The internal SIM always selected</i>    | OK                                                                                                                                                  |
| <b>AT+WHCNF=4,3</b><br><i>Note: Get the inSIM switch mode</i>           | +WHCNF: 4,2,1<br>OK<br><i>Note: The third parameter &lt;1&gt; indicates that the internal SIM always selected feature is not taken into account</i> |
| <b>AT+CFUN=1</b><br><i>Note: Reset the embedded module</i>              | OK                                                                                                                                                  |
| <b>AT+WHCNF?</b>                                                        | +WHCNF: 0,1<br>+WHCNF: 1,1,0<br>+WHCNF: 2,0<br>+WHCNF: 3,0,0<br>+WHCNF: 4,2,0<br>+WHCNF: 5,0,0<br>+WHCNF: 6,3<br>OK                                 |
| <b>AT+WHCNF=0,2</b><br><i>Note: Interrogate the keypad status.</i>      | +WHCNF: 0,0<br>OK                                                                                                                                   |
| <b>AT+CMER?</b>                                                         | +CMER: 3,1,0,0,0<br>OK<br><i>Note: After the keypad is deactivated, no unsolicited result is sent when a key is pressed or released.</i>            |
| <b>AT&amp;F</b><br><i>Note: Restore factory settings</i>                | OK                                                                                                                                                  |
| <b>AT+WHCNF=0,2</b>                                                     | +WHCNF: 0,1<br>OK                                                                                                                                   |
| <b>AT+WHCNF=1,2</b>                                                     | +WHCNF: 1,1,1<br>OK<br><i>Note: The third parameter &lt;1&gt; indicates a embedded module reset is needed</i>                                       |
| <b>AT+WHCNF=2,2</b>                                                     | +WHCNF: 2,0<br>OK                                                                                                                                   |
| <b>AT+WHCNF=0,1</b><br><i>Note: Activate the keypad</i>                 | OK                                                                                                                                                  |
| <b>AT+WHCNF=5,1</b><br><i>Note: Activate the Diversity Antenna Test</i> | OK                                                                                                                                                  |

| Command                                                     | Responses                                                                                                           |
|-------------------------------------------------------------|---------------------------------------------------------------------------------------------------------------------|
| <b>AT+WHCNF=5,2</b>                                         | +WHCNF: 5,1,1<br>OK<br><i>Note: The third parameter &lt;1&gt; indicates a embedded module reset is needed</i>       |
| <b>AT+WHCNF=6,1</b><br><i>Note: Set UART FD to 16 bytes</i> | OK                                                                                                                  |
| <b>AT+CFUN=1</b><br><i>Note: Reset the embedded module</i>  | OK                                                                                                                  |
| <b>AT+WHCNF?</b>                                            | +WHCNF: 0,1<br>+WHCNF: 1,1,0<br>+WHCNF: 2,0<br>+WHCNF: 3,0,0<br>+WHCNF: 4,0,0<br>+WHCNF: 5,1,0<br>+WHCNF: 6,3<br>OK |

## 6.2.6. Notes

- To activate the voltage indication IO supplier feature with this command, you must select a single voltage (i.e. 3v only or 1v8 only) with the Sierra Wireless feature command (AT+WFM). It's this voltage that will be used by the electrical SIM interface of the embedded module. This selection with AT+WFM must be the current settings (i.e. the reset flag must be equal to 0).
- The mode 4 allows choosing the InSIM mode for the embedded module start is only available on the embedded module that embeds an InSIM. For other embedded modules, the +CME ERROR: 3 will be returned.
- Keypad is not supported for AirPrime SL6087, SL808xT and Q2698 embedded modules; parameter <type>=0 is therefore unavailable for the SL6087, SL808xT and Q2698.
- The <type>=6 for setting UART FD will not be supported for USB. "+CME ERROR: 3" will be returned if "AT+WHCNF=6,x" (where x can be 1, 2 or 3) is passed on USB port.

## 6.3. Embedded Module Behaviour Configuration +WBHV



### 6.3.1. Description

This Sierra Wireless proprietary command allows the user to configure the behaviour of the embedded module.

### 6.3.2. Syntax

#### *Action command*

```
AT+WBHV=<parameter1>[ , [<parameter2>] [,<parameter3>]]
```

For <parameter1>=6

```
[+WBHV: <parameter1>,<parameter2>,<parameter3>]
```

Else

```
[+WBHV: <parameter1>,<parameter2>[,<resetFlag>]]
```

OK

#### *Read command*

```
AT+WBHV?
```

```
+WBHV: <parameter1>,<parameter2>[,<resetFlag>]
```

Except for <parameter1>=6:

```
+WBHV: <parameter1>,<parameter2>,<parameter3>
```

```
[+WBHV: <parameter1>,<parameter2>[,<resetFlag>][...]]
```

OK

#### *Test command*

```
AT+WBHV=?
```

```
+WBHV: <parameter1>,(list of supported <parameter2>s) [,<resetFlag>]
```

Except for <parameter1>=6

```
+WBHV: <parameter1>,(list of supported <parameter2>s),(list of supported  
<parameter3>s)
```

```
[+WBHV: <parameter1>,(list of supported <parameter2>s) [,<resetFlag>][...]]
```

OK

### 6.3.3. Parameters and Defined Values

|                            |                           |                                                                                                                                           |
|----------------------------|---------------------------|-------------------------------------------------------------------------------------------------------------------------------------------|
| <b>&lt;parameter1&gt;:</b> |                           | configuration mode                                                                                                                        |
|                            | 0                         | configure embedded module response on outgoing voice calls                                                                                |
|                            | 1                         | configure embedded module working mode                                                                                                    |
|                            | 2                         | configure the response delay for a call                                                                                                   |
|                            | 3                         | active/deactive ENS feature                                                                                                               |
|                            | 4                         | configure Mix Tone with voice feature<br><i>Note: Mix Tone with voice feature is not supported for AirPrime SL808xT embedded modules.</i> |
|                            | 5                         | configure Network registration denied indication                                                                                          |
|                            | 6                         | configure DTMF blank duration for DTMF decoder                                                                                            |
|                            | 8                         | configure Gain expression (index or dB unit)                                                                                              |
|                            | 9                         | active/deactive Enhanced Network Selection for Fixed Application feature                                                                  |
| <b>&lt;parameter2&gt;</b>  |                           | configuration value                                                                                                                       |
| <b>&lt;parameter1&gt;</b>  | <b>&lt;parameter2&gt;</b> |                                                                                                                                           |
| 0                          | 0                         | embedded module response is sent on call establishment (default value)                                                                    |
| 0                          | 1                         | embedded module response is sent when audio path is opened                                                                                |
| 0                          | -                         | interrogate embedded module respond mode                                                                                                  |
| 1                          | 0                         | fast idle mode is normal (default value)                                                                                                  |
| 1                          | 1                         | fast standby mode                                                                                                                         |
| 1                          | 2                         | slow standby mode                                                                                                                         |
| 1                          | -                         | get modem init mode state                                                                                                                 |
| 2                          | 0                         | response when the remote part hangs up (default value)                                                                                    |
| 2                          | 1                         | OK will be displayed immediately after the ATD command and +WIND: 5,x indication.                                                         |
| 2                          | -                         | interrogate modem call respond mode                                                                                                       |
| 3                          | 0                         | deactivate ENS feature                                                                                                                    |
| 3                          | 1                         | activate ENS feature (default value)                                                                                                      |
| 3                          | -                         | get ENS feature mode state                                                                                                                |

| 4                 | 0             | deactivate Mix tone with voice feature (default value)                                                                                                                                                                                                                                                                                                                                                                                                                                                                                                                                                                                                                                                                                                                                                                                                                                                                                                                                                                                                                                                                                                                                                                                                   |                             |      |              |              |               |      |                        |                             |                   |      |                       |                             |
|-------------------|---------------|----------------------------------------------------------------------------------------------------------------------------------------------------------------------------------------------------------------------------------------------------------------------------------------------------------------------------------------------------------------------------------------------------------------------------------------------------------------------------------------------------------------------------------------------------------------------------------------------------------------------------------------------------------------------------------------------------------------------------------------------------------------------------------------------------------------------------------------------------------------------------------------------------------------------------------------------------------------------------------------------------------------------------------------------------------------------------------------------------------------------------------------------------------------------------------------------------------------------------------------------------------|-----------------------------|------|--------------|--------------|---------------|------|------------------------|-----------------------------|-------------------|------|-----------------------|-----------------------------|
| 4                 | 1             | activate Mix tone with voice feature                                                                                                                                                                                                                                                                                                                                                                                                                                                                                                                                                                                                                                                                                                                                                                                                                                                                                                                                                                                                                                                                                                                                                                                                                     |                             |      |              |              |               |      |                        |                             |                   |      |                       |                             |
| 4                 | -             | get Mix tone with voice feature mode state                                                                                                                                                                                                                                                                                                                                                                                                                                                                                                                                                                                                                                                                                                                                                                                                                                                                                                                                                                                                                                                                                                                                                                                                               |                             |      |              |              |               |      |                        |                             |                   |      |                       |                             |
| 5                 | 0             | deactivate Network registration denied indication feature (default value)                                                                                                                                                                                                                                                                                                                                                                                                                                                                                                                                                                                                                                                                                                                                                                                                                                                                                                                                                                                                                                                                                                                                                                                |                             |      |              |              |               |      |                        |                             |                   |      |                       |                             |
| 5                 | 1             | activate Network registration denied indication feature                                                                                                                                                                                                                                                                                                                                                                                                                                                                                                                                                                                                                                                                                                                                                                                                                                                                                                                                                                                                                                                                                                                                                                                                  |                             |      |              |              |               |      |                        |                             |                   |      |                       |                             |
| 5                 | -             | get Network registration denied indication feature mode state                                                                                                                                                                                                                                                                                                                                                                                                                                                                                                                                                                                                                                                                                                                                                                                                                                                                                                                                                                                                                                                                                                                                                                                            |                             |      |              |              |               |      |                        |                             |                   |      |                       |                             |
| 6                 | BlankDuration | <p>also expressed by &lt;parameter3&gt;<br/>only for &lt;parameter1&gt;=6.<br/>configures the silence duration used to separate 2 DTMFs.<br/>It can be expressed by step (with &lt;parameter2&gt;) or by ms (with &lt;parameter3&gt;).<br/>If user sets blank duration with &lt;parameter2&gt; and &lt;parameter3&gt;, an error is returned.<br/>If user sets blank duration in ms with a &lt;parameter3&gt; which it is not a step multiple, a round up is done (cf example).<br/>The step depends on the embedded module used:</p> <table border="1"> <thead> <tr> <th>Module</th> <th>Step</th> <th>&lt;parameter2&gt;</th> <th>&lt;parameter3&gt;</th> </tr> </thead> <tbody> <tr> <td>WMP,<br/>Q268x</td> <td>10ms</td> <td>[1-255]<br/>Default: 20</td> <td>[10-2550]<br/>Default: 200ms</td> </tr> <tr> <td>AR6220,<br/>WP6200</td> <td>26ms</td> <td>[1-255]<br/>Default: 7</td> <td>[26-6630]<br/>Default: 182ms</td> </tr> </tbody> </table> <p><i>Note: If SLEEP or ACTIVE mode is activated (+WBHV:1,1 or +WBHV:1,2 and a reset has been done for the activation of the consumption mode), blank duration value is null, because DTMF decoding feature is not available and therefore &lt;parameter2&gt; and &lt;parameter3&gt; = 0.</i></p> | Module                      | Step | <parameter2> | <parameter3> | WMP,<br>Q268x | 10ms | [1-255]<br>Default: 20 | [10-2550]<br>Default: 200ms | AR6220,<br>WP6200 | 26ms | [1-255]<br>Default: 7 | [26-6630]<br>Default: 182ms |
| Module            | Step          | <parameter2>                                                                                                                                                                                                                                                                                                                                                                                                                                                                                                                                                                                                                                                                                                                                                                                                                                                                                                                                                                                                                                                                                                                                                                                                                                             | <parameter3>                |      |              |              |               |      |                        |                             |                   |      |                       |                             |
| WMP,<br>Q268x     | 10ms          | [1-255]<br>Default: 20                                                                                                                                                                                                                                                                                                                                                                                                                                                                                                                                                                                                                                                                                                                                                                                                                                                                                                                                                                                                                                                                                                                                                                                                                                   | [10-2550]<br>Default: 200ms |      |              |              |               |      |                        |                             |                   |      |                       |                             |
| AR6220,<br>WP6200 | 26ms          | [1-255]<br>Default: 7                                                                                                                                                                                                                                                                                                                                                                                                                                                                                                                                                                                                                                                                                                                                                                                                                                                                                                                                                                                                                                                                                                                                                                                                                                    | [26-6630]<br>Default: 182ms |      |              |              |               |      |                        |                             |                   |      |                       |                             |
| 6                 | -             | get the current silent duration use to separate DTMF decoding                                                                                                                                                                                                                                                                                                                                                                                                                                                                                                                                                                                                                                                                                                                                                                                                                                                                                                                                                                                                                                                                                                                                                                                            |                             |      |              |              |               |      |                        |                             |                   |      |                       |                             |
| 8                 | 0             | set gain expression in dB unit (default value)                                                                                                                                                                                                                                                                                                                                                                                                                                                                                                                                                                                                                                                                                                                                                                                                                                                                                                                                                                                                                                                                                                                                                                                                           |                             |      |              |              |               |      |                        |                             |                   |      |                       |                             |
| 8                 | 1             | set gain expression in index                                                                                                                                                                                                                                                                                                                                                                                                                                                                                                                                                                                                                                                                                                                                                                                                                                                                                                                                                                                                                                                                                                                                                                                                                             |                             |      |              |              |               |      |                        |                             |                   |      |                       |                             |
| 8                 | -             | get gain expression mode state                                                                                                                                                                                                                                                                                                                                                                                                                                                                                                                                                                                                                                                                                                                                                                                                                                                                                                                                                                                                                                                                                                                                                                                                                           |                             |      |              |              |               |      |                        |                             |                   |      |                       |                             |
| 9                 | 0             | deactivate Enhanced Network Selection for Fixed Application feature (default value)                                                                                                                                                                                                                                                                                                                                                                                                                                                                                                                                                                                                                                                                                                                                                                                                                                                                                                                                                                                                                                                                                                                                                                      |                             |      |              |              |               |      |                        |                             |                   |      |                       |                             |
| 9                 | 1             | activate Enhanced Network Selection for Fixed Application feature                                                                                                                                                                                                                                                                                                                                                                                                                                                                                                                                                                                                                                                                                                                                                                                                                                                                                                                                                                                                                                                                                                                                                                                        |                             |      |              |              |               |      |                        |                             |                   |      |                       |                             |
| 9                 | -             | get Enhanced Network Selection for Fixed Application feature mode state                                                                                                                                                                                                                                                                                                                                                                                                                                                                                                                                                                                                                                                                                                                                                                                                                                                                                                                                                                                                                                                                                                                                                                                  |                             |      |              |              |               |      |                        |                             |                   |      |                       |                             |

### 6.3.4. Parameter Storage

<parameter1>, <parameter2> and <parameter3> are stored without using AT&W command. The default values can be restored using AT&F.

### 6.3.5. Examples

| Command                                                                                                 | Responses                                                                                                                                                                                                                                                                                                                                                         |
|---------------------------------------------------------------------------------------------------------|-------------------------------------------------------------------------------------------------------------------------------------------------------------------------------------------------------------------------------------------------------------------------------------------------------------------------------------------------------------------|
| <b>AT+WBHV=?</b>                                                                                        | +WBHV: 0, (0-1)<br>+WBHV: 1, (0-2)<br>+WBHV: 2, (0-1)<br>+WBHV: 3, (0-1), (0-1)<br>+WBHV: 4, (0-1)<br>+WBHV: 5, (0-1)<br>+WBHV: 6, (1-255), (10-2550)<br>+WBHV: 8, (0-1)<br>+WBHV: 9, (0-1)<br>OK<br><i>Note: Response on AirPrime WMP50, AirPrime WMP100</i><br><br>+WBHV: 6, (1-255), (26-6630)<br><i>Note: Specific response on AirPrime AR6220 and WP6200</i> |
| <b>AT+WBHV=0, 1</b><br><i>Note: Set modem response when audio path is opened</i>                        | OK<br><i>Note: Modem response is sent on audio path opened</i>                                                                                                                                                                                                                                                                                                    |
| <b>AT+WBHV=0</b><br><i>Note: Interrogate modem respond mode</i>                                         | +WBHV: 0, 1<br>OK                                                                                                                                                                                                                                                                                                                                                 |
| <b>AT+WBHV=1, 1</b><br><i>Note: Modem powerless mode</i>                                                | OK                                                                                                                                                                                                                                                                                                                                                                |
| <b>AT+WBHV=1</b><br><i>Note: Interrogate modem init mode</i>                                            | +WBHV: 1, 2<br>OK                                                                                                                                                                                                                                                                                                                                                 |
| <b>AT+WBHV=2, 1</b><br><i>Note: Modem response mode on a call: OK just after +WIND: 5,x indication</i>  | OK                                                                                                                                                                                                                                                                                                                                                                |
| <b>AT+WBHV=2</b><br><i>Note: Interrogate modem call respond mode</i>                                    | +WBHV: 2, 1<br>OK                                                                                                                                                                                                                                                                                                                                                 |
| <b>AT+WBHV=3, 0</b><br><i>Note: Deactivate ENS feature. The feature will be deactivated after reset</i> | OK                                                                                                                                                                                                                                                                                                                                                                |



| Command                                                                                            | Responses                                                                                                                                                                                                                                                                                                                                                                |
|----------------------------------------------------------------------------------------------------|--------------------------------------------------------------------------------------------------------------------------------------------------------------------------------------------------------------------------------------------------------------------------------------------------------------------------------------------------------------------------|
| <b>AT+WBHV=3,1</b><br><i>Note: Activate ENS feature. The feature will be activated after reset</i> | OK<br><i>Note: OK if STK session is already opened, else +CME ERROR: 3</i>                                                                                                                                                                                                                                                                                               |
| <b>AT+WBHV=3</b><br><i>Note: Interrogate ENS feature mode</i>                                      | +WBHV: 3,1,1<br>OK<br><i>Note: Third parameter &lt;1&gt; indicates that a embedded module reset is needed</i>                                                                                                                                                                                                                                                            |
| <b>AT+WBHV?</b>                                                                                    | +WBHV: 0,1<br>+WBHV: 1,1<br>+WBHV: 2,1<br>+WBHV: 3,1,1<br>+WBHV: 4,0<br>+WBHV: 5,0<br>+WBHV: 6,20,200<br>+WBHV: 8,0<br>+WBHV: 9,0,0<br>OK<br><i>Note: Third parameter &lt;1&gt; indicates that a embedded module reset is needed)</i><br><i>Note: Response on AirPrime WMP100</i><br><br>+WBHV: 6,7,182<br><i>Note: Specific response on AirPrime AR6220 and WP6200.</i> |
| <b>AT+CFUN=1</b>                                                                                   | OK                                                                                                                                                                                                                                                                                                                                                                       |
| <b>AT+WBHV=3</b>                                                                                   | +WBHV: 3,1,0<br>OK<br><i>Note: Third parameter &lt;0&gt; indicates that a embedded module reset is not needed</i>                                                                                                                                                                                                                                                        |

| Command                                                                                   | Responses                                                                                                                                                                                                                                                                               |
|-------------------------------------------------------------------------------------------|-----------------------------------------------------------------------------------------------------------------------------------------------------------------------------------------------------------------------------------------------------------------------------------------|
| <b>AT+WBHV?</b>                                                                           | +WBHV: 0,1<br>+WBHV: 1,1<br>+WBHV: 2,1<br>+WBHV: 3,1,0<br>+WBHV: 4,0<br>+WBHV: 5,0<br>+WBHV: 6,20,200<br>+WBHV: 8,0<br>+WBHV: 9,0,0<br>OK<br><i>Note1: Third parameter &lt;0&gt; indicates that a embedded module reset is not needed</i><br><i>Note2: Response on AirPrime WMP100.</i> |
| <b>AT&amp;F</b><br><i>Note: Restore factory settings</i>                                  | OK                                                                                                                                                                                                                                                                                      |
| <b>AT+WBHV=3</b>                                                                          | +WBHV: 3,0,1<br>OK<br><i>Note: Third parameter &lt;1&gt; indicates that a embedded module reset is needed since ENS feature before AT&amp;F was 1</i>                                                                                                                                   |
| <b>AT+WBHV=8,1</b><br><i>Note: Enable gain expression in index</i>                        | OK                                                                                                                                                                                                                                                                                      |
| <b>AT+WBHV=8</b><br><i>Note: Get gain expression state</i>                                | +WBHV: 8,1<br>OK                                                                                                                                                                                                                                                                        |
| <b>AT+WBHV=4,1</b><br><i>Note: Enable mix tone with voice</i>                             | OK                                                                                                                                                                                                                                                                                      |
| <b>AT+WBHV=4</b><br><i>Note: Get mix tone with voice feature state</i>                    | +WBHV: 4,1<br>OK                                                                                                                                                                                                                                                                        |
| <b>AT+WBHV=5,1</b><br><i>Note: Enable network registration denied indication</i>          | OK                                                                                                                                                                                                                                                                                      |
| <b>AT+WBHV=5</b><br><i>Note: Get network registration denied indication feature state</i> | +WBHV: 5,1<br>OK                                                                                                                                                                                                                                                                        |

| Command                                                                                                                                                                                                                                                    | Responses                                                                                                                                                                                                                      |
|------------------------------------------------------------------------------------------------------------------------------------------------------------------------------------------------------------------------------------------------------------|--------------------------------------------------------------------------------------------------------------------------------------------------------------------------------------------------------------------------------|
| <p><b>AT+WBHV=6</b></p> <p><i>Note: Get DTMF silent duration use to separate DTMF during a DTMF decoding</i></p>                                                                                                                                           | <p>+WBHV: 6,20,200</p> <p>OK</p> <p><i>Note: Response on AirPrime WMP100, AirPrime WMP50.</i></p> <p>+WBHV: 6,7,182</p> <p>OK</p> <p><i>Note: Specific response on AirPrime AR6220 and WP6200.</i></p>                         |
| <p><b>AT+WBHV=6,30</b></p> <p><i>Note: Set the duration used to separate DTMF during a DTMF decoding to:</i></p> <ul style="list-style-type: none"> <li>- 300 ms for AirPrime WMP100 and WMP50</li> <li>- 780 ms for AirPrime AR6220 and WP6200</li> </ul> | <p>OK</p>                                                                                                                                                                                                                      |
| <p><b>AT+WBHV=6</b></p> <p><i>Note: Get DTMF silent duration use to separate DTMF during a DTMF decoding</i></p>                                                                                                                                           | <p>+WBHV: 6,30,300</p> <p>OK</p> <p><i>Note: Response on AirPrime WMP100, AirPrime WMP50.</i></p> <p>+WBHV: 6,30,780</p> <p>OK</p> <p><i>Note: Specific response on AirPrime AR6220 and WP6200.</i></p>                        |
| <p><b>AT+WBHV=6,10,100</b></p>                                                                                                                                                                                                                             | <p>+CME ERROR:3</p> <p><i>Note: parameter2 and parameter3 are not used.</i></p>                                                                                                                                                |
| <p><b>AT+WBHV=6,,250</b></p> <p><i>Note: Set the duration used to separate DTMF during a DTMF decoding to 250 ms</i></p>                                                                                                                                   | <p>OK</p>                                                                                                                                                                                                                      |
| <p><b>AT+WBHV=6</b></p>                                                                                                                                                                                                                                    | <p>+WBHV: 6,25,250</p> <p>OK</p> <p><i>Note: Response on AirPrime WMP100, AirPrime WMP50.</i></p> <p>+WBHV: 6,10,260</p> <p>OK</p> <p><i>Note: Specific response on Air Prime AR6220 and WP6200 as a round up is done.</i></p> |
| <p><b>AT+WBHV=6,,251</b></p>                                                                                                                                                                                                                               | <p>OK</p> <p><i>Note: A round up is done. The duration used to separate DTMF during a DTMF decoding is:</i></p> <p>260 ms for a AirPrime WMP100, AirPrime WMP50,...</p>                                                        |

| Command                                                                                                                       | Responses                                                                                                                                                                                                                                                                                                                                                               |
|-------------------------------------------------------------------------------------------------------------------------------|-------------------------------------------------------------------------------------------------------------------------------------------------------------------------------------------------------------------------------------------------------------------------------------------------------------------------------------------------------------------------|
| <b>AT+WBHV=6</b><br><i>Note: Get DTMF silent duration use to separate DTMF during a DTMF decoding</i>                         | +WBHV: 6,26,260<br>OK<br><i>Note: Specific response on AirPrime WMP100, AirPrime WMP50, AirPrime AR6220 and WP6200 after a round up has been done</i>                                                                                                                                                                                                                   |
| <b>AT+WBHV=9,0</b><br><i>Note: Deactivate Enhanced Network Selection feature. The feature will be deactivated after reset</i> | OK                                                                                                                                                                                                                                                                                                                                                                      |
| <b>AT+WBHV=9,1</b><br><i>Note: Activate Enhanced Network Selection feature. The feature will be activated after reset</i>     | OK                                                                                                                                                                                                                                                                                                                                                                      |
| <b>AT+WBHV=9</b><br><i>Note: Interrogate Enhanced Network Selection feature mode</i>                                          | +WBHV: 9,1,1<br>OK<br><i>Note: Third parameter &lt;1&gt; indicates that a embedded module reset is needed</i>                                                                                                                                                                                                                                                           |
| <b>AT+WBHV?</b>                                                                                                               | +WBHV: 0,0<br>+WBHV: 1,0<br>+WBHV: 2,0<br>+WBHV: 3,0,1<br>+WBHV: 4,1<br>+WBHV: 5,1<br>+WBHV: 6,26,260<br>+WBHV: 8,1<br>+WBHV: 9,1,1<br>OK<br><i>Note: Third parameter &lt;1&gt; indicates that a embedded module reset is needed).</i><br><i>Note: Response on AirPrime WMP100.</i><br>+WBHV: 6,10,260<br><i>Note: Specific response on AirPrime AR6220 and WP6200.</i> |
| <b>AT+CFUN=1</b>                                                                                                              | OK                                                                                                                                                                                                                                                                                                                                                                      |

| Command                                                  | Responses                                                                                                                                                                                                                                                                                                                                                                     |
|----------------------------------------------------------|-------------------------------------------------------------------------------------------------------------------------------------------------------------------------------------------------------------------------------------------------------------------------------------------------------------------------------------------------------------------------------|
| <b>AT+WBHV?</b>                                          | +WBHV: 0,0<br>+WBHV: 1,0<br>+WBHV: 2,0<br>+WBHV: 3,0,0<br>+WBHV: 4,1<br>+WBHV: 5,1<br>+WBHV: 6,26,260<br>+WBHV: 8,1<br>+WBHV: 9,1,0<br>OK<br><i>Note: Third parameter &lt;0&gt; indicates that a embedded module reset is not needed</i><br><i>Note: Response on AirPrime WMP100.</i><br><br>+WBHV: 6,10,260<br><i>Note: Specific response on AirPrime AR6220 and WP6200.</i> |
| <b>AT&amp;F</b><br><i>Note: Restore factory settings</i> | OK                                                                                                                                                                                                                                                                                                                                                                            |
| <b>AT+WBHV=9</b>                                         | +WBHV: 9,0,1<br>OK<br><i>Note: Third parameter &lt;1&gt; indicates that a embedded module reset is needed since the feature before AT&amp;F was 1</i>                                                                                                                                                                                                                         |

### 6.3.6. Notes

If <parameter1> value is 0, the command is used to configure when the embedded module sends the response of an outgoing voice call.

If <parameter1> value is 1, the command is used to configure the embedded module power consumption mode.

If <parameter1> value is 2, the command is used to configure when the embedded module sends the response for a call.

If <parameter1> value is 3, the command is used to activate/deactivate ENS feature.

If <parameter1> value is 3, new setting will be taken into account only after a embedded module reset. To be able to activate ENS Feature, a STK session must be opened (AT+STSF=1), otherwise +CME ERROR: 3 occurs.

The mix tone with voice feature (<parameter1>= 4) does not allow cutting the voice when the embedded module plays a tone during a voice communication.

The network registration denied indication feature (<parameter1>= 5) is used to change the +CREG indication response to return the cause of the network registration reject.

The DTMF blank duration feature (<parameter1>= 6) is used to configure the threshold in ms used to separate 2 DTMF when we use the DTMF decoding feature.

The gain expression mode (<parameter1>= 8) allows to choose how to express gain for audio command (ex:+WTONE). The gain can be expressed in dB unit or in index (see table in the corresponding AT command paragraph).

The Enhanced Network Selection for Fixed Application feature (<parameter>=9) is used to speed up the embedded module registration to the network at switch on and when it stays in a fixed location. This feature also enhances the embedded module power consumption.

If <parameter1> value is 9, new setting will be taken into account only after a embedded module reset or GSM stack restart (AT+CFUN=1,0).

---

*Note: Enhanced Network Selection for Fixed Application feature is not supported for AirPrime SL808xT and Q2698 embedded modules.*

---

## 6.4. Features Management +WFM



### 6.4.1. Description

This Sierra Wireless proprietary command enables or disables specific selected features.

Once a feature is successfully enabled or disabled, the product needs to be reset to take the modification into account.

### 6.4.2. Syntax

#### Action command

```
AT+WFM=<mode>[,<FtrID>]
[+WFM: <FtrID>,<status>,<resetFlag>
[+WFM: <FtrID>,<status>,<resetFlag>[...]]
OK
```

#### Read command

None

#### Test command

None

### 6.4.3. Parameters and Defined Values

|                      |                                                                                                                                                 |
|----------------------|-------------------------------------------------------------------------------------------------------------------------------------------------|
| <b>&lt;mode&gt;:</b> | requested operation                                                                                                                             |
| 0                    | disable feature <FtrID>                                                                                                                         |
| 1                    | enable feature <FtrID>                                                                                                                          |
| 2                    | get the feature <ftrID> state<br>If the <FtrID> parameter is not used, the status of all the features are listed (with several +WFM responses). |

**<FtrID>:** feature identification

The +WFM response only uses alphabetical values for the <FtrID> parameter.

For <FtrID> values with two digits (like 1x, 6x or 8x), the <mode> 0 value is not "allowed". When a "xa" feature is enabled, enabling another "xb" feature will automatically disable the "xa" feature.

| numerical | alphabetical    |                                                   |
|-----------|-----------------|---------------------------------------------------|
| 11        | "MONO900"       | mono-band mode 900 MHz (default: 0)               |
| 12        | "MONO1800"      | mono-band mode 1800 MHz (default:0)               |
| 13        | "MONO1900"      | mono-band mode 1900 MHz (default:0)               |
| 14        | "BI9001800"     | dual-band mode 900/1800 MHz (default: 0)          |
| 15        | "BI9001900"     | dual-band mode 900/1900 MHz (default: 0)          |
| 16        | "MONO850"       | mono-band mode 850 MHz (default: 0)               |
| 17        | "BI8501900"     | dual-band mode 850/1900 MHz (default: 0)          |
| 18        | "QUADBAND"      | quad-band mode 850/900/1800/1900 MHz (default: 1) |
| 2         | "EFR"           | enhanced full rate feature (default: 1)           |
| 3         | "HR"            | half rate feature (default: 1)                    |
| 4         | "DTXDATA"       | data with DTX feature (default: 1)                |
| 5         | "DATA144"       | data 14.4 kbits/s feature (default: 1)            |
| 61        | "SIM3VONLY"     | 3V SIM voltage mode (default: 0)                  |
| 62        | "SIM1V8ONLY"    | 1,8V SIM voltage mode (default: 0)                |
| 63        | "SIM1V8AND3V"   | 1,8V and 3V SIM voltage mode (default: 1)         |
| 7         | "SIMREMOVE"     | SIM removal feature (default: 1)                  |
| 8         | "OFFWHENUNPLUG" | off when unplug mode (default: 0)                 |
| 9         | "SWITCHATT"     | switch attenuation feature (default: 1)           |
| A         | "CPHS"          | CPHS feature (default: 1)                         |
| B         | "SIMSPEEDENH"   | SIM speed enhancement feature (default:1)         |
| C         | "LOCA"          | location feature (default: 0)                     |
| D         | "AMR"           | AMR feature (default: 1)                          |
| E         | "NT_6K"         | NIRR bit management for network (default: 1)      |



|                           |                                                                                                                                     |
|---------------------------|-------------------------------------------------------------------------------------------------------------------------------------|
| <b>&lt;status&gt;:</b>    | feature <FtrID> status                                                                                                              |
| 0                         | disabled                                                                                                                            |
| 1                         | enabled                                                                                                                             |
| <b>&lt;resetFlag&gt;:</b> | indicate if the embedded module must be reset to take into account the feature <ftrID> state change.                                |
| 0                         | The feature has not been modified since the last boot of the product.                                                               |
| 1                         | The feature has been modified since the last boot of the product; a reset must be performed to take the modifications into account. |

## 6.4.4. Parameter Storage

The <status> parameter is stored in EEPROM without using AT&W.

## 6.4.5. Examples

| Command                                                                          | Responses                                                                      |
|----------------------------------------------------------------------------------|--------------------------------------------------------------------------------|
| <b>AT+WFM=2,"BI9001800"</b>                                                      | +WFM: "BI9001800",1,0<br>OK<br><i>Note: Dual-band mode 900/1800 is enabled</i> |
| <b>AT+WFM=0,"EFR"</b><br><br><i>Note: Disable the Enhanced full rate feature</i> | OK                                                                             |

| Command                                    | Responses                                                                                                                                                                                                                                                                                                                                                                                                                                                                                                                  |
|--------------------------------------------|----------------------------------------------------------------------------------------------------------------------------------------------------------------------------------------------------------------------------------------------------------------------------------------------------------------------------------------------------------------------------------------------------------------------------------------------------------------------------------------------------------------------------|
| AT+WFM=2                                   | <pre> +WFM: "MONO900",0,0 +WFM: "MONO1800",0,0 +WFM: "MONO1900",0,0 +WFM: "BI9001800",1,0 +WFM: "BI9001900",0,0 +WFM: "MONO850",0,0 +WFM: "BI8501900",0,0 +WFM: "QUADBAND",0,0 +WFM: "EFR",0,1 +WFM: "HR",1,0 +WFM: "DTXDATA",1,0 +WFM: "DATA144",1,0 +WFM: "SIM3VONLY",0,0 +WFM: "SIM1V8ONLY",0,0 +WFM: "SIM1V8AND3V",1,0 +WFM: "SIMREMOVE",1,0 +WFM: "OFFWHENUNPLUG",0,0 +WFM: "SWITCHATT",1,0 +WFM: "CPHS",1,0 +WFM: "SIMSPEEDENH",0,0 +WFM: "LOCA",0,0 +WFM: "AMR",0,0 +WFM: "NT_6K",1,0 OK                     </pre> |
| <i>Note : Get all &lt;FtrID&gt; status</i> | <i>Note: The modified features have their &lt;resetFlag&gt; parameter set to 1.</i>                                                                                                                                                                                                                                                                                                                                                                                                                                        |

### 6.4.6. Notes

- "MONO900", "MONO850", "MONO1800", "MONO1900", "BI9001900", "BI9001800", "BI8501900" and "QUADBAND" features are read-only. In order to change the band selection, use the +WMBS command.
- The "SIMREMOVE" feature and AT+WIND=1 enable "+WIND: 1" and "+WIND: 2" unsolicited responses for SIM insertion and extraction.
- When the "OFFWHENUNPLUG" feature is activated, if the pin interrupt is set, an AT+CPOF is executed.
- When the "SWITCHATT" feature is activated, the switch attenuation algorithm is available to the +ECHO command.
- "AMR" feature can only be activated for AMR product. If the AMR function is not available, its activation or deactivation has neither effect nor error response.
- "SIMREMOVE" feature cannot be changed for product using the InSIM v1 (i.e. product that used only the internal SIM without any way to connect an external SIM).

## 6.5. Commercial Feature Management +WCFM



### 6.5.1. Description

This Sierra Wireless proprietary command enables or disables Sierra Wireless specific features. Disabling a feature can be done with no restriction, but a password is required to enable features. This command is used only on request of Sierra Wireless

Once a feature is successfully enabled or disabled, the product needs to be reset to take the modification into account.

### 6.5.2. Syntax

#### Action command

```
AT+WCFM=<mode>[,<FtrMask>[,<PassWord>]]
```

```
[+WCFM: <FtrMask>,<resetFlag>]
```

OK

#### Read command

None

#### Test command

None

### 6.5.3. Parameters and Defined Values

#### <mode>:

|   |                                                                                                                                                             |
|---|-------------------------------------------------------------------------------------------------------------------------------------------------------------|
|   | requested operation                                                                                                                                         |
| 0 | disable some features of <FtrMask>                                                                                                                          |
| 1 | enable some features of <FtrMask>                                                                                                                           |
| 2 | display the features state                                                                                                                                  |
| 3 | Obsolete mode (disabled some extended commercial features of <FtrMask>). This mode does not impact the embedded module even if the returned response is OK. |

|                           |  |                                                                                                                                                                                                                        |
|---------------------------|--|------------------------------------------------------------------------------------------------------------------------------------------------------------------------------------------------------------------------|
| 4                         |  | Obsolete mode (enabled some extended commercial features of <FtrMask>). This mode does not impact the embedded module even if the returned response is OK.                                                             |
| 5                         |  | Obsolete mode (displayed the extended commercial features state. These extended commercial features are not locked anymore. The returned value should not be taken into account. This mode is kept for compatibility). |
| <b>&lt;FtrMask&gt;:</b>   |  |                                                                                                                                                                                                                        |
|                           |  | features mask                                                                                                                                                                                                          |
|                           |  | 16 bits hexadecimal string                                                                                                                                                                                             |
|                           |  | commercial features ( <mode>=0, <mode>=1 or <mode>=2) :                                                                                                                                                                |
| 02                        |  | "Reserved for future use" (old obsolete GPRS Class 2 feature. Now, this feature is always activated)                                                                                                                   |
| 04                        |  | "Reserved for future use" (old obsolete embedded module Highest GPRS CLASS feature. Now, this feature is always activated)                                                                                             |
| 08                        |  | "Reserved for future use" (old obsolete WAP feature)                                                                                                                                                                   |
| 10                        |  | "Reserved for future use"(old obsolete Open AT Bluetooth Library)                                                                                                                                                      |
| 20                        |  | Echo Cancellation Algorithm                                                                                                                                                                                            |
| 40                        |  | EDGE (EGPRS)                                                                                                                                                                                                           |
| 80                        |  | Sierra Wireless debug feature                                                                                                                                                                                          |
| 100                       |  | "Reserved for future use" (old obsolete AT Parser Lock feature)                                                                                                                                                        |
| 200                       |  | DOTA 3                                                                                                                                                                                                                 |
| 400                       |  | AirPrime Management Services Third Server                                                                                                                                                                              |
| 800                       |  | "Reserved for future use"                                                                                                                                                                                              |
| <b>&lt;PassWord&gt;:</b>  |  |                                                                                                                                                                                                                        |
|                           |  | password for feature unlocking                                                                                                                                                                                         |
|                           |  | 256 bits hexadecimal string                                                                                                                                                                                            |
| <b>&lt;resetFlag&gt;:</b> |  |                                                                                                                                                                                                                        |
|                           |  | reset flag                                                                                                                                                                                                             |
| 0                         |  | The feature has not been modified since the last boot of the product.                                                                                                                                                  |
| 1                         |  | The feature has been modified since the last boot of the product; a reset must be performed to take the modifications into account.                                                                                    |

## 6.5.4. Parameter Storage

The <FtrMask> parameter is stored in EEPROM without using AT&W.

### 6.5.5. Examples

| Command                                                                                                                                    | Responses                                                                                                                                                                                            |
|--------------------------------------------------------------------------------------------------------------------------------------------|------------------------------------------------------------------------------------------------------------------------------------------------------------------------------------------------------|
| <p><b>AT+WCFM=2</b><br/><i>Note: Display the feature status</i></p>                                                                        | <p>+WCFM: "AAAA", 0<br/>OK</p>                                                                                                                                                                       |
| <p><b>AT+WCFM=0, "0A00"</b><br/><i>Note: Disable some features</i></p>                                                                     | <p>OK</p>                                                                                                                                                                                            |
| <p><b>AT+WCFM=2</b><br/><br/><i>Note: Display the feature status</i></p>                                                                   | <p>+WCFM: "0A00", 1<br/>OK<br/><br/><i>Note: &lt;resetFlag&gt; parameter indicates if a reset is necessary</i><br/><br/><i>A reset must be performed to take the modifications into account.</i></p> |
| <p><b>AT+WCFM=1, "0003", "1234567890ABCDEF1234567890ABCDEF1234567890ABCDEF1234567890ABCDEF"</b><br/><br/><i>Note : Enable features</i></p> | <p>OK<br/><br/><i>Note: The features are enabled (the password is correct)</i></p>                                                                                                                   |

## 6.6. Sierra Wireless SLEEP Mode +W32K



### 6.6.1. Description

This Sierra Wireless proprietary command allows the SLEEP mode to be enabled or disabled. This command also enables to user to ignore or not the DTR signal for the SLEEP mode.

With this command, a specific procedure on RS232 serial link is requested to activate or deactivate SLEEP mode.

### 6.6.2. Syntax

#### Action command

```
AT+W32K=<mode>[,<DTRSignalUsed>]
```

OK

#### Read command

```
AT+W32K?
```

```
+W32K: <mode>[,<DTRSignalUsed>]
```

OK

#### Test command

None

### 6.6.3. Parameters and Defined Values

|                              |                                                                                                                        |
|------------------------------|------------------------------------------------------------------------------------------------------------------------|
| <b>&lt;mode&gt;:</b>         | SLEEP mode                                                                                                             |
| 0                            | disable                                                                                                                |
| 1                            | enable                                                                                                                 |
| <b>&lt;DTRSignalUsed&gt;</b> | indicate if the DTR signal is used to enter/leave the SLEEP mode                                                       |
| 0                            | The DTR signal is ignored to enter the SLEEP mode. When using this setting, the SLEEP cannot be left by using the DTR. |
| 1                            | The DTR signal is used to enter or leave the SLEEP mode (default)                                                      |

## 6.6.4. Parameter Storage

None.

## 6.6.5. Examples

| Command                                                                                 | Responses                                                                                                   |
|-----------------------------------------------------------------------------------------|-------------------------------------------------------------------------------------------------------------|
| <b>AT+W32K=1</b><br><i>Note: Enable SLEEP mode</i>                                      | OK<br><i>Note: 32kHz SLEEP mode is enabled and the DTR signal is used to enter/leave SLEEP mode.</i>        |
| <b>AT+W32K=0</b><br><i>Note: Disable SLEEP mode</i>                                     | OK<br><i>Note: SLEEP mode is disabled.</i>                                                                  |
| <b>AT+W32K=1,0</b><br><i>Note: Enable 32kHz SLEEP mode without using the DTR signal</i> | OK<br><i>Note: 32kHz SLEEP mode is enabled and the DTR signal is ignored to enter/leave the SLEEP mode.</i> |
| <b>AT+W32K=0</b><br><i>Note: Disable 32kHz SLEEP mode</i>                               | OK<br><i>Note: 32kHz SLEEP mode is disabled</i>                                                             |

## 6.6.6. Notes

- When power down mode is entered, the product uses a 32kHz internal clock during inactivity stages (despite of its nominal internal clock).
- When enabled, power down mode is active after 1 to 15 seconds. The mode is not stored in EEPROM: the command has to be repeated after a reset.
- When enabled with "the DTR signal ignored", DTR signal is not taken into account to enter or leave the SLEEP mode. The customer application needs to focus particularly on all sleep and wake-up conditions without using the UART.
- The optional parameter <DTRSignalUsed> only applies to UART1 (and not UART2, CMUX virtual ports).
- For additional information
  - about power down mode, see Application Note on Power Down Control via RS232,
  - about embedded module's working modes, please refer to the Appendixes of the AT Commands Interface Guide,
  - about RS232 serial link procedure to activate or deactivate the SLEEP mode, please refer to the Appendixes of the AT Commands Interface Guide.
- When enabled with "the DTR signal ignored" the embedded module exits slow idle mode on keypress from the DTE side and re-enters slow idle mode after all Open AT treatments.

- In case of AT+w32k=1.0, the CTS signal of the DTE would remain logic high. This is in contrast with the behavior in AT+W32k=1 where the CTS signal follows the DTR (CTS goes to logical low when DTR is dropped from the DTE side).  
In case of AT+32k=1.0, the CTS signal retains the logical high state so that the DTE can wake up the module by sending a character (and that the flow control on the PC side does not prevent it from sending data when in flow idle mode).
- By entering into 32kHz mode, the watchdog functionality of the unit will be turned OFF i.e. if a problem occurs within the application, the unit will not power cycle to recover the unit. To ensure full system recovery in this situation, an external watchdog needs to be implemented.



## 6.7. Power Off +CPOF



### 6.7.1. Description

This Sierra Wireless proprietary command allows configuring the embedded module in one of the two low power modes: Off or Alarm (as described in the Technical appendix: Working mode), after executing or not an IMSI DETACH procedure.

*Note:* In autobaud mode, after a +CPOF unsolicited information waking up the embedded module is sent at 9600 bps until an AT command is sent. When an AT command is sent, the embedded module will synchronize to the sender speed. (See CAUTION in section 8.2 Fixed DTE rate +IPR in Serial Ports Commands section).

### 6.7.2. Syntax

*Action command*

**AT+CPOF[=<Mode>[,<Low Power Mode>]]**

OK

*Read command*

None

*Test command*

**AT+CPOF=?**

OK

### 6.7.3. Parameters and Defined Values

|                                |                                                                                            |
|--------------------------------|--------------------------------------------------------------------------------------------|
| <b>&lt;mode&gt;:</b>           | Mode :                                                                                     |
|                                | Indicates if the product executes an IMSI DETACH procedure before going to low power mode. |
| 0                              | An IMSI DETACH procedure will be launched [default mode if omitted]                        |
| 1                              | No IMSI DETACH procedure will be launched                                                  |
|                                | <i>Note: The module goes quicker to the low power mode</i>                                 |
| <b>&lt;low power mode&gt;:</b> | Low power mode                                                                             |
|                                | Indicates the type of power mode                                                           |

|   |                                                                                                                 |
|---|-----------------------------------------------------------------------------------------------------------------|
| 0 | OFF Mode [Default mode if omitted]                                                                              |
| 1 | Alarm Mode<br><i>Note: This parameter is only available to the AirPrime AR6220 and WP6200 embedded modules.</i> |

*Note: This command is sensitive to the ON/OFF signal. The product reaches the different low power modes: Off or Alarm (or the active mode with RADIO or SIM off) depending how the ON/OFF signal is configured. This configuration is to be found in the Product Technical Specification document.*

## 6.7.4. Parameter Storage

None.

## 6.7.5. Examples

| Command                                                                                                                                                                 | Responses |
|-------------------------------------------------------------------------------------------------------------------------------------------------------------------------|-----------|
| <b>AT+CPOF</b><br><i>Note: Stops the GSM stack and put the module in low power mode.</i>                                                                                | OK        |
| <b>AT+CPOF=0</b><br><i>Note : Identical to AT+CPOF</i>                                                                                                                  | OK        |
| <b>AT+CPOF=0, 0</b><br><i>Note : Identical to AT+CPOF</i>                                                                                                               | OK        |
| <b>AT+CPOF=0, 1</b><br><i>Note: Stops the GSM stack and put the module in ALARM mode. (Only available on the AirPrime AR6220 and WP6200 embedded modules.)</i>          | OK        |
| <b>AT+CPOF=1</b><br><i>Note: Put the module in low power mode without stopping GSM stack first</i>                                                                      | OK        |
| <b>AT+CPOF=1, 0</b><br><i>Note: As AT+CPOF=1</i>                                                                                                                        | OK        |
| <b>AT+CPOF=1, 1</b><br><i>Note: Put the module in ALARM mode without stopping GSM stack first. (Only available on the AirPrime AR6220 and WP6200 embedded modules.)</i> | OK        |
| <b>AT+CPOF=0, 1</b><br><i>Note: Error on modules other than AirPrime AR6220 and WP6200 embedded modules</i>                                                             | ERROR     |
| <b>AT+CPOF=1, 1</b><br><i>Note: Error on modules other than AirPrime AR6220 and WP6200 embedded modules</i>                                                             | ERROR     |

## 6.8. Set Phone Functionality +CFUN



### 6.8.1. Description

This command selects the functionality level for the mobile station.

When the application wants to force the product to execute an IMSI DETACH procedure, then it must send:

AT+CFUN=0 This command executes an IMSI DETACH and makes a backup copy of some internal parameters in SIM and in EEPROM. The SIM card cannot be accessed.

If the mobile equipment is not powered off by the application after this command has been sent, a restart command (AT+CFUN=1 or AT+CFUN=1,1) will have to be issued to restart the GSM registration process.

If the mobile equipment is turned off after this command is issued, a power on will restart the GSM registration process.

The AT+CFUN=1 (or AT+CFUN=1,1) command restarts the entire GSM stack and GSM functionality: a complete software reset is performed. All parameters are reset to their previous values if AT&W was not used.

The AT+CFUN=1,0 command set the MT full functionality without reset. The command can be used after a AT+CFUN=0, AT+CPOF or AT+CFUN=4, else a +CME ERROR: 3 is returned. The RF and SIM are accessible.

The AT+CFUN=4 command stops the RF (performs an IMSI DETACH if the Wireless CPU<sup>®</sup> is registered) and keep access to the SIM. All AT commands related to SIM access are allowed.

After performing a POWER OFF using +CPOF or after performing AT+CFUN=0 command, the AT+CFUN=4 command returns +CME ERROR: 3.

If entries are written in the phonebook (+CPBW) and if the product is reset directly before +CPBW response (AT+CFUN=1 or AT+CFUN=1,1, with no previous AT+CFUN=0 command), some entries may be lost (the SIM task does not have enough time to write entries in the SIM card).

In addition, the OK response will be sent at the last saved (AT&W) baud rate defined by the +IPR command. With the autobauding mode, the response can be sent at a different baud rate, it is therefore preferable to save the defined baud rate with AT&W before sending the AT+CFUN=1 (or AT+CFUN=1,1) command.

Normally, when using UART1 or UART2 to manage the embedded module, the OK response is sent to the application after the embedded module reset.

---

**Caution:** *When using the emulated serial port, the OK response is not provided. In addition, the embedded module reset will cause the USB stack to stop. From the host's point of view, it is similar to a USB cable disconnection. As a consequence, the host will uninstall the Sierra Wireless USB driver and the application will reference a non valid driver.*

---

## 6.8.2. Syntax

### *Action command*

**AT+CFUN=<fun>[,<rst>]**

OK

### *Read command*

**AT+CFUN?**

+CFUN: <fun>

OK

### *Test command*

**AT+CFUN=?**

+CFUN: (list of supported <fun>s), (list of supported <rst>s)

OK

## 6.8.3. Parameters and Defined Values

|                     |                                                                                  |
|---------------------|----------------------------------------------------------------------------------|
| <b>&lt;fun&gt;:</b> | functionality level                                                              |
| 0                   | set minimum functionality, IMSI detach procedure and SIM stop                    |
| 1                   | set the full functionality mode with a complete software reset                   |
| 4                   | only stop the RF (IMSI detach procedure) and keep access to the SIM              |
| <b>&lt;rst&gt;:</b> | reset (only for <fun> equals 1)                                                  |
| 0                   | do not reset the MT before setting it to full functionality power level          |
| 1                   | reset the MT before setting it to full functionality power level (default value) |

## 6.8.4. Parameter Storage

None.

## 6.8.5. Examples

| Command                                                                                                  | Responses                                                                       |
|----------------------------------------------------------------------------------------------------------|---------------------------------------------------------------------------------|
| <b>AT+CFUN=?</b>                                                                                         | +CFUN: (0,1,4), (0,1)<br>OK                                                     |
| <b>AT+CFUN?</b><br><br><i>Note: Ask for current functionality level</i>                                  | +CFUN: 1<br>OK<br><i>Note: Full functionality</i>                               |
| <b>AT+CFUN=0</b><br><br><i>Note: Set minimum functionality, IMSI detach procedure</i>                    | OK                                                                              |
| <b>AT+CFUN=1,0</b><br><br><i>Note: Set the full functionality mode without a complete software reset</i> | OK                                                                              |
| <b>AT+CFUN=1,0</b>                                                                                       | +CME ERROR: 3<br><i>Note: No Power Off done before (CFUN=0, CFUN=4 or CPOF)</i> |
| <b>AT+CFUN=4</b><br><br><i>Note: Stop the RF and keep SIM access</i>                                     | OK                                                                              |
| <b>AT+CFUN=1</b><br><br><i>Note: Set the full functionality mode with a complete software reset</i>      | OK                                                                              |

## 6.9. Sierra Wireless Reset +WRST



### 6.9.1. Description

This Sierra Wireless proprietary command resets the embedded module after a programmed delay. The embedded module will reset cyclically until this mode is disabled.

### 6.9.2. Syntax

#### Action command

```
AT+WRST=<Mode>[,<Delay>]
```

OK

#### Read command

```
AT+WRST?
```

```
+WRST: <Mode>[,<Delay>,<RemainTime>]
```

OK

#### Test command

```
AT+WRST=?
```

OK

### 6.9.3. Parameters and Defined Values

|                            |                                                                                    |
|----------------------------|------------------------------------------------------------------------------------|
| <b>&lt;Mode&gt;:</b>       | timer reset mode                                                                   |
| 0                          | disabled                                                                           |
| 1                          | enabled                                                                            |
| <b>&lt;Delay&gt;:</b>      | time set to reset the embedded module<br>range: "000:01"- "168:59" (format hhh:mm) |
| <b>&lt;RemainTime&gt;:</b> | time before next reset<br>range: "000:01"- "168:59" (format hhh:mm)                |

## 6.9.4. Parameter Storage

The <Mode> and <Delay> parameters are stored in EEPROM without using AT&W.

## 6.9.5. Examples

| Command                                                                                    | Responses                                                                                                                                                  |
|--------------------------------------------------------------------------------------------|------------------------------------------------------------------------------------------------------------------------------------------------------------|
| <b>AT+WRST=0</b><br><i>Note: Disable timer</i>                                             | OK                                                                                                                                                         |
| <b>AT+WRST=1 , "001:03"</b><br><i>Note: Enable timer and set delay at 1 hour 3 minutes</i> | OK                                                                                                                                                         |
| <b>AT+WRST?</b>                                                                            | +WRST: 1, "001:03", "001:01"<br><br>OK<br><br><i>Note: Timer activated to reset after 1hour and 3 minutes., next reset is set for 1 hour and 1 minute.</i> |

## 6.9.6. Notes

---

**Caution:** *The +WRST command is strictly forbidden when the user application communicates with the Sierra Wireless embedded module by using the USB serial port.*

---

## 6.10. Save Configuration &W



### 6.10.1. Description

This command writes the active configuration into a non-volatile memory (EEPROM).

### 6.10.2. Syntax

*Action command*

**AT&W**

OK

*Read command*

None

*Test command*

None

### 6.10.3. Parameters and Defined Values

None.

### 6.10.4. Parameter Storage

None.



## 6.10.5. Examples

| Command                                                            | Responses        |
|--------------------------------------------------------------------|------------------|
| <b>AT+IPR=9600</b><br><i>Note: Change data rate in memory only</i> | OK               |
| <b>AT&amp;W</b>                                                    | OK               |
| <b>AT+CFUN=1</b>                                                   | OK               |
| <b>AT+IPR?</b>                                                     | +IPR: 9600<br>OK |

## 6.11. Restore Factory Settings &F



### 6.11.1. Description

This command is used to restore factory settings from EEPROM.

### 6.11.2. Syntax

*Action command*

**AT&F [<n>]**

OK

*Read command*

None

*Test command*

None

### 6.11.3. Parameters and Defined Values

|                   |                                                                                                    |
|-------------------|----------------------------------------------------------------------------------------------------|
| <b>&lt;n&gt;:</b> | setting restore parameter                                                                          |
|                   | If <n> is not omitted and with a value different from 0, the response is OK without any treatment. |
| 0                 | restore factory settings                                                                           |

### 6.11.4. Parameter Storage

None.

## 6.11.5. Examples

| Command                                                                 | Responses               |
|-------------------------------------------------------------------------|-------------------------|
| <b>AT&amp;F</b><br><i>Note: Asks for restoring the factory settings</i> | OK<br><i>Note: Done</i> |
| <b>AT&amp;FO</b><br><i>Note: Idem</i>                                   | OK<br><i>Note: Done</i> |

## 6.11.6. Notes

For each parameter, the section "Parameter Storage" specifies which default values can be restored using AT&F. The parameters are restored in RAM and in E2P, overwriting the profile set with AT&W.

This command does not update the +IPR command.

## 6.12. Default Configuration ATZ



### 6.12.1. Description

This command restores the configuration profile from non-volatile memory (EEPROM).

### 6.12.2. Syntax

*Action command*

**ATZ**

OK

*Read command*

None

*Test command*

None

### 6.12.3. Parameters and Defined Values

None.

### 6.12.4. Parameter Storage

None

## 6.12.5. Examples

| Command                                                            | Responses                                                             |
|--------------------------------------------------------------------|-----------------------------------------------------------------------|
| <b>AT+IPR?</b>                                                     | +IPR: 115200<br>OK<br><i>Note: Default value is in EEPROM</i>         |
| <b>AT+IPR=9600</b><br><i>Note: Change data rate in memory only</i> | OK                                                                    |
| <b>AT+IPR?</b>                                                     | +IPR: 9600<br>OK                                                      |
| <b>ATZ</b>                                                         | OK                                                                    |
| <b>AT+IPR?</b>                                                     | +IPR: 115200<br>OK<br><i>Note: Default value set back from EEPROM</i> |

## 6.13. Display Configuration &V



### 6.13.1. Description

This command is used to display the embedded module configuration.

### 6.13.2. Syntax

#### Action command

**AT&V[<n>]**

```
Q:<val1> V:<val2> S0:<val3> S2:<val4> S3:<val5> S4:<val6> S5:<val7>
+CR:<val8> +CRC:<val9> +CMEE:<val10> +CBST:<val11>
+SPEAKER:<val12> +ECHO:<val13> &C:<val14> &D:<val15> %C:<val16>
[+IPR:<val17>] +ICF:<val18> +IFC:<val19>
```

OK

*Note: For each <valx> parameter, please refer to the corresponding command.*

#### Read command

None

#### Test command

None

### 6.13.3. Parameters and Defined Values

|                   |                                                                                           |
|-------------------|-------------------------------------------------------------------------------------------|
| <b>&lt;n&gt;:</b> | display control parameter                                                                 |
| 0                 | display the embedded module configuration in RAM (default value if no parameter provided) |
| 1                 | display the embedded module configuration in EEPROM                                       |
| 2                 | display the embedded module factory configuration                                         |

## 6.13.4. Parameter Storage

None.

## 6.13.5. Examples

| Command                                       | Responses                                                                                                                                                                                                             |
|-----------------------------------------------|-----------------------------------------------------------------------------------------------------------------------------------------------------------------------------------------------------------------------|
| <b>AT&amp;V</b>                               | <pre>Q:0 V:1 S0:000 S2:043 S3:013 S4:010 S5:008 +CR:0 +CRC:0 +CMEE:0 +CBST:0,0,1 +SPEAKER:0 +ECHO:1,4 &amp;C:1 &amp;D:2 %C:0 +IPR:9600 +ICF:3,4 +IFC:2,2 OK</pre>                                                     |
| <i>Note: Display active parameters in RAM</i> | <i>Note: Done for Echo, the first parameter indicates the echo cancellation activation and the second parameter indicates the chosen algorithm. If no echo cancellation is activated, the response is "+ECHO: 0".</i> |

## 6.13.6. Notes

The parameters displayed are the following:

- For <n> = 0 or 1  
 Q:val1, V:val2, S0:val3, S2:val4, S3:val5, S4:val6, S5:val7,  
 +CR:val8, +CRC:val9, +CMEE:val10, +CBST:val11,  
 +SPEAKER:val12, +ECHO:val13, &C:val14, &D:val15, %C:val16  
 +IPR:val17, +ICF:val18, +IFC:val19
- For <n> = 2  
 Q:val1, V:val2, S0:val3, S2:val4, S3:val5, S4:val6, S5:val7,  
 +CR:val8, +CRC:val9, +CMEE:val10, +CBST:val11,  
 +SPEAKER:val12, +ECHO:val13, &C:val14, &D:val15, %C:val16  
 +ICF:val18, +IFC:val19  
 The +IPR value is not returned for <n>=2.

## 6.14. Sierra Wireless Custom Character Set +WCCS



### 6.14.1. Description

This Sierra Wireless proprietary command allows to edit and display the custom character set tables. These tables are used by the "CUSTOM" mode of the +CSCS and the +WPCS commands. In this "CUSTOM" mode, when the user enters a string, it is converted into GSM alphabet using the custom to GSM table. In a similar way, when the user requests a string display, the string is converted from GSM alphabet using the custom alphabet and the custom alphabet extension tables.

### 6.14.2. Syntax

- If <mode>=0

*Action command*

```
AT+WCCS=<mode>,<table>,<character_range>[,<character_range>]
+WCCS: <character_number>,<characters>
OK
```

- If <mode>=1

*Action command*

```
AT+WCCS=<mode>,<table>,<character_range>[,<character_range>]
>
<characters><ctrl-z>
OK
```

*Read command*

```
AT+WCCS=?
+WCCS: <mode>,<table>,<character_range>[,<character_range>]
OK
```

*Test command*

None



### 6.14.3. Parameters and Defined Values

|                                  |                                                                                        |
|----------------------------------|----------------------------------------------------------------------------------------|
| <b>&lt;mode&gt;:</b>             | requested operation                                                                    |
| 0                                | display the table                                                                      |
| 1                                | edit the table                                                                         |
| <b>&lt;table&gt;:</b>            | character table selection                                                              |
| 0                                | custom to GSM conversion table (default table is PCCP437 to GSM table)                 |
| 1                                | custom alphabet table (default table is GSM 7 bit default alphabet)                    |
| 2                                | custom alphabet extension table (default table is GSM 7 bit default alphabet extended) |
| <b>&lt;character_range&gt;:</b>  | range of character codes in <table>                                                    |
| 0-127                            | for table index 1 and index 2                                                          |
| 0-255                            | for table index 0                                                                      |
| <b>&lt;character_number&gt;:</b> | number of displayed characters                                                         |
| 0-127                            | for table index 1 and index 2                                                          |
| 0-255                            | for table index 0                                                                      |
| <b>&lt;characters&gt;:</b>       | sequence of ASCII characters<br>hexastring type                                        |

### 6.14.4. Parameter Storage

The <characters> parameter is stored in EEPROM without using AT&W.

## 6.14.5. Examples

| Command                                                                                                                          | Responses                                                                           |
|----------------------------------------------------------------------------------------------------------------------------------|-------------------------------------------------------------------------------------|
| <b>AT+WCCS=?</b>                                                                                                                 | +WCCS: (0-1), (0-2), (0-255), (0-255)<br>OK                                         |
| <b>AT+WCCS=0,0,120,130</b><br><br><i>Note: Display from character 120 to character 130 of the custom to GSM conversion table</i> | +WCCS: 11, 78797A2020202020097E05<br>OK<br><br><i>Note: 11 characters displayed</i> |
| <b>AT+WCCS=1,0,115</b>                                                                                                           | >                                                                                   |
| <b>20&lt;ctrl-Z&gt;</b><br><br><i>Note: Edit character 115 of the custom to GSM conversion table</i>                             | OK<br><br><i>Note: Edition successful</i>                                           |
| <b>AT+WCCS=1,1,0,4</b>                                                                                                           | >                                                                                   |
| <b>40A324A5E8&lt;ctrl-Z&gt;</b><br><br><i>Note: Edit the 5 first characters of the custom alphabet table</i>                     | OK<br><br><i>Note: Edition successful</i>                                           |
| <b>AT+WCCS=0,1,1</b><br><br><i>Note: Display character 1 of the custom alphabet table</i>                                        | +WCCS: 1, A3<br>OK                                                                  |

## 6.14.6. Notes

In edition mode, the session is terminated by <ctrl-Z>, or aborted by <ESC>. Only hexadecimal characters ("0"... "9", "A"... "F") can be used. The number of characters entered must be equal to the edition range requested, otherwise the command will return "+CME ERROR: 24".

The default custom alphabet extension table contains the following extended characters:

| ^ € { } [ ] ~ \

## 6.15. Select TE Character Set +CSCS



### 6.15.1. Description

This command informs the ME which character set is used by the TE. The ME can convert each character of entered or displayed strings. This is used to send, read or write short messages.

### 6.15.2. Syntax

#### Action command

```
AT+CSCS=<Character Set>
```

OK

#### Read command

```
AT+CSCS?
```

```
+CSCS: <Character Set>
```

OK

#### Test command

```
AT+CSCS=?
```

```
+CSCS: (list of supported <Character Set>s)
```

OK

### 6.15.3. Parameters and Defined Values

|                               |                                                                                        |
|-------------------------------|----------------------------------------------------------------------------------------|
| <b>&lt;Character Set&gt;:</b> | character table set (ASCII string)                                                     |
| "GSM"                         | GSM default alphabet.                                                                  |
| "PCCP437"                     | PC character set code page 437 (default value)                                         |
| "CUSTOM"                      | user defined character set                                                             |
| "HEX"                         | hexadecimal mode. No character set used; the user can read or write hexadecimal values |
| "IRA"                         | International reference alphabet (see ITU-T Recommendation T50)                        |

## 6.15.4. Parameter Storage

The <Character Set> parameter is stored in EEPROM using AT&W command. The default value can be restored using AT&F.

## 6.15.5. Examples

| Command                                                   | Responses                                               |
|-----------------------------------------------------------|---------------------------------------------------------|
| <b>AT+CSCS=?</b><br><i>Note: Get possible values</i>      | +CSCS: ("GSM", "PCCP437", "CUSTOM", "HEX")<br>OK        |
| <b>AT+CSCS="GSM"</b><br><i>Note: GSM default alphabet</i> | OK                                                      |
| <b>AT+CSCS?</b><br><i>Note: Get current value</i>         | +CSCS: "GSM"<br>OK<br><i>Note: GSM default alphabet</i> |

## 6.16. Sierra Wireless Phonebook Character Set +WPCS



### 6.16.1. Description

This Sierra Wireless proprietary command informs the ME which character set is used by the TE for the phonebooks. The ME can convert each character of entered or displayed strings. This is used to read or write phonebook entries (parameters <text>, <address> and <mail>).

### 6.16.2. Syntax

#### *Action command*

```
AT+WPCS=<Character Set>
```

```
OK
```

#### *Read command*

```
AT+WPCS?
```

```
+WPCS: <Character Set>
```

```
OK
```

#### *Test command*

```
AT+WPCS=?
```

```
+WPCS: (list of supported <Character Set>s)
```

```
OK
```

### 6.16.3. Parameters and Defined Values

|                               |                                                                                                                  |
|-------------------------------|------------------------------------------------------------------------------------------------------------------|
| <b>&lt;Character Set&gt;:</b> | character table set (ASCII string)                                                                               |
| "TRANSPARENT"                 | transparent mode<br>The strings are displayed and entered as they are stored in SIM or in ME.<br>(default value) |
| "CUSTOM"                      | user defined character set                                                                                       |
| "HEX"                         | hexadecimal mode<br>No character set used; the user can read or write hexadecimal values.                        |

### 6.16.4. Parameter Storage

The <Character Set> parameter is stored in EEPROM using AT&W command. The default value can be restored using AT&F.

### 6.16.5. Examples

| Command                                                      | Responses                                                                     |
|--------------------------------------------------------------|-------------------------------------------------------------------------------|
| <b>AT+WPCS=?</b><br><i>Note: Get possible values</i>         | +WPCS: ("TRANSPARENT", "HEX", "CUSTOM")<br>OK<br><i>Note: Possible values</i> |
| <b>AT+WPCS="CUSTOM"</b><br><i>Note: Custom character set</i> | OK                                                                            |
| <b>AT+WPCS?</b><br><i>Note: Get current value</i>            | +WPCS: "CUSTOM"<br>OK                                                         |

## 6.17. Set Language +CLAN



### 6.17.1. Description

This command sets the language in the MT.

### 6.17.2. Syntax

#### *Action command*

```
AT+CLAN=<code>
```

```
OK
```

#### *Read command*

```
AT+CLAN?
```

```
+CLAN: <code>
```

```
OK
```

#### *Test command*

```
AT+CLAN=?
```

```
+CLAN: (list of supported <code>s)
```

```
OK
```

### 6.17.3. Parameters and Defined Values

|                       |                                                                                                                                    |
|-----------------------|------------------------------------------------------------------------------------------------------------------------------------|
| <b>&lt;code&gt;</b> : | 2 character code for the language<br>The number indicated after the name refers to numeric value for the language in ISO 639 [16]. |
| "AUTO"                | Selects the first language from EF-LP in the SIM card.<br>"AUTO" is not returned by the read command.<br>default value             |
| "de"                  | German (0)                                                                                                                         |
| "en"                  | English (1)                                                                                                                        |
| "it"                  | Italian (2)                                                                                                                        |
| "fr"                  | French (3)                                                                                                                         |
| "es"                  | Spanish (4)                                                                                                                        |
| "nl"                  | Dutch (5)                                                                                                                          |
| "sv"                  | Swedish (6)                                                                                                                        |
| "da"                  | Danish (7)                                                                                                                         |
| "pt"                  | Portuguese (8)                                                                                                                     |
| "fi"                  | Finnish (9)                                                                                                                        |
| "no"                  | Norwegian (10)                                                                                                                     |
| "el"                  | Greek (11)                                                                                                                         |
| "tr"                  | Turkish (12)                                                                                                                       |
| "hu"                  | Hungarian (13)                                                                                                                     |
| "pl"                  | Polish (14)                                                                                                                        |
| "cs"                  | Czech (32)                                                                                                                         |
| "he"                  | Hebrew (33)                                                                                                                        |
| "ar"                  | Arabic (34)                                                                                                                        |
| "ru"                  | Russian (35)                                                                                                                       |
| "is"                  | Icelandic (36)                                                                                                                     |

### 6.17.4. Parameter Storage

None.



## 6.17.5. Examples

| Command      | Responses                                                                                                              |
|--------------|------------------------------------------------------------------------------------------------------------------------|
| AT+CLAN="fr" | OK                                                                                                                     |
| AT+CLAN=?    | +CLAN:<br>("AUTO","de","en","it","fr","es","nl","sv","da","pt","fi","no","el","tr","hu","pl","cs","he","ar","ru","is") |
|              | OK                                                                                                                     |
| AT+CLAN?     | +CLAN: "fr"<br>OK                                                                                                      |

## 6.17.6. Notes

After reset, the embedded module starts in "AUTO" mode.

The read command returns a NULL string when in "AUTO" mode and the first entry in EF-LP is undefined.

The read command returns an error message when in "AUTO" mode and the first entry in EF-LP SIM file is invalid.

The read command returns an error message when EF-LP SIM file is invalidated.

## 6.18. Language Event +CLAE



### 6.18.1. Description

This command is used to enable/disable +CLAV unsolicited result code, returned when the language in the MT is changed.

### 6.18.2. Syntax

#### *Action command*

```
AT+CLAE=<mode>
```

```
OK
```

#### *Read command*

```
AT+CLAE?
```

```
+CLAE: <mode>
```

```
OK
```

#### *Test command*

```
AT+CLAE=?
```

```
+CLAE: (list of supported <mode>s)
```

```
OK
```

#### *Unsolicited response*

```
+CLAV: <code>
```

### 6.18.3. Parameters and Defined Values

|                      |                                                                                                                                    |
|----------------------|------------------------------------------------------------------------------------------------------------------------------------|
| <b>&lt;mode&gt;:</b> | language event mode                                                                                                                |
| 0                    | disable unsolicited result code +CLAV (default value)                                                                              |
| 1                    | enable unsolicited result code +CLAV                                                                                               |
| <b>&lt;code&gt;:</b> | 2 character code for the language<br>The number indicated after the name refers to numeric value for the language in ISO 639 [16]. |
| "de"                 | German (0)                                                                                                                         |
| "en"                 | English (1)                                                                                                                        |
| "it"                 | Italian (2)                                                                                                                        |
| "fr"                 | French (3)                                                                                                                         |
| "es"                 | Spanish (4)                                                                                                                        |
| "nl"                 | Dutch (5)                                                                                                                          |
| "sv"                 | Swedish (6)                                                                                                                        |
| "da"                 | Danish (7)                                                                                                                         |
| "pt"                 | Portuguese (8)                                                                                                                     |
| "fi"                 | Finnish (9)                                                                                                                        |
| "no"                 | Norwegian (10)                                                                                                                     |
| "el"                 | Greek (11)                                                                                                                         |
| "tr"                 | Turkish (12)                                                                                                                       |
| "hu"                 | Hungarian (13)                                                                                                                     |
| "pl"                 | Polish (14)                                                                                                                        |
| "cs"                 | Czech (32)                                                                                                                         |
| "he"                 | Hebrew (33)                                                                                                                        |
| "ar"                 | Arabic (34)                                                                                                                        |
| "ru"                 | Russian (35)                                                                                                                       |
| "is"                 | Icelandic (36)                                                                                                                     |

## 6.18.4. Parameter Storage

The <mode> parameter is stored in EEPROM using the AT&W command. The default value can be restored using AT&F.

## 6.18.5. Examples

| Command   | Responses                                                     |
|-----------|---------------------------------------------------------------|
| AT+CLAE=? | +CLAE: (0-1)<br>OK                                            |
| AT+CLAE=1 | OK<br>+CLAV: "fr"<br><i>Note: Current language is French.</i> |
| AT+CLAE?  | +CLAE: 1<br>OK                                                |

## 6.18.6. Notes

The +CLAV unsolicited response is returned by the embedded module when the "AT+CLAE=1" command is sent to the embedded module and when the previous setting of <mode> was 0.

## 6.19. Select Type of Address +CSTA



### 6.19.1. Description

This command selects the type of number for further dialing commands (D) according to GSM specifications.

### 6.19.2. Syntax

*Action command*

```
AT+CSTA=<type>
```

OK

*Read command*

```
AT+CSTA?
```

```
+CSTA: <type>
```

OK

*Test command*

```
AT+CSTA=?
```

```
+CSTA: (list of supported <type>s)
```

OK

### 6.19.3. Parameters and Defined Values

|                       |                                                                                                                                                                                       |
|-----------------------|---------------------------------------------------------------------------------------------------------------------------------------------------------------------------------------|
| <b>&lt; type&gt;:</b> | type of address octet (refer to 3GPP TS 24.008 subclause 10.5.4.7) ; default 145 when dialling string includes international access code character "+", otherwise 129<br>integer type |
| 129                   | ISDN / telephony numbering plan, national / international unknown                                                                                                                     |
| 145                   | ISDN / telephony numbering plan, international number                                                                                                                                 |

## 6.19.4. Parameter Storage

The <type> parameter is stored in EEPROM using the AT&W command. The default value can be restored using AT&F.

## 6.19.5. Examples

| Command                                                                                                                                             | Responses              |
|-----------------------------------------------------------------------------------------------------------------------------------------------------|------------------------|
| <b>AT+CSTA=?</b>                                                                                                                                    | +CSTA: (129,145)<br>OK |
| <b>AT+CSTA=145</b>                                                                                                                                  | OK                     |
| <b>ATD33146290800 ;</b><br><i>Note: International access code character "+" will be automatically added to each outgoing call</i>                   | OK                     |
| <b>AT+CSTA=129</b>                                                                                                                                  | OK                     |
| <b>ATD+33146290800 ;</b><br><i>Note: International access code character "+" has to be added for international calls, national calls otherwise.</i> | OK                     |
| <b>AT+CSTA?</b>                                                                                                                                     | +CSTA: 129<br>OK       |

## 6.20. Cellular Text Telephone Modem +WCTM



### 6.20.1. Description

This Sierra Wireless proprietary command allows the user to activate and deactivate the Cellular Text Telephone Modem capability for outgoing voice call as specified in 3GPP 24.008 [8].

CTM mode is used to send audio signals from an external text terminal (ex: a TTY typewriter) within a voice call made by the ME. The text terminal must have a special mobile phone input/output to work correctly.

When the ME indicates that CTM text telephony for an outgoing voice call is supported, the network selects a speech CODEC and additionally CTM text telephony detection and conversion functions.

To guarantee optimal audio management of CTM signals, it is mandatory to deactivate Acoustic Echo Cancellation (see +ECHO command) and Side Tone (see +SIDET command).

Voice gain of transmitter and receiver (see +VGR, +VGT commands) have to be calibrated according to the external text terminal audio characteristics.

### 6.20.2. Syntax

#### *Action command*

```
AT+WCTM=<mode>
```

```
OK
```

#### *Read command*

```
AT+WCTM?
```

```
+WCTM: <mode>
```

```
OK
```

#### *Test command*

```
AT+WLERR=?
```

```
+WCTM: (list of supported <mode>s)
```

```
OK
```

### 6.20.3. Parameters and Defined Values

For AirPrime WMP 100

|                      |                                                                                                                    |
|----------------------|--------------------------------------------------------------------------------------------------------------------|
| <b>&lt;mode&gt;:</b> | CTM mode                                                                                                           |
| 0                    | disable (default value)<br>All incoming CTM calls will be rejected. Caller will receive a "no carrier" indication. |
| 1                    | enable                                                                                                             |

For AirPrime SL808x

|                      |                                                                                                                    |
|----------------------|--------------------------------------------------------------------------------------------------------------------|
| <b>&lt;mode&gt;:</b> | CTM mode                                                                                                           |
| 0                    | disable (default value)<br>All incoming CTM calls will be rejected. Caller will receive a "no carrier" indication. |
| 1                    | enable full TTY<br><i>Note: Functional only if Ext PCM with 2Mhz clock is being set</i>                            |
| 2                    | enable VCO TTY<br><i>Note: Functional only if Ext PCM with 2Mhz clock is being set</i>                             |
| 3                    | enable HCO TTY<br><i>Note: Functional only if Ext PCM with 2Mhz clock is being set</i>                             |

## 6.20.4. Parameter Storage

The <mode> parameter is stored using AT&W command.



## 6.20.5. Examples

| Command   | Responses                                                                                           |
|-----------|-----------------------------------------------------------------------------------------------------|
| AT+WCTM=? | +WCTM: (0-3)<br>OK                                                                                  |
| AT+WCTM=1 | OK                                                                                                  |
| AT+WCTM?  | +WCTM: 1<br>OK                                                                                      |
| AT+WCTM=3 | ERROR<br><i>Note: Response on AirPrime WMP100</i><br>OK<br><i>Note: Response on AirPrime SL808x</i> |
| AT+WCTM?  | +WCTM: 3<br>OK<br><i>Note: Response on AirPrime SL808x</i>                                          |

## 6.21. Sierra Wireless Debug Interface Management +WDEBUG



### 6.21.1. Description

This Sierra Wireless proprietary command enables or disables the Sierra Wireless debug interface. Once the interface state is modified, the product needs to be reset to take the modification into account.

### 6.21.2. Syntax

*Action command*

```
AT+WDEBUG=<state>
```

```
OK
```

*Read command*

```
AT+WDEBUG?
```

```
+WDEBUG: <state>, <resetFlag>
```

```
OK
```

*Test command*

```
AT+WDEBUG=?
```

```
+WDEBUG: (list of supported <state>s)
```

```
OK
```

### 6.21.3. Parameters and Defined Values

|                           |                                                                                                                                  |
|---------------------------|----------------------------------------------------------------------------------------------------------------------------------|
| <b>&lt;state&gt;:</b>     | state of the interface                                                                                                           |
| 0                         | disable (default value)                                                                                                          |
| 1                         | enable                                                                                                                           |
| <b>&lt;resetFlag&gt;:</b> | reset flag                                                                                                                       |
| 0                         | The state has not been modified since the last boot of the product.                                                              |
| 1                         | The state has been modified since the last boot of the product; a reset must be performed to take the modification into account. |

### 6.21.4. Parameter storage

The <state> parameter is stored in EEPROM without using AT&W.

### 6.21.5. Examples

| Command     | Responses            |
|-------------|----------------------|
| AT+WDEBUG=? | +WDEBUG: (0,1)<br>OK |
| AT+WDEBUG=1 | OK                   |
| AT+WDEBUG?  | +WDEBUG: 1,1<br>OK   |
| AT+CFUN=1   | OK                   |
| AT+WDEBUG?  | +WDEBUG: 1,0<br>OK   |

### 6.21.6. Notes

This command is allowed only if the Sierra Wireless debug interface commercial feature is activated.

## 6.22. Remote Debugging Service +WRDS



### 6.22.1. Description

This Sierra Wireless proprietary command allows a user to configure the Remote Debugging.

This command is available when the Wireless CPU has finished its initialization (+WIND: 3).  
No PIN code required, no SIM card required.

### 6.22.2. Syntax

#### *Action command*

```
AT+WRDS=<Mode>,<State>
```

```
OK
```

#### *Read command*

```
AT+WRDS?
```

```
+WRDS: <Mode>,<State>
```

```
[+WRDS: <Mode>,<State>
```

```
[...]]OK
```

#### *Test command*

```
AT+WRDS=?
```

```
+WRDS: (list of supported <Mode>s),(list of supported <State>s)
```

```
OK
```

#### *Unsolicited response*

```
+WRDS: <Event>[,<Reason>]
```

### 6.22.3. Parameters and Defined Values

|                                                                                                                                        |    |                                                                                                                                                                                                                                                                                                                                                                                                                                                                                                                                                                                                                                            |
|----------------------------------------------------------------------------------------------------------------------------------------|----|--------------------------------------------------------------------------------------------------------------------------------------------------------------------------------------------------------------------------------------------------------------------------------------------------------------------------------------------------------------------------------------------------------------------------------------------------------------------------------------------------------------------------------------------------------------------------------------------------------------------------------------------|
| <b>&lt;Mode&gt;:</b>                                                                                                                   |    | Mode                                                                                                                                                                                                                                                                                                                                                                                                                                                                                                                                                                                                                                       |
|                                                                                                                                        | 0  | <p>Remote Debugging functionality activation state</p> <p>When this mode is activated, the Remote Debugging functionality is available for the customer using Developer Studio.</p> <p>When this mode is deactivated, the Remote Debugging functionality is not available for the customer using Developer Studio and it's not possible to launch it locally using the +WRDS command (see &lt;Mode&gt;=1).</p> <p>If a trace collecting session is launched when a request is sent to the module to deactivate the Remote Debugging functionality, a specific error is returned (+CME ERROR: 661)</p> <p>Default mode state: activated</p> |
|                                                                                                                                        | 1  | <p>Remote Debugging trace collecting session state</p> <p>When this mode is activated, traces are collected in a log file. This trace collecting session can be activated only if the Remote Debugging functionality is activated (see &lt;Mode&gt;=0)</p> <p>Default mode state: deactivated</p>                                                                                                                                                                                                                                                                                                                                          |
|                                                                                                                                        | 2  | <p>Remote Debugging unsolicited response activation mode</p> <p>When this mode is activated, the +WRDS unsolicited responses are activated and can be returned by the module.</p>                                                                                                                                                                                                                                                                                                                                                                                                                                                          |
| <b>&lt;State&gt;:</b>                                                                                                                  |    | Mode state                                                                                                                                                                                                                                                                                                                                                                                                                                                                                                                                                                                                                                 |
|                                                                                                                                        | 0  | Deactivated                                                                                                                                                                                                                                                                                                                                                                                                                                                                                                                                                                                                                                |
|                                                                                                                                        | 1  | Activated                                                                                                                                                                                                                                                                                                                                                                                                                                                                                                                                                                                                                                  |
| <b>&lt;Event&gt;:</b>                                                                                                                  |    | Event                                                                                                                                                                                                                                                                                                                                                                                                                                                                                                                                                                                                                                      |
| An event is returned by the module only if the Remote Debugging functionality is enabled.                                              |    |                                                                                                                                                                                                                                                                                                                                                                                                                                                                                                                                                                                                                                            |
|                                                                                                                                        | 0  | The Remote Debugging is stopped                                                                                                                                                                                                                                                                                                                                                                                                                                                                                                                                                                                                            |
|                                                                                                                                        | 1  | The Remote Debugging is started                                                                                                                                                                                                                                                                                                                                                                                                                                                                                                                                                                                                            |
| <b>&lt;Reason&gt;:</b>                                                                                                                 |    | Start and stop reason                                                                                                                                                                                                                                                                                                                                                                                                                                                                                                                                                                                                                      |
| This parameter is returned in the unsolicited event <Event>=0 <Event>=1 and indicates the reason of the Remote Debugging start or stop |    |                                                                                                                                                                                                                                                                                                                                                                                                                                                                                                                                                                                                                                            |
|                                                                                                                                        | 0  | The start/stop was requested by the customer using Developer Studio                                                                                                                                                                                                                                                                                                                                                                                                                                                                                                                                                                        |
|                                                                                                                                        | 10 | The Remote Debugging was started/stopped because of a voluntary reset (+CFUN, +WOPEN, ...)                                                                                                                                                                                                                                                                                                                                                                                                                                                                                                                                                 |
|                                                                                                                                        | 11 | The Remote Debugging was stopped because of an exception reset (only for <Event>=0)                                                                                                                                                                                                                                                                                                                                                                                                                                                                                                                                                        |
|                                                                                                                                        | 12 | The Remote Debugging was stopped because of a hard reset(only for <Event>=0)                                                                                                                                                                                                                                                                                                                                                                                                                                                                                                                                                               |

|    |                                                                                                             |
|----|-------------------------------------------------------------------------------------------------------------|
| 20 | The Remote Debugging was started/stopped because the start/stop date expired.                               |
| 30 | The Remote Debugging was started/stopped because the +WRDS command was sent to the module to start/stop it. |
| 40 | The Remote Debugging was started/stopped because the Open AT application request to start/stop it.          |
| 50 | The Remote Debugging was stopped because the maximum log file size was reached (only for <Event>=0)         |
| 60 | The Remote Debugging was stopped because the module is full (only for <Event>=0)                            |

### 6.22.4. Parameter storage

The <state> parameter is stored in non-volatile memory without sending &W command. &F command has no impact on these values.

### 6.22.5. Examples

| Command                                                           | Responses                                                                   |
|-------------------------------------------------------------------|-----------------------------------------------------------------------------|
| AT+WRDS=?                                                         | +WRDS: (0-2), (0-1)<br>OK                                                   |
| AT+WRDS?                                                          | +WRDS: 0,1<br>+WRDS: 1,0<br>+WRDS: 2,0<br>OK<br><i>Note: Default states</i> |
| AT+WRDS=2,1                                                       | OK<br><i>Note: Unsolicited responses for Remote Debugging are activated</i> |
| AT+WRDS?                                                          | +WRDS: 0,1<br>+WRDS: 1,0<br>+WRDS: 2,1<br>OK                                |
| AT+WRDS=1,1<br><i>Note: Activate the trace collecting session</i> | OK                                                                          |

| Command  | Responses                                                                                                 |
|----------|-----------------------------------------------------------------------------------------------------------|
| AT+WRDS? | +WRDS: 0,1<br>+WRDS: 1,1<br>+WRDS: 2,1<br>OK                                                              |
|          | +WRDS: 0,0<br><i>Note: The Remote Debugging was deactivated according to the Developer Studio request</i> |

## 6.22.6. Results

This command returns OK when the command is proceed correctly.

Possible returned errors and explanation:

AT+WRDS=0,<State>

| ERROR Responses | Definition                                                                                                 |
|-----------------|------------------------------------------------------------------------------------------------------------|
| +CME ERROR: 3   | parameter is out of range                                                                                  |
| +CME ERROR: 661 | Not possible to disable the Remote Debugging functionality because a trace collecting session is launched. |

AT+WRDS=1,<State>

| ERROR Responses | Definition                                                                                                                                  |
|-----------------|---------------------------------------------------------------------------------------------------------------------------------------------|
| +CME ERROR: 655 | AMS services are in PROHIBITED state                                                                                                        |
| +CME ERROR: 654 | AMS services are in DEACTIVATED state                                                                                                       |
| +CME ERROR: 656 | AMS services are in TO BE PROVISIONED state                                                                                                 |
| +CME ERROR: 660 | The Remote Debugging is disabled                                                                                                            |
| +CME ERROR: 658 | An error occurs with the File System                                                                                                        |
| +CME ERROR: 657 | No configuration files in the module.<br>This configuration file is sent by Developer Studio.                                               |
| +CME ERROR: 659 | The trace collecting session is already started                                                                                             |
| +CME ERROR: 662 | A trace collecting session was already launched and stopped. A new one can not be launched until a new configuration is sent to the module. |
| +CME ERROR: 3   | parameter is out of range                                                                                                                   |

AT+WRDS=2,<State>

| ERROR Responses | Definition                |
|-----------------|---------------------------|
| +CME ERROR: 3   | parameter is out of range |

## **6.22.7. New results**

None



## 6.23. Digital to Analog Converter +DAC



### 6.23.1. Description

This Sierra Wireless proprietary command sets various DACs present on embedded module to a defined value.

### 6.23.2. Syntax

#### *Action command*

```
AT+DAC=<mode>,<DACIdx>[,<DACUnit>,<DACValue>]
```

OK

#### *Read command*

```
AT+DAC?
```

```
+DAC: <DAC0Value>[,<DAC1Value>[,<DAC2Value>] [...]]
```

OK

#### *Test command*

```
AT+DAC=?
```

```
+DAC: <DACIdx>,<AnalogMinVolt>,<AnalogMaxVolt>,<Resolution>
```

```
[+DAC: <DACIdx>,<AnalogMinVolt>,<AnalogMaxVolt>,<Resolution> [...]]
```

OK

### 6.23.3. Parameters and defined values

|                               |                                                                                                                                                                                                                                          |
|-------------------------------|------------------------------------------------------------------------------------------------------------------------------------------------------------------------------------------------------------------------------------------|
| <b>&lt;mode&gt;:</b>          | mode                                                                                                                                                                                                                                     |
| 0                             | DAC de-allocation                                                                                                                                                                                                                        |
| 1                             | DAC allocation                                                                                                                                                                                                                           |
| <b>&lt;DACIdx&gt;:</b>        | DAC index                                                                                                                                                                                                                                |
| <b>&lt;DACUnit&gt;:</b>       | write unit                                                                                                                                                                                                                               |
| 0                             | write DAC in analog value                                                                                                                                                                                                                |
| 1                             | write DAC in digital value                                                                                                                                                                                                               |
| <b>&lt;DACValue&gt;:</b>      | DAC value (in analog or digital unit)<br>Range example: 0-2300 (mV). It depends on embedded module (Please refer to the embedded module Product Technical Specification).<br>For the read command, DAC value is returned in analog unit. |
| <b>&lt;AnalogMinVolt&gt;:</b> | minimal analog output signal deliverable by DAC (in mV)<br>It depends on embedded module (Please refer to the embedded module Product Technical Specification)                                                                           |
| <b>&lt;AnalogMaxVolt&gt;:</b> | maximal analog output signal deliverable by DAC (in mV).<br>It depends on embedded module. (Please refer to the embedded module Product Technical Specification)                                                                         |
| <b>&lt;Resolution&gt;:</b>    | digital register number of bit<br>It depends on embedded module (Please refer to the embedded module Product Technical Specification)                                                                                                    |

### 6.23.4. Parameters storage

No parameter is stored in EEPROM.

## 6.23.5. Examples

| Command           | Responses                                                                                                          |
|-------------------|--------------------------------------------------------------------------------------------------------------------|
| AT+DAC=?          | +DAC: 0,0,2200,8<br>OK                                                                                             |
| AT+DAC?           | +CME ERROR: 505<br><i>Note: Response on Q268x,AirPrime WMP100. DAC has not been allocated</i>                      |
| AT+DAC=0,0        | +CME ERROR: 505<br><i>Note: Response on Q268x,AirPrime WMP100. DAC has not been allocated</i>                      |
| AT+DAC=1,0,0,1600 | OK<br><i>Note: DAC0 set to 1600mv</i>                                                                              |
| AT+DAC?           | +DAC: 1600<br>OK<br><i>Note: Response on Q268x,AirPrime WMP100</i>                                                 |
| AT+DAC=1,0,0,2400 | +CME ERROR: 3<br><i>Note: 4th parameter value exceeded. Previous DAC value is kept.if it has been already set.</i> |
| AT+DAC=1,0,1,45   | OK<br><i>Note: DAC0 set to 45 (digital value)</i>                                                                  |
| AT+DAC=1,0,1,45   | +CME ERROR: 558<br><i>Note: DAC0 already reserved by another client.</i>                                           |
| AT+DAC=0,0        | OK<br><i>Note: DAC0 deallocate.</i>                                                                                |

## 6.23.6. Notes

Deallocation command (AT+DAC=0,x) and read command (AT+DAC?) return an error (+CME ERROR: 505) if DAC has not been previously allocated.

If an analog DAC value with a range 0 to 2200 is set, the converted digital value in the range of 0-255 is stored in the DAC register. As a result of the digital conversion, the requested value will differ from the original analog value entered.

The AT+DAC command is not supported in the AirPrime SL6087 module; an error will be returned if used with the SL6087.

## 6.24. Automatic Boost Mode +WCPS



### 6.24.1. Description

This Sierra Wireless proprietary command allows to activate or deactivate the automatic boost mode functionality in the embedded module. When this feature is enabled, the firmware can change the embedded module clock dynamically according to features used by the service user (like an EGPRS transfer).

The new setting will be taken into account immediately after the automatic boost mode feature activation or deactivation. When this feature is disabled and if the service user hasn't enabled the Vari Speed feature (with a Sierra Wireless application), the firmware changes the embedded module clock to the lowest frequencies.

Set the AHB bus clock. Only two values are possible, which corresponds to the minimal clock value and the maximal clock value. This new setting will take into account only after resetting the embedded module.

AHB bus is the internal bus between the ARM core and the peripherals. By increasing the bus speed, it will optimise the RAM time access and at the same time, it will also increase the power consumption, because the minimal ARM clock is equal to the AHB bus clock.

### 6.24.2. Syntax

#### *Action command*

```
AT+WCPS=<type>,<mode>  
[+WCPS: <type>,<status>]  
OK
```

#### *Read command*

```
AT+WCPS?  
+WCPS: <type>,<status>  
[+WCPS: <type>,<status>[...]]  
OK
```

#### *Test command*

```
AT+WCPS=?  
+WCPS: <type>,(list of supported <mode>s)  
[+WCPS: <type>,(list of supported <mode>s)[...]]  
OK
```

### 6.24.3. Parameters and defined values

|                        |                             |                                                   |
|------------------------|-----------------------------|---------------------------------------------------|
| <b>&lt;type&gt;:</b>   |                             | embedded module functionality                     |
|                        | 0                           | automatic boost mode                              |
|                        | 1                           | AHB bus clock settings                            |
| <b>&lt;mode&gt;:</b>   |                             | requested operation                               |
|                        | <b>For &lt;type&gt; = 0</b> |                                                   |
|                        | 0                           | deactivate the automatic boost mode               |
|                        | 1                           | activate the automatic boost mode (default value) |
|                        | 2                           | get the automatic boost mode state                |
|                        | <b>For &lt;type&gt; = 1</b> |                                                   |
|                        | 0                           | AHB bus clock set to its minimal value            |
|                        | 1                           | AHB bus clock set to its maximal value            |
|                        | 2                           | get the AHB bus clock state                       |
| <b>&lt;status&gt;:</b> |                             | current functionality status                      |
|                        | <b>For &lt;type&gt; = 0</b> |                                                   |
|                        | 0                           | automatic boost mode deactivated                  |
|                        | 1                           | automatic boost mode activated                    |
|                        | <b>For &lt;type&gt; = 1</b> |                                                   |
|                        | 0                           | AHB bus clock is set to minimal value             |
|                        | 1                           | AHB bus clock is set to maximal value             |

### 6.24.4. Parameters storage

The <mode> parameter value is stored in EEPROM without using AT&W.

## 6.24.5. Examples

| Command                                                                                         | Responses                                                                                                                     |
|-------------------------------------------------------------------------------------------------|-------------------------------------------------------------------------------------------------------------------------------|
| <b>AT+WCPS=?</b>                                                                                | +WCPS: (0-1), (0-2)<br>OK                                                                                                     |
| <b>AT+WCPS?</b>                                                                                 | +WCPS: 0, 1<br>+WCPS: 1, 0<br>OK                                                                                              |
| <b>AT+WCPS=0, 2</b>                                                                             | +WCPS: 0, 1<br>OK<br><i>Note: Automatic boost mode is enabled.</i>                                                            |
| <b>AT+WCPS=1, 2</b>                                                                             | +WCPS: 1, 0<br>OK<br><i>Note: AHB bus clock set to its minimal value.</i>                                                     |
| <b>AT+WCPS=0, 0</b><br><i>Note: Disable the automatic boost mode.</i>                           | OK                                                                                                                            |
| <b>AT+WCPS=1, 1</b>                                                                             | OK<br><i>Note: AHB bus clock set to its maximal value.</i>                                                                    |
| <b>AT+WCPS?</b>                                                                                 | +WCPS: 0, 0<br>+WCPS: 1, 1<br>OK<br><i>Note: Automatic boost mode is disabled and AHB bus clock set to its maximal value.</i> |
| <b>AT+CFUN=1</b><br><i>Note: Reset the embedded module</i>                                      | OK                                                                                                                            |
| <b>AT+WCPS?</b>                                                                                 | +WCPS: 0, 0<br>+WCPS: 1, 1<br>OK<br><i>Note: Automatic boost mode is disabled and AHB bus clock set to its maximal value.</i> |
| <b>AT+WCPS=0, 0</b><br><i>Note: Disable the automatic boost mode when it's already enabled.</i> | OK                                                                                                                            |
| <b>AT&amp;F</b><br><i>Note: Restore factory settings.</i>                                       | OK<br><i>Note: No effect on Automatic Boost Mode &amp; AHB bus clock.</i>                                                     |

| Command  | Responses                                                                                                                                                                                                     |
|----------|---------------------------------------------------------------------------------------------------------------------------------------------------------------------------------------------------------------|
| AT+WCPS? | +WCPS: 0,0<br>+WCPS: 1,1<br>OK<br><i>Note: Automatic boost mode is disabled and AHB bus clock is set to its maximal value. There is no effect of the AT&amp;F command on the Automatic Boost Mode status.</i> |

## 6.25. Auto Shutdown +WASR



### 6.25.1. Description

This Sierra Wireless proprietary command allows the user to enable or disable the auto shutdown feature on the specified UART port. The auto shutdown feature provides the ability to shut down or power up an external RS232 transceiver by toggling a specific I/O in the embedded module. After the feature is enabled in the embedded module, the user can activate or deactivate the auto shutdown mode on that UART by toggling the DTR signal.

The auto shutdown feature is only available on UARTs with DTR signal. By default, all UART ports will have the auto shutdown feature disabled.

The user can enable the auto shutdown feature on <uart> only when that port is not used by another library application such as Location Library or C-BT.

The user can enable the auto shutdown feature using <GpioId> only when that I/O is not used by another feature.

The new settings will be taken into account immediately after the auto shutdown feature has been enabled or disabled. When the auto shutdown feature is enabled, a specific I/O pin will be dedicated to the feature and cannot be used from other applications.

### 6.25.2. Syntax

- <mode=0>

*Action command*

```
AT+WASR=<mode>[ ,<uart>]
```

OK

- <mode=1>

*Action command*

```
AT+WASR=<mode>[ ,<uart>[ ,<GpioId>[ ,<timing>]]]
```

OK

- <mode=2>

*Action command*

```
AT+WASR=<mode>[ ,<uart>]
```

```
[+WASR: <status>,<uart>,<GpioId>,<timing>]
```

```
[+WASR: <status>,<uart>,<GpioId>,<timing>[...]]
```

OK



*Read command*

**AT+WASR?**

```
+WASR: <status>,<uart>,<GpioId>,<timing>
[+WASR: <status>,<uart>,<GpioId>,<timing>[...]]
OK
```

*Test command*

**AT+WASR=?**

```
+WASR: (list of supported <mode>s),(list of supported <uart>s),(list of supported
<GpioId>s),(list of supported <timing>s)
[+WASR: list of supported <mode>s],(list of supported <uart>s), (list of supported
<GpioId>s),(list of supported <timing>s)[...]]
OK
```

### 6.25.3. Parameters and defined values

|                        |                                                                                                                                                                                                                                                                                      |
|------------------------|--------------------------------------------------------------------------------------------------------------------------------------------------------------------------------------------------------------------------------------------------------------------------------------|
| <b>&lt;mode&gt;:</b>   | requested operations                                                                                                                                                                                                                                                                 |
| 0                      | disable the auto shutdown feature on <uart><br>If <uart> is missing, all the available ports status will be disabled.                                                                                                                                                                |
| 1                      | enable the auto shutdown feature on <uart> using the GPIO <GpioId> and the wake-up time <timing>.<br>If <uart>, <GpioId> and/or <timing> are missing, the current values (the previous values set) will be used.                                                                     |
| 2                      | get the auto shutdown feature status on <uart>.<br>If <uart> is missing, all the available ports status will be listed.                                                                                                                                                              |
| <b>&lt;uart&gt;:</b>   | UART port identifier                                                                                                                                                                                                                                                                 |
| 1                      | UART1<br><i>Note: Currently only UART1 supports the auto shutdown Feature</i>                                                                                                                                                                                                        |
| <b>&lt;GpioId&gt;:</b> | I/O name<br>I/O name (as mentioned in the embedded module Product Technical Specification and Customer Design Guideline) string type<br>range: list of available I/O (For AirPrime WMP100, default value: GPIO24).<br>If this parameter is missing, the current setting will be used |

|                       |                                                                                                                                                                                                                                              |
|-----------------------|----------------------------------------------------------------------------------------------------------------------------------------------------------------------------------------------------------------------------------------------|
| <b>&lt;timing&gt;</b> | wake-up time of the external transceiver                                                                                                                                                                                                     |
| t1                    | time delay to wake up the UART transceiver before displaying the unsolicited response in 30 micro second ( $\mu$ s) steps<br>range: 1-15 (default value: 6 (180 $\mu$ s))<br>If this parameter is missing, the current setting will be used. |
| <b>&lt;status&gt;</b> | current functionality status                                                                                                                                                                                                                 |
| 0                     | auto shutdown feature disabled on <uart>(default value)                                                                                                                                                                                      |
| 1                     | auto shutdown feature enabled on <uart>                                                                                                                                                                                                      |

### 6.25.4. Parameter Storage

The <mode>, <uart>, <Gpiold> and <timing> parameters are stored in EEPROM without using AT&W command. The default values can be restored using AT&F.

### 6.25.5. Examples

| Command                                                                                                                                                            | Responses                                                                                                                                                                                                                                     |
|--------------------------------------------------------------------------------------------------------------------------------------------------------------------|-----------------------------------------------------------------------------------------------------------------------------------------------------------------------------------------------------------------------------------------------|
| <b>AT+WASR=?</b>                                                                                                                                                   | +WASR: (0-2), 1, ("GPIO0-GPIO44"), (1-15)<br>OK<br><i>Note: The range of GPIO depends on the type of embedded module. Please refer to embedded module Product Technical Specification and Customer Design Guideline for more information.</i> |
| <b>AT+WASR=?</b>                                                                                                                                                   | +WASR: (0-2), 1, ("GPIO0-GPIO44,GPO0-GPO5"), (1-15)<br>OK<br><i>Note: This format is only for product supporting both GPIO and GPO. See embedded module Product Technical Specification and Customer Design Guideline.</i>                    |
| <b>AT+WASR=1, 1, "GPIO20", 10</b><br><i>Note: The auto shutdown feature is activated on UART1 using GPIO20 and the wake-up time is set to 300<math>\mu</math>s</i> | OK                                                                                                                                                                                                                                            |
| <b>AT+WASR=2, 1</b><br><i>Note: Get the auto shutdown feature status of UART1</i>                                                                                  | +WASR: 1, 1, "GPIO20", 10<br>OK                                                                                                                                                                                                               |
| <b>AT+WASR=0, 1</b><br><i>Note: The auto shutdown feature is deactivated on UART1</i>                                                                              | OK                                                                                                                                                                                                                                            |
| <b>AT+WASR=1</b><br><i>Note: Enable the auto shutdown feature with current UART, GPIO, and timing</i>                                                              | OK                                                                                                                                                                                                                                            |

| Command                                                                                                                                                                                            | Responses                                                                                                                                       |
|----------------------------------------------------------------------------------------------------------------------------------------------------------------------------------------------------|-------------------------------------------------------------------------------------------------------------------------------------------------|
| <b>AT+CFUN=1</b><br><i>Note: Reset the embedded module</i>                                                                                                                                         | OK                                                                                                                                              |
| <b>AT+WASR=2</b><br><i>Note: Get the auto shutdown feature status of all UART ports</i>                                                                                                            | +WASR:1,1,"GPIO20",10<br>OK                                                                                                                     |
| <b>AT&amp;F</b><br><i>Note: Restore factory settings</i>                                                                                                                                           | OK                                                                                                                                              |
| <b>AT+WASR=2</b><br><i>Note: Get the auto shutdown feature status of all UART ports</i>                                                                                                            | +WASR:0,1,"GPIO24",6<br>OK<br><i>Note: There is only one UART port listed because currently only UART1 supported the auto shutdown feature.</i> |
| <b>AT+WASR=1,1</b><br><i>Note: The auto shutdown feature is activated on UART1 using default GPIO and t1</i>                                                                                       | OK                                                                                                                                              |
| <b>AT+WASR=2,1</b><br><i>Note: Get the auto shutdown feature status of UART1</i><br><b>AT+WASR=1</b>                                                                                               | +WASR:1,1,"GPIO24",6<br>OK<br>+CME ERROR: 560<br><i>Note: Auto shutdown feature already enabled</i>                                             |
| <b>AT+WASR=0</b><br><i>Note: The auto shutdown feature is deactivated on all UART ports</i><br><b>AT+WASR=0</b>                                                                                    | OK<br>+CME ERROR: 560<br><i>Note: Auto shutdown feature already disabled</i>                                                                    |
| <b>AT+WASR=1,2</b>                                                                                                                                                                                 | +CME ERROR: 3<br><i>Note: &lt;uart&gt; out of range.</i>                                                                                        |
| <b>AT+WHCNF=0,2</b><br><br><b>AT+WHCNF=0,0</b><br><i>Note: Deactivate keypad</i><br><b>AT+CFUN=1</b><br><i>Note: A embedded module reset is needed to be able to use an IO for another purpose</i> | +WHCNF: 0,1<br><i>Note: Keypad is activated by default</i><br>OK<br>OK                                                                          |
| <b>AT+WASR=1,1,"GPIO4",10</b><br><i>Note: The auto shutdown feature is activated on UART1 using GPIO4 and the wake-up time is set to 300µs</i>                                                     | OK                                                                                                                                              |
| <b>AT+WASR=2,1</b><br><i>Note: Get the auto shutdown feature status of UART1</i>                                                                                                                   | +WASR:1,1,"GPIO4",10<br>OK                                                                                                                      |

| Command                                                                                                                                                                                                | Responses                                                                                                                     |
|--------------------------------------------------------------------------------------------------------------------------------------------------------------------------------------------------------|-------------------------------------------------------------------------------------------------------------------------------|
| <b>AT+WASR=0,1</b><br><i>Note: The auto shutdown feature is deactivated on UART1</i><br><b>AT+CFUN=1</b><br><i>Note: A embedded module reset is needed to be able to use an IO for another purpose</i> | OK                                                                                                                            |
| <b>AT+WHCNF=0,1</b><br><br><i>Note: Activate keypad</i><br><br><b>AT+WASR=1</b><br><i>Note: Enable auto shutdown feature with current parameters setting.</i>                                          | OK<br><br>+CME ERROR: 501<br><i>Note: GPIO allocation error because keypad and auto shutdown feature share the same GPIO.</i> |

## 6.25.6. Notes

After the auto shutdown feature is enabled, the user is not allowed to alter the GPIO, which is allocated for the auto shutdown feature status, using AT commands (such as +WIOM, +WIOR, +WIOW) or IO APIs in any circumstance. If the user tries to change the status (value or direction) of the dedicated GPIO, an error will be returned.

Once the auto shutdown mode is activated on the specified UART (e.g. UART1), no AT command will be received by the embedded module (as DTR is set to low) through that UART port. When the auto shutdown feature is disabled with AT+WASR command, the dedicated GPIO pin (e.g. GPIO24 for Fastrack Supreme 10/20) is free to be used.

Due to the limitation of the maximum value in <timing>, the user must use a transceiver with the wake-up time within the allowable range of <timing> (30µs - 450µs).

Currently, only UART1 can support the auto shutdown feature.

## 6.26. IP Stack Settings +WIPS



### 6.26.1. Description

This Sierra Wireless proprietary command configures the IP stack.

### 6.26.2. Syntax

*Action command*

```
AT+WIPS=[<param1>] [ , [<param2>] [ , [<param3>] [ , [<param4>] [ , [<param5>]
[ , [<param6>] [ , [<param7>] [ , [<param8>] [ , [<param9>] [ , [<param10>]
[ , [<param11>]]]]]]]]]]]
OK
```

*Read command*

```
AT+WIPS?
+WIPS: <param1>, <param2>, <param3>, <param4>, <param5>, <param6>,
<param7>, <param8>, <param9>, <param10>, <param11>
OK
```

*Test command*

```
AT+WIPS=?
+WIPS: (list of supported <param1>s),
(list of supported <param2>s), (list of supported <param3>s),
(list of supported <param4>s), (list of supported <param5>s),
(list of supported <param6>s), (list of supported <param7>s),
(list of supported <param8>s), (list of supported <param9>s),
(list of supported <param10>s), (list of supported <param11>s)
OK
```

### 6.26.3. Parameters and Defined Values

| <param>:  |                                           |          |                                                                                |  |
|-----------|-------------------------------------------|----------|--------------------------------------------------------------------------------|--|
|           | description                               | range    | (default values)                                                               |  |
| <param1>  | Maximum number of sockets                 | [8-32]   | 16                                                                             |  |
| <param2>  | Maximum number of network buffers         | [24-255] | 48<br><hr/> <i>AirPrime SL808xT,<br/>Q2698 embedded<br/>modules: 128</i> <hr/> |  |
| <param3>  | Maximum number of multicast group entries | [0-255]  | 8                                                                              |  |
| <param4>  | Maximum number of route entries           | [0-255]  | 8                                                                              |  |
| <param5>  | Maximum number of DNS resolver queries    | [0-8]    | 4                                                                              |  |
| <param6>  | DNS resolver cache size                   | [0-255]  | 8                                                                              |  |
| <param7>  | ARP cache size                            | [0-255]  | 8                                                                              |  |
| <param8>  | Number of PPP interfaces                  | [0-10]   | 5                                                                              |  |
| <param9>  | Number of GPRS interfaces                 | [0-10]   | 6                                                                              |  |
| <param10> | Number of Ethernet interfaces             | [0-4]    | 1                                                                              |  |
| <param11> | Number of IP tunnel interfaces            | [0-10]   | 0                                                                              |  |

### 6.26.4. Parameter Storage

The parameters are stored in EEPROM without using the AT&W command. The default values can be restored using AT&F.

## 6.26.5. Examples

| Command                                                                                                             | Responses                                                                                                    |
|---------------------------------------------------------------------------------------------------------------------|--------------------------------------------------------------------------------------------------------------|
| <b>AT+WIPS=?</b><br><br><i>Note: Possible values</i>                                                                | +WIPS: (8-32), (24-255), (0-255), (0-255), (0-8), (0-255), (0-255), (0-10), (0-10), (0-10), (0-10)<br><br>OK |
| <b>AT+WIPS?</b><br><br><i>Note : Read parameters values for IP stack</i>                                            | +WIPS: 16,48,8,8,8,4,8,8,5,6,1,0<br><br>OK                                                                   |
| <b>AT+WIPS=16,48,0,1,2,3,4,5,6,7,8</b><br><br><i>Note: Configure IP stack with params (16,48,0,1,2,3,4,5,6,7,8)</i> | OK                                                                                                           |
| <b>AT+WIPS?</b><br><br><i>Note: Ask for the current params values</i>                                               | +WIPS: 16,48,0,1,2,3,4,5,6,7,8<br><br>OK                                                                     |
| <b>AT+WIPS=, , 14</b><br><br><i>Note: Change only the 3<sup>rd</sup> parameter</i>                                  | OK                                                                                                           |
| <b>AT+WIPS?</b><br><br><i>Note : Ask for the current params values.</i>                                             | +WIPS: 16,48,14,1,2,3,4,5,6,8<br><br>OK                                                                      |

## 6.26.6. Notes

IP stack is configured during the embedded module initialisation. Hence, if the user uses this command or AT&F command, a reset is mandatory to take into account new parameters.

## 6.27. Sierra Wireless Development Mode +WDM



### 6.27.1. Description

This Sierra Wireless proprietary command enables a user to lock a port into the development mode. This mode is used by Developer Studio to get traces from the device for debug (please refer to Developer Studio documentation for more details). It is persistent to the resets.

### 6.27.2. Syntax

*Action command*

*For <Mode>=0*

```
AT+WDM=<Mode>
```

```
OK
```

*For <Mode> = 1*

```
AT+WDM=<Mode>[,<Port>]
```

```
OK
```

*For <Mode> = 2*

```
AT+WDM=<Mode>
```

```
+WDM: <CurrentPort>
```

```
OK
```

*Read command*

```
AT+WDM?
```

```
+WDM: 1,<DevPort>
```

```
OK
```

*Test command*

```
AT+WDM=?
```

```
+WDM: (0-2), (list of supported<Port>s)
```

```
OK
```



### 6.27.3. Parameters and Defined Values

|                             |                                                                                 |
|-----------------------------|---------------------------------------------------------------------------------|
| <b>&lt;Mode&gt;:</b>        | Mode indicator                                                                  |
| 0                           | Delete the development mode configuration                                       |
| 1                           | Lock the <Port> into the development mode                                       |
| 2                           | Get the current port                                                            |
| <b>&lt;Port&gt;:</b>        | Port used by Developer Studio for the development mode<br>Default: current port |
| <b>&lt;CurrentPort&gt;:</b> | +WDM command executed port                                                      |
| <b>&lt;DevPort&gt;:</b>     | Development mode port (see <a href="#">Notes</a> section for more information)  |
| 0                           | Development mode not active                                                     |
| [Other value]               | Port used for development mode                                                  |

### 6.27.4. Parameter Storage

None. The <Port> parameter is stored without using AT&W command

### 6.27.5. Examples

| Command                                                                 | Responses                                                                                 |
|-------------------------------------------------------------------------|-------------------------------------------------------------------------------------------|
| AT+WDM=?                                                                | +WDM: (0-2) , (1,2,3,5)<br>OK<br><i>Note: UART1, UART2 , USB CDC and UART3 are opened</i> |
| AT+WDM?                                                                 | +WDM: 1,0<br>OK<br><i>Note: Development mode not activated</i>                            |
| AT+WDM=1<br><i>Note: configure the development mode on current port</i> | OK                                                                                        |
| AT+WDM?                                                                 | +WDM: 1,1<br>OK<br><i>Note: the +WDM command was executed on UART1</i>                    |
| AT+WDM=0                                                                | OK<br><i>Note: delete the development mode configuration</i>                              |

## **6.27.6. Notes**

When the development mode is configured, only Developer Studio can use the selected port. The development mode configuration has to be deleted before using the port with a different tool.

The UART3 information is displayed only if this port is available on the module hardware.

## 7. Embedded Module Status Commands

### 7.1. General Indications +WIND



#### 7.1.1. Description

This Sierra Wireless proprietary command allows controlling a general mechanism to send unsolicited indications to the application.

#### 7.1.2. Syntax

##### *Action command*

```
AT+WIND=<IndLevel>
```

```
OK
```

##### *Read command*

```
AT+WIND?
```

```
+WIND: <IndLevel>
```

```
OK
```

##### *Test command*

```
AT+WIND=?
```

```
+WIND: (list of supported <IndLevel>s)
```

```
OK
```

- For <event>=0,1,2,3,4,7,8,9,13,14,16:

##### *Unsolicited response*

```
+WIND: <event>
```

- For <event>=5 and 6:

*Unsolicited response*

```
+WIND: <event>,<idx>
```

- For <event>=10:

*Unsolicited response*

```
+WIND:  
<event>,<phonebook>,<status>[,<phonebook>,<status>[,<phonebook>,<status>[,<phonebo  
ok>,<status>[,<phonebook>,<status>]]]]
```

- For <event>=11:

*Unsolicited response*

```
+WIND: <event>,[<checksum>],[<checksum>],[<checksum>],[<checksum>  
, [<checksum>],[<checksum>]
```

- For <event>=12:

*Unsolicited response*

```
+WIND: <event>,<ext_it_name>[,<EdgeState>]
```

- For <event>=15:

*Unsolicited response*

```
+WIND: <event>[,1,"<Full name>"][,2,"<Short name>"][,3,"<Local time  
zone>"][,4,"<Universal time and local time zone>"][,5,"<LSA  
Identity>"][,6,"<Daylight Saving time>"]
```

### 7.1.3. Parameters and Defined Values

|                          |                                                                                                                                 |
|--------------------------|---------------------------------------------------------------------------------------------------------------------------------|
| <b>&lt;IndLevel&gt;:</b> | indication levels<br>bit field (default value: 0)<br>bit set to 0: indication deactivated<br>bit set to 1: indication activated |
| 0                        | no unsolicited "+WIND: <event>" will occur                                                                                      |
| 1 (bit 0)                | activate hardware SIM insert / remove indications or SIM presence after software reset                                          |
| 2 (bit 1)                | activate calling party alert indication                                                                                         |
| 4 (bit 2)                | activate idle state indication                                                                                                  |
| 8 (bit 3)                | activate end of embedded module initialization (after PIN 1/CHV 1 code entered) indication                                      |
| 16 (bit 4)               | activate new call identifier indication                                                                                         |
| 32 (bit 5)               | activate call release indication                                                                                                |
| 64 (bit 6)               | activate network service available indication                                                                                   |
| 128 (bit 7)              | activate network lost indication                                                                                                |
| 256 (bit 8)              | activate audio ON indication                                                                                                    |
| 512 (bit 9)              | activate SIM phonebooks reload status                                                                                           |
| 1024 (bit 10)            | activate SIM phonebooks checksum indication                                                                                     |
| 2048 (bit 11)            | activate interruption indication                                                                                                |
| 4096 (bit12)             | activate hardware Rack Open/Closed Indication                                                                                   |
| 8192 (bit13)             | activate NITZ indication                                                                                                        |
| 16384 (bit 14)           | activate SMS service ready indication                                                                                           |
| <b>&lt;event&gt;:</b>    | event identifier                                                                                                                |
| 0                        | the SIM presence pin has detected a "SIM removed"                                                                               |
| 1                        | the SIM presence pin has detected a "SIM inserted"                                                                              |
| 2                        | the calling party is alerting                                                                                                   |
| 3                        | the product is ready to process AT commands (except phonebooks, AOC, SMS), at init or after AT+CFUN=1                           |
| 4                        | the product is ready to process all AT commands, end of phonebook init or swap (FDN to ADN)                                     |
| 5                        | a call <idx> has been created (after ATD or +CCWA...)                                                                           |

|                             |                                                                                                                                                                                              |
|-----------------------------|----------------------------------------------------------------------------------------------------------------------------------------------------------------------------------------------|
| 6                           | a call <idx> has been released, after a NO CARRIER, a "+CSSU: 5" indication, or after the release of a call waiting                                                                          |
| 7                           | the network service is available for an emergency call                                                                                                                                       |
| 8                           | the network is lost                                                                                                                                                                          |
| 9                           | the audio channel is opened                                                                                                                                                                  |
| 10                          | reload status of each SIM phonebook after init phase (after power on or SIM insertion)                                                                                                       |
| 11                          | checksum of SIM phonebooks after initialization                                                                                                                                              |
| 12                          | an interruption has occurred                                                                                                                                                                 |
| 13                          | the rack has been detected as closed                                                                                                                                                         |
| 14                          | the rack has been detected as opened                                                                                                                                                         |
| 15                          | the embedded module has received a NITZ information message from the network                                                                                                                 |
| 16                          | SMS and SMS CB services are initialized                                                                                                                                                      |
| <b>&lt;idx&gt;:</b>         | call identifier<br>integer value                                                                                                                                                             |
| <b>&lt;phonebook&gt;:</b>   | phonebook memory storage                                                                                                                                                                     |
| "SM"                        | ADN                                                                                                                                                                                          |
| "FD"                        | FDN                                                                                                                                                                                          |
| "ON"                        | MSISDN                                                                                                                                                                                       |
| "SN"                        | Service Number                                                                                                                                                                               |
| "EN"                        | Emergency Number                                                                                                                                                                             |
| <b>&lt;status&gt;:</b>      | phonebook status after initialization                                                                                                                                                        |
| 0                           | not reloaded from SIM (no change since last init or SIM removal)                                                                                                                             |
| 1                           | reloaded from SIM to internal memory (at least one entry has changed)                                                                                                                        |
| <b>&lt;checksum&gt;:</b>    | 128-bit "fingerprint" of the phonebook<br><br>The checksums are presented in the following order: SM, FD, ON, SN, EN, LD. If the phonebook is not present in the SIM, the checksum is empty. |
| <b>&lt;ext_it_name&gt;:</b> | interruption identifier (as mentioned in the embedded module Product Technical Specification and Customer Design Guideline)<br><br>string type                                               |
| <b>&lt;EdgeState&gt;:</b>   | state of the edge in case of both edge (the interruption happens with a high to low and low to high edge) (please refer to +WIPC command description)                                        |
| 0                           | interruption happens with high to low edge                                                                                                                                                   |

|                                                    |                                                                                                                                                                                                          |
|----------------------------------------------------|----------------------------------------------------------------------------------------------------------------------------------------------------------------------------------------------------------|
| 1                                                  | interruption happens with low to high edge                                                                                                                                                               |
| <b>&lt;Full name&gt;:</b>                          | long alphanumerical format name received from the NITZ message<br>string type                                                                                                                            |
| <b>&lt;Short name&gt;:</b>                         | short alphanumerical format name received from the NITZ message<br>string type                                                                                                                           |
| <b>&lt;Local time zone&gt;:</b>                    | difference, expressed in quarters of an hour, between the local time and GMT.<br>signed integer                                                                                                          |
| <b>&lt;Universal time and local time zone&gt;:</b> | indicates date, time and time zone expressed in quarters of an hour, in format Year/Month/Day,Hour:Min:Seconds±TimeZone<br>string ("yy/MM/dd,hh:mm:ss±zz")                                               |
| <b>&lt;LSA Identity&gt;:</b>                       | localized Service Area identity of the current cell in hexa format (3 bytes)<br>hexa string                                                                                                              |
| <b>&lt;Daylight Saving Time&gt;:</b>               | when the local time zone is compensated for DST (Day Saving time, or summertime), the serving PLMN shall provide a DST parameter to indicate it. The adjustment for DST can be +1h or +2h.<br>range: 0-2 |

## 7.1.4. Parameter Storage

The <IndLevel> parameter is stored in EEPROM without using AT&W command. The default value can be restored using AT&F.

## 7.1.5. Examples

| Command                                                             | Responses                                                                         |
|---------------------------------------------------------------------|-----------------------------------------------------------------------------------|
| AT+WIND?                                                            | +WIND: 0<br>OK                                                                    |
| AT+WIND=255                                                         | OK                                                                                |
| <i>Note: The SIM has been removed</i>                               | +WIND: 0<br><i>Note: The SIM presence pin has been detected as "SIM removed"</i>  |
| <i>Note: The SIM has been inserted</i>                              | +WIND: 1<br><i>Note: The SIM presence pin has been detected as "SIM inserted"</i> |
| <i>Note: The network service is available for an emergency call</i> | +WIND: 7                                                                          |
| <i>Note: The initialization has been completed</i>                  | +WIND: 4                                                                          |

| Command                                                              | Responses                                                                                           |
|----------------------------------------------------------------------|-----------------------------------------------------------------------------------------------------|
| <i>Note: The embedded module received a NITZ information message</i> | +WIND: 15,1,"Cingular<br>Extend",2,"Cingular",3,"+08",4,"03/14/27,1<br>6:59:48+08",5,"123456",6,"2" |
| <b>AT+WIND=2048</b>                                                  | OK<br><i>Note: Activate the +WIND indications for interruption</i>                                  |
|                                                                      | +WIND: 12,"INT0"<br><i>Note: An interruption occurred on INT0</i>                                   |

## 7.1.6. Notes

*Note: Hardware SIM insert/remove indications are not supported for AirPrime SL808xT embedded modules*

The following table indicates the correspondances between <IndLevel> values and "+WIND: <event>[...]" indications that are activated.

| <IndLevel> value | Corresponding <event> |
|------------------|-----------------------|
| 1                | 0 and 1               |
| 2                | 2                     |
| 4                | 3                     |
| 8                | 4                     |
| 16               | 5                     |
| 32               | 6                     |
| 64               | 7                     |
| 128              | 8                     |
| 256              | 9                     |
| 512              | 10                    |
| 1024             | 11                    |
| 2048             | 12                    |
| 4096             | 13 and 14             |
| 8192             | 15                    |
| 16384            | 16                    |



## 7.2. Phone Activity Status +CPAS



### 7.2.1. Description

This command returns the activity status of the mobile station.

### 7.2.2. Syntax

*Action command*

**AT+CPAS**

+CPAS: <pas>

OK

*Read command*

None

*Test command*

**AT+CPAS=?**

+CPAS: (list of supported <pas>s)

OK

### 7.2.3. Parameters and Defined Values

| <pas>: | phone activity status                 |
|--------|---------------------------------------|
| 0      | ready (allow commands from TA/TE)     |
| 1      | unavailable (does not allow commands) |
| 2      | unknown                               |
| 3      | ringing (ringer is active)            |
| 4      | call in progress                      |
| 5      | asleep (low functionality)            |

## 7.2.4. Parameter Storage

None.

## 7.2.5. Examples

| Command                                                    | Responses              |
|------------------------------------------------------------|------------------------|
| <b>AT+CPAS</b><br><br><i>Note: Current activity status</i> | +CPAS: 0<br><br>OK     |
| <b>AT+CPAS=?</b>                                           | +CPAS: (0-5)<br><br>OK |

## 7.3. SIM Holder Status +WSHS



### 7.3.1. Description

This Sierra Wireless proprietary command allows to check at any time the status of the SIM card holder.

### 7.3.2. Syntax

*Action command*

**AT+WSHS**

+WSHS: <status>

OK

*Read command*

None

*Test command*

**AT+WSHS=?**

+WSHS: (list of supported <status>s)

OK

### 7.3.3. Parameters and Defined Values

| <status>: | SIM holder status |
|-----------|-------------------|
| 0         | open              |
| 1         | closed            |

### 7.3.4. Parameter Storage

None.

### 7.3.5. Examples

| Command                                                                 | Responses                                                 |
|-------------------------------------------------------------------------|-----------------------------------------------------------|
| <b>AT+WSHS=?</b>                                                        | +WSHS: (0,1)<br>OK                                        |
| <b>AT+WSHS</b><br><br><i>Note: Request the current SIM holder state</i> | +WSHS: 0<br>OK<br><br><i>Note: The SIM holder is open</i> |

## 7.4. Indicator Control +CIND



### 7.4.1. Description

This command is used to read or set the values of ME indicators. If ME does not allow setting of indicators or ME is not currently reachable, "+CME ERROR: <err>" is returned.

### 7.4.2. Syntax

#### *Action command*

None

#### *Read command*

**AT+CIND?**

+CIND: <ind>,<ind>,<ind>,<ind>,<ind>,<ind>,<ind>

OK

#### *Test command*

**AT+CIND=?**

+CIND: (<descr>,(list of supported <ind>s))[,(<descr>,(list of supported <ind>s))[,...]]

OK

### 7.4.3. Parameters and Defined Values

|                       |           |                                                                                                                                                                                                        |
|-----------------------|-----------|--------------------------------------------------------------------------------------------------------------------------------------------------------------------------------------------------------|
| <b>&lt;ind&gt;:</b>   |           | ME indicator state for one <descr> parameter<br>integer type value, which shall be in range of corresponding <descr> parameter                                                                         |
|                       | 0         | indicator is OFF or in a state which can be identified as "OFF" state                                                                                                                                  |
|                       | 1         | indicator is ON or in a state that is more substantial than "OFF" state                                                                                                                                |
|                       | 2-5       | 2 is more substantial than 1, and so on.                                                                                                                                                               |
| <b>&lt;descr&gt;:</b> | "battchg" | battery charge level (0-5)                                                                                                                                                                             |
|                       | "signal"  | signal quality (0-5)                                                                                                                                                                                   |
|                       | "service" | service availability (0-1)                                                                                                                                                                             |
|                       | "message" | message received (0-1)                                                                                                                                                                                 |
|                       | "call"    | call in progress (0-1)                                                                                                                                                                                 |
|                       | "roam"    | roaming indicator (0-1)                                                                                                                                                                                |
|                       | "smsfull" | SMS memory storage status in the MT (0-2)<br>0: memory locations are available<br>1: memory full<br>2: One SMS has been received in the SC but the SMS storage where this SMS is to be stored is full. |
|                       |           |                                                                                                                                                                                                        |

### 7.4.4. Parameter Storage

None.

### 7.4.5. Examples

| Command          | Responses                                                                                                                                                                                                                                         |
|------------------|---------------------------------------------------------------------------------------------------------------------------------------------------------------------------------------------------------------------------------------------------|
| <b>AT+CIND?</b>  | +CIND: 1,2,1,1,0,0,0<br>OK<br><i>Note: battchg: 1, signal: 2, service: 1 - ME registered on the network, message: 1 - a SMS has been received, call: 0 - no call in progress, roam: 0 - not roaming, smsfull: 0 -SIM card is not full of SMS.</i> |
| <b>AT+CIND=?</b> | +CIND: ("battchg", (0-5)), ("signal", (0-5)), ("service", (0-1)), ("message", (0-1)), ("call", (0-1)), ("roam", (0-1)), ("smsfull", (0-2))<br>OK<br><i>Note: Read possible value for ME indicators</i>                                            |

## 7.5. Mobile Equipment Event Reporting +CMER



### 7.5.1. Description

This Sierra Wireless proprietary command enables or disables sending of unsolicited result codes in the case of a key press.

### 7.5.2. Syntax

#### *Action command*

```
AT+CMER=[<mode>] [, [<key>] [, [<disp>] [, [<ind>] [, [<bfr>]]]]]
```

OK

#### *Read command*

```
AT+CMER?
```

```
+CMER: <mode>,<key>,<disp>,<ind>,<bfr>
```

OK

#### *Test command*

None

#### *Unsolicited response*

```
+CKEV: <key>,<press> (key press event report)
```

```
+CIEV: <indresp>,<value> (indicator event report)
```

### 7.5.3. Parameters and Defined Values

|                         |                                                                                                                                                                                                                                                                                                                                                                                                                                         |    |    |    |   |   |   |   |   |   |   |    |    |    |    |    |    |    |    |    |    |    |    |    |    |    |
|-------------------------|-----------------------------------------------------------------------------------------------------------------------------------------------------------------------------------------------------------------------------------------------------------------------------------------------------------------------------------------------------------------------------------------------------------------------------------------|----|----|----|---|---|---|---|---|---|---|----|----|----|----|----|----|----|----|----|----|----|----|----|----|----|
| <b>&lt;mode&gt;:</b>    | Processing of unsolicited result codes                                                                                                                                                                                                                                                                                                                                                                                                  |    |    |    |   |   |   |   |   |   |   |    |    |    |    |    |    |    |    |    |    |    |    |    |    |    |
| 2                       | Buffer unsolicited result codes in the TA when TA-TE link is reserved and flush them to the TE after reservation (after +++ was entered). Otherwise forward them directly to the TE. (default value)                                                                                                                                                                                                                                    |    |    |    |   |   |   |   |   |   |   |    |    |    |    |    |    |    |    |    |    |    |    |    |    |    |
| 3                       | Forward unsolicited result codes to the TE by using a specific inband technique: while TA-TE link is reserved (i.e. TE is in online data mode by CSD or GPRS call) unsolicited result codes are replaced by a break (100ms) and stored in a buffer. The unsolicited result codes buffer is flushed to the TE after reservation (after +++ was entered). Otherwise, (the TE is not in online data mode) forward them directly to the TE. |    |    |    |   |   |   |   |   |   |   |    |    |    |    |    |    |    |    |    |    |    |    |    |    |    |
| <b>&lt;keyp&gt;:</b>    | keypad event reporting mode                                                                                                                                                                                                                                                                                                                                                                                                             |    |    |    |   |   |   |   |   |   |   |    |    |    |    |    |    |    |    |    |    |    |    |    |    |    |
| 0                       | disabled (default value)                                                                                                                                                                                                                                                                                                                                                                                                                |    |    |    |   |   |   |   |   |   |   |    |    |    |    |    |    |    |    |    |    |    |    |    |    |    |
| 1                       | Keypad event reporting is routed using unsolicited code. Only the key pressings not caused by +CKPD are indicated                                                                                                                                                                                                                                                                                                                       |    |    |    |   |   |   |   |   |   |   |    |    |    |    |    |    |    |    |    |    |    |    |    |    |    |
| 2                       | Keypad event reporting is routed using unsolicited code. All key pressings are indicated                                                                                                                                                                                                                                                                                                                                                |    |    |    |   |   |   |   |   |   |   |    |    |    |    |    |    |    |    |    |    |    |    |    |    |    |
| <b>&lt;ind&gt;:</b>     | indicator event reporting mode                                                                                                                                                                                                                                                                                                                                                                                                          |    |    |    |   |   |   |   |   |   |   |    |    |    |    |    |    |    |    |    |    |    |    |    |    |    |
| 0                       | disabled (default value)                                                                                                                                                                                                                                                                                                                                                                                                                |    |    |    |   |   |   |   |   |   |   |    |    |    |    |    |    |    |    |    |    |    |    |    |    |    |
| 1                       | Indicator event reporting using unsolicited result code. Only the indicator events not caused by +CIND shall be indicated by the TA to TE                                                                                                                                                                                                                                                                                               |    |    |    |   |   |   |   |   |   |   |    |    |    |    |    |    |    |    |    |    |    |    |    |    |    |
| 2                       | Indicator event reporting using unsolicited result code. All indicator events shall be directed from TA to TE                                                                                                                                                                                                                                                                                                                           |    |    |    |   |   |   |   |   |   |   |    |    |    |    |    |    |    |    |    |    |    |    |    |    |    |
| <b>&lt;key&gt;:</b>     | keyboard map is (5,5)                                                                                                                                                                                                                                                                                                                                                                                                                   |    |    |    |   |   |   |   |   |   |   |    |    |    |    |    |    |    |    |    |    |    |    |    |    |    |
|                         | <table border="1"> <tr> <td>0</td> <td>1</td> <td>2</td> <td>3</td> <td>4</td> </tr> <tr> <td>5</td> <td>6</td> <td>7</td> <td>8</td> <td>9</td> </tr> <tr> <td>10</td> <td>11</td> <td>12</td> <td>13</td> <td>14</td> </tr> <tr> <td>15</td> <td>16</td> <td>17</td> <td>18</td> <td>19</td> </tr> <tr> <td>20</td> <td>21</td> <td>22</td> <td>23</td> <td>24</td> </tr> </table>                                                    | 0  | 1  | 2  | 3 | 4 | 5 | 6 | 7 | 8 | 9 | 10 | 11 | 12 | 13 | 14 | 15 | 16 | 17 | 18 | 19 | 20 | 21 | 22 | 23 | 24 |
| 0                       | 1                                                                                                                                                                                                                                                                                                                                                                                                                                       | 2  | 3  | 4  |   |   |   |   |   |   |   |    |    |    |    |    |    |    |    |    |    |    |    |    |    |    |
| 5                       | 6                                                                                                                                                                                                                                                                                                                                                                                                                                       | 7  | 8  | 9  |   |   |   |   |   |   |   |    |    |    |    |    |    |    |    |    |    |    |    |    |    |    |
| 10                      | 11                                                                                                                                                                                                                                                                                                                                                                                                                                      | 12 | 13 | 14 |   |   |   |   |   |   |   |    |    |    |    |    |    |    |    |    |    |    |    |    |    |    |
| 15                      | 16                                                                                                                                                                                                                                                                                                                                                                                                                                      | 17 | 18 | 19 |   |   |   |   |   |   |   |    |    |    |    |    |    |    |    |    |    |    |    |    |    |    |
| 20                      | 21                                                                                                                                                                                                                                                                                                                                                                                                                                      | 22 | 23 | 24 |   |   |   |   |   |   |   |    |    |    |    |    |    |    |    |    |    |    |    |    |    |    |
| <b>&lt;press&gt;:</b>   | key operation                                                                                                                                                                                                                                                                                                                                                                                                                           |    |    |    |   |   |   |   |   |   |   |    |    |    |    |    |    |    |    |    |    |    |    |    |    |    |
| 1                       | key pressed                                                                                                                                                                                                                                                                                                                                                                                                                             |    |    |    |   |   |   |   |   |   |   |    |    |    |    |    |    |    |    |    |    |    |    |    |    |    |
| 0                       | key released                                                                                                                                                                                                                                                                                                                                                                                                                            |    |    |    |   |   |   |   |   |   |   |    |    |    |    |    |    |    |    |    |    |    |    |    |    |    |
| <b>&lt;indresp&gt;:</b> | indicator order number (as specified for +CIND)                                                                                                                                                                                                                                                                                                                                                                                         |    |    |    |   |   |   |   |   |   |   |    |    |    |    |    |    |    |    |    |    |    |    |    |    |    |
| <b>&lt;value&gt;:</b>   | new value of the indicator                                                                                                                                                                                                                                                                                                                                                                                                              |    |    |    |   |   |   |   |   |   |   |    |    |    |    |    |    |    |    |    |    |    |    |    |    |    |



|                      |                                                                             |
|----------------------|-----------------------------------------------------------------------------|
| <b>&lt;bfr&gt;</b> : | TA buffer of unsolicited result codes mode                                  |
| 0                    | TA buffer defined within this command is flushed to the TE<br>default value |
| <b>&lt;disp&gt;</b>  | display event reporting mode                                                |
| 0                    | disabled (default value)                                                    |

## 7.5.4. Parameter Storage

The <key> and <ind> parameters are stored in EEPROM using AT&W command. The default values can be restored using AT&F.

## 7.5.5. Examples

| Command                                                                | Responses                                                                       |
|------------------------------------------------------------------------|---------------------------------------------------------------------------------|
| <b>AT+CMER=, 1</b><br><i>Note: Asks for key press event report</i>     | OK                                                                              |
|                                                                        | +CKEV: 12,1<br>+CKEV: 12,0<br><i>Note: Key 12 has been pressed and released</i> |
| <b>AT+CMER=, , , 1</b><br><i>Note: Asks for indicator event report</i> | OK                                                                              |
|                                                                        | +CMTI: "SM",10<br>+CIEV: 7,1<br><i>Note: SMS memory storage is full</i>         |
| <b>AT+CMER?</b>                                                        | +CMER: 2,1,0,1,0<br>OK                                                          |

## 7.5.6. Notes

As Sierra Wireless OS does not manage the emulation of key press, the values 1 and 2 of <key> lead to the same results.

*Note: Keypad feature is not supported for AirPrime SL808xT, SL3010T and Q2698 embedded modules*

## 7.6. Mobile Equipment Control Mode +CMEC



### 7.6.1. Description

This command selects the equipment which operates ME keypad, writes to ME display and sets ME indicators. If operation mode is not allowed by the ME, "+CME ERROR: <err>" is returned.

### 7.6.2. Syntax

#### *Action command*

```
AT+CMEC=<keyp>[,<disp>[,<ind>]]
```

OK

#### *Read command*

```
AT+CMEC?
```

```
+CMEC: <keyp>,<disp>,<ind>
```

OK

#### *Test command*

```
AT+CMEC=?
```

```
+CMEC: (list of supported <keyp>s),(list of supported <disp>s),(list of supported <ind>s)
```

OK

### 7.6.3. Parameters and Defined Values

|                      |                                                                                                      |
|----------------------|------------------------------------------------------------------------------------------------------|
| <b>&lt;keyp&gt;:</b> | ME keypad control mode                                                                               |
| 2                    | ME can be operated from both ME keypad and TE                                                        |
| <b>&lt;disp&gt;:</b> | ME display control mode                                                                              |
| 0                    | only ME can write to its display (+CDIS command can only be used to read the display)                |
| <b>&lt;ind&gt;:</b>  | ME indicators control mode                                                                           |
| 0                    | only ME can set the status of its indicators (+CIND command can only be used to read the indicators) |

### 7.6.4. Parameter Storage

None.

### 7.6.5. Examples

| Command         | Responses                  |
|-----------------|----------------------------|
| AT+CMEC=?       | +CMEC: (2), (0), (0)<br>OK |
| AT+CMEC=2, 0, 0 | OK                         |
| AT+CMEC?        | +CMEC: 2, 0, 0<br>OK       |

## 7.7. Sierra Wireless Status Request +WSTR



### 7.7.1. Description

This Sierra Wireless proprietary command returns some operation status. It can be used to check the state of the initialization sequence and the network status.

### 7.7.2. Syntax

#### *Action command*

```
AT+WSTR=<req status>
```

```
+WSTR: <req status>,<value>
```

```
OK
```

#### *Read command*

```
None
```

#### *Test command*

```
AT+WSTR=?
```

```
+WSTR: (list of supported <req status>s)
```

```
OK
```

### 7.7.3. Parameters and Defined Values

|                            |   |                                 |                                 |
|----------------------------|---|---------------------------------|---------------------------------|
| <b>&lt;req status&gt;:</b> |   | requested status                |                                 |
|                            | 1 | initialization sequence status  |                                 |
|                            | 2 | network status                  |                                 |
| <b>&lt;value&gt;:</b>      |   | current status                  |                                 |
|                            |   | <b>For &lt;req status&gt;=1</b> | <b>For &lt;req status&gt;=2</b> |
|                            | 0 | not started                     | no network                      |
|                            | 1 | ongoing                         | network available               |
|                            | 2 | finished                        |                                 |

### 7.7.4. Parameter Storage

None.

### 7.7.5. Examples

| Command                                                                | Responses                                                      |
|------------------------------------------------------------------------|----------------------------------------------------------------|
| <b>AT+WSTR=?</b><br><i>Note: Asks for the list of possible values</i>  | +WSTR: (1-2)<br>OK<br><i>Note: possible values are 1 and 2</i> |
| <b>AT+WSTR=1</b><br><i>Note: Selects the status 1 (INIT SEQUENCE)</i>  | +WSTR: 1,2<br>OK<br><i>Note: Initialization finished</i>       |
| <b>AT+WSTR=2</b><br><i>Note: Selects the status 2 (NETWORK STATUS)</i> | +WSTR: 2,1<br>OK<br><i>Note: The network is available</i>      |

## 7.8. Temperature Monitoring Report +WTMR



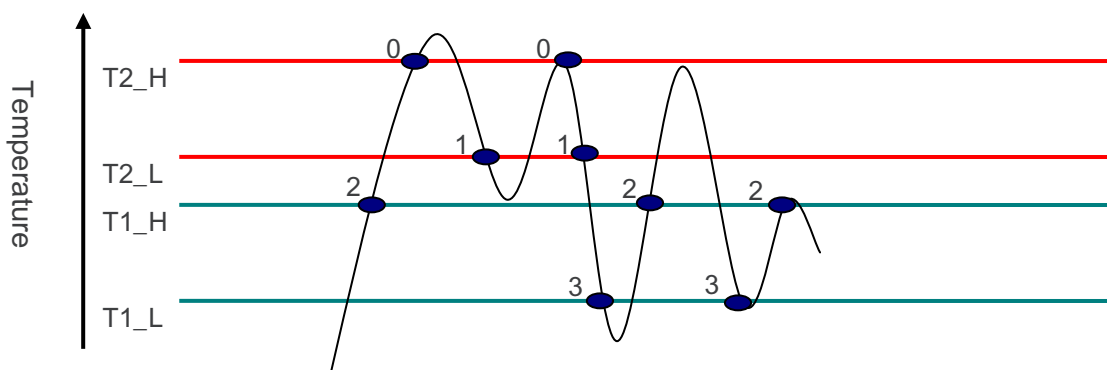
### 7.8.1. Description


This Sierra Wireless proprietary command allows users to enable or disable the unsolicited report of the protocol stack status. The protocol stack is switched off or on automatically as a result of protection on the embedded module and its components against overheating. This protection is based on the Sierra Wireless embedded module temperature monitoring mechanism.

- An unsolicited response with `<state>=0` is sent to indicate the protocol stack is being switched off when the CPU temperature is increasing and reaches the threshold `T2_H`.
- An unsolicited response with `<state>=1` is sent to indicate the protocol stack is being switched on when the CPU temperature is decreasing to the threshold `T2_L` (while the protocol stack was switched off previously). In this state, the embedded module allows emergency calls only.
- An unsolicited response with `<state>=2` is sent to indicate the protocol stack can provide only limited services when the CPU temperature is increasing and reaches the threshold `T1_H` (while full service was provided previously). All activated PDP contexts and ongoing CS calls are deactivated but on-going emergency CS calls are kept. In this state, the embedded module allows emergency calls only.
- An unsolicited response with `<state>=3` is sent to indicate the protocol stack is providing full services when the CPU temperature is decreasing to the threshold `T1_L` or below.

#### 7.8.1.1. Embedded Module Temperature Monitoring Mechanism

Four pre-defined threshold temperatures – `T1_L`, `T1_H`, `T2_L` and `T2_H` – are used in this mechanism as illustrated below.



| Element                                                                           | Definition                                               |
|-----------------------------------------------------------------------------------|----------------------------------------------------------|
|  | Unsolicited report to indicate the protocol stack states |
| 0, 1, 2, 3                                                                        | Protocol stack states                                    |

Normally, the embedded module works with full services below T1\_L. When the embedded module temperature reaches the threshold T1\_H or above, all activated PDP contexts and ongoing CS calls are deactivated, except emergency calls. Then, only emergency calls are accepted.

In order to prevent damage to the embedded module and its components, the protocol stack is automatically switched off when the temperature T2\_H is reached. The stack is switched on again when the temperature is down to T2\_L. But before this point, only emergency calls can be issued. Full services of the embedded module are resumed once the temperature is at or below T1\_L.

## 7.8.2. Syntax

### Action command

**AT+WTMR=<mode>**

[+WTMR: <mode>,<state>]

OK

### Read command

**AT+WTMR?**

+WTMR: <mode>

OK

### Test command

**AT+WTMR=?**

+WTMR: (list of supported <mode>)

OK

### Unsolicited Response

+WTMR: <state>

### 7.8.3. Parameters and Defined Values

| <b>&lt;mode&gt;:</b>  | <b>definition</b>                                                                                                                         |
|-----------------------|-------------------------------------------------------------------------------------------------------------------------------------------|
| 0                     | unsolicited report off                                                                                                                    |
| 1                     | unsolicited report on (default)                                                                                                           |
| 2                     | read current embedded module state                                                                                                        |
| <b>&lt;state&gt;:</b> | Embedded module protocol stack status                                                                                                     |
| 0                     | protocol stack is switched off                                                                                                            |
| 1                     | Emergency calls only. The protocol stack is switched on from the state which is switched off previously.                                  |
| 2                     | Emergency calls only. All currently activated packets calls have been hanged-up and ongoing CS call terminated except emergency CS calls. |
| 3                     | Embedded module is in full services                                                                                                       |

### 7.8.4. Parameter Storage

The <mode> parameter is stored in EEPROM without using the AT&W command.



## 7.8.5. Examples

| Command                                                  | Responses                                                                                                               |
|----------------------------------------------------------|-------------------------------------------------------------------------------------------------------------------------|
| <b>AT+WTMR=?</b><br><br><i>Note : Get possible value</i> | +WTMR: (0-2)<br>OK<br><i>Note : Three modes (0,1,2) are available</i>                                                   |
| <b>AT+WTMR?</b><br><br><i>Note : Get current value</i>   | +WTMR: 1<br>OK<br><i>Note : Unsolicited report is enabled</i>                                                           |
|                                                          | +WTMR: 2<br><i>Note : Unsolicited report (threshold temperature T1_H reached, protocol stack with limited services)</i> |
| <b>AT+CGACT=1,1</b>                                      | +CME ERROR: 567<br><i>Note : Operation denied due to CPU overheating</i>                                                |
| <b>AT+WTMR=2</b>                                         | +WTMR: 2,2<br>OK<br><i>Note: Read current &lt;state&gt;.</i>                                                            |
| <b>AT+WTMR=0</b>                                         | OK<br><i>Note: Unsolicited report is disabled.</i>                                                                      |
| <b>AT+WTMR=3</b>                                         | +CME ERROR: 3<br><i>Note: Incorrect &lt;mode&gt;.</i>                                                                   |

## 7.9. Temperature Command +WTEMP

### 7.9.1. Description

This Sierra Wireless proprietary command is used to return the board temperature for the AirPrime AR6220, WP6200, and SL808xT. On others products, this command returns **ERROR** in all cases.

### 7.9.2. Syntax

*Action command*

**AT+WTEMP**

+WTEMP: <temperature>

OK

*Read command*

None

*Test command*

None

### 7.9.3. Defined values

**<temperature>**: Board temperature in Celsius degrees

Range: [-45;120]

### 7.9.4. Parameter Storage

None

### 7.9.5. Examples

| Command                                                   | Responses                                                              |
|-----------------------------------------------------------|------------------------------------------------------------------------|
| <b>AT+WTEMP</b><br><i>Note: Request board temperature</i> | +WTEMP: 34<br>OK<br><i>Note: Board temperature in Celsius degrees.</i> |

## 7.10. Sierra Wireless Critical Error Report +WCER



### 7.10.1. Description

This command is used to enable/disable +WCER unsolicited result code, returned when a critical hardware error occurs on the embedded module.

### 7.10.2. Syntax

*Action command*

```
AT+WCER=<mode>
```

OK

*Read command*

```
AT+WCER?
```

```
+WCER: <mode>
```

OK

*Test command*

```
AT+WCER=?
```

```
+WCER: (0-1)
```

OK

*Unsolicited response*

```
+WCER: <errorCause>,<extendedValue>
```

### 7.10.3. Parameters and Defined Values

|                               |                                                                                                                                                                             |
|-------------------------------|-----------------------------------------------------------------------------------------------------------------------------------------------------------------------------|
| <b>&lt;mode&gt;:</b>          | request operation                                                                                                                                                           |
| 0                             | disable Critical Error Report result code +WCER (default value)                                                                                                             |
| 1                             | enable Critical Error Report unsolicited result code +WCER                                                                                                                  |
| <b>&lt;errorCause&gt;:</b>    | hardware error code<br>string type; two bytes error cause in hexadecimal format (e.g. "00C3" equals 195 in decimal);<br>range: "0000"-"1004"                                |
| <b>&lt;extendedValue&gt;:</b> | extended hardware error code (additional information related to <errorCause>)<br>string type; two bytes extended error cause in hexadecimal format;<br>range: "0000"-"FFFF" |

### 7.10.4. Parameter Storage

The <mode> parameter is stored in EEPROM without using the AT&W command.

### 7.10.5. Examples

| Command   | Responses                                                                                                                                     |
|-----------|-----------------------------------------------------------------------------------------------------------------------------------------------|
| AT+WCER=0 | OK                                                                                                                                            |
| AT+WCER=1 | OK<br><i>Note: Enable Critical Error Report unsolicited indication</i>                                                                        |
|           | +WCER: "1000", "0000"<br><i>Note: Critical error occurred on embedded module; main error code is 0x1000, additional error code is 0x0000.</i> |
| AT+WCER?  | +WCER: 1<br>OK                                                                                                                                |
| AT+WCER=? | +WCER: (0-1)<br>OK                                                                                                                            |

## 7.11. Fatal Error Information +WLERR



### 7.11.1. Description

This Sierra Wireless proprietary command gives information about the last 4 fatal errors, the cause of the last reset and the free remaining memory space allocated for the backtrace storage in flash. It also permits to reset the backtrace storage in flash.

### 7.11.2. Syntax

For <Mode>=0

```
Action command
AT+WLERR=<Mode>
OK
```

For <Mode>=1

```
Action command
AT+WLERR=<Mode>
+WLERR: 0,<FatalIndex>[,<FatalString>]
[+WLERR: 0,<FatalIndex>,<FatalString> [...]]
+WLERR: 1,<LastResetCause>
+WLERR: 2,<FreeMemory>,<TotalMemory>,<TotalTraces>
OK
```

```
Test command
AT+WLERR=?
+WLERR: (list of supported <Mode>s)
OK
```

### 7.11.3. Parameters and Defined Values

|                                  |                                                                                                                                                                                                                                                         |
|----------------------------------|---------------------------------------------------------------------------------------------------------------------------------------------------------------------------------------------------------------------------------------------------------|
| <b>&lt;Mode&gt;:</b>             | Mode                                                                                                                                                                                                                                                    |
| 0                                | Reset the backtrace storage in flash                                                                                                                                                                                                                    |
| 1                                | Gives the following information : <ul style="list-style-type: none"> <li>• last fatal errors, (Up to last 4)</li> <li>• the cause of the last reset</li> <li>• the free remaining memory space allocated for the backtraces storage in flash</li> </ul> |
| <b>&lt; FatalIndex&gt;:</b>      | index of the fatal string                                                                                                                                                                                                                               |
| 0 -4                             | 0 if there are no backtraces stored                                                                                                                                                                                                                     |
| <b>&lt; FatalString&gt;:</b>     | The Fatal string and its parameters                                                                                                                                                                                                                     |
|                                  | String type (Up to 50 characters)                                                                                                                                                                                                                       |
| <b>&lt; LastResetCause &gt;:</b> | The reason of the last reset                                                                                                                                                                                                                            |
| 0                                | Normal reset (no error)                                                                                                                                                                                                                                 |
| 1                                | Watchdog reset caused by OpenAt application                                                                                                                                                                                                             |
| 2                                | Watchdog reset caused by the Firmware                                                                                                                                                                                                                   |
| 3                                | OpenAt software Watchdog reset                                                                                                                                                                                                                          |
| 4                                | Xmodem error                                                                                                                                                                                                                                            |
| 5                                | Firmware Fatal error                                                                                                                                                                                                                                    |
| 6                                | OpenAt application Fatal error                                                                                                                                                                                                                          |
| 7                                | Firmware system error                                                                                                                                                                                                                                   |
| 8                                | Unknown error                                                                                                                                                                                                                                           |
| <b>&lt;FreeMemory&gt;:</b>       | The free remaining memory space allocated for the backtrace storage in flash (in bytes)                                                                                                                                                                 |
| 0                                | Integer decimal type                                                                                                                                                                                                                                    |
| <b>&lt; TotalMemory&gt;:</b>     | index of the fatal string                                                                                                                                                                                                                               |
| 0 -4                             | 0 if there are no backtraces stored                                                                                                                                                                                                                     |
| <b>&lt;TotalTraces&gt;:</b>      | The total number of stored backtrace in flash                                                                                                                                                                                                           |
| ...0                             | Integer decimal type                                                                                                                                                                                                                                    |

## 7.11.4. Parameter Storage

### 7.11.5. Examples

| Command    | Responses                                                                                                                                                                                                                                                                                                                                                                                                                                                                                          |
|------------|----------------------------------------------------------------------------------------------------------------------------------------------------------------------------------------------------------------------------------------------------------------------------------------------------------------------------------------------------------------------------------------------------------------------------------------------------------------------------------------------------|
| AT+WLERR=? | +WLERR: (0-1)<br>OK                                                                                                                                                                                                                                                                                                                                                                                                                                                                                |
| AT+WLERR=0 | OK                                                                                                                                                                                                                                                                                                                                                                                                                                                                                                 |
| AT+WLERR=1 | +WLERR: 0,0<br>+WLERR: 1,0<br>+WLERR: 2,32744,32760,0<br><br>OK<br><i>Note: No backtrace stored, last reset was normal, 32744 bytes left in flash for backtraces</i>                                                                                                                                                                                                                                                                                                                               |
| AT+WLERR=1 | +WLERR: 0,1,"Except RTX: task IDLE, bad memory access by 0x176098"<br>+WLERR: 1,5<br>+WLERR: 2,32132,32760,1<br><br>OK<br><i>Note: One backtrace stored, last reset was firmware fatal error,, 32132 bytes left in flash for backtraces</i>                                                                                                                                                                                                                                                        |
| AT+WLERR=1 | +WLERR: 0,1,"Except RTX: task IDLE, bad memory access by 0x176098"<br>+WLERR: 0,2,"Except RTX: task IDLE, bad memory access by 0x176098"<br>+WLERR: 0,3,"Except RTX: task IDLE, bad memory access by 0x176098"<br>+WLERR: 1,5<br>+WLERR: 2,30908,32760,3<br><br>OK<br><i>Note 1: Tree backtraces stored, last reset was firmware fatal error,, 30908 bytes left in flash for backtraces</i><br><i>Note 2: The last backtrace error is the one listed 0,3, the oldest one is the one listed 0,1</i> |

## 7.11.6. Command behavior

### 7.11.6.1. Command availability

This command is available after the +WIND: 3 unsolicited message

### 7.11.6.2. Results

This command returns OK when the command is proceed correctly.

This command returns +CME ERROR: 3 when:

- the parameter is out of range :

| ERROR Responses | Definition                            |
|-----------------|---------------------------------------|
| +CME ERROR: 3   | Parameter is out of range             |
| +CME ERROR: 670 | Flash backtrace storage Not available |
| +CME ERROR: 671 | Flash backtrace storage error         |



## 8. Serial Port Commands

### 8.1. Echo ATE



#### 8.1.1. Description

This command is used to determine whether the embedded module echoes characters received by an external application (DTE) or not.

#### 8.1.2. Syntax

*Action command*

**ATE** [<n>]

OK

*Read command*

None

*Test command*

None

#### 8.1.3. Parameters and Defined Values

|                    |                                                          |
|--------------------|----------------------------------------------------------|
| <b>&lt;n&gt;</b> : | echo activation parameter                                |
| 0                  | Characters are not echoed (default value if <n> omitted) |
| 1                  | Characters are echoed.                                   |

#### 8.1.4. Parameter Storage

The <n> parameter is stored in EEPROM using AT&W command.

## 8.1.5. Examples

| Command                                               | Responses               |
|-------------------------------------------------------|-------------------------|
| <b>ATE0</b><br><i>Note: Characters are not echoed</i> | OK<br><i>Note: Done</i> |
| <b>ATE1</b><br><i>Note: Characters are echoed</i>     | OK<br><i>Note: Done</i> |

## 8.2. Fixed DTE Rate +IPR



### 8.2.1. Description

This command specifies the data rate at which the DCE will accept commands.

### 8.2.2. Syntax

*Action command*

```
AT+IPR=<rate>
```

OK

*Read command*

```
AT+IPR?
```

```
+IPR: <rate>
```

OK

*Test command*

```
AT+IPR=?
```

```
+IPR: (list of auto-detectable <rate>s), (list of supported <rate>s)
```

OK

### 8.2.3. Parameters and Defined Values

**<rate>:** baud rates that can be used by the DCE

|      |                     |
|------|---------------------|
| 0    | enables autobauding |
| 300  |                     |
| 600  |                     |
| 1200 |                     |
| 2400 |                     |
| 4800 |                     |

|                                 |
|---------------------------------|
| 9600                            |
| 19200                           |
| 38400                           |
| 57600                           |
| 115200            default value |
| 230400                          |
| 460800                          |
| 921600                          |

## 8.2.4. Parameter Storage

The <rate> parameter is stored in EEPROM using AT&W command.

## 8.2.5. Examples

| Command             | Responses                                                                                                                                                                                                                                                                                                                                                                                          |
|---------------------|----------------------------------------------------------------------------------------------------------------------------------------------------------------------------------------------------------------------------------------------------------------------------------------------------------------------------------------------------------------------------------------------------|
| <b>AT+IPR?</b>      | +IPR: 9600<br>OK<br><i>Note: Current rate is 9600 bps</i>                                                                                                                                                                                                                                                                                                                                          |
| <b>AT+IPR=?</b>     | +IPR:<br>(1200,2400,4800,9600,19200,38400,57600,115200,230400,460800,921600) ,<br>(0,300,600,1200,2400,4800,9600,19200,38400,57600,115200,230400,<br>460800,921600)<br>OK<br><i>Note: Possible values, according to V25 ter recommendation: the first set of values indicates the range of auto-detectable baud rates .The second set of values indicates the baud rates supported by the DCE.</i> |
| <b>AT+IPR=38400</b> | OK<br><i>Note: Disables autobauding and sets rate to 38400 bps</i>                                                                                                                                                                                                                                                                                                                                 |
| <b>AT+IPR=0</b>     | OK<br><i>Note: Enables autobauding</i>                                                                                                                                                                                                                                                                                                                                                             |

## 8.2.6. Notes

- The serial autobauding feature is supported, and covers the following serial speeds (only): 1200, 2400, 4800, 9600, 19200, 38400, 57600, 115200, 230400, 460800, 921600 bps. Beyond those serial speeds, correct operation of the embedded module is not guaranteed.
- Any AT command issued by the DTE must start with both capital 'A' and 'T' (or '/') or both lower case 'a' and 't' (or '/'), otherwise the DCE may return some garbage characters and become desynchronized. Should this happen, the DTE simply issues 'AT\r' (at 2400 or 4800 bauds) once or twice or just 'AT' (at 9600 bauds) to resynchronize the embedded module.
- The DTE waits for 1ms after receiving the last character of the AT response (which is always '\n' or 0x0A) to send a new AT command at either the same rate or a new rate. Should this delay be ignored, the DCE can become desynchronized. Once again, sending 'AT\r' once or twice or just 'AT' causes the DCE to recover.

---

**Caution:** *When starting up, if autobauding is enabled and no AT command has yet been received, the product sends all unsolicited responses (like RING) at 9600 bauds.*

---

**Note:** *UART2 is not available for the AirPrime SL808xT embedded modules.*

---

## 8.3. DTE-DCE Character Framing +ICF



### 8.3.1. Description

This command is used to determine the local serial port start-stop (asynchronous) character framing used by the DCE.

### 8.3.2. Syntax

*Action command*

```
AT+ICF=<format>[,<parity>]
```

OK

*Read command*

```
AT+ICF?
```

```
+ICF: <format>,<parity>
```

OK

*Test command*

```
AT+ICF=?
```

```
+ICF: (list of supported <format>s),(list of supported <parity>s)
```

OK

### 8.3.3. Parameters and Defined Values

**<format>:** character framing format

|   |                                                 |
|---|-------------------------------------------------|
| 1 | 8 data 2 stop<br><parity> parameter is ignored. |
|---|-------------------------------------------------|

|   |                                                                                            |
|---|--------------------------------------------------------------------------------------------|
| 2 | 8 data 1 parity 1 stop<br>if no <parity> provided, 3 is used by default as <parity> value. |
|---|--------------------------------------------------------------------------------------------|

|   |                                                                  |
|---|------------------------------------------------------------------|
| 3 | 8 data 1 stop<br><parity> parameter is ignored.<br>default value |
|---|------------------------------------------------------------------|

|                                                 |                                                                                            |
|-------------------------------------------------|--------------------------------------------------------------------------------------------|
| 4                                               | 7 data 2 stop<br><parity> parameter is ignored.                                            |
| 5                                               | 7 data 1 parity 1 stop<br>if no <parity> provided, 3 is used by default as <parity> value. |
| 6                                               | 7 data 1 stop<br><parity> parameter is ignored.                                            |
| <b>&lt;parity&gt;:</b> character framing parity |                                                                                            |
| 0                                               | odd                                                                                        |
| 1                                               | even                                                                                       |
| 2                                               | mark                                                                                       |
| 3                                               | space                                                                                      |
| 4                                               | none (default value)                                                                       |

### 8.3.4. Parameter Storage

The <format> and <parity> parameters are stored in EEPROM using AT&W command. The default value can be restored using AT&F.

### 8.3.5. Examples

| Command    | Responses                                                |
|------------|----------------------------------------------------------|
| AT+ICF=?   | +ICF: (1-6), (0-4)<br>OK<br><i>Note: Possible values</i> |
| AT+ICF=2,0 | OK<br><i>Note: New values</i>                            |
| AT+ICF?    | +ICF: 2,0<br>OK<br><i>Note: Current values</i>           |

### 8.3.6. Notes

All framing settings of the serial interface (i.e 801, 8E1, 8S1, 8N1, 7N1, 7O1, 7E1, 7S1 and 7N2) are supported for autobaud mode.

If USB port is used:

- the action command is supported for compatibility reasons (but without effect),
- the response to the action command and the read command behaviour is the same as if sent on UART1 or UART2. See the section Managing the USB feature of the "Appendixes to AT Commands Interface Guide" for the supported USB emulated serial port settings.



## 8.4. DTE-DCE Local Flow Control +IFC



### 8.4.1. Description

This command is used to control the operation of local flow control between the DTE and DCE.

### 8.4.2. Syntax

#### *Action command*

```
AT+IFC=<DCE_by_DTE>,<DTE_by_DCE>  
OK
```

#### *Read command*

```
AT+IFC?  
+IFC: <DCE_by_DTE>,<DTE_by_DCE>  
OK
```

#### *Test command*

```
AT+IFC=?  
+IFC: (list of supported <DCE_by_DTE>s), (list of supported <DTE_by_DCE>s)  
OK
```

### 8.4.3. Parameters and Defined Values

|                            |                              |
|----------------------------|------------------------------|
| <b>&lt;DCE_by_DTE&gt;:</b> | local flow control parameter |
| 0                          | none                         |
| 2                          | RTS (default value)          |
| <b>&lt;DTE_by_DCE&gt;:</b> | local flow control parameter |
| 0                          | none                         |
| 2                          | CTS (default value)          |

## 8.4.4. Parameter Storage

The <DCE\_by\_DTE> and <DTE\_by\_DCE> parameters are stored in EEPROM using AT&W command.

## 8.4.5. Examples

| Command    | Responses                                                |
|------------|----------------------------------------------------------|
| AT+IFC=?   | +IFC: (0,2), (0,2)<br>OK<br><i>Note: Possible values</i> |
| AT+IFC=0,0 | OK<br><i>Note: New values</i>                            |
| AT+IFC?    | +IFC: 0,0<br>OK                                          |

## 8.4.6. Notes

If USB port is used:

- the action command is supported for compatibility reasons (but without effect),
- the response to the action command is the same as if sent on UART1 or UART2 and the value of the both parameters is always 2.

When the <DTE\_by\_DCE> parameter is set to 0 (none), the CTS is kept high all the time.

The valid pairs of values for 'AT+IFC' action command are '0,0' and '2,2' as only 'Auto RTS CTS - Hardware' flow control or Flow control as none values are supported.

## 8.5. Result Code Suppression ATQ



### 8.5.1. Description

This command determines whether the mobile equipment sends result codes or not.

### 8.5.2. Syntax

*Action command*

**ATQ**[<n>]

[OK]

*Read command*

None

*Test command*

None

### 8.5.3. Parameters and Defined Values

|                   |                                                              |
|-------------------|--------------------------------------------------------------|
| <b>&lt;n&gt;:</b> | result code transmission parameter                           |
| 0                 | DCE transmits result codes.                                  |
| 1                 | result codes suppressed and not transmitted (default value). |

### 8.5.4. Parameter Storage

The <n> parameter is stored in EEPROM using AT&W command. The default value can be restored using AT&F.

## 8.5.5. Examples

| Command                                                                     | Responses                        |
|-----------------------------------------------------------------------------|----------------------------------|
| <b>ATQ0</b><br><i>Note: DCE transmits result codes</i>                      | OK<br><i>Note: Command valid</i> |
| <b>ATQ1</b><br><i>Note: Result codes are suppressed and not transmitted</i> | <i>Note: No response</i>         |

## 8.6. DCE Response Format ATV



### 8.6.1. Description

This command determines whether the DCE response format uses or not the header characters <CR><LF>, and whether the result codes are provided as numeric or verbose.

### 8.6.2. Syntax

*Action command*

**ATV**<n>

OK

*Read command*

None

*Test command*

None

### 8.6.3. Parameters and Defined Values

| <n>:              | format control parameter   |                                     |
|-------------------|----------------------------|-------------------------------------|
|                   | information responses      | result code                         |
| 0                 | <text><CR><LF>             | <numeric code><CR>                  |
| 1 (default value) | <CR><LF><br><text><CR><LF> | <CR><LF><br><verbose code><CR><LF>. |

## 8.6.4. Parameter Storage

The <n> parameter is stored in EEPROM using AT&W command. The default value can be restored using AT&F.

## 8.6.5. Examples

| Command                                                                                         | Responses                                       |
|-------------------------------------------------------------------------------------------------|-------------------------------------------------|
| <b>ATV0</b><br><i>Note: DCE transmits limited headers and trailers and numeric result codes</i> | 0<br><i>Note: Command is valid (0 means OK)</i> |
| <b>ATV1</b><br><i>Note: DCE transmits full headers and trailers and verbose response text</i>   | OK<br><i>Note: Command valid</i>                |

## 8.7. Set DCD Signal &C



### 8.7.1. Description

This command controls the Data Carrier Detect (DCD) signal.

### 8.7.2. Syntax

*Action command*

**AT&C [<n>]**

OK

*Read command*

None

*Test command*

None

### 8.7.3. Parameters and Defined Values

|                   |                                                                                     |
|-------------------|-------------------------------------------------------------------------------------|
| <b>&lt;n&gt;:</b> | DCD signal control parameter                                                        |
| 0                 | DCD always on                                                                       |
| 1                 | DCD matches the state of the remote embedded module's data carrier (default value). |

### 8.7.4. Parameter Storage

The <n> parameter is stored in EEPROM using AT&W command. The default value can be restored using AT&F.

## 8.7.5. Examples

| Command                                                                                         | Responses                        |
|-------------------------------------------------------------------------------------------------|----------------------------------|
| <b>AT&amp;C0</b><br><i>Note: DCD always on</i>                                                  | OK<br><i>Note: Command valid</i> |
| <b>AT&amp;C1</b><br><i>Note: DCD matches state of the remote embedded module's data carrier</i> | OK<br><i>Note: Command valid</i> |

## 8.7.6. Notes

Sierra Wireless products slightly differ from V25ter Recommendation. DCD signal ("Circuit 109") is turned ON at the same time the CONNECT message is sent, whereas the specification states that the DCD should be turned ON after the CONNECT message was received.



## 8.8. Set DTR Signal &D



### 8.8.1. Description

This command controls the Data Terminal Ready (DTR) signal.

### 8.8.2. Syntax

*Action command*

```
AT&D [<n>]
```

OK

*Read command*

None

*Test command*

None

### 8.8.3. Parameters and Defined Values

|                   |                                                                                      |
|-------------------|--------------------------------------------------------------------------------------|
| <b>&lt;n&gt;:</b> | DTR signal control parameter                                                         |
| 0                 | DTR signal is ignored.                                                               |
| 1                 | Embedded module switches from data to command mode when DTR switches from ON to OFF. |
| 2                 | Upon DTR switch from ON to OFF, the call is released (default value).                |

### 8.8.4. Parameter Storage

The <n> parameter is stored in EEPROM using AT&W command. The default value can be restored using AT&F.

## 8.8.5. Examples

| Command                                                                                                              | Responses                        |
|----------------------------------------------------------------------------------------------------------------------|----------------------------------|
| <b>AT&amp;D0</b><br><i>Note: The DTR signal is ignored</i>                                                           | OK<br><i>Note: Command valid</i> |
| <b>AT&amp;D1</b><br><i>Note: Embedded module switches from data to command mode when DTR switches from ON to OFF</i> | OK<br><i>Note: Command valid</i> |
| <b>AT&amp;D2</b><br><i>Note: Upon DTR switch from ON to OFF, the call is released</i>                                | OK<br><i>Note: Command valid</i> |

## 8.8.6. Notes

DTR detection can be done over UART or USB interface.

## 8.9. Set DSR Signal &S



### 8.9.1. Description

This command controls the Data Set Ready (DSR) signal.

### 8.9.2. Syntax

*Action command*

```
AT&S [<n>]
```

OK

*Read command*

```
AT&S?
```

```
&S: <n>
```

OK

*Test command*

```
AT&S=?
```

ERROR

### 8.9.3. Parameters and Defined Values

|                   |                                                              |
|-------------------|--------------------------------------------------------------|
| <b>&lt;n&gt;:</b> | DSR signal control parameter                                 |
| 0                 | DSR always ON                                                |
| 1                 | DSR OFF in command mode, DSR ON in data mode (default value) |

### 8.9.4. Parameter Storage

The <n> parameter is stored in EEPROM using AT&W command. The default value can be restored using AT&F.

## 8.9.5. Examples

| Command                                           | Responses |
|---------------------------------------------------|-----------|
| <b>AT&amp;S0</b><br><i>Note: DSR always valid</i> | OK        |
| <b>AT&amp;S1</b><br><i>Note: DSR always valid</i> | OK        |

## 8.10. Sierra Wireless Ring Indicator Mode +WRIM



### 8.10.1. Description

This Sierra Wireless proprietary command sets the state of the Ring Indicator Mode.

### 8.10.2. Syntax

#### *Action command*

```
AT+WRIM=<mode>[,<events_bit_field>[,<pulse_width>]]
```

OK

#### *Read command*

```
AT+WRIM?
```

```
+WRIM: <mode>[,<events_bit_field>[,<pulse_width>]]
```

OK

#### *Test command*

```
AT+WRIM=?
```

```
+WRIM: <mode>[,<events_bit_field>[,<pulse_width>]]
```

```
[+WRIM: <mode>[,<events_bit_field>[,<pulse_width>]] [...]]
```

OK

### 8.10.3. Parameters and Defined Values

|                                  |                                                                                                                                                                                                                                                                                                                                                                                                                                                                                                                                                                                                                                               |
|----------------------------------|-----------------------------------------------------------------------------------------------------------------------------------------------------------------------------------------------------------------------------------------------------------------------------------------------------------------------------------------------------------------------------------------------------------------------------------------------------------------------------------------------------------------------------------------------------------------------------------------------------------------------------------------------|
| <b>&lt;mode&gt;:</b>             | RI mode                                                                                                                                                                                                                                                                                                                                                                                                                                                                                                                                                                                                                                       |
| 0                                | up-down RI mode: no pulses are sent before unsolicited AT response. Up-down signals are sent when receiving an incoming call (default value).                                                                                                                                                                                                                                                                                                                                                                                                                                                                                                 |
| 1                                | <p>pulse RI mode: an electrical pulse is sent on the Ring Indicator signal ONLY for selected event and/or unsolicited AT responses as specified in &lt;events_bit_field&gt;, in order to lose no AT responses when client tasks are in sleep state.</p> <p>When receiving incoming calls, electrical pulses are sent on the RI signal. For incoming IP packet event, the electrical pulse is sent just before sending a downloaded data packet (GPRS or CSD) if the remote client tasks has dropped down his RTS signal.</p> <p>For unsolicited AT response, the electrical pulse is sent just before sending an unsolicited AT response.</p> |
| <b>&lt;events_bit_field&gt;:</b> | <p>events for ring indication</p> <p>mandatory in pulse RI mode (&lt;mode&gt; = 1)</p> <p>bit set to 0: message disabled</p> <p>bit set to 1: message enabled</p>                                                                                                                                                                                                                                                                                                                                                                                                                                                                             |
| bit 0                            | incoming IP packet                                                                                                                                                                                                                                                                                                                                                                                                                                                                                                                                                                                                                            |
| bit 1                            | RING, +CRING, +CCWA, +CLIP                                                                                                                                                                                                                                                                                                                                                                                                                                                                                                                                                                                                                    |
| bit 2                            | +CMT, +CMTI, +CDS, +CDSI                                                                                                                                                                                                                                                                                                                                                                                                                                                                                                                                                                                                                      |
| bit 3                            | +CBM, +CBMI                                                                                                                                                                                                                                                                                                                                                                                                                                                                                                                                                                                                                                   |
| bit 4                            | +CME ERROR: 13, +CCED                                                                                                                                                                                                                                                                                                                                                                                                                                                                                                                                                                                                                         |
|                                  | The unsolicited response "+CME ERROR: 13" is sent out only when there is a SIM card problem.                                                                                                                                                                                                                                                                                                                                                                                                                                                                                                                                                  |
| bit 5                            | +CREG, +CIEV                                                                                                                                                                                                                                                                                                                                                                                                                                                                                                                                                                                                                                  |
| bit 6                            | +WDCI                                                                                                                                                                                                                                                                                                                                                                                                                                                                                                                                                                                                                                         |
| bit 7                            | +CCCM                                                                                                                                                                                                                                                                                                                                                                                                                                                                                                                                                                                                                                         |
| bit 8                            | +CKEV                                                                                                                                                                                                                                                                                                                                                                                                                                                                                                                                                                                                                                         |
| bit 9                            | +CSQ                                                                                                                                                                                                                                                                                                                                                                                                                                                                                                                                                                                                                                          |
| bit 10                           | NO CARRIER                                                                                                                                                                                                                                                                                                                                                                                                                                                                                                                                                                                                                                    |
| bit 11                           | +STCR, +STRIL, +STIN                                                                                                                                                                                                                                                                                                                                                                                                                                                                                                                                                                                                                          |
| bit 12                           | +WIND                                                                                                                                                                                                                                                                                                                                                                                                                                                                                                                                                                                                                                         |
| bit 13                           | +CALA                                                                                                                                                                                                                                                                                                                                                                                                                                                                                                                                                                                                                                         |
| bit 14                           | +WDIAGI, +WBCI                                                                                                                                                                                                                                                                                                                                                                                                                                                                                                                                                                                                                                |
| bit 15                           | +WLOC                                                                                                                                                                                                                                                                                                                                                                                                                                                                                                                                                                                                                                         |

|                                                                                                                                                                                                      |                                                                                                                                                                                                                                             |
|------------------------------------------------------------------------------------------------------------------------------------------------------------------------------------------------------|---------------------------------------------------------------------------------------------------------------------------------------------------------------------------------------------------------------------------------------------|
| bit 16                                                                                                                                                                                               | for Applications<br>If this bit is set, RI pulse will be sent when the unsolicited response initiated by an application is sent.                                                                                                            |
| bit 17                                                                                                                                                                                               | +CGREG                                                                                                                                                                                                                                      |
| bit 18                                                                                                                                                                                               | +CGEV                                                                                                                                                                                                                                       |
| bit 19                                                                                                                                                                                               | +CSSU                                                                                                                                                                                                                                       |
| bit 20                                                                                                                                                                                               | +CUSD                                                                                                                                                                                                                                       |
| bit 21                                                                                                                                                                                               | +WBTUM, +WBTSM                                                                                                                                                                                                                              |
| bit 22                                                                                                                                                                                               | +CLAV                                                                                                                                                                                                                                       |
| <b>&lt;pulse_width&gt;:</b> RI pulse width in ms unit<br>used only in pulse RI mode (<mode>=1).<br>If <pulse_width> parameter is omitted, the last entered value will be used.<br>Default value is 0 |                                                                                                                                                                                                                                             |
| 0-18                                                                                                                                                                                                 | Pulse duration is some $\mu$ s and may be increased up to 3ms, due to overhead interrupt processes.                                                                                                                                         |
| 19-5000                                                                                                                                                                                              | Pulse duration granularity is 18.46 ms. Then effective pulse duration will be rounded to the lowest multiple of 18.46.<br><br>Example:<br><pulse_width>=19 --> pulse duration is 18.46ms<br><pulse_width>= 100 --> pulse duration is 92.3ms |

### 8.10.4. Parameter Storage

The parameters are stored in EEPROM without using AT&W command. The default value can be restored using AT&F.

## 8.10.5. Examples

| Command                                                                                                                                                                         | Responses                                                                                    |
|---------------------------------------------------------------------------------------------------------------------------------------------------------------------------------|----------------------------------------------------------------------------------------------|
| <b>AT+WRIM=?</b><br><br><i>Note : Ask for the list of possible values</i>                                                                                                       | +WRIM: 0<br>+WRIM: 1, (0-8388607), (0-5000)<br>OK<br><i>Note : Possible mode values 0, 1</i> |
| <b>AT+WRIM=0</b><br><br><i>Note : Select up-down RI mode</i>                                                                                                                    | OK<br><i>Note : Up-down RI mode selected</i>                                                 |
| <b>AT+WRIM=1, 71</b><br><br><i>Note: bit field (0...0)1000111 (0x47 or decimal 71) to enable IP packets, RING, +CRING, +CCWA, +CLIP, +CMT, +CMTI, +CDS, +CDSI, +WBCI, +WDCI</i> | OK                                                                                           |
| <b>AT+WRIM?</b><br><br><i>Note : Ask for the current value</i>                                                                                                                  | +WRIM: 1, 71, 0<br>OK<br><i>Note : Current mode is pulse RI</i>                              |

## 8.10.6. Notes

---

*Note:* AT+WRIM is not available for the AirPrime SL808xT embedded modules.

---



## 8.11. Back to Online Mode ATO



### 8.11.1. Description

This command allows to return to online data mode if a connection has been established and the ME is in command mode.

### 8.11.2. Syntax

*Action command*

**ATO**

OK

*Read command*

None

*Test command*

None

### 8.11.3. Parameters and Defined Values

None.

### 8.11.4. Parameter Storage

None.

### 8.11.5. Examples

None.

## 8.12. Multi-Flow Management +WMFM



### 8.12.1. Description

This Sierra Wireless proprietary command manages Multi-Flows:

- opening or closing ports
- associating (or attaching, redirecting) incoming data to ports.

By default, only UART1 is opened, and GSM and GPRS (if applicable) data direction is dynamic.

### 8.12.2. Syntax

- for <type\_of\_action>=0

*Action command*

```
AT+WMFM=<type_of_action>,<mode>[,<port_id>]
```

```
[+WMFM: <type_of_action>,<mode>,<port_id>,<state>[...]]
```

```
OK
```

- for <type\_of\_action>=1

*Action command*

```
AT+WMFM=<type_of_action>,<mode>[,<port_id>[,<data>]]
```

```
[+WMFM: <type_of_action>,<mode>,<port_id>,<data>[...]]
```

```
OK
```

*Read command*

```
AT+WMFM?
```

```
+WMFM: <type_of_action>,<mode>,<port_id>,<state>
```

```
[+WMFM: <type_of_action>,<mode>,<port_id>,<state>[...]]
```

```
+WMFM: <type_of_action>,<mode>,<port_id>,<data>
```

```
[+WMFM: <type_of_action>,<mode>,<port_id>,<data>[...]]
```

```
OK
```

*Test command*

**AT+WMFM=?**

+WMFM: <type\_of\_action>, (list of supported <mode>s), (list of supported <port\_id>s) [, (list of supported <data>s)]

[+WMFM: <type\_of\_action>, (list of supported <mode>s), (list of supported <port\_id>s) [, (list of supported <data>s)] [...]]

OK

### 8.12.3. Parameters and Defined Values

|                                |                                                                                                                                                           |
|--------------------------------|-----------------------------------------------------------------------------------------------------------------------------------------------------------|
| <b>&lt;type_of_action&gt;:</b> | managing mode                                                                                                                                             |
| 0                              | manage active physical ports                                                                                                                              |
| 1                              | manage incoming data                                                                                                                                      |
| <b>&lt;mode&gt;:</b>           | requested operation according to <type_of_action>:                                                                                                        |
| 0                              | close physical port<br>or<br>set dynamic mode for incoming data (data direction is set on ATD / ATA commands for GSM, or ATD / +CGDATA commands for GPRS) |
| 1                              | open physical port<br>or<br>attach incoming data to <port_id>                                                                                             |
| 2                              | read state                                                                                                                                                |
| <b>&lt;port_id&gt;:</b>        | port identifier                                                                                                                                           |
| 1                              | UART1                                                                                                                                                     |
| 1x                             | DLC x on UART 1 (x : from 1 to 4)                                                                                                                         |
| 2                              | UART2                                                                                                                                                     |
| 2x                             | DLC x on UART 2 (x : from 1 to 4)                                                                                                                         |
| 3                              | USB                                                                                                                                                       |
| 3x                             | DLC x on USB (x: from 1 to 4)                                                                                                                             |
| 4                              | dynamic port (only in read mode, default value with <type_of_action>=1)                                                                                   |
| 5                              | UART 3                                                                                                                                                    |
| 5x                             | DLC x on UART 3 (x : from 1 to 4)                                                                                                                         |
| 80                             | Open AT® Application                                                                                                                                      |

|                       |   |                     |
|-----------------------|---|---------------------|
| <b>&lt;data&gt;:</b>  |   | data type           |
|                       | 0 | GSM data            |
|                       | 1 | GPRS data           |
| <b>&lt;state&gt;:</b> |   | physical port state |
|                       | 0 | deactivated         |
|                       | 1 | activated           |

### 8.12.4. Parameter Storage

The <state> and <port\_id> parameters are stored in EEPROM without using AT&W.

### 8.12.5. Examples

| Command                                                            | Responses                                                                                                                                                             |
|--------------------------------------------------------------------|-----------------------------------------------------------------------------------------------------------------------------------------------------------------------|
| <b>AT+WMFM=?</b>                                                   | +WMFM: 0, (0-2), (1, 2, 3, 5, 80)<br>+WMFM: 1, (0-2), (1), (0, 1)<br>OK<br><i>Note: To manage incoming data, only UART 1 is available</i>                             |
| <b>AT+WMFM=0, 2</b>                                                | +WMFM: 0, 2, 1, 1<br>+WMFM: 0, 2, 2, 0<br>+WMFM: 0, 2, 3, 0<br>+WMFM: 0, 2, 5, 0<br><br>OK<br><i>Note: Read state of all ports</i><br><i>Note: UART1 is opened</i>    |
| <b>AT+WMFM=0, 1, 2</b><br><i>Note: Open UART2</i>                  | OK                                                                                                                                                                    |
| <b>AT+WMFM=0, 2, 2</b><br><i>Note: Read UART2 state</i>            | +WMFM: 0, 2, 2, 1<br>OK                                                                                                                                               |
| <b>AT+WMFM=1, 2</b>                                                | +WMFM: 1, 2, 4, 0<br>+WMFM: 1, 2, 4, 1<br><br>OK<br><i>Note: Read attachments of ports to which data are redirected</i><br><i>Note: GSM and GPRS data are dynamic</i> |
| <b>AT+WMFM=1, 1, 1, 0</b><br><i>Note: Attach GSM data to UART1</i> | OK<br><i>Note: GSM data are redirected to UART1</i>                                                                                                                   |

| Command                                                                           | Responses                                                                                                                                                            |
|-----------------------------------------------------------------------------------|----------------------------------------------------------------------------------------------------------------------------------------------------------------------|
| <b>AT+WMFM=1,1,1,1</b><br><i>Note: Attach GPRS data to UART1</i>                  | OK<br><i>Note: GPRS data are redirected to UART1</i>                                                                                                                 |
| <b>AT+WMFM=1,2,1</b><br><br><i>Note: Read attachments of UART1</i>                | +WMFM: 1,2,1,0<br>+WMFM: 1,2,1,1<br>OK<br><i>Note: GSM and GPRS data are redirected to UART1</i>                                                                     |
| <b>AT+WMFM=1,0,,0</b><br><i>Note: Set GSM data dynamic mode</i>                   | OK<br><i>Note: GSM data are directed dynamically on call setup</i>                                                                                                   |
| <b>AT+WMFM=1,0,,1</b><br><i>Note: Set GPRS data dynamic mode</i>                  | OK<br><i>Note: GPRS data are directed dynamically on session setup</i>                                                                                               |
| <b>AT+WMFM?</b>                                                                   | +WMFM: 0,2,1,1<br>+WMFM: 0,2,2,1<br>+WMFM: 0,2,3,0<br>+WMFM: 0,2,5,0<br>+WMFM: 1,2,4,0<br>+WMFM: 1,2,4,1<br>OK                                                       |
| <b>AT+CMUX=0</b><br><i>Note: Launch 27.010 protocol on UART 2 and open 4 DLCs</i> | OK                                                                                                                                                                   |
| <b>AT+WMFM=?</b>                                                                  | +WMFM: 0, (0-2), (1-3,5)<br>+WMFM: 1, (0-2), (1,21,22,23,24), (0,1)<br>OK<br><i>Note: To manage incoming data, UART1, and DLC 1, 2, 3, 4 on UART2 are available.</i> |
| <b>AT+WMFM=1,1,21,0</b><br><i>Note: Attach GSM data to DLC 1 on UART2</i>         | OK                                                                                                                                                                   |

## 8.12.6. Notes

- Since the UART2 port does not provide all the serial signals (only RX/TX/RTS/CTS), it is not recommended to use this port for GSM or GPRS data mode.
- The response to AT+WMFM=? is dynamic according to the different UART states for <type\_of\_action>=1 (depending on which port number is opened when the command is sent to the embedded module).
- Only the remote UART can be opened or closed (it is impossible to close UART1 sending WMFM command trough UART1)
- When <port Id> attached to a data flow allocated for incoming data is closed, the management returns to dynamic mode.
- In the "mode" parameter, 3 value is not allowed. It is reserved for internal use.
- The reading "Port: 80" state with +WMFM command always returns +CME ERROR: 3
- The UART2 port is not available when the Bluetooth stack is started
- When the redirection of the GPRS flow is activated and two GPRS communications are established, the first GPRS flow is attached to the port specified by +WMFM command and the second one is not redirected
- The UART3 information is displayed only if this port is available on the module hardware.
- Unplugging the USB cable or closing USB using the AT+WHCNF closes any active session present on the USB port.

---

*Note:*      *UART2 is not available for the AirPrime SL808xT embedded modules.*

---

## 8.13. Multiplexing Mode +CMUX



### 8.13.1. Description

This command is used to manage (enable or disable) the 3GPP TS 27.010 [14] multiplexing protocol control channel.

This command allows the multiplexing of 4 logical channels on each UART and USB CDC/ACM. Multiplexing can be applied simultaneously to all UART and USB. The client application may handle, by this means, up to 12 channels (4 logical multiplexed channels on each UART and USB).

When a CMUX session is enabled on a specific port, the Sierra Wireless embedded module allows to open 4 DLCs on this port. These DLCs can be in the range of 1 to 4. This excludes DLC0 which is for the control channel.

The AT+CMUX? command returns a +CMUX response only on a DLC port. On a physical port, only OK response is returned.

The AT+CMUX? command returns the 27.010 MUX protocol configuration on the port on which this command is sent.

### 8.13.2. Syntax

#### Action command

```
AT+CMUX=<mode>[,<subset>[,<port_speed>[,<N1>[,<T1>[,<N2>[,<T2>[,<T3>]]]]]]]
```

OK

#### Read command

```
AT+CMUX?
```

```
[+CMUX: <mode>,<subset>,<port_speed>,<N1>,<T1>,<N2>,<T2>,<T3>]
```

OK

#### Test command

```
AT+CMUX=?
```

```
+CMUX: (list of supported <mode>s), (list of supported <subset>s), (list of supported <port_speed>s), (list of supported <N1>s), (list of supported <T1>s), (list of supported <N2>s), (list of supported <T2>s), (list of supported <T3>s)
```

OK

### 8.13.3. Parameters and Defined Values

|                            |       |                                                                                                                                                                                                                                                |
|----------------------------|-------|------------------------------------------------------------------------------------------------------------------------------------------------------------------------------------------------------------------------------------------------|
| <b>&lt;mode&gt;:</b>       |       | multiplexer transparency mechanism                                                                                                                                                                                                             |
|                            | 0     | basic option                                                                                                                                                                                                                                   |
| <b>&lt;subset&gt;:</b>     |       | <p>multiplexer control channel set up</p> <p>A virtual channel may subsequently be set up differently but if there is no settings negotiation, the virtual channel will be set up according to the control channel &lt;subset&gt; setting.</p> |
|                            | 0     | UIH frames used only                                                                                                                                                                                                                           |
| <b>&lt;port_speed&gt;:</b> |       | transmission rate                                                                                                                                                                                                                              |
|                            | 1     | 9600 bit/s                                                                                                                                                                                                                                     |
|                            | 2     | 19200 bit/s                                                                                                                                                                                                                                    |
|                            | 3     | 38400 bit/s                                                                                                                                                                                                                                    |
|                            | 4     | 57600 bit/s                                                                                                                                                                                                                                    |
|                            | 5     | 115200 bit/s                                                                                                                                                                                                                                   |
|                            | 6     | 230400 bit/s                                                                                                                                                                                                                                   |
|                            | 7     | 460800 bit/s                                                                                                                                                                                                                                   |
|                            | 8     | 921600 bit/s                                                                                                                                                                                                                                   |
| <b>&lt;N1&gt;:</b>         |       | maximum frame size                                                                                                                                                                                                                             |
|                            | 1-255 | default value: 31                                                                                                                                                                                                                              |
| <b>&lt;T1&gt;:</b>         |       | acknowledgement timer in units of 20 ms.                                                                                                                                                                                                       |
|                            | 1-128 | default value: 5 (100 ms)                                                                                                                                                                                                                      |
| <b>&lt;N2&gt;:</b>         |       | maximum number of retransmission                                                                                                                                                                                                               |
|                            | 0-255 | default value: 3                                                                                                                                                                                                                               |
| <b>&lt;T2&gt;:</b>         |       | <p>response timer for the multiplexer control channel in units of 20 ms.</p> <p>&lt;T2&gt; must be longer than &lt;T1&gt;</p>                                                                                                                  |
|                            | 1-128 | default value: 15 (300 ms)                                                                                                                                                                                                                     |
| <b>&lt;T3&gt;:</b>         |       | wake up response timer in units of 2 seconds                                                                                                                                                                                                   |
|                            | 1-128 | default value: 5 (10 s)                                                                                                                                                                                                                        |



## 8.13.4. Parameter Storage

None.

## 8.13.5. Examples

| Command                                                                   | Responses                                                                        |
|---------------------------------------------------------------------------|----------------------------------------------------------------------------------|
| <b>AT+CMUX=?</b><br><br><i>Note: Get supported values</i>                 | +CMUX: (0), (0), (1-5), (1-255),<br>(1-128), (0-255), (1-128), (1-128)<br><br>OK |
| <b>AT+CMUX=0,0,5,31,5,3,15,5</b><br><br><i>Note: Enter multiplex mode</i> | OK                                                                               |
| <b>AT+CMUX?</b><br><br><i>Note: Get current values</i>                    | +CMUX: 0,0,5,31,5,3,15,5<br><br>OK                                               |

## 8.13.6. Notes

---

*Note: Unplugging the USB cable or closing USB using AT+WHCFNF closes any active CMUX session present over USB port.*

---

## 8.14. Sierra Wireless USB Configuration +WUSB



### 8.14.1. Description

The AT command described into this document allows the customer to configure the USB interface.

This Sierra Wireless proprietary command allows a user to:

- Update the device and configuration customization
- Set the USB classes to be used

### 8.14.2. Syntax

Depending on the context, several responses to the command are possible:

- For <Mode>=0

```
Action command
AT+WUSB=<Mode>
OK
```

- For <Mode>=1

```
Action command
AT+WUSB=<Mode>[ , [<iVendor>] [ , [<iManufacturer>] [ , <iSerialNumber>]]]
OK
```

- For <Mode>=2

```
Action command
AT+WUSB=<Mode> ,<StackId> [ , [<iProduct>] [ , [<iProduct>] [ , [<bmAttributes>]
[ , <bMaxPower>]]]]
OK
```

- For <Mode>=3

```
Action command
AT+WUSB=<Mode> ,<Selection> [ , <Function>]
OK
```

- For <Mode>=4

```
Action command
AT+WUSB=<Mode> ,<USBAlloc>
OK
```

*Read command*

**AT+WUSB?**

```
+WUSB: 1,<iVendor>,<iManufacturer>,<iSerialNumber>
+WUSB: 2,<StackId>,<iProduct>,<iProduct>,<bmAttributes>,<bMaxPower>
+WUSB: 3,<Selection>,<Function>
+WUSB: 4,<USBAlloc>
OK
```

*Test command*

**AT+WUSB=?**

```
+WUSB: 0
+WUSB: 1,<iVLen>,<iMLen>,<iSNLen>
+WUSB: 2,(list of supported <StackId>s),<iPLen>,<iPLen>,(list of supported
<bmAttributes>s),(list of supported <bMaxPower>s)
+WUSB: 3,(list of supported <Selection>s),(list of supported <Function>s)
+WUSB: 4,(list of supported <USBAlloc>s)
OK
```

### 8.14.3. Parameters and Defined Values

|                               |                                                                                                                                                                                             |
|-------------------------------|---------------------------------------------------------------------------------------------------------------------------------------------------------------------------------------------|
| <b>&lt;Mode&gt;:</b>          | Mode                                                                                                                                                                                        |
| 0                             | Set the default values                                                                                                                                                                      |
| 1                             | Device customization                                                                                                                                                                        |
| 2                             | Configuration customization                                                                                                                                                                 |
| 3                             | USB firmware classes activation                                                                                                                                                             |
| 4                             | USB resource allocation when the device starts (firmware or OS)                                                                                                                             |
| <b>&lt;iVendor&gt;:</b>       | Vendor Id (assigned by the USB-IF)<br>When this parameter is not defined, the value taken into account by the device is: 0x114F. This value is a 16 bits value.                             |
| <b>&lt;iManufacturer&gt;:</b> | Index of string descriptor describing manufacturer<br>When this parameter is not defined, the value taken into account by the device is: "SIERRA WIRELESS". Maximum length = 126 characters |
| <b>&lt;iSerialNumber&gt;:</b> | USB serial number<br>When this parameter is not defined, the value taken into account by the device is the device Serial number (see +WMSN command). Maximum length= 126 characters         |
| <b>&lt;StackId&gt;:</b>       | USB Stack identifier<br>Currently only 0 (meaning UDEV0) is supported                                                                                                                       |
| <b>&lt;iProduct&gt;:</b>      | Product ID (assigned by the manufacturer)<br>When this parameter is not defined, the value taken into account by the device is 0x1000. This value is a 16 bits value.                       |

|                              |                                                                                                                                                                                                    |
|------------------------------|----------------------------------------------------------------------------------------------------------------------------------------------------------------------------------------------------|
| <b>&lt;iProduct&gt;:</b>     | Index of string descriptor describing product<br>When this parameter is not defined, the value taken into account by the device is USB SERIAL PORT. Maximum length = 126 characters                |
| <b>&lt;bmAttributes&gt;:</b> | Configuration characteristics<br>This parameter is taken into account at the next USB enumeration. Note that no values other than those listed below are accepted.                                 |
| 128                          | bus powered device and no remote wakeup                                                                                                                                                            |
| 160                          | bus powered device and remote wakeup                                                                                                                                                               |
| 192                          | self powered device and no remote wakeup                                                                                                                                                           |
| 224                          | self powered device and remote wakeup                                                                                                                                                              |
| <b>&lt;bMaxPower&gt;:</b>    | Maximum power consumption of the USB device from the bus in this specific configuration when the device is fully operational.<br>Expressed in 2 mA units (i.e., 50 = 100 mA).Range: [0-255] in mA. |
| <b>&lt;Selection&gt;:</b>    | <Function> selection state<br>A functional layer needs to be selected on the USB port before using the USB layer.                                                                                  |
| 0                            | Deselected                                                                                                                                                                                         |
| 1                            | Selected                                                                                                                                                                                           |
| <b>&lt;Function&gt;:</b>     | The function in question.                                                                                                                                                                          |
| UFLCDC                       | USB Function Layer Communications Device Class (default value)                                                                                                                                     |
| <b>&lt;idVLen&gt;:</b>       | <idVendor> parameter max length                                                                                                                                                                    |
| <b>&lt;iMLen&gt;:</b>        | <iManufacturer> parameter max length                                                                                                                                                               |
| <b>&lt;iSNLen&gt;:</b>       | <iSerialNumber> parameter max length.                                                                                                                                                              |
| <b>&lt;idPLen&gt;:</b>       | <idProduct> parameter max length                                                                                                                                                                   |
| <b>&lt;iPLen&gt;:</b>        | <iProduct> parameter max length                                                                                                                                                                    |
| <b>&lt;USBAIloc&gt;:</b>     | USB resource allocation at boot.                                                                                                                                                                   |
| 0                            | USB binding allowed by the firmware at boot (default value)                                                                                                                                        |
| 1                            | USB binding not allowed by the firmware at boot (used when an application defines its own USB class)                                                                                               |

### 8.14.4. Parameter Storage

All parameters are stored in non-volatile memory without sending &W command. &F command has no impact on these values.

## 8.14.5. Examples

| Command                                   | Possible responses                                                                                                                                                                         |
|-------------------------------------------|--------------------------------------------------------------------------------------------------------------------------------------------------------------------------------------------|
| <b>AT+WUSB=?</b>                          | +WUSB: 1, 4, 126, 126<br>+WUSB: 2, (0), 4, 126, (128, 160, 192, 224), (0-255)<br>+WUSB: 3, (0-1), ("UFLCDC")<br>+WUSB: 4, (0-1)<br>OK                                                      |
| <b>AT+WUSB?</b>                           | +WUSB: 1, "114F", "SIERRA WIRELESS", "A41010000101501"<br>+WUSB: 2, 0, "1000", "USB SERIAL PORT", 192, 20<br>+WUSB: 3, "UFLCDC"<br>+WUSB: 4, 0<br>OK<br><i>Note: Default customization</i> |
| <b>AT+WUSB=2, 0, "5000", "MyProduct"</b>  | OK<br><i>Note: Device customization</i>                                                                                                                                                    |
| <b>AT+WUSB?</b>                           | +WUSB: 1, "114F", "SIERRA WIRELESS", "A41010000101501"<br>+WUSB: 2, 0, "5000", "MyProduct", 192, 20<br>+WUSB: 3, "UFLCDC"<br>+WUSB: 4, 0<br>OK                                             |
| <b>AT+WUSB=1, "FFFF", "MyCompanyName"</b> | OK<br><i>Note: Device customization</i>                                                                                                                                                    |
| <b>AT+WUSB?</b>                           | +WUSB: 1, "FFFF", "MyCompanyName", "A41010000101501"<br>+WUSB: 2, 0, "5000", "MyProduct", 192, 20<br>+WUSB: 3, "UFLCDC"<br>+WUSB: 4, 0<br>OK                                               |
| <b>AT+WUSB=0</b>                          | OK<br><i>Note: Set the default values</i>                                                                                                                                                  |
| <b>AT+WUSB?</b>                           | +WUSB: 1, "114F", "SIERRA WIRELESS", "A41010000101501"<br>+WUSB: 2, 0, "1000", "USB SERIAL PORT", 192, 20<br>+WUSB: 3, "UFLCDC"<br>+WUSB: 4, 0<br>OK<br><i>Note: Default customization</i> |
| <b>AT+WUSB=2, 0, "1234", "USB MODEM"</b>  | OK<br><i>Note: Configuration customization</i>                                                                                                                                             |

| Command  | Possible responses                                                                                                                                                                                             |
|----------|----------------------------------------------------------------------------------------------------------------------------------------------------------------------------------------------------------------|
| AT+WUSB? | <pre>+WUSB: 1,"114F","SIERRA WIRELESS","A41010000101501" +WUSB: 2,0,"1234","USB MODEM",192,20 +WUSB: 3,"UFLCDC" +WUSB: 4,0  OK  Note: Configuration usable with Sierra Wireless Windows USB Modem driver</pre> |

### 8.14.6. Notes

- To activate the class UFLCDC, see +WMFM command
- Deselect UFLCDC deactivates the class, meaning that the associate port will be closed.
- To delete the device customization, AT+WUSB=1 command should be sent to the device.

To delete the configuration customization, AT+WUSB=2,0 command should be sent to the device

---

**Caution:** If the <idVendor> or <idProduct> are modified, the Sierra Wireless Windows driver is not usable. A new driver corresponding to the customized parameters is mandatory to use the CDC.

---

**Note:** Only the read command is supported for the AirPrime SL808xT and Q2698 embedded modules

---

## 9. Security Commands

### 9.1. Enter PIN +CPIN



#### 9.1.1. Description

This command is used to enter the ME passwords (PIN 1/CHV 1, PIN 2/CHV 2, PUK1, PUK2, etc.), that are required before any ME functionality can be used.

PIN 1/CHV 1 and PIN 2/CHV 2 are between 4 and 8 digits long, PUK1 and PUK2 are only 8 digits long.

After three unsuccessful attempts to enter the PIN, the PUK will be required. PUK validation forces the user to enter a new PIN code as a second parameter and this will be the new PIN code if PUK validation succeeds. PIN 1/CHV 1 is then enabled if PUK1 is correct.

The application is responsible for checking the PIN after each reset or power on if the PIN was enabled.

#### 9.1.2. Syntax

##### *Action command*

```
AT+CPIN=<pin>[,<NewPin>]
```

OK

##### *Read command*

```
AT+CPIN?
```

```
+CPIN: <code>
```

*Note: No OK*

##### *Test command*

None

### 9.1.3. Parameters and Defined Values

|                        |                                                                                                                                                                                                                            |
|------------------------|----------------------------------------------------------------------------------------------------------------------------------------------------------------------------------------------------------------------------|
| <b>&lt;NewPin&gt;:</b> | Personal Identification Number<br>This parameter is required if the PIN state is SIM PUK.<br>four to eight digits number                                                                                                   |
| <b>&lt;pin&gt;:</b>    | Personal Identification Number<br>normally PIN 1/CHV 1<br>According to AT+CPIN?, the <pin> parameter can be PUK 1, PH-SIM PIN, PH-NET PIN, PH-NETSUB PIN, PH-SERVPROV PIN, PH-CORPORATE PIN<br>four to eight digits number |
| <b>&lt;code&gt;:</b>   | SIM code status                                                                                                                                                                                                            |
| READY                  | ME is not writing for any password                                                                                                                                                                                         |
| SIM PIN                | PIN 1/CHV 1 is required                                                                                                                                                                                                    |
| SIM PUK                | PUK1 is required                                                                                                                                                                                                           |
| SIM PIN2               | PIN 2/CHV 2 is required                                                                                                                                                                                                    |
| SIM PUK2               | PUK2 is required                                                                                                                                                                                                           |
| PH-SIM PIN             | SIM lock (phone-to-SIM) is required                                                                                                                                                                                        |
| PH-NET PIN             | network personalization is required                                                                                                                                                                                        |
| PH-NETSUB PIN          | network subset is required                                                                                                                                                                                                 |
| PH- SERVPROV PIN       | service provider is required                                                                                                                                                                                               |
| PH- CORPORATE PIN      | corporate is required                                                                                                                                                                                                      |

### 9.1.4. Parameter Storage

None.

### 9.1.5. Examples

| Command                                       | Responses                                                                   |
|-----------------------------------------------|-----------------------------------------------------------------------------|
| <b>AT+CPIN=1234</b><br><i>Note: Enter PIN</i> | OK<br><i>Note: PIN code is correct</i>                                      |
| <b>AT+CPIN=5678</b><br><i>Note: Enter PIN</i> | +CME ERROR: 3<br><i>Note: Operation not allowed, PIN previously entered</i> |



| Command                                                                         | Responses                                      |
|---------------------------------------------------------------------------------|------------------------------------------------|
| <b>AT+CPIN=00000000,1234</b><br><i>Note: Enter PUK and new PIN</i>              | +CME ERROR: 16<br><i>Note: Incorrect PUK</i>   |
| <b>AT+CPIN=12345678,1234</b><br><i>Note: Enter PUK and new PIN, 2nd attempt</i> | OK<br><i>Note: PUK correct, new PIN stored</i> |

The response "+CME ERROR: 13" (SIM failure) is returned after 10 unsuccessful PUK attempts. The SIM card is then out of order and must be replaced.

If the user tries to do something which requires PIN 2/CHV 2, the product will refuse the action with a "+CME ERROR: 17" (SIM PIN2 required). The product then waits for SIM PIN 2/CHV 2 to be given.

If PIN 2/CHV 2 is blocked, SIM PUK2 is required instead of SIM PIN 2/CHV 2.

For example, the product needs PIN 2/CHV 2 to write in the fixed dialing phonebook (FDN), so if SIM PIN 2/CHV 2 authentication has not been performed during the current session, SIM PIN 2/CHV 2 is required

| Command                                                                            | Responses                                            |
|------------------------------------------------------------------------------------|------------------------------------------------------|
| <b>AT+CPBS="FD"</b><br><i>Note: Choose FDN</i>                                     | OK                                                   |
| <b>AT+CPBW=5,"01290917",129,"Jacky"</b><br><i>Note: Write in FDN at location 5</i> | +CME ERROR: 17<br><i>Note: SIM PIN2 is required</i>  |
| <b>AT+CPIN?</b>                                                                    | +CPIN: SIM PIN2<br><i>Note: SIM PIN2 is required</i> |
| <b>AT+CPIN=5678</b><br><i>Note: Enter SIM PIN2</i>                                 | OK                                                   |
| <b>AT+CPBW=2,"01290917",129,"Jacky"</b><br><i>Note: Write in FDN at location 5</i> | OK<br><i>Note: Writing in FDN is allowed</i>         |

## 9.1.6. Notes

+CME ERROR: 553 is returned when the PIN 1/CHV 1 code is tried to be changed using burned PUK 1 code.

+CME ERROR: 554 is returned when the PIN 1/CHV 1 and PUK1 codes try to be entered when these codes are burned.

## 9.2. Enter PIN2 +CPIN2



### 9.2.1. Description

This Sierra Wireless proprietary command is used to validate the PIN 2/CHV 2 code or to validate the PUK2 code (UNBLOCK CHV2) and to define a new PIN 2/CHV 2 code.

This command is only used when the last command executed resulted in PIN 2/CHV 2 authentication failure.

PIN 2/CHV 2 length is between 4 and 8 digits, PUK2 length is 8 digits only.

After three unsuccessful attempts, PUK2 will be required. PUK2 validation forces the user to enter a new PIN 2/CHV 2 code as a second parameter and this will be the new PIN 2/CHV 2 code if PUK1 validation succeeds.

### 9.2.2. Syntax

#### *Action command*

```
AT+CPIN2=<pin2>[,<NewPin2>]
```

OK

#### *Read command*

```
AT+CPIN2?
```

```
+CPIN2: <code>
```

*Note:* No OK

#### *Test command*

None

### 9.2.3. Parameters and Defined Values

|                        |                                                                     |
|------------------------|---------------------------------------------------------------------|
| <b>&lt;pin2&gt;:</b>   | Personal Identification Number 2<br>four to eight digits number     |
| <b>&lt;oper&gt;:</b>   | Personal Unblocking Key 2 needed to change the PIN2.                |
| <b>&lt;Newpin2&gt;</b> | New Personal Identification Number 2<br>four to eight digits number |
| <b>&lt;code&gt;:</b>   | SIM code status                                                     |
| READY                  | no PIN2 is needed                                                   |
| SIM PIN2               | PIN2 is required                                                    |
| SIM PUK2               | PUK2 is required                                                    |

### 9.2.4. Parameter Storage

None.

### 9.2.5. Examples

| Command                                                                            | Responses                                                                    |
|------------------------------------------------------------------------------------|------------------------------------------------------------------------------|
| <b>AT+CPIN2=1234</b><br><i>Note: Enter PIN2</i>                                    | OK<br><i>Note: PIN2 code is correct</i>                                      |
| <b>AT+CPIN2=5678</b><br><i>Note: Enter PIN2</i>                                    | +CME ERROR: 3<br><i>Note: Operation not allowed, PIN2 previously entered</i> |
| <b>AT+CPIN2=00000000,1234</b><br><i>Note: Enter PUK2 and new PIN2</i>              | +CME ERROR: 16<br><i>Note: Incorrect Password (PUK2)</i>                     |
| <b>AT+CPIN2=12345678,1234</b><br><i>Note: Enter PUK2 and new PIN2, 2nd attempt</i> | OK<br><i>Note: PUK2 correct, new PIN2 stored</i>                             |
| <b>AT+CPIN2=1234</b>                                                               | OK                                                                           |

## 9.3. PIN Remaining Attempt Number +CPINC



### 9.3.1. Description

This Sierra Wireless proprietary command is used to get the number of valid attempts for PIN 1/CHV 1, PIN 2/CHV 2, PUK1 and PUK2 identifiers.

### 9.3.2. Syntax

#### *Action command*

**AT+CPINC**

+CPINC: <n1>,<n2>,<k1>,<k2>

OK

#### *Read command*

**AT+CPINC?**

+CPINC: <n1>,<n2>,<k1>,<k2>

OK

#### *Test command*

**AT+CPINC=?**

OK

### 9.3.3. Parameters and Defined Values

|                     |                                                                       |
|---------------------|-----------------------------------------------------------------------|
| <b>&lt;n1&gt;</b> : | attempts left for PIN 1/CHV 1<br>range: 0-3<br>(0 = blocked, 3 = max) |
| <b>&lt;n2&gt;</b> : | attempts left for PIN 2/CHV 2<br>range: 0-3<br>(0 = blocked, 3 = max) |
| <b>&lt;k1&gt;</b> : | attempts left for PUK1<br>range: 0-10<br>(0 = blocked, 10 = max)      |
| <b>&lt;k2&gt;</b> : | attempts left for PUK2<br>range: 0-10<br>(0 = blocked, 10 = max)      |

### 9.3.4. Parameter Storage

None.

### 9.3.5. Examples

| Command                                                             | Responses                                                                               |
|---------------------------------------------------------------------|-----------------------------------------------------------------------------------------|
| <b>AT+CPINC</b><br><br><i>Note: Get the number of attempts left</i> | +CPINC: 2,3,10,10<br><br>OK<br><br><i>Note: First PIN 1/CHV 1 attempt was a failure</i> |
| <b>AT+CPINC?</b><br><br><i>Note: Get current values</i>             | +CPINC: 2,3,10,10<br><br>OK<br><br><i>Note: First PIN 1/CHV 1 attempt was a failure</i> |

## 9.4. Change Password +CPWD



### 9.4.1. Description

This command is used by the application to change a password (PIN, call barring, NCK, etc.). The facility values are the same as for the +CLCK command with a "P2" facility to manage "SIM PIN 2/CHV 2".

For the network lock ("PN"), unlocking is forbidden after 10 failed attempts to disable (unlock) the network lock with an incorrect password.

### 9.4.2. Syntax

#### *Action command*

```
AT+CPWD=<fac>,<oldpwd>,<newpwd>
```

OK

#### *Read command*

None

#### *Test command*

```
AT+CPWD=?
```

```
+CPWD: list of supported (<fac>,<pwdlength>)s
```

OK

### 9.4.3. Parameters and Defined Values

|                           |                                                                                 |
|---------------------------|---------------------------------------------------------------------------------|
| <b>&lt;fac&gt;:</b>       | facility P2 SIM P2                                                              |
| "PS"                      | SIM lock facility with a 8 digits password                                      |
| "SC"                      | password change (user indicates old and new password)                           |
| "AO"                      | BAOC (Barr All Outgoing Calls)                                                  |
| "OI"                      | BOIC (Barr Outgoing International Calls)                                        |
| "OX"                      | BOIC-exHC (Barr Outgoing International Calls except to Home Country)            |
| "AI"                      | BAIC (Barr All Incoming Calls)                                                  |
| "IR"                      | BIC-Roam (Barr Inc. When Roaming outside Home Country)                          |
| "AB"                      | All Barring services                                                            |
| "AG"                      | All out Going barring services                                                  |
| "AC"                      | All inComing barring services                                                   |
| "P2"                      | PIN code 2/CHV2                                                                 |
| "FD"                      | SIM Fixed Dialing Numbers (FDN) memory feature (PIN2 is required as <password>) |
| "PN"                      | Network lock with a 8 digits password (NCK)                                     |
| "PU"                      | Network Subset lock with a 8 digits password (NSCK)                             |
| "PP"                      | Service Provider lock with a 8 digits password (SPCK).                          |
| "PC"                      | Corporate lock with a 8 digits password (CCK)                                   |
| <b>&lt;oldpwd&gt;:</b>    | on 4 or up to 8 or 16 digits according to the facility                          |
| <b>&lt;newpwd&gt;:</b>    | new password specified for the facility<br>string type [...]                    |
| <b>&lt;pwdlength&gt;:</b> | maximum length of the password for the facility<br>range: 4-16                  |

### 9.4.4. Parameter Storage

None.

## 9.4.5. Examples

| Command                                                            | Responses                                                                                                                                                                                                                                                                                                                                            |
|--------------------------------------------------------------------|------------------------------------------------------------------------------------------------------------------------------------------------------------------------------------------------------------------------------------------------------------------------------------------------------------------------------------------------------|
| <b>AT+CPWD=?</b><br><br><i>Note: Possible values</i>               | +CPWD: ("PS", 8), ("SC", 8), ("AO", 4),<br>("OI", 4), ("OX", 4), ("AI", 4),<br>("IR", 4), ("AB", 4), ("AG", 4),<br>("AC", 4), ("P2", 8), ("FD", 8),<br>("PN", 8), ("PU", 8), ("PP", 8),<br>("PC", 8)<br><br>OK<br><br><i>Note: PIN 1/ CHV 1, PIN 2/CHV 2 must be on 8 digits<br/>maximum (4 minimum). For call barring, on 4 digits<br/>maximum.</i> |
| <b>AT+CPWD="SC", 1234, 5555</b><br><i>Note: Change PIN</i>         | OK<br><i>Note: PIN was correct</i>                                                                                                                                                                                                                                                                                                                   |
| <b>AT+CPWD="SC", 1234, 5555</b><br><i>Note: Change PIN</i>         | +CME ERROR: 16<br><i>Note: PIN was wrong</i>                                                                                                                                                                                                                                                                                                         |
| <b>AT+CPIN=5555</b><br><i>Note: Enter PIN</i>                      | OK<br><i>Note: PIN was correct</i>                                                                                                                                                                                                                                                                                                                   |
| <b>AT+CPWD="PN", 12345678, 00000000</b><br><i>Note: Change NCK</i> | OK<br><i>Note: NCK changed for network lock</i>                                                                                                                                                                                                                                                                                                      |



## 9.5. Facility Lock +CLCK



### 9.5.1. Description

This command is used by the application to lock, unlock or ask for an ME or network facility.

### 9.5.2. Syntax

#### Action command

```
AT+CLCK=<fac>,<mode>[,<password>[,<class>]]
[+CLCK: <status>,<class>[...]]
OK
```

#### Read command

```
AT+CLCK?
+CLCK: (<fac>,<status>), [...]
OK
```

#### Test command

```
AT+CLCK=?
+CLCK: (list of supported <fac>s)
OK
```

### 9.5.3. Parameters and Defined Values

| <fac>: | facility                                                                                                                                  |
|--------|-------------------------------------------------------------------------------------------------------------------------------------------|
| "PS"   | SIM lock facility with a 8 digits password<br><i>Note: "PS" is not supported for AirPrime SL808xT, SL3010T and Q2698 embedded modules</i> |
| "SC"   | PIN enabled (<mode>=1) / disabled (<mode>=0)                                                                                              |
| "AO"   | BAOC (Barr All Outgoing Calls)                                                                                                            |
| "OI"   | BOIC (Barr Outgoing International Calls)                                                                                                  |

|                          |                                                                                                                                                            |
|--------------------------|------------------------------------------------------------------------------------------------------------------------------------------------------------|
| "OX"                     | BOIC-exHC (Barr Outgoing International Calls except to Home Country)                                                                                       |
| "AI"                     | BAIC (Barr All Incoming Calls)                                                                                                                             |
| "IR"                     | BIC-Roam (Barr Incoming When Roaming outside Home Country)                                                                                                 |
| "AB"                     | All Barring services                                                                                                                                       |
| "AG"                     | All out Going barring services                                                                                                                             |
| "AC"                     | All inComing barring services                                                                                                                              |
| "FD"                     | SIM Fixed Dialing Numbers (FDN) memory feature (PIN 2/CHV 2 is required as <password>)                                                                     |
| "PN"                     | Network lock with a 8 digits password (NCK)                                                                                                                |
| "PU"                     | Network Subset lock with a 8 digits password (NSCK)                                                                                                        |
| "PP"                     | Service Provider lock with a 8 digits password (SPCK).                                                                                                     |
| "PC"                     | Corporate lock with a 8 digits password (CCK)<br><hr/> <i>Note: "PC" is not supported for AirPrime SL808xT, SL3010T and Q2698 embedded modules</i> <hr/>   |
| <b>&lt;mode&gt;:</b>     | requested operation                                                                                                                                        |
| 0                        | unlocks the facility                                                                                                                                       |
| 1                        | locks the facility                                                                                                                                         |
| 2                        | query status                                                                                                                                               |
| <b>&lt;password&gt;:</b> | password code<br>string type, 4 to 8 digits depending on <fac>                                                                                             |
| <b>&lt;class&gt;:</b>    | call class<br>The combination of different classes is not supported, it will only result in the activation/deactivation/status request of all classes (7). |
| 1                        | voice                                                                                                                                                      |
| 2                        | data                                                                                                                                                       |
| 4                        | fax                                                                                                                                                        |
| 7                        | voice, data and fax (default value if omitted)                                                                                                             |
| 8                        | short messages                                                                                                                                             |
| <b>&lt;status&gt;:</b>   | facility lock status                                                                                                                                       |
| 0                        | not active                                                                                                                                                 |
| 1                        | active                                                                                                                                                     |

## 9.5.4. Parameter Storage

The <mode> and <password> parameters are stored in EEPROM and SIM (depending on <fac>) without using the AT&W command.

## 9.5.5. Examples

| Command                                                                                | Responses                                                                                                      |
|----------------------------------------------------------------------------------------|----------------------------------------------------------------------------------------------------------------|
| <b>AT+CLCK=?</b>                                                                       | +CLCK:<br>("PS", "SC", "AO", "OI", "OX", "AI", "IR", "AB", "AG", "AC", "FD", "PN", "PU", "PP", "PC")<br><br>OK |
| <b>AT+CLCK="SC", 1, 1234</b><br><i>Note: activate PIN locking, 1234 is PIN 1/CHV 1</i> | OK                                                                                                             |
| <b>AT+CLCK="SC", 2</b>                                                                 | +CLCK: 1<br><br>OK                                                                                             |
| <b>AT+CLCK?</b>                                                                        | +CLCK: ("PS", 0), ("SC", 1), ("FD", 0), ("PN", 0), ("PU", 0), ("PP", 0), ("PC", 0)<br><br>OK                   |

## 9.5.6. Notes

FDN locking is only available after receiving the +WIND: 4 indication.

## 9.6. Sierra Wireless LoCK +WLCK

All cases except auto CNL



For auto CNL



### 9.6.1. Description

This Sierra Wireless proprietary command allows the ME to be locked on a specific network operator.

### 9.6.2. Syntax

*Action command*

```
AT+WLCK=<fac>,<passwd>,<NetId>[,<GID1>[,<GID2>]][,<CnlType>[,<CnlData>]]
```

OK

*Read command*

None

*Test command*

None

### 9.6.3. Parameters and Defined Values

|                         |                                                                                                                                                                                                                                                                                                                                                                  |
|-------------------------|------------------------------------------------------------------------------------------------------------------------------------------------------------------------------------------------------------------------------------------------------------------------------------------------------------------------------------------------------------------|
| <b>&lt;fac&gt;:</b>     | facility to be locked                                                                                                                                                                                                                                                                                                                                            |
| "PS"                    | <i>SIM lock facility with a 8 digits password (PCK) Software damages may occur if power is lost or if a hardware reset occurs during the downloading phase. If it occurs, send again AT + WDWL command to the embedded module and download again the file.</i><br><br><i>Note:"PS" is not supported for AirPrime SL808xT, SL3010T and Q2698 embedded modules</i> |
| "PN"                    | network lock with a 8 digits password (NCK)                                                                                                                                                                                                                                                                                                                      |
| "PU"                    | network subset lock with a 8 digits password (NSCK)                                                                                                                                                                                                                                                                                                              |
| "PP"                    | service provider lock with a 8 digits password (SPCK)                                                                                                                                                                                                                                                                                                            |
| "PC"                    | corporate lock with a 8 digits password (CCK)<br><br><i>Note:"PC" is not supported for AirPrime SL808xT, SL3010T and Q2698 embedded modules</i>                                                                                                                                                                                                                  |
| <b>&lt;CnlType&gt;:</b> | type of lock for cooperative network list (CNL)                                                                                                                                                                                                                                                                                                                  |
| 0                       | automatic (cooperative network list retrieved from EF-CNL SIM file)<br>EF-CNL file must be present in SIM to use automatic mode.                                                                                                                                                                                                                                 |
| 1                       | manual (cooperative network list is given in the <CnlData> parameter)                                                                                                                                                                                                                                                                                            |
| <b>&lt;CnlData&gt;:</b> | cooperative network list<br>same format as in EF-CNL SIM file (please refer to <a href="#">[8]</a> or <a href="#">[9]</a> ) used only if <CnlType> = 1<br>hexastring type                                                                                                                                                                                        |
| <b>&lt;passwd&gt;:</b>  | password code<br>string type, 8 digits                                                                                                                                                                                                                                                                                                                           |
| <b>&lt;NetId&gt;:</b>   | IMSI for SIM lock (<fac>="PS")<br>operator in numeric format (MCC and MNC) for other locks (other <fac> values)                                                                                                                                                                                                                                                  |
| <b>&lt;GID1&gt;:</b>    | Group IDentifier level 1<br>mandatory for service provider lock (<fac>="PP") and for corporate lock (<fac>="PC")                                                                                                                                                                                                                                                 |
| <b>&lt;GID2&gt;:</b>    | Group IDentifier level 2<br>mandatory for corporate lock (<fac>="PC")                                                                                                                                                                                                                                                                                            |

### 9.6.4. Parameter Storage

The lock action is stored in EEPROM without using AT&W.

## 9.6.5. Examples

| Command                                                                                                                                                                                                             | Responses                                                                                                            |
|---------------------------------------------------------------------------------------------------------------------------------------------------------------------------------------------------------------------|----------------------------------------------------------------------------------------------------------------------|
| <b>AT+WLCK="PN",12345678,20810</b><br><br><i>Note: Activate network lock on SFR (208,10)</i>                                                                                                                        | OK<br><br><i>Note: Network lock activated</i>                                                                        |
| <b>AT+WLCK="PS",12345678,208105923568974</b><br><br><i>Note: Activate SIM lock</i>                                                                                                                                  | OK<br><br><i>Note: SIM lock activated</i>                                                                            |
| <b>AT+WLCK="PU",12345678,2081035</b><br><br><i>Note: Activate Network Subset lock on SFR (208, 10, 35)</i>                                                                                                          | OK<br><br><i>Note: Network Subset lock activated</i>                                                                 |
| <b>AT+WLCK="PP",12345678,20810,"E5"</b><br><br><i>Note: Activate Service Provider lock on SFR (208, 10) and GID1 (0xE5).</i>                                                                                        | OK<br><br><i>Note: Service Provider lock activated</i>                                                               |
| <b>AT+WLCK="PC",12345678,20810,"E5","10"</b><br><br><i>Note: Activate Corporate lock on SFR (208, 10), GID1 (0xE5) and GID2 (0x10)</i>                                                                              | OK<br><br><i>Note: Corporate lock activated</i>                                                                      |
| <b>AT+WLCK="PN",12345678,20810,0</b><br><br><i>Note: Activate Network lock on SFR (208, 10) using cooperative network list from SIM file EF-CNL (must be present in SIM)</i>                                        | OK<br><br><i>Note: Network lock activated on SFR and cooperative network list present in SIM</i>                     |
| <b>AT+WLCK="PN",12345678,20801,1,"02F802FFFFFF02F801FFFFFF"</b><br><br><i>Note: Activate Network lock on F ORANGE (208, 01) with manual cooperative network list including SFR (208, 10) and Bouygtel (208, 20)</i> | OK<br><br><i>Note: Network lock activated on F ORANGE (primary network), SFR and Bouygtel (cooperative networks)</i> |

## 9.6.6. Notes

Test SIM cards (with MCC=001 & MNC=01) do not check these locks

# »» 10. Time Management Commands

## 10.1. Clock Management +CCLK



### 10.1.1. Description

This command is used to set or get the current date and time of the ME real time clock.

### 10.1.2. Syntax

#### *Action command*

```
AT+CCLK=<date and time string>
```

OK

#### *Read command*

```
AT+CCLK?
```

```
+CCLK: <date and time string>
```

OK

#### *Test command*

None

### 10.1.3. Parameters and Defined Values

**<date and time string>:**

string format for date/time is: "yy/MM/dd,hh:mm:ss"

Valid years are 00 (for 2000) to 99 (for 2099). The seconds field is not mandatory. Default date/time is "00/01/01,00:00:00" (January 1st, 2000 /midnight).

## 10.1.4. Parameter Storage

The <date and time string> parameter is stored without using AT&W command. If no back-up power supply is connected to the RTC pin, the date and time will be restored to the last value set with +CCLK when the embedded module is power cycled.

**Caution:** For AirPrime SL808xT & Q2698 embedded modules the RTC is reset at each module power on.

## 10.1.5. Examples

| Command                                                                                            | Responses                                                                                                  |
|----------------------------------------------------------------------------------------------------|------------------------------------------------------------------------------------------------------------|
| <b>AT+CCLK="00/06/09,17:33:00"</b><br><i>Note: Set date to June 9th, 2000, and time to 5:33 pm</i> | OK<br><i>Note: Date/Time stored</i>                                                                        |
| <b>AT+CCLK="00/13/13,12:00:00"</b><br><i>Note: Incorrect month entered</i>                         | +CME ERROR: 3                                                                                              |
| <b>AT+CCLK?</b><br><i>Note: Get current date and time</i>                                          | +CCLK: "00/06/09,17:34:23"<br>OK<br><i>Note: Current date is June 9th, 2000 current time is 5:34:23 pm</i> |



## 10.2. Alarm Management +CALA



### 10.2.1. Description

This command is used to set date/time alarms in the ME. The maximum number of alarms is 16.

*Note:* The current datetime should be already set with +CCLK command before using +CALA.

### 10.2.2. Syntax

#### *Action command*

```
AT+CALA=[<date and time string>][,<index>]
```

OK

#### *Read command*

```
AT+CALA?
```

```
+CALA: <date and time string>,<index>
```

```
[+CALA: <date and time string>,<index> [...]]
```

OK

#### *Test command*

None

#### *Unsolicited response*

```
+CALA: <date and time string>,<index>
```

### 10.2.3. Parameters and Defined Values

|                                       |                                                                                                                                                                                                                        |
|---------------------------------------|------------------------------------------------------------------------------------------------------------------------------------------------------------------------------------------------------------------------|
| <b>&lt;date and time string&gt;</b> : | string format for date/time is: "yy/MM/dd,hh:mm:ss"<br><br>Valid years are 00 (for 2000) to 99 (for 2099). The seconds field is not mandatory. Default date/time is "00/01/01,00:00:00" (January 1st, 2000 /midnight). |
| <b>&lt;index&gt;</b> :                | offset in the alarm list,<br><br>range: 1-16.                                                                                                                                                                          |

### 10.2.4. Parameter Storage

None.

### 10.2.5. Examples

| Command                                                                                    | Responses                                                                                                          |
|--------------------------------------------------------------------------------------------|--------------------------------------------------------------------------------------------------------------------|
| <b>AT+CALA="00/06/08,15:25"</b><br><i>Note: Set an alarm for June 8th, 2000 at 3:25 pm</i> | OK                                                                                                                 |
| <b>AT+CALA="00/06/09,07:30"</b><br><i>Note: Set an alarm for June 9th, 2000 at 7:30 am</i> | OK                                                                                                                 |
| <b>AT+CALA?</b><br><br><i>Note: List all alarms</i>                                        | +CALA: "00/06/08,15:25:00",1<br>+CALA: "00/06/09,07:30:00",2<br>OK<br><i>Note: Two alarms are set (index 1, 2)</i> |
|                                                                                            | +CALA: "00/06/08,15:25:00",1<br><i>Note: An alarm occurs (index 1)</i>                                             |
| <b>AT+CALA="" , 2</b><br><i>Note: Delete alarm index 2</i>                                 | OK<br><i>Note: Alarm index 2 deleted</i>                                                                           |
| <b>AT+CALA?</b><br><i>Note: List all alarms</i>                                            | OK<br><i>Note: No alarm</i>                                                                                        |

# Index

&C, 207  
&D, 209  
&F, 114  
&S, 211  
&V, 118  
&W, 112  
A/, 35  
AT, 34  
ATE, 193  
ATI, 53  
ATO, 217  
ATQ, 203  
ATV, 205  
ATZ, 116  
CALA, 249  
CCLK, 247  
CFUN, 107  
CGMI, 37  
CGMM, 39  
CGMR, 51  
CGSN, 49  
CIND, 173  
CLAE, 130  
CLAN, 127  
CLCK, 241  
CMEC, 178  
CMEE, 74  
CMER, 175  
CMUX, 223  
CPAS, 169  
CPIN, 231  
CPIN2, 234  
CPINC, 236  
CPOF, 105  
CPWD, 238  
CSCS, 123  
CSTA, 133  
DAC, 145  
GCAP, 60  
ICF, 198  
IFC, 201  
IPR, 195  
W32K, 102  
WASR, 152  
WBHV, 85  
WCCS, 120  
WCER, 187  
WCFM, 99  
WCPS, 148  
WCTM, 135  
WDEBUG, 138  
WDM, 160  
WDOP, 43  
WDWL, 62  
WFM, 95  
WHCNF, 76  
WHWV, 41  
WIMEI, 45  
WIND, 163  
WIPS, 157  
WLCK, 244  
WLERR, 189  
WMFM, 218  
WMSN, 47  
WOPEN, 64  
WOPENRES, 73  
WPCS, 125  
WRDS, 140  
WRIM, 213  
WRST, 110  
WSHS, 171  
WSTR, 180  
WSVN, 58  
WTEMP, 186  
WTMR, 182  
WUSB, 226



# AT Commands Interface Guide for Firmware 7.52

**Volume 2**



**SIERRA**  
WIRELESS

4111843  
6.0  
October 25, 2013



## Related Documents

This interface specification is based on the following recommendations:

- [1] ETSI GSM 07.05: *Digital cellular telecommunications system (Phase 2); Use of DTE-DCE interface for Short Message Service (SMS) and Cell Broadcast Service (CBS)*
- [2] ETSI GSM 07.07: *Digital cellular telecommunications system (Phase 2); AT command set for GSM Mobile Equipment (ME)*
- [3] ITU-T Recommendation V.25 ter: *Serial asynchronous automatic dialing and control*
- [4] ETSI GSM 03.40: *Digital cellular telecommunications system (Phase 2); Technical implementation of the Short Message Service (SMS) Point-to-Point (PP)*
- [5] ETSI GSM 03.38: *Digital cellular telecommunications system (Phase 2); Alphabets and language-specific information*
- [6] ETSI GSM 04.80: *Digital cellular telecommunications system (Phase 2); Mobile radio interface layer 3, Supplementary service specification, Formats and coding*
- [7] 3GPP 05.02: *3<sup>rd</sup> Generation Partnership Project; Technical Specification Group GSM/EDGE- Radio Access Network; Multiplexing and multiple access on the radio path – 3GPP TS 05.02 V6.9.2 (2001-04)*
- [8] 3GPP 24.008: *Mobile radio interface Layer 3 specification; Core network protocols; Stage 3*
- [9] 3GPP TS 11.11 *Specification of the Subscriber Identity Module - Mobile Equipment (SIM-ME) Interface*
- [10] 3GPP TS 05.08 *Radio subsystem link control*
- [11] 3GPP TS 23.040 *Technical realization of the Short Message Service (SMS);*
- [12] 3GPP TS 22.042 *Network Identity and Time Zone (NITZ) service description; Stage 1*
- [13] 3GPP TS 51.011 *Specification of the Subscriber Identity Module - Mobile Equipment (SIM-ME) interface*
- [14] 3GPP TS 27-010 *Terminal Equipment to User Equipment (TE-UE) multiplexer protocol*
- [15] 3GPP 23.014 *Support of Dual Tone Multi Frequency (DTMF) signaling*
- [16] ISO 639 *Langages Codes*
- [17] 3GPP 27 060 *Packet domain; Mobile Station (MS) supporting Packet Switched services*
- [18] 3GPP TS 23.038 *Alphabets and language-specific information*
- [19] GPP TS 27.005 *Use of Data Terminal Equipment - Data Circuit terminating Equipment (DTE-DCE) interface for Short Message Service (SMS) and Cell Broadcast Service (CBS)*
- [20] ETSI GSM 11.14 *Digital cellular telecommunications system (Phase 2+); Specification of the SIM Application Toolkit for the Subscriber Identity Module - Mobile Equipment (SIM - ME) interface*
- [21] 3GPP TS 23.003 *Digital cellular telecommunications system (Phase 2+) (GSM); Numbering, addressing and identification*
- [22] ETSI GSM 02.24 *Digital cellular telecommunications system (Phase 2+) (GSM);Description of Charge Advice Information (CAI)*
- [23] ETSI GSM 02.86 *Digital cellular telecommunications system (Phase 2+) (GSM);Advice of Charge (AoC) Supplementary Services - Stage 1*
- [24] ETSI GSM 02.90 *Digital cellular telecommunications system (Phase 2+) (GSM);Unstructured Supplementary Service Data (USSD) - Stage 1*
- [25] ETSI GSM 02.85 *Digital cellular telecommunications system (Phase 2+) (GSM);Closed User Group (CUG) Supplementary Services - Stage 1*

- [26] 3GPP 27.007: Digital cellular telecommunications system (Phase 2+) (GSM); AT command set for 3GPP User Equipment (UE) (Release 1999)*
- [27] 3GPP 23.107: Universal Mobile Telecommunications System (UMTS); QoS Concept and Architecture (Release 1999)*
- [28] 3GPP 24.008: European digital cellular telecommunication system (Phase 2+). Mobile radio interface layer 3 specification. (Release 1999)*
- [29] ETSI TS 102 221 "Smart Cards; UICC-Terminal interface; Physical and logical characteristics (Release 1999)".*



# Contents

## Volume 2

|                                                                |           |
|----------------------------------------------------------------|-----------|
| <b>RELATED DOCUMENTS .....</b>                                 | <b>2</b>  |
| <b>CONTENTS .....</b>                                          | <b>4</b>  |
| <b>VOLUME 2.....</b>                                           | <b>4</b>  |
| <b>11. GSM NETWORK COMMANDS.....</b>                           | <b>7</b>  |
| 11.1. Signal Quality +CSQ .....                                | 7         |
| 11.2. Network Registration +CREG .....                         | 9         |
| 11.3. Cell environment description +CCED.....                  | 13        |
| 11.4. Sierra Wireless Multi-band Selection Command +WMBS ..... | 28        |
| 11.5. Registration control +WREGC .....                        | 31        |
| 11.6. Sierra Wireless Location +WLOC .....                     | 36        |
| 11.7. Sierra Wireless Scan +WSCAN .....                        | 40        |
| 11.8. Abort command +WAC.....                                  | 42        |
| 11.9. Band Services command +WUBS .....                        | 44        |
| 11.10. Wireless Service Management +WWSM .....                 | 47        |
| 11.11. Wireless Power Level +WPOW.....                         | 49        |
| 11.12. Error code AT\$ARMEE .....                              | 52        |
| <b>12. CALL CONTROL COMMANDS .....</b>                         | <b>58</b> |
| 12.1. Dial Command to a specific number D.....                 | 58        |
| 12.2. Direct Dial Command with phonebook index D.....          | 62        |
| 12.3. Direct Dial Command using a phonebook entry name D.....  | 65        |
| 12.4. Redial Last Telephone Number DL .....                    | 68        |
| 12.5. Answer a Call A.....                                     | 70        |
| 12.6. Hang-Up Command H.....                                   | 72        |
| 12.7. Sierra Wireless Hang-up +WATH .....                      | 74        |
| 12.8. Remote disconnection .....                               | 76        |
| 12.9. Extended Error Report +CEER .....                        | 77        |
| 12.10. Automatic Dialing with DTR %Dn.....                     | 79        |
| 12.11. Automatic Answer S0 .....                               | 82        |
| 12.12. Incoming Call Bearer +CICB .....                        | 84        |
| 12.13. Single Numbering Scheme +CSNS .....                     | 86        |
| 12.14. Service Reporting Control +CR.....                      | 88        |
| 12.15. Cellular Result Codes +CRC.....                         | 90        |
| <b>13. DATA COMMANDS .....</b>                                 | <b>92</b> |
| 13.1. Using AT Commands during a data connection.....          | 92        |

|            |                                                                                        |            |
|------------|----------------------------------------------------------------------------------------|------------|
| 13.2.      | Bearer Type Selection +CBST .....                                                      | 93         |
| 13.3.      | DTE-DCE Local Rate Reporting +ILRR .....                                               | 96         |
| 13.4.      | Radio Link Protocol Parameters +CRLP .....                                             | 99         |
| 13.5.      | Other Radio Link Parameters +DOPT .....                                                | 101        |
| 13.6.      | Select Mode +FCLASS .....                                                              | 103        |
| 13.7.      | Select Data Compression %C .....                                                       | 105        |
| 13.8.      | V42 Bis Data Compression +DS .....                                                     | 107        |
| 13.9.      | V42 Bis Data Compression Report +DR .....                                              | 109        |
| 13.10.     | Select Data Error Correcting Mode \N .....                                             | 111        |
| <b>14.</b> | <b>GPRS COMMANDS .....</b>                                                             | <b>113</b> |
| 14.1.      | GPRS Mobile Station Class +CGCLASS .....                                               | 113        |
| 14.2.      | GPRS parameters customization: +WGPRS .....                                            | 115        |
| 14.3.      | Define PDP Context +CGDCONT .....                                                      | 125        |
| 14.4.      | GPRS Attach or Detach +CGATT .....                                                     | 128        |
| 14.5.      | PDP Context Activate or Deactivate +CGACT .....                                        | 130        |
| 14.6.      | Request GPRS IP Service D .....                                                        | 132        |
| 14.7.      | Enter Data State +CGDATA .....                                                         | 134        |
| 14.8.      | GPRS Hang-Up Command GH .....                                                          | 136        |
| 14.9.      | Network requested PDP context activation .....                                         | 137        |
| 14.10.     | Manual Response to a Network Request for PDP Manual Context Activation<br>+CGANS ..... | 138        |
| 14.11.     | Automatic Response to a Network Request for PDP Context Activation<br>+CGAUTO .....    | 141        |
| 14.12.     | Quality of Service Profile (Minimum acceptable) +CGQMIN .....                          | 144        |
| 14.13.     | Quality of Service Profile (Requested) +CGQREQ .....                                   | 149        |
| 14.14.     | PDP Context Modify +CGCMOD .....                                                       | 154        |
| 14.15.     | GPRS network registration status +CGREG .....                                          | 156        |
| 14.16.     | GPRS Event reporting +CGEREP .....                                                     | 159        |
| 14.17.     | Select Service for MO SMS Messages +CGSMS .....                                        | 162        |
| 14.18.     | Show PDP Address +CGPADDR .....                                                        | 164        |
| 14.19.     | GSM/GPRS Tx Burst Indication +WTBI .....                                               | 166        |
| 14.20.     | 3G Quality of Service Profile (Requested) +CGEQREQ .....                               | 170        |
| 14.21.     | 3G Quality of Service Profile (Minimum acceptable) +CGEQMIN .....                      | 178        |
| 14.22.     | 3G Quality of Service Profile (Negotiated) +CGEQNEG .....                              | 186        |
| 14.23.     | Authentication Protocol AT+WPPP .....                                                  | 192        |
| <b>15.</b> | <b>PLMN COMMANDS .....</b>                                                             | <b>194</b> |
| 15.1.      | Selection of Preferred PLMN list +CPLS .....                                           | 194        |
| 15.2.      | Operator Selection +COPS .....                                                         | 197        |
| 15.3.      | Preferred Operator List +CPOL .....                                                    | 202        |
| 15.4.      | Operator List Management +WOLM .....                                                   | 206        |
| 15.5.      | Read Operator Name +WOPN .....                                                         | 208        |
| 15.6.      | Read Operator Name +COPN .....                                                         | 212        |



|              |                                       |            |
|--------------|---------------------------------------|------------|
| 15.7.        | Automatic Time Zone Update +CTZU..... | 214        |
| 15.8.        | AT&T Command +PACSP .....             | 216        |
| <b>INDEX</b> | .....                                 | <b>218</b> |



# 11. GSM Network Commands

## 11.1. Signal Quality +CSQ



### 11.1.1. Description

This command is used to read the received signal strength indication and the channel bit error rate with or without a SIM card inserted.

### 11.1.2. Syntax

*Action command*

**AT+CSQ**

+CSQ: <rssi>,<ber>

OK

*Read command*

None

*Test command*

None

### 11.1.3. Parameters and Defined Values

| <rssi>: | received signal strength    |
|---------|-----------------------------|
| 0       | -113 dBm or less            |
| 1       | -111 dBm                    |
| 2 to 30 | -109 to -53 dBm             |
| 31      | -51dBm or greater           |
| 99      | not known or not detectable |

|                      |                                                              |
|----------------------|--------------------------------------------------------------|
| <b>&lt;ber&gt;</b> : | channel bit error rate                                       |
| 0...7                | as RXQUAL values in the table GSM 05.08 <a href="#">[10]</a> |
| 99                   | not known or not detectable                                  |

### 11.1.4. Parameter Storage

None.

### 11.1.5. Examples

| Command       | Responses        |
|---------------|------------------|
| <b>AT+CSQ</b> | +CSQ: 17,1<br>OK |

## 11.2. Network Registration +CREG



### 11.2.1. Description

This command is used by the application to check the registration status of the product.

### 11.2.2. Syntax

#### *Action command*

```
AT+CREG=<mode>
```

```
OK
```

- <stat does not equal 3> : Nominal case

#### *Read command*

```
AT+CREG?
```

```
+CREG: <mode>,<stat>[,<lac>,<cid> [,<AcT>]]
```

```
OK
```

- <stat does not equal 3> : Nominal case

#### *Unsolicited response*

```
AT+CREG?
```

```
+CREG: <stat>[,<lac>,<cid> [,<AcT>]]
```

```
OK
```

- <stat=3>: Specific case

#### *Read command*

```
AT+CREG?
```

```
+CREG: <mode>,<stat>[,<rejectCause>]
```

```
OK
```

#### *Test command*

```
AT+CREG=?
```

```
+CREG: (list of supported <mode>s)
```

```
OK
```

- <stat#3>:Nominal case

*Unsolicited response*

+CREG: <stat>[,<lac>,<cid>]

- <stat=3> Specific case

*Unsolicited response*

+CREG: <stat>[,<rejectCause>]

### 11.2.3. Parameters and Defined Values

|                      |                                                                                                                                                                                                                                                                                                                                                                                                                                    |
|----------------------|------------------------------------------------------------------------------------------------------------------------------------------------------------------------------------------------------------------------------------------------------------------------------------------------------------------------------------------------------------------------------------------------------------------------------------|
| <b>&lt;mode&gt;:</b> | request operation                                                                                                                                                                                                                                                                                                                                                                                                                  |
| 0                    | disable network registration unsolicited result code (default value)                                                                                                                                                                                                                                                                                                                                                               |
| 1                    | enable network registration code result code +CREG: <stat>                                                                                                                                                                                                                                                                                                                                                                         |
| 2                    | enable network registration and location information unsolicited result code +CREG: <stat>,<lac>,<ci>,<Act> if there is a change of network cell                                                                                                                                                                                                                                                                                   |
| <b>&lt;stat&gt;:</b> | network registration state<br>For <stat> = 1 or 5 (i.e the embedded module is registered on a network) the next parameter couple is returned if <mode> = 2<br>For <stat> = 3 (i.e. the network registration is denied) and if the customer application has enabled, the denied network registration cause with the +WBHV command, only the <rejectCause> parameter is returned with the meaning as explained in <rejectCause> mode |
| 0                    | not registered, ME is not currently searching for a new operator                                                                                                                                                                                                                                                                                                                                                                   |
| 1                    | registered, home network                                                                                                                                                                                                                                                                                                                                                                                                           |
| 2                    | not registered, ME currently searching for a new operator                                                                                                                                                                                                                                                                                                                                                                          |
| 3                    | registration denied                                                                                                                                                                                                                                                                                                                                                                                                                |
| 4                    | unknown                                                                                                                                                                                                                                                                                                                                                                                                                            |
| 5                    | registered, roaming                                                                                                                                                                                                                                                                                                                                                                                                                |
| <b>&lt;lac&gt;:</b>  | location area code<br>string type; two byte location area code in hexadecimal format (e.g. "00C3" equals 195 in decimal)                                                                                                                                                                                                                                                                                                           |
| <b>&lt;ci&gt;:</b>   | cell ID<br>string type ; four byte UTRAN/GERAN cell ID in hexadecimal format                                                                                                                                                                                                                                                                                                                                                       |

|                            |   |                                             |
|----------------------------|---|---------------------------------------------|
| <b>&lt;AcT&gt;</b>         |   | access technology of the registered network |
|                            | 0 | GSM                                         |
|                            | 2 | UTRAN                                       |
| <b>&lt;rejectCause&gt;</b> |   | network registration denied cause           |
|                            | 0 | Illegal MS                                  |
|                            | 1 | Illegal ME                                  |
|                            | 2 | IMSI Unknown                                |
|                            | 3 | Bad network authentication                  |

### 11.2.4. Parameter Storage

The <mode> parameter is stored in EEPROM using AT&W command. Examples

| Command                                                                                           | Responses                                                                                                                                           |
|---------------------------------------------------------------------------------------------------|-----------------------------------------------------------------------------------------------------------------------------------------------------|
| <b>AT+CREG?</b>                                                                                   | +CREG: <mode>,<stat><br>OK                                                                                                                          |
| <b>AT+CREG=0</b><br><i>Note: Disable network registration unsolicited result code</i>             | OK<br><i>Note: Command valid</i>                                                                                                                    |
| <b>AT+CREG=1</b><br><i>Note: Enable network registration</i>                                      | OK<br><i>Note: Command valid</i>                                                                                                                    |
| <b>AT+CREG=2</b><br><i>Note: Enable network registration unsolicited result code registration</i> | OK<br><i>Note: Command valid</i>                                                                                                                    |
| <b>AT+CREG=?</b>                                                                                  | +CREG: (0-2)<br>OK<br><i>Note: 0,1,2 &lt;mode&gt; values are supported</i>                                                                          |
| <b>AT+CREG?</b><br><i>Note: Get the CREG status</i>                                               | +CREG: 2,1,"0006","00007D9A",0<br>OK<br><i>Note: The embedded module is registered on the home network with the lac=0006 and the cell ID = 7D9A</i> |
|                                                                                                   | +CREG: 3,1<br><i>Note: The network indicates that the registration is denied for an Illegal ME reason.</i>                                          |
| <b>AT+WBHV=5,1</b><br><i>Note: Activate the mode to have the cause of the network reject</i>      | OK                                                                                                                                                  |

| Command                                                 | Responses                                                                                                                                                   |
|---------------------------------------------------------|-------------------------------------------------------------------------------------------------------------------------------------------------------------|
| <b>AT+CREG?</b><br><br><i>Note: Get the CREG status</i> | +CREG: 2,1,"0006","00007D9A",0<br><br>OK<br><br><i>Note: The embedded module is registered on the home network with the lac=0006 and the cell ID = 7D9A</i> |
|                                                         | +CREG: 3,1<br><br><i>Note: The network indicates that the registration is denied for an Illegal ME reason.</i>                                              |

### 11.2.5. Notes

When the network registration denied cause indication is enabled with the +WBHV command, the <rejectCause> parameter is used to return the network reject cause when the <stat> parameter is equal to 3. If the enhanced mode is not enabled (with the +WBHV command), the <stat> parameter contains 3 to indicate that the network registration is denied but without <rejectCause> parameter. For other <stat> values, the nominal syntax is used.

## 11.3. Cell environment description +CCED



### 11.3.1. Description

This Sierra Wireless proprietary command retrieves the parameters of the main cell and of up to six neighboring cells for GSM.

There are two possible methods to provide these cell parameters:

- On request by the application or
- Automatically by the product every 5 seconds.

Automatic mode is not supported during registration.

### 11.3.2. Syntax

#### Action command

```
AT+CCED=<mode>[,<requested dump>[,<CsqStep>]][, <Extend>]
```

```
[+CSQ: <rssI>,<ber>]
```

```
[+CCED: [<Act>][[,]<Main Cell dump>][,<GSM Neighbor 1 dump>][,<GSM Neighbor 2
dump>][,<GSM Neighbor 3 dump>][,<GSM Neighbor 4 dump>][,<GSM Neighbor 5 dump>][,<GSM
Neighbor 6 dump>]]][[,]<Main Cell TA>][[,]<Neighbor 1 TA>][[,]<Neighbor 2
TA>][[,]<Neighbor 3 TA>][[,]<Neighbor 4 TA>][[,]<Neighbor 5 TA>][[,]<Neighbor 6
TA>]][,<UTRAN Neighbor 1 dump>][,<UTRAN Neighbor 2 dump>][,<UTRAN Neighbor 3
dump>][,<UTRAN Neighbor 4 dump>][,<UTRAN Neighbor 5 dump>][,<UTRAN Neighbor 6
dump>][,...]]][[,]<Active Set 1 dump>][,<Active Set 2 dump>][,<Active Set 3
dump>][,<Active Set 4 dump>][,<Active Set 5 dump>][,<Active Set 6
dump>]]][[,<MeasActiv bitmap>]
```

```
OK
```

#### Read command

```
None
```

#### Test command

```
None
```



*Unsolicited response*

```
[+CSQ: <rssI>,<ber>]
[+CCED: [<AcT>][[,]<Main Cell dump>][,<GSM Neighbor 1 dump>][,<GSM Neighbor 2
dump>][,<GSM Neighbor 3 dump>][,<GSM Neighbor 4 dump>][,<GSM Neighbor 5 dump>][,<GSM
Neighbor 6 dump>]]]]][[,]<Main Cell TA>]]][,<UTRAN Neighbor 1 dump>][,<UTRAN
Neighbor 2 dump>][,<UTRAN Neighbor 3 dump>][,<UTRAN Neighbor 4 dump>][,<UTRAN Neighbor
5 dump>][,<UTRAN Neighbor 6 dump>][, ...]]]]][[,<Active Set 1 dump>][,<Active Set 2
dump>][,<Active Set 3 dump>][,<Active Set 4 dump>][,<Active Set 5 dump>][,<Active Set 6
dump>]]]]]]][[,<MeasActiv bitmap>]
```

### 11.3.3. Parameters and Defined Values

|                                |                                                                                                                                                                                                                                                                                                                                                                                  |
|--------------------------------|----------------------------------------------------------------------------------------------------------------------------------------------------------------------------------------------------------------------------------------------------------------------------------------------------------------------------------------------------------------------------------|
| <b>&lt;mode&gt;:</b>           | requested operation                                                                                                                                                                                                                                                                                                                                                              |
| 0                              | one shot requested<br>the requested dump is returned as intermediate response                                                                                                                                                                                                                                                                                                    |
| 1                              | automatic shots requested<br>the requested dump is returned by the embedded module as unsolicited response                                                                                                                                                                                                                                                                       |
| 2                              | stop automatic shots                                                                                                                                                                                                                                                                                                                                                             |
| <b>&lt;requested dump&gt;:</b> | requested cell parameter<br>If omitted, the last value used for a CCED request is used, or 239 (if the command has not been previously used)                                                                                                                                                                                                                                     |
| 1                              | Main Cell only<br>2G products:<br>+CCED: <Main Cell dump><br>3G products:<br>+CCED: <AcT>,<Main Cell dump>                                                                                                                                                                                                                                                                       |
| 2                              | GSM Neighbors 1 to 6<br>2G products<br>+CCED: <GSM Neighbor 1 dump>[,<GSM Neighbor 2 dump>][,<GSM Neighbor 3 dump>][,<GSM Neighbor 4 dump>][,<GSM Neighbor 5 dump>][,<GSM Neighbor 6 dump>]]]]]<br>3G products<br>+CCED: <AcT>,<GSM Neighbor 1 dump>[,<GSM Neighbor 2 dump>][,<GSM Neighbor 3 dump>][,<GSM Neighbor 4 dump>][,<GSM Neighbor 5 dump>][,<GSM Neighbor 6 dump>]]]]] |

|   |                                                                                                                                                                                                                                                                                                                                                                                                                                                                                                                                                                                                                                         |
|---|-----------------------------------------------------------------------------------------------------------------------------------------------------------------------------------------------------------------------------------------------------------------------------------------------------------------------------------------------------------------------------------------------------------------------------------------------------------------------------------------------------------------------------------------------------------------------------------------------------------------------------------------|
| 3 | <p>Main Cell then GSM Neighbors 1 to 6</p> <p>2G products:</p> <p>+CCED: &lt;Main Cell dump&gt;,&lt;GSM Neighbor 1 dump&gt;[,&lt;GSM Neighbor 2 dump&gt;[,&lt;GSM Neighbor 3 dump&gt;[,&lt;GSM Neighbor 4 dump&gt;[,&lt;GSM Neighbor 5 dump&gt;[,&lt;Neighbor 6 dump&gt;]]]]]</p> <p>3G products:</p> <p>+CCED: &lt;AcT&gt;,&lt;Main Cell dump&gt;,&lt;GSM Neighbor 1 dump&gt;[,&lt;GSM Neighbor 2 dump&gt;[,&lt;GSM Neighbor 3 dump&gt;[,&lt;GSM Neighbor 4 dump&gt;[,&lt;GSM Neighbor 5 dump&gt;[,&lt;Neighbor 6 dump&gt;]]]]]</p>                                                                                                    |
| 4 | <p>Main Cell Timing Advance</p> <p>2G products:</p> <p>+CCED: &lt;Main Cell TA&gt;</p> <p>3G products:</p> <p>+CCED: &lt;AcT&gt;[,&lt;Main Cell TA&gt;]</p>                                                                                                                                                                                                                                                                                                                                                                                                                                                                             |
| 5 | <p>Main Cell, then Timing Advance</p> <p>2G products:</p> <p>+CCED: &lt;Main Cell dump&gt;[,&lt;Main Cell TA&gt;]</p> <p>3G products:</p> <p>+CCED: &lt;AcT&gt;,&lt;Main Cell dump&gt;[,&lt;Main Cell TA&gt;]</p>                                                                                                                                                                                                                                                                                                                                                                                                                       |
| 6 | <p>GSM Neighbors 1 to 6, then Timing Advance</p> <p>2G products:</p> <p>+CCED: &lt;GSM Neighbor 1 dump&gt;[,&lt;GSM Neighbor 2 dump&gt;[,&lt;GSM Neighbor 3 dump&gt;[,&lt;GSM Neighbor 4 dump&gt;[,&lt;GSM Neighbor 5 dump&gt;[,&lt;GSM Neighbor 6 dump&gt;]]]]],&lt;Main Cell TA&gt;]</p> <p>3G products:</p> <p>+CCED: &lt;AcT&gt;,&lt;GSM Neighbor 1 dump&gt;[,&lt;GSM Neighbor 2 dump&gt;[,&lt;GSM Neighbor 3 dump&gt;[,&lt;GSM Neighbor 4 dump&gt;[,&lt;GSM Neighbor 5 dump&gt;[,&lt;GSM Neighbor 6 dump&gt;]]]]],&lt;Main Cell TA&gt;]</p>                                                                                        |
| 7 | <p>+CCED response: Main Cell, then GSM Neighbors 1 to 6, then Timing Advance</p> <p>2G products:</p> <p>+CCED: [&lt;Main Cell dump&gt;][[,&lt;GSM Neighbor 1 dump&gt;[,&lt;GSM Neighbor 2 dump&gt;[,&lt;GSM Neighbor 3 dump&gt;[,&lt;GSM Neighbor 4 dump&gt;[,&lt;GSM Neighbor 5 dump&gt;[,&lt;GSM Neighbor 6 dump&gt;]]]]],&lt;Main Cell TA&gt;]</p> <p>3G products:</p> <p>+CCED: &lt;AcT&gt;, [&lt;Main Cell dump&gt;][[,&lt;GSM Neighbor 1 dump&gt;[,&lt;GSM Neighbor 2 dump&gt;[,&lt;GSM Neighbor 3 dump&gt;[,&lt;GSM Neighbor 4 dump&gt;[,&lt;GSM Neighbor 5 dump&gt;[,&lt;GSM Neighbor 6 dump&gt;]]]]],&lt;Main Cell TA&gt;]</p> |

|    |                                                                                                                                                                                                                                                                                                                                                                                                                                                                                                                                                                                                                                   |
|----|-----------------------------------------------------------------------------------------------------------------------------------------------------------------------------------------------------------------------------------------------------------------------------------------------------------------------------------------------------------------------------------------------------------------------------------------------------------------------------------------------------------------------------------------------------------------------------------------------------------------------------------|
| 8  | <p>Main Cell RSSI indications</p> <p>+CSQ: &lt;rss&gt;,&lt;ber&gt;</p>                                                                                                                                                                                                                                                                                                                                                                                                                                                                                                                                                            |
| 9  | <p>Main Cell only</p> <p>2G products:</p> <p>+CSQ: &lt;rss&gt;,&lt;ber&gt;</p> <p>+CCED: &lt;Main Cell dump&gt;</p><br><p>3G products:</p> <p>+CSQ: &lt;rss&gt;,&lt;ber&gt;</p> <p>+CCED: &lt;AcT&gt;,&lt;Main Cell dump&gt;</p>                                                                                                                                                                                                                                                                                                                                                                                                  |
| 10 | <p>GSM Neighbors 1 to 6</p> <p>2G products:</p> <p>+CSQ: &lt;rss&gt;,&lt;ber&gt;</p> <p>+CCED: &lt;GSM Neighbor 1 dump&gt;[,&lt;GSM Neighbor 2 dump&gt;[,&lt;GSM Neighbor 3 dump&gt;[,&lt;GSM Neighbor 4 dump&gt;[,&lt;GSM Neighbor 5 dump&gt;[,&lt;GSM Neighbor 6 dump&gt;]]]]]</p><br><p>3G products:</p> <p>+CSQ: &lt;rss&gt;,&lt;ber&gt;</p> <p>+CCED: &lt;AcT&gt;,&lt;GSM Neighbor 1 dump&gt;[,&lt;GSM Neighbor 2 dump&gt;[,&lt;GSM Neighbor 3 dump&gt;[,&lt;GSM Neighbor 4 dump&gt;[,&lt;GSM Neighbor 5 dump&gt;[,&lt;GSM Neighbor 6 dump&gt;]]]]]</p>                                                                      |
| 11 | <p>Main Cell, then Neighbors 1 to 6</p> <p>2G products:</p> <p>+CSQ: &lt;rss&gt;,&lt;ber&gt;</p> <p>+CCED: [&lt;Main Cell dump&gt;][[,&lt;GSM Neighbor 1 dump&gt;[,&lt;GSM Neighbor 2 dump&gt;[,&lt;GSM Neighbor 3 dump&gt;[,&lt;GSM Neighbor 4 dump&gt;[,&lt;GSM Neighbor 5 dump&gt;[,&lt;GSM Neighbor 6 dump&gt;]]]]]]]</p><br><p>3G products:</p> <p>+CSQ: &lt;rss&gt;,&lt;ber&gt;</p> <p>+CCED: &lt;AcT&gt;,[&lt;Main Cell dump&gt;][,&lt;GSM Neighbor 1 dump&gt;[,&lt;GSM Neighbor 2 dump&gt;[,&lt;GSM Neighbor 3 dump&gt;[,&lt;GSM Neighbor 4 dump&gt;[,&lt;GSM Neighbor 5 dump&gt;[,&lt;GSM Neighbor 6 dump&gt;]]]]]]]</p> |
| 12 | <p>Timing Advance only</p> <p>2G products:</p> <p>+CSQ: &lt;rss&gt;,&lt;ber&gt;</p> <p>+CCED: &lt;Main Cell TA&gt;</p><br><p>3G products:</p> <p>+CSQ: &lt;rss&gt;,&lt;ber&gt;</p> <p>+CCED: &lt;AcT&gt;,&lt;Main Cell TA&gt;</p>                                                                                                                                                                                                                                                                                                                                                                                                 |

|    |                                                                                                                                                                                                                                                                                                                                                                                                                                                                                                                                                                                                                                                                                                                                                                            |
|----|----------------------------------------------------------------------------------------------------------------------------------------------------------------------------------------------------------------------------------------------------------------------------------------------------------------------------------------------------------------------------------------------------------------------------------------------------------------------------------------------------------------------------------------------------------------------------------------------------------------------------------------------------------------------------------------------------------------------------------------------------------------------------|
| 13 | <p>Main Cell, then Timing Advance</p> <p>2G products:</p> <p>+CSQ: &lt;rss&gt;,&lt;ber&gt;</p> <p>+CCED: &lt;Main Cell dump&gt;[,&lt;Main Cell TA&gt;]</p> <p>3G products:</p> <p>+CSQ: &lt;rss&gt;,&lt;ber&gt;</p> <p>+CCED: &lt;AcT&gt;,&lt;Main Cell dump&gt;[,&lt;Main Cell TA&gt;]</p>                                                                                                                                                                                                                                                                                                                                                                                                                                                                                |
| 14 | <p>GSM Neighbors 1 to 6, then Timing Advance</p> <p>2G products:</p> <p>+CSQ: &lt;rss&gt;,&lt;ber&gt;</p> <p>+CCED: &lt;GSM Neighbor 1 dump&gt;[,&lt;GSM Neighbor 2 dump&gt;[,&lt;GSM Neighbor 3 dump&gt;[,&lt;GSM Neighbor 4 dump&gt;[,&lt;GSM Neighbor 5 dump&gt;[,&lt;GSM Neighbor 6 dump&gt;]]]]],&lt;Main Cell TA&gt;]</p> <p>3G products:</p> <p>+CSQ: &lt;rss&gt;,&lt;ber&gt;</p> <p>+CCED: &lt;AcT&gt;,&lt;GSM Neighbor 1 dump&gt;[,&lt;GSM Neighbor 2 dump&gt;[,&lt;GSM Neighbor 3 dump&gt;[,&lt;GSM Neighbor 4 dump&gt;[,&lt;GSM Neighbor 5 dump&gt;[,&lt;GSM Neighbor 6 dump&gt;]]]]],&lt;Main Cell TA&gt;]</p>                                                                                                                                                 |
| 15 | <p>Main Cell, then Neighbors 1 to 6, then Timing Advance</p> <p>2G products:</p> <p>+CSQ: &lt;rss&gt;,&lt;ber&gt;</p> <p>+CCED: [&lt;Main Cell dump&gt;][[,]&lt;GSM Neighbor 1 dump&gt;[,&lt;GSM Neighbor 2 dump&gt;[,&lt;GSM Neighbor 3 dump&gt;[,&lt;GSM Neighbor 4 dump&gt;[,&lt;GSM Neighbor 5 dump&gt;[,&lt;GSM Neighbor 6 dump&gt;]]]]],&lt;Main Cell TA&gt;]</p>                                                                                                                                                                                                                                                                                                                                                                                                    |
| 16 | <p>&lt;requested dump&gt; 1 + &lt;requested dump&gt; 2 + &lt;requested dump&gt; 4 + Neighbor1 to Neighbor6 Timing Advance (only available for mode= 0)</p> <p>Neighbor1 to Neighbor6 Timing Advance are only available in IDLE mode.</p> <p>2G products:</p> <p>+CCED: [&lt;Main Cell dump&gt;][[,]&lt;GSM Neighbor 1 dump&gt;[,&lt;GSM Neighbor 2 dump&gt;[,&lt;GSM Neighbor 3 dump&gt;[,&lt;GSM Neighbor 4 dump&gt;[,&lt;GSM Neighbor 5 dump&gt;[,&lt;GSM Neighbor 6 dump&gt;]]]]],&lt;Main Cell TA&gt;][,&lt;Neighbor 1 TA&gt;][,&lt;Neighbor 2TA&gt;][,&lt;Neighbor 3 TA&gt;][,&lt;Neighbor 4 TA&gt;][,&lt;Neighbor 5 TA&gt;][,&lt;Neighbor 6 TA&gt;]</p> <hr/> <p><b><i>AirPrime SL808xT and Q2698 modules: This &lt;requested dump&gt; is not supported.</i></b></p> |
| 32 | <p>UTRAN Neighbor 1 to x (3G products only)</p> <p>+CCED: &lt;AcT&gt;,&lt;UTRAN Neighbor 1 dump&gt;[,&lt;UTRAN Neighbor 2 dump&gt;[,&lt;UTRAN Neighbor 3 dump&gt;[,&lt;UTRAN Neighbor 4 dump&gt;[,&lt;UTRAN Neighbor 5 dump&gt;[,&lt;UTRAN Neighbor 6 dump&gt;[,...]]]]]]]</p>                                                                                                                                                                                                                                                                                                                                                                                                                                                                                             |

|     |                                                                                                                                                                                                                                                                                                                                                                                                                                                                                                                                                                                                                                                                                                                  |
|-----|------------------------------------------------------------------------------------------------------------------------------------------------------------------------------------------------------------------------------------------------------------------------------------------------------------------------------------------------------------------------------------------------------------------------------------------------------------------------------------------------------------------------------------------------------------------------------------------------------------------------------------------------------------------------------------------------------------------|
| 33  | <p>Main Cell then UTRAN Neighbor 1 to x (3G products only)</p> <p>+CCED: &lt;AcT&gt;,&lt;Main Cell dump&gt;,&lt;UTRAN Neighbor 1 dump&gt;,&lt;UTRAN Neighbor 2 dump&gt;,&lt;UTRAN Neighbor 3 dump&gt;,&lt;UTRAN Neighbor 4 dump&gt;,&lt;UTRAN Neighbor 5 dump&gt;,&lt;UTRAN Neighbor 6 dump&gt;[,...]]]]]]</p>                                                                                                                                                                                                                                                                                                                                                                                                   |
| 34  | <p>GSM Neighbors 1 to 6 then UTRAN Neighbor 1 to x (3G products only)</p> <p>+CCED: &lt;AcT&gt;,&lt;GSM Neighbor 1 dump&gt;,&lt;GSM Neighbor 2 dump&gt;,&lt;GSM Neighbor 3 dump&gt;,&lt;GSM Neighbor 4 dump&gt;,&lt;GSM Neighbor 5 dump&gt;,&lt;GSM Neighbor 6 dump&gt;]]]]],&lt;UTRAN Neighbor 1 dump&gt;,&lt;UTRAN Neighbor 2 dump&gt;,&lt;UTRAN Neighbor 3 dump&gt;,&lt;UTRAN Neighbor 4 dump&gt;,&lt;UTRAN Neighbor 5 dump&gt;,&lt;UTRAN Neighbor 6 dump&gt;[,...]]]]]]</p>                                                                                                                                                                                                                                  |
| 35  | <p>Main Cell then GSM Neighbors 1 to 6 then UTRAN Neighbor 1 to x (3G products only)</p> <p>+CCED: &lt;AcT&gt;,&lt;Main Cell dump&gt;,&lt;GSM Neighbor 1 dump&gt;,&lt;GSM Neighbor 2 dump&gt;,&lt;GSM Neighbor 3 dump&gt;,&lt;GSM Neighbor 4 dump&gt;,&lt;GSM Neighbor 5 dump&gt;,&lt;GSM Neighbor 6 dump&gt;]]]]],&lt;UTRAN Neighbor 1 dump&gt;,&lt;UTRAN Neighbor 2 dump&gt;,&lt;UTRAN Neighbor 3 dump&gt;,&lt;UTRAN Neighbor 4 dump&gt;,&lt;UTRAN Neighbor 5 dump&gt;,&lt;UTRAN Neighbor 6 dump&gt;[,...]]]]]]</p>                                                                                                                                                                                            |
| 64  | <p>Active Set 1 to 6 (3G products only)</p> <p>+CCED: &lt;AcT&gt;,&lt;Active Set 1 dump&gt; [&lt;Active Set 2 dump&gt;,&lt;Active Set 3 dump&gt;,&lt;Active Set 4 dump&gt;,&lt;Active Set 5 dump&gt;,&lt;Active Set 6 dump&gt;]]]]]]</p>                                                                                                                                                                                                                                                                                                                                                                                                                                                                         |
| 65  | <p>Main Cell then Active Set 1 to 6 (3G products only)</p> <p>+CCED: &lt;AcT&gt;,&lt;Main Cell dump&gt;,&lt;Active Set 1 dump&gt;,&lt;Active Set 2 dump&gt;,&lt;Active Set 3 dump&gt;,&lt;Active Set 4 dump&gt;,&lt;Active Set 5 dump&gt;,&lt;Active Set 6 dump&gt;]]]]]]</p>                                                                                                                                                                                                                                                                                                                                                                                                                                    |
| 97  | <p>Main Cell then UTRAN Neighbors 1 to x then Active Set 1 to 6 (3G products only)</p> <p>+CCED: &lt;AcT&gt;,&lt;Main Cell dump&gt;,&lt;UTRAN Neighbor 1 dump&gt;,&lt;UTRAN Neighbor 2 dump&gt;,&lt;UTRAN Neighbor 3 dump&gt;,&lt;UTRAN Neighbor 4 dump&gt;,&lt;UTRAN Neighbor 5 dump&gt;,&lt;UTRAN Neighbor 6 dump&gt;[,...]]]]]]],&lt;Active Set 1 dump&gt;,&lt;Active Set 2 dump&gt;,&lt;Active Set 3 dump&gt;,&lt;Active Set 4 dump&gt;,&lt;Active Set 5 dump&gt;,&lt;Active Set 6 dump&gt;]]]]]]</p>                                                                                                                                                                                                        |
| 99  | <p>Main Cell then GSM Neighbors 1 to 6 then UTRAN Neighbors 1 to x then Active Set 1 to 6 (3G products only)</p> <p>+CCED: &lt;AcT&gt;,&lt;Main Cell dump&gt;,&lt;GSM Neighbor 1 dump&gt;,&lt;GSM Neighbor 2 dump&gt;,&lt;GSM Neighbor 3 dump&gt;,&lt;GSM Neighbor 4 dump&gt;,&lt;GSM Neighbor 5 dump&gt;,&lt;GSM Neighbor 6 dump&gt;]]]]],&lt;UTRAN Neighbor 1 dump&gt;,&lt;UTRAN Neighbor 2 dump&gt;,&lt;UTRAN Neighbor 3 dump&gt;,&lt;UTRAN Neighbor 4 dump&gt;,&lt;UTRAN Neighbor 5 dump&gt;,&lt;UTRAN Neighbor 6 dump&gt;[,...]]]]]]],&lt;Active Set 1 dump&gt;,&lt;Active Set 2 dump&gt;,&lt;Active Set 3 dump&gt;,&lt;Active Set 4 dump&gt;,&lt;Active Set 5 dump&gt;,&lt;Active Set 6 dump&gt;]]]]]]</p> |
| 128 | <p>Measurement Activities (3G products only)</p> <p>+CCED: &lt;AcT&gt;,&lt;MeasActiv bitmap&gt;</p>                                                                                                                                                                                                                                                                                                                                                                                                                                                                                                                                                                                                              |
| 129 | <p>Main Cell then Measurement Activities</p> <p>+CCED: &lt;AcT&gt;,&lt;Main Cell dump&gt;,&lt;MeasActiv bitmap&gt;</p>                                                                                                                                                                                                                                                                                                                                                                                                                                                                                                                                                                                           |

|                                                                                                                                                                                             |                                                                                                                                                                                                                                                                                                                                                                                                                                                                                                                                                                                                                                                                                                                                                                                                                                                                 |
|---------------------------------------------------------------------------------------------------------------------------------------------------------------------------------------------|-----------------------------------------------------------------------------------------------------------------------------------------------------------------------------------------------------------------------------------------------------------------------------------------------------------------------------------------------------------------------------------------------------------------------------------------------------------------------------------------------------------------------------------------------------------------------------------------------------------------------------------------------------------------------------------------------------------------------------------------------------------------------------------------------------------------------------------------------------------------|
| 161                                                                                                                                                                                         | <p>Main Cell then UTRAN Neighbors 1 to x then Measurement Activities (3G products only)</p> <p>+CCED: &lt;AcT&gt;,&lt;UTRAN Neighbor 1 dump&gt;[,&lt;UTRAN Neighbor 2 dump&gt;[,&lt;UTRAN Neighbor 3 dump&gt;[,&lt;UTRAN Neighbor 4 dump&gt;[,&lt;UTRAN Neighbor 5 dump&gt;[,&lt;UTRAN Neighbor 6 dump&gt;[,...]]]]],&lt;Main Cell dump&gt;,&lt;MeasActiv bitmap&gt;</p>                                                                                                                                                                                                                                                                                                                                                                                                                                                                                        |
| 193                                                                                                                                                                                         | <p>Main Cell then Active Set 1 to 6 then Measurement Activities (3G products only)</p> <p>+CCED: &lt;AcT&gt;,&lt;Main Cell dump&gt;,&lt;Active Set 1 dump&gt;[,&lt;Active Set 2 dump&gt;[,&lt;Active Set 3 dump&gt;[,&lt;Active Set 4 dump&gt;[,&lt;Active Set 5 dump&gt;[,&lt;Active Set 6 dump&gt;]]]]],&lt;MeasActiv bitmap&gt;</p>                                                                                                                                                                                                                                                                                                                                                                                                                                                                                                                          |
| 225                                                                                                                                                                                         | <p>Main Cell then UTRAN Neighbors 1 to x then Active Set 1 to 6 then Measurement Activities (3G products only)</p> <p>+CCED: &lt;AcT&gt;,&lt;Main Cell dump&gt;,&lt;UTRAN Neighbor 1 dump&gt;[,&lt;UTRAN Neighbor 2 dump&gt;[,&lt;UTRAN Neighbor 3 dump&gt;[,&lt;UTRAN Neighbor 4 dump&gt;[,&lt;UTRAN Neighbor 5 dump&gt;[,&lt;UTRAN Neighbor 6 dump&gt;[,...]]]]],&lt;Active Set 1 dump&gt;[,&lt;Active Set 2 dump&gt;[,&lt;Active Set 3 dump&gt;[,&lt;Active Set 4 dump&gt;[,&lt;Active Set 5 dump&gt;[,&lt;Active Set 6 dump&gt;]]]]],&lt;MeasActiv bitmap&gt;</p>                                                                                                                                                                                                                                                                                           |
| 239                                                                                                                                                                                         | <p>Main Cell then GSM Neighbor 1 to 6 then Timing Advance then UTRAN Neighbors 1 to x then Active Set 1 to 6 then Measurement Activities (3G products only)</p> <p>+CSQ: &lt;rssi&gt;,&lt;ber&gt;</p> <p>+CCED: &lt;AcT&gt;,&lt;Main Cell dump&gt;,&lt;GSM Neighbor 1 dump&gt;[,&lt;GSM Neighbor 2 dump&gt;[,&lt;GSM Neighbor 3 dump&gt;[,&lt;GSM Neighbor 4 dump&gt;[,&lt;GSM Neighbor 5 dump&gt;[,&lt;GSM Neighbor 6 dump&gt;]]]]],&lt;Main Cell TA&gt;,&lt;UTRAN Neighbor 1 dump&gt;[,&lt;UTRAN Neighbor 2 dump&gt;[,&lt;UTRAN Neighbor 3 dump&gt;[,&lt;UTRAN Neighbor 4 dump&gt;[,&lt;UTRAN Neighbor 5 dump&gt;[,&lt;UTRAN Neighbor 6 dump&gt;[,...]]]]],&lt;Active Set 1 dump&gt;[,&lt;Active Set 2 dump&gt;[,&lt;Active Set 3 dump&gt;[,&lt;Active Set 4 dump&gt;[,&lt;Active Set 5 dump&gt;[,&lt;Active Set 6 dump&gt;]]]]],&lt;MeasActiv bitmap&gt;</p> |
| <b>&lt;CsqStep&gt;:</b>                                                                                                                                                                     |                                                                                                                                                                                                                                                                                                                                                                                                                                                                                                                                                                                                                                                                                                                                                                                                                                                                 |
| <p>step required for the RSSI indications between two +CSQ unsolicited responses</p> <p>range: 1-5 (default value: 1)</p> <p>If not indicated, the previous value is taken into account</p> |                                                                                                                                                                                                                                                                                                                                                                                                                                                                                                                                                                                                                                                                                                                                                                                                                                                                 |
| <b>&lt;Extend&gt;</b>                                                                                                                                                                       |                                                                                                                                                                                                                                                                                                                                                                                                                                                                                                                                                                                                                                                                                                                                                                                                                                                                 |
| 0                                                                                                                                                                                           | <p>dump not extended (default value)</p>                                                                                                                                                                                                                                                                                                                                                                                                                                                                                                                                                                                                                                                                                                                                                                                                                        |
| 1                                                                                                                                                                                           | <p>dump extended</p> <p>Note: This parameter will be ignored when &lt;AcT&gt; = 2</p>                                                                                                                                                                                                                                                                                                                                                                                                                                                                                                                                                                                                                                                                                                                                                                           |
| <b>&lt;AcT&gt;:</b>                                                                                                                                                                         |                                                                                                                                                                                                                                                                                                                                                                                                                                                                                                                                                                                                                                                                                                                                                                                                                                                                 |
| <p>access technology of the registered network</p>                                                                                                                                          |                                                                                                                                                                                                                                                                                                                                                                                                                                                                                                                                                                                                                                                                                                                                                                                                                                                                 |
| 0                                                                                                                                                                                           | GSM                                                                                                                                                                                                                                                                                                                                                                                                                                                                                                                                                                                                                                                                                                                                                                                                                                                             |
| 2                                                                                                                                                                                           | UTRAN                                                                                                                                                                                                                                                                                                                                                                                                                                                                                                                                                                                                                                                                                                                                                                                                                                                           |

|                                     |                                                                                                                                                                                                                                                                                                                                                                                                                                                                                                                                                                                                                                                                                                                                                                                                                                                                                                                                                                                                                                                                                                                                                                                                                                                                                                                                                                                 |
|-------------------------------------|---------------------------------------------------------------------------------------------------------------------------------------------------------------------------------------------------------------------------------------------------------------------------------------------------------------------------------------------------------------------------------------------------------------------------------------------------------------------------------------------------------------------------------------------------------------------------------------------------------------------------------------------------------------------------------------------------------------------------------------------------------------------------------------------------------------------------------------------------------------------------------------------------------------------------------------------------------------------------------------------------------------------------------------------------------------------------------------------------------------------------------------------------------------------------------------------------------------------------------------------------------------------------------------------------------------------------------------------------------------------------------|
| <b>&lt;Main Cell dump&gt;:</b>      | <p>This parameter gathers the following parameters for the Main Cell parameters.</p> <p>For &lt;AcT&gt;=0</p> <p>Not extended dump (&lt;Extend&gt; equals 0):</p> <p>[&lt;MCC&gt;],[&lt;MNC&gt;],[&lt;LAC&gt;],[&lt;CI&gt;],[&lt;BSIC&gt;],[&lt;BCCH Freq&gt;],[&lt;RxLev&gt;],[&lt;RxLev Full&gt;],[&lt;RxLev Sub&gt;],[&lt;RxQual&gt;],[&lt;RxQual Full&gt;],[&lt;RxQual Sub&gt;],[&lt;Idle TS&gt;]</p> <p>Extended dump (&lt;Extend&gt; equals 1):</p> <p>[&lt;MCC&gt;],[&lt;MNC&gt;],[&lt;LAC&gt;],[&lt;CI&gt;],[&lt;BSIC&gt;],[&lt;BCCH Freq&gt;],[&lt;RxLev&gt;],[&lt;RxLev Full&gt;],[&lt;RxLev Sub&gt;],[&lt;RxQual&gt;],[&lt;RxQual Full&gt;],[&lt;RxQual Sub&gt;],[&lt;Idle TS&gt;],[&lt;C1&gt;],[&lt;C2&gt;],[&lt;MsTxPwrMaxCch&gt;]</p> <hr/> <p><b>AirPrime SL808xT and Q2698 modules:</b> [&lt;RxLevFull&gt;],[&lt;RxLev Sub&gt;],[&lt;RxQual&gt;],[&lt;RxQual Full&gt;],[&lt;RxQual Sub&gt;],[&lt;Idle TS&gt;],[&lt;MsTxPwrMaxCch&gt;] are not available.</p> <hr/> <p>For &lt;AcT&gt;=2</p> <p>[&lt;MCC&gt;],[&lt;MNC&gt;],[&lt;LAC&gt;],[&lt;CI&gt;],[&lt;RSCP&gt;],[&lt;EcNo&gt;],[&lt;Scrambling Code&gt;],[&lt;UARFCN&gt;],[&lt;R&gt;],[&lt;R2&gt;],[&lt;H&gt;],[&lt;Squal&gt;],[&lt;Srxlev&gt;]</p> <hr/> <p><b>AirPrime SL808xT and Q2698 modules:</b> [&lt;R&gt;],[&lt;R2&gt;],[&lt;H&gt;],[&lt;Squal&gt;],[&lt;Srxlev&gt;] are not available.</p> <hr/> |
| <b>&lt;GSM Neighbor x dump&gt;:</b> | <p>This parameter gathers the following parameters for the Neighbor Cells parameters.</p> <p>Not extended dump (&lt;Extend&gt; equals 0):</p> <p>[&lt;MCC&gt;],[&lt;MNC&gt;],[&lt;LAC&gt;],[&lt;CI&gt;],[&lt;BSIC&gt;],[&lt;BCCH Freq&gt;],[&lt;RxLev&gt;],[&lt;R&gt;],[&lt;R2&gt;],[&lt;H&gt;],[&lt;Squal&gt;],[&lt;Srxlev&gt;]</p> <p>Extended dump (&lt;Extend&gt; equals 1):</p> <p>[&lt;MCC&gt;],[&lt;MNC&gt;],[&lt;LAC&gt;],[&lt;CI&gt;],[&lt;BSIC&gt;],[&lt;BCCH Freq&gt;],[&lt;RxLev&gt;],[&lt;C1&gt;],[&lt;C2&gt;],[&lt;MsTxPwrMaxCch&gt;],[&lt;R&gt;],[&lt;R2&gt;],[&lt;H&gt;],[&lt;Squal&gt;],[&lt;Srxlev&gt;]</p> <p>x is between 1 and 6</p> <hr/> <p><b>AirPrime SL808xT and Q2698 modules:</b> [&lt;R&gt;],[&lt;R2&gt;],[&lt;H&gt;],[&lt;Squal&gt;],[&lt;Srxlev&gt;],[&lt;LAC&gt;] are not available.</p> <hr/>                                                                                                                                                                                                                                                                                                                                                                                                                                                                                                                                                  |
| <b>&lt;Neighbor x TA&gt;:</b>       | <p>This parameter gathers the following parameters for the UTRAN Neighbor Cells parameters.</p> <p>[&lt;MCC&gt;],[&lt;MNC&gt;],[&lt;RSCP&gt;],[&lt;EcNo&gt;],[&lt;Scrambling Code&gt;],[&lt;UARFCN&gt;],[&lt;R&gt;],[&lt;R2&gt;],[&lt;H&gt;],[&lt;Squal&gt;],[&lt;Srxlev&gt;]</p> <p>X is a set of candidate cells for cell reselection (between 1 to 64)</p> <hr/> <p><b>AirPrime SL808xT and Q2698 modules:</b> [&lt;R&gt;],[&lt;R2&gt;],[&lt;H&gt;],[&lt;Squal&gt;],[&lt;Srxlev&gt;],[&lt;LAC&gt;] are not available.</p> <hr/>                                                                                                                                                                                                                                                                                                                                                                                                                                                                                                                                                                                                                                                                                                                                                                                                                                              |

|                               |                                                                                                                                                                                                                                                                                                                                                                                                                                                                                                                                                                                                                                                                                                                                                                                                                                                      |   |                  |   |                      |   |                      |      |                     |    |                    |    |                     |
|-------------------------------|------------------------------------------------------------------------------------------------------------------------------------------------------------------------------------------------------------------------------------------------------------------------------------------------------------------------------------------------------------------------------------------------------------------------------------------------------------------------------------------------------------------------------------------------------------------------------------------------------------------------------------------------------------------------------------------------------------------------------------------------------------------------------------------------------------------------------------------------------|---|------------------|---|----------------------|---|----------------------|------|---------------------|----|--------------------|----|---------------------|
| <b>&lt;Neighbor x TA&gt;:</b> | Neighbor cell Timing Advance ( for 2G products only)<br>neighbors timing Advance are not available in dedicated mode.<br>x is between 1 and 6<br><br><b><u>AirPrime SL808xT and Q2698 modules:</u></b> Neighbor cell timing advance is not available.                                                                                                                                                                                                                                                                                                                                                                                                                                                                                                                                                                                                |   |                  |   |                      |   |                      |      |                     |    |                    |    |                     |
| <b>&lt;MCC&gt;:</b>           | Mobile Country Code<br>3 digits                                                                                                                                                                                                                                                                                                                                                                                                                                                                                                                                                                                                                                                                                                                                                                                                                      |   |                  |   |                      |   |                      |      |                     |    |                    |    |                     |
| <b>&lt;MNC&gt;:</b>           | Mobile Network Code<br>2 or 3 digits                                                                                                                                                                                                                                                                                                                                                                                                                                                                                                                                                                                                                                                                                                                                                                                                                 |   |                  |   |                      |   |                      |      |                     |    |                    |    |                     |
| <b>&lt;LAC&gt;:</b>           | Location Area Code<br>string type; two byte location area code in hexadecimal format (e.g. "00C3" equals 195 in decimal)                                                                                                                                                                                                                                                                                                                                                                                                                                                                                                                                                                                                                                                                                                                             |   |                  |   |                      |   |                      |      |                     |    |                    |    |                     |
| <b>&lt;CI&gt; :</b>           | Cell Id<br>string type<br>Two bytes in hexadecimal forma<br>If the Cell Id is not available, this parameter is omitted.                                                                                                                                                                                                                                                                                                                                                                                                                                                                                                                                                                                                                                                                                                                              |   |                  |   |                      |   |                      |      |                     |    |                    |    |                     |
| <b>&lt;BSIC&gt;:</b>          | Base Station Identity Code                                                                                                                                                                                                                                                                                                                                                                                                                                                                                                                                                                                                                                                                                                                                                                                                                           |   |                  |   |                      |   |                      |      |                     |    |                    |    |                     |
| <b>&lt;BCCH Freq&gt;:</b>     | Broadcast Control CHannel Freq absolute<br>The range depends of the selected band:<br>P900 range: 1-124<br>E900 range: 1-124, 975-1023 and 0 for 1024<br>850 range: 128-251<br>DCS1800 range: 512-885<br>PCS1900 range:<br>512-810 for embedded modules that are not configured in autoquadband (see the <a href="#">+WMBS</a> command description)<br>1536-1834 for embedded modules that are configured in autoquadband (see <a href="#">+WMBS</a> command description). This is made to distinguish DCS and PCS absolute frequency in autoquadband.                                                                                                                                                                                                                                                                                               |   |                  |   |                      |   |                      |      |                     |    |                    |    |                     |
| <b>&lt;RxLev&gt;:</b>         | RSSI level on BCCH channel, in idle mode. This parameter is empty in dedicated mode.<br><table border="1" style="width: 100%; border-collapse: collapse;"> <tr> <td style="width: 10%; text-align: center;">0</td> <td style="text-align: center;">-110 dBm or less</td> </tr> <tr> <td style="text-align: center;">1</td> <td style="text-align: center;">-110 dBm to -109 dBm</td> </tr> <tr> <td style="text-align: center;">2</td> <td style="text-align: center;">-109 dBm to -108 dBm</td> </tr> <tr> <td style="text-align: center;">3-63</td> <td style="text-align: center;">-108 dBm to -49 dBm</td> </tr> <tr> <td style="text-align: center;">62</td> <td style="text-align: center;">-49 dBm to -48 dBm</td> </tr> <tr> <td style="text-align: center;">63</td> <td style="text-align: center;">-48 dBm and greater</td> </tr> </table> | 0 | -110 dBm or less | 1 | -110 dBm to -109 dBm | 2 | -109 dBm to -108 dBm | 3-63 | -108 dBm to -49 dBm | 62 | -49 dBm to -48 dBm | 63 | -48 dBm and greater |
| 0                             | -110 dBm or less                                                                                                                                                                                                                                                                                                                                                                                                                                                                                                                                                                                                                                                                                                                                                                                                                                     |   |                  |   |                      |   |                      |      |                     |    |                    |    |                     |
| 1                             | -110 dBm to -109 dBm                                                                                                                                                                                                                                                                                                                                                                                                                                                                                                                                                                                                                                                                                                                                                                                                                                 |   |                  |   |                      |   |                      |      |                     |    |                    |    |                     |
| 2                             | -109 dBm to -108 dBm                                                                                                                                                                                                                                                                                                                                                                                                                                                                                                                                                                                                                                                                                                                                                                                                                                 |   |                  |   |                      |   |                      |      |                     |    |                    |    |                     |
| 3-63                          | -108 dBm to -49 dBm                                                                                                                                                                                                                                                                                                                                                                                                                                                                                                                                                                                                                                                                                                                                                                                                                                  |   |                  |   |                      |   |                      |      |                     |    |                    |    |                     |
| 62                            | -49 dBm to -48 dBm                                                                                                                                                                                                                                                                                                                                                                                                                                                                                                                                                                                                                                                                                                                                                                                                                                   |   |                  |   |                      |   |                      |      |                     |    |                    |    |                     |
| 63                            | -48 dBm and greater                                                                                                                                                                                                                                                                                                                                                                                                                                                                                                                                                                                                                                                                                                                                                                                                                                  |   |                  |   |                      |   |                      |      |                     |    |                    |    |                     |



|                                   |                                                                                                                                                                                                                                                           |
|-----------------------------------|-----------------------------------------------------------------------------------------------------------------------------------------------------------------------------------------------------------------------------------------------------------|
| <b>&lt;RxLev Full&gt;:</b>        | RSSI level on all TCH channel, in dedicated mode                                                                                                                                                                                                          |
| <b>&lt;RxLev Sub&gt;:</b>         | RSSI level on a subset of TCH channel, in dedicated mode                                                                                                                                                                                                  |
| <b>&lt;RxQual&gt;:</b>            | signal quality on BCCH channel, in idle mode                                                                                                                                                                                                              |
| <b>&lt;RxQual Full&gt;:</b>       | signal quality on all TCH channel, in dedicated mode                                                                                                                                                                                                      |
| <b>&lt;RxQual Sub&gt;:</b>        | signal quality on a subset of TCH channel, in dedicated mode                                                                                                                                                                                              |
| <b>&lt;Idle TS&gt;:</b>           | Time Slot                                                                                                                                                                                                                                                 |
| <b>&lt;C1&gt;:</b>                | Cell selection criteria. Only available in IDLE mode.                                                                                                                                                                                                     |
| <b>&lt;C2&gt;:</b>                | GSM cell reselection criteria. Only available in IDLE mode.                                                                                                                                                                                               |
| <b>MsTxPwrMaxCcch</b>             | Power control level. The maximum TX power level, an MS may use when accessing on a Control Channel CCH. Range: 0 to 31<br><br>Only available in IDLE mode.                                                                                                |
| <b>&lt;RSCP&gt;:</b>              | Received Signal Code Power<br><br>The power level in one chip                                                                                                                                                                                             |
| <b>&lt;EcNo&gt;:</b>              | Ratio of energy per modulating bit to the noise spectral density<br><br>This is the cell quality and is equal to RSCP/RSSI                                                                                                                                |
| <b>&lt;Scrambling code&gt;:</b>   | The downlink scrambling code of the serving cell for 3G network only                                                                                                                                                                                      |
|                                   | 0-511 Scrambling code of the serving cell<br>Integer type                                                                                                                                                                                                 |
| <b>&lt;UARFCN&gt;:</b>            | UTRA absolute radio Frequency channel number                                                                                                                                                                                                              |
| <b>&lt;R&gt;:</b>                 | ranking criteria for all types of cells (UTRA or GSM, based on RSCP (3G cells) or RSSI (2G cells))<br><br>only significant when <AcT> = 2                                                                                                                 |
| <b>&lt;R2&gt;:</b>                | ranking criteria for UTRA cells only (based on EcNo)<br><br>only significant when <AcT> = 2                                                                                                                                                               |
| <b>&lt;H&gt;:</b>                 | ranking criteria when HCS is used.<br><br>only significant when <AcT> = 2                                                                                                                                                                                 |
| <b>&lt;Squal&gt;:</b>             | S criteria - Cell selection quality value (dB)<br><br>only significant when <AcT> = 2                                                                                                                                                                     |
| <b>&lt;Srxlev&gt;:</b>            | S criteria – Cell selection RX level value (dB)<br><br>only significant when <AcT> = 2                                                                                                                                                                    |
| <b>&lt;Active Set x dump&gt;:</b> | In dedicated mode, the set of radio links assigned to the UE such that there will be no more breaks of radio link when the UE is moving from cell to cell (soft handover). This parameter gathers the following parameters for the Active Set parameters: |

|                                  |         |                                                                                                                                      |
|----------------------------------|---------|--------------------------------------------------------------------------------------------------------------------------------------|
|                                  |         | <Scrambling Code>,<Rscp><br>x is between 1 and 6<br>AirPrime SL808xT and Q2698 modules: Active set dump is not available             |
| <b>&lt;MeasActiv bitmap&gt;:</b> |         | This parameter gathers the Intra frequencies, Inter frequencies, and GSM measurement activities (bitwise)                            |
| Bit 0                            | 0       | GSM measurement inactive (OFF)                                                                                                       |
|                                  | 1       | GSM measurement active (ON)                                                                                                          |
| Bit 1                            | 0       | UTRAN Intra frequencies measurement inactive (OFF)                                                                                   |
|                                  | 1       | UTRAN Intra frequencies measurement active (ON)                                                                                      |
| Bit 2                            | 0       | UTRAN Inter frequencies measurement inactive (OFF)                                                                                   |
|                                  | 1       | UTRAN Inter frequencies measurement active (ON)                                                                                      |
| <b>&lt;Main Cell TA&gt;:</b>     |         | Main Cell Timing Advance (significant only when <AcT>=0)<br><u>AirPrime SL808xT and Q2698 modules: Main Cell TA is not available</u> |
| <b>&lt;rssi&gt;:</b>             |         | received signal strength                                                                                                             |
|                                  | 0       | -113 dBm or less                                                                                                                     |
|                                  | 1       | -111 dBm                                                                                                                             |
|                                  | 2 to 30 | -109 to -53 dBm                                                                                                                      |
|                                  | 31      | -51dBm or greater                                                                                                                    |
|                                  | 99      | not known or not detectable                                                                                                          |
| <b>&lt;ber&gt;:</b>              |         | channel bit error rate<br>This parameter is not evaluated using +CCED command.                                                       |
|                                  | 99      | not known or not detectable                                                                                                          |

Note: [For more details about parameters, please refer to 3GPP 05.02 Radio Transmission and Reception \[7\].](#)

### 11.3.4. Parameter Storage

None

### 11.3.5. Examples

| Command                                                                           | Responses                                                                                                                                                                                                                                                                                                                                                                                                                                                                                                                                                            |
|-----------------------------------------------------------------------------------|----------------------------------------------------------------------------------------------------------------------------------------------------------------------------------------------------------------------------------------------------------------------------------------------------------------------------------------------------------------------------------------------------------------------------------------------------------------------------------------------------------------------------------------------------------------------|
| <p><b>AT+CCED=0,3</b><br/><i>Note: Request main cell and neighbors 1 to 6</i></p> | <p><u>For 2G products</u><br/>+CCED:<br/>454,06,008c,6704,10,62,48,,,0,,,0,454,06,008c,,4,93,15<br/>,454,06,008c,,3,670,11,454,06,008c,,2,691,8,454,06,008<br/>c,7e1b,34,665,6,454,06,008c,,8,700,9,454,06,008c,62cd,<br/>13,90,8<br/><br/>OK</p> <p><u>For 3G products</u><br/>+CCED: 2,454,06,20d0,00048329,-95,-<br/>10,211,10737,0,0,0,0,0,454,06,0000,,5,26112,0,454,06,0<br/>000,,10,15872,0,454,06,0000,,8,48130,0,454,06,0000,,8,<br/>27392,0,454,06,0000,,2,28160,0,454,06,0000,,1,29696,0,<br/>454,06,0000,,2,42498,0<br/><br/>OK</p>                      |
| <p><b>AT+CCED=0</b><br/><i>Note: Repeat last request</i></p>                      | <p><u>For 2G products</u><br/>at+cced=0,3<br/><br/>+CCED:<br/>454,06,008c,6704,10,62,48,,,0,,,0,454,06,008c,,4,93,15<br/>,454,06,008c,,3,670,11,454,06,008c,,2,691,8,454,06,008<br/>c,7e1b,34,665,6,454,06,008c,,8,700,9,454,06,008c,62cd,<br/>13,90,8<br/><br/>OK</p> <p><u>For 3G products</u><br/>+CCED: 2,454,06,20d0,00048329,-95,-<br/>10,211,10737,0,0,0,0,0,454,06,0000,,5,26112,0,454,06,0<br/>000,,10,15872,0,454,06,0000,,8,48130,0,454,06,0000,,8,<br/>27392,0,454,06,0000,,2,28160,0,454,06,0000,,1,29696,0,<br/>454,06,0000,,2,42498,0<br/><br/>OK</p> |
| <p><b>AT+CCED=0,1</b><br/><i>Note: Only main cell request</i></p>                 | <p><u>For 2G products</u><br/>+CCED: 454,06,008c,6704,10,62,46,,,0,,,0<br/><br/>OK</p> <p><u>For 3G products</u><br/>+CCED: 2,454,06,20d0,00048329,-96,-<br/>6,211,10737,0,0,0,0,0<br/><br/>OK</p>                                                                                                                                                                                                                                                                                                                                                                   |

| Command                                                                                                                                  | Responses                                                                                                                                                                                                                                              |
|------------------------------------------------------------------------------------------------------------------------------------------|--------------------------------------------------------------------------------------------------------------------------------------------------------------------------------------------------------------------------------------------------------|
| <b>AT+CCED=0,1,,1</b><br><i>Note: Only main cell request</i>                                                                             | <u>For 2G products</u><br>+CCED: 454,06,008c,6704,10,62,45,,,0,,,0,45,45,5<br>OK<br><br><u>For 3G products</u><br>+CCED: 2,454,06,20d0,00048329,-97,-<br>10,211,10737,0,0,0,0,0<br>OK                                                                  |
| <b>AT+CCED=0,1</b><br><i>Note: Call in progress:RXLev and RXQual are empty, RxLevFull, RxLevSub, RxQualFull and RxQualSub have data.</i> | <u>For 2G products</u><br>+CCED: 454,06,008c,6704,10,62,,41,42,,0,0,<br>OK<br><u>For 3G products</u><br>+CCED: 2,000,000,0000,0,0,0,0,0,0,0,0,0<br>OK<br><i>Note: For 3G products, the response of +CCED on main cell is invalid in dedicated mode</i> |
| <b>AT+CCED=1,8,1</b><br><i>Note: Request +CSQ response when the &lt;rss&gt; is changed (step = 1)</i>                                    | <u>For 2G products</u><br>OK<br>+CSQ: 25,99<br>+CSQ: 26,99<br>+CSQ: 25,99<br>+CSQ: 26,99<br>+CSQ: 25,99<br><br><u>For 3G products</u><br>OK<br>+CSQ: 8,99<br>+CSQ: 6,99<br>+CSQ: 8,99<br>+CSQ: 6,99<br>+CSQ: 8,99                                      |
| <b>AT+CCED=0,16</b><br><i>Note: idle mode</i>                                                                                            | <u>For 2G products</u><br>+CCED:<br>454,06,008c,6704,10,62,,,255,,,0,454,06,008c,65eb,4,9<br>3,15,454,06,008c,,3,670,11,454,06,008c,8503,2,691,9,45<br>4,06,008c,8504,8,700,9,2,2,2,2,2<br>OK                                                          |

| Command                                                                                | Responses                                                                                                                                                                                                                                                                                                                                                                                                                                                                                                                                                                                   |
|----------------------------------------------------------------------------------------|---------------------------------------------------------------------------------------------------------------------------------------------------------------------------------------------------------------------------------------------------------------------------------------------------------------------------------------------------------------------------------------------------------------------------------------------------------------------------------------------------------------------------------------------------------------------------------------------|
| <b>AT+CCED=0,16</b><br><br><i>Note: Dedicated mode</i>                                 | <u>For 2G products</u><br><br>+CCED:<br>454,06,008c,6704,10,62,,40,39,,0,0,,,,,4,93,15,,,,,8,<br>700,10,,,,,3,670,11,,,,,2,691,8,1,,,,<br><br>OK                                                                                                                                                                                                                                                                                                                                                                                                                                            |
| <b>AT+CCED=0,129</b><br><br><i>Note: Request Main Cell then Measurement Activities</i> | <u>For 2G products</u><br><br>+CME ERROR: 3<br><br><u>For 3G products</u><br><br>+CCED: 2,454,06,20d0,00048329,-97,-<br>11,211,10737,0,0,0,0,0,0<br><br>OK                                                                                                                                                                                                                                                                                                                                                                                                                                  |
| <b>AT+CCED=0,3</b>                                                                     | <u>For 2G products</u><br><br>+CCED:<br>454,06,008c,6704,10,62,48,,,0,,,0,454,06,008c,,4,93,15<br>,454,06,008c,,3,670,11,454,06,008c,,2,691,8,454,06,008<br>c,7e1b,34,665,6,454,06,008c,,8,700,9,454,06,008c,62cd,<br>13,90,8<br><br>OK<br><br><u>For 3G products</u><br><br>+CCED:<br>0,454,06,008c,00006704,0,15872,48,,,0,,,0,454,06,0000,<br>,0,23808,22,454,06,008c,,8,48130,18,454,06,008c,,2,458<br>26,15,454,06,008c,,0,23040,15,454,06,0000,,0,23552,13,<br>454,06,008c,,3,40450,7<br><br>OK<br><br><i>Note: &lt;Act&gt;=0, the 3G product is registering to GSM (2G) network,</i> |
| <b>AT+CCED=0,32</b>                                                                    | <u>For 2G products</u><br><br>+CME ERROR: 3<br><br><u>For 3G products</u><br><br>+CME ERROR: 30<br><br><i>Note: The 3G product is registering to GSM (2G) network, UTRAN parameters are not available.</i>                                                                                                                                                                                                                                                                                                                                                                                  |

*Note: Whenever the commands 'AT+CCED=0,15' or 'AT+CCED=0,16' are issued, '+CME ERROR: 30' is observed.*

### **11.3.6. Notes**

When automatic shots are selected, +CSQ responses are sent whenever the <rssI> difference measured by the product is equal to or greater than the <CsqStep> value. So, the <rssI> level between successive +CSQ responses are equal to or greater than <CsqStep>.

Automatic shots are supported in idle mode and during communication.

Values of MCC/MNC are set to 0 in the case of "No service".

---

*Note: Mode 16 is not supported for AirPrime SL808xT and Q2698 embedded modules.*

---

## 11.4. Sierra Wireless Multi-band Selection Command +WMBS



### 11.4.1. Description

This Sierra Wireless proprietary command selects the GSM bands on which the embedded module has to operate. This command is allowed only if the selected bands are supported (please refer to +WFM command). The user can choose if the change is immediate or not:

- either the embedded module has to be reset to take this change into account (this is the default case)
- or the GSM stack restarts immediately on the specified band(s). In this mode, the command +WMBS is forbidden during the initialization phase of the embedded module and during calls.

### 11.4.2. Syntax

#### *Action command*

```
AT+WMBS=<Band>[,<Param>]
```

```
OK
```

#### *Read command*

```
AT+WMBS?
```

```
+WMBS: <Band>,<ResetFlag>
```

```
OK
```

#### *Test command*

```
AT+WMBS=?
```

```
+WMBS: (list of supported <Band>s),(list of supported <Param>s)
```

```
OK
```

### 11.4.3. Parameters and Defined Values

|                           |                                                                                                                                                                                                              |
|---------------------------|--------------------------------------------------------------------------------------------------------------------------------------------------------------------------------------------------------------|
| <b>&lt;Band&gt;:</b>      | band frequency configuration                                                                                                                                                                                 |
| 0                         | mono-band mode 850 MHz                                                                                                                                                                                       |
| 1                         | mono-band mode 900 extended MHz (900E)                                                                                                                                                                       |
| 2                         | mono-band mode 1800 MHz                                                                                                                                                                                      |
| 3                         | mono-band mode 1900 MHz                                                                                                                                                                                      |
| 4                         | dual-band mode 850/1900 MHz                                                                                                                                                                                  |
| 5                         | dual-band mode 900E (extended) / 1800 MHz                                                                                                                                                                    |
| 6                         | dual-band mode 900E (extended) / 1900 MHz                                                                                                                                                                    |
| 7                         | quad-band mode 850/900E (extended)/1800/1900 MHz                                                                                                                                                             |
| <b>&lt;Param&gt;:</b>     | type of change                                                                                                                                                                                               |
| 0                         | the embedded module will have to be reset to start on specified band(s)<br><ResetFlag> is set to 1<br>default value if omitted                                                                               |
| 1                         | the change is effective immediately: the GSM stack is restarted with specified band(s)<br><ResetFlag> is set to 0<br>this mode is forbidden while in communication and during embedded module initialization |
| <b>&lt;ResetFlag&gt;:</b> | reset flag                                                                                                                                                                                                   |
| 0                         | the feature was not modified since the last boot of the product                                                                                                                                              |
| 1                         | the feature has been modified since the last boot of the product: it has to be reset in order to take the modification into account                                                                          |

### 11.4.4. Parameter Storage

The <Band> parameter is stored without using AT&W command.



### 11.4.5. Examples

| Command     | Responses                                                                                              |
|-------------|--------------------------------------------------------------------------------------------------------|
| AT+WMBS=?   | +WMBS: (0,1,2,3,4,5,6,7), (0-1)<br>OK<br><i>Note: All bands are available</i>                          |
| AT+WMBS=0   | OK                                                                                                     |
| AT+WMBS?    | +WMBS: 0,1<br>OK<br><i>Note: Embedded module has to be reset for change to be effective.</i>           |
| AT+WMBS=1,1 | OK                                                                                                     |
| AT+WMBS?    | +WMBS: 1,0<br>OK<br><i>Note: Embedded module does not have to be reset for change to be effective.</i> |
| AT+WMBS=5,1 | OK<br><i>Note: Embedded module does not have to be reset for change to be effective.</i>               |
| AT+WMBS=7,1 | OK<br><i>Note: Launch the autoquadband.</i>                                                            |
| AT+WMBS?    | +WMBS: 7,0<br>OK<br><i>Note: Embedded module does not have to be reset for change to be effective</i>  |

### 11.4.6. Notes

To deactivate the autoquadband, AT+WMBS=<Band>,<ResetFlag> with <Band> other than 7 should be sent to the embedded module.

## 11.5. Registration control +WREGC



### 11.5.1. Description

This Sierra Wireless proprietary command is used by the application to disable GSM and GPRS registration and deregistration procedures on the network. If the registration/deregistration procedure is disabled, the embedded module does not perform the procedure but considers itself as attached/detached on the network. The command +WREGC therefore has no impact on the response to AT+CREG?.

After the +WREGC mode is set to 1 (AT+WREGC=1), the embedded module enters the Spy Mode immediately. During the Spy Mode, MS is in IMSI detached state, for both GSM and GPRS, but keeps monitoring serving cell and all surrounding cells; only emergency call is allowed. Nevertheless, network registration can be achieved manually in a very short time (less than 1 second in most of the cases) once the Spy Mode is deactivated by the command AT+WREGC=0.

### 11.5.2. Syntax

#### Action command

```
AT+WREGC=<mode>
```

```
OK
```

#### Read command

```
AT+WREGC?
```

```
+WREGC: <mode>
```

```
OK
```

#### Test command

```
AT+WREGC=?
```

```
+WREGC: (list of supported <mode>s)
```

```
OK
```

### 11.5.3. Parameters and Defined Values

|                      |                                                                    |
|----------------------|--------------------------------------------------------------------|
| <b>&lt;mode&gt;:</b> | registration control mode                                          |
| 0                    | all registrations enabled (default value); Spy Mode is deactivated |
| 1                    | The Spy mode is activated (GSM/GPRS registration disabled)         |
| 2                    | power down deregistration disabled                                 |
| 3                    | power up registration and power down deregistration disabled       |

### 11.5.4. Parameter Storage

The <mode> parameter is stored in EEPROM without using the AT&W command. The default value can be restored using AT&F.

### 11.5.5. Examples

| Command                                              | Responses                                                                                            |
|------------------------------------------------------|------------------------------------------------------------------------------------------------------|
| AT+WREGC=?                                           | +WREGC: (0-3)<br>OK                                                                                  |
| AT+WREGC=0<br><i>Note: All registrations enabled</i> | OK                                                                                                   |
| AT+WREGC?                                            | +WREGC: 0<br>OK<br><i>Note: All registrations enabled (Spy Mode deactivated)</i>                     |
| AT+WREGC=1                                           | OK                                                                                                   |
| AT+CREG?                                             | +CREG: 2<br>+CREG: 1, 2<br>OK<br><i>Note: Spy Mode is entered immediately (emergency calls only)</i> |
| AT+COPS=0                                            | OK                                                                                                   |
| AT+CREG?                                             | +CREG: 1, 2<br>OK<br><i>Note: Embedded module is not registered as Spy Mode is in active</i>         |
| AT+WREGC=0                                           | OK                                                                                                   |

| Command      | Responses                                                                                                                                                                                                                        |
|--------------|----------------------------------------------------------------------------------------------------------------------------------------------------------------------------------------------------------------------------------|
| AT+CREG?     | +CREG: 1<br>+CREG: 1,1<br>OK<br><i>Note: Spy Mode is deactivated immediately (full services are available)</i>                                                                                                                   |
| AT+WREGC=1   | OK<br>+CREG: 2                                                                                                                                                                                                                   |
| AT+WGPRS=0,0 | OK                                                                                                                                                                                                                               |
| AT+CFUN=1    | OK<br>+WIND: 3<br>+WIND: 1<br>+CREG: 2<br>+WIND: 7<br>+CGREG: 2<br>+WIND: 4<br><i>Note: Setting GPRS auto attachment is allowed even if Spy Mode is activated. But GPRS auto attachment will not be performed after restart.</i> |
| AT+WREGC=0   | OK<br>+CREG: 1<br>+CGREG: 1                                                                                                                                                                                                      |
| AT+CFUN=1    | OK<br>+WIND: 3<br>+WIND: 1<br>+CREG: 2<br>+WIND: 7<br>+CREG: 1<br>+CGREG: 1<br>+WIND: 4<br><i>Note: When Spy Mode is deactivated, GPRS/GPRS registration will be performed immediately.</i>                                      |
| AT+WREGC=0   | OK                                                                                                                                                                                                                               |
| AT+CGATT=1   | OK<br>+CGREG: 1                                                                                                                                                                                                                  |
| AT+WREGC=1   | OK                                                                                                                                                                                                                               |

| Command         | Responses                                                                                                                                                                                        |
|-----------------|--------------------------------------------------------------------------------------------------------------------------------------------------------------------------------------------------|
| AT+CGATT=1      | +CGREG: 0<br>+CREG: 2<br>+CME ERROR: 148<br>+CGREG: 2<br><i>Note: When Spy Mode is activated, GPRS attach failed.</i>                                                                            |
| AT+CGCLASS?     | +CGCLASS: "B"<br>OK                                                                                                                                                                              |
| AT+WREGC=0      | OK<br>+CREG: 1<br>+CGREG: 1                                                                                                                                                                      |
| AT+CGCLASS="CG" | OK<br>+WIND: 8<br>+CREG: 0                                                                                                                                                                       |
| AT+CGCLASS?     | +CGCLASS: "CG"<br>OK                                                                                                                                                                             |
| AT+WREGC=1      | OK<br>+CGREG: 0                                                                                                                                                                                  |
| AT+CGCLASS="B"  | OK<br>+WIND: 7<br>+CREG: 2<br><i>Note: When Spy Mode is activated, CGCLASS can still be set but the embedded module will not perform network registration according to the selected CGCLASS.</i> |
| AT+WREGC=0      | OK<br>+CREG: 1<br>+CGREG: 1<br><i>Note: Once the Spy Mode is deactivated, CGCLASS change is performed, the embedded module, registered in the network according to the CGCLASS is selected.</i>  |
| AT+WREGC?       | +WREGC: 0<br>OK                                                                                                                                                                                  |
| AT+WREGC=2      | OK                                                                                                                                                                                               |
| AT+WREGC=1      | +CME ERROR: 3<br><i>Note: Spy Mode cannot be activated when the current &lt;mode&gt; is 2 or 3</i>                                                                                               |
| AT+WREGC=0      | OK                                                                                                                                                                                               |

| Command    | Responses                                                                                  |
|------------|--------------------------------------------------------------------------------------------|
| AT+WREGC=1 | OK<br>+CREG: 2<br><i>Note: Spy Mode is activated.</i>                                      |
| AT+WREGC=3 | +CME ERROR: 3<br><i>Note: &lt;mode&gt; cannot be set to 3 while Spy Mode is activated.</i> |
| AT+WREGC=0 | OK<br>+CREG: 1<br>+CGREG: 1<br><i>Note: Spy Mode is deactivated.</i>                       |
| AT+WREGC=3 | OK                                                                                         |

### 11.5.6. Notes

Spy Mode has precedence over other AT commands. When Spy Mode is activated, the AT commands +WGPRS, +COPS, +CGATT, and +CGCLASS will not be executed; an error will be returned from the embedded module if the operation cannot be performed. To activate the Spy Mode, <mode> must undergo the transition from '0' to '1'. Similarly, to deactivate the Spy Mode, <mode> must undergo the transition from '1' to '0'.

| <mode> transitions                           | Result      |
|----------------------------------------------|-------------|
| 0 → 1, 2, 3<br>1 → 0<br>2 → 0, 3<br>3 → 0, 2 | Allowed     |
| 1 → 2, 3<br>2 → 1<br>3 → 1                   | Not allowed |

When Spy Mode is activated and AT+WGPRS=0,0 is sent to enable the automatic GPRS attachment, the latter will not be performed at the next CPU restart. It will be performed at the next CPU restart once the Spy Mode is deactivated (AT+WREGC=0).

When Spy Mode is activated and AT command +COPS is sent to change the operator (PLMN) selection mode, the embedded module will try to find the home operator or the specified operator depending on the selected mode (automatic or manual) and performs GSM registration if found. Since Spy Mode is activated, the registration is unable to perform and an error will be returned. However, the operator selection will be performed once the Spy Mode is deactivated.

When Spy Mode is activated, sending AT+CGATT=1 for GPRS attachment will not work unless the Spy Mode is deactivated.

When Spy Mode is activated and AT command +CGCLASS is sent to set the GPRS mobile station class, the operation will not be performed successfully. However, the new class will be taken into account once the Spy Mode is deactivated.

## 11.6. Sierra Wireless Location +WLOC



### 11.6.1. Description

This Sierra Wireless proprietary command can be used by the application to retrieve the following local information: MCC-MNC, LAC, CI, Network measurement, BCCH channel list, Timing Advance, date and time.

Two methods exist for the external application to get these information:

- on request of the application,
- periodically by the embedded module.

The location feature has to be activated to get information (see +WFM command).

### 11.6.2. Syntax

- <mode>=0

*Action command*

```
AT+WLOC=<mode>
```

```
OK
```

- <mode>=1

*Action command*

```
AT+WLOC=<mode>
```

```
+WLOC: [<MCC-MNC>,<LAC>,<CI>,<NetMeas>,<BCCHlist>,<TA>,<Date and Time>]
```

```
OK
```

- <mode>=2

*Action command*

```
AT+WLOC=<mode>[,<time period>]
```

```
OK
```

- <mode>=3

*Action command*

```
AT+WLOC=<mode>[,<requested dump>]
```

```
OK
```

*Read command*

**AT+WLOC?**

+WLOC: <status>,<time period>,<requested dump>

OK

*Test command*

**AT+WLOC=?**

OK

*Unsolicited response*

+WLOC: [<MCC-MNC>,<LAC>,<CI>,<NetMeas>,<BCCHlist>,<TA>,<Date and Time>]

### 11.6.3. Parameters and Defined Values

|                                |                                                                                                                             |
|--------------------------------|-----------------------------------------------------------------------------------------------------------------------------|
| <b>&lt;mode&gt;:</b>           | requested operation                                                                                                         |
| 0                              | stop automatic shots                                                                                                        |
| 1                              | one shot requested                                                                                                          |
| 2                              | automatic shots requested (every x seconds)                                                                                 |
| 3                              | configuration of the <dump> value                                                                                           |
| <b>&lt;time period&gt;:</b>    | time period for automatic shots<br>range: 5-255 (multiple of 5, default value 5)<br>If omitted, the value will be set to 5. |
| <b>&lt;requested dump&gt;:</b> | requested measurements<br>bitfield: 1-255 (default value:255)<br>If omitted, the value will be set to 255.                  |
| 1                              | date and time will be returned in the response                                                                              |
| 2                              | TA will be returned in the response                                                                                         |
| 4                              | BCCH will be returned in the response                                                                                       |
| 8                              | network measurements will be returned in the response                                                                       |
| 16                             | CI will be returned in the response                                                                                         |
| 32                             | LAC will be returned in the response                                                                                        |



|                               |    |                                                                                                                                                                                                                                                                                 |
|-------------------------------|----|---------------------------------------------------------------------------------------------------------------------------------------------------------------------------------------------------------------------------------------------------------------------------------|
|                               | 64 | MNC-MCC will be returned in the response                                                                                                                                                                                                                                        |
| <b>&lt;MCC-MNC&gt;:</b>       |    | MCC and MNC codes<br>3 bytes in hexadecimal format (network coding)                                                                                                                                                                                                             |
| <b>&lt;LAC&gt;:</b>           |    | Location Area Code<br>string type; two byte location area code in hexadecimal format (e.g. "00C3" equals 195 in decimal)                                                                                                                                                        |
| <b>&lt;CI&gt;:</b>            |    | Cell Id<br>string type; two bytes in hexadecimal format<br>If the Cell Id is not available, this parameter is omitted.                                                                                                                                                          |
| <b>&lt;NetMeas&gt;:</b>       |    | network measurements<br>16 bytes in hexadecimal format                                                                                                                                                                                                                          |
| <b>&lt;BCCHlist&gt;:</b>      |    | BCCH channel list<br>maximum 48 bytes (if version V0 of GSM Rec 11.14 [20] )<br>129 bytes (if version V1 of GSM Rec 11.14 [20] )<br>The version number is indicated in TERMINAL PROFILE information in EEPROM. It is not usercustomizable. It is configured at production-time. |
| <b>&lt;TA&gt;:</b>            |    | timing advance<br>1 byte in hexadecimal format                                                                                                                                                                                                                                  |
| <b>&lt;Date and Time&gt;:</b> |    | date and time<br>7 bytes: date, time and time zone in SIM ToolKit format                                                                                                                                                                                                        |
| <b>&lt;status&gt;:</b>        |    | automatic shot status                                                                                                                                                                                                                                                           |
|                               | 0  | disabled                                                                                                                                                                                                                                                                        |
|                               | 1  | enabled                                                                                                                                                                                                                                                                         |

#### 11.6.4. Parameter Storage

The <mode>, <time period> and <requested dump> parameters are stored without using AT&W command. The default value of <mode> only can be restored using AT&F.

### 11.6.5. Examples

| Command                                                                                                                                      | Responses                                                                                                                                                                                                                                                                                                                              |
|----------------------------------------------------------------------------------------------------------------------------------------------|----------------------------------------------------------------------------------------------------------------------------------------------------------------------------------------------------------------------------------------------------------------------------------------------------------------------------------------|
| <b>AT+WLOC=3,255</b><br><i>Note: Set the information to display (255 -&gt; complete information)</i>                                         | OK                                                                                                                                                                                                                                                                                                                                     |
| <b>AT+WLOC=1</b><br><i>Note: Displays the local information once</i>                                                                         | +WLOC:<br>02f802,0006,7772,f13101b04cf51278<br>91138e95a846d160,8b49d08d0797c419e<br>272e10889a000009302170399020403c1<br>020a03c5020a03,00,010121111349ff<br>OK                                                                                                                                                                       |
| <b>AT+WLOC=2,10</b><br><i>Note: Displays OK then the current local information immediately for the first time and then every 10 seconds.</i> | OK<br>+WLOC:<br>02f802,0006,7772,ed3001af4cf492780<br>b040889c74acc23,8b49d08d0797c419e2<br>72e1<br>0889a000009302160399020503c1020a0<br>3c5020a03,00,010121111354ff<br>+WLOC:<br>02f802,0006,7772,f02d01ae4cf41278<br>4b03c889c846dba5,8b49d08d0797c<br>419e272e10889a0000093021703990<br>20403c1020a03c5020903,00,010121<br>111404ff |
| <b>AT+WLOC?</b>                                                                                                                              | +WLOC: 1,10,255<br>OK<br><i>Note: The location is in automatic mode, the period value is set to 10 seconds, the configuration value is set to 255.</i>                                                                                                                                                                                 |
| <b>AT+WLOC=0</b><br><i>Note: Stops the display of local information</i>                                                                      | OK                                                                                                                                                                                                                                                                                                                                     |

### 11.6.6. Notes

If the data are not valid at the requested time, the network measurement, BCCH list and Timing Advance cannot be displayed ("," is displayed instead).

---

*Note:* [**<NetMeas>**],[**<BCCHlist>**],[**<TA>**,] are not available for AirPrime SL808xT and Q2698 embedded modules..

---

## 11.7. Sierra Wireless Scan +WSCAN



### 11.7.1. Description

This Sierra Wireless proprietary command displays the received signal strength indication for a specified frequency (in absolute format).

This command is not allowed during communication.

Be sure that the <freq> parameter corresponds to the selected bands (see [+WMBS](#) command description)

### 11.7.2. Syntax

*Action command*

```
AT+WSCAN=<freq>
```

```
+WSCAN: <rssi>
```

```
OK
```

*Read command*

None

*Test command*

None

### 11.7.3. Parameters and Defined Values

| <b>&lt;freq&gt;:</b>              | <p>absolute frequency</p> <p>The range depends of the selected band:</p> <ul style="list-style-type: none"> <li>• P900 range: 1-124</li> <li>• E900 range: 1-124, 975-1023 and 0 for 1024</li> <li>• 850 range: 128-251</li> <li>• DCS1800 range: 512-885</li> <li>• PCS1900 range:</li> </ul> <table border="1" style="margin-left: 40px;"> <thead> <tr> <th>Embedded module and configuration</th> <th>&lt;freq&gt; range for PCS 1900</th> </tr> </thead> <tbody> <tr> <td>Not in autoquadband</td> <td>512-810</td> </tr> <tr> <td>In autoquadband</td> <td>1536-1834</td> </tr> </tbody> </table> <p style="margin-left: 40px;">This is made to distinguish DCS and PCS absolute frequency in autoquadband for embedded module.</p> | Embedded module and configuration | <freq> range for PCS 1900 | Not in autoquadband | 512-810  | In autoquadband | 1536-1834       |    |                |    |                             |
|-----------------------------------|------------------------------------------------------------------------------------------------------------------------------------------------------------------------------------------------------------------------------------------------------------------------------------------------------------------------------------------------------------------------------------------------------------------------------------------------------------------------------------------------------------------------------------------------------------------------------------------------------------------------------------------------------------------------------------------------------------------------------------------|-----------------------------------|---------------------------|---------------------|----------|-----------------|-----------------|----|----------------|----|-----------------------------|
| Embedded module and configuration | <freq> range for PCS 1900                                                                                                                                                                                                                                                                                                                                                                                                                                                                                                                                                                                                                                                                                                                |                                   |                           |                     |          |                 |                 |    |                |    |                             |
| Not in autoquadband               | 512-810                                                                                                                                                                                                                                                                                                                                                                                                                                                                                                                                                                                                                                                                                                                                  |                                   |                           |                     |          |                 |                 |    |                |    |                             |
| In autoquadband                   | 1536-1834                                                                                                                                                                                                                                                                                                                                                                                                                                                                                                                                                                                                                                                                                                                                |                                   |                           |                     |          |                 |                 |    |                |    |                             |
| <b>&lt;rsssi&gt;:</b>             | <p>received signal strength indication</p> <table border="1" style="margin-left: 20px;"> <tbody> <tr> <td>0</td> <td>-113 dBm or less</td> </tr> <tr> <td>1</td> <td>-111 dBm</td> </tr> <tr> <td>2-30</td> <td>-109 to -53 dBm</td> </tr> <tr> <td>31</td> <td>-51dBm or more</td> </tr> <tr> <td>99</td> <td>not known or not detectable</td> </tr> </tbody> </table>                                                                                                                                                                                                                                                                                                                                                                  | 0                                 | -113 dBm or less          | 1                   | -111 dBm | 2-30            | -109 to -53 dBm | 31 | -51dBm or more | 99 | not known or not detectable |
| 0                                 | -113 dBm or less                                                                                                                                                                                                                                                                                                                                                                                                                                                                                                                                                                                                                                                                                                                         |                                   |                           |                     |          |                 |                 |    |                |    |                             |
| 1                                 | -111 dBm                                                                                                                                                                                                                                                                                                                                                                                                                                                                                                                                                                                                                                                                                                                                 |                                   |                           |                     |          |                 |                 |    |                |    |                             |
| 2-30                              | -109 to -53 dBm                                                                                                                                                                                                                                                                                                                                                                                                                                                                                                                                                                                                                                                                                                                          |                                   |                           |                     |          |                 |                 |    |                |    |                             |
| 31                                | -51dBm or more                                                                                                                                                                                                                                                                                                                                                                                                                                                                                                                                                                                                                                                                                                                           |                                   |                           |                     |          |                 |                 |    |                |    |                             |
| 99                                | not known or not detectable                                                                                                                                                                                                                                                                                                                                                                                                                                                                                                                                                                                                                                                                                                              |                                   |                           |                     |          |                 |                 |    |                |    |                             |

### 11.7.4. Parameter Storage

None.

### 11.7.5. Examples

| Command                                                                               | Responses                                                    |
|---------------------------------------------------------------------------------------|--------------------------------------------------------------|
| <b>AT+WSCAN=50</b><br><br><i>Note: Request &lt;rsssi&gt; of absolute frequency 50</i> | +WSCAN: 23<br><br>OK<br><br><i>Note: &lt;rsssi&gt; is 23</i> |

## 11.8. Abort command +WAC



### 11.8.1. Description

This Sierra Wireless proprietary command allows SMS, SS and PLMN selection related commands to be aborted.

### 11.8.2. Syntax

*Action command*

**AT+WAC**

OK

*Read command*

**AT+WAC?**

OK

*Test command*

**AT+WAC=?**

OK

### 11.8.3. Parameters and Defined Values

None

### 11.8.4. Parameter Storage

None.

### 11.8.5. Examples

| Command                                                                                      | Responses                                                                                         |
|----------------------------------------------------------------------------------------------|---------------------------------------------------------------------------------------------------|
| <b>AT+COPS=?</b><br><i>Note: Available PLMN</i>                                              |                                                                                                   |
| <b>AT+WAC</b><br><i>Note: Aborts the request of PLMN list</i>                                | OK<br><i>Note: PLMN list request aborted</i>                                                      |
| <b>AT+CCFC=0, 2</b><br><i>Note: Interrogation of status of Call Forwarding service.</i>      |                                                                                                   |
| <b>AT+WAC</b><br><i>Note: Aborts the request of Interrogation of Call Forwarding service</i> | +CME ERROR: 551<br><i>Note: Interrogation of Call Forwarding service request abortion failure</i> |

## 11.9. Band Services command +WUBS



### 11.9.1. Description

This Sierra Wireless proprietary command selects the UMTS-FDD bands on which the embedded module has to operate. Multi-bands can be selected if the selected bands are supported by the embedded module. The user can choose if the change is immediate or not:

- either the embedded module has to be reset to take this change into account (this is the default case), or
- the 3G stack restarts immediately on the specified band(s). In this mode, the command +WUBS is forbidden during the initialization phase of the embedded module and during calls.

---

*Note:* This command is available only on 3G supported embedded modules.

### 11.9.2. Syntax

#### *Action command*

```
AT+WUBS=<Band>[,<Param>]
```

```
OK
```

#### *Read command*

```
AT+WUBS?
```

```
+WUBS: <Band>,<ResetFlag>
```

```
OK
```

#### *Test command*

```
AT+WUBS=?
```

```
+WUBS: (list of supported <Band>s), (list of supported <Param>s)
```

```
OK
```

### 11.9.3. Parameters and Defined Values

|                           |                                                                                                                                                                                                                                                               |
|---------------------------|---------------------------------------------------------------------------------------------------------------------------------------------------------------------------------------------------------------------------------------------------------------|
| <b>&lt;Band&gt;:</b>      | UMTS-FDD band frequency configuration (bit field)<br>bit set to 0: band not selected<br>bit set to 1: band selected<br>Multi-bands can be selected by setting the corresponding bits to 1.<br>range: 1 – 1FF<br>Default value: 1 (Band I, 2100 MHz, selected) |
| Bit 0                     | Band I (2100 MHz)                                                                                                                                                                                                                                             |
| Bit 1                     | Band II (1900 MHz)                                                                                                                                                                                                                                            |
| Bit 2                     | Band III (1800 MHz)                                                                                                                                                                                                                                           |
| Bit 3                     | Band IV (1700 MHz)                                                                                                                                                                                                                                            |
| Bit 4                     | Band V (850 MHz)                                                                                                                                                                                                                                              |
| Bit 5                     | Band VI (800 MHz)                                                                                                                                                                                                                                             |
| Bit 6                     | Band VII (2600 MHz)                                                                                                                                                                                                                                           |
| Bit 7                     | Band VIII (900 MHz)                                                                                                                                                                                                                                           |
| Bit 8                     | Band IX (1800 MHz)                                                                                                                                                                                                                                            |
| <b>&lt;Param&gt;:</b>     | type of change                                                                                                                                                                                                                                                |
| 0                         | The embedded module will have to be reset to start on specified band(s).<br><ResetFlag> is set to 1.<br>default value if omitted                                                                                                                              |
| 1                         | The change is effective immediately: the 3G stack is restarted with specified band(s).<br><ResetFlag> is set to 0.<br>This mode is forbidden while in communication and during embedded module initialization.                                                |
| <b>&lt;ResetFlag&gt;:</b> | reset flag                                                                                                                                                                                                                                                    |
| 0                         | The feature was not modified since the last boot of the product.                                                                                                                                                                                              |
| 1                         | The feature has been modified since the last boot of the product: it has to be reset in order to take the modification into account.                                                                                                                          |

*Note:* To know the supported bands for individual embedded module, please refer to the corresponding product technical specification (PTS).

### 11.9.4. Parameter Storage

The <Band> parameter is stored without using AT&W command.



### 11.9.5. Examples

| Command        | Responses                                                                                                                                       |
|----------------|-------------------------------------------------------------------------------------------------------------------------------------------------|
| AT+WUBS=?      | +WUBS: (1-1FF), (0-1)<br>OK<br><i>Note: Only Band I, Band II and Band V are available</i>                                                       |
| AT+WUBS="1"    | OK                                                                                                                                              |
| AT+WUBS?       | +WUBS: "1", 0<br>OK<br><i>Note: Embedded module does not have to be reset for change to be effective. since default &lt;Band&gt; is Band I.</i> |
| AT+WUBS="2", 1 | OK<br><i>Note: Embedded module stack restarts immediately on the specified band(s)</i>                                                          |
| AT+WUBS?       | +WUBS: "2", 0<br>OK<br><i>Note: Embedded module does not have to be reset for change to be effective.</i>                                       |
| AT+WUBS="3"    | OK<br><i>Note: Select operating Band I and Band II.</i>                                                                                         |
| AT+WUBS?       | +WUBS: "3", 1<br>OK<br><i>Note: Embedded module has to be reset for change to be effective.</i>                                                 |
| AT+WUBS?       | +WUBS: "3", 0<br>OK                                                                                                                             |
| AT+CFUN=1      | OK                                                                                                                                              |

## 11.10. Wireless Service Management +WWSM



### 11.10.1. Description

This Sierra Wireless proprietary command is used by the application to select the cellular network (Wireless Data Service; WDA) to operate with the MT/TA. This command may be used when MT/TA is asked to indicate the networks in which it can operate.

Set command selects to WDS side stack <mode> to be used by the TA. Read command shows current setting and test command displays side stacks available in the TA.

The selected cellular network will be taken into account in the next embedded module reset.

---

*Note:* This command is available only on 3G supported embedded module.

---

### 11.10.2. Syntax

#### Action command

```
AT+WWSM=<mode>[,<prefer_nwk>]
```

```
OK
```

#### Read command

```
AT+WWSM?
```

```
+WWSM: <mode>[,<prefer_nwk>]
```

```
OK
```

#### Test command

```
AT+WWSM=?
```

```
+WWSM: (list of supported <mode>s),(list of supported <prefer_nwk>s)
```

```
OK
```

### 11.10.3. Parameters and Defined Values

|                            |   |                                                                                               |
|----------------------------|---|-----------------------------------------------------------------------------------------------|
| <b>&lt;mode&gt;:</b>       |   | cellular network to operate                                                                   |
|                            | 0 | GSM Digital Cellular Systems (GERAN only)                                                     |
|                            | 1 | UTRAN only                                                                                    |
|                            | 2 | 3GPP Systems (both GERAN and UTRAN) (default)                                                 |
| <b>&lt;prefer_nwk&gt;:</b> |   | preferred network (workable when <mode>=2)<br>If omitted, the default value '0' will be used. |
|                            | 0 | automatic (default)                                                                           |
|                            | 1 | GERAN preferred                                                                               |
|                            | 2 | UTRAN preferred                                                                               |

### 11.10.4. Parameter Storage

The <mode> and <prefer\_nwk> parameters are stored in EEPROM without using AT&W. The default value can be restored using AT&F.

### 11.10.5. Examples

| Command                                                                    | Responses                                                                                                                     |
|----------------------------------------------------------------------------|-------------------------------------------------------------------------------------------------------------------------------|
| <b>AT+WWSM=?</b>                                                           | +WWSM: (0,1,2), (0-2)<br>OK<br><i>Note: TA operation available in three mode: GERAN only, UTRAN only and both GERAN+UTRAN</i> |
| <b>AT+WWSM?</b><br><br><i>Note: Get the network status</i>                 | +WWSM: 2,0<br>OK<br><i>Note: Current mode = GERAN and UTRAN (UTRAN preferred)</i>                                             |
| <b>AT+WWSM=2,1</b><br><br><i>Note: Select 3GPP system, GERAN preferred</i> | OK<br><i>Note: Command valid</i>                                                                                              |
| <b>AT+WWSM=0</b><br><br><i>Note: Select GERAN system</i>                   | OK<br><i>Note: Command valid</i>                                                                                              |
| <b>AT+WWSM=4</b>                                                           | +CME ERROR: 3<br><i>Note: Invalid parameter.</i>                                                                              |

## 11.11. Wireless Power Level +WPOW



### 11.11.1. Description

This Sierra Wireless proprietary command is used for production test purpose.

#### MS Transmitted power measurement:

A burst signal is repeatedly supplied from the embedded module with a constant power level on a given channel.

The tester measures transmitted signal level.

#### MS Received signal power measurement:

The embedded module performs a single power measurement of the signal received in the given channel. Measurement is performed with internal gain sets to the value corresponding to the given input signal level.

---

**Warning:** *+WPOW command is intended for non-signalling measurement purpose. Protocol stack must be disabled (using +CPOF, +CFUN or +WBHV).*

**Warning:** *+WPOW is not compliant with nominal GSM-GPRS-EDGE protocol stack operations: no GSM network registration or GSM call or GPRS-EDGE transfer can be carried on while using +WPOW.*

**Warning:** *Embedded module system clock is no longer synchronized with any network. Therefore, GSM RF frequency accuracy is very rough (< 30 ppm).*

**Warning:** *Be sure that the <Arfcn> parameter corresponds to the selected bands (see +WMBS command description).*

**Warning:** *When used in transmission mode (<mode>=1), and when used during a long period of time or used at high output power levels, this command could lead to an overheat of the the module and could irreversibly damage the RF part of the module.*

---

### 11.11.2. Syntax

- For <mode> = 0: Received signal power measurement

*Action command*

```
AT+WPOW=<mode>,<Arfcn>[,<Gain>]
```

```
[+WPOW: <SignalLevel>]
```

```
OK
```

- For <mode> = 1: Transmitted power measurement START

*Action command*

```
AT+WPOW=<mode>,<Arfcn>[,<Pc1>]
```

```
OK
```

- For <mode> = 2: Transmitted power measurement STOP

*Action command*

**AT+WPOW=<mode>**

OK

*Read command*

**AT+WPOW?**

OK

*Test command*

**AT+WPOW=?**

OK

### 11.11.3. Parameters and Defined Values

| <b>&lt;mode&gt;:</b>              | mode                                                                                                                                                                                                                                                                                                                                                                                                                                                                                                                                                  |                                   |                           |                     |         |                 |           |
|-----------------------------------|-------------------------------------------------------------------------------------------------------------------------------------------------------------------------------------------------------------------------------------------------------------------------------------------------------------------------------------------------------------------------------------------------------------------------------------------------------------------------------------------------------------------------------------------------------|-----------------------------------|---------------------------|---------------------|---------|-----------------|-----------|
| 0                                 | received signal power measurement                                                                                                                                                                                                                                                                                                                                                                                                                                                                                                                     |                                   |                           |                     |         |                 |           |
| 1                                 | transmitted power measurement START                                                                                                                                                                                                                                                                                                                                                                                                                                                                                                                   |                                   |                           |                     |         |                 |           |
| 2                                 | transmitted power measurement STOP                                                                                                                                                                                                                                                                                                                                                                                                                                                                                                                    |                                   |                           |                     |         |                 |           |
| <b>&lt;Arfcn&gt;:</b>             | Absolute Radio Frequency Channel Number (GSM radio channel number)<br>(see <i>GSM 05.05</i> , "Radio transmission and reception").                                                                                                                                                                                                                                                                                                                                                                                                                    |                                   |                           |                     |         |                 |           |
| GSM 900 / E GSM:                  | range [1023 : 975] U [124 : 0]                                                                                                                                                                                                                                                                                                                                                                                                                                                                                                                        |                                   |                           |                     |         |                 |           |
| GSM 850:                          | range [128 : 251]                                                                                                                                                                                                                                                                                                                                                                                                                                                                                                                                     |                                   |                           |                     |         |                 |           |
| DCS 1800:                         | range [512 : 885]                                                                                                                                                                                                                                                                                                                                                                                                                                                                                                                                     |                                   |                           |                     |         |                 |           |
| PCS 1900:                         | <table border="1"> <thead> <tr> <th>Embedded module and configuration</th> <th>&lt;freq&gt; range for PCS 1900</th> </tr> </thead> <tbody> <tr> <td>Not in autoquadband</td> <td>512-810</td> </tr> <tr> <td>In autoquadband</td> <td>1536-1834</td> </tr> </tbody> </table> <p>In case of embedded modules configured in autoquadband, for PCS 1900 parameter &lt;freq&gt; range [1536-1834] corresponds to frequency range [512-810]. This is made to distinguish DCS 1800 and PCS 1900 absolute frequency in autoquadband for embedded module.</p> | Embedded module and configuration | <freq> range for PCS 1900 | Not in autoquadband | 512-810 | In autoquadband | 1536-1834 |
| Embedded module and configuration | <freq> range for PCS 1900                                                                                                                                                                                                                                                                                                                                                                                                                                                                                                                             |                                   |                           |                     |         |                 |           |
| Not in autoquadband               | 512-810                                                                                                                                                                                                                                                                                                                                                                                                                                                                                                                                               |                                   |                           |                     |         |                 |           |
| In autoquadband                   | 1536-1834                                                                                                                                                                                                                                                                                                                                                                                                                                                                                                                                             |                                   |                           |                     |         |                 |           |

|                              |                                                                                                                                                                                                                                    |
|------------------------------|------------------------------------------------------------------------------------------------------------------------------------------------------------------------------------------------------------------------------------|
| <b>&lt;Pcl&gt;</b> :         | <p>power control level</p> <p>when &lt;Mode&gt; = 1, gives the GSM transmit Power Control Level.<br/>(see GSM 05.05, "Radio transmission and reception")</p>                                                                       |
| GSM:                         | range [5: 19], 5 is maximum power (33 dBm ± 2 dBm)                                                                                                                                                                                 |
| DCS – PCS:                   | range [0 : 15], 0 is maximum power (30 dBm ± 2 dBm)                                                                                                                                                                                |
|                              | <i>Note: If &lt;Pcl&gt; is not specified, maximum power level is applied.</i>                                                                                                                                                      |
| <b>&lt;Gain&gt;</b> :        | <p>when &lt;Mode&gt; = 0, gives the internal gain to be internally used to perform received signal measurement. Its value expressed in terms of input signal level.</p> <p>Range is [38;110], corresponding to [-110;-38] dBm.</p> |
|                              | <i>Note: If &lt;Gain&gt; parameter is not specified, an internal gain control algorithm applies the best suited gain for the input signal.</i>                                                                                     |
| <b>&lt;SignalLevel&gt;</b> : | <p>the measured signal level</p> <p>Range is [-105;-38] dBm</p>                                                                                                                                                                    |

#### 11.11.4. Parameter Storage

None.

#### 11.11.5. Example

| Command                                                                            | Responses         |
|------------------------------------------------------------------------------------|-------------------|
| <b>AT+CFUN=0</b><br><i>Note: Stop the Protocol stack before doing measurement.</i> | OK                |
| <b>AT+WPOW=0 , 62</b>                                                              | +WPOW: -85<br>OK  |
| <b>AT+WPOW=0 , 62 , 97</b>                                                         | +WPOW: -100<br>OK |

## 11.12. Error code AT\$ARMEE



### 11.12.1. Description

This command is used to enable/disable \$ARME ERROR unsolicited result code, returned as an indication of an error relating to the functionality of the UE. When enabled, error code \$ARME ERROR is returned if network sends reject code or ignores request from TE.

### 11.12.2. Syntax

*Action command*

```
AT$ARMEE=<mode>  
OK
```

*Read command*

```
AT$ARMEE?  
$ARMEE: <mode>  
OK
```

*Test command*

```
AT$ARMEE=?  
$ARMEE: (0-1)  
OK
```

*Unsolicited response*

```
$ARME ERROR: <type> <err>
```

### 11.12.3. Parameters and Defined Values

|                      |                                                                                                                                       |
|----------------------|---------------------------------------------------------------------------------------------------------------------------------------|
| <b>&lt;mode&gt;:</b> | request operation                                                                                                                     |
| 0                    | disable \$ARME ERROR: <type> <err> result code (default value)                                                                        |
| 1                    | enable \$ARME ERROR: <type> <err> result code and use numeric <type> <err> values                                                     |
| <b>&lt;type&gt;:</b> | Error type<br>String type; 1 byte error type code in hexadecimal format. See table 1 for possible values.                             |
| <b>&lt;err&gt;:</b>  | Reject error<br>String type; 1 byte error type code in hexadecimal format. See table 1 for possible values depending on <type> value. |

Table 1: <type> <err> parameter values

| <type> Error Type (hexadecimal format) |                                                                                                                   | <err> Reject Error                                                               |
|----------------------------------------|-------------------------------------------------------------------------------------------------------------------|----------------------------------------------------------------------------------|
| 01                                     | MM Reject code is received during an MM procedure                                                                 | See <a href="#">Table 2</a>                                                      |
| 02                                     | CM Reject code is received during a CM procedure                                                                  | See <a href="#">Table 2</a>                                                      |
| 03                                     | GMM Reject code is received during an uncombined GMM procedure for GPRS services                                  | See <a href="#">Table 3</a>                                                      |
| 04                                     | SM Reject is received                                                                                             | See <a href="#">Table 4</a>                                                      |
| 05                                     | GMM reject code is received during a combined GMM procedure for non-GPRS services                                 | See <a href="#">Table 2</a>                                                      |
| 06                                     | GMM reject code is received during a combined GMM procedure for GPRS and non-GPRS services                        | See <a href="#">Table 2</a>                                                      |
| XX                                     | This is in the range 01-06<br>In the case of a combined GMM procedure, the 'Error Type' is set to the value '06'. | '00' - Request from TE was ignored by the network for the specific 'error type'. |

Note: The three following tables were all extracted from document "3GPP 24.008: Mobile radio interface Layer 3 specification; Core network protocols; Stage 3"

Table 2: Reject Cause Values (in hexadecimal format)

| Value | Definition                |
|-------|---------------------------|
| 02    | IMSI unknown in HLR       |
| 03    | Illegal MS                |
| 04    | IMSI unknown in VLR       |
| 05    | IMEI not accepted         |
| 06    | Illegal ME                |
| 0B    | PLMN not allowed          |
| 0C    | Location Area not allowed |



| Value                                                                                                                            | Definition                                          |
|----------------------------------------------------------------------------------------------------------------------------------|-----------------------------------------------------|
| 0D                                                                                                                               | Roaming not allowed in this location area           |
| 0F                                                                                                                               | No Suitable Cells In Location Area                  |
| 11                                                                                                                               | Network failure                                     |
| 14                                                                                                                               | MAC failure                                         |
| 15                                                                                                                               | Synch failure                                       |
| 16                                                                                                                               | Congestion                                          |
| 17                                                                                                                               | GSM authentication unacceptable                     |
| 20                                                                                                                               | Service option not supported                        |
| 21                                                                                                                               | Requested service option not subscribed             |
| 22                                                                                                                               | Service option temporarily out of order             |
| 26                                                                                                                               | Call cannot be identified                           |
| 30 to 3F                                                                                                                         | retry upon entry into a new cell                    |
| 5F                                                                                                                               | Semantically incorrect message                      |
| 60                                                                                                                               | Invalid mandatory information                       |
| 61                                                                                                                               | Message type non-existent or not implemented        |
| 62                                                                                                                               | Message type not compatible with the protocol state |
| 63                                                                                                                               | Information element non-existent or not implemented |
| 64                                                                                                                               | Conditional IE error                                |
| 65                                                                                                                               | Message not compatible with the protocol state      |
| 6F                                                                                                                               | Protocol error, unspecified                         |
| <b>Note:</b> Any other value received by the mobile station shall be treated as '22', 'Service option temporarily out of order'. |                                                     |

**Table 3: GMM Cause Values (in hexadecimal value)**

| Value | Definition                                      |
|-------|-------------------------------------------------|
| 02    | IMSI unknown in HLR                             |
| 03    | Illegal MS                                      |
| 06    | Illegal ME                                      |
| 07    | GPRS services not allowed                       |
| 08    | GPRS services and non-GPRS services not allowed |
| 09    | MS identity cannot be derived by the network    |

| Value                                                                                                                | Definition                                          |
|----------------------------------------------------------------------------------------------------------------------|-----------------------------------------------------|
| 0A                                                                                                                   | Implicitly detached                                 |
| 0B                                                                                                                   | PLMN not allowed                                    |
| 0C                                                                                                                   | Location Area not allowed                           |
| 0D                                                                                                                   | Roaming not allowed in this location area           |
| 0E                                                                                                                   | GPRS services not allowed in this PLMN              |
| 0F                                                                                                                   | No Suitable Cells In Location Area                  |
| 10                                                                                                                   | MSC temporarily not reachable                       |
| 11                                                                                                                   | Network failure                                     |
| 14                                                                                                                   | MAC failure                                         |
| 15                                                                                                                   | Synch failure                                       |
| 16                                                                                                                   | Congestion                                          |
| 17                                                                                                                   | GSM authentication unacceptable                     |
| 28                                                                                                                   | No PDP context activated                            |
| 30 to 3F                                                                                                             | retry upon entry into a new cell                    |
| 5F                                                                                                                   | Semantically incorrect message                      |
| 60                                                                                                                   | Invalid mandatory information                       |
| 61                                                                                                                   | Message type non-existent or not implemented        |
| 62                                                                                                                   | Message type not compatible with the protocol state |
| 63                                                                                                                   | Information element non-existent or not implemented |
| 64                                                                                                                   | Conditional IE error                                |
| 65                                                                                                                   | Message not compatible with the protocol state      |
| 6F                                                                                                                   | Protocol error, unspecified                         |
| <i>Note: Any other value received by the mobile station shall be treated as '6F', "Protocol error, unspecified".</i> |                                                     |

Table 4: SM Cause Values (in hexadecimal format)

| Value | Definition                     |
|-------|--------------------------------|
| 8     | Operator Determined Barring    |
| 19    | LLC or SMDCP failure(GSM only) |
| 1A    | Insufficient resources         |
| 1B    | Missing or unknown APN         |

| Value                                                                                                                                   | Definition                                          |
|-----------------------------------------------------------------------------------------------------------------------------------------|-----------------------------------------------------|
| 1C                                                                                                                                      | Unknown PDP address or PDP type                     |
| 1D                                                                                                                                      | User Aauthentication failed                         |
| 1E                                                                                                                                      | Activation rejected by GGSN                         |
| 1F                                                                                                                                      | Activation rejected, unspecified                    |
| 20                                                                                                                                      | Service option not supported                        |
| 21                                                                                                                                      | Requested service option not subscribed             |
| 22                                                                                                                                      | Service option temporarily out of order             |
| 23                                                                                                                                      | NSAPI already used (not sent)                       |
| 24                                                                                                                                      | Regular deactivation                                |
| 25                                                                                                                                      | QoS not accepted                                    |
| 26                                                                                                                                      | Network failure                                     |
| 27                                                                                                                                      | Reactivation required                               |
| 28                                                                                                                                      | Feature not supported                               |
| 29                                                                                                                                      | Semantic error in the TFT operation                 |
| 2A                                                                                                                                      | Syntactical error in the TFT operation              |
| 2B                                                                                                                                      | Unknown PDP context                                 |
| 2E                                                                                                                                      | PDP context without TFT already activated           |
| 2C                                                                                                                                      | Semantic errors in packet filter(s)                 |
| 2D                                                                                                                                      | Syntactical errors in packet filter(s)              |
| 51                                                                                                                                      | Invalid transaction identifier value                |
| 5F                                                                                                                                      | Semantically incorrect message                      |
| 60                                                                                                                                      | Invalid mandatory information                       |
| 61                                                                                                                                      | Message type non-existent or not implemented        |
| 62                                                                                                                                      | Message type not compatible with the protocol state |
| 63                                                                                                                                      | Information element non-existent or not implemented |
| 64                                                                                                                                      | Conditional IE error                                |
| 65                                                                                                                                      | Message not compatible with the protocol state      |
| 6F                                                                                                                                      | Protocol error, unspecified                         |
| <p><i>Note: Any other value received by the mobile station shall be treated as '22', "Service option temporarily out of order".</i></p> |                                                     |

### 11.12.4. Parameter Storage

None.

### 11.12.5. Examples

| Command     | Responses                                                                                                                                                                                                   |
|-------------|-------------------------------------------------------------------------------------------------------------------------------------------------------------------------------------------------------------|
| AT\$ARMEE=0 | OK                                                                                                                                                                                                          |
| AT\$ARMEE=1 | OK<br><i>Note: Enable \$ARME ERROR unsolicited indication</i>                                                                                                                                               |
|             | \$ARME ERROR: 04 26<br><i>Note: unsolicited indication indicating MS has received a SM message from network which contains SM cause (ErrorType = 0x04) indicating Network failure (Reject Error = 0x26)</i> |
|             | \$ARME ERROR: 05 00<br><i>Note: unsolicited indication indicating network has ignored a MS's request during a combined GMM procedure for non-GPRS services</i>                                              |
| AT\$ARMEE?  | \$ARMEE: 1<br>OK<br><i>Note: \$ARME ERROR unsolicited idication is currently enabled</i>                                                                                                                    |
| AT\$ARMEE=? | \$ARMEE: (0-1)<br>OK                                                                                                                                                                                        |
| AT\$ARMEE=2 | ERROR<br><i>Note:&lt;mode&gt; is out of allowed range</i>                                                                                                                                                   |

## 12. Call Control Commands

### 12.1. Dial Command to a specific number D

Emergency call



Normal call



#### 12.1.1. Description

This Sierra Wireless proprietary command allows an application to specify new Emergency Call Codes.

According to 3GPP specifications, only several numbers should be considered as emergency numbers:

- Without a SIM: 112, 911, 000, 08, 110, 999, 118 and 119
- With a SIM: 112, 911 and numbers present in the EF<sub>ECC</sub> SIM file

All others numbers will be considered as GSM numbers.

The ATD command is used to set a voice, data or fax call. As per GSM 02.30, the dial command also controls supplementary services.

The following Emergency Numbers are available without a SIM card:

000, 08, 110, 112, 118, 119, 911 and 999.

The following Emergency Numbers are available with a SIM card:

- when EF<sub>ECC</sub> file is missing from SIM: 112 and 911
- when SIM includes an EF<sub>ECC</sub> file: 112, 911 and any Emergency Numbers available in the EF<sub>ECC</sub> file.

An optional field can be filled for an emergency call: the Service Category. See the “Notes” paragraph.

## 12.1.2. Syntax

### Action command

**ATD<nb>[<I>][<G>][;]**

[Depending of GSM sequence]

OK / CONNECT <speed> / NO CARRIER / BUSY / NO ANSWER

### Read command

None

### Test command

None

## 12.1.3. Parameters and Defined Values

|                       |                                                                                                                                                                                                                        |     |                                                               |      |                                                                |
|-----------------------|------------------------------------------------------------------------------------------------------------------------------------------------------------------------------------------------------------------------|-----|---------------------------------------------------------------|------|----------------------------------------------------------------|
| <b>&lt;nb&gt;:</b>    | destination phone number (ASCII string) or GSM sequence<br>0-9, *,#,+,A,B,C,D,P                                                                                                                                        |     |                                                               |      |                                                                |
| <b>&lt;I&gt;:</b>     | CLIR supplementary service subscription<br>If present, the CLIR supplementary service subscription is overridden temporary for this call only.                                                                         |     |                                                               |      |                                                                |
|                       | <table border="1"> <tr> <td>l</td> <td>activate (disable presentation of own phone number to remote)</td> </tr> <tr> <td>i</td> <td>deactivate (enable presentation of own phone number to remote)</td> </tr> </table> | l   | activate (disable presentation of own phone number to remote) | i    | deactivate (enable presentation of own phone number to remote) |
| l                     | activate (disable presentation of own phone number to remote)                                                                                                                                                          |     |                                                               |      |                                                                |
| i                     | deactivate (enable presentation of own phone number to remote)                                                                                                                                                         |     |                                                               |      |                                                                |
| <b>&lt;G&gt;:</b>     | CUG supplementary service information<br>If present, the CUG supplementary service information is overridden temporary for this call only.                                                                             |     |                                                               |      |                                                                |
|                       | <table border="1"> <tr> <td>G</td> <td>activate</td> </tr> <tr> <td>g</td> <td>deactivate</td> </tr> </table>                                                                                                          | G   | activate                                                      | g    | deactivate                                                     |
| G                     | activate                                                                                                                                                                                                               |     |                                                               |      |                                                                |
| g                     | deactivate                                                                                                                                                                                                             |     |                                                               |      |                                                                |
| <b>;</b>              | for voice call<br>If omitted, the call will be a data or a fax one.                                                                                                                                                    |     |                                                               |      |                                                                |
| <b>&lt;speed&gt;:</b> | data call connection speed in bps                                                                                                                                                                                      |     |                                                               |      |                                                                |
|                       | <table border="1"> <tr> <td>300</td> </tr> <tr> <td>1200</td> </tr> <tr> <td>2400</td> </tr> <tr> <td>4800</td> </tr> </table>                                                                                         | 300 | 1200                                                          | 2400 | 4800                                                           |
| 300                   |                                                                                                                                                                                                                        |     |                                                               |      |                                                                |
| 1200                  |                                                                                                                                                                                                                        |     |                                                               |      |                                                                |
| 2400                  |                                                                                                                                                                                                                        |     |                                                               |      |                                                                |
| 4800                  |                                                                                                                                                                                                                        |     |                                                               |      |                                                                |

|       |
|-------|
| 9600  |
| 14400 |

### 12.1.4. Parameter storage

None

### 12.1.5. Examples

| Command                                                                                                                                         | Responses                                           |
|-------------------------------------------------------------------------------------------------------------------------------------------------|-----------------------------------------------------|
| <b>ATD0123456789;</b><br><i>Note: Call the 0123456789 number, voice call</i>                                                                    | OK<br><i>Note: Call succeeds</i>                    |
| <b>ATD0123456789P123;</b><br><i>Note: Call the 0123456789 number, voice call with a pause and DTMF sequence 123</i>                             | OK                                                  |
| <b>ATD0123456789</b><br><i>Note: Call the 0123456789 number, data call</i>                                                                      | CONNECT 9600<br><i>Note: Call succeeds</i>          |
| <b>ATD*#21#</b><br><i>Note: Check any call forwarding status</i>                                                                                | +CCFC: 0,7<br>OK<br><i>Note: No call forwarding</i> |
| <b>ATD911#64;</b><br><i>Note: Initiate an emergency call with the Service Category field set to "automatically initiated eCall" (see Notes)</i> | OK                                                  |

### 12.1.6. Notes

- If a GPRS PPP session is already running, the setting of a CSD (GSM data call) is not supported.
- For an international number, the local international prefix does not need to be set (usually 00) but must be replaced by the '+' character.  
Example: to set up a voice call to Sierra Wireless offices from another country, the AT command is: "ATD+33146290800;"
- Note that some countries may have specific numbering rules for their GSM handset numbering.
- When the FDN phonebook has been activated (see +CLCK command), only numbers beginning with the digits of FDN phonebook entries can be called. For example, if "014629" is entered in the FDN phonebook all the phone numbers beginning with these 6 digits can be called.
- An outgoing call attempt can be refused if the AOC service is active and credit has expired (NO CARRIER).

- As per GSM 02.30, GSM sequences may be controlled using dial commands. These sequences can contain "\*", "#", but ";" is forbidden in the sequence. For example, to invoke or suppress CLIR service temporarily, ATD\*31#<nb>[;] and ATD#31#<nb>[;] can be used (with ';' at the end, a voice call will be launched).
- If the FDN phonebook is activated, the call forwarding sequences are allowed only if they are present in the FDN.
- See GSM Sequence List paragraph in the Appendixes to have the list of supported sequences.
- A category can be filled for an emergency call. To use this specificity, the following syntax should be used:  
ATD<nb>#<category>;  
with <nb> is the emergency call

<category> is a bit field with the following explanation:

|       |                               |
|-------|-------------------------------|
| bit 1 | Police                        |
| bit 2 | Ambulance                     |
| bit 3 | Fire Brigade                  |
| bit 4 | Marine Guard                  |
| bit 5 | Mountain Rescue               |
| bit 6 | manually initiated eCall      |
| bit 7 | automatically initiated eCall |
| bit 8 | is spare and set to "0"       |

The <category> range is [1-127]. If an out of range value is filled and if the <nb> is an emergency call, this field is not taken into account by the embedded module and the emergency call is initiated (without this information).

If the <nb> number is not an emergency number, the <category> field is not taken into account and a normal call is initiated by the embedded module.

If bit 6 and bit 7 are set to 1, the embedded module automatically set bit 6 to 0 and keep bit 7 to 1.



## 12.2. Direct Dial Command with phonebook index D



### 12.2.1. Description

This command allows initiating an outgoing voice, data or fax call directly by indicating the index of a specific or current phonebook entry.

### 12.2.2. Syntax

#### Action command

```
ATD>[<mem>]<index>[<I>] [<G>] [;]
```

OK / CONNECT <speed> / NO CARRIER / BUSY / NO ANSWER

#### Read command

None

#### Test command

None

### 12.2.3. Parameters and Defined Values

**<mem>:** phonebook memory storage  
If omitted, the currently selected phonebook is used.

|    |                                                      |
|----|------------------------------------------------------|
| SM | ADN Abbreviated Dialing Numbers (SIM phonebook)      |
| FD | FDN Fixed Dialing Numbers (SIM restricted phonebook) |
| ON | MSISDN (SIM own numbers)                             |
| EN | ECC Emergency Call Codes (SIM or ME)                 |
| LD | LND Last Number Dialed                               |
| MC | Missed (unanswered received) Calls list              |
| ME | ME (flash) phonebook                                 |
| MT | combined ME and SIM phonebook (ME+SM)                |

|                       |    |                                                                                                                                               |
|-----------------------|----|-----------------------------------------------------------------------------------------------------------------------------------------------|
|                       | RC | Received Calls list                                                                                                                           |
|                       | SN | SDN Service Dialing Numbers (SIM special service numbers)                                                                                     |
| <b>&lt;index&gt;:</b> |    | phonebook entry index<br>integer type<br>The range depends of the SIM capability (for ADN phonebook) and is (1-500) for flash phonebook       |
| <b>&lt;I&gt;:</b>     |    | CLIR supplementary service subscription<br>If present, the CLIR supplementary service subscription is overridden temporary for this call only |
|                       | I  | activate (disable presentation of own phone number to remote)                                                                                 |
|                       | i  | deactivate (enable presentation of own phone number to remote)                                                                                |
| <b>&lt;G&gt;:</b>     |    | CUG supplementary service information<br>If present, the CUG supplementary service information is overridden temporary for this call only.    |
|                       | G  | activate                                                                                                                                      |
|                       | g  | deactivate                                                                                                                                    |
| <b>;</b>              |    | for voice call<br>If omitted, the call will be a data or a fax one                                                                            |
| <b>&lt;speed&gt;:</b> |    | data call connection speed in bps                                                                                                             |
|                       |    | 300                                                                                                                                           |
|                       |    | 1200                                                                                                                                          |
|                       |    | 2400                                                                                                                                          |
|                       |    | 4800                                                                                                                                          |
|                       |    | 9600                                                                                                                                          |
|                       |    | 14400                                                                                                                                         |

## 12.2.4. Parameter Storage

None.

### 12.2.5. Examples

| Command                                                                              | Responses                        |
|--------------------------------------------------------------------------------------|----------------------------------|
| <b>ATD&gt;1 ;</b><br><i>Note: Call the 1<sup>st</sup> entry of current phonebook</i> | OK<br><i>Note: Call succeeds</i> |
| <b>ATD&gt;ME1 ;</b><br><i>Note: Call the 1<sup>st</sup> entry of flash phonebook</i> | OK<br><i>Note: Call succeeds</i> |

### 12.2.6. Notes

When the FDN phonebook has been activated (see +CLCK command), only direct dialing from FDN phonebook entries is available.

An outgoing call attempt can be refused if the AOC service is active and credit has expired (NO CARRIER).

## 12.3. Direct Dial Command using a phonebook entry name D



### 12.3.1. Description

This command allows initiating an outgoing voice, data or fax call directly by indicating the entry name of a specific phonebook.

### 12.3.2. Syntax

#### Action command

```
ATD> [<mem>] <name> [<I>] [<G>] [ ; ]
```

OK / CONNECT <speed> / NO CARRIER / BUSY / NO ANSWER

#### Read command

None

#### Test command

None

### 12.3.3. Parameters and Defined Values

**<mem>:** phonebook memory storage  
If omitted, the currently selected phonebook is used.

|    |                                                      |
|----|------------------------------------------------------|
| SM | ADN Abbreviated Dialing Numbers (SIM phonebook)      |
| FD | FDN Fixed Dialing Numbers (SIM restricted phonebook) |
| ON | MSISDN (SIM own numbers)                             |
| EN | ECC Emergency Call Codes (SIM or ME)                 |
| LD | LND Last Number Dialed                               |
| MC | Missed (unanswered received) Calls list              |

|                       |       |                                                                                                                                                                     |                                                           |
|-----------------------|-------|---------------------------------------------------------------------------------------------------------------------------------------------------------------------|-----------------------------------------------------------|
|                       |       |                                                                                                                                                                     | ME phonebook                                              |
|                       |       |                                                                                                                                                                     | combined ME and SIM phonebook (ME+SM)                     |
|                       |       |                                                                                                                                                                     | Received Calls list                                       |
|                       |       |                                                                                                                                                                     | SDN Service Dialing Numbers (SIM special service numbers) |
| <b>&lt;name&gt;:</b>  |       | phonebook entry name<br>ASCII string (between "")<br>The maximum number of characters depends on SIM capability for all phonebooks except ME (up to 30 characters). |                                                           |
| <b>&lt;I&gt;:</b>     |       | CLIR supplementary service subscription<br>If present, the CLIR supplementary service subscription is overridden temporary for this call only.                      |                                                           |
|                       | I     | activate (disable presentation of own phone number to remote)                                                                                                       |                                                           |
|                       | i     | deactivate (enable presentation of own phone number to remote)                                                                                                      |                                                           |
| <b>&lt;G&gt;:</b>     |       | CUG supplementary service information<br>If present, the CUG supplementary service information is overridden temporary for this call only.                          |                                                           |
|                       | G     | activate                                                                                                                                                            |                                                           |
|                       | g     | deactivate                                                                                                                                                          |                                                           |
| ;                     |       | for voice call<br>If omitted, the call will be a data or a fax one.                                                                                                 |                                                           |
| <b>&lt;speed&gt;:</b> |       | data call connection speed in bps                                                                                                                                   |                                                           |
|                       | 300   |                                                                                                                                                                     |                                                           |
|                       | 1200  |                                                                                                                                                                     |                                                           |
|                       | 2400  |                                                                                                                                                                     |                                                           |
|                       | 4800  |                                                                                                                                                                     |                                                           |
|                       | 9600  |                                                                                                                                                                     |                                                           |
|                       | 14400 |                                                                                                                                                                     |                                                           |

### 12.3.4. Parameter storage

None

### 12.3.5. Examples

| Command                                                                                                  | Responses                        |
|----------------------------------------------------------------------------------------------------------|----------------------------------|
| <b>ATD&gt;"John" ;</b><br><i>Note: Call the number of the current phonebook entry which name is John</i> | OK<br><i>Note: Call succeeds</i> |
| <b>ATD&gt;ME"John" ;</b><br><i>Note: Call the number of the flash phonebook entry which name is John</i> | OK<br><i>Note: Call succeeds</i> |

### 12.3.6. Notes

When the FDN phonebook has been activated, only direct dialing from FDN phonebook entries is available.

An outgoing call attempt can be refused if the AOC service is active and credit has expired (NO CARRIER).

## 12.4. Redial Last Telephone Number DL



### 12.4.1. Description

This command is used by the application to redial the last number used in the D command.

### 12.4.2. Syntax

*Action command*

**ATDL**

<last number>

OK

*Read command*

None

*Test command*

None

### 12.4.3. Parameters and Defined Values

|                             |                                                                        |
|-----------------------------|------------------------------------------------------------------------|
| <b>&lt;last number&gt;:</b> | last number dialed followed by ";" for voice calls only<br>string type |
|-----------------------------|------------------------------------------------------------------------|

### 12.4.4. Parameter Storage

None.

### 12.4.5. Examples

| Command                                            | Responses                                                             |
|----------------------------------------------------|-----------------------------------------------------------------------|
| <b>ATDL</b><br><br><i>Note: Redial last number</i> | 0146290800;<br><br>OK<br><br><i>Note: Last call was a voice call.</i> |



## 12.5. Answer a Call A



### 12.5.1. Description

When the product receives a call, it sets the Ring Indicator signal and sends the ASCII "RING" or "+CRING: <type>" string to the application (+CRING if the cellular result code +CRC is enabled). Then it waits for the application to accept the call with the ATA command.

### 12.5.2. Syntax

*Action command*

**ATA**

OK

*Read command*

None

*Test command*

None

### 12.5.3. Parameters and Defined Values

None.

### 12.5.4. Parameter Storage

None.

### 12.5.5. Examples

| Command                                                 | Responses                            |
|---------------------------------------------------------|--------------------------------------|
|                                                         | RING<br><i>Note: Incoming call</i>   |
| <b>ATA</b><br><i>Note: Answer to this incoming call</i> | OK<br><i>Note: Call accepted</i>     |
| <b>ATH</b><br><i>Note: Disconnect call</i>              | OK<br><i>Note: Call disconnected</i> |

## 12.6. Hang-Up Command H



### 12.6.1. Description

The ATH (or ATH0) command is used by the application to disconnect the remote user. In the case of multiple calls, all calls are released (active, on-hold and waiting calls).

The Sierra Wireless proprietary ATH1 command has been added to disconnect the current outgoing call, only in dialing or alerting state (i.e. ATH1 can be used only after the ATD command, and before its terminal response (OK, NO CARRIER, ...)). It can be useful in the case of multiple calls.

### 12.6.2. Syntax

*Action command*

**ATH**[<n>]

OK

*Read command*

None

*Test command*

None

### 12.6.3. Parameters and Defined Values

|                   |                                     |
|-------------------|-------------------------------------|
| <b>&lt;n&gt;:</b> | disconnection type                  |
| 0                 | ask for disconnection               |
| 1                 | ask for outgoing call disconnection |

### 12.6.4. Parameter Storage

None.

### 12.6.5. Examples

| Command                                                         | Responses                                             |
|-----------------------------------------------------------------|-------------------------------------------------------|
| <b>ATH</b><br><i>Note: Ask for call disconnection</i>           | OK<br><i>Note: Every call, if any, are released</i>   |
| <b>ATH1</b><br><i>Note: Ask for outgoing call disconnection</i> | OK<br><i>Note: Outgoing call, if any, is released</i> |

## 12.7. Sierra Wireless Hang-up +WATH



### 12.7.1. Description

This Sierra Wireless proprietary command is used by the application to disconnect the remote user, specifying a release cause and the location. In the case of multiple calls, all calls are released (active, on-hold and waiting calls).

### 12.7.2. Syntax

#### Action command

```
AT+WATH=<RelCause>[,<location>]
```

OK

#### Read command

None

#### Test command

```
AT+WATH=?
```

```
+WATH= (list of supported <RelCause>s), (list of supported <location>s)
```

OK

### 12.7.3. Parameters and Defined Values

|                          |                                                                                                                                                                       |
|--------------------------|-----------------------------------------------------------------------------------------------------------------------------------------------------------------------|
| <b>&lt;RelCause&gt;:</b> | release cause<br>range: 1-127<br>integer value<br>Please refer to section "Failure Cause from 3GPP TS 24.008 recommendation" in the Appendixes chapter of this guide. |
|--------------------------|-----------------------------------------------------------------------------------------------------------------------------------------------------------------------|

|                          |                                                                                     |
|--------------------------|-------------------------------------------------------------------------------------|
| <b>&lt;location&gt;:</b> | release location<br>Please refer to ETSI GSM 24.008 <a href="#">[8]</a> for values. |
|--------------------------|-------------------------------------------------------------------------------------|

|   |      |
|---|------|
| 0 | user |
|---|------|

|   |                                        |
|---|----------------------------------------|
| 1 | private network serving the local user |
|---|----------------------------------------|

|    |                                         |
|----|-----------------------------------------|
| 2  | transit network                         |
| 3  | transit network                         |
| 4  | public network serving the remote user  |
| 5  | private network serving the remote user |
| 7  | international network                   |
| 10 | network beyond inter-working point      |

### 12.7.4. Parameter Storage

None.

### 12.7.5. Examples

| Command                                                                                                                                     | Responses                                          |
|---------------------------------------------------------------------------------------------------------------------------------------------|----------------------------------------------------|
| <b>AT+WATH=?</b>                                                                                                                            | +WATH: (1-127), (0-5, 7, 10)<br>OK                 |
| <b>AT+WATH=31</b><br><i>Note: Ask for disconnection with release cause=normal and location=USER</i>                                         | OK<br><i>Note: All calls, if any, are released</i> |
| <b>AT+WATH=17, 2</b><br><i>Note: Ask for disconnection with release cause=user busy and location= public network serving the local user</i> | OK<br><i>Note: All calls, if any, are released</i> |

## 12.8. Remote disconnection

This message is used by the product to inform the application that an active call has been released by the remote user.

The product sends "**NO CARRIER**" to the application and sets the DCD signal.

In addition, for AOC, the product can release the call if credit has expired (release cause 68 with +CEER command).

## 12.9. Extended Error Report +CEER



### 12.9.1. Description

This command gives the cause of the last error event, which can be the:

- failure in the last unsuccessful call setup (originating or answering) or in call modification
- last call release
- last unsuccessful GPRS attach or unsuccessful PDP context activation
- last GPRS detach or PDP context deactivation

When AirPrime is attached to the GPRS Network after a detach then value of Extended Error Report (CEER) will be reset to 0.

### 12.9.2. Syntax

*Action command*

**AT+CEER**

+CEER: <report>

OK

*Read command*

None

*Test command*

**AT+CEER=?**

OK

### 12.9.3. Parameters and Defined Values

|                        |                                                                                                             |
|------------------------|-------------------------------------------------------------------------------------------------------------|
| <b>&lt;report&gt;:</b> | call release cause (please refer to section "failure cause from 3GPP TS 24.008 recommendation" in Appendix) |
|------------------------|-------------------------------------------------------------------------------------------------------------|

### 12.9.4. Parameter Storage

None.



## 12.9.5. Examples

| Command                                                  | Responses                                                  |
|----------------------------------------------------------|------------------------------------------------------------|
| <b>ATD123456789;</b><br><i>Note: Outgoing voice call</i> | BUSY<br><i>Note: User Busy</i>                             |
| <b>AT+CEER</b><br><br><b>Note: Ask for release cause</b> | +CEER: Error 17<br>OK<br>Note: User Busy                   |
| <b>AT+CGATT=0</b><br><i>Note: GPRS Detach</i>            | OK                                                         |
| <b>AT+CEER</b><br><br><i>Note: Ask for release cause</i> | +CEER: Error 224<br>OK<br><i>Note: MS requested detach</i> |

## 12.10. Automatic Dialing with DTR %Dn



### 12.10.1. Description

This command enables and disables:

- automatic dialing of the phone number stored in the first location of the ADN phonebook (or FDN phonebook, if it is activated using +CLCK command),
- automatic sending of the short message (SMS) stored in the first location of the SIM.

The number is dialed when DTR OFF switches to ON.

The short message is sent when DTR OFF switches to ON.

### 12.10.2. Syntax

#### *Action command*

```
AT%D<n>[ ; ]
```

OK

#### *Read command*

```
AT%D?
```

```
%D: <n>
```

OK

#### *Test command*

None

### 12.10.3. Parameters and Defined Values

|                    |                                                                                                                                                                                                                                                                                    |
|--------------------|------------------------------------------------------------------------------------------------------------------------------------------------------------------------------------------------------------------------------------------------------------------------------------|
| <b>&lt;n&gt;</b> : | automatic dialing mode                                                                                                                                                                                                                                                             |
| 0                  | disables automatic DTR number dialing/message transmission                                                                                                                                                                                                                         |
| 1                  | enables automatic DTR dialing if DTR switches from OFF to ON<br><br>Dials the phone number in the first location of the ADN phonebook (or FDN phonebook, if it is activated using +CLCK command).<br><br>voice call (with semi-colon)<br><br>data or Fax call (without semi-colon) |
| 2                  | activates automatic DTR short message transmission if DTR switches from OFF to ON<br><br>Sends the short message in the first location of the SIM (even if the current selected SMS memory is not SM in +CPMS command).                                                            |
| ;                  | for voice call<br><br>If omitted, the call will be a data or a fax one.                                                                                                                                                                                                            |

### 12.10.4. Parameter Storage

None.

### 12.10.5. Examples

| Command                                                                                                                                                                                             | Responses                                    |
|-----------------------------------------------------------------------------------------------------------------------------------------------------------------------------------------------------|----------------------------------------------|
| <b>AT%D1 ;</b><br><i>Note: Activates DTR voice number dialing</i>                                                                                                                                   | OK<br><i>Note: Command has been executed</i> |
| <i>DTR is OFF</i><br><i>DTR switches ON</i><br><i>Note: The number in the first location of the ADN is dialed automatically</i><br><i>DTR switches OFF</i><br><i>Note: The product goes on-hook</i> | OK                                           |
| <b>AT%D2</b><br><i>Note: Activates DTR short message sending</i>                                                                                                                                    | OK<br><i>Note: Command has been executed</i> |
| <i>DTR is OFF</i><br><i>DTR switches ON</i><br><i>Note: The first short message is sent</i>                                                                                                         | +CMSS: 1                                     |

## 12.10.6. Notes

If the first location is empty:

- AT%D1 and AT%D2 commands will receive an OK response,
- the DTR ON event will trigger a "+CME ERROR: 21" or a "+CMS ERROR: 321".

## 12.11. Automatic Answer S0



### 12.11.1. Description

This command determines and controls the product automatic answering mode.

### 12.11.2. Syntax

*Action command*

**ATS0=<value>**

OK

*Read command*

**ATS0?**

<value>

OK

*Test command*

None

### 12.11.3. Parameters and Defined Values

**<value>:** number of rings before automatic answer (3 characters padded with zeros)  
Values range is 0 to 255 (default value: 000).

### 12.11.4. Parameter Storage

The <value> parameter is stored in EEPROM using AT&W command. The default value can be restored using AT&F.

### 12.11.5. Examples

| Command                                                      | Responses                                                |
|--------------------------------------------------------------|----------------------------------------------------------|
| <b>ATS0=2</b><br><i>Note: Automatic answer after 2 rings</i> | OK                                                       |
| <b>ATS0?</b><br><i>Note: Current value</i>                   | 002<br>OK<br><i>Note: 3 characters padded with zeros</i> |

## 12.12. Incoming Call Bearer +CICB



### 12.12.1. Description

This Sierra Wireless proprietary command is used to set the type of incoming calls when no incoming bearer is specified (see [+CSNS](#)).

---

*Note:* Setting the +CICB command affects the current value of +CSNS.

---

### 12.12.2. Syntax

*Action command*

```
AT+CICB=<mode>
```

```
OK
```

*Read command*

```
AT+CICB?
```

```
+CICB: <mode>
```

```
OK
```

*Test command*

```
AT+CICB=?
```

```
+CICB: (list of supported <mode>s)
```

```
OK
```

### 12.12.3. Parameters and Defined Values

|         |                              |
|---------|------------------------------|
| <mode>: | default incoming call bearer |
| 0       | data                         |
| 1       | fax                          |
| 2       | speech (default value)       |

### 12.12.4. Parameter Storage

The <mode> parameter is stored in EEPROM using AT&W command. The default value can be restored using AT&F.

### 12.12.5. Examples

| Command                                                                    | Responses                                                          |
|----------------------------------------------------------------------------|--------------------------------------------------------------------|
| <b>AT+CICB=2</b><br><i>Note: If no incoming bearer, force a voice call</i> | OK                                                                 |
| <b>AT+CICB?</b><br><i>Note: Get current value</i>                          | +CICB: 2<br>OK<br><i>Note: Default incoming bearer: voice call</i> |
| <b>AT+CICB=?</b><br><i>Note: Test command</i>                              | +CICB: (0-2)<br>OK                                                 |



## 12.13. Single Numbering Scheme +CSNS



### 12.13.1. Description

This command selects the bearer to be used when an MT single numbering scheme call is set up (see [+CICB](#)).

---

*Note:* Setting the +CSNS command affects the current value of +CICB.

---

### 12.13.2. Syntax

*Action command*

**AT+CSNS=<mode>**

OK

*Read command*

**AT+CSNS?**

+CSNS: <mode>

OK

*Test command*

**AT+CSNS=?**

+CSNS: (list of supported <mode>s)

OK

### 12.13.3. Parameters and Defined Values

|                      |                       |
|----------------------|-----------------------|
| <b>&lt;mode&gt;:</b> | bearer to be used     |
| 0                    | voice (default value) |
| 2                    | fax                   |
| 4                    | data                  |

### 12.13.4. Parameter Storage

The <mode> parameter is stored in EEPROM using AT&W command. The default value can be restored using AT&F.

### 12.13.5. Examples

| Command                                             | Responses                                                          |
|-----------------------------------------------------|--------------------------------------------------------------------|
| <b>AT+CSNS=0</b><br><i>Note: Force a voice call</i> | OK                                                                 |
| <b>AT+CSNS?</b><br><i>Note: Get current value</i>   | +CSNS: 0<br>OK<br><i>Note: Default incoming bearer: voice call</i> |
| <b>AT+CSNS=?</b><br><i>Note: Test command</i>       | +CSNS: (0, 2, 4)<br>OK                                             |

## 12.14. Service Reporting Control +CR



### 12.14.1. Description

This command enables a detailed type of service reporting in case of incoming or outgoing data calls. Before sending the CONNECT response to the application, the product will specify the type of data connection which has been set up.

### 12.14.2. Syntax

#### *Action command*

```
AT+CR=<mode>
```

```
OK
```

#### *Read command*

```
AT+CR?
```

```
+CR: <mode>
```

```
OK
```

#### *Test command*

```
AT+CR=?
```

```
+CR: (list of supported <mode>s)
```

```
OK
```

#### *Unsolicited response*

```
+CR: <type>
```

### 12.14.3. Parameters and Defined Values

|                      |           |                              |
|----------------------|-----------|------------------------------|
| <b>&lt;mode&gt;:</b> |           | extended reports activation  |
|                      | 0         | disable (default value)      |
|                      | 1         | enable                       |
| <b>&lt;type&gt;:</b> |           | type of call                 |
|                      | ASYNC     | asynchronous transparent     |
|                      | REL ASYNC | asynchronous non transparent |
|                      | GPRS      | GPRS                         |

### 12.14.4. Parameter Storage

The <mode> parameter is stored in EEPROM using the AT&W command. The default value can be restored using AT&F.

### 12.14.5. Examples

| Command                                                 | Responses                        |
|---------------------------------------------------------|----------------------------------|
| <b>AT+CR=?</b>                                          | +CR: (0,1)<br>OK                 |
| <b>AT+CR=1</b><br><i>Note: Extended reports enabled</i> | OK<br><i>Note: Command valid</i> |
| <b>AT+CR?</b>                                           | +CR: 1<br>OK                     |
| <b>ATD0612345678</b><br><i>Note: CSD data call</i>      | +CR: ASYNC<br>CONNECT 9600       |

## 12.15. Cellular Result Codes +CRC



### 12.15.1. Description

This command allows more detailed ring information for an incoming call (voice or data). Instead of the string "RING", an extended string is used to indicate which type of call is ringing.

### 12.15.2. Syntax

#### *Action command*

```
AT+CRC=<mode>
```

```
OK
```

#### *Read command*

```
AT+CRC?
```

```
+CRC: <mode>
```

```
OK
```

#### *Test command*

```
AT+CRC=?
```

```
+CRC: (list of supported <mode>s)
```

```
OK
```

#### *Unsolicited response*

```
+CRING: <type>[,<PDP_type>[,<PDP_addr>]]
```

### 12.15.3. Parameters and Defined Values

|                          |                                                                                       |
|--------------------------|---------------------------------------------------------------------------------------|
| <b>&lt;mode&gt;:</b>     | extended ring information mode                                                        |
| 0                        | disable (default value)                                                               |
| 1                        | enable                                                                                |
| <b>&lt;type&gt;:</b>     | detailed ring information                                                             |
| ASYNC                    | asynchronous transparent                                                              |
| REL ASYNC                | asynchronous non transparent                                                          |
| VOICE                    | voice                                                                                 |
| FAX                      | fax                                                                                   |
| GPRS                     | GPRS network request for PDP context activation                                       |
| <b>&lt;PDP_type&gt;:</b> | type of packet data protocol                                                          |
| "IP"                     | Internet Protocol (IETF STD 5)                                                        |
| "PPP"                    | Point to Point Protocol (IETF STD 51)                                                 |
| <b>&lt;PDP_addr&gt;:</b> | PDP address: identifies the MT in the address space applicable to the PDP string type |

### 12.15.4. Parameter Storage

The <mode> parameter is stored in EEPROM using the AT&W command. The default value can be restored using AT&F.

### 12.15.5. Examples

| Command                                           | Responses                                         |
|---------------------------------------------------|---------------------------------------------------|
| AT+CRC=?                                          | +CRC: (0,1)<br>OK                                 |
| AT+CRC=1<br><i>Note: Extended reports enabled</i> | OK<br><i>Note: Command valid</i>                  |
| AT+CRC?                                           | +CRC: 1<br>OK                                     |
|                                                   | +CRING: VOICE<br><i>Note: Incoming voice call</i> |

## >> | 13. Data Commands

### 13.1. Using AT Commands during a data connection

To use AT commands during a data connection (e.g. while the product is in online mode), it is necessary to switch to offline mode.

- Switch from online to offline mode

To switch from online mode to offline mode, the "+++" sequence must be sent. Following this, the product gets back to offline mode with an "OK" response, and a AT command can be sent. This "+++" sequence must be sent with a guard time of 1s before and after the sequence.

---

*Note:* The "+++" sequence will only work with the +ICF command using one of the following settings:  
- 8 data bits, with no parity  
- 7 data bits, with even parity

---

- Switch from offline to online mode

Please refer to the "O" command description.

## 13.2. Bearer Type Selection +CBST



### 13.2.1. Description

This command allows to select a bearer type for outgoing and incoming data calls.

### 13.2.2. Syntax

#### Action command

```
AT+CBST=[<speed>] [, [<name>] [, <ce>]]
```

OK

#### Read command

```
AT+CBST?
```

```
+CBST: <speed>, <name>, <ce>
```

OK

#### Test command

```
AT+CBST=?
```

```
+CBST: (list of supported <speed>s), (list of supported <name>s), (list of supported <ce>s)
```

OK

### 13.2.3. Parameters and Defined Values

|                       |                                                            |
|-----------------------|------------------------------------------------------------|
| <b>&lt;speed&gt;:</b> | data call connection speed<br>used only for outgoing calls |
| 0                     | autobauding, modem type: none (default value)              |
| 1                     | 300 bps, modem type: V.21                                  |
| 2                     | 1200 bps, modem type: V.22                                 |
| 3                     | 1200/75 bps, modem type: V.23                              |
| 4                     | 2400 bps, modem type: V.22bis                              |



|                      |                                                                                         |
|----------------------|-----------------------------------------------------------------------------------------|
| 5                    | 2400 bps, modem type: V.26ter                                                           |
| 6                    | 4800 bps, modem type: V.32                                                              |
| 7                    | 9600 bps, modem type: V.32                                                              |
| 8                    | specific                                                                                |
| 12                   | 9600 bps, modem type: V.34                                                              |
| 14                   | 14400 bps, modem type: V.34                                                             |
| 65                   | 300 bps, modem type: V.110                                                              |
| 66                   | 1200 bps, modem type: V.110                                                             |
| 68                   | 2400 bps, modem type: V.110                                                             |
| 70                   | 4800 bps, modem type: V.110                                                             |
| 71                   | 9600 bps, modem type: V.110                                                             |
| 75                   | 14400 bps, modem type: V.110                                                            |
| <b>&lt;name&gt;:</b> | operating mode                                                                          |
| 0                    | no data compression is provided and only asynchronous mode is supported (default value) |
| <b>&lt;ce&gt;:</b>   | connection element                                                                      |
| 0                    | transparent only                                                                        |
| 1                    | non transparent only (default value)                                                    |
| 2                    | transparent preferred                                                                   |
| 3                    | non transparent preferred                                                               |

### 13.2.4. Parameter Storage

All parameters are stored in EEPROM using the AT&W command. The default value can be restored using AT&F.

### 13.2.5. Examples

| Command                                                  | Responses                                                 |
|----------------------------------------------------------|-----------------------------------------------------------|
| <b>AT+CBST=?</b>                                         | +CBST: (0-8,12,14,65,66,68,70,71,75),<br>(0), (0-3)<br>OK |
| <b>AT+CBST=7,0,1</b><br><i>Note: No error correction</i> | OK                                                        |
| <b>AT+CBST?</b><br><i>Note: Current values</i>           | +CBST: 7,0,1<br>OK                                        |

### 13.2.6. Notes

For incoming calls, if <ce> is set to "Transparent only" and the network offers only "Non Transparent" or vice versa, then the call is released.

<ce> parameter values 2 and 3 are equivalent to former values 100 and 101. These values are managed for compatibility purposes, but they may not be used in new code (2 as former 100, and 3 as former 101).

## 13.3. DTE-DCE Local Rate Reporting +ILRR



### 13.3.1. Description

This command controls whether a +ILRR unsolicited response is sent to the application with the current (negotiated or renegotiated) DTE-DCE speed rate.

If enabled, the unsolicited result code is transmitted in an incoming or outgoing data call, after any data compression report, and before any connection indication (CONNECT).

### 13.3.2. Syntax

#### *Action command*

```
AT+ILRR=<value>
```

```
OK
```

#### *Read command*

```
AT+ILRR?
```

```
+ILRR: <value>
```

```
OK
```

#### *Test command*

```
AT+ILRR=?
```

```
+ILRR: (list of supported <value>s)
```

```
OK
```

#### *Unsolicited response*

```
+ILRR: <rate>
```

### 13.3.3. Parameters and Defined Values

|                       |        |                                                                          |
|-----------------------|--------|--------------------------------------------------------------------------|
| <b>&lt;value&gt;:</b> |        | local port rate report                                                   |
|                       | 0      | disable (default value)                                                  |
|                       | 1      | enable                                                                   |
| <b>&lt;rate&gt;:</b>  |        | current (negotiated or renegotiated) DTE-DCE speed rate<br>values in bps |
|                       | 300    |                                                                          |
|                       | 600    |                                                                          |
|                       | 1200   |                                                                          |
|                       | 2400   |                                                                          |
|                       | 4800   |                                                                          |
|                       | 9600   |                                                                          |
|                       | 19200  |                                                                          |
|                       | 38400  |                                                                          |
|                       | 57600  |                                                                          |
|                       | 115200 |                                                                          |
|                       | 230400 |                                                                          |
|                       | 460800 |                                                                          |
|                       | 921600 |                                                                          |

### 13.3.4. Parameter Storage

The <value> parameter is stored in EEPROM using the AT&W command. The default value can be restored using AT&F.

### 13.3.5. Examples

| Command                                                          | Responses                                                     |
|------------------------------------------------------------------|---------------------------------------------------------------|
| <b>AT+ILRR=?</b>                                                 | +ILRR: (0,1)<br>OK                                            |
| <b>AT+ILRR=0</b><br><i>Note: Local port rate report disabled</i> | OK<br><i>Note: Command valid</i>                              |
| <b>AT+ILRR=1</b><br><i>Note: Local port rate report enabled</i>  | OK<br><i>Note: Command valid</i>                              |
| <b>AT+ILRR?</b>                                                  | +ILRR: 1<br>OK                                                |
| <b>ATD0123456789</b><br><i>Note: CSD call</i>                    | +ILRR: 9600<br>CONNECT 9600<br><i>Note: Data rate is 9600</i> |

### 13.3.6. Notes

The +ILRR indication is displayed on the data window.

## 13.4. Radio Link Protocol Parameters +CRLP



### 13.4.1. Description

This command modifies the radio link protocol parameters used for non transparent data transmission.

### 13.4.2. Syntax

#### *Action command*

```
AT+CRLP=[<iws>] [, [<mws>] [, [<T1>] [, [<N2>] [, [<ver>]]]]
```

OK

#### *Read command*

```
AT+CRLP?
```

```
+CRLP: <iws>, <mws>, <T1>, <N2>, <ver>
```

OK

#### *Test command*

```
AT+CRLP=?
```

```
+CRLP: (list of supported <iws>s), (list of supported <mws>s), (list of supported  
<T1>s), (list of supported <N2>s), (list of supported <ver>s)
```

OK

### 13.4.3. Parameters and Defined Values

|                     |                                                                              |
|---------------------|------------------------------------------------------------------------------|
| <b>&lt;iws&gt;:</b> | down window size<br>range: 0-61 (default value: 61)                          |
| <b>&lt;mws&gt;:</b> | up window size<br>range: 0-61 (default value: 61)                            |
| <b>&lt;T1&gt;:</b>  | acknowledgement timer in units of 10 ms<br>range: 40-255 (default value: 48) |
| <b>&lt;N2&gt;:</b>  | retransmission attempts<br>range: 1-255 (default value 6)                    |
| <b>&lt;ver&gt;:</b> | RLP version number                                                           |
| 0                   | V42bis not supported                                                         |
| 1                   | V42bis supported (default value)                                             |

### 13.4.4. Parameter Storage

Parameters are stored in EEPROM using the AT&W command. The default value can be restored using AT&F.

### 13.4.5. Examples

| Command                                                                | Responses                                             |
|------------------------------------------------------------------------|-------------------------------------------------------|
| <b>AT+CRLP=?</b>                                                       | +CRLP: (0-61), (0-61), (40-255), (1-255), (0,1)<br>OK |
| <b>AT+CRLP=61, 61, 48, 6, 0</b><br><br><i>Note: Set new parameters</i> | OK                                                    |
| <b>AT+CRLP?</b>                                                        | +CRLP: 61, 61, 48, 6, 0<br>OK                         |

## 13.5. Other Radio Link Parameters +DOPT



### 13.5.1. Description

This Sierra Wireless proprietary command modifies additional radio link protocol parameters.

### 13.5.2. Syntax

*Action command*

```
AT+DOPT=[<reset_allowed>][,<dtx_allowed>]
```

OK

*Read command*

```
AT+DOPT?
```

```
<reset_allowed>,<dtx_allowed>
```

OK

*Test command*

```
AT+DOPT=?
```

```
(list of supported <reset_allowed>s), (list of supported <dtx_allowed>s)
```

OK

### 13.5.3. Parameters and Defined Values

|                               |                                                                                                                  |
|-------------------------------|------------------------------------------------------------------------------------------------------------------|
| <b>&lt;reset_allowed&gt;:</b> | behaviour in case of bad radio link                                                                              |
| 0                             | data communication is hung up in case of bad radio link                                                          |
| 1                             | data communication is held, even if the radio link is bad; there is a possibility of losing data (default value) |
| <b>&lt;dtx_allowed&gt;:</b>   | power mode                                                                                                       |
| 0                             | normal mode                                                                                                      |
| 1                             | economic battery mode, not supported by all networks (default value)                                             |



### 13.5.4. Parameter Storage

Parameters are stored in EEPROM using the AT&W command. The default value can be restored using AT&F.

### 13.5.5. Examples

| Command                                                      | Responses           |
|--------------------------------------------------------------|---------------------|
| <b>AT+DOPT=?</b>                                             | (0,1) , (0,1)<br>OK |
| <b>AT+DOPT=1</b><br><i>Note: Second parameter is omitted</i> | OK                  |
| <b>AT+DOPT=1,1</b><br><i>Note: Set new parameters</i>        | OK                  |
| <b>AT+DOPT?</b>                                              | 1,1<br>OK           |
| <b>AT+DOPT=,0</b><br><i>Note: First parameter is omitted</i> | OK                  |

## 13.6. Select Mode +FCLASS



### 13.6.1. Description

This command sets the product to a particular operating mode (data or fax).

### 13.6.2. Syntax

*Action command*

```
AT+FCLASS=<n>
```

OK

*Read command*

```
AT+FCLASS?
```

```
+FCLASS: <n>
```

OK

*Test command*

```
AT+FCLASS=?
```

```
+FCLASS: (list of supported <n>s)
```

OK

### 13.6.3. Parameters and Defined Values

|      |                      |
|------|----------------------|
| <n>: | operating mode       |
| 0    | data (default value) |
| 1    | fax class 1          |
| 2    | fax class 2          |

### 13.6.4. Parameter Storage

None.

### 13.6.5. Examples

| Command                                                                  | Responses                                                                           |
|--------------------------------------------------------------------------|-------------------------------------------------------------------------------------|
| <p><b>AT+FCLASS=?</b></p> <p><i>Note: Test command</i></p>               | <p>+FCLASS: (0,1,2)</p> <p>OK</p> <p><i>Note: All operating modes supported</i></p> |
| <p><b>AT+FCLASS=1</b></p> <p><i>Note: Fax class 1 mode requested</i></p> | <p>OK</p> <p><i>Note: Command valid</i></p>                                         |
| <p><b>AT+FCLASS?</b></p> <p><i>Note: Current value</i></p>               | <p>+FCLASS: 1</p> <p>OK</p> <p><i>Note: Command valid</i></p>                       |

## 13.7. Select Data Compression %C



### 13.7.1. Description

This command enables or disables data compression negotiation.

### 13.7.2. Syntax

*Action command*

**AT%C [<n>]**

OK

*Read command*

**AT%C?**

<n>

OK

*Test command*

*None*

### 13.7.3. Parameters and Defined Values

|                   |                                |
|-------------------|--------------------------------|
| <b>&lt;n&gt;:</b> | compression mode               |
| 0                 | no compression (default value) |
| 2                 | V42 compression if supported   |

### 13.7.4. Parameter Storage

<n> is stored in EEPROM using the AT&W command. The default value can be restored using AT&F.

### 13.7.5. Examples

| Command | Responses |
|---------|-----------|
| AT%C2   | OK        |
| AT%C?   | 2<br>OK   |

## 13.8. V42 Bis Data Compression +DS



### 13.8.1. Description

This command enables or disables V42bis data compression. Note that the product only allows the MNP2 protocol.

### 13.8.2. Syntax

*Action command*

```
AT+DS=[<dir>] [, [<neg>] [, [<P1>] [, [<P2>]]]]
```

OK

*Read command*

```
AT+DS?
```

```
+DS: <dir>, <neg>, <P1>, <P2>
```

OK

*Test command*

```
AT+DS=?
```

```
+DS: (list of supported <dir>s), (list of supported <neg>s), (list of supported <P1>s), (list of supported <P2>s)
```

OK

### 13.8.3. Parameters and Defined Values

|                     |                                                                                                |
|---------------------|------------------------------------------------------------------------------------------------|
| <b>&lt;dir&gt;:</b> | desired direction(s) of operation for the data compression feature, from the DTE point of view |
| 0                   | negotiated                                                                                     |
| 1                   | transmit only                                                                                  |
| 2                   | receive only                                                                                   |
| 3                   | both directions, accept any direction (default value)                                          |

|                     |                                                                                                       |
|---------------------|-------------------------------------------------------------------------------------------------------|
| <b>&lt;neg&gt;:</b> | specifies whether the DCE may continue to operate or not if the desired result is not obtained        |
| 0                   | do not disconnect if V42bis is not negotiated by the remote DCE as specified in <dir> (default value) |
| 1                   | disconnect if V42bis is not negotiated by the remote DCE as specified in <dir>                        |
| <b>&lt;P1&gt;:</b>  | maximum number of dictionary entries that may be negotiated<br>range: 512-2048 (default value: 2048)  |
| <b>&lt;P2&gt;:</b>  | maximum string length to be negotiated<br>range: 6-250 (default value: 20)                            |

### 13.8.4. Parameter Storage

All parameters are stored in EEPROM using the AT&W command. The default value can be restored using AT&F.

### 13.8.5. Examples

| Command                                                      | Responses                                    |
|--------------------------------------------------------------|----------------------------------------------|
| <b>AT+DS=?</b>                                               | +DS: (0-3), (0,1), (512-2048), (6-250)<br>OK |
| <b>AT+DS=3,0,2048,250</b><br><i>Note: Set new parameters</i> | OK                                           |
| <b>AT+DS?</b>                                                | +DS: 3,0,2048,250<br>OK                      |

## 13.9. V42 Bis Data Compression Report +DR



### 13.9.1. Description

This command enables/disables the +DR intermediate result code that represents the current DCE-DCE data compression type. This intermediate result code, if enabled, is issued before the final result code, after the service report control +CR and before the +ILRR intermediate report.

### 13.9.2. Syntax

#### *Action command*

```
AT+DR=<status>
```

```
OK
```

#### *Read command*

```
AT+DR?
```

```
+DR: <status>
```

```
OK
```

#### *Test command*

```
AT+DR=?
```

```
+DR: (list of supported <status>s)
```

```
OK
```

#### *Intermediate response*

```
+DR: <direction>
```



### 13.9.3. Parameters and Defined Values

|                           |                               |                                             |
|---------------------------|-------------------------------|---------------------------------------------|
| <b>&lt;status&gt;:</b>    | status fo the V42bis use      |                                             |
|                           | 0                             | disabled (default value)                    |
|                           | 1                             | Enabled                                     |
| <b>&lt;direction&gt;:</b> | DCE-DCE data compression type |                                             |
|                           | NONE                          | data compression is not in use              |
|                           | V42B                          | V42bis is in use in both directions         |
|                           | V42B RD                       | V42bis is in use in receive direction only  |
|                           | V42B TD                       | V42bis is in use in transmit direction only |

### 13.9.4. Parameter Storage

The <status> parameter is stored in EEPROM using the AT&W command. The default value can be restored using AT&F.

### 13.9.5. Examples

| Command                                                     | Responses                 |
|-------------------------------------------------------------|---------------------------|
| <b>AT+DR=?</b>                                              | +DR: (0,1)<br>OK          |
| <b>AT+DR=1</b><br><br><i>Note: Reporting enabled</i>        | OK                        |
| <b>AT+DR?</b>                                               | +DR: 1<br>OK              |
| <b>ATD0123456789</b><br><br><i>Note: outgoing data call</i> | +DR: V42B<br>CONNECT 9600 |

## 13.10. Select Data Error Correcting Mode \N



### 13.10.1. Description

This command controls the preferred error correcting mode for a data connection. It can only be used for transparent data transmission.

### 13.10.2. Syntax

*Action command*

```
AT\N[<n>]
```

OK

*Read command*

```
AT\N?
```

<n>

OK

*Test command*

None

### 13.10.3. Parameters and Defined Values

|      |                                                |
|------|------------------------------------------------|
| <n>: | error correction mode                          |
| 0    | disables error correcting mode (default value) |
| 5    | selects MNP error correcting mode              |

### 13.10.4. Parameter Storage

The <n> parameter is stored in EEPROM using the AT&W command. The default value can be restored using AT&F.

### 13.10.5. Examples

| Command                                   | Responses |
|-------------------------------------------|-----------|
| AT\N0<br><i>Note: No error correction</i> | OK        |
| AT\N?                                     | 0<br>OK   |

### 13.10.6. Notes

+E prefixed V25ter commands are not used.

## >> 14. GPRS Commands

### 14.1. GPRS Mobile Station Class +CGCLASS



#### 14.1.1. Description

This command is used to set the MT to operate according to the specified GPRS mobile class.

---

*Note:* Class A is only for 3G product.

---

#### 14.1.2. Syntax

*Action command*

```
AT+CGCLASS=<class>
```

```
OK
```

*Read command*

```
AT+CGCLASS?
```

```
+CGCLASS: <class>
```

```
OK
```

*Test command*

```
AT+CGCLASS=?
```

```
+CGCLASS: (list of supported <class>s)
```

```
OK
```

### 14.1.3. Parameters and Defined Values

|                       |                                                          |
|-----------------------|----------------------------------------------------------|
| <b>&lt;class&gt;:</b> | GPRS mobile class (in descending order of functionality) |
| "A"                   | class A in 3G only mode                                  |
| "B"                   | class B                                                  |
| "CG"                  | class C in GPRS only mode                                |
| "CC"                  | class C in circuit switched only mode (lowest)           |

### 14.1.4. Parameter Storage

The parameters are stored in EEPROM without using the AT&W command.

### 14.1.5. Examples

| Command                                               | Responses                         |
|-------------------------------------------------------|-----------------------------------|
| <b>AT+CGCLASS=?</b>                                   | +CGCLASS: ("CG", "CC", "B")<br>OK |
| <b>AT+CGCLASS="CC"</b><br><i>Note: Enter GSM mode</i> | OK                                |
| <b>AT+CGCLASS?</b>                                    | +CGCLASS: "CC"<br>OK              |

### 14.1.6. Notes

If the MT is GPRS attached, when the action command is issued with a <class>="CC" specified, a GPRS detach request is sent to the network.

If the MT is GSM attached, when the action command is issued with a <class>="CG" specified, a GSM detach request is sent to the network.

During switch-On in CG class, the MS always performs an automatic GPRS attach (the ATTACH-STATUS parameter of +WGPRS is ignored).

If the MS is not already GPRS attached, when switching from B/CC class to CG class then no automatic GPRS attach is performed.

---

*Note:* Only class A is supported on AirPrime SL808xT and Q2698 embedded modules.

---

## 14.2. GPRS parameters customization: +WGPRS



### 14.2.1. Description

This Sierra Wireless proprietary command modifies some Sierra Wireless GPRS parameters:

- the ATTACH-STATUS (the ME does or not perform automatically a GPRS attachment after initialization),
- the PDP-INIT-STATUS (activates automatically or not some defined PDP contexts after initialization),
- the user-defined multislot class. This parameter represents the GPRS or EGPRS class chosen by the user to perform power saving (by reducing TX /uplink time slots).

In addition, this command allows to:

- set automatically "ACTIVABLE" some defined PDP contexts after initialization,
- set some parameters for PALM® OS software: PPP Silent Mode,
- return network technology capabilities, such as GPRS/EGPRS for GERAN or HSDPA/HSUPA for UTRAN, on the registered network.

(PPP waits for PPP Client to start the dialog) and Slow CONNECT (due to the delay of the processing of PALM® OS, the CONNECT is sent one second after the dialing command request)

The Sierra Wireless embedded module must be rebooted to activate the new setup except for <mode> 3, 5, 6 and 7 (please refer to section 14.2.3, "Defined Values" paragraph).

When the GPRS/EGPRS/HSDPA/HSUPA network technology capability and (modulation &) coding scheme indication is enabled (with + WGPRS AT command), under the following conditions, an unsolicited response +WGPRSIND will be returned by the embedded module:

- each time GPRS or EGPRS technologies availability is detected on the used network, even if the Sierra Wireless embedded modules is only GPRS capable
- each time HSDPA or HSUPA technology availability is detected on the used network due to intra PLMN handover (UMTS<->GSM) or inter system handover (for 3G supported embedded module only)
- the (modulation &) coding scheme used at the beginning of each transfer (for GPRS/EGPRS technology only)
- each time the (modulation &) coding scheme are modified during the transfer (for GPRS/EGPRS technology only)

## 14.2.2. Syntax

- For <mode>=9, <parameter>=1:

### Action command

```
AT+WGPRS=<mode>[, [<parameter>] [, <parameter2>]]
```

```
OK
```

- For <mode>=9, <parameter>=2:

### Action command

```
AT+WGPRS=<mode>[, [<parameter>] [, <parameter2>]]
```

```
+WGPRSIND: <techno>[, [<up_cs_ts0>], [<up_cs_ts1>], [<up_cs_ts2>],  
[<up_cs_ts3>], [<up_cs_ts4>], [<up_cs_ts5>], [<up_cs_ts6>],  
[<up_cs_ts7>], [<down_cs_ts0>], [<down_cs_ts1>], [<down_cs_ts2>],  
[<down_cs_ts3>], [<down_cs_ts4>], [<down_cs_ts5>], [<down_cs_ts6>],  
[<down_cs_ts7>]]
```

```
OK
```

- For all other cases:

### Action command

```
AT+WGPRS=<mode>[, [<parameter>] [, [<cid>], [<class>]]]
```

```
OK
```

### Read command

```
AT+WGPRS?
```

```
+WGPRS: <mode>[, <response>[, <cid>]]  
[+WGPRS: <mode>[, <response>[, <cid>]] [...]]
```

```
OK
```

### Test command

```
AT+WGPRS=?
```

```
+WGPRS: (list of supported <mode>s), (list of supported <parameter>s), (list of  
supported <cid>s), (list of supported <class>s)
```

```
OK
```

*Unsolicited response*

```
+WGPRSIND: <techno>[, [<up_cs_ts0>], [<up_cs_ts1>], [<up_cs_ts2>],
[<up_cs_ts3>], [<up_cs_ts4>], [<up_cs_ts5>], [<up_cs_ts6>],
[<up_cs_ts7>], [<down_cs_ts0>], [<down_cs_ts1>], [<down_cs_ts2>],
[<down_cs_ts3>], [<down_cs_ts4>], [<down_cs_ts5>], [<down_cs_ts6>],
[<down_cs_ts7>]]
```

### 14.2.3. Parameters and Defined Values

| <mode>: | Sierra Wireless GPRS parameter                                                                                                                                                                           |
|---------|----------------------------------------------------------------------------------------------------------------------------------------------------------------------------------------------------------|
| 0       | ATTACH-STATUS (the ME DOES NOT perform automatically a GPRS attachment after initialization)<br>only <parameter> is used                                                                                 |
| 1       | PDP-INIT-STATUS (declares some PDP contexts liable to be activated automatically after initialization by <mode>=2)<br>only <parameter> is used                                                           |
| 2       | sets ACTIVABLE automatically after init a define PDP context<br>only <parameter> and <cid> are used                                                                                                      |
| 3       | PPP silent mode (PPP waits for PPP Client to start the dialog)<br>only <parameter> is used                                                                                                               |
| 4       | definition of the GPRS multislots class. This parameter represents the GPRS or EGPRS class chosen by the user to perform power saving (by reducing TX /uplink time slots).<br>only <class> is used       |
| 5       | Slow CONNECT for PALM® OS (due to the delay of the processing of PALM® OS, the CONNECT is sent one second after the dialing command request)<br>only <parameter> is used                                 |
| 6       | PPP Filtering<br>only <parameter> is used                                                                                                                                                                |
| 7       | Automatic GPRS roaming inter-operator (ME automatically reattaches itself to the network and reactivates its PDP context by changing of operator when reaching border areas)<br>only <parameter> is used |
| 8       | Definition of the EGPRS multislots class (available for EGPRS compatible Sierra Wireless embedded modules)<br>only <class> is used                                                                       |
| 9       | GPRS/EGPRS/HSDPA/HSUPA network technology capability indication or together with (modulation &) coding scheme indication                                                                                 |



|                            |                                                                                                                                                                                                                                                    |
|----------------------------|----------------------------------------------------------------------------------------------------------------------------------------------------------------------------------------------------------------------------------------------------|
| <b>&lt;parameter&gt;:</b>  | requested operation for <mode> (except for <mode>=4 and 8)                                                                                                                                                                                         |
| 0                          | disabled                                                                                                                                                                                                                                           |
| 1                          | enabled                                                                                                                                                                                                                                            |
| 2                          | for <mode>=9 only<br>read GPRS/EGPRS network technology capability or together with (modulation &) coding scheme<br>UTRAN: read HSDPA/HSUPA network technology capability                                                                          |
| <b>&lt;parameter2&gt;:</b> | requested kind of information for <mode>=9 and <parameter>=1 or 2<br>If omitted, the value will be set to 0                                                                                                                                        |
| 0                          | enable only GPRS/EGPRS/HSDPA/HSUPA network capability indication                                                                                                                                                                                   |
| 1                          | enable GPRS/EGPRS network capability and (modulation &) coding scheme indication                                                                                                                                                                   |
| 2                          | read GPRS/EGPRS network technology capability or together with (modulation &) coding scheme                                                                                                                                                        |
| <b>&lt;cid&gt;:</b>        | PDP context identifier<br>range: 1-4<br>integer type                                                                                                                                                                                               |
| <b>&lt;class&gt;:</b>      | GPRS or EGPRS multislot class number. Please refer to [6] and table in "Notes" section for more information                                                                                                                                        |
| 0                          | deactivate EGPRS mode (in order to establish GPRS TBF)<br>only available for EGPRS enabled embedded modules and <mode>=8                                                                                                                           |
| 2                          | multislot class 2                                                                                                                                                                                                                                  |
| 8                          | multislot class 8                                                                                                                                                                                                                                  |
| 10                         | multislot class 10                                                                                                                                                                                                                                 |
| <b>&lt;response&gt;:</b>   | This parameter is returned in "AT+WGPRS?" response. <ul style="list-style-type: none"> <li>• for &lt;mode&gt;=0,1,2,3,5,6 and 7: &lt;response&gt;=&lt;parameter&gt;</li> <li>• for &lt;mode&gt;=4 and 8: &lt;response&gt;=&lt;class&gt;</li> </ul> |
| <b>&lt;techno&gt;:</b>     | technologies available on the used network                                                                                                                                                                                                         |

|                                                                                                                                                      |    |                                           |
|------------------------------------------------------------------------------------------------------------------------------------------------------|----|-------------------------------------------|
|                                                                                                                                                      | 0  | neither GPRS nor EGPRS features supported |
|                                                                                                                                                      | 1  | only GPRS feature supported               |
|                                                                                                                                                      | 2  | EGPRS feature supported                   |
|                                                                                                                                                      | 3  | 3G Release 99 supported                   |
| •                                                                                                                                                    | 4  | HSDPA supported                           |
| •                                                                                                                                                    | 5  | HSUPA supported                           |
| •                                                                                                                                                    | 6  | HSUPA and HSDPA supported                 |
| <b>&lt;up_cs_tsX&gt;:</b> coding scheme (CS) or modulation & coding scheme (MCS) used in uplink for each timeslot. Applicable to GPRS and EGPRS only |    |                                           |
|                                                                                                                                                      | 0  | CS1 (GPRS)                                |
|                                                                                                                                                      | 1  | CS2 (GPRS)                                |
|                                                                                                                                                      | 2  | CS3 (GPRS)                                |
|                                                                                                                                                      | 3  | CS4 (GPRS)                                |
|                                                                                                                                                      | 4  | MCS1 (EGPRS)                              |
|                                                                                                                                                      | 5  | MCS2 (EGPRS)                              |
|                                                                                                                                                      | 6  | MCS3 (EGPRS)                              |
|                                                                                                                                                      | 7  | MCS4 (EGPRS)                              |
|                                                                                                                                                      | 8  | MCS5 (EGPRS)                              |
|                                                                                                                                                      | 9  | MCS6 (EGPRS)                              |
|                                                                                                                                                      | 10 | MCS7 (EGPRS)                              |
|                                                                                                                                                      | 11 | MCS8 (EGPRS)                              |
|                                                                                                                                                      | 12 | MCS9 (EGPRS)                              |

|                              |                                                                                                                              |
|------------------------------|------------------------------------------------------------------------------------------------------------------------------|
| <b>&lt;down_cs_tsX&gt;</b> : | coding scheme (CS) or modulation & coding scheme (MCS) used in downlink for each timeslot. Applicable to GPRS and EGPRS only |
| 0                            | CS1 (GPRS)                                                                                                                   |
| 1                            | CS2 (GPRS)                                                                                                                   |
| 2                            | CS3 (GPRS)                                                                                                                   |
| 3                            | CS4 (GPRS)                                                                                                                   |
| 4                            | MCS1 (EGPRS)                                                                                                                 |
| 5                            | MCS2 (EGPRS)                                                                                                                 |
| 6                            | MCS3 (EGPRS)                                                                                                                 |
| 7                            | MCS4 (EGPRS)                                                                                                                 |
| 8                            | MCS5 (EGPRS)                                                                                                                 |
| 9                            | MCS6 (EGPRS)                                                                                                                 |
| 10                           | MCS7 (EGPRS)                                                                                                                 |
| 11                           | MCS8 (EGPRS)                                                                                                                 |
| 12                           | MCS9 (EGPRS)                                                                                                                 |

#### 14.2.4. Parameter Storage

The <cid> and <class> parameters are stored in EEPROM without using the AT&W command.

The unsolicited network availability and (modulation &) coding scheme indication configuration is not stored in EEPROM, even when using AT&W command.

## 14.2.5. Examples

| Command                                                                                                                                                  | Responses                                                                                                                                                                                   |
|----------------------------------------------------------------------------------------------------------------------------------------------------------|---------------------------------------------------------------------------------------------------------------------------------------------------------------------------------------------|
| <b>AT+WGPRS=?</b><br><i>Note: Request ranges of values for a GPRS compatible Sierra Wireless embedded module</i>                                         | +WGPRS: (0-7,9), (0-2), (0-4), (2,8,10)<br>OK                                                                                                                                               |
| <b>AT+WGPRS=?</b><br><i>Note: Request ranges of values for an EGPRS compatible Sierra Wireless embedded module</i>                                       | +WGPRS: (0-9), (0-2), (0-4), (0,2,8,10)<br>OK                                                                                                                                               |
| <b>AT+WGPRS=2,1,3</b><br><i>Note: Set &lt;cid&gt;=3 to be automatically activated after initialization</i>                                               | OK                                                                                                                                                                                          |
| <b>AT+WGPRS=7,1</b><br><i>Note: Set automatic re-attachment to the network and reactivation of PDP context in case of change of operator for MCC/MNC</i> | OK                                                                                                                                                                                          |
| <b>AT+WGPRS=4,,8</b><br><i>Note: Choose GPRS multislot class 8</i>                                                                                       | OK                                                                                                                                                                                          |
| <b>AT+WGPRS=8,,10</b><br><i>Note: Choose EGPRS multislot class 10 for an EGPRS compatible Sierra Wireless embedded module</i>                            | OK                                                                                                                                                                                          |
| <b>AT+WGPRS=9,2</b><br><i>Note: Read the GPRS/EGPRS/HSDPA/HSUPA network technology capability indication</i>                                             | +WGPRSIND: 0<br>OK<br><i>Note: Neither GPRS nor EGPRS features supported</i>                                                                                                                |
| <b>AT+WGPRS=9,2</b><br><i>Note: Read the GPRS/EGPRS/HSDPA/HSUPA network technology capability indication</i>                                             | +WGPRSIND: 3<br>OK<br><i>Note: Neither HSDPA nor HSUPA supported (3G R99 only)</i>                                                                                                          |
| <b>AT+WGPRS=9,1</b><br><i>Note: Activate GPRS/EGPRS/HSDPA/HSUPA network technology capability indication</i>                                             | OK                                                                                                                                                                                          |
|                                                                                                                                                          | +WGPRSIND: 1<br><i>Note: Immediate unsolicited response after activation</i><br>+WGPRSIND: 2<br><i>Note: Immediate unsolicited response after the network technology capability changed</i> |
| <b>AT+WGPRS=9,1,1</b><br><i>Note: Activate GPRS/EGPRS network technology capability and (modulation &amp;) coding schemes indication</i>                 | OK                                                                                                                                                                                          |

| Command                                                                                                                               | Responses                                                                                                                                                                                                                                                                                                                                                                                                                                                                                                                                                                  |
|---------------------------------------------------------------------------------------------------------------------------------------|----------------------------------------------------------------------------------------------------------------------------------------------------------------------------------------------------------------------------------------------------------------------------------------------------------------------------------------------------------------------------------------------------------------------------------------------------------------------------------------------------------------------------------------------------------------------------|
| <p><i>Note: EGPRS capabilities detected and changed</i></p>                                                                           | <p>+WGPRSIND: 1,,,,,,,,,,,,,</p> <p>+WGPRSIND: 2,,,,,,,,,,,,,</p> <p><i>Note: Immediate unsolicited response after the network technology capability changed</i></p>                                                                                                                                                                                                                                                                                                                                                                                                       |
| <p><b>AT+CGDCONT=1,"IP","internet"</b></p> <p><b>ATD*99***1#</b></p> <p><i>Note: Request the GPRS IP service</i></p>                  | <p>OK</p> <p>+WGPRSIND: 2,,,,,,,,,,,,,7,0</p> <p>+WGPRSIND: 2,,,,,,0,,,,,,7,0</p> <p>+WGPRSIND: 2,,,,,,0,,,,,,4,0</p> <p>...</p> <p>+WGPRSIND: 2,,,,,,7,,,,,9,10,9,0</p> <p>+WGPRSIND: 2,,,,,,7,,,,,0,0,0,10</p> <p>+WGPRSIND: 2,,,,,,0,,,,,0,0,0,10</p> <p>+WGPRSIND: 2,,,,,,0,,,,,9,9,9,9</p> <p>...</p> <p>+WGPRSIND: 2,,,,,0,,,,,0,0,4,4,,,</p> <p>+WGPRSIND: 2,,,,,,7,,0,0,4,4,,,</p> <p>+WGPRSIND: 2,,,,,,0,,0,0,4,4,,,</p> <p><i>Note: Immediate unsolicited response after each time the (modulation &amp;) coding scheme are modified during the transfer</i></p> |
| <p><b>AT+WGPRS=9,2</b></p> <p><i>Note: Read GPRS/EGPRS network capability indication</i></p>                                          | <p>+WGPRSIND: 2</p> <p>OK</p>                                                                                                                                                                                                                                                                                                                                                                                                                                                                                                                                              |
| <p><b>AT+WGPRS=9,2,1</b></p> <p><i>Note: Read the current GPRS/EGPRS network capability and (modulation &amp;) coding schemes</i></p> | <p>+WGPRSIND: 2,,,,,,0,,0,0,4,4,,,</p> <p>OK</p>                                                                                                                                                                                                                                                                                                                                                                                                                                                                                                                           |
| <p><b>AT+WGPRS?</b></p> <p><i>Note: Read values for non EGPRS compatible embedded module</i></p>                                      | <p>+WGPRS: 0,1</p> <p>+WGPRS: 1,0</p> <p>+WGPRS: 2,0,1</p> <p>+WGPRS: 2,1,3</p> <p>+WGPRS: 3,0</p> <p>+WGPRS: 4,8</p> <p>+WGPRS: 5,0</p> <p>+WGPRS: 6,0</p> <p>+WGPRS: 7,1</p> <p>+WGPRS: 9,1,1</p> <p>OK</p>                                                                                                                                                                                                                                                                                                                                                              |

| <b>Command</b>                                                                                                   | <b>Responses</b>                                                                                                                                                                                                                                                                                                                          |
|------------------------------------------------------------------------------------------------------------------|-------------------------------------------------------------------------------------------------------------------------------------------------------------------------------------------------------------------------------------------------------------------------------------------------------------------------------------------|
| <p><b>AT+WGPRS?</b></p> <p><i>Note: Read values for EGPRS compatible embedded module. EGPRS class is 10.</i></p> | <p>+WGPRS: 0,1</p> <p>+WGPRS: 1,0</p> <p>+WGPRS: 2,0,1</p> <p>+WGPRS: 2,1,3</p> <p>+WGPRS: 3,0</p> <p>+WGPRS: 4,8</p> <p>+WGPRS: 5,0</p> <p>+WGPRS: 6,0</p> <p>+WGPRS: 7,1</p> <p>+WGPRS: 8,10</p> <p><i>Note: CPU.EGPRS class is 10.</i></p> <p>+WGPRS: 9,1,1</p> <p><i>Note: GPRSIEGPRS service indication activated.</i></p> <p>OK</p> |

### 14.2.6. Notes

Additional information for <class>:

| Multislot class | Maximum number of slots |    |     | Minimum number of slots |                 |                 |                 | Type of MS |
|-----------------|-------------------------|----|-----|-------------------------|-----------------|-----------------|-----------------|------------|
|                 | Rx                      | Tx | Sum | T <sub>ta</sub>         | T <sub>tb</sub> | T <sub>ra</sub> | T <sub>rb</sub> |            |
| 2               | 2                       | 1  | 3   | 3                       | 2               | 3               | 1               | 1          |
| 8               | 4                       | 1  | 5   | 3                       | 1               | 2               | 1               | 1          |
| 10              | 4                       | 2  | 5   | 3                       | 1               | 2               | 1               | 1          |
| 12              | 4                       | 4  | 5   | 2                       | 1               | 2               | 1               | 1          |

Type 1 MS are not required to transmit and receive at the same time.

When the embedded module is set in the "CG" class, the ME always automatically performs a GPRS attachment after init, so AT+WGPRS? always gives +WGPRS: 0,0 for the parameter 0.

Additional information for <mode>= 9:

- When the user enables the GPRS/EGPRS/HSDPA/HSUPA network availability and (modulation &) coding scheme indication, the embedded module returns OK response, and it sends immediately an unsolicited response.
- The unsolicited responses are sent to all ports.
- When the GPRS/EGPRS/HSDPA/HSUPA network technology capability and (modulation &) coding scheme indication is enabled (with + WGPRS AT command), under the following conditions, an unsolicited response +WGPRSIND will be returned by the embedded module:
  - each time GPRS or EGPRS technologies availability are detected on the used network, even if the Sierra Wireless embedded modules is only GPRS capable
  - each time HSDPA or HSUPA technology availability is detected on the used network due to intra PLMN handover (UMTS<->GSM) or inter system handover (for 3G supported embedded module only)
  - the (modulation &) coding scheme used at the beginning of each transfer (for GPRS/EGPRS technology only)
  - each time the (modulation &) coding scheme are modified during the transfer (for GPRS/EGPRS technology only)

## 14.3. Define PDP Context +CGDCONT



### 14.3.1. Description

This command specifies PDP context parameter values for a PDP context identified by the local context identification parameter.

Four PDP contexts can be defined through Open AT Application Framework OS.

### 14.3.2. Syntax

#### *Action command*

```
AT+CGDCONT=<cid>[,<PDP_type>[,<APN>[,<PDP_addr>[,<d_comp>[,<h_comp>]]]]]
```

OK

#### *Read command*

```
AT+CGDCONT?
```

```
+CGDCONT: <cid>,<PDP_type>,<APN>,<PDP_addr>,<d_comp>,<h_comp>  
[+CGDCONT: <cid>,<PDP_type>,<APN>,<PDP_addr>,<d_comp>,<h_comp>  
[...]]
```

OK

#### *Test command*

```
AT+CGDCONT=?
```

```
+CGDCONT: (list of supported <cid>s),<PDP_type>,,, (list of supported  
<d_comp>s), (list of supported <h_comp>s)  
[+CGDCONT: (list of supported <cid>s),<PDP_type>,,, (list of supported  
<d_comp>s), (list of supported <h_comp>s) [...]]
```

OK



### 14.3.3. Parameters and Defined Values

|                          |                                                                                                                                                                                                                                                                                                                                                                                                                                                |
|--------------------------|------------------------------------------------------------------------------------------------------------------------------------------------------------------------------------------------------------------------------------------------------------------------------------------------------------------------------------------------------------------------------------------------------------------------------------------------|
| <b>&lt;cid&gt;:</b>      | PDP context identifier<br>range: 1-4<br>integer type                                                                                                                                                                                                                                                                                                                                                                                           |
| <b>&lt;PDP_type&gt;:</b> | type of packet data protocol                                                                                                                                                                                                                                                                                                                                                                                                                   |
|                          | "IP" Internet Protocol (IETF STD 5)                                                                                                                                                                                                                                                                                                                                                                                                            |
|                          | "PPP" Point to Point Protocol (IETF STD 51)                                                                                                                                                                                                                                                                                                                                                                                                    |
| <b>&lt;APN&gt;:</b>      | access point name: logical name that is used to select the GGSN or the external packet data network.<br>string type (maximum 100 bytes)<br>If the value is null or omitted, then the subscription value will be requested                                                                                                                                                                                                                      |
| <b>&lt;PDP_addr&gt;:</b> | PDP address: identifies the MT in the address space applicable to the PDP<br>If the value is null or omitted, then a value may be provided by the TE during the PDP startup procedure or a dynamic address will be requested.<br>The read form of the command will return the null string even if an address has been allocated during the PDP startup procedure. The allocated address may be read using the +CGPADDR command.<br>string type |
| <b>&lt;d_comp&gt;:</b>   | PDP data compression mode                                                                                                                                                                                                                                                                                                                                                                                                                      |
|                          | 0 OFF (default value)                                                                                                                                                                                                                                                                                                                                                                                                                          |
|                          | 1 ON                                                                                                                                                                                                                                                                                                                                                                                                                                           |
| <b>&lt;h_comp&gt;:</b>   | PDP header compression mode                                                                                                                                                                                                                                                                                                                                                                                                                    |
|                          | 0 OFF (default value)                                                                                                                                                                                                                                                                                                                                                                                                                          |
|                          | 1 ON                                                                                                                                                                                                                                                                                                                                                                                                                                           |

### 14.3.4. Parameter Storage

The parameters are stored in EEPROM without using the AT&W command.

### 14.3.5. Examples

| Command                                           | Responses                                                               |
|---------------------------------------------------|-------------------------------------------------------------------------|
| AT+CGDCONT=?                                      | +CGDCONT: (1-4),"IP",,,(0-1),(0-1)<br>+CGDCONT: (1-4),"PPP",,,0,0<br>OK |
| AT+CGDCONT=1,"IP","internet"                      | OK                                                                      |
| AT+CGDCONT?                                       | +CGDCONT: 1, "IP", "internet",,0,0<br>OK                                |
| AT+CGDCONT=1<br><i>Note: Delete &lt;cid&gt;=1</i> | OK                                                                      |
| AT+CGDCONT?                                       | OK                                                                      |

### 14.3.6. Notes

No data compression is supported by SDCP.

Due to Sierra Wireless choice, 4 PDP contexts can be specified with two activated at the same time.

A special form of the set command, AT+CGDCONT=<cid> causes the values for context number <cid> to become undefined.

The embedded module supports only the PAP protocol for legacy products.

## 14.4. GPRS Attach or Detach +CGATT



### 14.4.1. Description

This command is used to attach the MT to, or detach the MT from the GPRS service. After the command has completed, the MT remains in V.25 ter command state [3]. If the MT is already in the requested state, the command is ignored and the OK response is returned.

Any active PDP contexts will be automatically deactivated when the attachment state changes to detached.

### 14.4.2. Syntax

*Action command*

**AT+CGATT=<state>**

OK

*Read command*

**AT+CGATT?**

+CGATT: <state>

OK

*Test command*

**AT+CGATT=?**

+CGATT: (list of supported <state>s)

OK

### 14.4.3. Parameters and Defined Values

|                       |                                                                                              |
|-----------------------|----------------------------------------------------------------------------------------------|
| <b>&lt;state&gt;:</b> | state of GPRS attachment                                                                     |
| 0                     | detached                                                                                     |
| 1                     | attached                                                                                     |
| 2                     | combined detach (GPRS and GSM detach in the same network request)                            |
| <i>Note:</i>          | <i>Note: combined detach is not supported on AirPrime SL808xT and Q2698 embedded modules</i> |

#### 14.4.4. Parameter Storage

None.

#### 14.4.5. Examples

| Command    | Responses           |
|------------|---------------------|
| AT+CGATT=1 | OK                  |
| AT+CGATT?  | +CGATT: 1<br>OK     |
| AT+CGATT=? | +CGATT: (0-2)<br>OK |

## 14.5. PDP Context Activate or Deactivate +CGACT



### 14.5.1. Description

This command is used to activate or deactivate the specified PDP context(s). After the command has completed, the MT remains in V.25ter command state. If any PDP context is already in the requested state, the state for that context remains unchanged.

### 14.5.2. Syntax

#### Action command

```
AT+CGACT=<state>[,<cid>[,<cid>[,...]]]
```

OK

#### Read command

```
AT+CGACT?
```

```
+CGACT: <cid>,<state>
```

```
[+CGACT: <cid>,<state>[...]]
```

OK

#### Test command

```
AT+CGACT=?
```

```
+CGACT: (list of supported <state>s)
```

OK

### 14.5.3. Parameters and Defined Values

|                       |                                                      |
|-----------------------|------------------------------------------------------|
| <b>&lt;state&gt;:</b> | state of PDP context activation                      |
| 0                     | Deactivated                                          |
| 1                     | Activated                                            |
| <b>&lt;cid&gt;:</b>   | PDP context identifier<br>range: 1-4<br>integer type |

## 14.5.4. Parameter Storage

None.

## 14.5.5. Examples

| Command                                                    | Responses           |
|------------------------------------------------------------|---------------------|
| AT+CGDCONT=1, "IP", "APN"                                  | OK                  |
| AT+CGACT=1, 1                                              | OK                  |
| AT+CGACT?                                                  | +CGACT: 1, 1<br>OK  |
| AT+CGACT=?                                                 | +CGACT: (0-1)<br>OK |
| AT+CGACT=0<br><i>Note: deactivate all contexts</i>         | OK                  |
| AT+CGACT=1<br><i>Note: activate first possible context</i> | OK                  |

## 14.5.6. Notes

- Before the activation of the context, the MT has to attach itself to the GPRS network, if necessary.
- If a GPRS PPP session is already running, the setting of a CSD (GSM data call) is not supported.
- If the MT is not GPRS attached when the activation form of the command is executed, the MT first performs a GPRS attach and then attempts to activate the specified contexts. If the attach fails, then the MT responds with ERROR. Or if extended error responses are enabled, with the appropriate failure-to-attach error message.
- If no <cid>s are specified, the activation form of the command activates the first possible within the defined contexts. If no <cid>s are specified, the deactivation form of the command deactivates all active contexts.
- One PDP context can be activated through Open AT Application Framework OS at the same time.
- When "AT+CGACT?" is sent, only the status of defined and valid PDP contexts are listed. The line "+CGACT: 0,0", which appears in the previous software version, is not returned from OS 6.61.
- When "AT+CGACT" is used for multiple context activation with a single command, then this command is successful only when all specified CIDs are valid. If not +CME ERROR: 3 is returned.
- Maximum numbers of contexts that can be started at a time are 2

## 14.6. Request GPRS IP Service D



### 14.6.1. Description

This command causes the MT to perform whatever actions are necessary to establish communication between the TE and the external PDN.

The V.25ter "D" (Dial) command causes the MT to enter the V.25ter online data state and, with the TE, to start the specified layer 2 protocol. The MT returns CONNECT to confirm acceptance of the command prior to entering the V.25ter online data state. No further commands may follow on the AT command line.

The detailed behavior after the online data state has been entered is described briefly in clause 9, for IP, of GSM 07.60.[17] GPRS attachment and PDP context activation procedures may take place prior to or during the PDP startup if they have not already been performed using the +CGATT and +CGACT commands.

### 14.6.2. Syntax

#### Action command

```
ATD*<GPRS_SC_IP>[***<cid>]#  
CONNECT
```

#### Read command

None

#### Test command

None

### 14.6.3. Parameters and Defined Values

|                            |                                                                                                                                |
|----------------------------|--------------------------------------------------------------------------------------------------------------------------------|
| <b>&lt;GPRS_SC_IP&gt;:</b> | GPRS Service Code for IP<br>digit string (value 99), which identifies a request to use the GPRS with IP (PDP types IP and PPP) |
| <b>&lt;cid&gt;:</b>        | PDP context identifier<br>range: 1-4<br>integer type                                                                           |

## 14.6.4. Parameter Storage

None.

## 14.6.5. Examples

| Command     | Responses |
|-------------|-----------|
| ATD*99***1# | CONNECT   |

## 14.6.6. Notes

If <cid> is supported, its usage is the same as in the +CGDATA command. The +CGDCONT, +CGQREQ, etc. commands may then be used in the embedded module initialization AT command string to set values for PDP type, APN, QoS etc...

If <cid> is not supported or is supported but omitted, the MT attempts to activate the context using the 'Empty PDP type' (3GPP TS 24.008, refer to [\[8\]](#)). No PDP address or APN is sent in this case and only one PDP context subscription record is present in the HLR for this subscriber.

If a GPRS PPP session is already running, the setting of a CSD (GSM data call) is not supported.



## 14.7. Enter Data State +CGDATA



### 14.7.1. Description

This command causes the MT to perform the necessary actions to set up communication between the TE and the network. This may include performing a GPRS attach and one PDP context activation.

GPRS attachment and PDP context activation procedures may take place prior to or during the PDP startup if they have not already been performed using the +CGATT and +CGACT commands.

If the activation is successful, data transfer may proceed.

After data transfer and layer 2 protocol termination procedure completion, the V.25ter command state is re-entered and the MT returns the final result code OK.

### 14.7.2. Syntax

*Action command*

**AT+CGDATA[=<cid>]**

CONNECT

*Read command*

None

*Test command*

**AT+CGDATA=?**

+CGDATA:

OK

### 14.7.3. Parameters and Defined Values

|                     |                        |
|---------------------|------------------------|
| <b>&lt;cid&gt;:</b> | PDP context identifier |
|                     | range: 1-4             |
|                     | integer type           |

### 14.7.4. Parameter Storage

None.

### 14.7.5. Examples

| Command     | Responses            |
|-------------|----------------------|
| AT+CGDATA=? | +CGDATA: "PPP"<br>OK |
| AT+CGDATA=1 | CONNECT              |

### 14.7.6. Notes

If no <cid> is given, the MT attempts to activate the context with available information. The other context parameters are set to their default values (no APN, default QoS parameters, dynamic IP address requested).

In case of abnormal termination or start up, the V.25ter command state is reentered and the MT returns the final result code NO CARRIER or, if enabled, "+CME ERROR". Attach, activate and other errors may be reported.

This command has the same effects as ATD\*99\*\*\*.

If a GPRS PPP session is already running, the setting of a CSD (GSM data call) is not supported.

This command may be used in both normal and embedded module compatibility modes.

## 14.8. GPRS Hang-Up Command GH



### 14.8.1. Description

This Sierra Wireless proprietary command is used by the application to release current GPRS resources (Uplink and/or Downlink Temporary Block Flow).

The command does not affect an active voice call but interrupts any GPRS uplink or downlink transfer without deactivating the used PDP context.

### 14.8.2. Syntax

*Action command*

**ATGH**

OK

*Read command*

None

*Test command*

None

### 14.8.3. Parameters and Defined Values

None.

### 14.8.4. Parameter Storage

None.

### 14.8.5. Examples

None.

## 14.9. Network requested PDP context activation

In this mode of operation, the MT behaves like an answering modem and accepts the normal V.25ter commands associated with answering a call. If GPRS-specific configuration commands are required, they may be sent to the MT as part of the modem initialization commands.

The +CGAUTO command is used to select modem compatibility mode.

### 14.9.1. Automatic response to a network request for PDP context activation 'S0'

The V.25ter "S0" (Automatic answer) command may be used to turn off and on the automatic response to a network request for a PDP context activation.

When the "ATS0=n" (n>0) command is received, the MT attempts to perform a GPRS attach if it is not already attached. Failure will result in ERROR being returned to the TE. Subsequently, the MT will announce a network request for PDP context activation by issuing the unsolicited result code RING to the TE, followed by the intermediate result code CONNECT. The MT then enters V.25ter online data state and follows the same procedure as it would after having received a "AT+CGANS=1" with no <cid> value specified.

---

*Note:* The "ATS0=n" (n=0) command does not perform an automatic GPRS detach.

---

### 14.9.2. Manual acceptance of a network request for PDP context activation 'A'

The V.25ter "A" (Answer) command may be used to accept a network request for a PDP context activation announced by the unsolicited result code RING. The MT responds with CONNECT, enters V.25ter online data state and follows the same procedure as it would after having received a "AT+CGANS=1" with no <cid> value specified. It is an error to issue the "A" command when there is no outstanding network request.

### 14.9.3. Manual rejection of a network request for PDP context activation 'H'

The V.25ter "H" or "H0" (On-hook) command may be used to reject a network request for PDP context activation announced by the unsolicited result code RING. The MT responds with OK.

## 14.10. Manual Response to a Network Request for PDP Manual Context Activation +CGANS



### 14.10.1. Description

This command requests the MT to respond to a network request for GPRS PDP context activation which has been signaled to the TE by the RING or +CRING unsolicited result code.

PDP context activation procedures take place prior to or during the PDP startup.

### 14.10.2. Syntax

#### *Action command*

```
AT+CGANS[=<response>[,<cid>]]
```

OK

#### *Read command*

None

#### *Test command*

```
AT+CGANS=?
```

```
+CGANS: (list of supported <response>s)
```

OK

### 14.10.3. Parameters and Defined Values

|                                                 |                                                      |
|-------------------------------------------------|------------------------------------------------------|
| <b>&lt;response&gt;:</b>                        | response to the request<br>integer type              |
| 0                                               | reject the request                                   |
| If <response> is omitted it is assumed to be 0. |                                                      |
| 1                                               | accept and request that the PDP context be activated |
| <b>&lt;cid&gt;:</b>                             | PDP context identifier<br>range: 1-4<br>integer type |

### 14.10.4. Parameter Storage

None.

### 14.10.5. Examples

| Command             | Responses           |
|---------------------|---------------------|
|                     | RING                |
| <b>AT+CGANS=1,1</b> | OK                  |
| <b>AT+CGANS=?</b>   | +CGANS: (0,1)<br>OK |

### 14.10.6. Notes

One <cid> may be specified in order to provide the values needed for the context activation request.

During the PDP startup procedure the MT has the PDP type and the PDP address provided by the network in the Request PDP Context Activation message.

If a <cid> is given, its information must match with the PDP type and PDP address in the network request as follows:

- The PDP type must match exactly.
- The PDP addresses are considered to match if they are identical or if the address in the context definition is unspecified.

If any of this information is in conflict, the command will fail.

The context is activated using the values for PDP type and PDP address provided by the network, together with the other information found in the PDP context definition.

After data transfer is complete, and the layer 2 protocol termination procedure has completed successfully, the V.25ter command state is re-entered and the MT returns the final result code OK.

In the event of an erroneous termination or a failure to startup, the V.25ter command state is re-entered and the MT returns the final result code NO CARRIER or, if enabled, +CME ERROR. Attach, activate and other errors may be reported. It is also an error to issue the +CGANS command when there is no outstanding network request.

This command may be used in both normal and embedded module compatibility modes.

## 14.11. Automatic Response to a Network Request for PDP Context Activation +CGAUTO



### 14.11.1. Description

This command disables or enables an automatic positive response (auto answer) to the receipt of a "Request PDP Context Activation" message from the network. It also provides control over the use of the V.25ter basic commands "S0", "A" and "H" for handling network requests for PDP context activation. The setting does not affect the issuing of the unsolicited result code RING or +CRING.

### 14.11.2. Syntax

#### *Action command*

```
AT+CGAUTO=<n>
```

```
OK
```

#### *Read command*

```
AT+CGAUTO?
```

```
+CGAUTO: <n>
```

```
OK
```

#### *Test command*

```
AT+CGAUTO=?
```

```
+CGAUTO: (list of supported <n>s)
```

```
OK
```



### 14.11.3. Parameters and Defined Values

|                   |                                                                                                                                                                                                                                                                                                                                                 |
|-------------------|-------------------------------------------------------------------------------------------------------------------------------------------------------------------------------------------------------------------------------------------------------------------------------------------------------------------------------------------------|
| <b>&lt;n&gt;:</b> | automatic response mode                                                                                                                                                                                                                                                                                                                         |
| 0                 | turn off automatic response for GPRS only<br>GPRS network requests are manually accepted or rejected by the +CGANS command.                                                                                                                                                                                                                     |
| 1                 | turn on automatic response for GPRS only<br>GPRS network requests are automatically accepted.                                                                                                                                                                                                                                                   |
| 2                 | embedded module compatibility mode, GPRS only<br>Automatic acceptance of GPRS network requests is controlled by the "S0" command. Manual control uses the "A" and "H" commands, respectively, to accept and reject GPRS requests (+CGANS may also be used). Incoming circuit switched calls can be neither manually nor automatically answered. |
| 3                 | embedded module compatibility mode, GPRS and circuit switched calls (default value)<br>Automatic acceptance of both GPRS network requests and incoming circuit switched calls is controlled by the "S0" command. Manual control uses the "A" and "H" commands, respectively, to accept and reject GPRS requests (+CGANS may also be used).      |

### 14.11.4. Parameter Storage

The <n> parameter is stored in EEPROM using the AT&W command. The default value can be restored using AT&F.

### 14.11.5. Examples

| Command     | Responses            |
|-------------|----------------------|
| AT+CGAUTO=? | +CGAUTO: (0-3)<br>OK |
| AT+CGAUTO=2 | OK                   |
| AT+CGAUTO?  | +CGAUTO: 2<br>OK     |

### 14.11.6. Notes

In class C GPRS the embedded module cannot simultaneously receive GPRS and GSM incoming calls.

When the AT+CGAUTO=0 command is received, the MT will not perform a GPRS detach if it is attached. Subsequently, when the MT announces a network request for PDP context activation by issuing the unsolicited result code RING or +CRING, the TE may manually accept or reject the request by issuing the +CGANS command or may simply ignore the network request.

When the AT+CGAUTO=1 command is received, the MT will attempt to perform a GPRS attach if it is not already attached. Failure will result in ERROR or, if enabled, "+CME ERROR: <err>" being returned to the TE. Subsequently, when the MT announces a network request for PDP context activation by issuing the unsolicited result code RING or +CRING to the TE, this is followed by the intermediate result code CONNECT. The MT then enters V.25ter online data state and follows the same procedure as it would after having received an AT+CGANS=1 with <cid> values specified.

## 14.12. Quality of Service Profile (Minimum acceptable) +CGQMIN



### 14.12.1. Description

This command allows the TE to specify a minimum acceptable profile which is checked by the MT against the negotiated profile returned in the "Activate PDP Context Accept" message.

### 14.12.2. Syntax

#### Action command

```
AT+CGQMIN=<cid>[,<precedence>[,<delay>[,<reliability>[,<peak>[,<mean>]]]]]
OK
```

#### Read command

```
AT+CGQMIN?
+CGQMIN: <cid>,<precedence>,<delay>,<reliability>,<peak>,<mean>
[+CGQMIN: <cid>,<precedence>,<delay>,<reliability>,<peak>,<mean>
[...]]
OK
```

#### Test command

```
AT+CGQMIN=?
+CGQMIN: <PDP_type>,(list of supported <precedence>s),(list of supported
<delay>s),(list of supported <reliability>s),(list of supported <peak>s),(list of
supported <mean>s)
[+CGQMIN: <PDP_type>,(list of supported <precedence>s),(list of supported
<delay>s),(list of supported <reliability>s),(list of supported <peak>s),(list of
supported <mean>s) [...]]
OK
```

### 14.12.3. Parameters and Defined Values

|                             |                                                                                             |
|-----------------------------|---------------------------------------------------------------------------------------------|
| <b>&lt;cid&gt;:</b>         | PDP context identifier<br>range: 1-4<br>integer type                                        |
| <b>&lt;precedence&gt;:</b>  | precedence class<br>integer type                                                            |
| 0                           | subscribed precedence (subscribed by the Network by default if value is omitted)            |
| 1                           | high priority (service commitments shall be maintained ahead of precedence classes 2 and 3) |
| 2                           | normal priority (service commitments shall be maintained ahead of precedence class 3.)      |
| 3                           | low priority (service commitments shall be maintained after precedence classes 1 and 2)     |
| <b>&lt;delay&gt;:</b>       | delay class (see <a href="#">&lt;delay&gt;</a> table below)                                 |
| 0                           | subscribed                                                                                  |
| 1                           | delay class 1                                                                               |
| 2                           | delay class 2                                                                               |
| 3                           | delay class 3                                                                               |
| 4                           | delay class 4                                                                               |
| <b>&lt;reliability&gt;:</b> | reliability class (octet 3) (see <a href="#">&lt;reliability&gt;</a> table below)           |
| 0                           | subscribed reliability class                                                                |
| 1                           | unused. If received, it shall be interpreted as '010'                                       |
| 2                           | unacknowledged GTP; acknowledged LLC and RLC, protected data                                |
| 3                           | unacknowledged GTP and LLC; acknowledged RLC, protected data                                |
| 4                           | unacknowledged GTP, LLC, and RLC, protected data                                            |
| 5                           | unacknowledged GTP, LLC, and RLC, unprotected data                                          |
| <b>&lt;peak&gt;:</b>        | peak throughput class<br>integer type                                                       |
| 0                           | subscribed                                                                                  |
| 1                           | up to 1 000 (8 kbits/s)                                                                     |
| 2                           | up to 2 000 (16 kbits/s)                                                                    |

|                                            |                               |
|--------------------------------------------|-------------------------------|
| 3                                          | up to 4 000 (32 kbits/s)      |
| 4                                          | up to 8 000 (64 kbits/s)      |
| 5                                          | up to 16 000 (128 kbits/s)    |
| 6                                          | up to 32 000 (256 kbits/s)    |
| 7                                          | up to 64 000 (512 kbits/s)    |
| 8                                          | up to 128 000 (1 024 kbits/s) |
| 9                                          | up to 256 000 (2 048 kbits/s) |
| <b>&lt;mean&gt;:</b> mean throughput class |                               |
| range: 0-31                                |                               |
| integer type                               |                               |

### 14.12.4. Parameter Storage

The parameters are stored in EEPROM without using the AT&W command.

### 14.12.5. Examples

| Command                            | Responses                                                                                                     |
|------------------------------------|---------------------------------------------------------------------------------------------------------------|
| <b>AT+CGQMIN=?</b>                 | +CGQMIN: "IP", (0-3), (0-4), (0-5), (0-9), (0-31)<br>+CGQMIN: "PPP", (0-3), (0-4), (0-5), (0-9), (0-31)<br>OK |
| <b>AT+CGDCONT=1, "IP", "APN"</b>   | OK                                                                                                            |
| <b>AT+CGQMIN=1, 1, 4, 5, 2, 31</b> | OK                                                                                                            |
| <b>AT+CGQMIN?</b>                  | +CGQMIN: 1, 1, 4, 5, 2, 31<br>OK                                                                              |

### 14.12.6. Notes

A special form of the set command, AT+CGQMIN=<cid> causes the minimum acceptable profile for context number <cid> to become undefined. In this case no check is made against the negotiated profile.

Detailed information regarding the parameters:

<delay>

| Delay Class     | delay (maximum values)        |                                                                |                               |                        |
|-----------------|-------------------------------|----------------------------------------------------------------|-------------------------------|------------------------|
|                 | SDU size: 128 bytes           |                                                                | SDU size: 1024 bytes          |                        |
|                 | mean transfert<br>delay (sec) | 95 percentile<br>delay                                         | mean transfert<br>delay (sec) | 95 percentile<br>delay |
| 0               | <b>subscribes</b>             | <b>subscribed by the Nwk / default if value<br/>is omitted</b> |                               |                        |
| 1 (Predictive)  | <b>&lt; 0.5</b>               | <b>&lt; 1.5</b>                                                | <b>&lt; 2</b>                 | <b>&lt; 7</b>          |
| 2 (Predictive)  | <b>&lt; 5</b>                 | <b>&lt; 25</b>                                                 | <b>&lt; 15</b>                | <b>&lt; 75</b>         |
| 3 (Predictive)  | <b>&lt; 50</b>                | <b>&lt; 250</b>                                                | <b>&lt; 75</b>                | <b>&lt; 375</b>        |
| 4 (Best effort) | <b>unspecified</b>            |                                                                |                               |                        |

<reliability>

| Reliability Class                                                                                   | GTP Mode       | LLC Frame Mode                                      | LLC Data Protection | RLC Block Mode | Traffic Type                                                                                      |
|-----------------------------------------------------------------------------------------------------|----------------|-----------------------------------------------------|---------------------|----------------|---------------------------------------------------------------------------------------------------|
| 0                                                                                                   | subscribed     | subscribed by the Nwk / default if value is omitted |                     |                |                                                                                                   |
| 1                                                                                                   | unacknowledged | acknowledged                                        | protected           | acknowledged   | non real-time traffic, error-sensitive application that can cope with infrequent data loss.       |
| 2                                                                                                   | unacknowledged | acknowledged                                        | protected           | acknowledged   | non real-time traffic, error-sensitive application that can cope with infrequent data loss.       |
| 3                                                                                                   | unacknowledged | unacknowledged                                      | protected           | acknowledged   | non real-time traffic, error-sensitive application that can cope with data loss, GMM/SM, and SMS. |
| 4                                                                                                   | unacknowledged | unacknowledged                                      | protected           | unacknowledged | real-time traffic, error sensitive application that can cope with data loss.                      |
| 5                                                                                                   | unacknowledged | unacknowledged                                      | unprotected         | unacknowledged | real-time traffic, error non sensitive application that can cope with data loss.                  |
| For real-time traffic, the QoS profile also requires appropriate settings for delay and throughput. |                |                                                     |                     |                |                                                                                                   |

## 14.13. Quality of Service Profile (Requested) +CGQREQ



### 14.13.1. Description

This command allows the TE to specify a Quality of Service Profile that is used when the MT sends an Activate PDP Context Request message to the network.

### 14.13.2. Syntax

#### Action command

```
AT+CGQREQ=[<cid>[,<precedence>[,<delay>[,<reliability>[,<peak>[,<mean>]]]]]]
OK
```

#### Read command

```
AT+CGQREQ?
+CGQREQ: <cid>,<precedence>,<delay>,<reliability>,<peak>,<mean>
[+CGQREQ: <cid>,<precedence>,<delay>,<reliability>,<peak>,<mean>[...]]
OK
```

#### Test command

```
AT+CGQREQ=?
+CGQREQ: <PDP_type>,(list of supported <precedence>s),(list of supported
<delay>s),(list of supported <reliability>s),(list of supported <peak>s),(list of
supported <mean>s)
[+CGQREQ: <PDP_type>,(list of supported <precedence>s),(list of supported
<delay>s),(list of supported <reliability>s),(list of supported <peak>s),(list of
supported <mean>s)[...]]
OK
```



### 14.13.3. Parameters and Defined Values

|                             |                                                                                             |
|-----------------------------|---------------------------------------------------------------------------------------------|
| <b>&lt;cid&gt;:</b>         | PDP context identifier<br>range: 1-4<br>integer type                                        |
| <b>&lt;precedence&gt;:</b>  | precedence class<br>integer type                                                            |
| 0                           | subscribed precedence (subscribed by the Network by default if value is omitted)            |
| 1                           | high priority (service commitments shall be maintained ahead of precedence classes 2 and 3) |
| 2                           | normal priority (service commitments shall be maintained ahead of precedence class 3.)      |
| 3                           | low priority (service commitments shall be maintained after precedence classes 1 and 2)     |
| <b>&lt;delay&gt;:</b>       | delay class (see <a href="#">&lt;delay&gt;</a> table below)                                 |
| 0                           | subscribed                                                                                  |
| 1                           | delay class 1                                                                               |
| 2                           | delay class 2                                                                               |
| 3                           | delay class 3                                                                               |
| 4                           | delay class 4                                                                               |
| <b>&lt;reliability&gt;:</b> | reliability class (octet 3) (see <a href="#">&lt;reliability&gt;</a> table below)           |
| 0                           | subscribed reliability class                                                                |
| 1                           | unused. If received, it shall be interpreted as '010'                                       |
| 2                           | unacknowledged GTP; acknowledged LLC and RLC, protected data                                |
| 3                           | unacknowledged GTP and LLC; acknowledged RLC, protected data                                |
| 4                           | unacknowledged GTP, LLC, and RLC, protected data                                            |
| 5                           | unacknowledged GTP, LLC, and RLC, unprotected data                                          |
| <b>&lt;peak&gt;:</b>        | peak throughput class<br>integer type                                                       |
| 0                           | subscribed                                                                                  |
| 1                           | up to 1 000 (8 kbits/s)                                                                     |
| 2                           | up to 2 000 (16 kbits/s)                                                                    |
| 3                           | up to 4 000 (32 kbits/s)                                                                    |
| 4                           | up to 8 000 (64 kbits/s)                                                                    |

|                      |                                                     |
|----------------------|-----------------------------------------------------|
| 5                    | up to 16 000 (128 kbits/s)                          |
| 6                    | up to 32 000 (256 kbits/s)                          |
| 7                    | up to 64 000 (512 kbits/s)                          |
| 8                    | up to 128 000 (1 024 kbits/s)                       |
| 9                    | up to 256 000 (2 048 kbits/s)                       |
| <b>&lt;mean&gt;:</b> | mean throughput class                               |
|                      | integer type                                        |
| 0                    | subscribed by the Nwk / default if value is omitted |
| 1                    | 100 (~0.22 bit/s)                                   |
| 2                    | 200 (~0.44 bit/s)                                   |
| 3                    | 500 (~1.11 bit/s)                                   |
| 4                    | 1 000 (~2.2 bit/s)                                  |
| 5                    | 2 000 (~4.4 bit/s)                                  |
| 6                    | 5 000 (~11.1 bit/s)                                 |
| 7                    | 10 000 (~22 bit/s)                                  |
| 8                    | 20 000 (~44 bit/s)                                  |
| 9                    | 50 000 (~111 bit/s)                                 |
| 10                   | 100 000 (~0.22 kbits/s)                             |
| 11                   | 200 000 (~0.44 kbits/s)                             |
| 12                   | 500 000 (~1.11 kbits/s)                             |
| 13                   | 1 000 000 (~2.2 kbits/s)                            |
| 14                   | 2 000 000 (~4.4 kbits/s)                            |
| 15                   | 5 000 000 (~11.1 kbits/s)                           |
| 16                   | 10 000 000 (~22 kbits/s)                            |
| 17                   | 20 000 000 (~44 kbits/s)                            |
| 18                   | 50 000 000 (~111 kbits/s)                           |
| 31                   | Best effort                                         |

### 14.13.4. Parameter Storage

None.

### 14.13.5. Examples

| Command                     | Responses                                                                                                   |
|-----------------------------|-------------------------------------------------------------------------------------------------------------|
| AT+CGQREQ=?                 | +CGQREQ:"IP", (0-3), (0-4), (0-5), (0-9), (0-31)<br>+CGQREQ:"PPP", (0-3), (0-4), (0-5), (0-9), (0-31)<br>OK |
| AT+CGDCONT=1, "IP", "APN"   | OK                                                                                                          |
| AT+CGQREQ=1, 1, 4, 5, 2, 31 | OK                                                                                                          |
| AT+CGQREQ?                  | +CGQREQ: 1, 1, 4, 5, 2, 31<br>OK                                                                            |

### 14.13.6. Notes

A special form of the set command, AT+CGQREQ=<cid> causes the requested profile for context number <cid> to become undefined.

Detailed information regarding the parameters:

<delay>

| Delay Class     | delay (maximum values)     |                                                     |                            |                     |
|-----------------|----------------------------|-----------------------------------------------------|----------------------------|---------------------|
|                 | SDU size: 128 bytes        |                                                     | SDU size: 1024 bytes       |                     |
|                 | mean transfert delay (sec) | 95 percentile delay                                 | mean transfert delay (sec) | 95 percentile delay |
| 0               | subscribes                 | subscribed by the Nwk / default if value is omitted |                            |                     |
| 1 (Predictive)  | < 0.5                      | < 1.5                                               | < 2                        | < 7                 |
| 2 (Predictive)  | < 5                        | < 25                                                | < 15                       | < 75                |
| 3 (Predictive)  | < 50                       | < 250                                               | < 75                       | < 375               |
| 4 (Best effort) | unspecified                |                                                     |                            |                     |

<reliability>

| Reliability Class                                                                                   | GTP Mode       | LLC Frame Mode                                      | LLC Data Protection | RLC Block Mode | Traffic Type                                                                                      |
|-----------------------------------------------------------------------------------------------------|----------------|-----------------------------------------------------|---------------------|----------------|---------------------------------------------------------------------------------------------------|
| 0                                                                                                   | subscribed     | subscribed by the Nwk / default if value is omitted |                     |                |                                                                                                   |
| 1                                                                                                   | unacknowledged | acknowledged                                        | protected           | acknowledged   | non real-time traffic, error-sensitive application that can cope with infrequent data loss.       |
| 2                                                                                                   | unacknowledged | acknowledged                                        | protected           | acknowledged   | non real-time traffic, error-sensitive application that can cope with infrequent data loss.       |
| 3                                                                                                   | unacknowledged | unacknowledged                                      | protected           | acknowledged   | non real-time traffic, error-sensitive application that can cope with data loss, GMM/SM, and SMS. |
| 4                                                                                                   | unacknowledged | unacknowledged                                      | protected           | unacknowledged | real-time traffic, error sensitive application that can cope with data loss.                      |
| 5                                                                                                   | unacknowledged | unacknowledged                                      | unprotected         | unacknowledged | real-time traffic, error non sensitive application that can cope with data loss.                  |
| For real-time traffic, the QoS profile also requires appropriate settings for delay and throughput. |                |                                                     |                     |                |                                                                                                   |

## 14.14. PDP Context Modify +CGCMOD



### 14.14.1. Description

This command is used to modify the specified PDP context with respects to QoS profiles. After the command has completed, the MT returns to V.25ter online data state.

### 14.14.2. Syntax

*Action command*

```
AT+CGCMOD[=<cid>[,<cid>[,...]]]
```

OK

*Read command*

None

*Test command*

```
AT+CGCMOD=?
```

```
+CGCMOD: (list of <cid>s associated with active contexts)
```

OK

### 14.14.3. Parameters and Defined Values

|                     |                        |
|---------------------|------------------------|
| <b>&lt;cid&gt;:</b> | PDP context identifier |
|                     | range: 1-4             |
|                     | integer type           |

### 14.14.4. Parameter Storage

None.

### 14.14.5. Examples

| Command                                                   | Responses          |
|-----------------------------------------------------------|--------------------|
| AT+CGDCONT=1, "IP", "APN"                                 | OK                 |
| AT+CGACT=1, 1                                             | OK                 |
| AT+CGCMOD=1                                               | OK                 |
| AT+CGCMOD=?                                               | +CGCMOD: (1)<br>OK |
| AT+CGCMOD<br><i>Notes: Modify all the active contexts</i> | OK                 |

### 14.14.6. Notes

Once the PDP context is activated, this command can only be used to modify the QoS which is set by the command +CGQREQ. It cannot be used to modify the minimum acceptable QoS (set by +CGQMIN).

If no <cid>s are specified the activation form of the command modifies all active contexts.

## 14.15. GPRS network registration status +CGREG



### 14.15.1. Description

This command controls the presentation of an unsolicited result code +CGREG when there is a change in the MT's GPRS network registration status or when there is a change of the network cell.

### 14.15.2. Syntax

#### *Action command*

```
AT+CGREG=<n>
```

```
OK
```

#### *Read command*

```
AT+CGREG?
```

```
+CGREG: <n>,<stat>[,<lac>,<ci>]
```

```
OK
```

#### *Test command*

```
AT+CGREG=?
```

```
+CGREG: (list of supported <n>s)
```

```
OK
```

#### *Unsolicited response*

```
+CGREG: <stat>[,<lac>,<ci>]
```

### 14.15.3. Parameters and Defined Values

|                      |                                                                                                                                                              |
|----------------------|--------------------------------------------------------------------------------------------------------------------------------------------------------------|
| <b>&lt;n&gt;:</b>    | unsolicited result code activation mode                                                                                                                      |
| 0                    | disable network registration unsolicited result code (default value)                                                                                         |
| 1                    | enable network registration unsolicited result code +CGREG: <stat>                                                                                           |
| 2                    | enable network registration and location information unsolicited result code +CGREG: <stat>[,<lac>,<ci>]                                                     |
| <b>&lt;stat&gt;:</b> | network registration state<br>For <stat> = 1 or 5 (i.e. the embedded module is registered on a network), the next parameter couple is returned if <mode> = 2 |
| 0                    | not registered, ME is not currently searching for a new operator to register to                                                                              |
| 1                    | registered, home network                                                                                                                                     |
| 2                    | not registered, but ME is currently searching for a new operator to register to                                                                              |
| 3                    | registration denied                                                                                                                                          |
| 4                    | unknown                                                                                                                                                      |
| 5                    | registered, roaming                                                                                                                                          |
| <b>&lt;lac&gt;:</b>  | string type;<br>two byte location area code in hexadecimal format (e.g. "00C3" equals 195 in decimal)                                                        |
| <b>&lt;ci&gt;:</b>   | string type;<br>four byte GERAN cell ID in hexadecimal format                                                                                                |

### 14.15.4. Parameter Storage

The <n> parameter is stored in EEPROM using the AT&W command. The default value can be restored using AT&F.



### 14.15.5. Examples

| Command                                                                                            | Responses                                                                                                                                                 |
|----------------------------------------------------------------------------------------------------|-----------------------------------------------------------------------------------------------------------------------------------------------------------|
| <b>AT+CGREG=0</b><br><i>Note: Disable network registration unsolicited result code</i>             | OK<br><i>Note: Command valid</i>                                                                                                                          |
| <b>AT+CGREG=1</b><br><i>Note: Enable network registration</i>                                      | OK<br>+CGREG: 0<br><i>Note: Command valid</i>                                                                                                             |
| <b>AT+CGREG=2</b><br><i>Note: Enable network registration unsolicited result code registration</i> | OK<br>+CGREG: 0<br><i>Note: Command valid</i>                                                                                                             |
| <b>AT+CGREG=?</b>                                                                                  | +CGREG: (0-2)<br>OK<br><i>Note: 0,1,2 &lt;n&gt; values are supported</i>                                                                                  |
| <b>AT+CGATT=1</b>                                                                                  | OK<br>+CGREG: 1, "20D0", "00048329"                                                                                                                       |
| <b>AT+CGREG?</b><br><i>Note: Get the CGREG status</i>                                              | +CGREG: 2, 1, "20D0", "00048329"<br>OK<br><i>Note: The embedded module is registered on the home network with the lac=20D0 and the cell ID = 00048329</i> |

## 14.16. GPRS Event reporting +CGEREP



### 14.16.1. Description

This command enables or disables sending of +CGEV unsolicited result codes from MT to TE in the case of certain events occurring in the GPRS MT or the network.

### 14.16.2. Syntax

#### Action command

```
AT+CGEREP=<mode>[,<bfr>]
```

OK

#### Read command

```
AT+CGEREP?
```

```
+CGEREP: <mode>,<bfr>
```

OK

#### Test command

```
AT+CGEREP=?
```

```
+CGEREP: (list of supported <mode>s),(list of supported <bfr>s)
```

OK

- If <event>=ME REJECT

#### Unsolicited response

```
+CGEV: <event> <PDP_type>, <PDP_addr>
```

- If <event>= NW REACT or NW DEACT or ME DEACT

#### Unsolicited response

```
+CGEV: <event> <PDP_type>, <PDP_addr>[,<cid>]
```

- If <event>=NW DETACH or ME DETACH

*Unsolicited response*

+CGEV: <event>

- If <event>= NW CLASS or ME CLASS

*Unsolicited response*

+CGEV: <event> <class>

### 14.16.3. Parameters and Defined Values

|                          |                                                                                                                                                                           |
|--------------------------|---------------------------------------------------------------------------------------------------------------------------------------------------------------------------|
| <b>&lt;mode&gt;:</b>     | buffer unsolicited result mode                                                                                                                                            |
| 0                        | disable buffer unsolicited result codes (default value)                                                                                                                   |
| 2                        | enable buffer unsolicited result codes                                                                                                                                    |
| <b>&lt;bfr&gt;:</b>      | handling method for buffered result codes                                                                                                                                 |
| 0                        | MT buffer of unsolicited result codes defined within this command is cleared when <mode>=2 is entered.                                                                    |
| <b>&lt;event&gt;:</b>    | GPRS event                                                                                                                                                                |
| ME REJECT                | A network request for PDP context activation occurred when the MT was unable to report it to the TE with a +CRING unsolicited result code and was automatically rejected. |
| NW REACT                 | The network has requested a context reactivation. The <cid> that was used to reactivate the context is provided if known to the MT.                                       |
| NW DEACT                 | The network has forced a context deactivation. The <cid> that was used to activate the context is provided if known to the MT.                                            |
| ME DEACT                 | The mobile equipment has forced a context deactivation. The <cid> that was used to activate the context is provided if known to the MT.                                   |
| NW DETACH                | The network has forced a GPRS detach. This implies that all active contexts have been deactivated. These are not reported separately.                                     |
| ME DETACH                | The mobile equipment has forced a GPRS detach. This implies that all active contexts have been deactivated. These are not reported separately.                            |
| NW CLASS                 | The network has forced a change of MS class. The highest available class is reported.                                                                                     |
| ME CLASS                 | The mobile equipment has forced a change of MS class. The highest available class is reported.                                                                            |
| <b>&lt;PDP_type&gt;:</b> | type of packet data protocol                                                                                                                                              |
| "IP"                     | Internet Protocol (IETF STD 5)                                                                                                                                            |
| "PPP"                    | Point to Point Protocol (IETF STD 51)                                                                                                                                     |

|                          |                                                                                            |
|--------------------------|--------------------------------------------------------------------------------------------|
| <b>&lt;PDP_addr&gt;:</b> | PDP address<br>identifies the MT in the address space applicable to the PDP<br>string type |
| <b>&lt;cid&gt;:</b>      | PDP context identifier<br>range: 1-4<br>integer type                                       |

### 14.16.4. Parameter Storage

The <mode> parameter is stored in EEPROM using the AT&W command. The default value can be restored using AT&F.

### 14.16.5. Examples

| Command     | Responses                                                                       |
|-------------|---------------------------------------------------------------------------------|
| AT+CGEREP=? | +CGEREP: (0,2),(0)<br>OK                                                        |
| AT+CGEREP=2 | OK                                                                              |
| AT+CGEREP?  | +CGEREP: 2,0<br>OK                                                              |
|             | +CGEV: ME DEACT "IP", "10.15.139.22",1<br><i>Note: PDP context deactivation</i> |

## 14.17. Select Service for MO SMS Messages +CGSMS



### 14.17.1. Description

This command is used to specify the service or service preference that the MT will use to send MO SMS messages.

### 14.17.2. Syntax

#### Action command

```
AT+CGSMS=<service>
```

OK

#### Read command

```
AT+CGSMS?
```

```
+CGSMS: <service>
```

OK

#### Test command

```
AT+CGSMS=?
```

```
+CGSMS: (list of supported <service>s)
```

OK

### 14.17.3. Parameters and Defined Values

**<service>:** service or service preference to be used

|   |                                                                         |
|---|-------------------------------------------------------------------------|
| 0 | GPRS                                                                    |
| 1 | circuit switched (default value)                                        |
| 2 | GPRS preferred (use circuit switched if GPRS is not available)          |
| 3 | circuit switched preferred (use GPRS if circuit switched not available) |

*Note: Default value for AirPrime SL808x and Q2698 embedded modules*

### 14.17.4. Parameter Storage

The parameters are stored in EEPROM without using the AT&W command.

### 14.17.5. Examples

| Command    | Responses           |
|------------|---------------------|
| AT+CGSMS=? | +CGSMS: (0-3)<br>OK |
| AT+CGSMS=0 | OK                  |
| AT+CGSMS?  | +CGSMS: 0<br>OK     |

## 14.18. Show PDP Address +CGPADDR



### 14.18.1. Description

This command returns a list of PDP addresses for the specified context identifiers.

### 14.18.2. Syntax

#### *Action command*

```
AT+CGPADDR[=<cid>[,<cid>[,...]]]  
+CGPADDR: <cid>,<PDP_addr>  
[+CGPADDR: <cid>,<PDP_addr>[...]]  
OK
```

#### *Read command*

None

#### *Test command*

```
AT+CGPADDR=?  
+CGPADDR: (list of defined <cid>s)  
OK
```

### 14.18.3. Parameters and Defined Values

|                          |                                                                                                                                                                                                                                                                                                                                                                                                                                                              |
|--------------------------|--------------------------------------------------------------------------------------------------------------------------------------------------------------------------------------------------------------------------------------------------------------------------------------------------------------------------------------------------------------------------------------------------------------------------------------------------------------|
| <b>&lt;PDP_addr&gt;:</b> | <p>PDP address: identifies the MT in the address space applicable to the PDP string type</p> <p>The address may be static or dynamic. For a static address, it will be the one set by the +CGDCONT command when the context was defined.</p> <p>For a dynamic address, it will be the one assigned during the last PDP context activation that used the context definition referred to by &lt;cid&gt;. &lt;PDP_addr&gt; is omitted if none is available.</p> |
| <b>&lt;cid&gt;:</b>      | <p>PDP context identifier</p> <p>range: 1-4</p> <p>integer type</p> <p>If no &lt;cid&gt; is specified, the addresses for all defined contexts are returned.</p>                                                                                                                                                                                                                                                                                              |

### 14.18.4. Parameter Storage

None.

### 14.18.5. Examples

| Command             | Responses                                                                                           |
|---------------------|-----------------------------------------------------------------------------------------------------|
| <b>AT+CGPADDR=?</b> | +CGPADDR: (1,2,4)<br>OK                                                                             |
| <b>AT+CGPADDR=2</b> | +CGPADDR=2,"10.3.73.151"<br>OK                                                                      |
| <b>AT+CGPADDR</b>   | +CGPADDR: 1,<br>+CGPADDR: 2,"10.3.73.151"<br>+CGPADDR: 4,<br>OK<br><i>Note: Context 2 is active</i> |

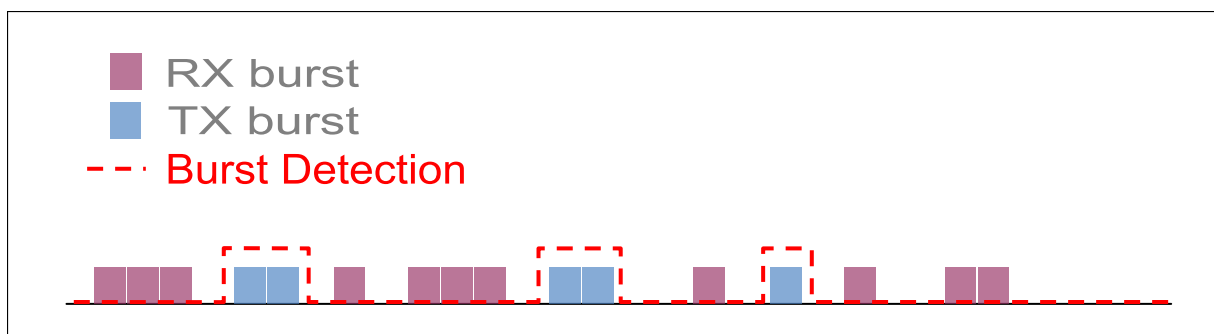


## 14.19. GSM/GPRS Tx Burst Indication +WTBI



### 14.19.1. Description

This Sierra Wireless proprietary command allows enable/disable GSM/GPRS Tx Burst Indication. This is to use a GPIO pin toggle to inform customer application of coming GPRS Tx burst.



### 14.19.2. Syntax

#### Action command

```
AT+WTBI=<mode>
```

```
OK
```

#### Read command

```
AT+WTBI?
```

```
+WTBI: <mode>
```

```
OK
```

#### Test command

```
AT+WTBI=?
```

```
+WTBI: (list of supported <mode>s)
```

```
OK
```

### 14.19.3. Parameters and Defined Values

|                      |                                                                                  |
|----------------------|----------------------------------------------------------------------------------|
| <b>&lt;mode&gt;:</b> | enable/disable the Tx burst indication.                                          |
| 0                    | disable<br><i>Note: A reset is needed to take into account the deactivation</i>  |
| 1                    | enable<br><i>Note: A reset is not needed to take into account the activation</i> |

### 14.19.4. Parameter Storage

None.

### 14.19.5. Examples

| Command                                                         | Responses                                        |
|-----------------------------------------------------------------|--------------------------------------------------|
| <b>AT+WTBI=?</b>                                                | +WTBI: (0,1)<br>OK                               |
| <b>AT+WTBI?</b>                                                 | +WTBI: 0<br>OK                                   |
| <b>AT+WTBI=1</b><br><i>Note: Enable the Tx Burst indication</i> | OK                                               |
| <b>AT+WTBI?</b>                                                 | +WTBI: 1<br>OK                                   |
| <b>AT+WTBI=2</b>                                                | +CME ERROR: 3<br><i>Note: Index out of range</i> |

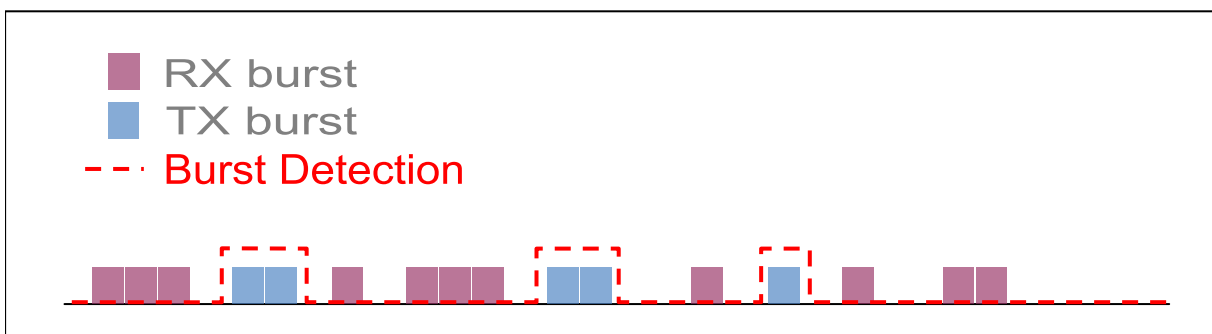
## 14.19.6. Notes

### 14.19.6.1. Functional description

Burst Indication is provided by the mean of an output (GPIO) signal changing of state before and after each GSM, GPRS or EDGE TX burst.

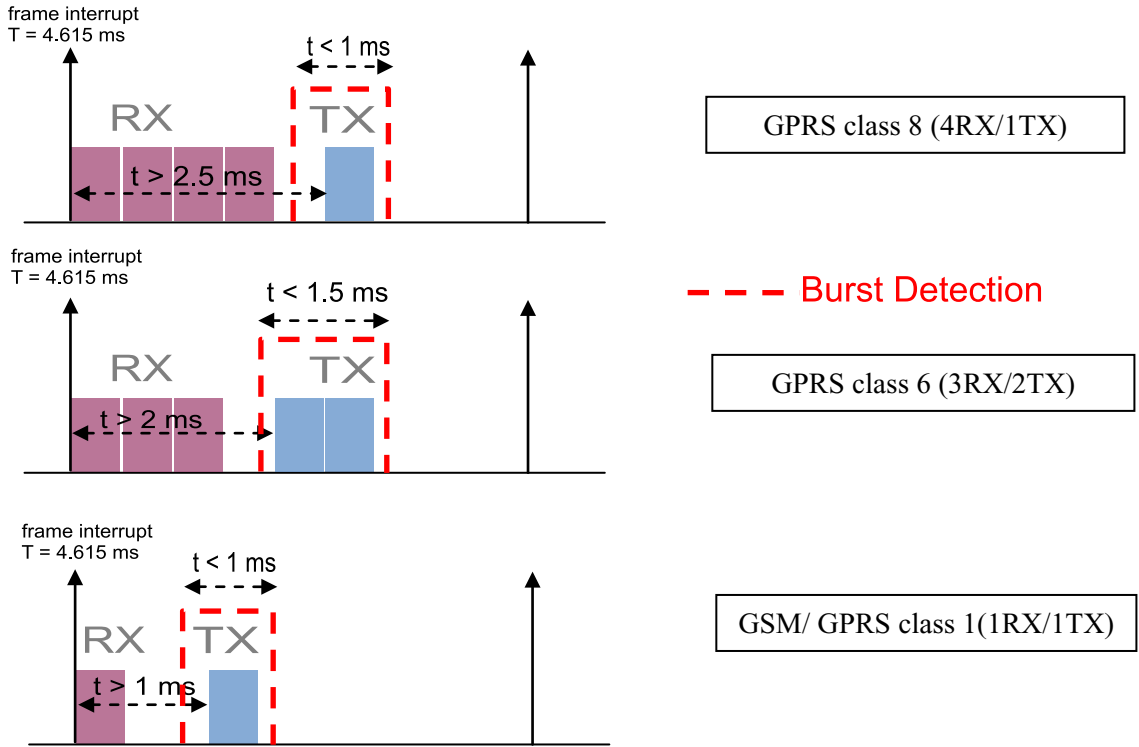
Before TX burst rising, a time anticipation is applied to Burst Indication GPIO state change. This allows enough time for application to switch off peripherals properly.

After TX burst falling, a time delay is applied to Burst Indication GPIO state change. This ensures current consumption peak required by GSM, GPRS or EDGE activity to be completely finished.



### 14.19.6.2. Timing Overview

Time distribution of power supply between application peripherals and GSM, GPRS or EDGE depends on network configuration and traffic. Typical cases and time ranges are derived from GSM frame interrupt period (4.615 ms) and GPRS slot allocation, as shown hereafter.





*Read command*

**AT+CGEQREQ?**

+CGEQREQ: <cid>,<Traffic class>,<Maximum bitrate UL>,<Maximum bitrate DL>,<Guaranteed bitrate UL>,<Guaranteed bitrate DL>,<Delivery order>,<Maximum SDU size>,<SDU error ratio>,<Residual bit error ratio> ,<Delivery of erroneous SDUs>,<Transfer delay>,<Traffic handling priority>,<Source statistics descriptor>,<Signalling indication>

[<CR><LF>+CGEQREQ: <cid>,<Traffic class>,<Maximum bitrate UL>,<Maximum bitrate DL>,<Guaranteed bitrate UL>,<Guaranteed bitrate DL>,<Delivery order>,<Maximum SDU size>,<SDU error ratio>,<Residual bit error ratio>,<Delivery of erroneous SDUs>,<Transfer delay>,<Traffic handling priority>,<Source statistics descriptor>,<Signalling indication>[...]]

OK

*Test command*

**AT+CGEQREQ=?**

+CGEQREQ: <PDP\_type>,(list of supported <Traffic class>s),(list of supported <Maximum bitrate UL>s),(list of supported <Maximum bitrate DL>s),(list of supported <Guaranteed bitrate UL>s),(list of supported <Guaranteed bitrate DL>s),(list of supported <Delivery order>s),(list of supported <Maximum SDU size>s),(list of supported <SDU error ratio>s) ,(list of supported <Residual bit error ratio>s),(list of supported <Delivery of erroneous SDUs>s),(list of supported <Transfer delay>s),(list of supported <Traffic handling priority>s) ,(list of supported <Source statistics descriptor>s) ,(list of supported <Signalling indication>s)

[<CR><LF>+CGEQREQ: <PDP\_type>,(list of supported <Traffic class>s) ,(list of supported <Maximum bitrate UL>s),(list of supported <Maximum bitrate DL>s),(list of supported <Guaranteed bitrate UL>s),(list of supported <Guaranteed bitrate DL>s),(list of supported <Delivery order>s),(list of supported <Maximum SDU size>s),(list of supported <SDU error ratio>s),(list of supported <Residual bit error ratio>s),(list of supported <Delivery of erroneous SDUs>s),(list of supported <Transfer delay>s),(list of supported <Traffic handling priority>s) ,(list of supported <Source statistics descriptor>s) ,(list of supported <Signalling indication>s)[...]]

OK

### 14.20.3. Parameters and Defined Values

|                                    |                                                                                                                                                                                                                                                                          |
|------------------------------------|--------------------------------------------------------------------------------------------------------------------------------------------------------------------------------------------------------------------------------------------------------------------------|
| <b>&lt;cid&gt;:</b>                | a particular PDP context definition (see <a href="#">+CGDCONT</a> and +CGDSCONT command)<br>integer type                                                                                                                                                                 |
| <b>&lt;Traffic class&gt;:</b>      | type of application for which the UMTS bearer service is optimised (please refer to <a href="#">Table 1: UMTS QoS classes</a> )<br>integer type                                                                                                                          |
| 0                                  | conversational                                                                                                                                                                                                                                                           |
| 1                                  | streaming                                                                                                                                                                                                                                                                |
| 2                                  | interactive                                                                                                                                                                                                                                                              |
| 3                                  | background                                                                                                                                                                                                                                                               |
| 4                                  | subscribed value (default value)                                                                                                                                                                                                                                         |
| <b>&lt;Maximum bitrate UL&gt;:</b> | maximum number of kbits/s delivered to UMTS (up-link traffic) at a SAP<br>integer type<br>if the parameter is set to "0", the subscribed value will be requested<br>this parameter should be provided if the Traffic class is specified as conversational or streaming   |
| 0                                  | subscribed maximum bit rate for uplink (default)                                                                                                                                                                                                                         |
| 65535                              | 0 kbps                                                                                                                                                                                                                                                                   |
| 1 – 63                             | in 1 kbps increment                                                                                                                                                                                                                                                      |
| 64 – 568                           | in 8 kbps increments                                                                                                                                                                                                                                                     |
| 576 - 8640                         | in 64 kbps increments                                                                                                                                                                                                                                                    |
| <b>&lt;Maximum bitrate DL&gt;:</b> | maximum number of kbits/s delivered by UMTS (down-link traffic) at a SAP<br>integer type<br>if the parameter is set to "0", the subscribed value will be requested<br>this parameter should be provided if the Traffic class is specified as conversational or streaming |
| 0                                  | subscribed maximum bit rate for downlink (default value)                                                                                                                                                                                                                 |
| 65535                              | 0 kbps                                                                                                                                                                                                                                                                   |
| 1 – 63                             | in 1 kbps increment                                                                                                                                                                                                                                                      |
| 64 – 568                           | in 8 kbps increments                                                                                                                                                                                                                                                     |
| 576 - 8640                         | in 64 kbps increments                                                                                                                                                                                                                                                    |
| 8640 – 16000                       | in 100 kbps increments                                                                                                                                                                                                                                                   |

**<Guaranteed bitrate UL>:** guaranteed number of kbits/s delivered to UMTS (up-link traffic) at a SAP (provided that there is data to deliver)  
integer type  
if the parameter is set to "0", the subscribed value will be requested  
this parameter should be provided if the Traffic class is specified as conversational or streaming

---

*Note:* The Guaranteed bit rate for uplink value is ignored if the Traffic Class is Interactive class or Background class, or Maximum bit rate for uplink is set to 0 kbps.

---

|            |                                                        |
|------------|--------------------------------------------------------|
| 0          | subscribed maximum bit rate for uplink (default value) |
| 65535      | 0 kbps                                                 |
| 1 – 63     | in 1 kbps increment                                    |
| 64 – 568   | in 8 kbps increments                                   |
| 576 - 8640 | in 64 kbps increments                                  |

**<Guaranteed bitrate DL>:** guaranteed number of kbits/s delivered by UMTS (down-link traffic) at a SAP (provided that there is data to deliver)  
integer type  
if the parameter is set to "0", the subscribed value will be requested  
this parameter should be provided if the Traffic class is specified as conversational or streaming

---

*Note:* The Guaranteed bit rate for downlink value is ignored if the Traffic Class is Interactive class or Background class, or Maximum bit rate for downlink is set to 0 kbps.

---

|              |                                                          |
|--------------|----------------------------------------------------------|
| 0            | subscribed maximum bit rate for downlink (default value) |
| 65535        | 0 kbps                                                   |
| 1 – 63       | in 1 kbps increment                                      |
| 64 – 568     | in 8 kbps increments                                     |
| 576 – 8640   | in 64 kbps increments                                    |
| 8640 - 16000 | in 100 kbps increments                                   |

**<Delivery order>:** indicates whether the UMTS bearer shall provide in-sequence SDU delivery or not  
integer type

|   |                                  |
|---|----------------------------------|
| 0 | no                               |
| 1 | yes                              |
| 2 | subscribed value (default value) |



|                                          |                                                                                                                                                                                                                                                                                                                                                                                                    |
|------------------------------------------|----------------------------------------------------------------------------------------------------------------------------------------------------------------------------------------------------------------------------------------------------------------------------------------------------------------------------------------------------------------------------------------------------|
| <b>&lt;Maximum SDU size&gt;:</b>         | <p>maximum allowed SDU size in octets</p> <p>integer type</p> <p>if the parameter is set to "0", the subscribed value will be requested</p>                                                                                                                                                                                                                                                        |
| 0                                        | subscribed maximum SDU size (default value)                                                                                                                                                                                                                                                                                                                                                        |
| 10 – 1500                                | in 10 octets increments                                                                                                                                                                                                                                                                                                                                                                            |
| 1502                                     |                                                                                                                                                                                                                                                                                                                                                                                                    |
| 1510                                     |                                                                                                                                                                                                                                                                                                                                                                                                    |
| 1520                                     |                                                                                                                                                                                                                                                                                                                                                                                                    |
| <b>&lt;SDU error ratio&gt;:</b>          | <p>target value for the fraction of SDUs lost or detected as erroneous. SDU error ratio is defined only for conforming traffic. The value is specified as "mEe".</p> <p>string type</p> <p>Example: a target SDU error ratio of <math>1 \cdot 10^{-3}</math> would be specified as '1E3' (e.g. AT+CGEQREQ=..., "1E3",...)</p>                                                                      |
| "0E0"                                    | 0, subscribed SDU error ratio (default value)                                                                                                                                                                                                                                                                                                                                                      |
| "1E2"                                    | $1 \cdot 10^{-2}$                                                                                                                                                                                                                                                                                                                                                                                  |
| "7E3"                                    | $7 \cdot 10^{-3}$                                                                                                                                                                                                                                                                                                                                                                                  |
| "1E3"                                    | $1 \cdot 10^{-3}$                                                                                                                                                                                                                                                                                                                                                                                  |
| "1E4"                                    | $1 \cdot 10^{-4}$                                                                                                                                                                                                                                                                                                                                                                                  |
| "1E5"                                    | $1 \cdot 10^{-5}$                                                                                                                                                                                                                                                                                                                                                                                  |
| "1E6"                                    | $1 \cdot 10^{-6}$                                                                                                                                                                                                                                                                                                                                                                                  |
| <b>&lt;Residual bit error ratio&gt;:</b> | <p>target value for the undetected bit error ratio in the delivered SDUs. If no error detection is requested, Residual bit error ratio indicates the bit error ratio in the delivered SDUs. The value is specified as 'mEe'.</p> <p>string type</p> <p>Example: a target residual bit error ratio of <math>5 \cdot 10^{-3}</math> would be specified as '5E3' (e.g. AT+CGEQREQ=..., "5E3",...)</p> |
| "0E0"                                    | 0, subscribed residual BER (default value)                                                                                                                                                                                                                                                                                                                                                         |
| "5E2"                                    | $5 \cdot 10^{-2}$                                                                                                                                                                                                                                                                                                                                                                                  |
| "1E2"                                    | $1 \cdot 10^{-2}$                                                                                                                                                                                                                                                                                                                                                                                  |
| "5E3"                                    | $5 \cdot 10^{-3}$                                                                                                                                                                                                                                                                                                                                                                                  |
| "4E3"                                    | $4 \cdot 10^{-3}$                                                                                                                                                                                                                                                                                                                                                                                  |
| "1E3"                                    | $1 \cdot 10^{-3}$                                                                                                                                                                                                                                                                                                                                                                                  |
| "1E4"                                    | $1 \cdot 10^{-4}$                                                                                                                                                                                                                                                                                                                                                                                  |
| "1E5"                                    | $1 \cdot 10^{-5}$                                                                                                                                                                                                                                                                                                                                                                                  |

|                                              |                                                                                                                                 |                                                        |
|----------------------------------------------|---------------------------------------------------------------------------------------------------------------------------------|--------------------------------------------------------|
|                                              | "1E6"                                                                                                                           | 1•10 <sup>-6</sup>                                     |
|                                              | "6E8"                                                                                                                           | 6•10 <sup>-8</sup>                                     |
| <b>&lt;Delivery of erroneous SDUs&gt;:</b>   | indicates whether SDUs detected as erroneous shall be delivered or not<br>integer type                                          |                                                        |
|                                              | 0                                                                                                                               | no                                                     |
|                                              | 1                                                                                                                               | yes                                                    |
|                                              | 2                                                                                                                               | no detect                                              |
|                                              | 3                                                                                                                               | subscribed value (default value)                       |
| <b>&lt;Transfer delay&gt;:</b>               | targeted time between request to transfer an SDU at one SAP to its delivery at the other SAP, in milliseconds<br>integer type   |                                                        |
|                                              | <i>Note: The transfer delay value is ignored, if the Traffic Class is Interactive class or Background class.</i>                |                                                        |
|                                              | 0                                                                                                                               | subscribed transfer delay (default value)              |
|                                              | 10 – 150                                                                                                                        | in 10 ms increments                                    |
|                                              | 200 – 950                                                                                                                       | in 50 kbps increments                                  |
|                                              | 1000 – 4000                                                                                                                     | in 100 ms increments                                   |
| <b>&lt;Traffic handling priority&gt;:</b>    | relative importance for handling of all SDUs belonging to the UMTS bearer compared to the SDUs of other bearers<br>integer type |                                                        |
|                                              | <i>Note: The transfer delay value is ignored if the Traffic Class is Conversation, Streaming class or Background class.</i>     |                                                        |
|                                              | 0                                                                                                                               | subscribed transfer delay (default value)              |
|                                              | 1                                                                                                                               | priority level 1                                       |
|                                              | 2                                                                                                                               | priority level 2                                       |
|                                              | 3                                                                                                                               | priority level 3                                       |
| <b>&lt;Source statistics descriptor&gt;:</b> | characteristics of the source of the submitted SDUs for a PDP context<br>integer type                                           |                                                        |
|                                              | this parameter should be provided if the Traffic Class is specified as conversation or streaming                                |                                                        |
|                                              | this parameter is ignored if the Traffic Class is Interactive class or Background class                                         |                                                        |
|                                              | 0                                                                                                                               | characteristics of SDUs is unknown (default value)     |
|                                              | 1                                                                                                                               | characteristics of SDUs corresponds to a speech source |

|                                       |                                                                                                                                                                                                                                                                                               |
|---------------------------------------|-----------------------------------------------------------------------------------------------------------------------------------------------------------------------------------------------------------------------------------------------------------------------------------------------|
| <b>&lt;Signalling Indication&gt;:</b> | <p>signaling content of submitted SDUs for a PDP context</p> <p>integer type</p> <p>this parameter should be provided if the Traffic Class is specified as interactive</p> <p>this parameter is ignored if the Traffic Class is Conversational class, Streaming class or Background class</p> |
| 0                                     | PDP context is not optimized for signalling (default value)                                                                                                                                                                                                                                   |
| 1                                     | PDP context is optimized for signalling <PDP_type>: (see <a href="#">+CGDCONT</a> command)                                                                                                                                                                                                    |
| <b>&lt;PDP type&gt;</b>               | (Packet Data Protocol type) a string parameter which specifies the type of packet data protocol                                                                                                                                                                                               |
| "IP"                                  | internet protocol                                                                                                                                                                                                                                                                             |
| "PP"                                  | point to point protocol                                                                                                                                                                                                                                                                       |

### 14.20.4. Parameter Storage

The parameters are stored in EEPROM without using AT&W command. Default values can be restored using AT&F.

### 14.20.5. Examples

| Command                                                                      | Responses                                                                                                                                                                                                                                                                                                                                                                                                                                                                                                                                                                                                                                                  |
|------------------------------------------------------------------------------|------------------------------------------------------------------------------------------------------------------------------------------------------------------------------------------------------------------------------------------------------------------------------------------------------------------------------------------------------------------------------------------------------------------------------------------------------------------------------------------------------------------------------------------------------------------------------------------------------------------------------------------------------------|
| <b>AT+CGEQREQ=?</b><br><br><i>Note: Test command</i>                         | <pre>+CGEQREQ: "IP", (0-4), (0-8640, 65535), (0-16000, 65535), (0-8640, 65535), (0-16000, 65535), (0-2), (0, 10-1500, 1502, 1510, 1520), ("0E0", "1E1", "1E2", "7E3", "1E3", "1E4", "1E5", "1E6"), ("0E0", "5E2", "1E2", "5E3", "4E3", "1E3", "1E4", "1E5", "1E6", "6E8"), (0-3), (0, 10-4000), (0-3), (0-1), (0-1)</pre> <pre>+CGEQREQ: "PPP", (0-4), (0-8640, 65535), (0-16000, 65535), (0-8640, 65535), (0-16000, 65535), (0-2), (0, 10-1500, 1502, 1510, 1520), ("0E0", "1E1", "1E2", "7E3", "1E3", "1E4", "1E5", "1E6"), ("0E0", "5E2", "1E2", "5E3", "4E3", "1E3", "1E4", "1E5", "1E6", "6E8"), (0-3), (0, 10-4000), (0-3), (0-1), (0-1)</pre><br>OK |
| <b>AT+CGDCONT=1, "IP", "internet";</b><br><b>+CGDCONT=2, "IP", "abc.com"</b> | OK                                                                                                                                                                                                                                                                                                                                                                                                                                                                                                                                                                                                                                                         |
| <b>AT+CGEQREQ?</b><br><br><i>Note: Read command</i>                          | <pre>+CGEQREQ: 1, 4, 0, 0, 0, 0, 2, 0, "0E0", "0E0", 3, 0, 0, 0, 0</pre> <pre>+CGEQREQ: 2, 4, 0, 0, 0, 0, 2, 0, "0E0", "0E0", 3, 0, 0, 0, 0</pre><br>OK                                                                                                                                                                                                                                                                                                                                                                                                                                                                                                    |

| Command                                                                                                                                                  | Responses                                                                                                                   |
|----------------------------------------------------------------------------------------------------------------------------------------------------------|-----------------------------------------------------------------------------------------------------------------------------|
| <b>AT+CGEQREQ=1,3,0,128,0,0,2,1500,"0E0",<br/>"0E0",3,0,0,0,0</b><br><br><i>Note: Specifies a 3G QoS profile for PDP context #1</i>                      | OK                                                                                                                          |
| <b>AT+CGEQREQ?</b><br><br><i>Note: Read command</i>                                                                                                      | +CGEQREQ:<br>1,3,0,128,0,0,2,1500,"0E0","0E0",3,0,0,0,0<br><br>+CGEQREQ:<br>2,4,0,0,0,0,2,0,"0E0","0E0",3,0,0,0,0<br><br>OK |
| <b>AT+CGEQREQ=1</b><br><br><i>Note: Undefined 3G QoS profile for PDP context #1</i>                                                                      | OK                                                                                                                          |
| <b>AT+CGEQREQ?</b><br><br><i>Note: Undefined 3G QoS profile for PDP context #1</i>                                                                       | +CGEQREQ:<br>1,4,0,0,0,0,2,0,"0E0","0E0",3,0,0,0,0<br><br>+CGEQREQ:<br>2,4,0,0,0,0,2,0,"0E0","0E0",3,0,0,0,0<br><br>OK      |
| <b>AT+CGEQREQ=3,3,32,0,0,0,2,0,"0E0","0E0",<br/>3,0,0</b><br><br><i>Note: Specifies a 3G QoS profile for PDP context #3 which<br/>is not defined yet</i> | +CME ERROR: 3                                                                                                               |

### 14.20.6. Notes

| Traffic class               | Conversational class<br>conversational RT                                                                                              | Streaming class<br>streaming RT                                               | Interactive class<br>Interactive best effort             | Background<br>Background best effort                                                        |
|-----------------------------|----------------------------------------------------------------------------------------------------------------------------------------|-------------------------------------------------------------------------------|----------------------------------------------------------|---------------------------------------------------------------------------------------------|
| Fundamental characteristics | Preserve time relation (variation) between information entities of the stream<br><br>Conversational pattern (stringent and low delay ) | Preserve time relation (variation) between information entities of the stream | Request response pattern<br><br>Preserve payload content | Destination is not expecting the data within a certain time<br><br>Preserve payload content |
| Example of the application  | voice                                                                                                                                  | streaming video                                                               | Web browsing                                             | background download of emails                                                               |

**Table 5: UMTS QoS classes**



*Read command*

**AT+CGEQMIN?**

+CGEQMIN: <cid>,<Traffic class>,<Maximum bitrate UL>,<Maximum bitrate DL>,<Guaranteed bitrate UL>,<Guaranteed bitrate DL>,<Delivery order>,<Maximum SDU size>,<SDU error ratio>,<Residual bit error ratio> ,<Delivery of erroneous SDUs>,<Transfer delay>,<Traffic handling priority>,<Source statistics descriptor>,<Signalling indication>

[<CR><LF>+CGEQMIN: <cid>,<Traffic class>,<Maximum bitrate UL>,<Maximum bitrate DL>,<Guaranteed bitrate UL>,<Guaranteed bitrate DL>,<Delivery order>,<Maximum SDU size>,<SDU error ratio>,<Residual bit error ratio>,<Delivery of erroneous SDUs>,<Transfer delay>,<Traffic handling priority>,<Source statistics descriptor>,<Signalling indication>[...]]

OK

*Test command*

**AT+CGEQMIN=?**

+CGEQMIN: <PDP\_type>,(list of supported <Traffic class>s),(list of supported <Maximum bitrate UL>s),(list of supported <Maximum bitrate DL>s),(list of supported <Guaranteed bitrate UL>s),(list of supported <Guaranteed bitrate DL>s),(list of supported <Delivery order>s),(list of supported <Maximum SDU size>s),(list of supported <SDU error ratio>s) ,(list of supported <Residual bit error ratio>s),(list of supported <Delivery of erroneous SDUs>s),(list of supported <Transfer delay>s),(list of supported <Traffic handling priority>s) ,(list of supported <Source statistics descriptor>s) ,(list of supported <Signalling indication>s)

[<CR><LF>+CGEQMIN: <PDP\_type>,(list of supported <Traffic class>s) ,(list of supported <Maximum bitrate UL>s),(list of supported <Maximum bitrate DL>s),(list of supported <Guaranteed bitrate UL>s),(list of supported <Guaranteed bitrate DL>s),(list of supported <Delivery order>s),(list of supported <Maximum SDU size>s),(list of supported <SDU error ratio>s),(list of supported <Residual bit error ratio>s),(list of supported <Delivery of erroneous SDUs>s),(list of supported <Transfer delay>s),(list of supported <Traffic handling priority>s) ,(list of supported <Source statistics descriptor>s) ,(list of supported <Signalling indication>s)[...]]

OK

### 14.21.3. Parameters and Defined Values

|                                    |                                                                                                                                                                                                                                                                          |
|------------------------------------|--------------------------------------------------------------------------------------------------------------------------------------------------------------------------------------------------------------------------------------------------------------------------|
| <b>&lt;cid&gt;:</b>                | a particular PDP context definition (see <a href="#">+CGDCONT</a> and +CGDSCONT commands)<br>integer type                                                                                                                                                                |
| <b>&lt;Traffic class&gt;:</b>      | type of application for which the UMTS bearer service is optimized. Please refer to <a href="#">Table 1: UMTS QoS classes</a> for more information on QoS classes<br>integer type                                                                                        |
| 0                                  | conversational                                                                                                                                                                                                                                                           |
| 1                                  | streaming                                                                                                                                                                                                                                                                |
| 2                                  | interactive                                                                                                                                                                                                                                                              |
| 3                                  | background                                                                                                                                                                                                                                                               |
| 4                                  | subscribed value (default value)                                                                                                                                                                                                                                         |
| <b>&lt;Maximum bitrate UL&gt;:</b> | maximum number of kbits/s delivered to UMTS (up-link traffic) at a SAP<br>integer type<br>if the parameter is set to "0", the subscribed value will be requested<br>this parameter should be provided if the Traffic class is specified as conversational or streaming   |
| 0                                  | subscribed maximum bit rate for uplink (default value)                                                                                                                                                                                                                   |
| 65535                              | 0 kbps                                                                                                                                                                                                                                                                   |
| 1 – 63                             | in 1 kbps increment                                                                                                                                                                                                                                                      |
| 64 – 568                           | in 8 kbps increments                                                                                                                                                                                                                                                     |
| 576 - 8640                         | in 64 kbps increments                                                                                                                                                                                                                                                    |
| <b>&lt;Maximum bitrate DL&gt;:</b> | maximum number of kbits/s delivered by UMTS (down-link traffic) at a SAP<br>integer type<br>if the parameter is set to "0", the subscribed value will be requested<br>this parameter should be provided if the Traffic class is specified as conversational or streaming |
| 0                                  | subscribed maximum bit rate for downlink (default value)                                                                                                                                                                                                                 |
| 65535                              | 0 kbps                                                                                                                                                                                                                                                                   |
| 1 – 63                             | in 1 kbps increment                                                                                                                                                                                                                                                      |
| 64 – 568                           | in 8 kbps increments                                                                                                                                                                                                                                                     |
| 576 - 8640                         | in 64 kbps increments                                                                                                                                                                                                                                                    |
| 8640 - 16000                       | in 100 kbps increments                                                                                                                                                                                                                                                   |

|                                       |                                                                                                                                                                                                                                                                                                                                                                                                                                                                                                                                                                                                                                                                                                                                                                                                                                                                                                                                                                                                                                                                                                                                                                                                                                                                                                                                                                                                                                                                                                                                                   |   |                                                          |       |        |        |                                  |          |                      |            |                       |              |                        |
|---------------------------------------|---------------------------------------------------------------------------------------------------------------------------------------------------------------------------------------------------------------------------------------------------------------------------------------------------------------------------------------------------------------------------------------------------------------------------------------------------------------------------------------------------------------------------------------------------------------------------------------------------------------------------------------------------------------------------------------------------------------------------------------------------------------------------------------------------------------------------------------------------------------------------------------------------------------------------------------------------------------------------------------------------------------------------------------------------------------------------------------------------------------------------------------------------------------------------------------------------------------------------------------------------------------------------------------------------------------------------------------------------------------------------------------------------------------------------------------------------------------------------------------------------------------------------------------------------|---|----------------------------------------------------------|-------|--------|--------|----------------------------------|----------|----------------------|------------|-----------------------|--------------|------------------------|
| <b>&lt;Guaranteed bitrate UL&gt;:</b> | <p>guaranteed number of kbits/s delivered to UMTS (up-link traffic) at a SAP (provided that there is data to deliver)</p> <p>integer type</p> <p>if the parameter is set to "0", the subscribed value will be requested</p> <p>this parameter should be provided if the Traffic class is specified as conversational or streaming.</p> <hr style="border: 1px solid red;"/> <p><i>Note: The Guaranteed bit rate for uplink value is ignored if the Traffic Class is Interactive class or Background class, or Maximum bit rate for uplink is set to 0 kbps.</i></p> <hr style="border: 1px solid red;"/> <table style="width: 100%; border-collapse: collapse;"> <tr> <td style="width: 10%; border-right: 1px solid black; padding: 2px;">0</td> <td style="padding: 2px;">subscribed maximum bit rate for uplink (default value)</td> </tr> <tr> <td style="border-right: 1px solid black; padding: 2px;">65535</td> <td style="padding: 2px;">0 kbps</td> </tr> <tr> <td style="border-right: 1px solid black; padding: 2px;">1 – 63</td> <td style="padding: 2px;">in 1 kbps increment</td> </tr> <tr> <td style="border-right: 1px solid black; padding: 2px;">64 – 568</td> <td style="padding: 2px;">in 8 kbps increments</td> </tr> <tr> <td style="border-right: 1px solid black; padding: 2px;">576 - 8640</td> <td style="padding: 2px;">in 64 kbps increments</td> </tr> </table>                                                                                                                                                     | 0 | subscribed maximum bit rate for uplink (default value)   | 65535 | 0 kbps | 1 – 63 | in 1 kbps increment              | 64 – 568 | in 8 kbps increments | 576 - 8640 | in 64 kbps increments |              |                        |
| 0                                     | subscribed maximum bit rate for uplink (default value)                                                                                                                                                                                                                                                                                                                                                                                                                                                                                                                                                                                                                                                                                                                                                                                                                                                                                                                                                                                                                                                                                                                                                                                                                                                                                                                                                                                                                                                                                            |   |                                                          |       |        |        |                                  |          |                      |            |                       |              |                        |
| 65535                                 | 0 kbps                                                                                                                                                                                                                                                                                                                                                                                                                                                                                                                                                                                                                                                                                                                                                                                                                                                                                                                                                                                                                                                                                                                                                                                                                                                                                                                                                                                                                                                                                                                                            |   |                                                          |       |        |        |                                  |          |                      |            |                       |              |                        |
| 1 – 63                                | in 1 kbps increment                                                                                                                                                                                                                                                                                                                                                                                                                                                                                                                                                                                                                                                                                                                                                                                                                                                                                                                                                                                                                                                                                                                                                                                                                                                                                                                                                                                                                                                                                                                               |   |                                                          |       |        |        |                                  |          |                      |            |                       |              |                        |
| 64 – 568                              | in 8 kbps increments                                                                                                                                                                                                                                                                                                                                                                                                                                                                                                                                                                                                                                                                                                                                                                                                                                                                                                                                                                                                                                                                                                                                                                                                                                                                                                                                                                                                                                                                                                                              |   |                                                          |       |        |        |                                  |          |                      |            |                       |              |                        |
| 576 - 8640                            | in 64 kbps increments                                                                                                                                                                                                                                                                                                                                                                                                                                                                                                                                                                                                                                                                                                                                                                                                                                                                                                                                                                                                                                                                                                                                                                                                                                                                                                                                                                                                                                                                                                                             |   |                                                          |       |        |        |                                  |          |                      |            |                       |              |                        |
| <b>&lt;Guaranteed bitrate DL&gt;:</b> | <p>guaranteed number of kbits/s delivered by UMTS (down-link traffic) at a SAP (provided that there is data to deliver)</p> <p>integer type</p> <p>if the parameter is set to "0", the subscribed value will be requested</p> <p>this parameter should be provided if the Traffic class is specified as conversational or streaming.</p> <hr style="border: 1px solid red;"/> <p><i>Note: The Guaranteed bit rate for downlink value is ignored if the Traffic Class is Interactive class or Background class, or Maximum bit rate for downlink is set to 0 kbps.</i></p> <hr style="border: 1px solid red;"/> <table style="width: 100%; border-collapse: collapse;"> <tr> <td style="width: 10%; border-right: 1px solid black; padding: 2px;">0</td> <td style="padding: 2px;">subscribed maximum bit rate for downlink (default value)</td> </tr> <tr> <td style="border-right: 1px solid black; padding: 2px;">65535</td> <td style="padding: 2px;">0 kbps</td> </tr> <tr> <td style="border-right: 1px solid black; padding: 2px;">1 – 63</td> <td style="padding: 2px;">in 1 kbps increment</td> </tr> <tr> <td style="border-right: 1px solid black; padding: 2px;">64 – 568</td> <td style="padding: 2px;">in 8 kbps increments</td> </tr> <tr> <td style="border-right: 1px solid black; padding: 2px;">576 – 8640</td> <td style="padding: 2px;">in 64 kbps increments</td> </tr> <tr> <td style="border-right: 1px solid black; padding: 2px;">8640 - 16000</td> <td style="padding: 2px;">in 100 kbps increments</td> </tr> </table> | 0 | subscribed maximum bit rate for downlink (default value) | 65535 | 0 kbps | 1 – 63 | in 1 kbps increment              | 64 – 568 | in 8 kbps increments | 576 – 8640 | in 64 kbps increments | 8640 - 16000 | in 100 kbps increments |
| 0                                     | subscribed maximum bit rate for downlink (default value)                                                                                                                                                                                                                                                                                                                                                                                                                                                                                                                                                                                                                                                                                                                                                                                                                                                                                                                                                                                                                                                                                                                                                                                                                                                                                                                                                                                                                                                                                          |   |                                                          |       |        |        |                                  |          |                      |            |                       |              |                        |
| 65535                                 | 0 kbps                                                                                                                                                                                                                                                                                                                                                                                                                                                                                                                                                                                                                                                                                                                                                                                                                                                                                                                                                                                                                                                                                                                                                                                                                                                                                                                                                                                                                                                                                                                                            |   |                                                          |       |        |        |                                  |          |                      |            |                       |              |                        |
| 1 – 63                                | in 1 kbps increment                                                                                                                                                                                                                                                                                                                                                                                                                                                                                                                                                                                                                                                                                                                                                                                                                                                                                                                                                                                                                                                                                                                                                                                                                                                                                                                                                                                                                                                                                                                               |   |                                                          |       |        |        |                                  |          |                      |            |                       |              |                        |
| 64 – 568                              | in 8 kbps increments                                                                                                                                                                                                                                                                                                                                                                                                                                                                                                                                                                                                                                                                                                                                                                                                                                                                                                                                                                                                                                                                                                                                                                                                                                                                                                                                                                                                                                                                                                                              |   |                                                          |       |        |        |                                  |          |                      |            |                       |              |                        |
| 576 – 8640                            | in 64 kbps increments                                                                                                                                                                                                                                                                                                                                                                                                                                                                                                                                                                                                                                                                                                                                                                                                                                                                                                                                                                                                                                                                                                                                                                                                                                                                                                                                                                                                                                                                                                                             |   |                                                          |       |        |        |                                  |          |                      |            |                       |              |                        |
| 8640 - 16000                          | in 100 kbps increments                                                                                                                                                                                                                                                                                                                                                                                                                                                                                                                                                                                                                                                                                                                                                                                                                                                                                                                                                                                                                                                                                                                                                                                                                                                                                                                                                                                                                                                                                                                            |   |                                                          |       |        |        |                                  |          |                      |            |                       |              |                        |
| <b>&lt;Delivery order&gt;:</b>        | <p>indicates whether the UMTS bearer shall provide in-sequence SDU delivery or not</p> <p>integer type</p> <table style="width: 100%; border-collapse: collapse;"> <tr> <td style="width: 10%; border-right: 1px solid black; padding: 2px;">0</td> <td style="padding: 2px;">no</td> </tr> <tr> <td style="border-right: 1px solid black; padding: 2px;">1</td> <td style="padding: 2px;">yes</td> </tr> <tr> <td style="border-right: 1px solid black; padding: 2px;">2</td> <td style="padding: 2px;">subscribed value (default value)</td> </tr> </table>                                                                                                                                                                                                                                                                                                                                                                                                                                                                                                                                                                                                                                                                                                                                                                                                                                                                                                                                                                                     | 0 | no                                                       | 1     | yes    | 2      | subscribed value (default value) |          |                      |            |                       |              |                        |
| 0                                     | no                                                                                                                                                                                                                                                                                                                                                                                                                                                                                                                                                                                                                                                                                                                                                                                                                                                                                                                                                                                                                                                                                                                                                                                                                                                                                                                                                                                                                                                                                                                                                |   |                                                          |       |        |        |                                  |          |                      |            |                       |              |                        |
| 1                                     | yes                                                                                                                                                                                                                                                                                                                                                                                                                                                                                                                                                                                                                                                                                                                                                                                                                                                                                                                                                                                                                                                                                                                                                                                                                                                                                                                                                                                                                                                                                                                                               |   |                                                          |       |        |        |                                  |          |                      |            |                       |              |                        |
| 2                                     | subscribed value (default value)                                                                                                                                                                                                                                                                                                                                                                                                                                                                                                                                                                                                                                                                                                                                                                                                                                                                                                                                                                                                                                                                                                                                                                                                                                                                                                                                                                                                                                                                                                                  |   |                                                          |       |        |        |                                  |          |                      |            |                       |              |                        |



|                                          |                                                                                                                                                                                                                                                                                                                                                                                                                                                                                                                                                                                                                                                                                                                                                                                                                                                                                                                                                                                                                                                   |       |                                               |           |                         |       |                   |       |                   |       |                   |       |                   |       |                   |       |                   |
|------------------------------------------|---------------------------------------------------------------------------------------------------------------------------------------------------------------------------------------------------------------------------------------------------------------------------------------------------------------------------------------------------------------------------------------------------------------------------------------------------------------------------------------------------------------------------------------------------------------------------------------------------------------------------------------------------------------------------------------------------------------------------------------------------------------------------------------------------------------------------------------------------------------------------------------------------------------------------------------------------------------------------------------------------------------------------------------------------|-------|-----------------------------------------------|-----------|-------------------------|-------|-------------------|-------|-------------------|-------|-------------------|-------|-------------------|-------|-------------------|-------|-------------------|
| <b>&lt;Maximum SDU size&gt;:</b>         | <p>maximum allowed SDU size in octets</p> <p>integer type</p> <p>if the parameter is set to "0", the subscribed value will be requested</p> <table border="1" style="width: 100%; border-collapse: collapse;"> <tr> <td style="width: 10%;">0</td> <td>subscribed maximum SDU size (default value)</td> </tr> <tr> <td>10 – 1500</td> <td>in 10 octets increments</td> </tr> <tr> <td>1502</td> <td></td> </tr> <tr> <td>1510</td> <td></td> </tr> <tr> <td>1520</td> <td></td> </tr> </table>                                                                                                                                                                                                                                                                                                                                                                                                                                                                                                                                                    | 0     | subscribed maximum SDU size (default value)   | 10 – 1500 | in 10 octets increments | 1502  |                   | 1510  |                   | 1520  |                   |       |                   |       |                   |       |                   |
| 0                                        | subscribed maximum SDU size (default value)                                                                                                                                                                                                                                                                                                                                                                                                                                                                                                                                                                                                                                                                                                                                                                                                                                                                                                                                                                                                       |       |                                               |           |                         |       |                   |       |                   |       |                   |       |                   |       |                   |       |                   |
| 10 – 1500                                | in 10 octets increments                                                                                                                                                                                                                                                                                                                                                                                                                                                                                                                                                                                                                                                                                                                                                                                                                                                                                                                                                                                                                           |       |                                               |           |                         |       |                   |       |                   |       |                   |       |                   |       |                   |       |                   |
| 1502                                     |                                                                                                                                                                                                                                                                                                                                                                                                                                                                                                                                                                                                                                                                                                                                                                                                                                                                                                                                                                                                                                                   |       |                                               |           |                         |       |                   |       |                   |       |                   |       |                   |       |                   |       |                   |
| 1510                                     |                                                                                                                                                                                                                                                                                                                                                                                                                                                                                                                                                                                                                                                                                                                                                                                                                                                                                                                                                                                                                                                   |       |                                               |           |                         |       |                   |       |                   |       |                   |       |                   |       |                   |       |                   |
| 1520                                     |                                                                                                                                                                                                                                                                                                                                                                                                                                                                                                                                                                                                                                                                                                                                                                                                                                                                                                                                                                                                                                                   |       |                                               |           |                         |       |                   |       |                   |       |                   |       |                   |       |                   |       |                   |
| <b>&lt;SDU error ratio&gt;:</b>          | <p>target value for the fraction of SDUs lost or detected as erroneous. SDU error ratio is defined only for conforming traffic. The value is specified as "mEe".</p> <p>string type</p> <p>Example: a target SDU error ratio of <math>1 \cdot 10^{-3}</math> would be specified as "1E3" (e.g. AT+CGEQMIN=..., "1E3", ...). "0E0" means subscribed value.</p> <table border="1" style="width: 100%; border-collapse: collapse;"> <tr> <td style="width: 10%;">"0E0"</td> <td>0, subscribed SDU error ratio (default value)</td> </tr> <tr> <td>"1E2"</td> <td><math>1 \cdot 10^{-2}</math></td> </tr> <tr> <td>"7E3"</td> <td><math>7 \cdot 10^{-3}</math></td> </tr> <tr> <td>"1E3"</td> <td><math>1 \cdot 10^{-3}</math></td> </tr> <tr> <td>"1E4"</td> <td><math>1 \cdot 10^{-4}</math></td> </tr> <tr> <td>"1E5"</td> <td><math>1 \cdot 10^{-5}</math></td> </tr> <tr> <td>"1E6"</td> <td><math>1 \cdot 10^{-6}</math></td> </tr> </table>                                                                                                    | "0E0" | 0, subscribed SDU error ratio (default value) | "1E2"     | $1 \cdot 10^{-2}$       | "7E3" | $7 \cdot 10^{-3}$ | "1E3" | $1 \cdot 10^{-3}$ | "1E4" | $1 \cdot 10^{-4}$ | "1E5" | $1 \cdot 10^{-5}$ | "1E6" | $1 \cdot 10^{-6}$ |       |                   |
| "0E0"                                    | 0, subscribed SDU error ratio (default value)                                                                                                                                                                                                                                                                                                                                                                                                                                                                                                                                                                                                                                                                                                                                                                                                                                                                                                                                                                                                     |       |                                               |           |                         |       |                   |       |                   |       |                   |       |                   |       |                   |       |                   |
| "1E2"                                    | $1 \cdot 10^{-2}$                                                                                                                                                                                                                                                                                                                                                                                                                                                                                                                                                                                                                                                                                                                                                                                                                                                                                                                                                                                                                                 |       |                                               |           |                         |       |                   |       |                   |       |                   |       |                   |       |                   |       |                   |
| "7E3"                                    | $7 \cdot 10^{-3}$                                                                                                                                                                                                                                                                                                                                                                                                                                                                                                                                                                                                                                                                                                                                                                                                                                                                                                                                                                                                                                 |       |                                               |           |                         |       |                   |       |                   |       |                   |       |                   |       |                   |       |                   |
| "1E3"                                    | $1 \cdot 10^{-3}$                                                                                                                                                                                                                                                                                                                                                                                                                                                                                                                                                                                                                                                                                                                                                                                                                                                                                                                                                                                                                                 |       |                                               |           |                         |       |                   |       |                   |       |                   |       |                   |       |                   |       |                   |
| "1E4"                                    | $1 \cdot 10^{-4}$                                                                                                                                                                                                                                                                                                                                                                                                                                                                                                                                                                                                                                                                                                                                                                                                                                                                                                                                                                                                                                 |       |                                               |           |                         |       |                   |       |                   |       |                   |       |                   |       |                   |       |                   |
| "1E5"                                    | $1 \cdot 10^{-5}$                                                                                                                                                                                                                                                                                                                                                                                                                                                                                                                                                                                                                                                                                                                                                                                                                                                                                                                                                                                                                                 |       |                                               |           |                         |       |                   |       |                   |       |                   |       |                   |       |                   |       |                   |
| "1E6"                                    | $1 \cdot 10^{-6}$                                                                                                                                                                                                                                                                                                                                                                                                                                                                                                                                                                                                                                                                                                                                                                                                                                                                                                                                                                                                                                 |       |                                               |           |                         |       |                   |       |                   |       |                   |       |                   |       |                   |       |                   |
| <b>&lt;Residual bit error ratio&gt;:</b> | <p>target value for the undetected bit error ratio in the delivered SDUs. If no error detection is requested, Residual bit error ratio indicates the bit error ratio in the delivered SDUs. The value is specified as 'mEe'.</p> <p>string type</p> <p>Example: a target residual bit error ratio of <math>5 \cdot 10^{-3}</math> would be specified as "5E3" (e.g. AT+CGEQMIN=..., "5E3", ...)</p> <table border="1" style="width: 100%; border-collapse: collapse;"> <tr> <td style="width: 10%;">"0E0"</td> <td>0, subscribed residual BER (default value)</td> </tr> <tr> <td>"5E2"</td> <td><math>5 \cdot 10^{-2}</math></td> </tr> <tr> <td>"1E2"</td> <td><math>1 \cdot 10^{-2}</math></td> </tr> <tr> <td>"5E3"</td> <td><math>5 \cdot 10^{-3}</math></td> </tr> <tr> <td>"4E3"</td> <td><math>4 \cdot 10^{-3}</math></td> </tr> <tr> <td>"1E3"</td> <td><math>1 \cdot 10^{-3}</math></td> </tr> <tr> <td>"1E4"</td> <td><math>1 \cdot 10^{-4}</math></td> </tr> <tr> <td>"1E5"</td> <td><math>1 \cdot 10^{-5}</math></td> </tr> </table> | "0E0" | 0, subscribed residual BER (default value)    | "5E2"     | $5 \cdot 10^{-2}$       | "1E2" | $1 \cdot 10^{-2}$ | "5E3" | $5 \cdot 10^{-3}$ | "4E3" | $4 \cdot 10^{-3}$ | "1E3" | $1 \cdot 10^{-3}$ | "1E4" | $1 \cdot 10^{-4}$ | "1E5" | $1 \cdot 10^{-5}$ |
| "0E0"                                    | 0, subscribed residual BER (default value)                                                                                                                                                                                                                                                                                                                                                                                                                                                                                                                                                                                                                                                                                                                                                                                                                                                                                                                                                                                                        |       |                                               |           |                         |       |                   |       |                   |       |                   |       |                   |       |                   |       |                   |
| "5E2"                                    | $5 \cdot 10^{-2}$                                                                                                                                                                                                                                                                                                                                                                                                                                                                                                                                                                                                                                                                                                                                                                                                                                                                                                                                                                                                                                 |       |                                               |           |                         |       |                   |       |                   |       |                   |       |                   |       |                   |       |                   |
| "1E2"                                    | $1 \cdot 10^{-2}$                                                                                                                                                                                                                                                                                                                                                                                                                                                                                                                                                                                                                                                                                                                                                                                                                                                                                                                                                                                                                                 |       |                                               |           |                         |       |                   |       |                   |       |                   |       |                   |       |                   |       |                   |
| "5E3"                                    | $5 \cdot 10^{-3}$                                                                                                                                                                                                                                                                                                                                                                                                                                                                                                                                                                                                                                                                                                                                                                                                                                                                                                                                                                                                                                 |       |                                               |           |                         |       |                   |       |                   |       |                   |       |                   |       |                   |       |                   |
| "4E3"                                    | $4 \cdot 10^{-3}$                                                                                                                                                                                                                                                                                                                                                                                                                                                                                                                                                                                                                                                                                                                                                                                                                                                                                                                                                                                                                                 |       |                                               |           |                         |       |                   |       |                   |       |                   |       |                   |       |                   |       |                   |
| "1E3"                                    | $1 \cdot 10^{-3}$                                                                                                                                                                                                                                                                                                                                                                                                                                                                                                                                                                                                                                                                                                                                                                                                                                                                                                                                                                                                                                 |       |                                               |           |                         |       |                   |       |                   |       |                   |       |                   |       |                   |       |                   |
| "1E4"                                    | $1 \cdot 10^{-4}$                                                                                                                                                                                                                                                                                                                                                                                                                                                                                                                                                                                                                                                                                                                                                                                                                                                                                                                                                                                                                                 |       |                                               |           |                         |       |                   |       |                   |       |                   |       |                   |       |                   |       |                   |
| "1E5"                                    | $1 \cdot 10^{-5}$                                                                                                                                                                                                                                                                                                                                                                                                                                                                                                                                                                                                                                                                                                                                                                                                                                                                                                                                                                                                                                 |       |                                               |           |                         |       |                   |       |                   |       |                   |       |                   |       |                   |       |                   |

|                                                                                                                                        |             |                                                                                                                                 |  |
|----------------------------------------------------------------------------------------------------------------------------------------|-------------|---------------------------------------------------------------------------------------------------------------------------------|--|
|                                                                                                                                        | "1E6"       | 1•10 <sup>-6</sup>                                                                                                              |  |
|                                                                                                                                        | "6E8"       | 6•10 <sup>-8</sup>                                                                                                              |  |
| <b>&lt;Delivery of erroneous SDUs&gt;:</b>                                                                                             |             | indicates whether SDUs detected as erroneous shall be delivered or not<br>integer type                                          |  |
|                                                                                                                                        | 0           | no                                                                                                                              |  |
|                                                                                                                                        | 1           | yes                                                                                                                             |  |
|                                                                                                                                        | 2           | no detect                                                                                                                       |  |
|                                                                                                                                        | 3           | subscribed value (default value)                                                                                                |  |
| <b>&lt;Transfer delay&gt;:</b>                                                                                                         |             | targeted time between request to transfer an SDU at one SAP to its delivery at the other SAP, in milliseconds<br>integer type   |  |
| <i>Note: The transfer delay value is ignored, if the Traffic Class is Interactive class or Background class.</i>                       |             |                                                                                                                                 |  |
|                                                                                                                                        | 0           | subscribed transfer delay (default value)                                                                                       |  |
|                                                                                                                                        | 10 – 150    | in 10 ms increments                                                                                                             |  |
|                                                                                                                                        | 200 – 950   | in 50 ms increments                                                                                                             |  |
|                                                                                                                                        | 1000 – 4000 | in 100 ms increments                                                                                                            |  |
| <b>&lt;Traffic handling priority&gt;:</b>                                                                                              |             | relative importance for handling of all SDUs belonging to the UMTS bearer compared to the SDUs of other bearers<br>integer type |  |
| <i>Note: The Traffic handling priority value is ignored, if the Traffic Class is Conversation, Streaming class or Background class</i> |             |                                                                                                                                 |  |
|                                                                                                                                        | 0           | subscribed traffic delay (default value)                                                                                        |  |
|                                                                                                                                        | 1           | priority level 1                                                                                                                |  |
|                                                                                                                                        | 2           | priority level 2                                                                                                                |  |
|                                                                                                                                        | 3           | priority level 3                                                                                                                |  |

|                                             |                                                                                                                                                                                                                                                                                                         |
|---------------------------------------------|---------------------------------------------------------------------------------------------------------------------------------------------------------------------------------------------------------------------------------------------------------------------------------------------------------|
| <b>&lt;Source statistics descriptor&gt;</b> | <p>characteristics of the source of the submitted SDUs for a PDP context</p> <p>integer type</p> <p>this parameter should be provided if the Traffic Class is specified as conversation or streaming</p> <p>this parameter is ignored if the Traffic Class is Interactive class or Background class</p> |
| 0                                           | characteristics of SDUs is unknown (default value)                                                                                                                                                                                                                                                      |
| 1                                           | characteristics of SDUs corresponds to a speech source                                                                                                                                                                                                                                                  |
| <b>&lt;Signalling indication&gt;</b>        | <p>signaling content of submitted SDUs for a PDP context</p> <p>integer type</p> <p>this parameter should be provided if the Traffic Class is specified as interactive</p> <p>this parameter is ignored if the Traffic Class is Conversational class, Streaming class or Background class</p>           |
| 0                                           | PDP context is not optimized for signalling (default value)                                                                                                                                                                                                                                             |
| 1                                           | PDP context is optimized for signalling <PDP_type>: (see <a href="#">+CGDCONT</a> command)                                                                                                                                                                                                              |
| <b>&lt;PDP type&gt;</b>                     | <p>(Packet Data Protocol type) a string parameter which specifies the type of packet data protocol</p>                                                                                                                                                                                                  |
| "IP"                                        | internet protocol                                                                                                                                                                                                                                                                                       |
| "PP"                                        | point to point protocol                                                                                                                                                                                                                                                                                 |

#### 14.21.4. Parameter Storage

The parameters are stored in EEPROM without using AT&W command. Default values can be restored using AT&F.

### 14.21.5. Examples

| Command                                                                                                                                                                                                                                 | Responses                                                                                                                                                                                                                                                                                                                                                                                                                                                                                                                                                                                                                                       |
|-----------------------------------------------------------------------------------------------------------------------------------------------------------------------------------------------------------------------------------------|-------------------------------------------------------------------------------------------------------------------------------------------------------------------------------------------------------------------------------------------------------------------------------------------------------------------------------------------------------------------------------------------------------------------------------------------------------------------------------------------------------------------------------------------------------------------------------------------------------------------------------------------------|
| <b>AT+CGEQMIN=?</b><br><br><i>Note: Test command</i>                                                                                                                                                                                    | +CGEQMIN: "IP", (0-4), (0-8640, 65535), (0-16000, 65535), (0-8640, 65535), (0-16000, 65535), (0-2), (0, 10-1500, 1502, 1510, 1520), ("0E0", "1E1", "1E2", "7E3", "1E3", "1E4", "1E5", "1E6"), ("0E0", "5E2", "1E2", "5E3", "4E3", "1E3", "1E4", "1E5", "1E6", "6E8"), (0-3), (0, 10-4000), (0-3), (0-1), (0-1)<br><br>+CGEQMIN: "PPP", (0-4), (0-8640, 65535), (0-16000, 65535), (0-8640, 65535), (0-16000, 65535), (0-2), (0, 10-1500, 1502, 1510, 1520), ("0E0", "1E1", "1E2", "7E3", "1E3", "1E4", "1E5", "1E6"), ("0E0", "5E2", "1E2", "5E3", "4E3", "1E3", "1E4", "1E5", "1E6", "6E8"), (0-3), (0, 10-4000), (0-3), (0-1), (0-1)<br><br>OK |
| <b>AT+CGDCONT=1, "IP", "internet";+CGDCONT=2, "IP", "abc.com"</b>                                                                                                                                                                       | OK                                                                                                                                                                                                                                                                                                                                                                                                                                                                                                                                                                                                                                              |
| <b>AT+CGEQMIN?</b><br><br><i>Note: Read command</i>                                                                                                                                                                                     | +CGEQMIN: 1, 4, 0, 0, 0, 0, 2, 0, "0E0", "0E0", 3, 0, 0, 0, 0<br>+CGEQMIN: 2, 4, 0, 0, 0, 0, 2, 0, "0E0", "0E0", 3, 0, 0, 0, 0<br><br>OK                                                                                                                                                                                                                                                                                                                                                                                                                                                                                                        |
| <b>AT+CGEQMIN=1, 3, 32, 0, 0, 0, 2, 0, "0E0", "0E0", 3, 0, 0, 0, 0</b><br><br><i>Note: Set the minimum 3G QoS for Cid=1, Traffic class = background, Maximum bitrate UL = 32kbits, and all other parameters set to subscribed value</i> | OK                                                                                                                                                                                                                                                                                                                                                                                                                                                                                                                                                                                                                                              |
| <b>AT+CGEQMIN?</b><br><br><i>Note: Read command</i>                                                                                                                                                                                     | +CGEQMIN:<br>1, 3, 32, 0, 0, 0, 2, 0, "0E0", "0E0", 3, 0, 0, 0, 0<br>+CGEQMIN: 2, 4, 0, 0, 0, 0, 2, 0, "0E0", "0E0", 3, 0, 0, 0, 0<br><br>OK                                                                                                                                                                                                                                                                                                                                                                                                                                                                                                    |
| <b>AT+CGEQMIN=1</b><br><br><i>Note: Undefined 3G QoS profile (minimum acceptable) for PDP context #1</i>                                                                                                                                | OK                                                                                                                                                                                                                                                                                                                                                                                                                                                                                                                                                                                                                                              |
| <b>AT+CGEQMIN?</b><br><br><i>Note: Read command</i>                                                                                                                                                                                     | +CGEQMIN: 1, 4, 0, 0, 0, 0, 2, 0, "0E0", "0E0", 3, 0, 0, 0, 0<br>+CGEQMIN: 2, 4, 0, 0, 0, 0, 2, 0, "0E0", "0E0", 3, 0, 0, 0, 0<br><br>OK                                                                                                                                                                                                                                                                                                                                                                                                                                                                                                        |
| <b>AT+CGEQMIN=3, 3, 32, 0, 0, 0, 2, 0, "0E0", "0E0", 3, 0, 0, 0, 0</b><br><br><i>Note: Specifies a 3G QoS profile (minimum acceptable) for PDP context #3 which is not defined yet</i>                                                  | +CME ERROR: 3                                                                                                                                                                                                                                                                                                                                                                                                                                                                                                                                                                                                                                   |

## 14.22. 3G Quality of Service Profile (Negotiated) +CGEQNEG



### 14.22.1. Description

This command allows the TE to retrieve the negotiated QoS profiles returned in the Activate PDP Context Accept message.

The execution command returns the negotiated QoS profile for the specified context identifiers, <cid>s. The QoS profile consists of a number of parameters, each of which may have a separate value.

The test command returns a list of <cid>s associated with active contexts.

### 14.22.2. Syntax

#### Action command

```
AT+CGEQNEG=[<cid>[,<cid>[,...]]]
```

```
+CGEQNEG: <cid>,<Traffic class>,<Maximum bitrate UL>,<Maximum bitrate DL>,<Guaranteed bitrate UL>,<Guaranteed bitrate DL>,<Delivery order>,<Maximum SDU size>,<SDU error ratio>,<Residual bit error ratio> ,<Delivery of erroneous SDUs>,<Transfer delay>,<Traffic handling priority>
```

```
[<CR><LF>+CGEQNEG: <cid>,<Traffic class>,<Maximum bitrate UL>,<Maximum bitrate DL>,<Guaranteed bitrate UL>,<Guaranteed bitrate DL>,<Delivery order>,<Maximum SDU size>,<SDU error ratio>,<Residual bit error ratio>,<Delivery of erroneous SDUs>,<Transfer delay>,<Traffic handling priority>[...]]
```

```
OK
```

#### Read command

```
None
```

#### Test command

```
AT+CGEQNEG=?
```

```
+CGEQNEG: (list of <cid>s associated with active contexts)
```

```
OK
```

### 14.22.3. Parameters and Defined Values

|                                       |                                                                                                                                                                                   |
|---------------------------------------|-----------------------------------------------------------------------------------------------------------------------------------------------------------------------------------|
| <b>&lt;cid&gt;:</b>                   | a particular PDP context definition (see <a href="#">+CGDCONT</a> and +CGDSCONT commands)<br>integer type                                                                         |
| <b>&lt;Traffic class&gt;:</b>         | type of application for which the UMTS bearer service is optimised. Please refer to <a href="#">Table 1: UMTS QoS classes</a> for more information on QoS classes<br>integer type |
| 0                                     | conversational                                                                                                                                                                    |
| 1                                     | streaming                                                                                                                                                                         |
| 2                                     | interactive                                                                                                                                                                       |
| 3                                     | background                                                                                                                                                                        |
| <b>&lt;Maximum bitrate UL&gt;:</b>    | maximum number of kbits/s delivered to UMTS (up-link traffic) at a SAP<br>integer type<br>range: 0 to 8640 kbps                                                                   |
| <b>&lt;Maximum bitrate DL&gt;:</b>    | maximum number of kbits/s delivered by UMTS (down-link traffic) at a SAP<br>integer type<br>range: 0 to 16000 kbps                                                                |
| <b>&lt;Guaranteed bitrate UL&gt;:</b> | guaranteed number of kbits/s delivered to UMTS (up-link traffic) at a SAP (provided that there is data to deliver)<br>integer type<br>range: 0 to 8640 kbps                       |
| <b>&lt;Guaranteed bitrate DL&gt;:</b> | guaranteed number of kbits/s delivered by UMTS (down-link traffic) at a SAP (provided that there is data to deliver)<br>integer type<br>range: 0 to 16000 kbps                    |
| <b>&lt;Delivery order&gt;:</b>        | parameter indicates whether the UMTS bearer shall provide in-sequence SDU delivery or not<br>integer type                                                                         |
| 0                                     | no                                                                                                                                                                                |
| 1                                     | yes                                                                                                                                                                               |
| <b>&lt;Maximum SDU size&gt;:</b>      | maximum allowed SDU size in octets<br>integer type                                                                                                                                |

|                                          |                                                                                                                                                                                                                                                                                                                                                                                                                                                                                                                                                                                                                                                                                                                                                                               |       |                                               |       |                   |       |                   |       |                   |       |                   |       |                   |       |                   |       |                   |       |                   |       |                   |
|------------------------------------------|-------------------------------------------------------------------------------------------------------------------------------------------------------------------------------------------------------------------------------------------------------------------------------------------------------------------------------------------------------------------------------------------------------------------------------------------------------------------------------------------------------------------------------------------------------------------------------------------------------------------------------------------------------------------------------------------------------------------------------------------------------------------------------|-------|-----------------------------------------------|-------|-------------------|-------|-------------------|-------|-------------------|-------|-------------------|-------|-------------------|-------|-------------------|-------|-------------------|-------|-------------------|-------|-------------------|
| <b>&lt;SDU error ratio&gt;:</b>          | <p>target value for the fraction of SDUs lost or detected as erroneous. SDU error ratio is defined only for conforming traffic. The value is specified as "mEe".</p> <p>string type</p> <p>Example: a target SDU error ratio of <math>1 \cdot 10^{-3}</math> would be specified as '1E3' (e.g. AT+CGEQNEG=..., "1E3"...).</p>                                                                                                                                                                                                                                                                                                                                                                                                                                                 |       |                                               |       |                   |       |                   |       |                   |       |                   |       |                   |       |                   |       |                   |       |                   |       |                   |
|                                          | <table border="1" style="width: 100%; border-collapse: collapse;"> <tr> <td style="width: 15%;">"0E0"</td> <td>0, subscribed SDU error ratio (default value)</td> </tr> <tr> <td>"1E2"</td> <td><math>1 \cdot 10^{-2}</math></td> </tr> <tr> <td>"7E3"</td> <td><math>7 \cdot 10^{-3}</math></td> </tr> <tr> <td>"1E3"</td> <td><math>1 \cdot 10^{-3}</math></td> </tr> <tr> <td>"1E4"</td> <td><math>1 \cdot 10^{-4}</math></td> </tr> <tr> <td>"1E5"</td> <td><math>1 \cdot 10^{-5}</math></td> </tr> <tr> <td>"1E6"</td> <td><math>1 \cdot 10^{-6}</math></td> </tr> </table>                                                                                                                                                                                              | "0E0" | 0, subscribed SDU error ratio (default value) | "1E2" | $1 \cdot 10^{-2}$ | "7E3" | $7 \cdot 10^{-3}$ | "1E3" | $1 \cdot 10^{-3}$ | "1E4" | $1 \cdot 10^{-4}$ | "1E5" | $1 \cdot 10^{-5}$ | "1E6" | $1 \cdot 10^{-6}$ |       |                   |       |                   |       |                   |
| "0E0"                                    | 0, subscribed SDU error ratio (default value)                                                                                                                                                                                                                                                                                                                                                                                                                                                                                                                                                                                                                                                                                                                                 |       |                                               |       |                   |       |                   |       |                   |       |                   |       |                   |       |                   |       |                   |       |                   |       |                   |
| "1E2"                                    | $1 \cdot 10^{-2}$                                                                                                                                                                                                                                                                                                                                                                                                                                                                                                                                                                                                                                                                                                                                                             |       |                                               |       |                   |       |                   |       |                   |       |                   |       |                   |       |                   |       |                   |       |                   |       |                   |
| "7E3"                                    | $7 \cdot 10^{-3}$                                                                                                                                                                                                                                                                                                                                                                                                                                                                                                                                                                                                                                                                                                                                                             |       |                                               |       |                   |       |                   |       |                   |       |                   |       |                   |       |                   |       |                   |       |                   |       |                   |
| "1E3"                                    | $1 \cdot 10^{-3}$                                                                                                                                                                                                                                                                                                                                                                                                                                                                                                                                                                                                                                                                                                                                                             |       |                                               |       |                   |       |                   |       |                   |       |                   |       |                   |       |                   |       |                   |       |                   |       |                   |
| "1E4"                                    | $1 \cdot 10^{-4}$                                                                                                                                                                                                                                                                                                                                                                                                                                                                                                                                                                                                                                                                                                                                                             |       |                                               |       |                   |       |                   |       |                   |       |                   |       |                   |       |                   |       |                   |       |                   |       |                   |
| "1E5"                                    | $1 \cdot 10^{-5}$                                                                                                                                                                                                                                                                                                                                                                                                                                                                                                                                                                                                                                                                                                                                                             |       |                                               |       |                   |       |                   |       |                   |       |                   |       |                   |       |                   |       |                   |       |                   |       |                   |
| "1E6"                                    | $1 \cdot 10^{-6}$                                                                                                                                                                                                                                                                                                                                                                                                                                                                                                                                                                                                                                                                                                                                                             |       |                                               |       |                   |       |                   |       |                   |       |                   |       |                   |       |                   |       |                   |       |                   |       |                   |
| <b>&lt;Residual bit error ratio&gt;:</b> | <p>target value for the undetected bit error ratio in the delivered SDUs. If no error detection is requested, Residual bit error ratio indicates the bit error ratio in the delivered SDUs. The value is specified as 'mEe'.</p> <p>string type</p> <p>Example: a target residual bit error ratio of <math>5 \cdot 10^{-3}</math> would be specified as '5E3' (e.g. AT+CGEQNEG=..., "5E3"...).</p>                                                                                                                                                                                                                                                                                                                                                                            |       |                                               |       |                   |       |                   |       |                   |       |                   |       |                   |       |                   |       |                   |       |                   |       |                   |
|                                          | <table border="1" style="width: 100%; border-collapse: collapse;"> <tr> <td style="width: 15%;">"0E0"</td> <td>0, subscribed residual BER (default value)</td> </tr> <tr> <td>"5E2"</td> <td><math>5 \cdot 10^{-2}</math></td> </tr> <tr> <td>"1E2"</td> <td><math>1 \cdot 10^{-2}</math></td> </tr> <tr> <td>"5E3"</td> <td><math>5 \cdot 10^{-3}</math></td> </tr> <tr> <td>"4E3"</td> <td><math>4 \cdot 10^{-3}</math></td> </tr> <tr> <td>"1E3"</td> <td><math>1 \cdot 10^{-3}</math></td> </tr> <tr> <td>"1E4"</td> <td><math>1 \cdot 10^{-4}</math></td> </tr> <tr> <td>"1E5"</td> <td><math>1 \cdot 10^{-5}</math></td> </tr> <tr> <td>"1E6"</td> <td><math>1 \cdot 10^{-6}</math></td> </tr> <tr> <td>"6E8"</td> <td><math>6 \cdot 10^{-8}</math></td> </tr> </table> | "0E0" | 0, subscribed residual BER (default value)    | "5E2" | $5 \cdot 10^{-2}$ | "1E2" | $1 \cdot 10^{-2}$ | "5E3" | $5 \cdot 10^{-3}$ | "4E3" | $4 \cdot 10^{-3}$ | "1E3" | $1 \cdot 10^{-3}$ | "1E4" | $1 \cdot 10^{-4}$ | "1E5" | $1 \cdot 10^{-5}$ | "1E6" | $1 \cdot 10^{-6}$ | "6E8" | $6 \cdot 10^{-8}$ |
| "0E0"                                    | 0, subscribed residual BER (default value)                                                                                                                                                                                                                                                                                                                                                                                                                                                                                                                                                                                                                                                                                                                                    |       |                                               |       |                   |       |                   |       |                   |       |                   |       |                   |       |                   |       |                   |       |                   |       |                   |
| "5E2"                                    | $5 \cdot 10^{-2}$                                                                                                                                                                                                                                                                                                                                                                                                                                                                                                                                                                                                                                                                                                                                                             |       |                                               |       |                   |       |                   |       |                   |       |                   |       |                   |       |                   |       |                   |       |                   |       |                   |
| "1E2"                                    | $1 \cdot 10^{-2}$                                                                                                                                                                                                                                                                                                                                                                                                                                                                                                                                                                                                                                                                                                                                                             |       |                                               |       |                   |       |                   |       |                   |       |                   |       |                   |       |                   |       |                   |       |                   |       |                   |
| "5E3"                                    | $5 \cdot 10^{-3}$                                                                                                                                                                                                                                                                                                                                                                                                                                                                                                                                                                                                                                                                                                                                                             |       |                                               |       |                   |       |                   |       |                   |       |                   |       |                   |       |                   |       |                   |       |                   |       |                   |
| "4E3"                                    | $4 \cdot 10^{-3}$                                                                                                                                                                                                                                                                                                                                                                                                                                                                                                                                                                                                                                                                                                                                                             |       |                                               |       |                   |       |                   |       |                   |       |                   |       |                   |       |                   |       |                   |       |                   |       |                   |
| "1E3"                                    | $1 \cdot 10^{-3}$                                                                                                                                                                                                                                                                                                                                                                                                                                                                                                                                                                                                                                                                                                                                                             |       |                                               |       |                   |       |                   |       |                   |       |                   |       |                   |       |                   |       |                   |       |                   |       |                   |
| "1E4"                                    | $1 \cdot 10^{-4}$                                                                                                                                                                                                                                                                                                                                                                                                                                                                                                                                                                                                                                                                                                                                                             |       |                                               |       |                   |       |                   |       |                   |       |                   |       |                   |       |                   |       |                   |       |                   |       |                   |
| "1E5"                                    | $1 \cdot 10^{-5}$                                                                                                                                                                                                                                                                                                                                                                                                                                                                                                                                                                                                                                                                                                                                                             |       |                                               |       |                   |       |                   |       |                   |       |                   |       |                   |       |                   |       |                   |       |                   |       |                   |
| "1E6"                                    | $1 \cdot 10^{-6}$                                                                                                                                                                                                                                                                                                                                                                                                                                                                                                                                                                                                                                                                                                                                                             |       |                                               |       |                   |       |                   |       |                   |       |                   |       |                   |       |                   |       |                   |       |                   |       |                   |
| "6E8"                                    | $6 \cdot 10^{-8}$                                                                                                                                                                                                                                                                                                                                                                                                                                                                                                                                                                                                                                                                                                                                                             |       |                                               |       |                   |       |                   |       |                   |       |                   |       |                   |       |                   |       |                   |       |                   |       |                   |

|                                            |                                                                                                                                                          |
|--------------------------------------------|----------------------------------------------------------------------------------------------------------------------------------------------------------|
| <b>&lt;Delivery of erroneous SDUs&gt;:</b> | parameter indicates whether SDUs detected as erroneous shall be delivered or not<br>integer type                                                         |
| 0                                          | no                                                                                                                                                       |
| 1                                          | yes                                                                                                                                                      |
| 2                                          | no detect                                                                                                                                                |
| <b>&lt;Transfer delay&gt;:</b>             | targeted time between request to transfer an SDU at one SAP to its delivery at the other SAP, in milliseconds<br><br>integer type<br>range: 10 – 4000 ms |
| <b>&lt;traffic handling priority&gt;:</b>  | relative importance for handling of all SDUs belonging to the UMTS bearer compared to the SDUs of other bearers<br><br>integer type                      |
| 1                                          | priority level 1                                                                                                                                         |
| 2                                          | priority level 2                                                                                                                                         |
| 3                                          | priority level 3                                                                                                                                         |

### 14.22.4. Parameter Storage

None.



### 14.22.5. Examples

| Command                                                                                                                                                                                                                               | Responses                                                                                                                                                                                                                                                                                                                                                                                                                                                                                                                                                                                                                     |
|---------------------------------------------------------------------------------------------------------------------------------------------------------------------------------------------------------------------------------------|-------------------------------------------------------------------------------------------------------------------------------------------------------------------------------------------------------------------------------------------------------------------------------------------------------------------------------------------------------------------------------------------------------------------------------------------------------------------------------------------------------------------------------------------------------------------------------------------------------------------------------|
| <b>AT+CGEQNEG=?</b><br><br><i>Note: Test command</i>                                                                                                                                                                                  | +CGEQNEG: "IP", (0-4), (0-8640,65535), (0-16000,65535), (0-8640,65535), (0-16000,65535), (0-2), (0,10-1500,1502,1510,1520), ("0E0", "1E1", "1E2", "7E3", "1E3", "1E4", "1E5", "1E6"), ("0E0", "5E2", "1E2", "5E3", "4E3", "1E3", "1E4", "1E5", "1E6", "6E8"), (0-3), (0,10-4000), (0-3), (0-1), (0-1)<br><br>+CGEQMIN: "PPP", (0-4), (0-8640,65535), (0-16000,65535), (0-8640,65535), (0-16000,65535), (0-2), (0,10-1500,1502,1510,1520), ("0E0", "1E1", "1E2", "7E3", "1E3", "1E4", "1E5", "1E6"), ("0E0", "5E2", "1E2", "5E3", "4E3", "1E3", "1E4", "1E5", "1E6", "6E8"), (0-3), (0,10-4000), (0-3), (0-1), (0-1)<br><br>OK |
| <b>AT+CGDCONT=1,"IP","internet";</b><br><b>+CGDCONT=2,"IP","abc.com"</b>                                                                                                                                                              | OK                                                                                                                                                                                                                                                                                                                                                                                                                                                                                                                                                                                                                            |
| <b>AT+CGEQMIN?</b><br><br><i>Note: Read command</i>                                                                                                                                                                                   | +CGEQMIN:<br>1,4,0,0,0,0,2,0,"0E0","0E0",3,0,0,0,0<br><br>+CGEQMIN:<br>2,4,0,0,0,0,2,0,"0E0","0E0",3,0,0,0,0<br><br>OK                                                                                                                                                                                                                                                                                                                                                                                                                                                                                                        |
| <b>AT+CGEQMIN=1,3,32,0,0,0,2,0,"0E0",</b><br><b>"0E0",3,0,0,0,0</b><br><br><i>Note: Set the minimum 3G QoS for Cid=1, Traffic class = background, Maximum bitrate UL = 32kbit/s, and all other parameters set to subscribed value</i> | OK                                                                                                                                                                                                                                                                                                                                                                                                                                                                                                                                                                                                                            |
| <b>AT+CGEQMIN?</b><br><br><i>Note: Read command</i>                                                                                                                                                                                   | +CGEQMIN:<br>1,3,32,0,0,0,2,0,"0E0","0E0",3,0,0,0,0<br><br>+CGEQMIN:<br>2,4,0,0,0,0,2,0,"0E0","0E0",3,0,0,0,0<br><br>OK                                                                                                                                                                                                                                                                                                                                                                                                                                                                                                       |
| <b>AT+CGEQMIN=1</b><br><br><i>Note: Undefined 3G QoS profile (minimum acceptable) for PDP context #1</i>                                                                                                                              | OK                                                                                                                                                                                                                                                                                                                                                                                                                                                                                                                                                                                                                            |

| Command                                                                                                                                                                              | Responses                                                                                                           |
|--------------------------------------------------------------------------------------------------------------------------------------------------------------------------------------|---------------------------------------------------------------------------------------------------------------------|
| <p><b>AT+CGEQMIN?</b></p> <p><i>Note: Read command</i></p>                                                                                                                           | <pre>+CGEQMIN:   1,4,0,0,0,0,2,0,"0E0","0E0",3,0,0,0,0  +CGEQMIN:   2,4,0,0,0,0,2,0,"0E0","0E0",3,0,0,0,0  OK</pre> |
| <p><b>AT+CGEQMIN=3,3,32,0,0,0,2,0,"0E0",<br/>"0E0",3,0,0,0,0</b></p> <p><i>Note: Specifies a 3G QoS profile (minimum acceptable) for PDP context #3 which is not defined yet</i></p> | <pre>+CME ERROR: 3</pre>                                                                                            |

## 14.23. Authentication Protocol AT+WPPP



### 14.23.1. Description

This command will set the authentication protocol. Three options are possible:

- **No protocol:** No user name and password is used. The PPP connection is established without authentication.
- **PAP Protocol:** This is a simple authentication protocol used to authenticate a user before the network access. The user name and password are sent in plain text for the authentication.
- **CHAP protocol:** This protocol periodically verifies the identity of the client by using a three-way handshake. This happens when the link is established, and may happen again at any time. The verification is based on a shared secret (such as the client user's and password). The shared password is encrypted before it is sent.

PAP is the default authentication protocol.

### 14.23.2. Syntax

#### *Action command*

```
AT+WPPP=<auth>,[<cid>],[<username>],[<password>]
```

```
OK
```

#### *Read command*

```
AT+WPPP?
```

```
+WPPP: <auth>,[<cid>],[<username>],[<password>]
```

```
OK
```

#### *Test command*

```
AT+WPPP=?
```

```
+WPPP: <list of supported <auth>s>,[<list of supported <cid>s>]
```

```
OK
```

### 14.23.3. Parameters and Defined Values

|                          |                                                                                                                                                            |
|--------------------------|------------------------------------------------------------------------------------------------------------------------------------------------------------|
| <b>&lt;auth&gt;</b>      | types of authentication supported                                                                                                                          |
| 0                        | none                                                                                                                                                       |
| 1                        | PAP (default)                                                                                                                                              |
| 2                        | CHAP                                                                                                                                                       |
| <b>&lt;cid&gt;:</b>      | PDP context identifier used in CGDCONT. If omitted, this configuration will be for all PDP contexts.<br>range: 1-4<br>integer type                         |
| <b>&lt;username&gt;:</b> | username for CHAP or PAP<br>string type, maximum of 50 characters<br>If omitted, username will be retrieved either from PPP connection or the application. |
| <b>&lt;password&gt;:</b> | password for CHAP or PAP<br>string type, maximum of 50 characters<br>If omitted, password will be retrieved either from PPP connection or the application. |

### 14.23.4. Parameter Storage

None.

### 14.23.5. Examples

| Command                                      | Responses                                                                                        |
|----------------------------------------------|--------------------------------------------------------------------------------------------------|
| <b>AT+WPPP=?</b>                             | +WPPP: (0-2), (1-4)<br>OK                                                                        |
| <b>AT+WPPP=2</b>                             | OK                                                                                               |
| <b>AT+WPPP=2,1,"myusername","mypassword"</b> | OK<br><i>Note: Configure PDP context Cid=1 with CHAP protocol and set username and password.</i> |
| <b>AT+WPPP?</b>                              | +WPPP: 2,1,"myusername","mypassword"<br>OK                                                       |

## ➤➤ | 15. PLMN Commands

### 15.1. Selection of Preferred PLMN list +CPLS



#### 15.1.1. Description

This command is used to select one PLMN selector with access technology listed in the SIM card or active application in the UICC (GSM or USIM) that is used by +CPOL command.

#### 15.1.2. Syntax

##### *Action command*

```
AT+CPLS=<list>
```

OK

##### *Read command*

```
AT+CPLS?
```

```
+CPLS: <list>
```

OK

##### *Test command*

```
AT+CPLS=?
```

```
+CPLS: (list of supported <list>s)
```

OK

### 15.1.3. Parameters and Defined Values

|                      |                                                                                                                                                                                                                                                     |
|----------------------|-----------------------------------------------------------------------------------------------------------------------------------------------------------------------------------------------------------------------------------------------------|
| <b>&lt;list&gt;:</b> | preferred PLMN list                                                                                                                                                                                                                                 |
| 0                    | user controlled PLMN selector with access technology EF_PLMNwAct<br>If this file is not found in the SIM/UICC, then PLMN preferred list EF_PLMNsel will be selected. (this file is only available in SIM card or GSM application selected in UICC). |
| 1                    | operator controlled PLMN selector with access technology EF_OPLMNwAct                                                                                                                                                                               |
| 2                    | home PLMN selector with access technology EF_HPLMNwAct                                                                                                                                                                                              |

### 15.1.4. Parameter Storage

None.

### 15.1.5. Examples

| Command                                                                    | Responses                                                                                               |
|----------------------------------------------------------------------------|---------------------------------------------------------------------------------------------------------|
| <b>AT+CPLS?</b><br><br><i>Note: Ask for selection of the SIM/UICC file</i> | +CPLS: 1<br>OK<br><i>Note: EF_OPLMNwAct is selected</i>                                                 |
| <b>AT+CPLS=0</b><br><br><i>Note: Selection of EF_PLMNwAct</i>              | OK<br><i>Note: If EF_PLMNwAct is not present, EF_PLMNsel will be selected</i>                           |
| <b>AT+CPLS=1</b><br><br><i>Note: Selection of EF_OPLMNwAct</i>             | +CME ERROR: 3<br><i>Note: EF_OPLMNwAct is not present</i>                                               |
| <b>AT+CPLS=?</b><br><br><i>Note: Get possible values</i>                   | +CPLS: (0,1,2)<br>OK<br><i>Note: The 3 files with Access technology are present and can be selected</i> |
| <b>AT+CPLS=?</b><br><br><i>Note: Get possible values</i>                   | +CPLS: (0)<br>OK<br><i>Note: Only EF_PLMNwAct or EF_PLMNsel can be selected</i>                         |

### 15.1.6. Notes

| PLMN Sel | PLMNwAct | OPLMNwAct | HPLMNwAct | <list> default value |
|----------|----------|-----------|-----------|----------------------|
| X        |          |           |           | 0                    |
|          | X        |           |           | 0                    |
|          |          | X         |           | 1                    |
|          |          |           | X         | 2                    |
| X        |          | X         |           | 0                    |
| X        |          |           | X         | 0                    |
| X        | X        |           |           | 0                    |
| X        | X        | X         |           | 0                    |
| X        | X        |           | X         | 0                    |
|          | X        | X         |           | 0                    |
|          | X        |           | X         | 0                    |
|          |          | X         | X         | 1                    |

The <list> default value is linked to the SIM/UICC file allocation.

The priority is 0 > 1 > 2.

## 15.2. Operator Selection +COPS



### 15.2.1. Description

There are three possible ways of selecting an operator (PLMN):

- The product is in manual mode. It then tries to find the operator specified by the application and if found, tries to register.
- The product is in automatic mode. It then tries to find the home operator and if found, tries to register. If not found, the product automatically searches for another network.
- The product enters into manual/automatic mode. It tries to find an operator specified by the application (as in manual mode). If this attempt fails it enters automatic mode. If this is successful, the operator specified by the application is selected. The mobile equipment then enters into automatic mode.

*Note:* The read command returns the current mode and the current selected operator. In manual mode, this PLMN may not be the one set by the application (as it is in the search phase).

*Note:* The access technology selected parameter, <AcT>, should only be used in terminals capable of registering to more than one access technology

*Note:* The access technology selected parameter, <AcT>, is not applicable in automatic mode (<mode>=0)

*Note:* These commands are not allowed during communication.

### 15.2.2. Syntax

#### Action command

```
AT+COPS=<mode>[,<format>[,<oper>[,<AcT>]]]
```

OK

#### Read command

```
AT+COPS?
```

```
+COPS: <mode>[,<format>,<oper>[,<AcT>]]
```

OK



*Test command*

**AT+COPS=?**

+COPS: [list of supported (<stat>, long alphanumeric <oper>, short alphanumeric <oper>, numeric <oper>[, <AcT>])s]

OK

### 15.2.3. Parameters and Defined Values

|                        |                                                                                                                                                                                                                                                                                                                                     |
|------------------------|-------------------------------------------------------------------------------------------------------------------------------------------------------------------------------------------------------------------------------------------------------------------------------------------------------------------------------------|
| <b>&lt;mode&gt;:</b>   | network registration mode                                                                                                                                                                                                                                                                                                           |
| 0                      | automatic (default value)                                                                                                                                                                                                                                                                                                           |
| 1                      | manual (<oper> shall be present and <AcT> field is optional)                                                                                                                                                                                                                                                                        |
| 2                      | deregistration; ME will be unregistered until <mode>=0 or 1 is selected                                                                                                                                                                                                                                                             |
| 3                      | set only <format> (for read command AT+COPS?)                                                                                                                                                                                                                                                                                       |
| 4                      | manual/automatic (<oper> shall be present), if manual selection fails, automatic mode is entered.                                                                                                                                                                                                                                   |
| 127                    | Force to automatic mode at next power on (current mode stays unchanged until power down)                                                                                                                                                                                                                                            |
| <b>&lt;format&gt;:</b> | format of <oper> field                                                                                                                                                                                                                                                                                                              |
| 0                      | long alphanumeric format <oper>                                                                                                                                                                                                                                                                                                     |
| 1                      | short alphanumeric format <oper>                                                                                                                                                                                                                                                                                                    |
| 2                      | numeric <oper> (default value)                                                                                                                                                                                                                                                                                                      |
| <b>&lt;stat&gt;:</b>   | status of <oper> field                                                                                                                                                                                                                                                                                                              |
| 0                      | unknown                                                                                                                                                                                                                                                                                                                             |
| 1                      | available                                                                                                                                                                                                                                                                                                                           |
| 2                      | current                                                                                                                                                                                                                                                                                                                             |
| 3                      | forbidden                                                                                                                                                                                                                                                                                                                           |
| <b>&lt;oper&gt;:</b>   | operator identifier (MCC/MNC in numeric format only for operator selection)<br><br>The long alphanumeric format can be up to 16 characters long (for operator names description see "Operator names" section in the present document "Appendixes"; field is "Name"). The short alphanumeric format can be up to 10 characters long. |
| <b>&lt;AcT</b>         | access technology selected                                                                                                                                                                                                                                                                                                          |
| 0                      | GSM                                                                                                                                                                                                                                                                                                                                 |
| 2                      | UTRAN                                                                                                                                                                                                                                                                                                                               |

## 15.2.4. Parameter Storage

The <format> and <mode> parameters are stored in EEPROM using AT&W command. The default values can be restored using AT&F.

---

*Note:* The AT+COPS parameter storage information is not applicable for mode 2.

---

### 15.2.5. Examples

| Command                                                                                | Responses                                                                                                                                                                                                                                     |
|----------------------------------------------------------------------------------------|-----------------------------------------------------------------------------------------------------------------------------------------------------------------------------------------------------------------------------------------------|
| <b>AT+COPS?</b><br><br><i>Note: Ask for current PLMN</i>                               | +COPS: 0,2,45400,2<br><br>OK<br><br><i>Note: Home PLMN is HK CSL with access technology UTRAN</i>                                                                                                                                             |
| <b>AT+COPS=?</b><br><br><i>Note: Ask for PLMN list</i>                                 | +COPS: (3,"SmarToneVodafone","SMC-Voda","45406",2), (0,"SUNDAY","SUNDAY","45419",2), (2,"HK CSL","CSL","45400",2), (0,"3HK","3","45403",2)<br><br>OK<br><br><i>Note: Home PLMN is CSL, SMC-Voda, Sunday and 3 networks have been detected</i> |
| <b>AT+COPS=1,2,45400,2</b><br><br><i>Note: Ask for registration on HK CSL networks</i> | +CME ERROR: 32<br><br><i>Note: Network not allowed – emergency calls only</i>                                                                                                                                                                 |
| <b>AT+COPS=1,2,45406</b><br><br><i>Note: Ask for registration on SMC-Voda network</i>  | +CME ERROR: 529<br><br><i>Note: Selection failed – emergency calls only</i>                                                                                                                                                                   |
| <b>AT+COPS=0</b><br><br><i>Note: Ask for registration in automatic mode</i>            | OK<br><br><i>Note: Successful</i>                                                                                                                                                                                                             |
| <b>AT+COPS=3,0</b><br><br><i>Note: Set &lt;format&gt; to long alphanumeric</i>         | OK<br><br><i>Note: Successful</i>                                                                                                                                                                                                             |
| <b>AT+COPS?</b><br><br><i>Note: Ask for current PLMN</i>                               | +COPS: 0,0,"HK CSL",2<br><br>OK<br><br><i>Note: Home PLMN is HK CSL</i>                                                                                                                                                                       |
| <b>AT+COPS=2</b><br><br><i>Note: Ask for deregistration from network</i>               | OK<br><br><i>Note: Successful</i>                                                                                                                                                                                                             |
| <b>AT+COPS?</b><br><br><i>Note: Ask for current PLMN</i>                               | +COPS: 2<br><br>OK<br><br><i>Note: ME is unregistered until &lt;mode&gt;=0 or 1 is selected</i>                                                                                                                                               |

### 15.2.6. Notes

- If an incoming call occurs during a PLMN list request, the operation is aborted (+CME ERROR: 520) and the unsolicited RING appears.
- If SPN (Service Provider Name) is present in the SIM, it will be returned in both long and short alphanumeric <oper> fields. The string in the "short" field will be the SPN truncated to the appropriate number of characters (10).
- The fact that the network supports emergency call (+CME ERROR: 547) does not imply that emergency call without SIM is working. The only way to verify this state, is to do ATD112.
- If the PLMN is unknown (meaning not present in the ROM table (see +COPN command), not present in FLASH (see +WOLM command), and also not present in SIM (E-ONS, ONS...)), the returned long name is formatted like "MCC XXX MNC YY(Y)" and the returned short name is formatted like "XXX YY(Y)" where XXX is the MCC (3-digits) and YY(Y) is the MNC (2-digits or 3-digits).
-

## 15.3. Preferred Operator List +CPOL



### 15.3.1. Description

This command is used to edit (or update) the preferred list of networks located in SIM or active application in the UICC (GSM or USIM).. This list is read in the SIM or active application in the UICC (GSM or USIM) file selected by +CPLS command.

### 15.3.2. Syntax

#### Action command

```
AT+CPOL=[<index>] [,<format> [,<oper> [,<GSM_Act>,<GSMcomp_Act>,<Utran_Act>]]]
```

OK

#### Read command

```
AT+CPOL?
```

```
+CPOL: <index>,<format>,<oper> [,<GSM_Act>,<GSMcomp_Act>,<Utran_Act>]
```

```
[+CPOL: <index>,<format>,<oper> [,<GSM_Act>,<GSMcomp_Act>,<Utran_Act>] [...]]
```

OK

#### Test command

```
AT+CPOL=?
```

```
+CPOL: (list of supported <index>s), (list of supported <format>s)
```

OK

### 15.3.3. Parameters and Defined Values

|                        |                                                                   |
|------------------------|-------------------------------------------------------------------|
| <b>&lt;format&gt;:</b> | format for <oper> parameter                                       |
| 0                      | long alphanumeric format for <oper>                               |
| 1                      | short alphanumeric format for <oper>                              |
| 2                      | numeric format for <oper>                                         |
| <b>&lt;oper&gt;:</b>   | operator identifier<br>character string or integer (see <format>) |

|                             |                                |
|-----------------------------|--------------------------------|
| <b>&lt;GSM_Act&gt;:</b>     | GSM access technology          |
| <b>&lt;GSMcomp_Act&gt;:</b> | GSM compact access technology  |
| <b>&lt;Utran_Act&gt;:</b>   |                                |
| 0                           | access technology not selected |
| 1                           | access technology selected     |

### 15.3.4. Parameter Storage

None.

### 15.3.5. Examples

| Command                                                                                                      | Responses                                                                                                                                                                                                                                                                 |
|--------------------------------------------------------------------------------------------------------------|---------------------------------------------------------------------------------------------------------------------------------------------------------------------------------------------------------------------------------------------------------------------------|
| <b>AT+CPOL?</b><br><br><i>Note: Ask for preferred list of networks with only EF_PLMNsel present</i>          | +CPOL: 1,2,26201<br>+CPOL: 6,2,20810<br>OK<br><br><i>Note: Preferred list of networks in numeric format (read in EF_PLMNsel)</i>                                                                                                                                          |
| <b>AT+CPOL?</b><br><br><i>Note: Ask for preferred list of networks with EF_PLMNwAct selected and present</i> | +CPOL: 1,2,26201,1,0,0<br>+CPOL: 6,2,20810,1,0,0<br>OK<br><br><i>Note: Preferred list of networks in numeric format (read in EF_PLMNwAct)</i><br><br>GSM access technology selected<br>GSM compact access technology not selected<br>Utran access technology not selected |
| <b>AT+CPOL=,0</b><br><br><i>Note: Select long alphanumeric format</i>                                        | OK                                                                                                                                                                                                                                                                        |
| <b>AT+CPOL?</b><br><br><i>Note: Ask for preferred list of networks with only EF_PLMNsel present</i>          | +CPOL: 1,0,"D1-TELEKOM"<br>+CPOL: 6,0,"F SFR"<br>OK<br><br><i>Note: Preferred list of networks in long alphanumeric format present</i>                                                                                                                                    |
| <b>AT+CPOL=7,2,20801</b><br><br><i>Note: Add a network to the list</i>                                       | OK                                                                                                                                                                                                                                                                        |

| Command                                                                                               | Responses                                                                                                                                                                                                               |
|-------------------------------------------------------------------------------------------------------|-------------------------------------------------------------------------------------------------------------------------------------------------------------------------------------------------------------------------|
| <b>AT+CPOL?</b><br><br><i>Note: Ask for preferred list of networks with only EF_PLMNsel present</i>   | +CPOL: 1,0,"D1-TELEKOM"<br>+CPOL: 6,0,"F SFR"<br>+CPOL: 7,0,"Orange F"<br>OK<br><i>Note: Preferred list of networks in long alphanumeric format</i>                                                                     |
| <b>AT+CPOL=7</b><br><i>Note: Delete 7th location</i>                                                  | OK                                                                                                                                                                                                                      |
| <b>AT+CPOL?</b><br><br><i>Note: Ask for preferred list of networks with only EF_PLMNsel present</i>   | +CPOL: 1,0,"D1-TELEKOM"<br>+CPOL: 6,0,"F SFR"<br>OK<br><i>Note: Preferred list of networks in long alphanumeric format</i>                                                                                              |
| <b>AT+CPOL=8,2,77777</b><br><i>Note: Add a new network to the list with only EF_PLMNsel present</i>   | OK                                                                                                                                                                                                                      |
| <b>AT+CPOL=8,2,77777,0,0,1</b><br><i>Note: Add a new network to the list with EF_PLMNwact present</i> | OK<br><i>Note: Access technology UTRAN is selected</i>                                                                                                                                                                  |
| <b>AT+CPOL=8,2,77777</b><br><i>Note: Add a new network to the list with EF_PLMNwact present</i>       | OK<br><i>Note: Default access technology GSM is selected</i>                                                                                                                                                            |
| <b>AT+CPOL?</b><br><br><i>Note: Ask for preferred list of networks with only EF_PLMNsel present</i>   | +CPOL: 1,0,"D1-TELEKOM"<br>+CPOL: 6,0,"F SFR"<br>+CPOL: 8,2,77777<br>OK<br><i>Note: Preferred list of networks in long alphanumeric format but 8th entry is unknown so the product returns it in the numeric format</i> |
| <b>AT+CPOL=9,0,"Orange F"</b><br><i>Note: Add a new network to the list (text format)</i>             | OK                                                                                                                                                                                                                      |
| <b>AT+CPOL?</b><br><br><i>Note: Ask for preferred list of networks with only EF_PLMNsel present</i>   | +CPOL: 1,0,"D1-TELEKOM"<br>+CPOL: 6,0,"F SFR"<br>+CPOL: 8,2,77777<br>+CPOL: 9,0,"Orange F"<br>OK<br><i>Note: Preferred list of networks in long.</i>                                                                    |

| Command   | Responses                                                                                                           |
|-----------|---------------------------------------------------------------------------------------------------------------------|
| AT+CPOL=? | +CPOL: (1-16), (0-2)<br><br>OK<br><br><i>Note: The EF can accept 16 records, and supported format are 0,1 or 2.</i> |

### 15.3.6. Notes

The different possibilities are:

- AT+CPOL=<index>, to delete an entry.
- AT+CPOL=,<format>, to set the format used by the read command (AT+CPOL?).
- AT+CPOL=,<format>,<oper>, to put <oper> in the next free location.
- AT+CPOL=<index>,<format>,<oper>, to write <oper> in the <format> at the <index>.
- AT+CPOL=<index>,<format>,<oper>,<GSM\_Act>,<GSMcp\_Act>,<Utran\_Act>, to write <oper> in the <format> at the <index> giving the access technology (in the case of EF\_PLMNwact, EF\_HPLMNwact or EF\_OPLMNwact is present).

---

*Note: If access technology parameters are not given, the GSM access technology will be chosen.*

*Note: The supported formats are those of the +COPS command. The length of this list is limited to 700 entries for EF\_PLMNsel, EF\_PLMNwAct, EF\_OPLMNwAct and EF\_HPLMNwAct.*

---



## 15.4. Operator List Management +WOLM



### 15.4.1. Description

This Sierra Wireless proprietary command allows a new or modified operator to be added to the PLMN list. At most 10 PLMNs can be created and stored in the flash memory.

Note that if two entries with the same network (MCC+MNC), but having different names, are entered, the first one will be taken into account to have the name.

### 15.4.2. Syntax

#### Action command

```
AT+WOLM=<mode>,<loc>[,<NumOper>,<short name>,<long name>]
```

OK

#### Read command

```
AT+WOLM?
```

```
+WOLM: <loc>,<NumOper>,<short name>,<long name>
```

```
[+WOLM: <loc>,<NumOper>,<short name>,<long name>[...]]
```

OK

#### Test command

```
AT+WOLM=?
```

OK

### 15.4.3. Parameters and Defined Values

|                      |                                                                                      |
|----------------------|--------------------------------------------------------------------------------------|
| <b>&lt;mode&gt;:</b> | request operation                                                                    |
| 0                    | delete                                                                               |
| 1                    | write                                                                                |
| 2                    | read                                                                                 |
| <b>&lt;loc&gt;:</b>  | location                                                                             |
|                      | If this parameter is not filled with <mode>=1, the location will be the first empty. |

|                            |                                         |
|----------------------------|-----------------------------------------|
| <b>&lt;NumOper&gt;:</b>    | operator in numeric format: MCC and MNC |
| <b>&lt;short name&gt;:</b> | the short name of the PLMN              |
| <b>&lt;long name&gt;:</b>  | the long name of the PLMN               |

### 15.4.4. Parameter Storage

None.

### 15.4.5. Examples

| Command                                                                                           | Responses                                                                                    |
|---------------------------------------------------------------------------------------------------|----------------------------------------------------------------------------------------------|
| <b>AT+WOLM=1,1,20812,"WM","WM PLMN"</b><br><i>Note: Add a new PLMN at location 1</i>              | OK                                                                                           |
| <b>AT+WOLM=2,1</b><br><i>Note: Read the PLMN at location 1</i>                                    | +WOLM: 1,20812,"WM","WM PLMN"<br>OK                                                          |
| <b>AT+WOLM=2,11</b><br><i>Note: Read the PLMN at location 11</i>                                  | +CME ERROR: 21<br><i>Note: Invalid index</i>                                                 |
| <b>AT+WOLM=1,1,20812,"WM1","WM1 PLMN"</b><br><i>Note: Modify an existing PLMN</i>                 | OK<br><i>Note: Done</i>                                                                      |
| <b>AT+WOLM=?</b><br><i>Note: Test command</i>                                                     | OK                                                                                           |
| <b>AT+WOLM?</b><br><i>Note: Interrogate current list</i>                                          | +WOLM: 1,20812,"WM1","WM1 PLMN"<br>OK<br><i>Note: List of the created PLMNs in flash</i>     |
| <b>AT+WOLM=1,,20813,"PLMN2","PLMN2 LONG"</b><br><i>Note: Add a new PLMN at available location</i> | OK<br>or<br>+CME ERROR: 20<br><i>Note: &lt;Err&gt; returns if no more PLMNs can be added</i> |
| <b>AT+WOLM=0,1</b><br><i>Note: Delete an entry at location 1</i>                                  | OK                                                                                           |
| <b>AT+WOLM=0,11</b><br><i>Note: Delete an entry at location 11</i>                                | +CME ERROR: 21<br><i>Note: Invalid index</i>                                                 |

## 15.5. Read Operator Name +WOPN



### 15.5.1. Description

This Sierra Wireless proprietary command allows to:

- read the operator name in long alphanumeric format from the numeric format,
- read the operator name in short alphanumeric format from the numeric format,
- erase NITZ PLMN names stored in flash memory,
- configure the method used for getting PLMN names.

### 15.5.2. Syntax

- For <mode>=0 or 1:

*Action command*

```
AT+WOPN=<mode>,<NumOper>[,<lac>]
```

```
+WOPN=<mode>,<AlphaOper>
```

```
OK
```

- For <mode>=3:

*Action command*

```
AT+WOPN=<mode>,0
```

```
OK
```

- For <mode>=4:

*Action command*

```
AT+WOPN=<mode>[,<PlmnMethod>]
```

```
[+WOPN: <PlmnMethod>]
```

```
OK
```

*Read command*

```
None
```

*Test command*

```
AT+WOPN=?
```

```
OK
```

### 15.5.3. Parameters and Defined Values

|                           |                                                                                                                                                                                                   |
|---------------------------|---------------------------------------------------------------------------------------------------------------------------------------------------------------------------------------------------|
| <b>&lt;mode&gt;:</b>      | requested operation                                                                                                                                                                               |
| 0                         | print operator name using long alphanumeric format                                                                                                                                                |
| 1                         | print operator name using short alphanumeric format                                                                                                                                               |
| 2                         | reserved for later use                                                                                                                                                                            |
| 3                         | erase NITZ PLMN list if <NumOper>=0                                                                                                                                                               |
| 4                         | read or write the method used for getting PLMN names<br>read access if <PlmnMethod> omitted.<br>write access if <PlmnMethod> provided.                                                            |
| <b>&lt;NumOper&gt;:</b>   | operator identifier in numeric format (MCC/MNC)<br>integer type                                                                                                                                   |
| <b>&lt;AlphaOper&gt;:</b> | operator identifier in long or short alphanumeric format (refer to section "Operator names" of the Appendixes of the present document for operator names description)<br>string type              |
| <b>&lt;lac&gt;:</b>       | location Area Code<br>string type; two byte location area code in hexadecimal format (e.g. "00C3" equals 195 in decimal)<br>if it is not entered, current LAC will be used (0 if limited service) |
| <b>&lt;PlmnOns&gt;:</b>   | method for getting PLMN name<br>bit field (default value: 31)<br>bit set to 0: method deactivated<br>bit set to 1: method activated                                                               |
| Bit 0                     | E-ONS                                                                                                                                                                                             |
| Bit 1                     | CPHS                                                                                                                                                                                              |
| Bit 2                     | SPN                                                                                                                                                                                               |
| Bit 3                     | NITZ                                                                                                                                                                                              |
| Bit 4                     | Flash                                                                                                                                                                                             |

### 15.5.4. Parameter Storage

The <PlmnMethod> parameter is stored in EEPROM without using AT&W command.

### 15.5.5. Examples

| Command                                                                                          | Responses                                                              |
|--------------------------------------------------------------------------------------------------|------------------------------------------------------------------------|
| <b>AT+WOPN=0,20801</b><br><br><i>Note: Give an operator in numeric format</i>                    | +WOPN: 0, "Orange F"<br><br>OK<br><br><i>Note: Alphanumeric answer</i> |
| <b>AT+WOPN=3,0</b><br><br><i>Note: Erase NITZ PLMN names stored in flash memory</i>              | OK                                                                     |
| <b>AT+WOPN=4</b><br><br><i>Note: Read from EEPROM which method will be used for PLMN names.</i>  | +WOPN: 31<br><br>OK                                                    |
| <b>AT+WOPN=4,0</b><br><br><i>Note: Write to EEPROM which method will be used for PLMN names.</i> | OK                                                                     |

### 15.5.6. Notes

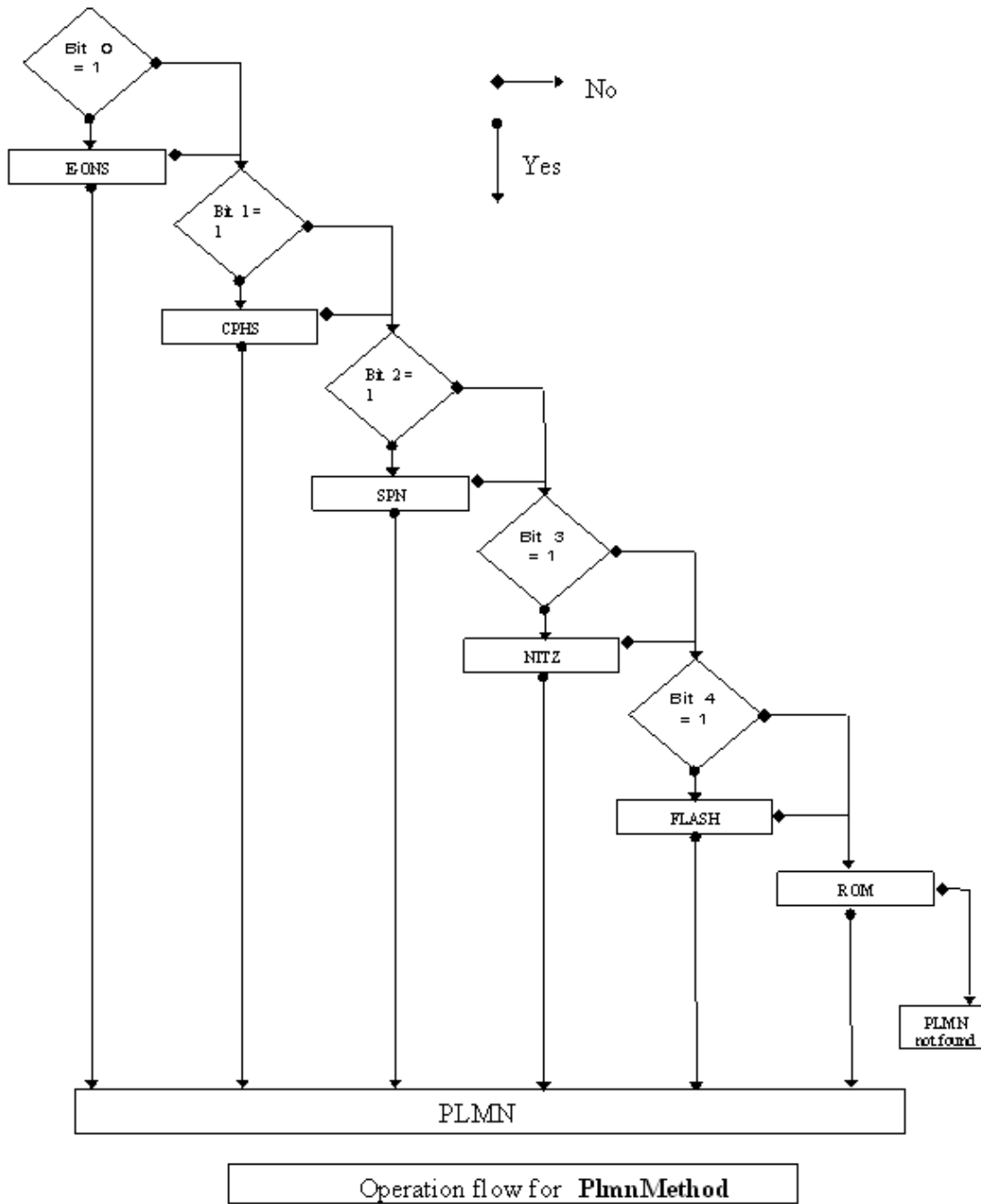
With E-ONS (Enhanced Operator Name Service) feature, <lac> is an optional parameter to read names from OPL/PNN SIM files.

When the embedded module receives a NITZ (Network Information and Time Zone) message with Long Name and/or Short Name information, an entry with registered PLMN and names in message is created in the flash memory. These names will then be used with +COPS, +COPN, +WOPN, +CPOL commands with the priority order defined in 3GPP TS 22.101. The embedded module supports only network names with the default GSM alphabet coding scheme.

The priority order is:

|           |                                                                                                                                                                      |
|-----------|----------------------------------------------------------------------------------------------------------------------------------------------------------------------|
| 1 - E-ONS | First entry if on Home PLMN, or existing matching entry in OPL/PNN SIM files                                                                                         |
| 2 - CPHS  | if on Home PLMN, use SIM file CPHS ONS (0x6F14) for Long Name if present and SIM file CPHS SONS (0x6F18) for short name if present (if not, reuse SIM file CPHS ONS) |
| 3 - SPN   | If on Home PLMN, use SIM file SPN (0x6F46) if present                                                                                                                |
| 4 - NITZ  | If there is a matching entry in the list of names received so far, use it.                                                                                           |
| 5 - FLASH | If there is a matching entry in flash PLMN list (created by +WOLM), use it.                                                                                          |
| 6 - ROM   | PLMN names in ROM defined according to MoU SE.13 and NAPRD Operator Names documents                                                                                  |

For details, please refer to the following diagram:



Once a long name is found following this priority order, it is given as response to AT command. Refer to 3GPP TS 24.008 [8], 3GPP TS 23.040 [11], 3GPP TS 22.042 [12] and COMMON PCN HANDSET SPECIFICATION CPHS Phase 2 v4.2 for more information.

## 15.6. Read Operator Name +COPN



### 15.6.1. Description

This command returns the list of all operator names (in numeric and alphanumeric format) stored in the embedded module.

### 15.6.2. Syntax

#### *Action command*

##### **AT+COPN**

+COPN: <NumOper>,<AlphaOper>

[+COPN: <NumOper>,<AlphaOper> [...]]

OK

#### *Read command*

None

#### *Test command*

##### **AT+COPN=?**

OK

### 15.6.3. Parameters and Defined Values

|                           |                                                                                                                      |
|---------------------------|----------------------------------------------------------------------------------------------------------------------|
| <b>&lt;NumOper&gt;:</b>   | operator in numeric format                                                                                           |
| <b>&lt;AlphaOper&gt;:</b> | operator in long alphanumeric format (see section "Operator names" of the Appendixes for operator names description) |

### 15.6.4. Parameter Storage

None.

### 15.6.5. Examples

| Command                                                         | Responses                                                                                                                |
|-----------------------------------------------------------------|--------------------------------------------------------------------------------------------------------------------------|
| <b>AT+COPN</b><br><br><i>Note: Ask for list of all networks</i> | +COPN: 20201"GR COSMOTE"<br>+COPN: 20205"vodafone GR"<br>+COPN: 20209"GR Q-TELECOM"<br>+COPN: 20210"TIM GR"<br>...<br>OK |
| <b>AT+COPN=?</b>                                                | OK                                                                                                                       |



## 15.7. Automatic Time Zone Update +CTZU



### 15.7.1. Description

This command is used to enable or disable automatic time zone update via NITZ.

### 15.7.2. Syntax

*Action command*

```
AT+CTZU=<Mode>
```

OK

*Read command*

```
AT+CTZU?
```

```
+CTZU: <Mode>
```

OK

*Test command*

```
AT+CTZU=?
```

```
+CTZU: (list of supported <Mode>s)
```

OK

### 15.7.3. Parameters and Defined Values

|                      |                                                             |
|----------------------|-------------------------------------------------------------|
| <b>&lt;Mode&gt;:</b> | requested operation                                         |
| 0                    | disable automatic time zone update via NITZ (default value) |
| 1                    | enable automatic time zone update via NITZ                  |

### 15.7.4. Parameter Storage

The <Mode> parameter is stored in EEPROM without using AT&W command. The default value can be restored using AT&F.

### 15.7.5. Examples

| Command   | Responses                                                |
|-----------|----------------------------------------------------------|
| AT+CTZU=? | +CTZU: (0-1)<br>OK                                       |
| AT+CTZU?  | +CTZU: 0<br>OK                                           |
| AT+CTZU=1 | OK<br><i>Note: enable the automatic time zone update</i> |

## 15.8. AT&T Command +PACSP



### 15.8.1. Description

This AT&T proprietary command indicates to the user the Network Selection Menu availability (ENS support) (also called PLMN Mode bit in the AT&T specification).

This command is available when the ENS feature is activated (please refer to the +WBHV command description) and when the AT&T EF<sub>TST</sub> (Terminal Support Table) SIM file is present in the SIM card.

### 15.8.2. Syntax

#### *Action command*

None

#### *Read command*

**AT+PACSP?**

[**+PACSP<n>**]

**OK (or +CME ERROR: 515/+CME ERROR: 3/ERROR; see error explanations in the appendix)**

#### *Test command*

None

#### *Unsolicited response*

**+PACSP<n>**

### 15.8.3. Defined Values

|                   |                                                                                                                                                                                                                                                                                                   |
|-------------------|---------------------------------------------------------------------------------------------------------------------------------------------------------------------------------------------------------------------------------------------------------------------------------------------------|
| <b>&lt;n&gt;:</b> | PLMN Mode bit value                                                                                                                                                                                                                                                                               |
| 0                 | <p>PLMN bit 0</p> <p>Reset the network selection mode to automatic and send the command +PACSP0 to the client.</p> <p>In this case, the client is the AT&amp;T Connection Manager application.</p> <p>The disabling of the network selection menu, if applicable, is performed by the client.</p> |
| 1                 | <p>PLMN bit 1</p> <p>Set the mode to automatic and send the command +PACSP1 to the client.</p> <p>In this case, the client is the AT&amp;T Connection Manager application.</p> <p>The enabling of the network selection menu, if applicable, is performed by the client.</p>                      |

This is only informational for the client, in order to display or not the network selection menu.

### 15.8.4. Parameter Storage

None

### 15.8.5. Examples

| Command                                                                     | Responses                                                                                                                      |
|-----------------------------------------------------------------------------|--------------------------------------------------------------------------------------------------------------------------------|
|                                                                             | <p><b>+PACSP1</b></p> <p><i>Note: At the embedded module initialization (pin code was entered) the PLMN Mode bit is 1.</i></p> |
| <p><b>AT+PACSP?</b></p> <p><i>Note: Ask for the PLMN Mode bit value</i></p> | <p><b>+PACSP1</b></p> <p><b>OK</b></p>                                                                                         |

# >> | Index

A, 70  
ARMEE, 52  
C, 105  
CBST, 93  
CCED, 13  
CEER, 77  
CGACT, 130  
CGANS, 138  
CGATT, 128  
CGAUTO, 141  
CGCLASS, 113  
CGCMOD, 154  
CGDATA, 134  
CGDCONT, 125  
CGEQMIN, 178  
CGEQNEG, 186  
CGEQREQ, 170  
CGEREP, 159  
CGPADDR, 164  
CGQMIN, 144  
CGQREQ, 149  
CGREG, 156  
CGSMS, 162  
CICB, 84  
COPN, 212  
COPS, 197  
CPLS, 194  
CPOL, 202  
CR, 88  
CRC, 90  
CREG, 9  
CRLP, 99  
CSNS, 86  
CSQ, 7  
CTZU, 214  
D, 58  
DL, 68  
Dn, 79  
DOPT, 101  
DR, 109  
DS, 107  
FCLASS, 103  
GH, 136  
H, 72  
ILRR, 96  
N, 111  
PACSP, 216  
S0, 82, 137  
WAC, 42  
WATH, 74  
WGPRS, 115  
WLOC, 36  
WMBS, 28  
WOLM, 206  
WOPN, 208  
WPOW, 49  
WPPP, 192  
WREGC, 31  
WSCAN, 40  
WTBI, 166  
WUBS, 44  
WWSM, 47



# AT Commands Interface Guide for Firmware 7.52

**Volume 3**



**SIERRA**  
WIRELESS

4111843  
6.0  
October 25, 2013

## Related Documents

This interface specification is based on the following recommendations:

- [1] ETSI GSM 07.05: *Digital cellular telecommunications system (Phase 2); Use of DTE-DCE interface for Short Message Service (SMS) and Cell Broadcast Service (CBS)*
- [2] ETSI GSM 07.07: *Digital cellular telecommunications system (Phase 2); AT command set for GSM Mobile Equipment (ME)*
- [3] ITU-T Recommendation V.25 ter: *Serial asynchronous automatic dialing and control*
- [4] ETSI GSM 03.40: *Digital cellular telecommunications system (Phase 2); Technical implementation of the Short Message Service (SMS) Point-to-Point (PP)*
- [5] ETSI GSM 03.38: *Digital cellular telecommunications system (Phase 2); Alphabets and language-specific information*
- [6] ETSI GSM 04.80: *Digital cellular telecommunications system (Phase 2); Mobile radio interface layer 3, Supplementary service specification, Formats and coding*
- [7] 3GPP 05.02: *3<sup>rd</sup> Generation Partnership Project; Technical Specification Group GSM/EDGE- Radio Access Network; Multiplexing and multiple access on the radio path – 3GPP TS 05.02 V6.9.2 (2001-04)*
- [8] 3GPP 24.008: *Mobile radio interface Layer 3 specification; Core network protocols; Stage 3*
- [9] 3GPP TS 11.11 *Specification of the Subscriber Identity Module - Mobile Equipment (SIM-ME) Interface*
- [10] 3GPP TS 05.08 *Radio subsystem link control*
- [11] 3GPP TS 23.040 *Technical realization of the Short Message Service (SMS);*
- [12] 3GPP TS 22.042 *Network Identity and Time Zone (NITZ) service description; Stage 1*
- [13] 3GPP TS 51.011 *Specification of the Subscriber Identity Module - Mobile Equipment (SIM-ME) interface*
- [14] 3GPP TS 27-010 *Terminal Equipment to User Equipment (TE-UE) multiplexer protocol*
- [15] 3GPP 23.014 *Support of Dual Tone Multi Frequency (DTMF) signaling*
- [16] ISO 639 *Langages Codes*
- [17] 3GPP 27 060 *Packet domain; Mobile Station (MS) supporting Packet Switched services*
- [18] 3GPP TS 23.038 *Alphabets and language-specific information*
- [19] 3GPP TS 27.005 *Use of Data Terminal Equipment - Data Circuit terminating Equipment (DTE-DCE) interface for Short Message Service (SMS) and Cell Broadcast Service (CBS)*
- [20] ETSI GSM 11.14 *Digital cellular telecommunications system (Phase 2+); Specification of the SIM Application Toolkit for the Subscriber Identity Module - Mobile Equipment (SIM - ME) interface*
- [21] 3GPP TS 23.003 *Digital cellular telecommunications system (Phase 2+) (GSM); Universal Mobile Telecommunications System (UMTS); Numbering, addressing and identification*
- [22] ETSI GSM 02.24 *Digital cellular telecommunications system (Phase 2+) (GSM); Description of Charge Advice Information (CAI)*
- [23] ETSI GSM 02.86 *Digital cellular telecommunications system (Phase 2+) (GSM); Advice of Charge (AoC) Supplementary Services - Stage 1*
- [24] ETSI GSM 02.90 *Digital cellular telecommunications system (Phase 2+) (GSM); Unstructured Supplementary Service Data (USSD) - Stage 1*
- [25] ETSI GSM 02.85 *Digital cellular telecommunications system (Phase 2+) (GSM); Closed User Group (CUG) Supplementary Services - Stage 1*

- [26] 3GPP 27.007: *Digital cellular telecommunications system (Phase 2+) (GSM); Universal Mobile Telecommunications System (UMTS); AT command set for 3GPP User Equipment (UE) (Release 1999)*
- [27] 3GPP 23.107: *Universal Mobile Telecommunications System (UMTS); QoS Concept and Architecture (Release 1999)*
- [28] 3GPP 24.008: *European digital cellular telecommunication system (Phase 2+). Mobile radio interface layer 3 specification. (Release 1999)*
- [29] ETSI TS 102 221 "Smart Cards; UICC-Terminal interface; Physical and logical characteristics (Release 1999)".



# »» Contents

## Volume 3

|                                                         |           |
|---------------------------------------------------------|-----------|
| <b>RELATED DOCUMENTS .....</b>                          | <b>2</b>  |
| <b>CONTENTS .....</b>                                   | <b>4</b>  |
| <b>VOLUME 3.....</b>                                    | <b>4</b>  |
| <b>16. PHONEBOOKS COMMANDS.....</b>                     | <b>6</b>  |
| 16.1.    Select Phonebook Memory Storage +CPBS.....     | 6         |
| 16.2.    Contact Selector +WCOS.....                    | 9         |
| 16.3.    Write Phonebook Entry +CPBW .....              | 11        |
| 16.4.    Read Phonebook Entries +CPBR .....             | 17        |
| 16.5.    Find Phonebook Entries +CPBF .....             | 22        |
| 16.6.    Phonebook Phone Search +CPBP .....             | 26        |
| 16.7.    Move Action in Phonebook +CPBN .....           | 30        |
| 16.8.    Create and Delete a Phonebook Group +WPGW..... | 35        |
| 16.9.    Read a Phonebook Group +WPGR .....             | 37        |
| 16.10.   Settings of a Group +WPGS .....                | 41        |
| 16.11.   Delete Calls Phonebook +WDCP.....              | 43        |
| 16.12.   Subscriber Number +CNUM .....                  | 45        |
| 16.13.   Set Voice Mail Number +CSVM .....              | 47        |
| 16.14.   Avoid Phonebook Init +WAIP.....                | 49        |
| 16.15.   Specify Emergency Call Codes +WECC.....        | 51        |
| <b>17. SHORT MESSAGE COMMANDS .....</b>                 | <b>54</b> |
| 17.1.    Select Message Service +CSMS .....             | 54        |
| 17.2.    New Message Indication +CNMI.....              | 56        |
| 17.3.    Set Text Mode Parameters +CSMP.....            | 63        |
| 17.4.    Preferred Message Format +CMGF.....            | 66        |
| 17.5.    Preferred Message Storage +CPMS.....           | 68        |
| 17.6.    Service Center Address +CSCA .....             | 72        |
| 17.7.    Show Text Mode Parameters +CSDH .....          | 74        |
| 17.8.    More Messages to Send +CMMS .....              | 76        |
| 17.9.    Send Message +CMGS.....                        | 78        |
| 17.10.   Write Message to Memory +CMGW .....            | 81        |
| 17.11.   Send Message From Storage +CMSS.....           | 84        |
| 17.12.   Read Message +CMGR .....                       | 86        |
| 17.13.   List Message +CMGL.....                        | 91        |
| 17.14.   Delete Message +CMGD .....                     | 95        |
| 17.15.   New Message Acknowledgement +CNMA .....        | 98        |
| 17.16.   Message Status Modification +WMSC.....         | 101       |

|                    |                                                       |            |
|--------------------|-------------------------------------------------------|------------|
| 17.17.             | Un-change SMS Status +WUSS .....                      | 103        |
| 17.18.             | Message Overwriting +WMGO .....                       | 105        |
| 17.19.             | Copy Messages +WMCP .....                             | 107        |
| 17.20.             | Save Settings +CSAS .....                             | 110        |
| 17.21.             | Restore Settings +CRES.....                           | 111        |
| 17.22.             | Select Cell Broadcast Message Types +CSCB .....       | 112        |
| 17.23.             | Cell Broadcast Message Identifiers +WCBM .....        | 115        |
| <b>18.</b>         | <b>SIM COMMANDS .....</b>                             | <b>117</b> |
| 18.1.              | Card Identification +CCID.....                        | 117        |
| 18.2.              | Active Application Indication +WSAPPI .....           | 119        |
| 18.3.              | Request IMSI +CIMI .....                              | 121        |
| 18.4.              | Generic SIM Access +CSIM.....                         | 123        |
| 18.5.              | Restricted SIM Access +CRSM .....                     | 126        |
| 18.6.              | Write Language Preference +WLPW .....                 | 129        |
| 18.7.              | Read Language Preference +WLPR.....                   | 131        |
| <b>19.</b>         | <b>SIM TOOLKIT COMMANDS .....</b>                     | <b>134</b> |
| 19.1.              | Overview of SIM Application ToolKit .....             | 134        |
| 19.2.              | SIM ToolKit Set Facilities +STSF .....                | 137        |
| 19.3.              | SIM ToolKit Indication +STIN .....                    | 140        |
| 19.4.              | SIM ToolKit Get Information +STGI .....               | 143        |
| 19.5.              | SIM ToolKit Give Response +STGR.....                  | 151        |
| 19.6.              | SIM ToolKit Control Response +STCR.....               | 156        |
| 19.7.              | SIM ToolKit Indication +STRIL .....                   | 158        |
| <b>20.</b>         | <b>SUPPLEMENTARY SERVICES COMMANDS .....</b>          | <b>160</b> |
| 20.1.              | List Current Calls +CLCC.....                         | 160        |
| 20.2.              | Call Related Supplementary Services +CHLD.....        | 163        |
| 20.3.              | Calling Line Identification Presentation +CLIP .....  | 166        |
| 20.4.              | Calling Line Identification Restriction +CLIR.....    | 169        |
| 20.5.              | Connected Line Identification Presentation +COLP..... | 171        |
| 20.6.              | Supplementary Service Notifications +CSSN .....       | 174        |
| 20.7.              | Unstructured Supplementary Service Data +CUSD .....   | 178        |
| 20.8.              | Call Forwarding +CCFC .....                           | 181        |
| 20.9.              | Call Waiting +CCWA .....                              | 185        |
| 20.10.             | Keypad Control +CKPD.....                             | 188        |
| 20.11.             | Advice Of Charge +CAOC .....                          | 190        |
| 20.12.             | Accumulated Call Meter +CACM .....                    | 192        |
| 20.13.             | Accumulated Call Meter Maximum +CAMM .....            | 194        |
| 20.14.             | Price per UNIT and Currency Table +CPUC.....          | 196        |
| 20.15.             | Closed User Group +CCUG.....                          | 198        |
| <b>INDEX .....</b> | <b>200</b>                                            |            |

## »» 16. Phonebooks Commands

### 16.1. Select Phonebook Memory Storage +CPBS



#### 16.1.1. Description

This command selects phonebook memory storage.

Please refer to Recommendation 3GPP 11.11 [\[9\]](#) for more details.

#### 16.1.2. Syntax

##### *Action command*

```
AT+CPBS=<storage>[,<pin2>]
```

```
OK
```

##### *Read command*

```
AT+CPBS?
```

```
+CPBS: <storage>,<used>,<total>
```

```
OK
```

##### *Test command*

```
AT+CPBS=?
```

```
+CPBS: (list of supported <storage>s)
```

```
OK
```

### 16.1.3. Parameters and Defined Values

|                         |                                                              |
|-------------------------|--------------------------------------------------------------|
| <b>&lt;storage&gt;:</b> | phonebook memory storage                                     |
| "SM"                    | ADN Abbreviated Dialing Numbers (SIM phonebook)              |
| "FD"                    | FDN Fixed Dialing Numbers (SIM restricted phonebook)         |
| "ON"                    | MSISDN (SIM own numbers)                                     |
| "EN"                    | ECC Emergency Call Codes (SIM or ME)                         |
| "LD"                    | LND Last Number Dialed                                       |
| "MC"                    | ME missed (unanswered received) calls list                   |
| "ME"                    | ME phonebook                                                 |
| "MT"                    | combined ME and SIM phonebook (ME+SM)                        |
| "RC"                    | ME received calls list                                       |
| "SN"                    | SDN Service Dialing Numbers (SIM special service numbers)    |
| <b>&lt;pin2&gt;:</b>    | Personal Identification Number 2.                            |
| <b>&lt;used&gt;:</b>    | used locations in selected memory<br>integer type            |
| <b>&lt;total&gt; :</b>  | total number of locations in selected memory<br>integer type |

### 16.1.4. Parameter Storage

None.

## 16.1.5. Examples

| Command                                                                  | Responses                                                                                                            |
|--------------------------------------------------------------------------|----------------------------------------------------------------------------------------------------------------------|
| <b>AT+CPBS="SM"</b><br><br><i>Note: Select ADN phonebook</i>             | OK<br><br><i>Note: ADN phonebook is selected</i>                                                                     |
| <b>AT+CPBS=?</b><br><br><i>Note: Possible values</i>                     | +CPBS :<br>("SM", "LD", "MC", "ON", "ME", "RC", "MT", "SN", "EN")<br><br>OK                                          |
| <b>AT+CPBS?</b><br><br><i>Note: Get current phonebook memory storage</i> | +CPBS : "SM", 10, 20<br><br>OK<br><br><i>Note: ADN phonebook selected, 10 locations used, 20 locations available</i> |

## 16.1.6. Notes

When a SIM is inserted, on ADN and FDN activation: when FDN has been activated with the +CLCK command, the selection of ADN phonebook is possible only if ADN status bit3 is set to 1 (EF file "readable and updatable when invalidated").

When a USIM is inserted: there is no such a restriction..

Selection of ADN phonebook when FDN is active is SIM dependent.

Selection of "FD" phonebook with <pin2>, when <pin2> is already verified, will give "+CME ERROR: 3".

The previously selected phonebook remains the same when the embedded module is switched on or reset, even if a new SIM card is inserted. However, in the case when the replacement SIM card does not contain any selected phonebook, the ADN phonebook is selected.

The maximum number of entries for ME phonebook is set to 500.

When the SIM is not present, the following emergency numbers are available: 000, 08, 112, 110, 118, 119, 911, 999.

When a SIM is present, the following emergency numbers are available: 112, 911, emergency numbers from ECC SIM files (if existing).

The following emergency numbers are stored in EEPROM:

- 112
- 911
- 999
- 08

So, "EN" will be available even if ECC SIM file is not present.

## 16.2. Contact Selector +WCOS



### 16.2.1. Description

This Sierra Wireless proprietary command allows extended contact display to be enabled\disabled.

### 16.2.2. Syntax

*Action command*

```
AT+WCOS=<mode>
```

OK

*Read command*

```
AT+WCOS?
```

```
+WCOS: <mode>
```

OK

*Test command*

```
AT+WCOS=?
```

```
+WCOS: (list of supported <mode>s)
```

OK

### 16.2.3. Parameters and Defined Values

|                      |                                                             |
|----------------------|-------------------------------------------------------------|
| <b>&lt;mode&gt;:</b> | extended contact mode                                       |
| 0                    | select the SIM contacts (default mode)                      |
| 1                    | select the extended contacts for phonebook entries          |
| 2                    | reserved<br>Customer application should not use this value. |

### 16.2.4. Parameter Storage

The <mode> parameter is stored in EEPROM.

## 16.2.5. Examples

| Command                                                        | Responses                                                        |
|----------------------------------------------------------------|------------------------------------------------------------------|
| <b>AT+WCOS=?</b><br><br><i>Note: Possible values?</i>          | +WCOS: (0-2)<br><br>OK<br><br><i>Note: Possible responses</i>    |
| <b>AT+WCOS=1</b><br><br><i>Note: Extended contact selected</i> | OK                                                               |
| <b>AT+WCOS?</b><br><br><i>Note: Test command</i>               | +WCOS: 1<br><br>OK<br><br><i>Note: Extended contact selected</i> |

## 16.3. Write Phonebook Entry +CPBW



### 16.3.1. Description

This command writes a phonebook entry in an index location number of the current phonebook memory storage.

### 16.3.2. Syntax

Depending on the context several possibilities:

- The entry is stored in the ADN phonebook and AT+WCOS=0:

*Action command*

```
AT+CPBW=[<index>] [, <number> [, <type> [, <text>]]]
```

OK

- The entry is stored in the ADN phonebook and AT+WCOS=1:

*Action command*

```
AT+CPBW=<index> [, <number> [, <type> [, <text> [, <phb_group>]]]]]
```

OK

- The entry is stored in the ME phonebook and AT+WCOS=0:

*Action command*

```
AT+CPBW=<index> [, <number> [, <type> [, <text>]]]
```

OK

- The entry is stored in the ME phonebook and AT+WCOS=1:

*Action command*

```
AT+CPBW=<index> [, <number> [, <type> [, <text> [, <contact> [, <phb_group>]]]]]
```

OK



*Read command*

None

*Test command*

**AT+CPBW=?**

+CPBW: (list of supported <index>s), [<nlength>], (list of supported <type>s), [<tlength>]

OK

### 16.3.3. Parameters and Defined Values

|                           |                                                                                                                                                    |
|---------------------------|----------------------------------------------------------------------------------------------------------------------------------------------------|
| <b>&lt;index&gt;:</b>     | location in memory storage<br>range of possible values depending on the capacity of the phonebook memory<br>integer type                           |
| <b>&lt;number&gt;:</b>    | phone number in ASCII format<br>string type                                                                                                        |
| <b>&lt;type&gt;:</b>      | TON/NPI (type of address octet in integer format); default 145 when dialing string includes international access code character "+", otherwise 129 |
| 129                       | ISDN / telephony numbering plan, national / international unknown                                                                                  |
| 145                       | ISDN / telephony numbering plan, international number                                                                                              |
| 161                       | ISDN / telephony numbering plan, national number                                                                                                   |
| 128-255                   | other values (refer GSM 04.08 section 10.5.4.7 <a href="#">[6]</a> )                                                                               |
| <b>&lt;text&gt;:</b>      | associated contact name<br>string type (see Note below)<br>SIM dependant for the ADN phonebook (use AT+CPBW=?)                                     |
| <b>&lt;phb_group&gt;:</b> | phonebook group number in which the entry should be saved<br>range value (1-10)                                                                    |
| <b>&lt;nlength&gt;:</b>   | max length of field <number><br>integer type                                                                                                       |

|                            |                                                                                                                         |
|----------------------------|-------------------------------------------------------------------------------------------------------------------------|
| <b>&lt;length&gt;:</b>     | max length of field <text><br>integer type                                                                              |
| <b>&lt;contact&gt;:</b>    | This parameter gathers the following parameters:<br><num_Mobile>, <num_Work>, <num_Fax>, <num_Data>, <Email>, <Address> |
| <b>&lt;num_Mobile&gt;:</b> | phone number (dedicated for mobile phone number for example)<br>up to 20 digits                                         |
| <b>&lt;num_Work&gt;:</b>   | phone number (dedicated for work phone number for example)<br>up to 20 digits                                           |
| <b>&lt;num_Fax&gt;:</b>    | phone number (dedicated for fax phone number for example)<br>up to 20 digits                                            |
| <b>&lt;num_Data&gt;:</b>   | phone number (dedicated for data phone number for example)<br>up to 20 digits                                           |
| <b>&lt;Email&gt;:</b>      | e-mail address<br>string type<br>up to 56 characters                                                                    |
| <b>&lt;Address&gt;:</b>    | mail address<br>string type<br>up to 56 characters                                                                      |

*Note:* For the <text> parameter all strings starting with "80", "81" or "81" are considered in UCS2 format.  
The +CSCS (Select Character Set) command does not affect the format for phonebook entries.

## 16.3.4. Parameter Storage

None.

## 16.3.5. Examples

| Command                                                    | Responses                                                                                                             |
|------------------------------------------------------------|-----------------------------------------------------------------------------------------------------------------------|
| <b>AT+CPBS="SM"</b><br><i>Note: ADN phonebook</i>          | OK                                                                                                                    |
| <b>AT+CPBS?</b><br><i>Note: Get current memory storage</i> | +CPBS: "SM", 1, 10<br>OK<br><i>Note: ADN phonebook is selected, 1 location is used and 10 locations are available</i> |
| <b>AT+WCOS=0</b><br><i>Note: Phonebook not extended</i>    | OK                                                                                                                    |

| Command                                                                                                                      | Responses                                                                                                                                                    |
|------------------------------------------------------------------------------------------------------------------------------|--------------------------------------------------------------------------------------------------------------------------------------------------------------|
| <b>AT+CPBW=?</b><br><br><i>Note: Test command</i>                                                                            | +CPBW: (1-50), 20, (128-255), 10<br><br>OK<br><br><i>Note: 50 locations, phone number = 20 digits max, TON/NPI = 128-255, text length = 10 character max</i> |
| <b>AT+CPBW=5, "112", 129, "SOS"</b><br><br><i>Note: Write at location 5</i>                                                  | OK<br><br><i>Note: Location 5 written</i>                                                                                                                    |
| <b>AT+CPBR=5</b><br><br><i>Note: Read the entry at location 5</i>                                                            | +CPBR: 5, "112", 129, "SOS"<br><br>OK                                                                                                                        |
| <b>AT+CPBS?</b><br><br><i>Note: Get current memory storage</i>                                                               | +CPBS: "SM", 2, 10<br><br>OK<br><br><i>Note: ADN phonebook is selected, 2 locations are used and 10 locations are available</i>                              |
| <b>AT+CPBW=5, "01290917", 129, "Jacky"</b><br><br><i>Note: Overwrite location 5</i>                                          | OK<br><br><i>Note: Location 5 overwritten</i>                                                                                                                |
| <b>AT+CPBW=6, "01292349", 129, "8000410042"</b><br><br><i>Note: Write location 6 (UCS2 format for the&lt;text&gt; field)</i> | OK<br><br><i>Note: Location 6 is written</i>                                                                                                                 |
| <b>AT+CPBW=8, "01292349", 129, "80xyz"</b><br><br><i>Note: Write location</i>                                                | OK<br><br><i>Note: Location 8 is written. The string has a wrong UCS2 format, it is therefore considered as an ASCII string.</i>                             |
| <b>AT+CPBW=5, "01290917", 129, "Jacky", 1</b><br><br><i>Note: Write an extended entry</i>                                    | +CME ERROR: 3<br><br><i>Note: Error because +WCOS: 0</i>                                                                                                     |
| <b>AT+WCOS=1</b><br><br><i>Note: Phonebook extended</i>                                                                      | OK                                                                                                                                                           |
| <b>AT+CPBW=5, ""01290917"", 129, "Jacky", 1</b><br><br><i>Note: Write an extended entry</i>                                  | OK                                                                                                                                                           |
| <b>AT+WCOS=0</b><br><br><i>Note: Phonebook not extended</i>                                                                  | OK                                                                                                                                                           |
| <b>AT+CPBS="ME"</b><br><br><i>Note: ME phonebook</i>                                                                         | OK                                                                                                                                                           |
| <b>AT+CPBS?</b><br><br><i>Note: How many entries are used ?</i>                                                              | +CPBS: "ME", 2, 500<br><br><i>Note: in ME phonebook, 2 locations are used out of 500 available locations</i>                                                 |
| <b>AT+CPBW=1, "0123456798", 129, "first entry"</b><br><br><i>Note: Write an not extended entry</i>                           | OK                                                                                                                                                           |

| Command                                                                                                                                                                                                                                                      | Responses                                                                                                                                                                                       |
|--------------------------------------------------------------------------------------------------------------------------------------------------------------------------------------------------------------------------------------------------------------|-------------------------------------------------------------------------------------------------------------------------------------------------------------------------------------------------|
| <b>AT+CPBR=1</b><br><br><i>Note: Read the first entry</i>                                                                                                                                                                                                    | +CPBR: 1,"0123456798",129,"first entry"<br><br>OK                                                                                                                                               |
| <b>AT+WCOS=1</b><br><br><i>Note: Phonebook extended</i>                                                                                                                                                                                                      | OK                                                                                                                                                                                              |
| <b>AT+CPBW=1,"0123456798",129,"first entry"</b><br><br><i>Note: Write an entry not extended</i>                                                                                                                                                              | OK                                                                                                                                                                                              |
| <b>AT+CPBW=2,"9876543210",129,"secondentry",<br/>"6543210987",129</b><br><br><i>Note: Write an entry extended</i>                                                                                                                                            | OK                                                                                                                                                                                              |
| <b>AT+CPBR=1,2</b><br><br><i>Note: Read entry 1 and 2</i>                                                                                                                                                                                                    | +CPBR: 1,"0123456798",129,"first<br>entry","",128","",128","",128","",128","",0<br><br>+CPBR: 2,"9876543210",129,"second<br>entry","6543210987",129","",128","",128","",128<br>","",0<br><br>OK |
| <b>AT+CPBW=13,"+331290909",145,"Fred","0141<br/>284549",129,"0600003210",129,"0141280000<br/>",129,"019876543210",<br/>129,"fred@mail_address.com", "Becker<br/>Street London",1</b><br><br><i>Note: Write location with Contact and Phonebook Group n°1</i> | OK<br><br><i>Note: Location 13 is written</i>                                                                                                                                                   |
| <b>AT+CPBW=",+33145221100",145,"SOS"</b><br><br><i>Note: Write at the first location available</i>                                                                                                                                                           | OK<br><br><i>Note: First location available is written</i>                                                                                                                                      |
| <b>AT+CPBS="SM"</b><br><br><i>Note: ADN phonebook</i>                                                                                                                                                                                                        | OK                                                                                                                                                                                              |
| <b>AT+WCOS?</b>                                                                                                                                                                                                                                              | +WCOS: 1<br><br>OK<br><br><i>Note: Extended phonebook</i>                                                                                                                                       |
| <b>AT+CPBW=1</b><br><br><i>Note: Delete entry at first location</i>                                                                                                                                                                                          | OK                                                                                                                                                                                              |
| <b>AT+CPBW=1,"0123456",,"test",1</b><br><br><i>Note: Add an extended entry in SIM with group number (1)</i>                                                                                                                                                  | OK                                                                                                                                                                                              |
| <b>AT+CPBR=1</b>                                                                                                                                                                                                                                             | +CPBR:1,"0123456",129,"test",1<br><br>OK                                                                                                                                                        |
| <b>AT+CPBW=1,"",,"No number"</b><br><br><i>Note : Write an empty number. The TON/NPI is omitted</i>                                                                                                                                                          | OK                                                                                                                                                                                              |
| <b>AT+CPBW=2,"7654321",161,"test2",1</b>                                                                                                                                                                                                                     | OK                                                                                                                                                                                              |

| Command   | Responses                             |
|-----------|---------------------------------------|
| AT+CPBR=2 | +CPBR:2,"7654321",161,"test2",1<br>OK |

### 16.3.6. Notes

- This command is not allowed when the fixed dialing phonebook (FDN) is locked. Moreover, when the FDN is unlocked, PIN2 is required to write in the FDN phonebook. If PIN2 authentication has been performed during the current session, the +CPBW command with FDN is allowed.
- "RC" and "MC" phonebooks can only be erased by using +CPBW. Adding field and/or modifying field is not allowed for these phonebooks.
- This command is not allowed for "EN", "LD", "MC", "RC", "MT", "SN" phonebooks, which can not be written.
- If the AT+WCOS=1 command was used, the request would include the 'Contact' structure.
- When an empty number is written, the <type> parameter should be omitted. When this entry is read, the <type> in the response is equal to 128 (unknown) (see [+CPBR](#) command).

## 16.4. Read Phonebook Entries +CPBR



### 16.4.1. Description

This command returns phonebook entries for a range of locations from the current phonebook memory storage selected with +CPBS.

### 16.4.2. Syntax

Depending on the context several possibilities:

- The entry is stored in the ADN phonebook and AT+WCOS=0:

*Action command*

```
AT+CPBR=<first_entry>[,<last_entry>]
```

```
+CPBR: <loc>,<num>,<type>,<name>
```

```
[+CPBR: <loc>,<num>,<type>,<name>[...]]
```

```
OK
```

- The entry is stored in the ADN phonebook and AT+WCOS=1:

*Action command*

```
AT+CPBR=<first_entry>[,<last_entry>]
```

```
+CPBR: <loc>,<num>,<type>,<name>,<phb_group>
```

```
[+CPBR: <loc>,<num>,<type>,<name>,<phb_group>[...]]
```

```
OK
```

- The entry is stored in the ME phonebook and AT+WCOS=0:

*Action command*

```
AT+CPBR=<first_entry>[,<last_entry>]
```

```
+CPBR: <loc>,<num>,<type>,<name>
```

```
[+CPBR: <loc>,<num>,<type>,<name>[...]]
```

```
OK
```

- The entry is stored in the ME phonebook and AT+WCOS=1:

*Action command*

```
AT+CPBR=<first_entry>[,<last_entry>]
```

```
+CPBR:<loc>,<num>,<type>,<name>,<contact>,<phb_group>
```

```
[+CPBR:<loc>,<num>,<type>,<name>,<contact>,<phb_group>[...]]
```

```
OK
```

*Read command*

None

*Test command*

**AT+CPBR=?**

+CPBR: (list of supported <loc>s),<nlength>,<tlength>

OK

### 16.4.3. Parameters and Defined Values

|                             |                                                                                                         |
|-----------------------------|---------------------------------------------------------------------------------------------------------|
| <b>&lt;first_entry&gt;:</b> | first location (or range of locations) where to read phonebook entry                                    |
| <b>&lt;last_entry&gt;:</b>  | last location (or range of locations) where to read phonebook entry                                     |
| <b>&lt;type&gt;:</b>        | TON/NPI Type of address octet (refer GSM 04.08 subclause 10.5.4.7 <a href="#">[6]</a> )<br>integer type |
| 129                         | ISDN / telephony numbering plan, national / international unknown                                       |
| 145                         | ISDN / telephony numbering plan, international number                                                   |
| 161                         | ISDN / telephony numbering plan, national number                                                        |
| 128-255                     | other values (refer GSM 04.08 section 10.5.4.7 <a href="#">[6]</a> )                                    |
| <b>&lt;nlength&gt;:</b>     | value indicating the maximum length of field <num><br>integer type                                      |
| <b>&lt;tlength&gt;:</b>     | value indicating the maximum length of field <name><br>integer type                                     |
| <b>&lt;loc&gt;:</b>         | phonebook index<br>integer type                                                                         |
| <b>&lt;phb_group&gt;:</b>   | phonebook group<br>range value (1-10)                                                                   |
| <b>&lt;num&gt;:</b>         | phone number<br>string type                                                                             |
| <b>&lt;name&gt;:</b>        | name associated with the phone number<br>up to 30 ASCII characters or 13 UCS2                           |

|                            |                                                                                                                           |
|----------------------------|---------------------------------------------------------------------------------------------------------------------------|
| <b>&lt;contact&gt;:</b>    | this parameter gathers the following parameters:<br><num_Mobile>, <num_Work>, <num_Fax>, <num_Data>,<br><Email>,<Address> |
| <b>&lt;num_Mobile&gt;:</b> | phone number (dedicated for mobile phone number for example)<br>up to 20 digits                                           |
| <b>&lt;num_Work&gt;:</b>   | phone number (dedicated for work phone number for example)<br>up to 20 digits                                             |
| <b>&lt;num_Fax&gt;:</b>    | phone number (dedicated for fax phone number for example)<br>up to 20 digits                                              |
| <b>&lt;num_Data&gt;:</b>   | phone number (dedicated for data phone number for example)<br>up to 20 digits                                             |
| <b>&lt;Email&gt;:</b>      | e-mail address<br>string type<br>up to 56 characters                                                                      |
| <b>&lt;Address&gt;:</b>    | mail address<br>string type<br>up to 56 characters                                                                        |

## 16.4.4. Parameter Storage

None.

## 16.4.5. Examples

| Command                                           | Responses                                                                                                                                           |
|---------------------------------------------------|-----------------------------------------------------------------------------------------------------------------------------------------------------|
| <b>AT+CPBR=?</b><br><br><i>Note: Test command</i> | +CPBR: (1-50),20,10<br><br>OK<br><br><i>Note: 50 locations (from 1 to 50), max length for phone number is 20 digits, 10 characters max for name</i> |
| <b>AT+WCOS?</b><br><br><i>Note: Test command</i>  | +WCOS: 0<br><br>OK<br><br><i>Note: Contact not selected</i>                                                                                         |



| Command                                                             | Responses                                                                                                                                                                                                                                                                                             |
|---------------------------------------------------------------------|-------------------------------------------------------------------------------------------------------------------------------------------------------------------------------------------------------------------------------------------------------------------------------------------------------|
| <b>AT+CPBR=12,14</b><br><br><i>Note: Read entries from 12 to 14</i> | +CPBR: 12,"112",129,"Emergency"<br>+CPBR: 13,"+331290909",145,"Fred"<br>+CPBR: 14,"0146290808",129,"Zazi"<br>OK<br><br><i>Note: Display locations 12,13,14 with location, number, type (TON/NPI), name</i>                                                                                            |
| <b>AT+CPBR=10</b><br><br><i>Note: Read entry 10</i>                 | +CPBR: 10,"0146290921",129,"Rob"<br>OK<br><br><i>Note: Display location 10</i>                                                                                                                                                                                                                        |
| <b>AT+CPBR=11</b><br><br><i>Note: Read entry 11 (UCS2 format)</i>   | +CPBR: 11,"0146290921",129,"8000010002FFFF"<br>OK<br><br><i>Note: Display location 11</i>                                                                                                                                                                                                             |
| <b>AT+CPBS="ME"</b><br><i>Note: Flash memory</i>                    | OK                                                                                                                                                                                                                                                                                                    |
| <b>AT+WCOS=1</b>                                                    | OK<br><br><i>Note: Contact selected</i>                                                                                                                                                                                                                                                               |
| <b>AT+CPBR=13</b><br><br><i>Note: Read entry</i>                    | +CPBR:<br>13,"+331290909",145,"Fred","0141284549",129,<br>"0600003210",129<br>,"0141280000",129,"019876543210",129,"fred@m<br>ail_address.com","Becker Street London",1<br>OK<br><br><i>Note: Display location 13 with location, number, type (TON/NPI), name and contact and phonebook group n°1</i> |
| <b>AT+CPBS="SM"</b><br><i>Note: ADN phonebook</i>                   | OK                                                                                                                                                                                                                                                                                                    |
| <b>AT+CPBR=1</b>                                                    | +CPBR=1,"0123456",129,"test"<br>OK                                                                                                                                                                                                                                                                    |
| <b>AT+WCOS=0</b>                                                    | OK                                                                                                                                                                                                                                                                                                    |
| <b>AT+CPBW=1,"",,"No number"</b>                                    | OK                                                                                                                                                                                                                                                                                                    |
| <b>AT+CPBR=1</b>                                                    | +CPBR: 1,"",128,"No number"<br>OK                                                                                                                                                                                                                                                                     |

## 16.4.6. Notes

- For all phonebook read commands (+CPBR, +CPBF, +CPBN, +CPBP, +CNUM), the TON/NPI MSB of each number is set to 1 (ex: a TON/NPI stored as 17 is displayed as 145).
- If the AT+WCOS=1 command was used, the response will include <Contact> structure.

## 16.5. Find Phonebook Entries +CPBF



### 16.5.1. Description

This command returns phonebook entries with alphanumeric fields starting with a given pattern. The `AT+CPBF=""` command can be used to display all phonebook entries sorted in alphabetical order.

This command is not allowed for "LD", "RC", "MC" phonebooks and for the "EN" phonebook, which does not contain alphanumeric fields.

It is possible to use this command with UCS2 strings. If a wrong UCS2 format is entered, the string is considered as an ASCII string.

### 16.5.2. Syntax

Depending on the context several responses to the command are possible:

- The entry is stored in the ADN phonebook and `AT+WCOS=0`:

*Action command*

```
AT+CPBF=<string>
```

```
+CPBF: <loc>, <num>, <type>, <name>
```

```
OK
```

- The entry is stored in the ADN phonebook and `AT+WCOS=1`

*Action command*

```
AT+CPBF=<string>
```

```
+CPBF: <loc>, <num>, <type>, <name>, <phb_group>
```

```
OK
```

- The entry is stored in the ME phonebook and `AT+WCOS=0`

*Action command*

```
AT+CPBF=<string>
```

```
+CPBF: <loc>, <num>, <type>, <name>
```

```
OK
```

- The entry is stored in the ME phonebook and AT+WCOS=1

*Action command*

**AT+CPBF=<string>**

+CPBF: <loc>,<num>,<type>,<name>,<contact>,<phb\_group>

OK

*Read command*

None

*Test command*

**AT+CPBF=?**

+CPBF: [<nlength>],[<tlength>],[<glength>],[<slength>],[<elength>]

OK

### 16.5.3. Parameters and Defined Values

|                           |                                                                                                                        |
|---------------------------|------------------------------------------------------------------------------------------------------------------------|
| <b>&lt;string&gt;:</b>    | searched pattern string (depends on the format of data stored in the phonebooks)                                       |
| <b>&lt;loc&gt;:</b>       | location number (20 digits max)                                                                                        |
| <b>&lt;num&gt;:</b>       | phone number (20 digits max)                                                                                           |
| <b>&lt;type&gt;:</b>      | TON/NPI Type of address octet (refer GSM 04.08 subclause 10.5.4.7 <a href="#">[6]</a> )<br>integer type                |
|                           | 129 ISDN / telephony numbering plan, national / international unknown                                                  |
|                           | 145 ISDN / telephony numbering plan, international number                                                              |
|                           | 161 ISDN / telephony numbering plan, national number                                                                   |
|                           | 128-255 other values (refer GSM 04.08 section 10.5.4.7 <a href="#">[6]</a> )                                           |
| <b>&lt;phb_group&gt;:</b> | phonebook group<br>range value (1-10)                                                                                  |
| <b>&lt;name&gt;:</b>      | name associated with the phone number .<br>up to 30 ASCII characters or 13 UCS2                                        |
| <b>&lt;contact&gt;:</b>   | this parameter gathers the following parameters:<br><num_Mobile>, <num_Work>, <num_Fax>, <num_Data>, <Email>,<Address> |

|                            |                                                                                 |
|----------------------------|---------------------------------------------------------------------------------|
| <b>&lt;num_Mobile&gt;:</b> | phone number (dedicated for mobile phone number for example)<br>up to 20 digits |
| <b>&lt;num_Work&gt;:</b>   | phone number (dedicated for work phone number for example)<br>up to 20 digits   |
| <b>&lt;num_Fax&gt;:</b>    | phone number (dedicated for fax phone number for example)<br>up to 20 digits    |
| <b>&lt;num_Data&gt;:</b>   | phone number (dedicated for data phone number for example)<br>up to 20 digits   |
| <b>&lt;Email&gt;:</b>      | e-mail address<br>string type<br>up to 56 characters                            |
| <b>&lt;Address&gt;:</b>    | mail address<br>string type<br>up to 56 characters                              |

## 16.5.4. Parameter Storage

None.

## 16.5.5. Examples

| Command                                                                                    | Responses                                                                                                                                          |
|--------------------------------------------------------------------------------------------|----------------------------------------------------------------------------------------------------------------------------------------------------|
| <b>AT+CPBF=?</b><br><br><i>Note: Test command</i>                                          | +CPBF: 20,14<br>OK<br><br><i>Note: Max length for phone number is 20 digits, 14 characters for the text</i>                                        |
| <b>AT+CPBF="E"</b><br><br><i>Note: Read entries with "E"</i>                               | +CPBF: 12,"112",129,"Emergency"<br>+CPBF: 15,"+331290101",145,"Eric"<br>OK<br><br><i>Note: Display locations with text field starting with "E"</i> |
| <b>AT+CPBF="H"</b><br><br><i>Note: Read entries with "H"</i>                               | +CME ERROR: 22<br><br><i>Note: No entry found</i>                                                                                                  |
| <b>AT+CPBF="800001"</b><br><br><i>Note: Read entries starting with 0001 UCS2 character</i> | +CPBF: 11,"0146290921",129,"8000010002FFFF"<br>OK<br><br><i>Note: Display locations with text field starting with 0001 UCS2 character</i>          |

| Command                                                                         | Responses                                                                                                                                                                                                              |
|---------------------------------------------------------------------------------|------------------------------------------------------------------------------------------------------------------------------------------------------------------------------------------------------------------------|
| <b>AT+CPBF="8045C"</b><br><i>Note: Read entries with "8045C" (ASCII format)</i> | +CME ERROR: 22<br><i>Note: No entry found. The string has a wrong UCS2 format, it is therefore considered as an ASCII string</i>                                                                                       |
| <b>AT+CPBS="SM"</b><br><i>Note: ADN phonebook</i>                               | OK                                                                                                                                                                                                                     |
| <b>AT+WCOS=0</b><br><i>Note: Phonebook not extended</i>                         | OK                                                                                                                                                                                                                     |
| <b>AT+CPBF="Test"</b><br><i>Note: Read entries with "Test"</i>                  | +CPBF: 1,"0123456789",129,"Test ADN"<br><i>Note: Display locations with text field starting with "Test"</i>                                                                                                            |
| <b>AT+WCOS=1</b><br><i>Note: Phonebook extended</i>                             | OK                                                                                                                                                                                                                     |
| <b>AT+CPBF="Test"</b><br><i>Note: Read entries with "Test"</i>                  | +CPBF: 1,"0123456789",129,"Test ADN",0<br><i>Note: Display locations with text field starting with "Test" extended entry</i>                                                                                           |
| <b>AT+CPBS="ME"</b><br><i>Note: Flash phonebook</i>                             | OK                                                                                                                                                                                                                     |
| <b>AT+WCOS=0</b><br><i>Note: Phonebook not extended</i>                         | OK                                                                                                                                                                                                                     |
| <b>AT+CPBF="Test"</b><br><i>Note: Read entries with "Test"</i>                  | +CPBF: 1,"0123456789",129,"Test ME"<br><i>Note: Display locations with text field starting with "Test"</i>                                                                                                             |
| <b>AT+WCOS=1</b><br><i>Note: Phonebook extended</i>                             | OK                                                                                                                                                                                                                     |
| <b>AT+CPBF="Test"</b><br><i>Note: Read entries with "Test"</i>                  | +CPBF: 1,"0123456789",129,"Test<br>ME","9876543210",129,"",128,"",128,"",128,"e_mail@ma<br>il_address.com",<br>"post address",0<br><i>Note: Display locations with text field starting with "Test", extended entry</i> |
| <b>AT+WCOS=0</b>                                                                | OK                                                                                                                                                                                                                     |
| <b>AT+CPBW=1,"",,"No number"</b>                                                | OK                                                                                                                                                                                                                     |
| <b>AT+CPBF="No number"</b>                                                      | +CPBF: 1,"",128,"No number"<br>OK                                                                                                                                                                                      |

## 16.6. Phonebook Phone Search +CPBP



### 16.6.1. Description

This Sierra Wireless proprietary command orders the product to search in the phonebook for an item with the same phone number as provided in the parameter.

If two different entries of the selected phonebook have the same number, the entry returned by +CPBP command is the first one written using +CPBW command..

### 16.6.2. Syntax

Depending on the context several responses to the command are possible:

- The entry is stored in the ADN phonebook and AT+WCOS=0:

```
Action command
AT+CPBP=<number>
+CPBP: <index>,<number>,<type>,<text>
OK
```

- The entry is stored in the ADN phonebook and AT+WCOS=1

```
Action command
AT+CPBP=<number>
+CPBP: <index>,<number>,<type>,<text>,<phb_group>
OK
```

- The entry is stored in the ME phonebook and AT+WCOS=0

```
Action command
AT+CPBP=<number>
+CPBP: <index>,<number>,<type>,<text>
OK
```

- The entry is stored in the ME phonebook and AT+WCOS=1

```
Action command
AT+CPBP=<number>
+CPBP: <index>,<number>,<type>,<text>,<contact>,<phb_group>
OK
```

*Read command*

None

*Test command*

**AT+CPBP=?**

+CPBP: (list of supported <index>s),<nlength>,<tlength>

OK

### 16.6.3. Parameters and Defined Values

|                            |                                                                                                                          |
|----------------------------|--------------------------------------------------------------------------------------------------------------------------|
| <b>&lt;index&gt;:</b>      | location in memory storage<br>range of possible values depending on the capacity of the phonebook memory<br>integer type |
| <b>&lt;number&gt;:</b>     | phone number in ASCII format<br>string type                                                                              |
| <b>&lt;type&gt;:</b>       | TON/NPI Type of address octet (refer GSM 04.08 subclause 10.5.4.7 <a href="#">[6]</a> )<br>integer type                  |
|                            | 129 ISDN / telephony numbering plan, national / international unknown                                                    |
|                            | 145 ISDN / telephony numbering plan, international number                                                                |
|                            | 161 ISDN / telephony numbering plan, national number                                                                     |
|                            | 128-255 other values (refer GSM 04.08 section 10.5.4.7 <a href="#">[6]</a> )                                             |
| <b>&lt;text&gt;:</b>       | associated contact name<br>string type (see note below)<br>SIM dependant for the ADN phonebook (use AT+CPBW=?)           |
| <b>&lt;phb_group&gt;:</b>  | phonebook group number<br>range value (1-10)                                                                             |
| <b>&lt;nlength&gt;:</b>    | max length of field <number><br>integer type                                                                             |
| <b>&lt;tlength&gt;:</b>    | max length of field <text><br>integer type                                                                               |
| <b>&lt;contact&gt;:</b>    | this parameter gathers the following parameters:<br><num_Mobile>, <num_Work>, <num_Fax>, <num_Data>, <Email>,<Address>   |
| <b>&lt;num_Mobile&gt;:</b> | phone number (dedicated for mobile phone number for example)<br>up to 20 digits                                          |



|                          |                                                                               |
|--------------------------|-------------------------------------------------------------------------------|
| <b>&lt;num_Work&gt;:</b> | phone number (dedicated for work phone number for example)<br>up to 20 digits |
| <b>&lt;num_Fax&gt;:</b>  | phone number (dedicated for fax phone number for example)<br>up to 20 digits  |
| <b>&lt;num_Data&gt;:</b> | phone number (dedicated for data phone number for example)<br>up to 20 digits |
| <b>&lt;Email&gt;:</b>    | e-mail address<br>string type<br>up to 56 characters                          |
| <b>&lt;Address&gt;:</b>  | mail address<br>string type<br>up to 56 characters                            |

## 16.6.4. Parameter Storage

None.

## 16.6.5. Examples

| Command                                                                                           | Responses                                                                                                                                                     |
|---------------------------------------------------------------------------------------------------|---------------------------------------------------------------------------------------------------------------------------------------------------------------|
| <b>AT+CPBP=?</b><br><br><i>Note: Test command</i>                                                 | +CPBP: (1-50),20,10<br><br>OK<br><br><i>Note: 50 locations (from 1 to 50), max length for phone number is 20 digits, max length for text is 10 characters</i> |
| <b>AT+CPBP="+331290101"</b><br><br><i>Note: Search entries corresponding to this phone number</i> | +CPBP: 15,"+331290101",145,"Eric"<br><br>OK<br><br><i>Note: Display the entry corresponding to the specified phone number</i>                                 |
| <b>AT+CPBP="01290202"</b><br><br><i>Note: Search entries corresponding to this phone number</i>   | +CPBP: 15,"+331290202",145,"David"<br><br>OK<br><br><i>Note: Display the entry corresponding to the specified phone number</i>                                |
| <b>AT+CPBP="+331288575"</b><br><br><i>Note: Search entries corresponding to this phone number</i> | +CPBP: 15,"+331290101",145,"8045682344FFFF"<br><br>OK<br><br><i>Note: Display the entry corresponding to the specified phone number (UCS2 format)</i>         |
| <b>AT+CPBS="SM"</b><br><br><i>Note: ADN phonebook</i>                                             | OK                                                                                                                                                            |

| Command                                                                                       | Responses                                                                                                                               |
|-----------------------------------------------------------------------------------------------|-----------------------------------------------------------------------------------------------------------------------------------------|
| <b>AT+WCOS=0</b><br><i>Note: Phonebook not extended</i>                                       | OK                                                                                                                                      |
| <b>AT+CPBP="0123456789"</b><br><i>Note: Search entries corresponding to this phone number</i> | +CPBP: 1, "0123456789", 129, "Test ADN"<br>OK<br><i>Note: Display the entry corresponding to the specified phone number</i>             |
| <b>AT+WCOS=1</b><br><i>Note: Phonebook extended</i>                                           | OK                                                                                                                                      |
| <b>AT+CPBP="0123456789"</b><br><i>Note: Search entries corresponding to this phone number</i> | +CPBP: 1, "0123456789", 129, "Test ADN", 0<br>OK                                                                                        |
| <b>AT+CPBS="ME"</b><br><i>Note: ME phonebook</i>                                              | OK                                                                                                                                      |
| <b>AT+WCOS=0</b><br><i>Note: Phonebook not extended</i>                                       | OK                                                                                                                                      |
| <b>AT+CPBP="0123456789"</b><br><i>Note: Search entries corresponding to this phone number</i> | +CPBP: 1, "0123456789", 129, "Test ME"<br>OK                                                                                            |
| <b>AT+WCOS=1</b><br><i>Note: Phonebook extended</i>                                           | OK                                                                                                                                      |
| <b>AT+CPBP="0123456789"</b><br><i>Note: Search entries corresponding to this phone number</i> | +CPBP: 1, "0123456789", 129, "Test ME", "9876543210", 129, "", 128, "", 128, "", 128, "e_mail@somewhere.com", "postal address", 0<br>OK |

## 16.7. Move Action in Phonebook +CPBN



### 16.7.1. Description

This Sierra Wireless proprietary command performs a forward or backward move in the phonebook (in alphabetical order). It is not allowed for the "EN" phonebook which does not contain alphanumeric fields.

### 16.7.2. Syntax

Depending on the context, several responses to the command are possible:

- The entry is stored in the ADN phonebook and AT+WCOS=0:

```
Action command  
AT+CPBN=<mode>  
+CPBN: <index>,<number>,<type>,<name>  
OK
```

- The entry is stored in the ADN phonebook and AT+WCOS=1

```
Action command  
AT+CPBN=<mode>  
+CPBN: <index>,<number>,<type>,<name>,<phb_group>  
OK
```

- The entry is stored in the ME phonebook and AT+WCOS=0

```
Action command  
AT+CPBN=<mode>  
+CPBN: <index>,<number>,<type>,<name>  
OK
```

- The entry is stored in the ME phonebook and AT+WCOS=1

*Action command*

**AT+CPBN=<mode>**

+CPBN: <index>,<number>,<type>,<name>,<contact>,<phb\_group>

OK

*Read command*

None

*Test command*

**AT+CPBN=?**

+CPBN: (list of supported <mode>s)

OK

### 16.7.3. Parameters and Defined Values

|                        |                                                                                                                          |
|------------------------|--------------------------------------------------------------------------------------------------------------------------|
| <b>&lt;mode&gt;:</b>   | requested entry to be displayed                                                                                          |
| 0                      | first item                                                                                                               |
| 1                      | last item                                                                                                                |
| 2                      | next valid item in alphabetical order                                                                                    |
| 3                      | previous valid item in alphabetical order                                                                                |
| 4                      | last item read (usable only if a read operation has been performed on the current phonebook)                             |
| 5                      | last item written (usable only if a write operation has been performed on the current phonebook)                         |
| <b>&lt;index&gt;:</b>  | location in memory storage<br>range of possible values depending on the capacity of the phonebook memory<br>integer type |
| <b>&lt;number&gt;:</b> | phone number in ASCII format<br>string type                                                                              |
| <b>&lt;type&gt;:</b>   | TON/NPI Type of address octet (refer GSM 04.08 subclause 10.5.4.7 <a href="#">[6]</a> )<br>integer type                  |
| 129                    | ISDN / telephony numbering plan, national / international unknown                                                        |
| 145                    | ISDN / telephony numbering plan, international number                                                                    |
| 161                    | ISDN / telephony numbering plan, national number                                                                         |

|                            |         |                                                                                                                        |
|----------------------------|---------|------------------------------------------------------------------------------------------------------------------------|
|                            | 128-255 | other values (refer GSM 04.08 section 10.5.4.7 <a href="#">[6]</a> )                                                   |
| <b>&lt;phb_group&gt;:</b>  |         | phonebook group number<br>range :1-10                                                                                  |
| <b>&lt;name&gt;:</b>       |         | name of the group.<br>up to 30 ASCII characters or 13 UCS2                                                             |
| <b>&lt;contact&gt;:</b>    |         | this parameter gathers the following parameters:<br><num_Mobile>, <num_Work>, <num_Fax>, <num_Data>, <Email>,<Address> |
| <b>&lt;num_Mobile&gt;:</b> |         | phone number (dedicated for mobile phone number for example)<br>up to 20 digits                                        |
| <b>&lt;num_Work&gt;:</b>   |         | phone number (dedicated for work phone number for example)<br>up to 20 digits                                          |
| <b>&lt;num_Fax&gt;:</b>    |         | phone number (dedicated for fax phone number for example)<br>up to 20 digits                                           |
| <b>&lt;num_Data&gt;:</b>   |         | phone number (dedicated for data phone number for example)<br>up to 20 digits                                          |
| <b>&lt;Email&gt;:</b>      |         | e-mail address<br>string type<br>up to 56 characters                                                                   |
| <b>&lt;Address&gt;:</b>    |         | mail address<br>string type<br>up to 56 characters                                                                     |

## 16.7.4. Parameter Storage

None.

## 16.7.5. Examples

| Command                                           | Responses                                         |
|---------------------------------------------------|---------------------------------------------------|
| <b>AT+CPBN=?</b>                                  | +CPBN: (0-5)<br>OK<br><i>Note: Possible modes</i> |
| <b>AT+CPBS="SM"</b><br><i>Note: ADN phonebook</i> | OK                                                |

| Command                                                     | Responses                                                                                                   |
|-------------------------------------------------------------|-------------------------------------------------------------------------------------------------------------|
| <b>AT+WCOS=0</b><br><i>Note: Phonebook not extended</i>     | OK                                                                                                          |
| <b>AT+CPBN=0</b><br><i>Note: Read the first location</i>    | +CPBN: 15, "+331290101", 145, "Eric"<br>OK<br><i>Note: Display the first location</i>                       |
| <b>AT+WCOS=1</b><br><i>Note: Phonebook extended</i>         | OK                                                                                                          |
| <b>AT+CPBN=2</b><br><i>Note: Read the next location</i>     | +CPBN: 5, "+33147658987", 145, "Frank", 0<br>OK<br><i>Note: Display the second location, extended entry</i> |
| <b>AT+CPBN=2</b><br><i>Note: Read the next location</i>     | +CPBN: 6, "+331290302", 145, "Marc", 0<br>OK<br><i>Note: Display the third location, extended entry</i>     |
| <b>AT+WCOS=0</b><br><i>Note: Phonebook not extended</i>     | OK                                                                                                          |
| <b>AT+CPBN=3</b><br><i>Note: Read the previous location</i> | +CPBN: 5, "+33147658987", 145, "Frank"<br>OK<br><i>Note: Display the second location</i>                    |
| <b>AT+CPBN=1</b><br><i>Note: Read the last location</i>     | +CPBN: 6, "+331290302", 145, "Marc"<br>OK<br><i>Note: Display the last location</i>                         |
| <b>AT+CPBN=2</b><br><i>Note: Read the next location</i>     | +CPBN: 15, "+331290101", 145, "Eric"<br>OK<br><i>Note: Display the first location</i>                       |
| <b>AT+CPBF="Er"</b><br><i>Note: Find "Er" in phonebook</i>  | +CPBF: 15, "+331290101", 145, "Eric"<br>OK<br><i>Note: Display the location</i>                             |
| <b>AT+CPBN=2</b><br><i>Note: Read the next location</i>     | +CPBN: 5, "+33147658987", 145, "Frank"<br>OK<br><i>Note: Display the following location</i>                 |
| <b>AT+CPBF="Er"</b><br><i>Note: Find "Er" in phonebook</i>  | +CPBF: 15, "+331290101", 145, "Eric"<br>OK<br><i>Note: Display the location</i>                             |

| Command                                                                                                    | Responses                                                                                                                                                                                                |
|------------------------------------------------------------------------------------------------------------|----------------------------------------------------------------------------------------------------------------------------------------------------------------------------------------------------------|
| <b>AT+CPBN=4</b><br><br><i>Note: Get the last location read</i>                                            | +CPBN: 15, "+331290101", 145, "Eric"<br>OK<br><br><i>Note: Display the last location read</i>                                                                                                            |
| <b>AT+CPBW=, "0146290800", 129, "WM"</b><br><br><i>Note: Write an item at the first location available</i> | OK<br><br><i>Note: No information about this location</i>                                                                                                                                                |
| <b>AT+CPBN=4</b><br><br><i>Note: Get the last location read</i>                                            | +CPBN: 15, "+331290101", 145, "Eric"<br>OK<br><br><i>Note: Display the last location read</i>                                                                                                            |
| <b>AT+CPBN=5</b><br><br><i>Note: Display the last item written with its location</i>                       | +CPBN: 38, "0146290800", 129, "WM"<br>OK<br><br><i>Note: Display the last item written with its location</i>                                                                                             |
| <b>AT+CPBN=4</b><br><br><i>Note: Get the last item read</i>                                                | +CPBN: 38, "0146290800", 129, "WM"<br>OK<br><br><i>Note: Now the last item read is the last written item too</i>                                                                                         |
| <b>AT+CPBF="800041FFFF"</b><br><br><i>Note: Find"800041" in phonebook</i>                                  | +CPBF: 15, "+3312345", 145, "8000414339FFFF"<br>OK<br><br><i>Note: Display this location</i>                                                                                                             |
| <b>AT+CPBN=4</b><br><br><i>Note: Get the last location read</i>                                            | +CPBN: 15, "+3312345", 145, "8000414339FFFF"<br>OK<br><br><i>Note: Display the last location read Please note that the AT+CPBN=5 command is useful after an AT+CPBW command used without a location.</i> |

## 16.7.6. Notes

The AT+CPBN=5 command is useful after an AT+CPBW command used without a location.

## 16.8. Create and Delete a Phonebook Group +WPGW



### 16.8.1. Description

This Sierra Wireless proprietary command creates or deletes a phonebook group.

### 16.8.2. Syntax

#### *Action command*

```
AT+WPGW=<phb_group>[,<name>]
```

OK

#### *Read command*

None

#### *Test command*

```
AT+WPGW=?
```

```
+WPGW: (list of supported <index>s),<tlength>
```

OK

### 16.8.3. Parameters and Defined Values

|                           |                                                                     |
|---------------------------|---------------------------------------------------------------------|
| <b>&lt;phb_group&gt;:</b> | phonebook group number<br>range value (1-10)                        |
| <b>&lt;name&gt;:</b>      | name of the group.<br>up to 30 ASCII characters or 13 UCS2          |
| <b>&lt;tlength&gt;:</b>   | value indicating the maximum length of field <name><br>integer type |



## 16.8.4. Parameter Storage

None.

## 16.8.5. Examples

| Command                                                           | Responses                                                                                               |
|-------------------------------------------------------------------|---------------------------------------------------------------------------------------------------------|
| <b>AT+WPGW=?</b><br><br><i>Note: Test command</i>                 | +WPGW: (1-10), 30<br><br>OK<br><br><i>Note: 10 possible groups, group name can be 30 characters max</i> |
| <b>AT+WPGW=1,"group 1"</b><br><br><i>Note: Create group #1</i>    | OK<br><br><i>Note: Group 1 created</i>                                                                  |
| <b>AT+WPGW=1,"phb group1"</b><br><br><i>Note: Rename group #1</i> | OK<br><br><i>Note: Group 1 renamed</i>                                                                  |
| <b>AT+WPGW=1</b>                                                  | OK<br><br><i>Note: Erase group #1</i>                                                                   |

## 16.9. Read a Phonebook Group +WPGR



### 16.9.1. Description

This Sierra Wireless proprietary command reads the phonebook group entries, the phonebook group name or the number of entries used in a group.

### 16.9.2. Syntax

Depending on the mode, several syntaxes are available for the action command:

- `<mode>= 1, 2`

#### Action command

```
AT+WPGR=<mode>[,<group index>]
+WPGR: <group index>,<group name>
[+WPGR: <group index>,<group name>[...]]
OK
```

- `<mode>= 3`

#### Action command

```
AT+WPGR=<mode>,<group index>
+WPGR: <loc>,<num>,<type>,<name>[,<contact>][,<phb_group>]
[+WPGR: <loc>,<num>,<type>,<name>[,<contact>][,<phb_group>][...]]
OK
```

---

*Note:* The response syntax is the same as +CPBR (refer to [+CPBR](#) command for more details).

*<Contact> field is returned only if the entry is stored in ME phone book*

---

- `<mode> = 4`

#### Action command

```
AT+WPGR=<mode>,<index>
+WPGR: <used>/<total>
OK
```

*Read command*

None

*Test command*

**AT+WPGR=?**

+WPGR: (list of supported <mode>s), (list of supported <group index>s)

OK

### 16.9.3. Parameters and Defined Values

|                             |                                                                                                         |
|-----------------------------|---------------------------------------------------------------------------------------------------------|
| <b>&lt;mode&gt;:</b>        | phonebook group read mode                                                                               |
| 1                           | read the name of one phonebook group                                                                    |
| 2                           | read the names of all phonebook groups                                                                  |
| 3                           | list all entries of one phonebook group (in alphabetical order)                                         |
| 4                           | read the number of used entries in a phonebook group                                                    |
| <b>&lt;used&gt;:</b>        | number of used entries in a phonebook group<br>integer type                                             |
| <b>&lt;total&gt;:</b>       | number of available entries in a phonebook group<br>integer type (the maximum number of entries is 100) |
| <b>&lt;group name&gt;:</b>  | phonebook group name<br>string type                                                                     |
| <b>&lt;group index&gt;:</b> | phonebook group index<br>integer type<br>range value (1-10)                                             |
| <b>&lt;loc&gt;:</b>         | phonebook index<br>integer type                                                                         |
| <b>&lt;phb_group&gt;:</b>   | phonebook group number<br>range value (1-10)                                                            |
| <b>&lt;num&gt;:</b>         | phone number<br>string type                                                                             |
| <b>&lt;name&gt;:</b>        | name associated with the phone number .<br>up to 30 ASCII characters or 13 UCS2                         |

|                            |                                                                                                                         |
|----------------------------|-------------------------------------------------------------------------------------------------------------------------|
| <b>&lt;type&gt;:</b>       | TON/NPI Type of address octet (refer GSM 04.08 subclause 10.5.4.7 [6])<br>integer type                                  |
| 129                        | ISDN / telephony numbering plan, national / international unknown                                                       |
| 145                        | ISDN / telephony numbering plan, international number<br><number> includes the international access code character "+"  |
| 161                        | ISDN / telephony numbering plan, national number                                                                        |
| 128-255                    | other values (refer GSM 04.08 section 10.5.4.7 [6])                                                                     |
| <b>&lt;contact&gt;:</b>    | this parameter gathers the following parameters:<br><num_Mobile>, <num_Work>, <num_Fax>, <num_Data>, <Email>, <Address> |
| <b>&lt;num_Mobile&gt;:</b> | phone number (dedicated for mobile phone number for example)<br>up to 20 digits                                         |
| <b>&lt;num_Work&gt;:</b>   | phone number (dedicated for work phone number for example)<br>up to 20 digits                                           |
| <b>&lt;num_Fax&gt;:</b>    | phone number (dedicated for fax phone number for example)<br>up to 20 digits                                            |
| <b>&lt;num_Data&gt;:</b>   | phone number (dedicated for data phone number for example)<br>up to 20 digits                                           |
| <b>&lt;Email&gt;:</b>      | e-mail address<br>string type<br>up to 56 characters                                                                    |
| <b>&lt;Address&gt;:</b>    | mail address<br>string type<br>up to 56 characters                                                                      |

## 16.9.4. Parameter Storage

None.

## 16.9.5. Examples

| Command                                           | Responses                                                             |
|---------------------------------------------------|-----------------------------------------------------------------------|
| <b>AT+WPGR=?</b><br><br><i>Note: Test command</i> | +WPGR: (1-4), (1-10)<br><br>OK<br><br><i>Note: 10 possible groups</i> |

| Command                                                                                                                                                                                                 | Responses                                                                                                                                                                                                                                                                                                                                                                                                                                                                                                                                                                                                                        |
|---------------------------------------------------------------------------------------------------------------------------------------------------------------------------------------------------------|----------------------------------------------------------------------------------------------------------------------------------------------------------------------------------------------------------------------------------------------------------------------------------------------------------------------------------------------------------------------------------------------------------------------------------------------------------------------------------------------------------------------------------------------------------------------------------------------------------------------------------|
| <b>AT+WPGR=1,1</b><br><br><i>Note: Read the name of phonebook group 1</i>                                                                                                                               | +WPGR: 1,"group 1"<br><br>OK                                                                                                                                                                                                                                                                                                                                                                                                                                                                                                                                                                                                     |
| <b>AT+WPGR=2</b><br><br><i>Note: Read the names of all phonebook groups</i>                                                                                                                             | +WPGR: 1,"group 1"<br>+WPGR: 2,"group 2"<br><br>OK                                                                                                                                                                                                                                                                                                                                                                                                                                                                                                                                                                               |
| <b>AT+WCOS=0</b><br><br><i>Note: Phonebook not extended</i>                                                                                                                                             | OK                                                                                                                                                                                                                                                                                                                                                                                                                                                                                                                                                                                                                               |
| <b>AT+WPGR=3,1</b><br><br><i>Note: Lists all entries of phonebook group 1</i>                                                                                                                           | +WPGR: 2,"+33567891234",145,"Elvis"<br>+WPGR: 31,"+331290909",145,"Fred"<br>+WPGR: 1,"+33123456789",145,"John"<br>+WPGR: 33,"",128,"No number"<br>+WPGR: 32,"0123456789",129,"Test"<br><br>OK<br><br><i>Note: SIM entries: index 1 and 2; Flash entries: index 31 and 32</i><br><br><i>(The SIM supports 30 entries in this example)</i>                                                                                                                                                                                                                                                                                         |
| <b>AT+WCOS=1</b><br><br><i>Note: Phonebook extended</i>                                                                                                                                                 | OK                                                                                                                                                                                                                                                                                                                                                                                                                                                                                                                                                                                                                               |
| <b>AT+WPGR=3,1</b><br><br><i>Note: Lists all entries of phonebook group 1</i><br><br><i>The entries list displayed with AT+WPGR=3,1 contains records from both ME and SIM phonebook (MT phonebook).</i> | +WPGR: 2,"+33567891234",145,"Elvis",1<br>+WPGR:<br>31,"+331290909",145,"Fred","0141284549",1<br>29,"0600003210",129,"0141280000",<br>129,"019876543210",129,"fred@mail_address<br>.com","Becker Street London",1<br>+WPGR: 1,"+33123456789",145,"John",1<br>+WPGR: 33,"",128,"No number","",128,"",12<br>8,"",128,"",128,"","",1<br>+WPGR:<br>32,"0123456789",129,"Test","0141284549",1<br>29,"0600003210",129,<br>"0141280000",129,<br>"6549873210",129,"test@mail_address.com",<br>"",1<br><br>OK<br><br><i>Note: SIM entries: index 1 and 2; Flash entries: index 31 and 32 (The SIM supports 30 entries in this example)</i> |
| <b>AT+WPGR=4,1</b><br><br><i>Note: Read the number of used entries in the phonebook group 1</i>                                                                                                         | +WPGR: 5/100<br><br>OK<br><br><i>Note: 4 entries are used from the 100 possible entries</i>                                                                                                                                                                                                                                                                                                                                                                                                                                                                                                                                      |

## 16.10. Settings of a Group +WPGS



### 16.10.1. Description

This Sierra Wireless proprietary command sets the parameters for a group.

### 16.10.2. Syntax

Depending on the mode, several syntaxes are available for the action command:

- `<mode>= 0`

*Action command*

```
AT+WPGS=<mode>,<group index>
```

```
+WPGS: <restrict call>
```

```
OK
```

- `<mode>= 1`

*Action command*

```
AT+WPGS=<mode>,<group index>,<restrict call>
```

```
OK
```

*Read command*

```
None
```

*Test command*

```
AT+WPGS=?
```

```
+WPGS: (list of supported <mode>s), (list of supported <group index>s), (list of supported <restrict call>s)
```

```
OK
```

### 16.10.3. Parameters and Defined Values

|                               |                                                                                                                        |
|-------------------------------|------------------------------------------------------------------------------------------------------------------------|
| <b>&lt;mode&gt;:</b>          | requested operation                                                                                                    |
| 0                             | read group settings                                                                                                    |
| 1                             | write group settings                                                                                                   |
| <b>&lt;group index&gt;:</b>   | index of a group                                                                                                       |
| <b>&lt;restrict call&gt;:</b> | call restriction mode                                                                                                  |
| 0                             | all refused - incoming call is forwarded to the voice mailbox or rejected like busy line (depends on network operator) |
| 1                             | all accepted - incoming call is received (RING message is displayed)                                                   |

### 16.10.4. Parameter Storage

None.

### 16.10.5. Examples

| Command                                                                  | Responses                                           |
|--------------------------------------------------------------------------|-----------------------------------------------------|
| <b>AT+WPGS=1,1,1</b><br><i>Note: Set restrict call to "All Accepted"</i> | OK                                                  |
| <b>AT+WPGS=0,1</b><br><i>Note: Command reads group 1 settings</i>        | +WPGS: 1<br>OK<br><i>Note: Group 1 all accepted</i> |
| <b>AT+WPGS=?</b><br><i>Note: Test command</i>                            | +WPGS: (0-1), (1-10), (0-1)<br>OK                   |

## 16.11. Delete Calls Phonebook +WDCP



### 16.11.1. Description

This Sierra Wireless proprietary command allows to delete the calls listed in some phonebooks.

### 16.11.2. Syntax

#### *Action command*

```
AT+WDCP=<mem>
```

OK

#### *Read command*

None

#### *Test command*

```
AT+WDCP=?
```

```
+WDCP: (list of supported <mem>s)
```

OK

### 16.11.3. Parameters and Defined Values

|                     |                                          |
|---------------------|------------------------------------------|
| <b>&lt;mem&gt;:</b> | type of phonebook                        |
| "LD"                | SIM (ME extended) last dialing phonebook |
| "MC"                | ME missed calls list phonebook           |
| "RC"                | ME received calls list phonebook         |

### 16.11.4. Parameter Storage

None.



## 16.11.5. Examples

| Command                                                                                   | Responses                                                                                                        |
|-------------------------------------------------------------------------------------------|------------------------------------------------------------------------------------------------------------------|
| <b>AT+WDCP=?</b><br><br><i>Note: Possible values?</i>                                     | +WDCP: ("LD", "MC", "RC")<br><br>OK<br><br><i>Note: Identifiers of the phonebooks supporting a list of calls</i> |
| <b>AT+WDCP="LD"</b><br><br><i>Note: Delete all the content of Last Dialing phonebook.</i> | OK<br><br><i>Note: Last Dialing phonebook is now empty.</i>                                                      |

## 16.12. Subscriber Number +CNUM



### 16.12.1. Description

This command returns the subscriber MSISDN(s). If the subscriber has several MSISDNs for various services, each MSISDN is returned in a separate line.

### 16.12.2. Syntax

*Action command*

**AT+CNUM**

+CNUM: <alpha<sub>1</sub>>, <number<sub>1</sub>>, <type<sub>1</sub>>

[+CNUM: <alpha<sub>2</sub>>, <number<sub>2</sub>>, <type<sub>2</sub>> [...]]

OK

*Read command*

None

*Test command*

**AT+CNUM=?**

OK

### 16.12.3. Parameters and Defined Values

|                                     |                                                                     |
|-------------------------------------|---------------------------------------------------------------------|
| <b>&lt;alpha<sub>i</sub>&gt;</b> :  | optional alphanumeric string associated with <number <sub>i</sub> > |
| <b>&lt;number<sub>i</sub>&gt;</b> : | phone number in ASCII format<br>string type                         |

|                                   |                                                                                                         |
|-----------------------------------|---------------------------------------------------------------------------------------------------------|
| <b>&lt;type<sub>i</sub>&gt;</b> : | TON/NPI Type of address octet (refer GSM 04.08 subclause 10.5.4.7 <a href="#">[6]</a> )<br>integer type |
| 129                               | ISDN / telephony numbering plan, national / international unknown                                       |
| 145                               | ISDN / telephony numbering plan, international number                                                   |
| 161                               | ISDN / telephony numbering plan, national number                                                        |
| 128-255                           | other values (refer GSM 04.08 section 10.5.4.7 <a href="#">[6]</a> )                                    |

## 16.12.4. Parameter Storage

None.

## 16.12.5. Examples

| Command                                          | Responses                                                                                                                                                              |
|--------------------------------------------------|------------------------------------------------------------------------------------------------------------------------------------------------------------------------|
| <b>AT+CNUM</b><br><br><i>Note: Get MSISDN(s)</i> | +CNUM: "Phone", "0612345678", 129<br>+CNUM: "Fax", "0687654321", 129<br>+CNUM: "80001002FFFF", "+0183773", 145<br>OK<br><br><i>Note: Last number is in UCS2 format</i> |
| <b>AT+CNUM=?</b>                                 | OK                                                                                                                                                                     |
| <b>AT+CPBS="ON"</b>                              | OK                                                                                                                                                                     |
| <b>AT+CPBW=4, "0146278478", 161, "Cell"</b>      | OK                                                                                                                                                                     |
| <b>AT+CNUM</b>                                   | +CNUM: "Phone", "0612345678", 129<br>+CNUM: "Fax", "0687654321", 129<br>+CNUM: "80001002FFFF", "+0183773", 145<br>+CNUM: "Cell", "0146278478", 161<br>OK               |

## 16.13. Set Voice Mail Number +CSVM



### 16.13.1. Description

This command allows to set/get and enable/disable the voice mail number in memory.

*Note:* This command is used to specifically manage the ME Memory stored Voicemail Numbers. Any actions related to the SIM stored Voicemail Numbers (from the CPHS SIM Storage) MUST be managed through AT+CPHS=2,2.

### 16.13.2. Syntax

#### Action command

```
AT+CSVM=<mode>[,<number>[,<type>]]
```

OK

#### Read command

```
AT+CSVM?
```

```
+CSVM: <mode>,<number>,<type>
```

OK

#### Test command

```
AT+CSVM=?
```

```
+CSVM: (list of supported <mode>s),(list of supported <type>s)
```

OK

### 16.13.3. Parameters and Defined Values

|                        |                                                                                                                       |
|------------------------|-----------------------------------------------------------------------------------------------------------------------|
| <b>&lt;mode&gt;:</b>   | voice mail number mode                                                                                                |
| 0                      | disable the voice mail number (default value)                                                                         |
| 1                      | enable the voice mail number                                                                                          |
| <b>&lt;number&gt;:</b> | phone number in ASCII format<br>string type                                                                           |
| <b>&lt;type&gt;:</b>   | TON/NPI for <number>; default 145 when dialing string includes international access code character "+", otherwise 129 |
| 129                    | ISDN / telephony numbering plan, national / international unknown                                                     |
| 145                    | ISDN / telephony numbering plan, international number                                                                 |
| 161                    | ISDN / telephony numbering plan, national number                                                                      |
| 128-255                | other values (refer GSM 04.08 section 10.5.4.7 <a href="#">[6]</a> )                                                  |

### 16.13.4. Parameter Storage

All parameters are stored in EEPROM. The default value can be restored using AT&F.

### 16.13.5. Examples

| Command                                                                                               | Responses                                                                                                      |
|-------------------------------------------------------------------------------------------------------|----------------------------------------------------------------------------------------------------------------|
| <b>AT+CSVM=?</b><br><br><i>Note: Possible values?</i>                                                 | +CSVM: (0-1), (128-255)<br><br>OK<br><br><i>Note: Activation/deactivation and format 128-255 are supported</i> |
| <b>AT+CSVM=0, "888", 129</b><br><br><i>Note: Disable Voice Mail number and change value to "888".</i> | OK                                                                                                             |
| <b>AT+CSVM?</b><br><br><i>Note: Get mail number</i>                                                   | +CSVM: 1, "888", 129<br><br>OK<br><br><i>Note: Voice mail number "888" is activated</i>                        |

## 16.14. Avoid Phonebook Init +WAIP



### 16.14.1. Description

This Sierra Wireless proprietary command allows the initialization of all phonebooks to be inhibited during subsequent boots.

### 16.14.2. Syntax

*Action command*

```
AT+WAIP=<mode>
```

```
OK
```

*Read command*

```
AT+WAIP?
```

```
+WAIP: <mode>
```

```
OK
```

*Test command*

```
AT+WAIP=?
```

```
+WAIP: (list of supported <mode>s)
```

```
OK
```

### 16.14.3. Parameters and Defined Values

| <mode>: | phonebook initialization mode         |
|---------|---------------------------------------|
| 0       | normal initialization (default value) |
| 1       | no phonebook initialization           |

### 16.14.4. Parameter Storage

The <mode> parameter is stored in EEPROM using the AT&W command. The default value can be restored using AT&F.

## 16.14.5. Examples

| Command                                                                               | Responses                                                   |
|---------------------------------------------------------------------------------------|-------------------------------------------------------------|
| <b>AT+WAIP=?</b><br><br><i>Note: Query possible values</i>                            | +WAIP: (0,1)<br><br>OK<br><br><i>Note: Disable / enable</i> |
| <b>AT+WAIP=1</b><br><br><i>Note: Inhibit initialization of phonebooks (next boot)</i> | OK<br><br><i>Note: no answer</i>                            |
| <b>AT+WAIP?</b><br><br><i>Note: Get current value</i>                                 | +WAIP: 1<br><br>OK                                          |

## 16.15. Specify Emergency Call Codes +WECC



### 16.15.1. Description

This Sierra Wireless proprietary command allows an application to specify new Emergency Call Codes.

According to 3GPP specifications, only certain numbers should be considered as emergency numbers:

- Without a SIM: 112, 911, 000, 08, 110, 999, 118 and 119
- With a SIM: 112, 911 and numbers present in the EF<sub>ECC</sub> SIM file.

All others numbers will be considered GSM numbers.

These numbers can be retrieved with the +CPBR AT command.

### 16.15.2. Syntax

#### *Action command*

```
AT+WECC=[<index>] [,<nb> [,<category>]]
```

OK

#### *Read command*

```
AT+WECC?
```

```
[+WECC: <index>,<nb> [,<category>]
```

```
[+WECC: <index>,<nb> [,<category>] [...]]]
```

OK

#### *Test command*

```
AT+WECC=?
```

```
+WECC: (list of supported <index>s) ,<nlength> , (list of supported <category>s)
```

OK



### 16.15.3. Defined values

|                          |                                                                                                                                                                          |
|--------------------------|--------------------------------------------------------------------------------------------------------------------------------------------------------------------------|
| <b>&lt;index&gt;:</b>    | Location in memory storage. If this parameter is not filled, the <nb> number will be stored in the first free location.<br><br>Range: [1-20]                             |
| <b>&lt;nb&gt;:</b>       | phone number in ASCII format, up to 6 digits. When this parameter is filled, the number stored at <index> location will be erased.<br><br>Allowed digits: {[0-9], *, #}. |
| <b>&lt;nlength&gt;:</b>  | max length for a <nb>.<br><br>The value of this parameter is 6.                                                                                                          |
| <b>&lt;category&gt;:</b> | Emergency Call category. Bit field:                                                                                                                                      |
| bit 1                    | Police                                                                                                                                                                   |
| bit 2                    | Ambulance                                                                                                                                                                |
| bit 3                    | Fire Brigade                                                                                                                                                             |
| bit 4                    | Marine Guard                                                                                                                                                             |
| bit 5                    | Mountain Rescue                                                                                                                                                          |
| bit 6                    | Manually initiated eCall                                                                                                                                                 |
| bit 7                    | Automatically initiated eCall                                                                                                                                            |
| bit 8                    | Spare and set to "0"                                                                                                                                                     |

### 16.15.4. Parameter Storage

The <nb> parameters are stored in flash (not in E2P)

### 16.15.5. Examples

| Command                                                                   | Responses                       |
|---------------------------------------------------------------------------|---------------------------------|
| <b>AT+WECC=?</b>                                                          | +WECC: (1-20), 6, (0-127)<br>OK |
| <b>AT+WECC?</b>                                                           | OK<br><i>Note: No number</i>    |
| <b>AT+WECC=1, "15"</b><br><i>Note: Add "15" as an Emergency Call Code</i> | OK                              |

| Command                                                                                                                  | Responses                                 |
|--------------------------------------------------------------------------------------------------------------------------|-------------------------------------------|
| AT+WECC?                                                                                                                 | +WEEC: 1, "15"<br>OK                      |
| AT+WECC=, "18", 4<br><i>Note: Add "18" as an Emergency Call Code in the first free location, category = fire brigade</i> | OK                                        |
| AT+WECC?<br><i>Note: Add "18" as an Emergency Call Code in the first free location</i>                                   | +WEEC: 1, "15"<br>+WECC: 2, "18", 4<br>OK |
| AT+WECC=1<br><i>Note: Erase the first number</i>                                                                         | OK                                        |
| AT+WECC?                                                                                                                 | +WECC: 2, "18", 4<br>OK                   |

### 16.15.6. Results

This command returns OK when the command is executed correctly.

This command returns ERROR when:

| ERROR Responses | Definition                                                                                                                                     |
|-----------------|------------------------------------------------------------------------------------------------------------------------------------------------|
| +CME ERROR: 3   | A <nb> param exceeds 6 digits<br>Too many <nb> parameters<br>Invalid character in the <nb> parameter<br>At least one parameter is out of range |
| +CME ERROR: 20  | Memory is full. Happens when all locations are filled and AT+WECC=,<nb> command is sent to the WCPU                                            |

### 16.15.7. Notes

This command does not add emergency numbers to those listed by +CPBR AT Command and "EN" phonebook selected.

The command does not return an error if the user tries to erase an entry that has not been filled.

## 17. Short message Commands

### 17.1. Select Message Service +CSMS



#### 17.1.1. Description

This command defines the availability of the SMS services and the SMS AT commands version. The supported services are originated (SMS-MO), terminated short message (SMS-MT) or Cell Broadcast Message (SMS-CB) services.

#### 17.1.2. Syntax

##### *Action command*

```
AT+CSMS=<service>
```

```
+CSMS: <mt>,<mo>,<bm>
```

```
OK
```

##### *Read command*

```
AT+CSMS?
```

```
+CSMS: <service>,<mt>,<mo>,<bm>
```

```
OK
```

##### *Test command*

```
AT+CSMS=?
```

```
+CSMS: (list of supported <service>s)
```

```
OK
```

### 17.1.3. Parameters and Defined Values

|                         |   |                                                                                          |
|-------------------------|---|------------------------------------------------------------------------------------------|
| <b>&lt;service&gt;:</b> |   | selected service                                                                         |
|                         | 0 | SMS AT commands are compatible with GSM 07.05 [1] phase 2 version 4.7.0. (default value) |
|                         | 1 | SMS AT commands are compatible with GSM 07.05 [1] phase 2+ version.                      |
| <b>&lt;mt&gt;:</b>      |   | SMS-MT support                                                                           |
|                         | 0 | SMS-MT not supported                                                                     |
|                         | 1 | SMS-MT supported                                                                         |
| <b>&lt;mo&gt;:</b>      |   | SMS-MO support                                                                           |
|                         | 0 | SMS-MO not supported                                                                     |
|                         | 1 | SMS-MO supported                                                                         |
| <b>&lt;bm&gt;:</b>      |   | SMS-CB support                                                                           |
|                         | 0 | SMS-CB not supported                                                                     |
|                         | 1 | SMS-CB supported                                                                         |

### 17.1.4. Parameter Storage

The <service> parameter is stored in EEPROM using the AT&W command. The default value can be restored using AT&F.

### 17.1.5. Examples

| Command                                                               | Responses                                                              |
|-----------------------------------------------------------------------|------------------------------------------------------------------------|
| <b>AT+CSMS=0</b><br><i>Note: SMS AT command phase 2 version 4.7.0</i> | +CSMS: 1,1,1<br>OK<br><i>Note: SMS-MO, SMS-MT and SMS-CB supported</i> |
| <b>AT+CSMS?</b><br><i>Note: Get current values</i>                    | +CSMS: 0,1,1,1<br>OK                                                   |
| <b>AT+CSMS=?</b><br><i>Note: Possible services</i>                    | +CSMS: (0,1)<br>OK                                                     |

## 17.2. New Message Indication +CNMI



### 17.2.1. Description

This command selects the procedure for message reception from the network.

### 17.2.2. Syntax

#### Action command

```
AT+CNMI=<mode>,<mt>,<bm>,<ds>,<bfr>
```

OK

#### Read command

```
AT+CNMI?
```

```
+CNMI: <mode>,<mt>,<bm>,<ds>,<bfr>
```

OK

#### Test command

```
AT+CNMI=?
```

```
+CNMI: (list of supported <mode>s), (list of supported <mt>s), (list of supported  
<bm>s), (list of supported <ds>s), (list of supported <bfr>s)
```

OK

- For <mt>=1

#### Unsolicited response

```
+CMTI: <mem>,<index>
```

- For <mt>=2 and PDU mode

#### Unsolicited response

```
+CMT: [<alpha>],<length><pdu>
```

- For <mt>=2 and text mode

*Unsolicited response*

```
+CMT: <oa>, [<alpha>], <scts>[, <tooa>, <fo>, <pid>, <dcs>, <sca>, <tosca>, <length>]  
<data>
```

- For <bm>=1

*Unsolicited response*

```
+CBMI: <mem>, <index>
```

- For <bm>=2 and PDU mode

*Unsolicited response*

```
+CBM: <length>  
<pdu>
```

- For <bm>=2 and text mode

*Unsolicited response*

```
+CBM: <sn>, <mid>, <dcs>, <page>, <pages>  
<data>
```

- For <ds>=1 and PDU mode

*Unsolicited response*

```
+CDS: <length>  
<pdu>
```

- For <ds>=1 and text mode

*Unsolicited response*

```
+CDS: <fo>, <mr>, [<ra>], [<tora>], <scts>, <dt>, <st>
```

- For <ds>=2

*Unsolicited response*

```
+CDSI: <mem>, <index>
```

### 17.2.3. Parameters and Defined Values

|                      |                                                                                                                                                                                                                                                                                                                                                                                                                                        |
|----------------------|----------------------------------------------------------------------------------------------------------------------------------------------------------------------------------------------------------------------------------------------------------------------------------------------------------------------------------------------------------------------------------------------------------------------------------------|
| <b>&lt;mode&gt;:</b> | processing of unsolicited result codes (see <a href="#">Note</a> below)                                                                                                                                                                                                                                                                                                                                                                |
| 0                    | same processing as <mode>=2                                                                                                                                                                                                                                                                                                                                                                                                            |
| 1                    | same processing as <mode>=2                                                                                                                                                                                                                                                                                                                                                                                                            |
| 2                    | Buffer unsolicited result codes in the TA when TA-TE link is reserved and flush them to the TE after reservation.<br>Otherwise forward them directly to the TE                                                                                                                                                                                                                                                                         |
| 3                    | Forward unsolicited result codes to the TE by using a specific inband technique: while TA-TE link is reserved (i.e. TE is in online data mode by CSD or GPRS call) unsolicited result codes are replaced by a break (100ms) and stored in a buffer. The unsolicited result codes buffer is flushed to the TE after reservation (after +++ was entered). Otherwise, (the TE is not in online data mode) forward them directly to the TE |
| <b>&lt;mt&gt;:</b>   | result code indication routing for SMS-DELIVER indications                                                                                                                                                                                                                                                                                                                                                                             |
| 0                    | no SMS-DELIVER indications are routed                                                                                                                                                                                                                                                                                                                                                                                                  |
| 1                    | SMS-DELIVERS are routed using unsolicited code +CMTI (default value)                                                                                                                                                                                                                                                                                                                                                                   |
| 2                    | SMS-DELIVERS (except class 2 messages) are routed using unsolicited code +CMT                                                                                                                                                                                                                                                                                                                                                          |
| 3                    | Class 3 SMS-DELIVERS are routed directly using code in <mt>=2<br>Other classes messages result in indication <mt>=1                                                                                                                                                                                                                                                                                                                    |
| <b>&lt;bm&gt;:</b>   | rules for storing the received CBMs (Cell Broadcast Message) types.<br>They also depend on the coding scheme (text or PDU) and the setting of Select CBM Types (see <a href="#">+CSCB</a> command).                                                                                                                                                                                                                                    |
| 0                    | no CBM indications are routed to the TE (default value).<br>The CBMs are stored.                                                                                                                                                                                                                                                                                                                                                       |
| 1                    | The CBM is stored and an indication of the memory location is routed to the customer application using unsolicited result code +CBMI.                                                                                                                                                                                                                                                                                                  |
| 2                    | New CBMs are routed directly to the TE using unsolicited result code +CBM.                                                                                                                                                                                                                                                                                                                                                             |
| 3                    | Class 3 CBMs: as <bm>=2.<br>Other classes CBMs: as <bm>=1.                                                                                                                                                                                                                                                                                                                                                                             |
| <b>&lt;ds&gt;:</b>   | SMS-STATUS-REPORTs routing                                                                                                                                                                                                                                                                                                                                                                                                             |
| 0                    | no SMS-STATUS-REPORTs are routed (default value)                                                                                                                                                                                                                                                                                                                                                                                       |
| 1                    | SMS-STATUS-REPORTs are routed using unsolicited code +CDS.                                                                                                                                                                                                                                                                                                                                                                             |
| 2                    | SMS-STATUS-REPORTs are stored and routed using the unsolicited result code +CDSI.                                                                                                                                                                                                                                                                                                                                                      |
| <b>&lt;bfr&gt;:</b>  | TA buffer of unsolicited result codes mode                                                                                                                                                                                                                                                                                                                                                                                             |

|                        |                                                                                                                                                                                    |
|------------------------|------------------------------------------------------------------------------------------------------------------------------------------------------------------------------------|
| 0                      | TA buffer defined within this command is flushed to the TE when <mode> = 1 to 3 is entered (OK response shall be given before flushing the codes).<br><br>Default value            |
| 1                      | TA buffer of unsolicited result codes defined within this command is cleared when <mode> 1...3 is entered.                                                                         |
| <b>&lt;mem&gt;:</b>    | memory storage                                                                                                                                                                     |
| "SM"                   | SMS message storage in SIM (default value)                                                                                                                                         |
| "ME"                   | SMS message storage in Flash                                                                                                                                                       |
| "SR"                   | status report message storage (in SIM if the EF-SMR file exists, otherwise in the ME non volatile memory)                                                                          |
| "BM"                   | CBM message storage (in volatile memory)                                                                                                                                           |
| <b>&lt;length&gt;:</b> | text mode (AT+CMGF=1): number of characters<br>PDU mode (AT+CMGF=0): length of the TP data unit in bytes<br><br>integer type                                                       |
| <b>&lt;alpha&gt;:</b>  | associated phonebook name<br><br>string type                                                                                                                                       |
| <b>&lt;scts&gt;:</b>   | service center timestamp<br><br>string format: "yy/MM/dd,hh:mm:ss±zz"<br>(Year/Month/Day,Hour:Min:Seconds±TimeZone)                                                                |
| <b>&lt;oa&gt;:</b>     | originator address<br><br>string type                                                                                                                                              |
| <b>&lt;tooa&gt;:</b>   | type of address of <oa>; when first character of <oa>is "+" default is 145, otherwise default is 129 (refer GSM 04.08 subclause 10.5.4.7 <a href="#">[6]</a> )<br><br>integer type |
| 129                    | ISDN / telephony numbering plan, national / international unknown                                                                                                                  |
| 145                    | ISDN / telephony numbering plan, international number                                                                                                                              |
| 161                    | ISDN / telephony numbering plan, national number                                                                                                                                   |
| 128-255                | other values (refer GSM 04.08 section 10.5.4.7 <a href="#">[6]</a> )                                                                                                               |
| <b>&lt;fo&gt;:</b>     | first byte of SMS-DELIVER or SMS-STATUS-REPORT, for further information refer to document <a href="#">[1]</a><br><br>integer type                                                  |
| <b>&lt;pid&gt;:</b>    | protocol identifier<br><br>integer type                                                                                                                                            |
| <b>&lt;dcs&gt;:</b>    | data coding scheme, coded like in document <a href="#">[5]</a><br><br>integer type                                                                                                 |



|                       |                                                                                                                                                                                  |
|-----------------------|----------------------------------------------------------------------------------------------------------------------------------------------------------------------------------|
| <b>&lt;sca&gt;:</b>   | service center address<br>string type                                                                                                                                            |
| <b>&lt;tosca&gt;:</b> | type of address of <sca>; when first character of <sca>is "+" default is 145, otherwise default is 129 (refer GSM 04.08 subclause 10.5.4.7 <a href="#">[6]</a> )<br>integer type |
| 129                   | ISDN / telephony numbering plan, national / international unknown                                                                                                                |
| 145                   | ISDN / telephony numbering plan, international number                                                                                                                            |
| 161                   | ISDN / telephony numbering plan, national number                                                                                                                                 |
| 128-255               | other values (refer GSM 04.08 section 10.5.4.7 <a href="#">[6]</a> )                                                                                                             |
| <b>&lt;data&gt;:</b>  | SMS user data in text mode<br>string type                                                                                                                                        |
| <b>&lt;pdu&gt;:</b>   | SMS user data in PDU mode<br>string type (hexadecimal format)                                                                                                                    |
| <b>&lt;index&gt;:</b> | place of storage in memory<br>integer type                                                                                                                                       |
| <b>&lt;sn&gt;:</b>    | CBM serial number<br>integer type                                                                                                                                                |
| <b>&lt;mid&gt;:</b>   | CBM message identifier<br>integer type                                                                                                                                           |
| <b>&lt;page&gt;:</b>  | CBM page parameter bits 4-7<br>integer type                                                                                                                                      |
| <b>&lt;pages&gt;:</b> | CBM page parameter bits 0-3<br>integer type                                                                                                                                      |
| <b>&lt;mr&gt;:</b>    | message reference<br>integer type                                                                                                                                                |
| <b>&lt;ra&gt;:</b>    | recipient address<br>string type                                                                                                                                                 |

|                      |                                                                                                                                                                                                                                                                                                                                                                                                                                                                                                                                                                                       |     |                                                                   |     |                                                       |     |                                                  |         |                                                     |
|----------------------|---------------------------------------------------------------------------------------------------------------------------------------------------------------------------------------------------------------------------------------------------------------------------------------------------------------------------------------------------------------------------------------------------------------------------------------------------------------------------------------------------------------------------------------------------------------------------------------|-----|-------------------------------------------------------------------|-----|-------------------------------------------------------|-----|--------------------------------------------------|---------|-----------------------------------------------------|
| <b>&lt;tora&gt;:</b> | <p>type of address of &lt;ra&gt;; when first character of &lt;ra&gt;is "+" default is 145, otherwise default is 129 (refer GSM 04.08 subclause 10.5.4.7 [6])</p> <p>integer type</p> <table border="1"> <tr> <td>129</td> <td>ISDN / telephony numbering plan, national / international unknown</td> </tr> <tr> <td>145</td> <td>ISDN / telephony numbering plan, international number</td> </tr> <tr> <td>161</td> <td>ISDN / telephony numbering plan, national number</td> </tr> <tr> <td>128-255</td> <td>other values (refer GSM 04.08 section 10.5.4.7 [6])</td> </tr> </table> | 129 | ISDN / telephony numbering plan, national / international unknown | 145 | ISDN / telephony numbering plan, international number | 161 | ISDN / telephony numbering plan, national number | 128-255 | other values (refer GSM 04.08 section 10.5.4.7 [6]) |
| 129                  | ISDN / telephony numbering plan, national / international unknown                                                                                                                                                                                                                                                                                                                                                                                                                                                                                                                     |     |                                                                   |     |                                                       |     |                                                  |         |                                                     |
| 145                  | ISDN / telephony numbering plan, international number                                                                                                                                                                                                                                                                                                                                                                                                                                                                                                                                 |     |                                                                   |     |                                                       |     |                                                  |         |                                                     |
| 161                  | ISDN / telephony numbering plan, national number                                                                                                                                                                                                                                                                                                                                                                                                                                                                                                                                      |     |                                                                   |     |                                                       |     |                                                  |         |                                                     |
| 128-255              | other values (refer GSM 04.08 section 10.5.4.7 [6])                                                                                                                                                                                                                                                                                                                                                                                                                                                                                                                                   |     |                                                                   |     |                                                       |     |                                                  |         |                                                     |
| <b>&lt;dt&gt;:</b>   | <p>discharge time</p> <p>string format: "yy/MM/dd, hh:mm:ss±zz"(Year [00-99], Month [01-12], Day [01-31], Hour, Minute, Second and Time Zone [quarters of an hour])</p>                                                                                                                                                                                                                                                                                                                                                                                                               |     |                                                                   |     |                                                       |     |                                                  |         |                                                     |
| <b>&lt;st&gt;:</b>   | <p>status of a SMS-STATUS-REPORT</p> <p>integer type</p> <hr/> <p><i>Note:</i> Please refer to document [4] (ETSI GSM 03.40: Digital cellular telecommunications system (Phase 2); Technical implementation of the Short Message Service (SMS) Point-to-Point (PP)) for detailed description and possible values.</p> <hr/>                                                                                                                                                                                                                                                           |     |                                                                   |     |                                                       |     |                                                  |         |                                                     |

*Note:* Only <mode>=2 and 3 are supported.

Any other value for <mode> (0 or 1) is accepted (return code will be OK), but the processing of unsolicited result codes will be the same as with <mode>=2.

## 17.2.4. Parameter Storage

The <mode>,<mt>,<bm>,<ds> and <bfr> parameters are stored in EEPROM using the AT+CSAS command. The default values can be restored using AT&F.

## 17.2.5. Examples

| Command                                         | Responses                                                                                                                  |
|-------------------------------------------------|----------------------------------------------------------------------------------------------------------------------------|
| <b>AT+CNMI=2,1,0,0,0</b><br><i>Note:</i> <mt>=1 | OK<br><br>+CMTI: "SM",1<br><i>Note: Message received</i>                                                                   |
| <b>AT+CNMI=2,2,0,0,0</b><br><i>Note:</i> <mt>=2 | OK<br><br>+CMT:<br>"123456", "98/10/01, 12:3000+00", 129, 4, 32, 240, "15<br>379", 129, 5<br><i>Note: Message received</i> |

| Command                                                                                                                      | Responses                                                                                                                                                                                          |
|------------------------------------------------------------------------------------------------------------------------------|----------------------------------------------------------------------------------------------------------------------------------------------------------------------------------------------------|
| <b>AT+CNMI=2,0,0,1,0</b><br><i>Note: &lt;ds&gt;=1</i>                                                                        | OK                                                                                                                                                                                                 |
| <b>AT+CMGS="+33146290800"&lt;CR&gt;</b><br><b>Happy Birthday !&lt;ctrl-Z&gt;</b><br><i>Note: Send a message in text mode</i> | +CMGS: 7<br>OK<br><i>Note: Successful transmission</i><br><br>+CDS:<br>2,116,"+33146290800",145,"98/10/01,12:30:07+04"<br>,"98/10/0112:30:08+04",0<br><i>Note: Message was correctly delivered</i> |

## 17.3. Set Text Mode Parameters +CSMP



### 17.3.1. Description

This command is used to select a value for <vp>, <pid>, and <dc> and configure the text mode.

### 17.3.2. Syntax

*Action command*

```
AT+CSMP=[<fo>,<vp>,<pid>,<dc>]]]]
```

OK

*Read command*

```
AT+CSMP?
```

```
+CSMP: <fo>,<vp>,<pid>,<dc>
```

OK

*Test command*

```
AT+CSMP=?
```

OK

### 17.3.3. Parameters and Defined Values

<fo>:

The <fo> byte comprises 6 fields:

|    |      |     |     |    |    |     |    |
|----|------|-----|-----|----|----|-----|----|
| b7 | b6   | b5  | b4  | b3 | b2 | b1  | b0 |
| RP | UDHI | SRR | VPF |    | RD | Mit |    |

|                     |                                                                                                                                                                                                                                                                                                                                                                                                                                                                                                |          |                                       |            |                                       |            |                    |            |                     |
|---------------------|------------------------------------------------------------------------------------------------------------------------------------------------------------------------------------------------------------------------------------------------------------------------------------------------------------------------------------------------------------------------------------------------------------------------------------------------------------------------------------------------|----------|---------------------------------------|------------|---------------------------------------|------------|--------------------|------------|---------------------|
| <b>&lt;vp&gt;:</b>  | <p>validity period</p> <p>In text mode is only coded in "relative" format.</p> <p>default value 167 (24 hours)</p> <p>This means that one byte can describe different values.</p> <table border="1"> <tr> <td>0 to 143</td> <td>(VP + 1) x 5 minutes (up to 12 hours)</td> </tr> <tr> <td>144 to 167</td> <td>12 hours + ( VP – 143) x 30 minutes )</td> </tr> <tr> <td>168 to 196</td> <td>(VP – 166) x 1 day</td> </tr> <tr> <td>197 to 255</td> <td>(VP – 192) x 1 week</td> </tr> </table> | 0 to 143 | (VP + 1) x 5 minutes (up to 12 hours) | 144 to 167 | 12 hours + ( VP – 143) x 30 minutes ) | 168 to 196 | (VP – 166) x 1 day | 197 to 255 | (VP – 192) x 1 week |
| 0 to 143            | (VP + 1) x 5 minutes (up to 12 hours)                                                                                                                                                                                                                                                                                                                                                                                                                                                          |          |                                       |            |                                       |            |                    |            |                     |
| 144 to 167          | 12 hours + ( VP – 143) x 30 minutes )                                                                                                                                                                                                                                                                                                                                                                                                                                                          |          |                                       |            |                                       |            |                    |            |                     |
| 168 to 196          | (VP – 166) x 1 day                                                                                                                                                                                                                                                                                                                                                                                                                                                                             |          |                                       |            |                                       |            |                    |            |                     |
| 197 to 255          | (VP – 192) x 1 week                                                                                                                                                                                                                                                                                                                                                                                                                                                                            |          |                                       |            |                                       |            |                    |            |                     |
| <b>&lt;pid&gt;:</b> | <p>protocol Id (please refer to <a href="#">[1]</a>)</p> <p>string type</p>                                                                                                                                                                                                                                                                                                                                                                                                                    |          |                                       |            |                                       |            |                    |            |                     |
| <b>&lt;dc&gt;:</b>  | <p>data encoding scheme (please refer to <a href="#">[1]</a>)</p> <p>integer type</p>                                                                                                                                                                                                                                                                                                                                                                                                          |          |                                       |            |                                       |            |                    |            |                     |
| <b>RP:</b>          | Reply Path, not used in text mode                                                                                                                                                                                                                                                                                                                                                                                                                                                              |          |                                       |            |                                       |            |                    |            |                     |
| <b>UDHI:</b>        | <p>User Data Header Information</p> <p>b6=1 if the beginning of the User Data field contains a Header in addition to the short message. This option is not supported in +CSMP command, but can be used in PDU mode (+CMGS).</p>                                                                                                                                                                                                                                                                |          |                                       |            |                                       |            |                    |            |                     |
| <b>SRR:</b>         | <p>Status Report Request.</p> <p>b5=1 if a status report is requested. This mode is supported.</p>                                                                                                                                                                                                                                                                                                                                                                                             |          |                                       |            |                                       |            |                    |            |                     |
| <b>VPF:</b>         | <p>Validity Period Format</p> <p>b4=0 &amp; b3=0 -&gt; &lt;vp&gt; field is not present</p> <p>b4=1 &amp; b3=0 -&gt; &lt;vp&gt; field is present in relative format</p> <p>Others formats (absolute &amp; enhanced) are not supported.</p>                                                                                                                                                                                                                                                      |          |                                       |            |                                       |            |                    |            |                     |
| <b>RD:</b>          | <p>Reject Duplicates</p> <p>b2=1 to instruct the SC to reject an SMS-SUBMIT for an SM still held in the SC which has the same &lt;mr&gt; and the same &lt;da&gt; as the previously submitted SM from the same &lt;oa&gt;.</p>                                                                                                                                                                                                                                                                  |          |                                       |            |                                       |            |                    |            |                     |
| <b>MTI:</b>         | <p>Message Type Indicator</p> <p>b1=0 &amp; b0=0 -&gt; SMS-DELIVER (in the direction SC to MS)</p> <p>b1=0 &amp; b0=1 -&gt; SMS-SUBMIT (in the direction MS to SC)</p>                                                                                                                                                                                                                                                                                                                         |          |                                       |            |                                       |            |                    |            |                     |

### 17.3.4. Parameter Storage

The <vp> parameter is stored in E2P using the AT+CSAS command. The default value can be restored using AT&F.

### 17.3.5. Examples

| Command                                                                                                                                                                                                | Responses                                                                                                             |
|--------------------------------------------------------------------------------------------------------------------------------------------------------------------------------------------------------|-----------------------------------------------------------------------------------------------------------------------|
| <p><b>AT+CSMP?</b></p> <p><i>Note: Current values</i></p>                                                                                                                                              | <p>+CSMP: 0,0,0,0</p> <p>OK</p> <p><i>Note: No validity period &lt;dc&gt;= PCCP437 alphabet (8 bits □ 7 bits)</i></p> |
| <p><b>AT+CSMP=17,23,64,244</b></p> <p><i>Note:&lt;vp&gt; = 23 (2 hours, relative format)</i></p> <p><i>&lt;dc&gt; = GSM 8 bits alphabet. Remind to enter &lt;fo&gt; value in decimal notation.</i></p> | <p>OK</p>                                                                                                             |
| <p><b>AT+CSMP=,23,64,244</b></p>                                                                                                                                                                       | <p>+CSMP ERROR: 302 is received</p>                                                                                   |

## 17.4. Preferred Message Format +CMGF



### 17.4.1. Description

This command allows selecting the preferred message format. The message formats supported are text mode and PDU mode.

### 17.4.2. Syntax

*Action command*

```
AT+CMGF=<mode>
```

OK

*Read command*

```
AT+CMGF?
```

```
+CMGF=<mode>
```

OK

*Test command*

```
AT+CMGF=?
```

```
+CMGF: (list of supported <mode>s)
```

OK

### 17.4.3. Parameters and Defined Values

|                       |                           |
|-----------------------|---------------------------|
| <b>&lt;mode&gt; :</b> | PDU or text mode          |
| 0                     | PDU mode                  |
| 1                     | text mode (default value) |

### 17.4.4. Parameter Storage

The <mode> parameter is stored in EEPROM using AT&W.

## 17.4.5. Examples

| Command                                                      | Responses                                                                  |
|--------------------------------------------------------------|----------------------------------------------------------------------------|
| <b>AT+CMGF?</b><br><br><i>Note : Current message format</i>  | +CMGF:1<br><br>OK<br><br><i>Note: Text mode</i>                            |
| <b>AT+CMGF=?</b><br><br><i>Note: Possible message format</i> | +CMGF: (0,1)<br><br>OK<br><br><i>Note: Text or PDU modes are available</i> |
| <b>AT+CMGF=0</b><br><br><i>Note: Set PDU mode</i>            | OK<br><br><i>Note: PDU mode valid</i>                                      |



## 17.5. Preferred Message Storage +CPMS



### 17.5.1. Description

This command allows the message storage area to be selected (for reading, writing).

### 17.5.2. Syntax

#### *Action command*

```
AT+CPMS=<mem1>[,<mem2>,[<mem3>]]
```

```
+CPMS: <used1>,<total1>,<used2>,<total2>,<used3>,<total3>
```

```
OK
```

#### *Read command*

```
AT+CPMS?
```

```
+CPMS: <used1>,<total1>,<used2>,<total2>,<used3>,<total3>
```

```
OK
```

#### *Test command*

```
AT+CPMS=?
```

```
+CPMS: (list of supported <mem1>s,list of supported <mem2>s,list of supported  
<mem3>s)
```

```
OK
```

### 17.5.3. Parameters and Defined Values

|                        |                                                                                                           |
|------------------------|-----------------------------------------------------------------------------------------------------------|
| <b>&lt;mem1&gt;:</b>   | memory used to list, read and delete messages.                                                            |
| "SM"                   | SMS message storage in SIM (default value)                                                                |
| "ME"                   | SMS message storage in Flash                                                                              |
| "SR"                   | status report message storage (in SIM if the EF-SMR file exists, otherwise in the ME non volatile memory) |
| "BM"                   | CBM message storage (in volatile memory)                                                                  |
| <b>&lt;mem2&gt;:</b>   | memory used to write and send messages                                                                    |
| "SM"                   | SMS message storage in SIM (default value)                                                                |
| "ME"                   | SMS message storage in Flash                                                                              |
| <b>&lt;mem3&gt;:</b>   | memory to which received SMS are preferred to be stored                                                   |
| "SM"                   | SMS message storage in SIM (default value)                                                                |
| "ME"                   | SMS message storage in Flash                                                                              |
| <b>&lt;used1&gt;:</b>  | used capacity of <mem1>                                                                                   |
| <b>&lt;used2&gt;:</b>  | used capacity of <mem2>                                                                                   |
| <b>&lt;used3&gt;:</b>  | used capacity of <mem3>                                                                                   |
| <b>&lt;total1&gt;:</b> | total capacity of <mem1>                                                                                  |
| <b>&lt;total2&gt;:</b> | total capacity of <mem2>                                                                                  |
| <b>&lt;total3&gt;:</b> | total capacity of <mem3>                                                                                  |

### 17.5.4. Parameter Storage

Parameters are stored in EEPROM using the AT&W command. Default values can be restored using AT&F.

## 17.5.5. Examples

| Command                                                                                                      | Responses                                                                                                                                                                                                  |
|--------------------------------------------------------------------------------------------------------------|------------------------------------------------------------------------------------------------------------------------------------------------------------------------------------------------------------|
| <b>AT+CPMS=?</b><br><br><i>Note: Possible message storages</i>                                               | +CPMS :<br>( ("SM", "ME", "BM", "SR"), ("SM", "ME"), ("SM", "ME") )<br><br>OK<br><br><i>Note: Read, list, delete: SMS or SMS Status Report</i><br><i>Write, send: SMS</i>                                  |
| <b>AT+CPMS?</b><br><br><i>Note: Read</i>                                                                     | +CPMS: "SM", 3, 10, "SM", 3, 10, "SM", 3, 10<br><br>OK<br><br><i>Note: Read, write, SMS from/to SIM. 3 SMS are stored in SIM. 10 is the total number available in SIM</i>                                  |
| <b>AT+CPMS="SM", "ME", "SM"</b><br><br><i>Note: Select SM for reading, ME for writing and SM for storing</i> | +CPMS: 3, 10, 3, 99, 3, 10<br><br>OK                                                                                                                                                                       |
| <b>AT+CPMS?</b><br><br><i>Note: Read</i>                                                                     | +CPMS: "SM", 3, 10, "ME", 3, 99, "SM", 3, 10<br><br>OK<br><br><i>Note: Read, store, SMS from/to flash, write SMS to flash. 3 SMS are stored in flash. 99 is the total number available in flash memory</i> |
|                                                                                                              | +CMTI: "SM", 4<br><br><i>Note: Receive an SMS stored at location 4 in SIM</i>                                                                                                                              |
| <b>AT+CPMS="ME", "ME", "ME"</b><br><br><i>Note: Select ME for reading, ME for writing and ME for storing</i> | +CPMS: 3, 99, 3, 99, 3, 99<br><br>OK                                                                                                                                                                       |
| <b>AT+CPMS?</b><br><br><i>Note: Read</i>                                                                     | +CPMS: "ME", 3, 99, "ME", 3, 99, "ME", 3, 99<br><br>OK<br><br><i>Note: Read, write, store SMS from/to flash. 3 SMS are stored in flash. 99 is the total number available in flash memory</i>               |
|                                                                                                              | +CMTI: "ME", 4<br><br><i>Note: Receive an SMS stored at location 4 in flash memory</i>                                                                                                                     |
| <b>AT+CPMS="AM"</b><br><br><i>Note: Select an incorrect message storage</i>                                  | +CMS ERROR: 302                                                                                                                                                                                            |
| <b>AT+CPMS="SM"</b><br><br><i>Note: Select SM for reading, writing and storing memory are not changed</i>    | +CPMS: 4, 10, 4, 99, 4, 99<br><br>OK                                                                                                                                                                       |

| Command                                  | Responses                                                                                                            |
|------------------------------------------|----------------------------------------------------------------------------------------------------------------------|
| <b>AT+CPMS?</b><br><br><i>Note: Read</i> | +CPMS: "SM", 4, 10, "ME", 4, 99, "ME", 4, 99<br>OK<br><i>Note: Read SMS from SIM; write, store SMS from/to flash</i> |

### 17.5.6. Notes

When <mem1> is selected, all the following +CMGL, +CMGR and +CMGD commands are related to the type of SMS stored in this memory.

The maximum number of SMS in flash is 99.

When the embedded module is switched on, <mem1>, <mem2> and <mem3> are initialized to SM.

## 17.6. Service Center Address +CSCA



### 17.6.1. Description

This command is used to indicate to which service center the message must be sent.

The product has no default value for this address. If the application tries to send a message without having indicated the service center address, an error will be generated.

Therefore, the application must indicate the SC address when initializing the SMS. This address is then permanently valid. The application may change it if necessary.

### 17.6.2. Syntax

#### *Action command*

```
AT+CSCA=<sca> [ ,<tosca>]
```

OK

#### *Read command*

```
AT+CSCA?
```

```
+CSCA: <sca> [ ,<tosca>]
```

OK

#### *Test command*

None

### 17.6.3. Parameters and Defined Values

|                     |                        |
|---------------------|------------------------|
| <b>&lt;sca&gt;:</b> | service center address |
|---------------------|------------------------|

|                       |                                                                                                                                                                                                                  |
|-----------------------|------------------------------------------------------------------------------------------------------------------------------------------------------------------------------------------------------------------|
| <b>&lt;tosca&gt;:</b> | type of address for <sca>; when the first character of the <sca> parameter is "+", the <tosca> value is set to 145, otherwise the default value is 129 (refer GSM 04.08 subclause 10.5.4.7 <a href="#">[6]</a> ) |
| 129                   | ISDN / telephony numbering plan, national / international unknown                                                                                                                                                |
| 145                   | ISDN / telephony numbering plan, international number                                                                                                                                                            |
| 161                   | ISDN / telephony numbering plan, national number                                                                                                                                                                 |
| 128-255               | other values (refer GSM 04.08 section 10.5.4.7 <a href="#">[6]</a> )                                                                                                                                             |

## 17.6.4. Parameter Storage

The <sca> parameter is stored in EEPROM using the CSAS command.

## 17.6.5. Examples

| Command                                                                   | Responses                     |
|---------------------------------------------------------------------------|-------------------------------|
| <b>AT+CSCA="0696741234"</b><br><i>Note: Service center initialization</i> | OK                            |
| <b>AT+CSCA?</b>                                                           | +CSCA: "0696741234",129<br>OK |
| <b>AT+CSCA="0696745678",161</b>                                           | OK                            |
| <b>AT+CSCA?</b>                                                           | +CSCA: "0696745678",161<br>OK |

## 17.7. Show Text Mode Parameters +CSDH



### 17.7.1. Description

This command gives additional information on text mode result codes. This information can be found in the description of the +CMT, +CMGR, +CMGL commands and responses.

### 17.7.2. Syntax

#### *Action command*

**AT+CSDH=<n>**

OK

#### *Read command*

**AT+CSDH?**

+CSDH: <n>

OK

#### *Test command*

**AT+CSDH=?**

+CSDH: (list of supported <n>s)

OK

### 17.7.3. Parameters and Defined Values

|                   |                                           |
|-------------------|-------------------------------------------|
| <b>&lt;n&gt;:</b> | show text mode                            |
| 0                 | do not show header values (default value) |
| 1                 | show the values in result codes           |

### 17.7.4. Parameter Storage

The <n> parameter is stored in EEPROM using the AT&W command. The default value can be restored using AT&F.

## 17.7.5. Examples

| Command                                                     | Responses                                                |
|-------------------------------------------------------------|----------------------------------------------------------|
| <b>AT+CSDH=0</b><br><i>Note: Set value to "do not show"</i> | OK                                                       |
| <b>AT+CSDH?</b><br><i>Note: Current value</i>               | +CSDH: 0<br>OK<br><i>Note: Do not show header values</i> |
| <b>AT+CSDH=?</b>                                            | +CSDH: (0,1)<br>OK                                       |



## 17.8. More Messages to Send +CMMS



### 17.8.1. Description

This command enables the user to keep the link opened while sending several short messages within a short delay.

### 17.8.2. Syntax

*Action command*

```
AT+CMMS=<mode>
```

```
OK
```

*Read command*

```
AT+CMMS
```

```
+CMMS: <mode>
```

```
OK
```

*Test command*

```
AT+CMMS=?
```

```
+CMMS: (list of supported <mode>s)
```

```
OK
```

### 17.8.3. Parameters and Defined Values

|                      |                                                                                                                                                                                   |
|----------------------|-----------------------------------------------------------------------------------------------------------------------------------------------------------------------------------|
| <b>&lt;mode&gt;:</b> | operating mode                                                                                                                                                                    |
| 0                    | disable feature                                                                                                                                                                   |
| 1                    | keeps link opened while messages are sent<br>If the delay between two messages exceeds 5 seconds, the link is closed and the mode is reset to 0: the feature is disabled.         |
| 2                    | keeps link opened while messages are sent<br>If the delay between two messages exceeds 5 seconds, the link is closed but the mode remains set to 2: the feature is still enabled. |

### 17.8.4. Parameter Storage

None.

### 17.8.5. Examples

| Command          | Responses                                           |
|------------------|-----------------------------------------------------|
| <b>AT+CMMS=?</b> | +CMMS: (0-2)<br>OK                                  |
| <b>AT+CMMS=2</b> | OK<br><i>Note: Feature is enabled, link is open</i> |
| <b>AT+CMMS?</b>  | +CMMS: 2<br>OK                                      |

### 17.8.6. Notes

- The delay of 5 seconds complies with Recommendation 3GPP TS 27.005 [19].
- Before sending the last SMS in the link, use AT+CMMS=0 command. This command will indicate that the next SMS will be the last one.

## 17.9. Send Message +CMGS



### 17.9.1. Description

This command allows the user application to send short messages to the network. The text can contain all existing characters except <ctrl-Z> and <ESC> (ASCII 27). This command can be aborted using the <ESC> character when entering text.

In PDU mode, only hexadecimal characters are used ("0"... "9", "A"... "F").

### 17.9.2. Syntax

- In text mode:

*Action command*

```
AT+CMGS=<da>[,<toda>]<CR>
> "text to be sent <Ctrl-Z>"
+CMGS: <mr>
OK
```

- In PDU mode :

*Action command*

```
AT+CMGS=<length><CR>
> "PDU to be sent <Ctrl-Z>"
+CMGS: <mr>
OK
```

*Read command*

None

*Test command*

None

### 17.9.3. Parameters and Defined Values

|                        |                                                                                                                          |
|------------------------|--------------------------------------------------------------------------------------------------------------------------|
| <b>&lt;da&gt;:</b>     | destination address<br>string type                                                                                       |
| <b>&lt;tda&gt;:</b>    | type of address for the da parameter                                                                                     |
| <b>&lt;length&gt;:</b> | text mode (AT+CMGF=1): number of characters<br>PDU mode (AT+CMGF=0): length of the TP data unit in bytes<br>integer type |
| <b>&lt;mr&gt;:</b>     | message reference<br>integer type                                                                                        |

### 17.9.4. Parameter Storage

None.

### 17.9.5. Examples

| Command                                                                                      | Responses                                                  |
|----------------------------------------------------------------------------------------------|------------------------------------------------------------|
| <b>AT+CMGS="+33146290800"&lt;CR&gt;</b>                                                      | >                                                          |
| <b>Please call me soon, Fred. &lt;ctrl-Z&gt;</b><br><i>Note: Send a message in text mode</i> |                                                            |
|                                                                                              | +CMGS: <250><br>OK<br><i>Note: Successful transmission</i> |
| <b>AT+CMGS=&lt;length&gt;&lt;CR&gt;</b><br><i>Note: Send a message in PDU mode (1/3)</i>     | >                                                          |
| <b>&lt;pdu&gt;</b><br><i>Note: Enter message in PDU mode (2/3)</i>                           |                                                            |
| <b>&lt;ctrl-Z&gt;</b><br><i>Note: End the message (3/3)</i>                                  | +CMGS: <251><br>OK<br><i>Note: Successful transmission</i> |

## **17.9.6. Notes**

The message reference, <mr>, which is returned to the application is allocated by the product. This number begins with 0 and is incremented by one for each outgoing message (successful and failure cases); it is cyclic on one byte (0 follows 255).

This number is not a storage number – outgoing messages are not stored.

## 17.10. Write Message to Memory +CMGW



### 17.10.1. Description

This command stores a message in memory (either SMS-SUBMIT or SMS-DELIVERS). The memory location <index> is returned (no choice possible as with phonebooks +CPBW).

The SMS can be entered in text mode or in PDU mode as described for the Send Message +CMGS command.

### 17.10.2. Syntax

Depending on the mode, two syntax commands are available.

- In text mode:

*Action command*

```
AT+CMGW=<oa/da>[,<tooa/toda>[,<stat>]]<CR>
```

```
> enter text <ctrl-Z / ESC>
```

```
OK
```

- In PDU mode:

*Action command*

```
AT+CMGW=<length>[,<stat>]<CR>
```

```
> give PDU <ctrl-Z / ESC>
```

```
OK
```

*Read command*

```
None
```

*Test command*

```
None
```

### 17.10.3. Parameters and Defined Values

|                        |                                                                                                                                                                                                                                         |
|------------------------|-----------------------------------------------------------------------------------------------------------------------------------------------------------------------------------------------------------------------------------------|
| <b>&lt;oa/da&gt;:</b>  | originating or destination Address Value<br>string format.                                                                                                                                                                              |
| <b>&lt;toda&gt;:</b>   | type of destination address for the <da> parameter; when the first character of the <da> parameter is "+", the <toda> value is set to 145, otherwise the default value is 129 (refer GSM 04.08 subclause 10.5.4.7 <a href="#">[6]</a> ) |
| 129                    | ISDN / telephony numbering plan, national / international unknown                                                                                                                                                                       |
| 145                    | ISDN / telephony numbering plan, international number                                                                                                                                                                                   |
| 161                    | ISDN / telephony numbering plan, national number                                                                                                                                                                                        |
| 128-255                | other values (refer GSM 04.08 section 10.5.4.7 <a href="#">[6]</a> )                                                                                                                                                                    |
| <b>&lt;tooa&gt;:</b>   | type of originating address for the <oa> parameter; when the first character of <oa> is "+", the <toa> value is set to 145, otherwise the default is 129 (refer GSM 04.08 subclause 10.5.4.7 <a href="#">[6]</a> )                      |
| 129                    | ISDN / telephony numbering plan, national / international unknown                                                                                                                                                                       |
| 145                    | ISDN / telephony numbering plan, international number                                                                                                                                                                                   |
| 161                    | ISDN / telephony numbering plan, national number                                                                                                                                                                                        |
| 128-255                | other values (refer GSM 04.08 section 10.5.4.7 <a href="#">[6]</a> )                                                                                                                                                                    |
| <b>&lt;stat&gt;:</b>   | status of messages in memory (PDU mode)                                                                                                                                                                                                 |
| 0                      | received unread messages                                                                                                                                                                                                                |
| 1                      | received read messages                                                                                                                                                                                                                  |
| 2                      | stored unsent messages                                                                                                                                                                                                                  |
| 3                      | stored sent messages                                                                                                                                                                                                                    |
| <b>&lt;stat&gt;:</b>   | status of message in memory (text mode)                                                                                                                                                                                                 |
| "REC UNREAD"           | received unread messages                                                                                                                                                                                                                |
| "REC READ"             | received read messages                                                                                                                                                                                                                  |
| "STO UNSENT"           | stored unsent messages (default if omitted)                                                                                                                                                                                             |
| "STO SENT"             | stored sent messages                                                                                                                                                                                                                    |
| <b>&lt;length&gt;:</b> | length of the actual data unit in bytes<br>integer type                                                                                                                                                                                 |

## 17.10.4. Parameter Storage

None.

## 17.10.5. Examples

| Command                                                                                                    | Responses                                                                                 |
|------------------------------------------------------------------------------------------------------------|-------------------------------------------------------------------------------------------|
| <code>AT+CMGW="+33146290800"&lt;CR&gt;</code>                                                              | >                                                                                         |
| <p>Hello how are you ?&lt;ctrl-Z&gt;</p> <p><i>Note: Write a message in text mode</i></p>                  |                                                                                           |
|                                                                                                            | <p>+CMGW: 4</p> <p>OK</p> <p><i>Note: Message stored in index 4</i></p>                   |
| <p><code>AT+CMGW=&lt;length&gt;&lt;CR&gt;</code></p> <p><i>Note: Write a message in PDU mode (1/3)</i></p> | >                                                                                         |
| <p>&lt;pdu&gt;</p> <p><i>Note: Enter message in PDU mode (2/3)</i></p>                                     |                                                                                           |
| <p>&lt;ctrl-Z&gt;</p> <p><i>Note: End the message (3/3)</i></p>                                            | <p>+CMGW: &lt;index&gt;</p> <p>OK</p> <p><i>Note: Message stored in &lt;index&gt;</i></p> |



## 17.11. Send Message From Storage +CMSS



### 17.11.1. Description

This command sends a message stored at a specific location from preferred message storage <mem2> (defined by the +CPMS command) to the network.

### 17.11.2. Syntax

*Action command*

```
AT+CMSS=<index>[,<da>[,<toda>]]
```

```
+CMSS: <mr>
```

```
OK
```

*Read command*

```
None
```

*Test command*

```
None
```

### 17.11.3. Parameters and Defined Values

|                       |                                                                                                                                                                                                           |
|-----------------------|-----------------------------------------------------------------------------------------------------------------------------------------------------------------------------------------------------------|
| <b>&lt;da&gt;:</b>    | destination address, coded like GSM 03.40 [4]TP-DA                                                                                                                                                        |
| <b>&lt;index&gt;:</b> | place of storage in memory                                                                                                                                                                                |
| <b>&lt;tda&gt;:</b>   | type of address for the <da> parameter; when the first character of the <da> parameter is "+", the <tda> value is set to 145, otherwise the default value is 129 (refer GSM 04.08 subclause 10.5.4.7 [6]) |
| 129                   | ISDN / telephony numbering plan, national / international unknown                                                                                                                                         |
| 145                   | ISDN / telephony numbering plan, international number                                                                                                                                                     |
| 161                   | ISDN / telephony numbering plan, national number                                                                                                                                                          |
| 128-255               | other values (refer GSM 04.08 section 10.5.4.7 [6])                                                                                                                                                       |
| <b>&lt;mr&gt;:</b>    | message reference<br>integer type                                                                                                                                                                         |

### 17.11.4. Parameter Storage

None.

### 17.11.5. Examples

| Command                                                                                              | Responses                                                  |
|------------------------------------------------------------------------------------------------------|------------------------------------------------------------|
| <b>AT+CMGW=0660123456</b>                                                                            | >                                                          |
| <b>Today is my birthday &lt;ctrl-Z&gt;</b>                                                           |                                                            |
|                                                                                                      | +CMGW: 5<br>OK<br><i>Note: Message stored with index 5</i> |
| <b>AT+CMSS=5,0680654321</b><br><br><i>Note: Send the message 5 to a different destination number</i> | +CMSS: <157><br>OK<br><i>Note: Successful transmission</i> |

## 17.12. Read Message +CMGR



### 17.12.1. Description

This command allows the application to read stored messages. The messages are read from the memory selected by the +CPMS command.

### 17.12.2. Syntax

Depending on the mode, several responses are possible.

- For SMS-DELIVER and text mode:

*Action command*  
**AT+CMGR=<index>**  
 +CMGR:  
 <stat>,<oa>,[<alpha>],<scts>[,<tooa>,<fo>,<pid>,<dcsc>,<sca>,<tosca>,<length>]  
 <data>  
 OK

- For SMS-SUBMIT and text mode:

*Action command*  
**AT+CMGR=<index>**  
 +CMGR:  
 <stat>,<da>,[<alpha>][,<toda>,<fo>,<pid>,<dcsc>,[<vp>],<sca>,<tosca>,<length>]  
 <data>  
 OK

- For SMS-STATUS-REPORT and text mode:

*Action command*  
**AT+CMGR=<index>**  
 +CMGR: <stat>,<fo>,<mr>,[<ra>],[<tora>],<scts>,<dt>,<st>  
 OK

- For PDU mode:

*Action command*  
**AT+CMGR=<index>**  
 +CMGR: <stat>,[<alpha>],<length>  
 <pdu>  
 OK

*Read command*

None

*Test command*

**AT+CMGR=?**

OK

### 17.12.3. Parameters and Defined Values

|                      |                                                                                                                                                             |
|----------------------|-------------------------------------------------------------------------------------------------------------------------------------------------------------|
| <b>&lt;da&gt;:</b>   | destination address<br>string type                                                                                                                          |
| <b>&lt;tda&gt;:</b>  | type of address for the <da>.parameter                                                                                                                      |
| 129                  | ISDN / telephony numbering plan, national / international unknown                                                                                           |
| 145                  | ISDN / telephony numbering plan, international number                                                                                                       |
| 161                  | ISDN / telephony numbering plan, national number                                                                                                            |
| 128-255              | other values (refer GSM 04.08 section 10.5.4.7 <a href="#">[6]</a> )                                                                                        |
| <b>&lt;dcs&gt;:</b>  | data coding scheme, coded like in document <a href="#">[5]</a><br>integer type                                                                              |
| <b>&lt;dt&gt;:</b>   | discharge time<br>string format: "yy/MM/dd,hh:mm:ss±zz"(Year [00-99], Month [01-12], Day [01-31], Hour, Minute, Second and Time Zone [quarters of an hour]) |
| <b>&lt;oa&gt;:</b>   | originator address<br>string type                                                                                                                           |
| <b>&lt;toa&gt;:</b>  | type of address for the <oa> parameter                                                                                                                      |
| 129                  | ISDN / telephony numbering plan, national / international unknown                                                                                           |
| 145                  | ISDN / telephony numbering plan, international number                                                                                                       |
| 161                  | ISDN / telephony numbering plan, national number                                                                                                            |
| 128-255              | other values (refer GSM 04.08 section 10.5.4.7 <a href="#">[6]</a> )                                                                                        |
| <b>&lt;scts&gt;:</b> | service center timestamp<br>string format: "yy/MM/dd,hh:mm:ss±zz"<br>(Year/Month/Day,Hour:Min:Seconds±TimeZone)                                             |
| <b>&lt;fo&gt;:</b>   | first byte of SMS-DELIVER, SMS-SUBMIT or SMS-STATUS-REPORT, for further information refer to document <a href="#">[1]</a><br>integer type                   |

|                         |                                                                                                                          |
|-------------------------|--------------------------------------------------------------------------------------------------------------------------|
| <b>&lt;pid&gt;</b> :    | protocol identifier<br>integer type                                                                                      |
| <b>&lt;index&gt;</b> :  | place of storage in memory<br>integer type                                                                               |
| <b>&lt;length&gt;</b> : | text mode (AT+CMGF=1): number of characters<br>PDU mode (AT+CMGF=0): length of the TP data unit in bytes<br>integer type |
| <b>&lt;mr&gt;</b> :     | message reference<br>integer type                                                                                        |
| <b>&lt;pdu&gt;</b> :    | SMS user data in PDU mode<br>string type (hexadecimal format)                                                            |
| <b>&lt;ra&gt;</b> :     | recipient address<br>string type                                                                                         |
| <b>&lt;sca&gt;</b> :    | service center address<br>string type                                                                                    |
| <b>&lt;st&gt;</b> :     | status of a SMS-STATUS-REPORT<br>integer type                                                                            |
| <b>&lt;stat&gt;</b> :   | status of message in memory (PDU mode)                                                                                   |
|                         | 0 received unread messages                                                                                               |
|                         | 1 received read messages                                                                                                 |
|                         | 2 stored unsent messages                                                                                                 |
|                         | 3 stored sent messages                                                                                                   |
| <b>&lt;stat&gt;</b> :   | status of message in memory (text mode)                                                                                  |
|                         | "REC UNREAD" received unread messages                                                                                    |
|                         | "REC READ" received read messages                                                                                        |
|                         | "STO UNSENT" stored unsent messages                                                                                      |
|                         | "STO SENT" stored sent messages                                                                                          |
| <b>&lt;tora&gt;</b> :   | type of address for the <ra> parameter                                                                                   |
|                         | 129 ISDN / telephony numbering plan, national / international unknown                                                    |
|                         | 145 ISDN / telephony numbering plan, international number                                                                |
|                         | 161 ISDN / telephony numbering plan, national number                                                                     |
|                         | 128-255 other values (refer GSM 04.08 section 10.5.4.7 <a href="#">[6]</a> )                                             |

|                       |                                                                                                                                                     |
|-----------------------|-----------------------------------------------------------------------------------------------------------------------------------------------------|
| <b>&lt;tosca&gt;:</b> | type of address for the <sca> parameter                                                                                                             |
| 129                   | ISDN / telephony numbering plan, national / international unknown                                                                                   |
| 145                   | ISDN / telephony numbering plan, international number                                                                                               |
| 161                   | ISDN / telephony numbering plan, national number                                                                                                    |
| 128-255               | other values (refer GSM 04.08 section 10.5.4.7 <a href="#">[6]</a> )                                                                                |
| <b>&lt;alpha&gt;:</b> | associated phonebook name<br>string type                                                                                                            |
| <b>&lt;data&gt;:</b>  | SMS user data in text mode<br>string type                                                                                                           |
| <b>&lt;vp&gt;:</b>    | validity period<br>In text mode, the validity period is only coded in "relative" format.<br>This means that one byte can describe different values. |
| 0 to 143              | (VP + 1) x 5 minutes (up to 12 hours)                                                                                                               |
| 144 to 167            | 12 hours + ( (VP – 143) x 30 minutes )                                                                                                              |
| 168 to 196            | (VP – 166) x 1 day                                                                                                                                  |
| 197 to 255            | (VP – 192) x 1 week                                                                                                                                 |

## 17.12.4. Parameter Storage

None.

## 17.12.5. Examples

| Command                                                 | Responses                                                                                                         |
|---------------------------------------------------------|-------------------------------------------------------------------------------------------------------------------|
|                                                         | +CMTI: "SM",1<br><i>Note: New message received</i>                                                                |
| <b>AT+CMGR=1</b><br><i>Note: Read the message</i>       | +CMGR: "REC<br>UNREAD", "0146290800", "98/10/01,18:22:11+00"<br>ABCdefGHI<br>OK                                   |
| <b>AT+CMGR=1</b><br><i>Note: Read the message again</i> | +CMGR: "REC<br>READ", "0146290800", "98/10/01,18:22:11+00"<br>ABCdefGHI<br>OK<br><i>Note: Message is read now</i> |

| Command                                                                                                                                                                          | Responses                                                                                                                                                                  |
|----------------------------------------------------------------------------------------------------------------------------------------------------------------------------------|----------------------------------------------------------------------------------------------------------------------------------------------------------------------------|
| <b>AT+CMGR=2</b>                                                                                                                                                                 | OK<br><i>Note: Location empty</i>                                                                                                                                          |
| <b>AT+CMGF=0 ;+CMGR=1</b><br><br><i>Note: In PDU mode</i>                                                                                                                        | +CMGR: 2,,26<br><br>07913366003000F3040B913366920547F4001300119041<br>2530400741AA8E5A9C5201<br><br>OK<br><i>Note: Message is stored but unsent, no &lt;alpha&gt;field</i> |
| <b>AT+CMGF=1 ;+CPMS="SR" ;+CNMI=,,2</b><br><br><i>Note: Reset to text mode, set read memory to "SR",<br/>and allow storage of further SMS Status Report into<br/>"SR" memory</i> | OK                                                                                                                                                                         |
| <b>AT+CMSS=3</b><br><br><i>Note: Send an SMS previously stored</i>                                                                                                               | +CMSS: 160<br><br>OK                                                                                                                                                       |
|                                                                                                                                                                                  | +CDSI: "SR",1<br><br><i>Note: New SMS Status Report stored in "SR" memory at index 1</i>                                                                                   |
| <b>AT+CMGR=1</b><br><br><i>Note: Read the SMS Status Report</i>                                                                                                                  | +CMGR: "REC<br>UNREAD",6,160,"+33612345678",129,"01/05/31,15:<br>15:09+00","01/05/31,15:15:09+00",0<br><br>OK                                                              |

## 17.13. List Message +CMGL



### 17.13.1. Description

This command allows the application to read stored messages by indicating the type of the message to be read. The messages are read from the memory selected by the +CPMS command.

### 17.13.2. Syntax

Depending on the mode, several responses are possible.

- For SMS-DELIVER or SMS-SUBMIT and text mode

*Action command*

**AT+CMGL=<stat>**

+CMGL: <index>,<stat>,<da/oa>,[<alpha>],[<scts>,<tooa/toda>,<length>]

<data>

[+CMGL: <index>,<stat>,<da/oa>,[<alpha>],[<scts>,<tooa/toda>,<length>]

<data> [...]

OK

- For SMS-STATUS-REPORT and text mode

*Action command*

**AT+CMGL=<stat>**

+CMGL: <index>,<stat>,<fo>,<mr>,[<ra>],[<tora>],<scts>,<dt>,<st>

[+CMGL: <index>,<stat>,<fo>,<mr>,[<ra>],[<tora>],<scts>,<dt>,<st> [...]

OK

- For PDU mode

*Action command*

**AT+CMGL=<stat>**

+CMGL: <index>,<stat>,[<alpha>],<length>

<pdu>

[+CMGL: <index>,<stat>,[<alpha>],<length>

<pdu> [...]

OK



*Read command*

**AT+CMGL?**

ERROR

*Test command*

**AT+CMGL=?**

+CMGL: ("REC UNREAD", "REC READ", "STO UNSENT", "STO SENT", "ALL")

OK

### 17.13.3. Parameters and Defined Values

|                       |                                                                                                                                                             |
|-----------------------|-------------------------------------------------------------------------------------------------------------------------------------------------------------|
| <b>&lt;da&gt;</b> :   | destination address<br>string type                                                                                                                          |
| <b>&lt;tda&gt;</b> :  | type of address for the <da> parameter                                                                                                                      |
| 129                   | ISDN / telephony numbering plan, national / international unknown                                                                                           |
| 145                   | ISDN / telephony numbering plan, international number                                                                                                       |
| 161                   | ISDN / telephony numbering plan, national number                                                                                                            |
| 128-255               | other values (refer GSM 04.08 section 10.5.4.7 <a href="#">[6]</a> )                                                                                        |
| <b>&lt;dt&gt;</b> :   | discharge time<br>string format: "yy/MM/dd,hh:mm:ss±zz"(Year [00-99], Month [01-12], Day [01-31], Hour, Minute, Second and Time Zone [quarters of an hour]) |
| <b>&lt;oa&gt;</b> :   | originator address<br>string type                                                                                                                           |
| <b>&lt;toa&gt;</b> :  | type of address for the <oa> parameter                                                                                                                      |
| 129                   | ISDN / telephony numbering plan, national / international unknown                                                                                           |
| 145                   | ISDN / telephony numbering plan, international number                                                                                                       |
| 161                   | ISDN / telephony numbering plan, national number                                                                                                            |
| 128-255               | other values (refer GSM 04.08 section 10.5.4.7 <a href="#">[6]</a> )                                                                                        |
| <b>&lt;scts&gt;</b> : | service center timestamp<br>string format: "yy/MM/dd,hh:mm:ss±zz"<br>(Year/Month/Day,Hour:Min:Seconds±TimeZone)                                             |
| <b>&lt;fo&gt;</b> :   | first byte of SMS-DELIVER, SMS-SUBMIT or SMS-STATUS-REPORT, for further information refer to document <a href="#">[1]</a><br>integer type                   |

|                         |                                                                                                                          |
|-------------------------|--------------------------------------------------------------------------------------------------------------------------|
| <b>&lt;pid&gt;</b> :    | protocol identifier<br>integer type                                                                                      |
| <b>&lt;index&gt;</b> :  | storage index in memory area<br>integer type                                                                             |
| <b>&lt;length&gt;</b> : | text mode (AT+CMGF=1): number of characters<br>PDU mode (AT+CMGF=0): length of the TP data unit in bytes<br>integer type |
| <b>&lt;mr&gt;</b> :     | message reference<br>integer type                                                                                        |
| <b>&lt;ra&gt;</b> :     | recipient address<br>string type                                                                                         |
| <b>&lt;sca&gt;</b> :    | service center address<br>string type                                                                                    |
| <b>&lt;st&gt;</b> :     | status of a SMS-STATUS-REPORT<br>integer type                                                                            |
| <b>&lt;stat&gt;</b> :   | status of messages in memory (PDU mode)                                                                                  |
|                         | 0 received unread messages                                                                                               |
|                         | 1 received read messages                                                                                                 |
|                         | 2 stored unsent messages                                                                                                 |
|                         | 3 stored sent messages                                                                                                   |
| <b>&lt;stat&gt;</b> :   | status of messages in memory (text mode)                                                                                 |
|                         | "REC UNREAD" received unread messages                                                                                    |
|                         | "REC READ" received read messages                                                                                        |
|                         | "STO UNSENT" stored unsent messages                                                                                      |
|                         | "STO SENT" stored sent messages                                                                                          |
| <b>&lt;tora&gt;</b> :   | type of address for the <ra> parameter                                                                                   |
|                         | 129 ISDN / telephony numbering plan, national / international unknown                                                    |
|                         | 145 ISDN / telephony numbering plan, international number                                                                |
|                         | 161 ISDN / telephony numbering plan, national number                                                                     |
|                         | 128-255 other values (refer GSM 04.08 section 10.5.4.7 <a href="#">[6]</a> )                                             |
| <b>&lt;alpha&gt;</b> :  | associated phonebook name<br>string type                                                                                 |

## 17.13.4. Parameter Storage

None.

## 17.13.5. Examples

| Command                                                                              | Responses                                                                                                                                                                                                                           |
|--------------------------------------------------------------------------------------|-------------------------------------------------------------------------------------------------------------------------------------------------------------------------------------------------------------------------------------|
| <b>AT+CMGL="REC UNREAD"</b><br><br><i>Note: List unread messages in text mode</i>    | +CMGL: 1,"REC UNREAD","0146290800",,<br>I will be late<br>+CMGL: 3,"REC UNREAD","46290800",,<br>See you tonight !<br>OK<br><br><i>Note: 2 messages are unread, these messages will then have their status changed to "REC READ"</i> |
| <b>AT+CMGL="REC READ"</b><br><br><i>Note: List read messages in text mode</i>        | +CMGL: 1,"REC READ","0146290800",,<br>I will be late<br>+CMGL: 2,"REC READ","0146290800",,<br>Keep cool<br>+CMGL: 3,"REC READ","46290800",,<br>See you tonight!<br>OK                                                               |
| <b>AT+CMGL="STO SENT"</b><br><i>Note: List stored and sent messages in text mode</i> | OK<br><i>Note: No message found</i>                                                                                                                                                                                                 |
| <b>AT+CMGL=1</b><br><br><i>Note: List read messages in PDU mode</i>                  | +CMGL: 1,1,,26<br>07913366003000F3040B913366920547F400130011904125<br>30400741AA8E5A9C5201<br><br>OK                                                                                                                                |

## 17.13.6. Notes

For SMS status reports, only "ALL" / 4 and "READ" / 1 values of the <stat> parameter will list messages; other values will only return OK.

## 17.14. Delete Message +CMGD



### 17.14.1. Description

This command is used to delete one or several messages from preferred message storage ("BM" SMS-CB "RAM storage", "SM" SMSPP storage "SIM storage" or "SR" SMS Status-Report storage).

Refer also to +CPMS command.

### 17.14.2. Syntax

*Action command*

**AT+CMGD=<index>[,<DelFlag>]**

OK

*Read command*

None

*Test command*

None

### 17.14.3. Parameters and Defined Values

|                       |                                                                                      |
|-----------------------|--------------------------------------------------------------------------------------|
| <b>&lt;index&gt;:</b> | Index of the message to be deleted<br>(If <DelFlag> = 0)                             |
| 1-20                  | if the preferred message storage is "BM"<br>If <DelFlag> is > 0, <index> is ignored. |
| SIM values            | If the preferred message storage is "SM" or "SR".                                    |

|                         |                                                                                                            |
|-------------------------|------------------------------------------------------------------------------------------------------------|
| <b>&lt;DelFlag&gt;:</b> | message deletion mode                                                                                      |
| 0                       | delete message at location <index> (default value )<br>If <DelFlag> is omitted, the default value is used. |
| 1                       | delete all READ messages                                                                                   |
| 2                       | delete all READ and SENT messages                                                                          |
| 3                       | delete all READ, SENT and UNSENT messages                                                                  |
| 4                       | delete all messages                                                                                        |

## 17.14.4. Parameter Storage

None.

## 17.14.5. Examples

| Command                                      | Responses                                                                                                                                                                                          |
|----------------------------------------------|----------------------------------------------------------------------------------------------------------------------------------------------------------------------------------------------------|
|                                              | +CMTI: "SM", 3<br><i>Note: New message received</i>                                                                                                                                                |
| <b>AT+CMGR=3</b><br><br><i>Note: Read it</i> | +CMGR: "REC<br>UNREAD", "0146290800", "98/10/01,18:19:20+00"<CR><LF><br><i>Note: Message received!</i><br><br><i>Note: Unread message received from 0146290800 on the 10/01/1998 at 18H19m 20s</i> |
| <b>AT+CMGD=3</b><br><i>Note: Delete it</i>   | OK<br><i>Note: Message deleted</i>                                                                                                                                                                 |
| <b>AT+CMGD=1, 0</b>                          | OK<br><i>Note: The message from the preferred message storage at the location 1 is deleted</i>                                                                                                     |
| <b>AT+CMGD=1, 1</b>                          | OK<br><i>Note: All READ messages from the preferred message storage are deleted</i>                                                                                                                |
| <b>AT+CMGD=1, 2</b>                          | OK<br><i>Note: All READ messages and SENT mobile originated messages are deleted</i>                                                                                                               |
| <b>AT+CMGD=1, 3</b>                          | OK<br><i>Note: All READ, SENT and UNSENT messages are deleted</i>                                                                                                                                  |
| <b>AT+CMGD=1, 4</b>                          | OK<br><i>Note: All messages are deleted</i>                                                                                                                                                        |

## 17.14.6. Notes

When the preferred message storage is "SR", as SMS status reports are assumed to have a "READ" status, if <DelFlag> is greater than 0, all SMS status reports will be deleted.

## 17.15. New Message Acknowledgement +CNMA



### 17.15.1. Description

This command enables the acknowledgement of the reception of a new message routed directly to the TE.

- In TEXT mode, only positive acknowledgement to the network (RP-ACK) is possible.
- In PDU mode, either positive (RP-ACK) or negative (RP-ERR) acknowledgement to the network is possible.

Acknowledge with +CNMA is possible only if the +CSMS parameter is set to 1 (AT+CSMS=1) when a +CMT or +CDS indication is shown (see [+CNMI](#) command).

If no acknowledgement is given within the network timeout, an RP-ERR is sent to the network, the <mt> and <ds> parameters of the +CNMI command are then reset to zero (do not show new message indication).

### 17.15.2. Syntax

Depending on the mode, two syntaxes are available:

- text mode

*Action command*

```
AT+CNMA
```

```
OK
```

- PDU mode

*Action command*

```
AT+CNMA[=<n>[,<length>[<CR> PDU is entered <ctrl-Z/ESC>]]]
```

```
OK
```

*Read command*

```
AT+CNMA?
```

```
OK
```

*Test command*

```
AT+CNMA=?
```

```
OK
```

### 17.15.3. Parameters and Defined Values

|                        |                                                                                                                         |
|------------------------|-------------------------------------------------------------------------------------------------------------------------|
| <b>&lt;n&gt;:</b>      | type of acknowledgement in PDU mode                                                                                     |
| 0                      | send RP-ACK without PDU (same as TEXT mode)                                                                             |
| 1                      | send RP-ACK with optional PDU message                                                                                   |
| 2                      | send RP-ERR with optional PDU message                                                                                   |
| <b>&lt;length&gt;:</b> | length of the PDU message<br>Please refer to GSM 03.40 Recommendation [4] for other PDU negative acknowledgement codes. |

### 17.15.4. Parameter Storage

None.

### 17.15.5. Examples

Example of acknowledgement of a new message in TEXT mode:

| Command                                                                                          | Responses                                                                                                                |
|--------------------------------------------------------------------------------------------------|--------------------------------------------------------------------------------------------------------------------------|
| <b>AT+CSMS=1</b><br><i>Note: SMS AT commands compatible with GSM 07.05 Phase 2 + version [1]</i> | OK                                                                                                                       |
| <b>AT+CMGF=1</b><br><i>Note: Set TEXT mode</i>                                                   | OK<br><i>Note: TEXT mode valid</i>                                                                                       |
| <b>AT+CNMI=2,2,0,0,0</b><br><i>Note: &lt;mt&gt;=2</i>                                            | OK                                                                                                                       |
|                                                                                                  | +CMT: "123456","98/10/01,12:30<br>00+00",129,4,32,240,"15379",129,5<br>Received message<br><i>Note: Message received</i> |
| <b>AT+CNMA</b><br><i>Note: Acknowledge the message received</i>                                  | OK<br><i>Note: Send positive acknowledgement to the network</i>                                                          |
| <b>AT+CNMA</b><br><i>Note: Try to acknowledge again</i>                                          | +CMS ERROR: 340<br><i>Note: No +CNMA acknowledgment expected</i>                                                         |

Example of acknowledgement of a new message in PDU mode:



| Command                                                                                                                          | Responses                                                                                                                   |
|----------------------------------------------------------------------------------------------------------------------------------|-----------------------------------------------------------------------------------------------------------------------------|
| <b>AT+CSMS=1</b><br><i>Note: SMS AT commands compatible with GSM 07.05 Phase 2 + version</i>                                     | OK                                                                                                                          |
| <b>AT+CMGF=0</b><br><i>Note: Set PDU mode</i>                                                                                    | OK<br><i>Note: PDU mode valid</i>                                                                                           |
| <b>AT+CNMI=2,2,0,0,0</b><br><i>Note: &lt;mt&gt;=2</i>                                                                            | OK                                                                                                                          |
|                                                                                                                                  | +CMT:<br>,2907913366003000F1240B913366920547F300000<br>03003419404800B506215D42ECFE7E17319<br><i>Note: Message received</i> |
| <b>AT+CNMA=2,2&lt;CR&gt;&gt;00D3 &lt;Ctrl-Z&gt;</b><br><i>Note: Negative ACK to the SMS. Reason is: memory capacity exceeded</i> | OK                                                                                                                          |

## 17.16. Message Status Modification +WMSC



### 17.16.1. Description

This Sierra Wireless proprietary command allows the manipulation of a message status. The accepted status changes are from READ to NOT READ and vice versa, and from SENT to NOT SENT and vice versa.

### 17.16.2. Syntax

*Action command*

**AT+WMSC=<loc>,<status>**

OK

*Read command*

None

*Test command*

None

### 17.16.3. Parameters and Defined Values

|                      |                                                       |
|----------------------|-------------------------------------------------------|
| <b>&lt;loc&gt;:</b>  | location number of the stored message<br>integer type |
| <b>&lt;stat&gt;:</b> | status of messages in memory (PDU mode)               |
| 0                    | received unread messages                              |
| 1                    | received read messages                                |
| 2                    | stored unsend messages                                |
| 3                    | stored send messages                                  |

|                      |                                             |
|----------------------|---------------------------------------------|
| <b>&lt;stat&gt;:</b> | status of messages in memory (text mode)    |
| "REC UNREAD"         | received unread messages                    |
| "REC READ"           | received read messages                      |
| "STO UNSENT"         | stored unsent messages (default if omitted) |
| "STO SENT"           | stored sent messages                        |

### 17.16.4. Parameter Storage

None.

### 17.16.5. Examples

| Command                 | Responses                                                                                             |
|-------------------------|-------------------------------------------------------------------------------------------------------|
| AT+CMGR=2               | +CMGR: "REC<br>READ", "+336290918", , "99/05/0114:19:44+04"<br><br>Hello All of you !<br><br>OK       |
| AT+WMSC=2, "REC UNREAD" | OK                                                                                                    |
| AT+CMGR=2               | +CMGR: "REC<br>UNREAD", "+336290918", , "99/05/01<br>14:19:44+04"<br><br>Hello All of you !<br><br>OK |

## 17.17. Un-change SMS Status +WUSS



### 17.17.1. Description

This Sierra Wireless proprietary command is used to keep the SMS Status to UNREAD after +CMGR or +CMGL.

### 17.17.2. Syntax

*Action command*

```
AT+WUSS=<mode>
```

OK

*Read command*

```
AT+WUSS?
```

```
+WUSS: <mode>
```

OK

*Test command*

```
AT+WUSS=?
```

```
+WUSS: (list of supported <mode>s)
```

OK

### 17.17.3. Parameters and Defined Values

| <mode>: | SMS status change mode                     |
|---------|--------------------------------------------|
| 1       | the SMS status will not change             |
| 0       | the SMS status will change (default value) |

### 17.17.4. Parameter Storage

The <mode> parameter is stored in EEPROM. The default value can be restored using AT&F.

## 17.17.5. Examples

| Command    | Responses                                                                                                                                                   |
|------------|-------------------------------------------------------------------------------------------------------------------------------------------------------------|
| AT+WUSS=?  | +WUSS: (0-1)<br>OK                                                                                                                                          |
| AT+WUSS=1  | OK                                                                                                                                                          |
|            | +CMTI: "SM",10<br><i>Note: SMS has been received in index 10</i>                                                                                            |
| AT+CMGR=10 | +CMGR: "REC<br>UNREAD", "+33660669023", , "03/02/13,18:36:35+00"<br>Do you want to change state ?<br>OK                                                     |
| AT+CMGR=10 | +CMGR: "REC<br>UNREAD", "+33660669023", , "03/02/13,18:36:35+00"<CR><LF><br>Do you want to change state ?<br>OK<br><i>Note: The state hasn't be updated</i> |
| AT+WUSS=0  | OK                                                                                                                                                          |
|            | +CMTI: "SM",11<br><i>Note: SMS has been received in index 11</i>                                                                                            |
| AT+CMGR=11 | +CMGR: "REC<br>UNREAD", "+33660669023", , "03/02/13,18:56:55+00"<br>It is me again.<br>OK                                                                   |
| AT+CMGR=11 | +CMGR: "REC<br>UNREAD", "+33660669023", , "03/02/13,18:56:55+00"<CR><LF><br>It is me again.<br>OK<br><i>Note: The state has been updated</i>                |
| AT+WUSS?   | +WUSS: 0<br>OK                                                                                                                                              |
| AT+CMGR=10 | +CMGR: "REC READ", "+33660669023", ,<br>"03/02/13,18:56:55+00"                                                                                              |
| AT+WUSS?   | +WUSS: 0<br>OK                                                                                                                                              |

## 17.18. Message Overwriting +WMGO



### 17.18.1. Description

The Sierra Wireless proprietary +WMGO command is used to specify a location in the SIM or Flash memory, where the next SMS will be stored using the +CMGW command. The defined location is used only once: +WMGO has to be used again to perform another overwrite.

### 17.18.2. Syntax

*Action command*

```
AT+WMGO=<loc>
```

```
OK
```

*Read command*

```
AT+WMGO?
```

```
+WMGO: <loc>
```

```
OK
```

*Test command*

```
AT+WMGO=?
```

```
+WMGO: (list of supported <loc>s)
```

```
OK
```

### 17.18.3. Parameters and Defined Values

|                     |                                                                                                         |
|---------------------|---------------------------------------------------------------------------------------------------------|
| <b>&lt;loc&gt;:</b> | location number of the SMS to write or overwrite<br>Number depends of the SIM or Flash memory capacity. |
|---------------------|---------------------------------------------------------------------------------------------------------|

### 17.18.4. Parameter Storage

None.

## 17.18.5. Examples

| Command                                                                                                                          | Responses                                                                   |
|----------------------------------------------------------------------------------------------------------------------------------|-----------------------------------------------------------------------------|
| <b>AT+CPMS?</b><br><br><i>Note: Check the storage area</i>                                                                       | +CPMS: "SM", 3, 10, "SM", 3, 10, "SM", 3, 10<br><br>OK                      |
| <b>AT+CMGW="+33146290800"&lt;CR&gt;</b><br><b>Hello how are you ?&lt;ctrl-Z&gt;</b><br><i>Note: Write a message in text mode</i> | +CMGW: 4<br><br>OK<br><br><i>Note: Message stored in index 4 in the SIM</i> |
| <b>AT+WMGO=?</b>                                                                                                                 | +WMGO: (1-10)<br><br>OK<br><br><i>Note: Possible values for the SIM</i>     |
| <b>AT+WMGW=4</b>                                                                                                                 | OK                                                                          |
| <b>AT+CMGW="+33146290000"&lt;CR&gt;</b><br><b>You are overwritten</b><br><b>&lt;ctrl-Z&gt;</b>                                   | +CMGW: 4<br><br>OK<br><br><i>Note: New Message stored in index 4</i>        |

## 17.18.6. Notes

- If the external application specifies a free location, and an incoming message is received before the +CMGW command occurs, the product may store the incoming message at the specified available location. If the +CMGW command is used without changing the location with another +WMGO, the received message will be overwritten.
- The location number is not kept over a software reset.
- If the storage area is changed with the +CPMS command, the value of WMGO will be reset to 0.

## 17.19. Copy Messages +WMCP



### 17.19.1. Description

This Sierra Wireless proprietary command copies the SMS from the SIM to the Flash or from the Flash to the SIM.

### 17.19.2. Syntax

#### Action command

```
AT+WMCP=<mode>[ ,<loc>]
```

OK

#### Read command

```
AT+WMCP?
```

OK

#### Test command

```
AT+WMCP=?
```

```
+WMCP: (list of supported <mode>s), (list of supported <loc>s)
```

OK

### 17.19.3. Parameters and Defined Values

**<mode>:** copy mode

|   |                           |
|---|---------------------------|
| 0 | from the SIM to the Flash |
| 1 | from the Flash to the SIM |

**<loc>:** location of the SMS to copy (mandatory for <mode>=1)  
If this location is not defined, all the SMS will be copied.  
The SMS copied will have the first free location.



## 17.19.4. Parameter Storage

None.

## 17.19.5. Examples

| Command                                                                                                      | Responses                                                                                                                                                                                                                                                                                          |
|--------------------------------------------------------------------------------------------------------------|----------------------------------------------------------------------------------------------------------------------------------------------------------------------------------------------------------------------------------------------------------------------------------------------------|
| <b>AT+WMCP=?</b>                                                                                             | +WMCP: 0, (1-12)<br>+WMCP: 1, (1-99)<br>OK<br><i>Note: The location of the SMS which can be copied from the SIM to the flash is 1 to 12 (maximum available in the SIM). The location of the SMS which can be copied from the flash to the SIM is 1 to 99 (the maximum available in the flash).</i> |
| <b>AT+CPMS?</b><br><br><i>Note: Read the SMS storage</i>                                                     | +CPMS: "SM", 3, 10, "ME", 0, 99, "SM", 3, 10<br>OK<br><i>Note: Read, write...SMS from/to SIM. 3 SMS are stored in SIM. 10 is the total memory available in SIM. No SMS in Flash.</i>                                                                                                               |
| <b>AT+CMGR=1</b><br><br><i>Note: Read the first SMS from the SIM</i>                                         | +CMGR: "REC UNREAD", "0146290800",<br>"98/10/01,18:22:11+00", <CR><LF><br>My test message: SMS in the SIM at<br>location 1<br>OK                                                                                                                                                                   |
| <b>AT+WMCP=0, 1</b><br><i>Note: Copy the SMS at location 1 in the SIM to the Flash</i>                       | OK                                                                                                                                                                                                                                                                                                 |
| <b>AT+CPMS?</b><br><br><i>Note: Read the SMS storage</i>                                                     | +CPMS: "SM", 3, 10, "ME", 1, 99, "SM", 3, 10<br>OK<br><i>Note: Read, write...SMS from/to SIM. 3 SMS are stored in SIM. 10 is the total memory available in SIM. 1 SMS in Flash.</i>                                                                                                                |
| <b>AT+CPMS="ME", "ME", "ME"</b><br><br><i>Note: Select ME for reading, ME for writing and ME for storing</i> | +CPMS: 1, 99, 1, 99, 1, 99<br>OK                                                                                                                                                                                                                                                                   |
| <b>AT+CMGR=1</b><br><br><i>Note: Read the first SMS from the Flash</i>                                       | +CMGR: "REC READ", "0146290800",<br>"98/10/01,18:22:11+00", <CR><LF><br>My test message: SMS in the SIM at<br>location 1<br>OK                                                                                                                                                                     |

| Command                                                                                                                                                                 | Responses                                                                                                                                                    |
|-------------------------------------------------------------------------------------------------------------------------------------------------------------------------|--------------------------------------------------------------------------------------------------------------------------------------------------------------|
| <p><b>AT+CMGW="+33146290800"&lt;CR&gt;</b></p> <p>Other test message: SMS in the Flash at location 2&lt;ctrl-Z&gt;</p> <p><i>Note: Write a message in text mode</i></p> | <p>+CMGW: 2</p> <p>OK</p> <p><i>Note: Message stored in index 2 in the flash</i></p>                                                                         |
| <p><b>AT+CPMS?</b></p> <p><i>Note: Read the SMS storage</i></p>                                                                                                         | <p>+CPMS: "ME", 2, 99, "ME", 2, 99, "ME", 2, 99</p> <p>OK</p> <p><i>Note: Read, write...SMS from/to the flash. 2 SMS are stored in the flash</i></p>         |
| <p><b>AT+WMCP=1, 2</b></p> <p><i>Note: Copy the SMS at location 2 in the flash to the SIM</i></p>                                                                       | <p>OK</p>                                                                                                                                                    |
| <p><b>AT+CPMS="SM", "ME", "SM"</b></p> <p><i>Note: Select SM for reading, ME for writing and SM for storing</i></p>                                                     | <p>+CPMS: 4, 10, 2, 99, 4, 10</p> <p>OK</p>                                                                                                                  |
| <p><b>AT+CMGR=4</b></p> <p><i>Note: Read the first SMS from the SIM</i></p>                                                                                             | <p>+CMGR: "REC UNREAD", "+33146290800", "98/10/01,18:22:11+00", &lt;CR&gt;&lt;LF&gt;</p> <p>Other test message: SMS in the Flash at location 2</p> <p>OK</p> |
| <p><b>AT+CPMS="ME"</b></p> <p><i>Note: Select ME for reading</i></p>                                                                                                    | <p>+CPMS: 2, 99, 2, 99, 4, 10</p> <p>OK</p>                                                                                                                  |
| <p><b>AT+CMGD=0, 4</b></p> <p><i>Note: Erase all the SMS stored in the Flash</i></p>                                                                                    | <p>OK</p>                                                                                                                                                    |
| <p><b>AT+CPMS?</b></p> <p><i>Note: Read the SMS storage</i></p>                                                                                                         | <p>+CPMS: "ME", 0, 99, "ME", 0, 99, "SM", 4, 10</p> <p>OK</p> <p><i>Note: No SMS is stored in the flash.</i></p>                                             |
| <p><b>AT+WMCP=0</b></p> <p><i>Note: Copy all the SMS from the SIM to the Flash</i></p>                                                                                  | <p>OK</p>                                                                                                                                                    |
| <p><b>AT+CPMS?</b></p> <p><i>Note: Read the SMS storage</i></p>                                                                                                         | <p>+CPMS: "ME", 4, 99, "ME", 4, 99, "SM", 4, 10</p> <p>OK</p> <p><i>Note: 4 SMS are stored in the flash.</i></p>                                             |

## 17.20. Save Settings +CSAS



### 17.20.1. Description

All settings specified by the +CSCA, +CNMI and +CSMP commands are stored in EEPROM if the SIM card is a Phase 1 card or in the SIM card if it is a Phase 2 SIM card.

### 17.20.2. Syntax

*Action command*

**AT+CSAS**

OK

*Read command*

None

*Test command*

None

### 17.20.3. Parameters and Defined Values

None.

### 17.20.4. Parameter Storage

None.

### 17.20.5. Examples

| Command                                                         | Responses                           |
|-----------------------------------------------------------------|-------------------------------------|
| <b>AT+CSAS</b><br><i>Note: Store +CSCA and +CSMP parameters</i> | OK<br><i>Note: Parameters saved</i> |

## 17.21. Restore Settings +CRES



### 17.21.1. Description

All settings specified in the +CSCA and +CSMP commands are restored from EEPROM if the SIM card is Phase 1 or from the SIM card if it is a Phase 2 one.

### 17.21.2. Syntax

*Action command*

**AT+CRES**

OK

*Read command*

None

*Test command*

None

### 17.21.3. Parameters and Defined Values

None.

### 17.21.4. Parameter Storage

None.

### 17.21.5. Examples

| Command                                                           | Responses                              |
|-------------------------------------------------------------------|----------------------------------------|
| <b>AT+CRES</b><br><i>Note: Restore +CSCA and +CSMP parameters</i> | OK<br><i>Note: Parameters restored</i> |

## 17.22. Select Cell Broadcast Message Types +CSCB



### 17.22.1. Description

This command selects which types of CBMs are to be received by the ME. It is allowed in both PDU and text modes.

### 17.22.2. Syntax

*Action command*

**AT+CSCB=<mode>[ , [<mids> , [ , <dcs> ] ] ]**

OK

*Read command*

None

*Test command*

None

### 17.22.3. Parameters and Defined Values

|                      |                                                                      |
|----------------------|----------------------------------------------------------------------|
| <b>&lt;mode&gt;:</b> | please refer to <a href="#">[1]</a>                                  |
| 0                    | activation of CBM reception                                          |
| <b>&lt;mids&gt;:</b> | message Identifiers                                                  |
|                      | Indicates to which type of message identifiers the ME should listen. |

|                      |                    |                                                          |
|----------------------|--------------------|----------------------------------------------------------|
| <b>&lt;dcsc&gt;:</b> |                    | data coding schemes, please refer to <a href="#">[1]</a> |
|                      |                    | string type                                              |
| 0                    | German             |                                                          |
| 1                    | English Italian    |                                                          |
| 2                    | French             |                                                          |
| 3                    | Spanish Dutch      |                                                          |
| 4                    | Swedish            |                                                          |
| 5                    | Danish             |                                                          |
| 6                    | Portuguese Finnish |                                                          |
| 7                    | Norwegian Greek    |                                                          |
| 8                    | Turkish            |                                                          |
| 9                    | Hungarian Polish   |                                                          |
| 10                   | Czech              |                                                          |
| 11                   | German             |                                                          |
| 12                   | English Italian    |                                                          |
| 13                   | French             |                                                          |
| 14                   | Spanish Dutch      |                                                          |
| 32                   | Swedish            |                                                          |

---

*Note:* The `<bm>` parameter of `+CNMI` command controls the message indication. The activation of CBM reception (`<mode>=0`) can select only specific Message Identifiers (list in `<mids>`) for specific Languages (list in `<dcsc>`), but the deactivation stops any reception of CBMs (only `AT+CSCB=1` is allowed).

---

## 17.22.4. Parameter Storage

None.

## 17.22.5. Examples

| Command                                                                                                   | Responses                                                                                                                     |
|-----------------------------------------------------------------------------------------------------------|-------------------------------------------------------------------------------------------------------------------------------|
| <b>AT+CSCB=0,"15-17,50,86",""</b><br><i>Note: Accept SMS-CB types, 15,16,17,50 and 86 in any language</i> | OK<br><i>Note: CBMs can be received</i>                                                                                       |
|                                                                                                           | +CBM: 1000112233445566778899<br><i>Note: CBM length of a received Cell Broadcast message (SMS-CB), CBM bytes in PDU mode)</i> |
| <b>AT+CSCB=1</b><br><i>Note: Deactivate the reception of CBMs</i>                                         | OK<br><i>Note: CBM reception is completely stopped</i>                                                                        |

## 17.23. Cell Broadcast Message Identifiers +WCBM



### 17.23.1. Description

This Sierra Wireless proprietary command is used to read the EF-CBMI SIM file. The EF-CBMI file is not used with the +CSCB command.

The application should read this file (using AT+WCBM?) and combine the Message Identifiers with those required by the application.

### 17.23.2. Syntax

*Action command*

```
AT+WCBM=<mids>
```

OK

*Read command*

```
AT+WCBM?
```

```
+WCBM: <mids>
```

OK

*Test command*

None

### 17.23.3. Parameters and Defined Values

|                      |                                                                                             |
|----------------------|---------------------------------------------------------------------------------------------|
| <b>&lt;mids&gt;:</b> | message Identifiers<br>Indicates to which type of message identifiers the ME should listen. |
|----------------------|---------------------------------------------------------------------------------------------|

### 17.23.4. Parameter Storage

None.



## 17.23.5. Examples

| Command                                                                                    | Responses                                                                       |
|--------------------------------------------------------------------------------------------|---------------------------------------------------------------------------------|
| <b>AT+WCBM="10,100,1000,10000"</b><br><i>Note: Write 4 messages identifiers in EF-CBMI</i> | OK<br><i>Note: CBMIs are stored in EF-CBMI</i>                                  |
| <b>AT+WCBM?</b><br><i>Note: Read the CBMIs in EF-CBMI</i>                                  | +WCBM: "10,100,1000,100000"<br>OK<br><i>Note: 4 CBMIs are stored in EF-CBMI</i> |

## »» | 18. SIM Commands

### 18.1. Card Identification +CCID



#### 18.1.1. Description

This command orders the product to read the EF-CCID file on the SIM card.

#### 18.1.2. Syntax

*Action command*

**AT+CCID**

+CCID: <CCID>

OK

*Read command*

**AT+CCID?**

+CCID: <CCID>

OK

*Test command*

**AT+CCID=?**

OK

#### 18.1.3. Parameters and Defined Values

|                      |                                              |
|----------------------|----------------------------------------------|
| <b>&lt;CCID&gt;:</b> | identification number for the SIM (20 digit) |
|----------------------|----------------------------------------------|

#### 18.1.4. Parameter Storage

None.

## 18.1.5. Examples

| Command                                               | Responses                                                                                  |
|-------------------------------------------------------|--------------------------------------------------------------------------------------------|
| <b>AT+CCID</b><br><br><i>Note: Get card ID</i>        | +CCID: "123456789AB111213141"<br>OK<br><i>Note: EF-CCID is present, hexadecimal format</i> |
| <b>AT+CCID?</b><br><br><i>Note: Get current value</i> | +CCID: "123456789AB111213141"<br>OK<br><i>Note: Same result as +CCID</i>                   |

## 18.2. Active Application Indication +WSAPPI



### 18.2.1. Description

This Sierra Wireless proprietary command indicates the active application: SIM or USIM.

*Note:* AT+WSAPPI command is available only on embedded module with USIM supported.

### 18.2.2. Syntax

*Action command*

**AT+WSAPPI**

+WSAPPI: <type>[,<AID>]

OK

*Read command*

None

*Test command*

None

### 18.2.3. Parameters and Defined Values

|                      |                                                     |
|----------------------|-----------------------------------------------------|
| <b>&lt;type&gt;:</b> | Type of inserted card<br>String type                |
| None                 | no active SIM and no active USIM application        |
| SIM                  | SIM card or UICC card with SIM application selected |
| USIM                 | UICC card with USIM application selected            |
| <b>&lt;AID&gt;</b>   | Application Id (for USIM only)<br>hexadecimal type  |

## 18.2.4. Parameter Storage

None.

## 18.2.5. Examples

| Command    | Responses                                                                                                                                              |
|------------|--------------------------------------------------------------------------------------------------------------------------------------------------------|
| AT+WSAPPI? | ERROR                                                                                                                                                  |
| AT+WSAPP=? | ERROR                                                                                                                                                  |
| AT+WSAPPI  | +WSAPPI :<br>"USIM", "A0000000871002FF33FF0189060500FF"<br>OK<br><i>Note: UICC card active USIM application, AID= A0000000871002FF33FF0189060500FF</i> |
| AT+WSAPPI  | +WSAPPI: "SIM"<br>OK<br><i>Note: SIM card is inserted or UICC card with active SIM application</i>                                                     |
| AT+WSAPPI  | +CME ERROR: 10<br><i>Note: SIM or UICC required</i>                                                                                                    |

## 18.3. Request IMSI +CIMI



### 18.3.1. Description

This command is used to read and identify the IMSI of the SIM card.

### 18.3.2. Syntax

*Action command*

**AT+CIMI**

<IMSI>

OK

*Read command*

None

*Test command*

None

### 18.3.3. Parameters and Defined Values

|         |                                          |
|---------|------------------------------------------|
| <IMSI>: | IMSI of the SIM card<br>15 digits number |
|---------|------------------------------------------|

### 18.3.4. Parameter Storage

None.

### 18.3.5. Examples

| Command                                          | Responses                                                                                                                               |
|--------------------------------------------------|-----------------------------------------------------------------------------------------------------------------------------------------|
| <b>AT+CIMI</b><br><br><i>Note: Read the IMSI</i> | 208200120320598<br><br>OK<br><br><i>Note: IMSI value (15 digits), starting with MCC (3 digits) /<br/>MNC (2 digits, 3 for PCS 1900)</i> |

## 18.4. Generic SIM Access +CSIM



### 18.4.1. Description

This command allows direct control of the SIM by a distant application on the TE. The <command> is sent without any modification to the SIM. In the same manner the SIM <response> is sent back by the ME unchanged.

The user must then pay attention to processing SIM information within the frame specified by GSM as specified in recommendation 3GPP 11.11 [9] (or 3GPP 51.011 [13]).

If operation mode is not allowed by the ME, a "+CME ERROR: <err>" is returned.

Between two successive +CSIM commands, there is no locking protection for the interface between the SIM and the GSM application. In this situation some command types and parameters can modify SIM files incorrectly, some of the following operations are not allowed for the CSIM command. However, it is possible to process them with the CRSIM command.

### 18.4.2. Syntax

#### *Action command*

```
AT+CSIM=<length>,<command>  
+CSIM: <length>,<response>  
OK
```

#### *Read command*

```
AT+CSIM?  
OK
```

#### *Test command*

```
AT+CSIM=?  
OK
```



### 18.4.3. Parameters and Defined Values

|                         |                                                                                                                                                                                                                                                                                                                                                                                                                                                                                                                                                                                                                                                                                                                                                                                                                                                                                                                                                                                                                                                                                                                                                                                                                                                                                                                                                                                                                                                                                                                                                                 |
|-------------------------|-----------------------------------------------------------------------------------------------------------------------------------------------------------------------------------------------------------------------------------------------------------------------------------------------------------------------------------------------------------------------------------------------------------------------------------------------------------------------------------------------------------------------------------------------------------------------------------------------------------------------------------------------------------------------------------------------------------------------------------------------------------------------------------------------------------------------------------------------------------------------------------------------------------------------------------------------------------------------------------------------------------------------------------------------------------------------------------------------------------------------------------------------------------------------------------------------------------------------------------------------------------------------------------------------------------------------------------------------------------------------------------------------------------------------------------------------------------------------------------------------------------------------------------------------------------------|
| <b>&lt;length&gt;:</b>  | Length of the characters that are sent to TE in <command> or <response> (two times the actual length of the command or response). For command sent to TE, this value must be in the range [ 10 – 522 ], else a "+CME ERROR: 3" is returned.<br><br>integer type                                                                                                                                                                                                                                                                                                                                                                                                                                                                                                                                                                                                                                                                                                                                                                                                                                                                                                                                                                                                                                                                                                                                                                                                                                                                                                 |
| <b>&lt;command&gt;:</b> | Command passed on by the MT to the SIM in the format as described in 3GPP 11.11 <a href="#">[9]</a> (or 3GPP 51.011 <a href="#">[13]</a> ) (hexadecimal character format; see the +CSCS command).<br><br>The supported commands are :<br><br>READ BINARY<br>READ RECORD<br>FETCH<br>STATUS<br>SELECT<br>SEEK<br>TERMINAL RESPONSE<br>ENVELOPE<br>TERMINAL RESPONSE<br><br>hexadecimal type<br><br><u>Second Byte Value not supported:</u><br><br>Due to the absence of locking protection, some commands are not set to the SIM and a "+CME ERROR: 3" is returned for the following instructions ( See <a href="#">CRSM</a> commands): <ul style="list-style-type: none"><li>• D6 : UPDATE BINARY</li><li>• DC : UPDATE RECORD</li><li>• 32 : INCREASE</li><li>• 44 : REHABILITATE</li><li>• 04 : INVALIDATE</li><li>• 88 : RUN GSM ALGORITHM</li><li>• 20 : VERIFY CHV</li><li>• 24 : CHANGE CHV</li><li>• 26 : DISABLE CHV</li><li>• 28 : ENABLE CHV</li><li>• 2C : UNBLOCK CHV</li><li>• FA : SLEEP</li><li>• C0 : GET RESPONSE</li></ul><br><u>Second Byte Value warning:</u><br><br>Due to the absence of locking, the right response may not be returned for the following instructions (See <a href="#">CRSM</a> commands). <ul style="list-style-type: none"><li>• C2 : ENVELOPE</li><li>• A2 : SEEK</li><li>• A4 : SELECT</li></ul><br><u>Fifth Byte Value Restriction:</u><br><br>For the following instructions (Second Byte): <ul style="list-style-type: none"><li>• A4 : SELECT</li><li>• 10 : TERMINAL PROFILE</li><li>• C2 : ENVELOPE</li></ul> |

|                                                                                                                                                                                                                                                                                                                                                                                                                                                                 |
|-----------------------------------------------------------------------------------------------------------------------------------------------------------------------------------------------------------------------------------------------------------------------------------------------------------------------------------------------------------------------------------------------------------------------------------------------------------------|
| <ul style="list-style-type: none"> <li>• 14 : TERMINAL RESPONSE</li> <li>• A2 : SEEK</li> </ul> <p>the user must make sure that the value of the fifth Byte of the instruction corresponds of the length of bytes (data starting from 6th byte) which follow it.</p> <p>The value of the Fifth Byte must be equal of the value: <math>\langle \text{length} \rangle / 2 - 5</math>, else the command is not send to the SIM and "CME ERROR: 3" is returned.</p> |
| <p><b>&lt;response&gt;:</b> Response to the command passed on by the SIM to the MT in the format as described in 3GPP 11.11 <a href="#">[9]</a> (or 3GPP 51.011 <a href="#">[13]</a>) (hexadecimal character format; refer to CSCS).</p> <p>hexadecimal type</p>                                                                                                                                                                                                |

## 18.4.4. Parameter Storage

None.

## 18.4.5. Examples

| Command                                                                           | Responses                                                                                                  |
|-----------------------------------------------------------------------------------|------------------------------------------------------------------------------------------------------------|
| <b>AT+CSIM=14 , "A0A40000027F20"</b><br><br><i>Note: Select DF Telecom (7F20)</i> | +CSIM: 4, "9F16"<br><br>OK<br><br><i>Note : Command correctly treated with length 16 for response data</i> |
| <b>AT+CSIM?</b>                                                                   | OK                                                                                                         |
| <b>AT+CSIM=?</b>                                                                  | OK                                                                                                         |

## 18.5. Restricted SIM Access +CRSM



### 18.5.1. Description

By using this command instead of Generic SIM Access +CSIM, the application has easier but more limited access to the SIM database. This command transmits the SIM <command> and its required parameters to the MT.

As response to the command, the MT sends the actual SIM information parameters and response data. The MT error result code "+CME ERROR: <err>" may be returned when the command cannot be passed to the SIM, but failure in the execution of the command in the SIM is reported in the response parameters.

As with the +CSIM command, there is no locking between two successive commands. The user should be aware of the precedence of the GSM application commands over the TE commands.

### 18.5.2. Syntax

#### *Action command*

```
AT+CRSM=<command>[,<fileid>[,<P1>,<P2>,<P3>[,<data>[,<pathid>]]]
```

```
+CRSM: <sw1>,<sw2>[,<response>]
```

```
OK
```

#### *Read command*

```
AT+CRSM?
```

```
OK
```

#### *Test command*

```
AT+CRSM=?
```

```
OK
```

### 18.5.3. Parameters and Defined Values

|                                            |                                                                                                                                                                                                                                                                                                                                                                                                                                             |
|--------------------------------------------|---------------------------------------------------------------------------------------------------------------------------------------------------------------------------------------------------------------------------------------------------------------------------------------------------------------------------------------------------------------------------------------------------------------------------------------------|
| <b>&lt;command&gt;:</b>                    | command passed on by the MT to the SIM (all other values are reserved); refer to 3GPP 11.11 [9] (or 3GPP 51.011 [13]).<br><br>integer type (see <a href="#">Note 1</a> below)                                                                                                                                                                                                                                                               |
| 176                                        | READ BINARY                                                                                                                                                                                                                                                                                                                                                                                                                                 |
| 178                                        | READ RECORD                                                                                                                                                                                                                                                                                                                                                                                                                                 |
| 192                                        | GET RESPONSE                                                                                                                                                                                                                                                                                                                                                                                                                                |
| 242                                        | STATUS                                                                                                                                                                                                                                                                                                                                                                                                                                      |
| <b>&lt;fileid&gt;:</b>                     | identifier of an elementary data file on SIM<br>mandatory for every command except STATUS<br>integer type (see <a href="#">Note 2</a> below)                                                                                                                                                                                                                                                                                                |
| <b>&lt;P1&gt;, &lt;P2&gt;, &lt;P3&gt;:</b> | parameters passed on by the MT to the SIM<br><br>These parameters are mandatory for every command, except GET RESPONSE and STATUS. The values are described in 3GPP 11.11 [9] (or 3GPP 51.011 [13]).<br>integer type                                                                                                                                                                                                                        |
| <b>&lt;data&gt;:</b>                       | information which is to be written to the SIM (hexadecimal character format; refer to +CSCS)<br>hexadecimal type                                                                                                                                                                                                                                                                                                                            |
| <b>&lt;pathid&gt;:</b>                     | contains the path of an elementary file on the SIM/UICC in hexadecimal format as defined in ETSI TS 102 221 [29] (e.g. "7F205F70" in SIM and UICC case). The <pathid> shall only be used in the mode "select by path from MF" as defined in ETSI TS 102 221 [29]<br><br>hexadecimal type (see Note: below)                                                                                                                                  |
| <b>&lt;sw1&gt;, &lt;sw2&gt;:</b>           | information from the SIM about the execution of the actual command<br><br>These parameters are delivered to the TE in both cases, on successful or failed execution of the command.<br><br>integer type                                                                                                                                                                                                                                     |
| <b>&lt;response&gt;:</b>                   | response to successful completion of the command previously issued (hexadecimal character format; refer to +CSCS)<br><br>STATUS and GET RESPONSE return data, which gives information about the current elementary data field. This information includes the file type and size (refer to 3GPP [9] 11.11 (or 3GPP 51.011 [13])). After the READ BINARY or READ RECORD command, the requested data will be returned.<br><br>hexadecimal type |

**Note:** 1. The MT internally executes all commands necessary for selecting the desired file, before performing the actual command.

**Note:** 2. The range of valid file identifiers depends on the actual SIM and is defined in 3GPP 11.11 [9] (or 3GPP 51.011 [13]). Optional files may not be present at all. This value must be in the range [0 – 65535] else a "+CME ERROR: 3" is returned.

---

**Note:** 3. Since valid elementary file identifiers may not be unique over all valid dedicated file identifiers the <pathid> indicates the targeted UICC/SIM directory path in case of ambiguous file identifiers. If <pathid> is omitted, the result will depend on the type of SIM/UICC used. If SIM is used, <pathid> is not applicable. If UICC is used, the ME will try to select the elementary file in the current directory. If the file does not exist, error is returned.

---

## 18.5.4. Parameter Storage

None.

## 18.5.5. Examples

| Command                                                                                                                         | Responses                                                                                                                                                            |
|---------------------------------------------------------------------------------------------------------------------------------|----------------------------------------------------------------------------------------------------------------------------------------------------------------------|
| <b>AT+CRSM=178,28474,1,4,28</b><br><br><i>Note : READ RECORD on EF-ADN (1st entry) with length 28</i>                           | +CRSM:<br>144,0,"74657374FFFFFFFFFFFFFFFFFFFFFFFF07811<br>032466587F9FFFFFFFFFFFFFFF"<br><br>OK<br><br><i>Note : SIM response : 9000 with the data stored in SIM</i> |
| <b>AT+CRSM=178,28474,1,4,28</b><br><br><i>Note : READ RECORD on EF-ADN (1st entry) with length 28 from a USIM</i>               | +CRSM: 105,130<br><br>OK<br><br><i>Note : '6982' – Security status not satisfied</i>                                                                                 |
| <b>AT+CRSM=176,12258,0,0,10,"3F00"</b><br><br><i>Note : READ BINARY on EF-ICCID with length 10 from an USIM</i>                 | +CRSM:<br>144,0,"98581202090286188025"<br><br>OK<br><br><i>Note : SIM response : 9000 with the data stored in UICC</i>                                               |
| <b>AT+CRSM=176,12258,0,0,10</b><br><br><i>Note : READ BINARY on EF-ICCID with length 10 from an USIM without &lt;pathid&gt;</i> | +CRSM: 106,130<br><br>OK<br><br><i>Note : '6A82' - File not found</i>                                                                                                |
| <b>AT+CRSM?</b>                                                                                                                 | OK                                                                                                                                                                   |
| <b>AT+CRSM=?</b>                                                                                                                | OK                                                                                                                                                                   |

## 18.6. Write Language Preference +WLPW



### 18.6.1. Description

This Sierra Wireless proprietary command writes a Language Preference value in EF-LP.

### 18.6.2. Syntax

*Action command*

```
AT+WLPW=<index>,<value>
```

OK

*Read command*

None

*Test command*

None

### 18.6.3. Parameters and Defined Values

**<index>:** offset in the available languages range (SIM dependent)  
integer value

**<value>:** example of values for languages (Please refer to [\[18\]](#))

|   |         |
|---|---------|
| 0 | German  |
| 1 | English |
| 2 | Italian |
| 3 | French  |
| 4 | Spanish |
| 5 | Dutch   |
| 6 | Swedish |

|    |            |
|----|------------|
| 7  | Danish     |
| 8  | Portuguese |
| 9  | Finnish    |
| 10 | Norwegian  |
| 11 | Greek      |
| 12 | Turkish    |
| 13 | Hungarian  |
| 14 | Polish     |
| 32 | Czech      |
| 33 | Hebrew     |
| 34 | Arabic     |
| 35 | Russian    |

### 18.6.4. Parameter Storage

None

### 18.6.5. Examples

| Command                                                                               | Responses                                  |
|---------------------------------------------------------------------------------------|--------------------------------------------|
| <b>AT+WLPW=1,5</b><br><i>Note: Writes Language Preference equal to 5 with index 1</i> | OK<br><i>Note: EF-LP correctly updated</i> |

## 18.7. Read Language Preference +WLPR



### 18.7.1. Description

This Sierra Wireless proprietary command reads a Language Preference value of EF-LP. The first indices should have the highest priority.

### 18.7.2. Syntax

#### *Action command*

```
AT+WLPR=<index>
```

```
+WLPR: <value>
```

```
OK
```

#### *Read command*

```
AT+WLPR?
```

```
+WLPR: <nb>
```

```
OK
```

#### *Test command*

```
None
```



### 18.7.3. Parameters and Defined Values

|                       |                                                                                             |
|-----------------------|---------------------------------------------------------------------------------------------|
| <b>&lt;index&gt;:</b> | offset in the available languages range (SIM dependent)<br>integer value                    |
| <b>&lt;nb&gt;:</b>    | number of non empty Language Preferences in EF-LP (SIM dependent)<br>integer value          |
| <b>&lt;value&gt;:</b> | example of values for languages, please refer to <a href="#">[18]</a> for more information. |
| 0                     | German                                                                                      |
| 1                     | English                                                                                     |
| 2                     | Italian                                                                                     |
| 3                     | French                                                                                      |
| 4                     | Spanish                                                                                     |
| 5                     | Dutch                                                                                       |
| 6                     | Swedish                                                                                     |
| 7                     | Danish                                                                                      |
| 8                     | Portuguese                                                                                  |
| 9                     | Finnish                                                                                     |
| 10                    | Norwegian                                                                                   |
| 11                    | Greek                                                                                       |
| 12                    | Turkish                                                                                     |
| 13                    | Hungarian                                                                                   |
| 14                    | Polish                                                                                      |
| 32                    | Czech                                                                                       |
| 33                    | Hebrew                                                                                      |
| 34                    | Arabic                                                                                      |
| 35                    | Russian                                                                                     |

### 18.7.4. Parameter Storage

None

## 18.7.5. Examples

| Command                                                           | Responses                                                                       |
|-------------------------------------------------------------------|---------------------------------------------------------------------------------|
| <b>AT+WLPR?</b>                                                   | +WLPR: 4<br>OK<br><i>Note: Four language preferences are available in EF-LP</i> |
| <b>AT+WLPR=1</b><br><br><i>Note: Read first EF-LP index value</i> | +WLPR: 5<br>OK<br><i>Note: Language preference is 5</i>                         |

# ➤➤ | 19. SIM ToolKit Commands

## 19.1. Overview of SIM Application ToolKit

### 19.1.1. Summary

SIM ToolKit, also known as "SIM Application ToolKit" introduces functionalities, which open the way to a broad range of value added services.

The principle is to allow service providers to develop new applications (*e.g. for banking, travel, ticket booking, etc.*) for subscribers and to download them into the SIM.

This solution allows new services to be accessible to the user by adding new SIM-based applications without modifying the embedded module.

### 19.1.2. Functionality

SIM ToolKit refers to the functionalities described in the GSM Technical specification 11.14 [\[20\]](#).

It introduces twenty five commands for the SIM. Three classes of increasing ToolKit functionalities have been defined, with class 1 offering a subset of commands and class 3 offering the full range of commands (Please refer to section "Support of SIM ToolKit by the M.E." in the Appendixes).

The SIM Application ToolKit supports:

- profile download,
- proactive SIM,
- data download into SIM,
- menu selection,
- call control by SIM.

### 19.1.3. Profile Download

The profile download instruction is sent by the customer application to the SIM as part of the initialization. It is used to indicate which SIM Application ToolKit features are supported by the customer application.

The AT command used for this operation is +STSF (SIM ToolKit Set Facilities).

## 19.1.4. Proactive SIM

A proactive SIM provides a mechanism whereby the SIM can ask the customer application to perform certain actions.

These actions include:

- display menu,
- display given text,
- get user input,
- send a short message,
- play the requested tone,
- set up a call,
- provide location information.

This mechanism allows SIM applications to generate powerful menu-driven sequences on the customer application and to use services available in the network.

The commands used for this operation are:

- +STIN (SIM ToolKit Indication),
- +STGI (SIM ToolKit Get Information),
- +STGR (SIM ToolKit Give Response).

## 19.1.5. Data Download to SIM

Data downloading to the SIM (*SMS, phonebook...*) allows data or programs (*Java applets*) received by SMS or by Cell Broadcast to be transferred directly to the SIM Application.

This feature does not need any AT command. It is transparent to the customer application.

## 19.1.6. Menu Selection

A set of menu items is supplied by the SIM Application ToolKit. The menu selection command can then be used to signal to the SIM Application which menu item is selected.

The commands used for this operation are **+STIN**, **+STGI** and **+STGR**.

## 19.1.7. Call control by SIM

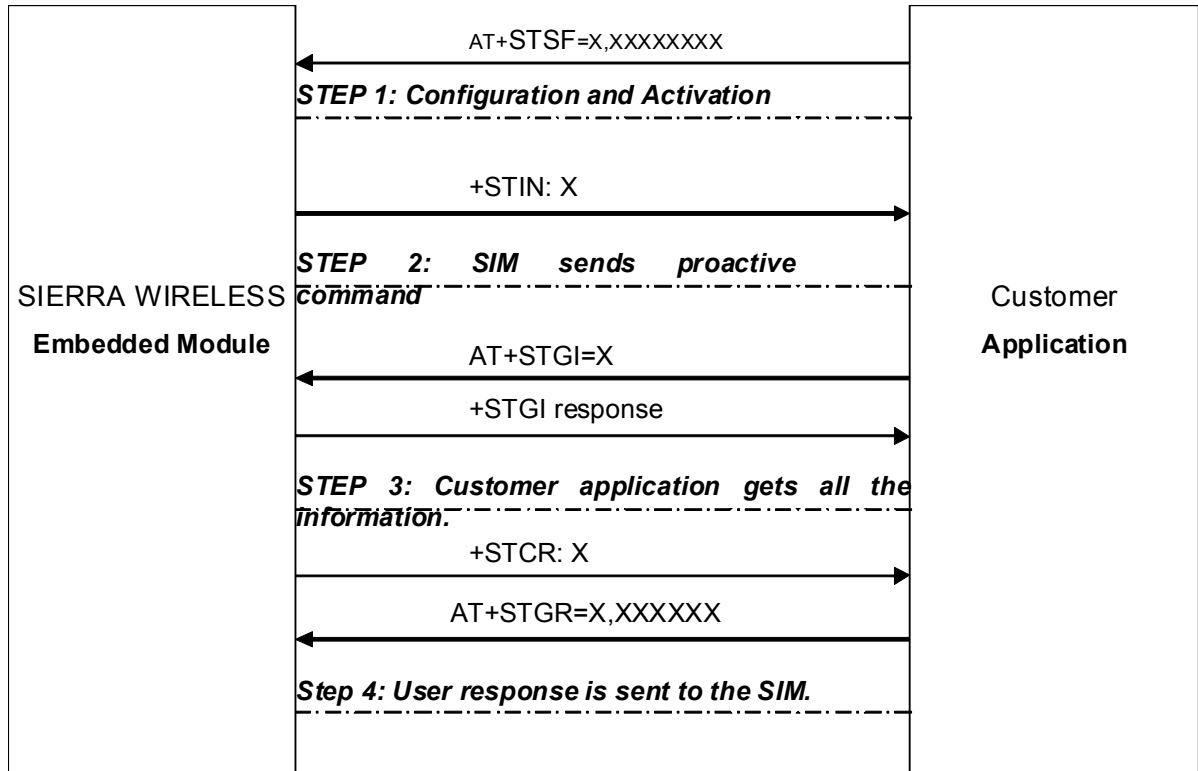
The call control mechanism allows the SIM to check all dialed numbers, supplementary service control strings and USSD strings before connecting to the network. This gives the SIM the ability to allow, bar or modify the string before the operation starts.

The commands used for this operation are:

- +STCR (SIM ToolKit Control Response),
- +STGR (SIM ToolKit Give Response).

## 19.1.8. Messages exchanged during a SIM ToolKit operation

The following figure shows the SIM ToolKit commands and unsolicited results that are exchanged.



On the first step, the customer application informs the Sierra Wireless product which facilities are supported. This operation is performed with the +STSF (SIM ToolKit Set Facilities) command, which also allows to activate or deactivate the SIM ToolKit functionality.

On the second step, an unsolicited result +STIN (SIM ToolKit indication) is sent by the product, indicating to the customer application which command type the SIM Application ToolKit is running on the SIM card. The last SIM ToolKit indication can be requested by the AT+STIN? command.

On the third step, the customer application uses the +STGI (SIM ToolKit Get Information) command to get all the information about the SIM ToolKit command, returned by a +STIN message.

On the fourth step, the customer application uses the +STGR (SIM ToolKit Give Response) to send its response (if any) to the SIM ToolKit Application.

The +STCR (SIM ToolKit Control response) indication is an unsolicited result sent by the SIM when Call control functionality is activated and before the customer application has performed any outgoing call, SMS, SS, or USSD.

## 19.2. SIM ToolKit Set Facilities +STSF



### 19.2.1. Description

This Sierra Wireless proprietary command allows SIM ToolKit facilities to be activated, deactivated or configured.

The activation or deactivation of the SIM ToolKit functionalities requires the use of the +CFUN (Set phone functionality) command to reset the product. This operation is not necessary if PIN is not entered yet.

### 19.2.2. Syntax

#### *Action command*

```
AT+STSF=<mode>[ , [<Config>] [ , [<Timeout>] [ , <AutoMode>]]]
```

OK

#### *Read command*

```
AT+STSF?
```

```
+STSF: <mode> , <Config> , <Timeout> , <AutoMode>
```

OK

#### *Test command*

```
AT+STSF=?
```

```
+STSF: (list of supported <mode>s) , (list of supported <Config>s) ,  
(list of supported <Timeout>s) , (list of supported <AutoMode>s)
```

OK

### 19.2.3. Parameters and Defined Values

|                          |                                                                                                                                                                                                                                                                                                                                                                                                                                                                                                                                                                                                                                                                                                                                                                                                                                  |
|--------------------------|----------------------------------------------------------------------------------------------------------------------------------------------------------------------------------------------------------------------------------------------------------------------------------------------------------------------------------------------------------------------------------------------------------------------------------------------------------------------------------------------------------------------------------------------------------------------------------------------------------------------------------------------------------------------------------------------------------------------------------------------------------------------------------------------------------------------------------|
| <b>&lt;mode&gt;:</b>     | SIM ToolKit functionalities activation mode                                                                                                                                                                                                                                                                                                                                                                                                                                                                                                                                                                                                                                                                                                                                                                                      |
| 0                        | deactivates the SIM ToolKit functionalities.                                                                                                                                                                                                                                                                                                                                                                                                                                                                                                                                                                                                                                                                                                                                                                                     |
| 1                        | activates the SIM ToolKit functionalities (default value)                                                                                                                                                                                                                                                                                                                                                                                                                                                                                                                                                                                                                                                                                                                                                                        |
| 2                        | configures the SIM ToolKit functionalities.                                                                                                                                                                                                                                                                                                                                                                                                                                                                                                                                                                                                                                                                                                                                                                                      |
| <b>&lt;Config&gt;:</b>   | <p>SIM ToolKit terminal profile</p> <p>This parameter gives the list of the SIM Application ToolKit facilities that are supported by the customer application.</p> <p>Some bits of the first nine bytes are related to the product only and not to the customer application. The product automatically sets these bits to either 0 or 1 whatever the user enters with the +STSF command.</p> <p>Each facility is coded on 1 bit:</p> <ul style="list-style-type: none"> <li>• bit = 1: facility is supported by the customer application.</li> <li>• bit = 0: facility is not supported by the customer application.</li> </ul> <p>Please refer to section "Structure of Terminal Profile" in the Appendixes for more information.</p> <p>range: 320060C01F0100471C-FFFFFFFF7F01005F3E<br/>default value: 3F6BFFFF1F0100573E</p> |
| <b>&lt;Timeout&gt;:</b>  | <p>timeout for user responses (in units of 10 seconds).</p> <p>This parameter sets the maximum time for the user action (e.g. to select an item or to input a text).</p> <p>range: 1-255 (default value:1)</p> <hr style="border: 1px solid red;"/> <p><i>Note: AirPrime SL808xT and Q2698 modules: 12.</i></p>                                                                                                                                                                                                                                                                                                                                                                                                                                                                                                                  |
| <b>&lt;AutoMode&gt;:</b> | <p>automatic modes; auto response and silent mode</p> <p>When autoreponse is activated, the +STIN indication for "Play Tone", "Display Text", "Refresh", "Send SS", "Send SMS" or "Send USSD" is automatically followed by the corresponding +STGI response.</p> <p>When the silent mode is activated, the autoreponse mode is activated and no +STIN and no +STGI indications are returned by the embedded module</p>                                                                                                                                                                                                                                                                                                                                                                                                           |
| 0                        | no auto mode activated                                                                                                                                                                                                                                                                                                                                                                                                                                                                                                                                                                                                                                                                                                                                                                                                           |
| 1                        | auto response mode activated                                                                                                                                                                                                                                                                                                                                                                                                                                                                                                                                                                                                                                                                                                                                                                                                     |
| 2                        | silent mode activated (default value)                                                                                                                                                                                                                                                                                                                                                                                                                                                                                                                                                                                                                                                                                                                                                                                            |

### 19.2.4. Parameter Storage

All parameters are stored in EEPROM without using AT&W.

## 19.2.5. Examples

| Command                                                                                                   | Responses                                                                                                                  |
|-----------------------------------------------------------------------------------------------------------|----------------------------------------------------------------------------------------------------------------------------|
| <b>AT+STSF=?</b><br><br><i>Note: Test command SIM ToolKit Set Facilities</i>                              | +STSF: (0-2), (320060C01F0100471C-<br>FFFFFFFF7F01005F3E), (1-255), (0-2)<br><br>OK                                        |
| <b>AT+STSF?</b>                                                                                           | +STSF: 0, " 1F6BFFFF1F0100573E ", 3, 2<br><br><i>Note: No activation of SIM ToolKit functionality</i>                      |
| <b>AT+STSF=2, "FFFFFFFF7F01005F3E", , 0</b><br><br><i>Note: Set all SIM ToolKit facilities (class 3).</i> | OK                                                                                                                         |
| <b>AT+STSF=1</b><br><br><i>Note: Activation of SIM ToolKit functionality</i>                              | OK                                                                                                                         |
| <b>AT+CFUN=1</b>                                                                                          | OK<br><br><i>Note: Reboot embedded module.</i>                                                                             |
| <b>AT+STSF?</b>                                                                                           | +STSF: 1, "FFFFFFFF7F01005F3E", 3, 0<br><br>OK<br><br><i>Note: SIM ToolKit functionality activated with all facilities</i> |

## Notes

---

*Note:* For AirPrime SL808xT and Q2698 embedded modules, the new mode is taken into account with the next reset.

---



## 19.3. SIM ToolKit Indication +STIN



### 19.3.1. Description

This Sierra Wireless proprietary command allows the customer application to identify the proactive command sent via a mechanism of unsolicited SIM ToolKit indications.

The last SIM ToolKit indication sent by the SIM can be requested by the AT+STIN? command. This command is only usable between the sending of the STIN indication by the SIM (see [Messages exchanged during a SIM ToolKit operation](#) step 2) and the response of the user with the +STGI command.

### 19.3.2. Syntax

#### *Action command*

None

#### *Read command*

**AT+STIN?**

+STIN: <CmdType>

OK

#### *Test command*

**AT+STIN=?**

OK

#### *Unsolicited response*

+STIN: <CmdType>

### 19.3.3. Parameters and Defined Values

| <CmdType>: | type of proactive command or error sent by the SIM |
|------------|----------------------------------------------------|
| 0          | "Setup Menu"                                       |
| 1          | "Display Text"                                     |
| 2          | "Get Inkey"                                        |
| 3          | "Get Input"                                        |
| 4          | "Setup Call"                                       |
| 5          | "Play Tone" (*)                                    |
| 6          | "Sel Item"                                         |
| 7          | "Refresh" (*)                                      |
| 8          | "Send SS" (*)                                      |
| 9          | "Send SMS" (*)                                     |
| 10         | "Send USSD" (*)                                    |
| 11         | "SETUP EVENT LIST"                                 |
| 12         | a "SET UP IDLE MODE TEXT"                          |
| 13         | a "SEND DTMF"                                      |
| 14         | a "LANGUAGE NOTIFICATION"                          |
| 93         | "SMS-PP Data Download" failed due to SIM BUSY      |
| 94         | "SMS-PP Data Download" failed due to SIM ERROR     |
| 98         | timeout when no response from user                 |
| 99         | "End Session"                                      |

(\*)if the automatic response parameter is activated, this indication is followed by the corresponding +STGI response.

### 19.3.4. Parameter Storage

None.

### 19.3.5. Examples

| Command                                                                                     | Responses                                                                                                                                           |
|---------------------------------------------------------------------------------------------|-----------------------------------------------------------------------------------------------------------------------------------------------------|
|                                                                                             | +STIN: 0<br><i>Note: "Setup Menu" proactive command has been sent by the SIM.</i>                                                                   |
| <b>AT+STIN?</b><br><br><i>Note: Ask for the last SIM ToolKit indication sent by the SIM</i> | +STIN: 0<br><br>OK<br><i>Note: The last SIM ToolKit indication was a "Setup Menu"</i>                                                               |
| <b>AT+STGI=0</b>                                                                            | +STGI: "Toolkit Menu"+STGI: 1,4,"Item 1",0<br>+STGI: 2,4,"Item 2",0<br><br>OK<br>+STGI: 99<br><i>Note: Display the SIM ToolKit application menu</i> |
| <b>AT+STIN?</b><br><i>Note: Ask for the last SIM ToolKit indication sent by the SIM</i>     | +CME ERROR: 4<br><i>Note: Operation not supported, the +STGI command has been already used</i>                                                      |

## 19.4. SIM ToolKit Get Information +STGI



### 19.4.1. Description

This Sierra Wireless proprietary command allows to get the information (e.g. text to display, menu information, priorities...) of a proactive command sent by the SIM.

The information is returned only after receiving a SIM ToolKit indication (+STIN).

### 19.4.2. Syntax

Depending on the value of the <CmdType> parameter several response syntaxes are available:

- For <CmdType>=0: get information about "Setup Menu" (No action expected from SIM).

*Action command*

**AT+STGI=<CmdType>**

+STGI: <Alpha Identifier menu>

+STGI: <Id>, <NbItems>, <AlphaId Label>, <HelpInfo>[, <NextActionId>]

[+STGI: <Id>, <NbItems>, <AlphaId Label>, <HelpInfo>[, <NextActionId>]

[...]

OK

- For <CmdType>=1: get information about "Display Text" (No action expected from SIM).

*Action command*

**AT+STGI=<CmdType>**

+STGI: <Prior>, <Text>, <ClearMode>

OK

- For <CmdType>=2: get information about "Get Inkey" (SIM expects key pressed sent using +STGR)

*Action command*

**AT+STGI=<CmdType>**

+STGI: <InkeyFormat>, <HelpInfo>[, <TextInfo>]

OK

- For <CmdType>=3: get information about "Get Input" (SIM expects key input sent using +STGR)

*Action command*

**AT+STGI=<CmdType>**

+STGI:

<InputFormat>, <EchoMode>, <SizeMin>, <SizeMax>, <HelpInfo>[, <TextInfo>,  
<DefaultText>]

OK

- For <CmdType>=4: get information about "Setup Call" (If <Class> is omitted, call is processed as a voice call)

*Action command*

**AT+STGI=<CmdType>**

+STGI: <Type>, <CalledNb>, <SubAddress>, <Class>, <AlphaId>, <AlphaId2>

OK

- For <CmdType>=5: get information about "Play Tone" (No action)

*Action command*

**AT+STGI=<CmdType>**

+STGI: <ToneType>[, <TimeUnit>, <TimeInterval>, <TextInfo>]

OK

- For <CmdType>=6: get information about "Sel Item" (SIM expects an item choice sent using +STGR)

*Action command*

**AT+STGI=<CmdType>**

+STGI: <PresetStyle>, <PresetChoice>, <DefaultItem>, <Alpha Identifier menu>

+STGI: <Id>, <NbItems>, <AlphaId Label>, <HelpInfo>[, <NextActionId>]

[+STGI: <Id>, <NbItems>, <AlphaId Label>, <HelpInfo>[, <NextActionId>]

[...]

OK

- For <CmdType>=7: get information about "Refresh" (No action, "Refresh" done automatically by product).

*Action command*

**AT+STGI=<CmdType>**

+STGI: <RefreshType>

OK

- For <CmdType>=8: get information about "Send SS" (No action, "Send SS" done automatically by product).

```
Action command
AT+STGI=<CmdType>
+STGI: <TextInfo>
OK
```

- For <CmdType>=9: get information about "Send SMS" (No action, "Send SMS" done automatically by product).

```
Action command
AT+STGI=<CmdType>
+STGI: <TextInfo>
OK
```

- For <CmdType>=10: get information about "Send USSD" proactive command. (No action, "Send USSD" done automatically by product)

```
Action command
AT+STGI=<CmdType>
+STGI: <TextInfo>
OK
```

- For <CmdType>=11: get information about "Setup Event List".

```
Action command
AT+STGI=<CmdType>
+STGI: <Evt>
OK
```

- For <CmdType>=12: get information about "Setup Idle Mode Text".

```
Action command
AT+STGI=<CmdType>
+STGI: <Text>
OK
```

- For <CmdType>=13: get information about "Send DTMF".

```
Action command
AT+STGI=<CmdType>
+STGI: <TextInfo>
OK
```

- For <CmdType>=14: get information about "Language Notification".

*Action command*

**AT+STGI=<CmdType>**

+STGI: <Specific>[,<Code>]

OK

*Read command*

None

*Test command*

**AT+STGI=?**

+STGI: (list of supported <CmdType>s)

OK

### 19.4.3. Parameters and Defined Values

|                                       |                                                               |
|---------------------------------------|---------------------------------------------------------------|
| <b>&lt;Alpha Identifier menu&gt;:</b> | alpha identifier of the main menu<br>string type              |
| <b>&lt;Id&gt;:</b>                    | menu item Identifier<br>range: 1-255                          |
| <b>&lt;NbItems&gt;:</b>               | number of items in the main menu<br>range: 1-255              |
| <b>&lt;Alphald Label&gt;:</b>         | alpha identifier label of items<br>string type (ASCII format) |
| <b>&lt;HelpInfo&gt;:</b>              | help information availability                                 |
|                                       | 0 not available                                               |
|                                       | 1 available                                                   |
| <b>&lt;NextActionId&gt;:</b>          | next proactive command identifier<br>integer type             |
| <b>&lt;Prior&gt;:</b>                 | display priority                                              |
|                                       | 0 normal                                                      |
|                                       | 1 high                                                        |
| <b>&lt;Text&gt;:</b>                  | text to display<br>string type (ASCII format)                 |

|                             |                                                            |
|-----------------------------|------------------------------------------------------------|
| <b>&lt;ClearMode&gt;:</b>   | message clearing mode                                      |
| 0                           | clear message after a delay (3 seconds)                    |
| 1                           | wait for user to clear message                             |
| <b>&lt;InkeyFormat&gt;:</b> | "Get Inkey" format                                         |
| 0                           | Digit (0-9, *, #, and +)                                   |
| 1                           | SMS alphabet default                                       |
| 2                           | UCS2                                                       |
| 3                           | Yes/No (y and n)                                           |
| <b>&lt;Textinfo&gt;:</b>    | text information<br>string type (ASCII format)             |
| <b>&lt;InputFormat&gt;:</b> | "Get Input" format                                         |
| 0                           | digit (0-9, *, #, and +)                                   |
| 1                           | SMS alphabet default                                       |
| 2                           | UCS2                                                       |
| 3                           | unpacked format                                            |
| 4                           | packed format                                              |
| <b>&lt;EchoMode&gt;:</b>    | echo mode                                                  |
| 0                           | off                                                        |
| 1                           | on                                                         |
| <b>&lt;SizeMin&gt;:</b>     | minimum length of input<br>range: 1-255                    |
| <b>&lt;SizeMax&gt;:</b>     | maximum length of input<br>range: 1-255                    |
| <b>&lt;DefaultText&gt;:</b> | default input text<br>string type (ASCII format)           |
| <b>&lt;Type&gt;:</b>        | call behaviour                                             |
| 0                           | set up call but only if not currently busy on another call |
| 1                           | set up call, putting all other calls (if any) on hold      |
| 2                           | set up call, disconnecting all other calls (if any)        |
| <b>&lt;CalledNb&gt;:</b>    | called party number<br>string type (ASCII format)          |



|                              |                                                                                        |
|------------------------------|----------------------------------------------------------------------------------------|
| <b>&lt;SubAddress&gt;:</b>   | called party sub-address<br>string type (ASCII format)                                 |
| <b>&lt;Class&gt;:</b>        | call class                                                                             |
| 0                            | voice call                                                                             |
| 1                            | data call                                                                              |
| 2                            | fax call                                                                               |
| <b>&lt;Alpha Id&gt;:</b>     | text information for user confirmation phase<br>string type (ASCII format)             |
| <b>&lt;Alpha Id2&gt;:</b>    | text information for call set-up phase and calling phase<br>string type (ASCII format) |
| <b>&lt;ToneType&gt;:</b>     | tone type                                                                              |
| 0                            | dial                                                                                   |
| 1                            | busy                                                                                   |
| 2                            | congestion                                                                             |
| 3                            | radio ack                                                                              |
| 4                            | dropped                                                                                |
| 5                            | error                                                                                  |
| 6                            | call waiting                                                                           |
| 7                            | ringing                                                                                |
| 8                            | general beep                                                                           |
| 9                            | positive beep.                                                                         |
| 10                           | negative beep.                                                                         |
| <b>&lt;TimeUnit&gt;:</b>     | time unit for < TimeInterval>                                                          |
| 0                            | minutes                                                                                |
| 1                            | seconds                                                                                |
| 2                            | tenths of seconds                                                                      |
| <b>&lt;TimeInterval&gt;:</b> | time required for tone playing expressed in <TimeUnit><br>range: 1-255                 |
| <b>&lt;PresentStyle&gt;:</b> | presentation type                                                                      |
| 0                            | unspecified                                                                            |
| 1                            | specified in <PresentChoice>                                                           |

|                               |                                                                                                                                                                                                                                                        |
|-------------------------------|--------------------------------------------------------------------------------------------------------------------------------------------------------------------------------------------------------------------------------------------------------|
| <b>&lt;PresentChoice&gt;:</b> | presentation choice for <PresentStyle>=1                                                                                                                                                                                                               |
| 0                             | choice of data values                                                                                                                                                                                                                                  |
| 1                             | choice of navigation options                                                                                                                                                                                                                           |
| <b>&lt;DefaultItem&gt;:</b>   | default item identifier<br>range: 1-255                                                                                                                                                                                                                |
| <b>&lt;RefreshType&gt;:</b>   | refresh type                                                                                                                                                                                                                                           |
| 0                             | SIM initialization and full file change notification                                                                                                                                                                                                   |
| 1                             | file change notification                                                                                                                                                                                                                               |
| 2                             | SIM initialization and file change notification                                                                                                                                                                                                        |
| 3                             | SIM initialization                                                                                                                                                                                                                                     |
| 4                             | SIM reset                                                                                                                                                                                                                                              |
| <b>&lt;Evt&gt;:</b>           | setup event list                                                                                                                                                                                                                                       |
| 1                             | reporting asked for "Idle Screen"                                                                                                                                                                                                                      |
| 2                             | reporting asked for "User Activity"                                                                                                                                                                                                                    |
| 3                             | reporting asked for "Idle Screen" and "User Activity"                                                                                                                                                                                                  |
| 4                             | cancellation of reporting event                                                                                                                                                                                                                        |
| <b>&lt;Specific&gt;:</b>      | language notification type                                                                                                                                                                                                                             |
| 0                             | non specific                                                                                                                                                                                                                                           |
| 1                             | specific                                                                                                                                                                                                                                               |
| <b>&lt;Code&gt;:</b>          | 2 character code for the language<br>The number indicated after the name refers to numeric value for the language in ISO 639 <a href="#">[16]</a> .<br>If non-specific, no <Code> will be defined.<br>See <a href="#">Notes</a> for UCS2 format texts. |
| "de"                          | German (0)                                                                                                                                                                                                                                             |
| "en"                          | English (1)                                                                                                                                                                                                                                            |
| "it"                          | Italian (2)                                                                                                                                                                                                                                            |
| fr"                           | French (3)                                                                                                                                                                                                                                             |
| "es"                          | Spanish (4)                                                                                                                                                                                                                                            |
| "nl "                         | Dutch (5)                                                                                                                                                                                                                                              |
| "sv"                          | Swedish (6)                                                                                                                                                                                                                                            |

|      |                |
|------|----------------|
| "da" | Danish (7)     |
| "pt" | Portuguese (8) |
| "fi" | Finnish (9)    |
| "no" | Norwegian (10) |
| "el" | Greek (11)     |
| "tr" | Turkish (12)   |
| "hu" | Hungarian (13) |
| "pl" | Polish (14)    |
| "cs" | Czech (32)     |
| "he" | Hebrew (33)    |
| "ar" | Arabic (34)    |
| "ru" | Russian (35)   |
| "is" | Icelandic (36) |

### 19.4.4. Parameter Storage

None.

### 19.4.5. Examples

| Command                                          | Responses                                                                                                             |
|--------------------------------------------------|-----------------------------------------------------------------------------------------------------------------------|
|                                                  | +STIN: 0<br><i>Note: "Setup Menu" proactive command has been sent by the SIM.</i>                                     |
| <b>AT+STGI=0</b>                                 | +STGI: "SIM TOOLKIT MAIN MENU"<br>+STGI: 1, 3, "BANK", 0<br>+STGI: 2, 3, "QUIZ", 0<br>+STGI: 3, 3, "WEATHER", 0<br>OK |
| <i>Note: Get information about the main menu</i> | <i>Note: Main menu contains 3 items</i>                                                                               |

### 19.4.6. Notes

For the UCS2 format, texts are displayed in Hexa ASCII format. Example: when the SIM sends a TextString containing 0x00 0x41, the text displayed is "0041". (For details see section "3.6 Coding of Alpha fields in the SIM for UCS2" of the Appendixes)

## 19.5. SIM ToolKit Give Response +STGR



### 19.5.1. Description

This command allows the application/user to select an item in the main menu, or to answer the following proactive commands:

- GET INKEY                                      key pressed by the user
- GET INPUT                                      message entered by the user
- SELECT ITEM                                    selected item
- SETUP CALL                                    user confirmation
- DISPLAY TEXT                                  user confirmation to clear the message
- SETUP EVENT LIST                            reporting events
- SETUP IDLE MODE TEXT                    reporting events

It is also possible to terminate the current proactive command session by sending a Terminal Response to the SIM, with the following parameters:

- BACKWARD MOVE                              process a backward move
- BEYOND CAPABILITIES                      command beyond ME capabilities
- UNABLE TO PROCESS                        ME is currently unable to process
- NO RESPONSE                                no response from the user
- END SESSION                                 user abort

### 19.5.2. Syntax

#### *Action command*

```
AT+STGR=<CmdType>[ ,<Result>[ ,<Data>]]
```

```
[> <input text> <ctrl-Z/ESC>]
```

OK

#### *Read command*

None

*Test command*

**AT+STGR=?**

OK

### 19.5.3. Parameters and Defined Values

|                         |                                          |
|-------------------------|------------------------------------------|
| <b>&lt;CmdType&gt;:</b> | command type                             |
| 0                       | item selection in the main menu          |
| 1                       | user confirmation to clear a "DISP TEXT" |
| 2                       | response for a "GET INKEY"               |
| 3                       | response for a "GET INPUT"               |
| 4                       | response for a "SETUP CALL"              |
| 6                       | response for a "SEL ITEM"                |
| 11                      | response for a "SETUP EVENT LIST"        |
| 12                      | response for a "SETUP IDLE MODE TEXT"    |
| 95                      | send "BACKWARD MOVE" to SIM              |
| 96                      | send "BEYOND CAPABILITIES" to SIM        |
| 97                      | send "UNABLE TO PROCESS" to SIM          |
| 98                      | send "NO RESPONSE" to SIM                |
| 99                      | send "END SESSION" to SIM                |

- Values when <CmdType>=0 (Select an item from the main menu)

|                        |                                                                  |
|------------------------|------------------------------------------------------------------|
| <b>&lt;Result&gt;:</b> | user action                                                      |
| 1                      | item selected by the user                                        |
| 2                      | help information required by user                                |
| <b>&lt;Data&gt;:</b>   | item identifier of the item selected by the user<br>integer type |

- Values when <CmdType>=1 (Select an item from the main menu)

None.

- Values when <CmdType>=2 (GET INKEY, see [Notes](#))

|                        |                                        |
|------------------------|----------------------------------------|
| <b>&lt;Result&gt;:</b> | user action                            |
| 0                      | session ended by user                  |
| 1                      | response given by the user             |
| 2                      | help information required by user      |
| <b>&lt;Data&gt;:</b>   | key pressed by the user<br>string type |

- Values when <CmdType>=3 (GET INPUT, see [Notes](#))

|                            |                                   |
|----------------------------|-----------------------------------|
| <b>&lt;Result&gt;:</b>     | user action                       |
| 0                          | session ended by user             |
| 1                          | response given by the user        |
| 2                          | help information required by user |
| <b>&lt;input text&gt;:</b> | text sent by user<br>string type  |

- Values when <CmdType>=4 (SETUP CALL)

|                        |                                                                                                                                                    |
|------------------------|----------------------------------------------------------------------------------------------------------------------------------------------------|
| <b>&lt;Result&gt;:</b> | user action                                                                                                                                        |
| 0                      | user refuses the call                                                                                                                              |
| 1                      | user accepts call                                                                                                                                  |
| 2                      | user accepts call; call is started by applicative software<br><u><i>AirPrime SL808xT and Q2698 modules: This user action is not supported.</i></u> |

- Values when <CmdType>=6 (SELECT ITEM)

|                        |                                                      |
|------------------------|------------------------------------------------------|
| <b>&lt;Result&gt;:</b> | user action                                          |
| 0                      | session terminated by the user                       |
| 1                      | Item selected by the user                            |
| 2                      | help information required by the user                |
| 3                      | return to the back item                              |
| <b>&lt;Data&gt;:</b>   | item identifier selected by the user<br>integer type |

- Values when <CmdType>=11 (SETUP EVENT LIST)

|                        |  |                            |
|------------------------|--|----------------------------|
| <b>&lt;Result&gt;:</b> |  | user action                |
| 1                      |  | user selects idle screen   |
| 2                      |  | user selects user activity |

- Values when <CmdType>=12 (SETUP IDLE MODE TEXT)

|                        |  |                                                               |
|------------------------|--|---------------------------------------------------------------|
| <b>&lt;Result&gt;:</b> |  | user action                                                   |
| 0                      |  | user successfully integrates the idle mode text               |
| 1                      |  | user is not able to successfully integrate the idle mode text |

- For all other cases, no values are needed.

## 19.5.4. Parameter Storage

None.

## 19.5.5. Examples

| Command                | Responses                                                                                                                                                                              |
|------------------------|----------------------------------------------------------------------------------------------------------------------------------------------------------------------------------------|
|                        | +STIN: 0<br><i>Note: The main menu has been sent from the SIM.</i>                                                                                                                     |
| <b>AT+STGI=0</b>       | +STGI: 1, 3, "BANK", 0<br>+STGI: 2, 3, "QUIZ", 0<br>+STGI: 3, 3, "WEATHER", 0<br>OK<br><i>Note: Get information about the main menu</i><br><i>Note: The main menu contains 3 items</i> |
| <b>AT+STGR=0, 1, 1</b> | OK                                                                                                                                                                                     |
|                        | +STIN: 6<br><i>Note: The item 2 of the main menu has been selected.</i>                                                                                                                |
|                        | +STIN: 4                                                                                                                                                                               |
| <b>AT+STGI=4</b>       | +STGI: 0, "0146290800", "", 0<br>OK                                                                                                                                                    |
| <b>AT+STGR=4, 2</b>    | OK                                                                                                                                                                                     |

| Command                                                                  | Responses                                                                                                                                            |
|--------------------------------------------------------------------------|------------------------------------------------------------------------------------------------------------------------------------------------------|
| <b>ATD0146290800</b>                                                     | OK<br><br>+STIN: 99                                                                                                                                  |
| <b>AT+STGI=6</b><br><br><i>Note: Get information about the BANK menu</i> | +STGI: 1, "BANK"<br>+STGI: 1, 2, "PERSONAL ACCOUNT ENQUIRY", 1<br>+STGI: 2, 2, "NEWS", 0<br><br>OK<br><i>Note: The BANK menu contains two items.</i> |
| <b>AT+STGR=6, 1, 1</b>                                                   | OK<br><i>Note: Select Item 1</i>                                                                                                                     |
|                                                                          | +STIN: 99<br><i>Note: End of session</i>                                                                                                             |

## 19.5.6. Notes

- For a GET INKEY with format set to "Yes/No", the data shall contain:
  - the value "y" when the answer is "positive",
  - the value "n" when the answer is "negative".
- For inputs in UCS2 format, the data are entered in ASCII format. Example: For "8000410042FFFF" entered, the SIM receives 0x00 0x41 0x00 0x42 with UCS2 DCS. (about the different UCS2 syntaxes, please refer to section "Coding of Alpha fields in the SIM for UCS2" of the Appendixes to AT Commands Interface Guide).
- Comments upon Terminal Responses:
  - For the SETUP MENU Proactive Command, it is only possible to send a Terminal Response after the "+STIN: 0" indication, not after a "AT+STGI=0" request. For the other Proactive Commands, it is possible to send a Terminal Response after the "+STIN" indication or after the "+STGI" command.
  - All of the Terminal Responses are not possible with all of the Proactive Commands. Compatibility between available Terminal Responses and Proactive Commands is given in section "Support of SIM ToolKit by the M.E." of the Appendixes to AT Commands Interface Guide. If a Terminal Response is attempted during a incompatible Proactive Command session, a "+CME ERROR: 3" will be returned.
- If AT+STGR=4,2 command is sent to confirm a STK Setup Call, the applicative software must send the ATD command (using the call number given by AT+STGI=4 command) within a timeout value to define (check existing internal STK timeouts).



## 19.6. SIM ToolKit Control Response +STCR



### 19.6.1. Description

This Sierra Wireless proprietary unsolicited response allows the customer application to identify "Call Control" and "SMS Control" responses when an outgoing call is initiated or an outgoing SMS is sent and the call control facility is activated. This is also applicable to SS calls.

### 19.6.2. Syntax

*Action command*

None

*Read command*

None

*Test command*

None

*Unsolicited response*

+STCR: <Result>[, <Number>, <MODestAddr>, <TextInfo>]

### 19.6.3. Parameters and Defined Values

|                            |                                                                                  |
|----------------------------|----------------------------------------------------------------------------------|
| <b>&lt;Result&gt;:</b>     | SIM response to the operation                                                    |
| 0                          | control response not allowed                                                     |
| 1                          | control response with modification                                               |
| <b>&lt;Number&gt;:</b>     | called number, Service Center Address or SS String<br>string type (ASCII format) |
| <b>&lt;MODestAddr&gt;:</b> | MO destination address<br>string type (ASCII format)                             |

|                           |                                                |
|---------------------------|------------------------------------------------|
| <b>&lt;TextInfo&gt;</b> : | text information<br>string type (ASCII format) |
|---------------------------|------------------------------------------------|

## 19.6.4. Parameter Storage

None.

## 19.6.5. Examples

| Command                                                               | Responses                                                                                                                                                                                          |
|-----------------------------------------------------------------------|----------------------------------------------------------------------------------------------------------------------------------------------------------------------------------------------------|
|                                                                       | +STIN: 9<br><i>Note: "Send SMS" proactive command has been sent by the SIM.</i>                                                                                                                    |
| <b>AT+STGI=9</b><br><br><i>Note: get information about "Send SMS"</i> | +STGI: "Send SM"<br>+STCR: 1, "+112233445566779", "+012345679"<br>OK<br><i>Note: The "Send SMS" was allowed with modifications. The SC address was changed from +012345679 to +112233445566779</i> |
|                                                                       | +STIN: 99<br><i>Note: End of session</i>                                                                                                                                                           |

## 19.7. SIM ToolKit Indication +STRIL



### 19.7.1. Description

This Sierra Wireless proprietary command allows the customer application to exchange SIM ToolKit messages directly with the SIM card, using the unsolicited indication +STRIL to get the full command string.

### 19.7.2. Syntax

*Action command*

None

*Read command*

None

*Test command*

None

*Unsolicited response*

+STRIL: <CmdTreated>,<Command string>

### 19.7.3. Parameters and Defined Values

|                                                                                        |                                                       |
|----------------------------------------------------------------------------------------|-------------------------------------------------------|
| <b>&lt;CmdTreated&gt;:</b>                                                             |                                                       |
| 0                                                                                      | the command must be treated by the application        |
| 1                                                                                      | the command is already treated by the embedded module |
| <b>&lt;Command string&gt;:</b> SIM command string in hexadecimal format<br>string type |                                                       |

### 19.7.4. Parameter Storage

None.

## »» | 20. Supplementary Services Commands

### 20.1. List Current Calls +CLCC



#### 20.1.1. Description

This command is used to return the list of current calls.

#### 20.1.2. Syntax

*Action command*

**AT+CLCC**

[+CLCC: <id>,<dir>,<stat>,<mode>,<mpty>[,<number>,<type>[,<alpha>]]][...]

OK

*Read command*

**AT+CLCC?**

OK

*Test command*

**AT+CLCC=?**

OK

### 20.1.3. Parameters and Defined Values

|                        |                                                                                                         |
|------------------------|---------------------------------------------------------------------------------------------------------|
| <b>&lt;id&gt;:</b>     | call identification<br>integer type<br>range: 1-7                                                       |
| <b>&lt;dir&gt;:</b>    | call direction                                                                                          |
|                        | 0 mobile originated (MO) call                                                                           |
|                        | 1 mobile terminated (MT) call                                                                           |
| <b>&lt;stat&gt;:</b>   | call state                                                                                              |
|                        | 0 active                                                                                                |
|                        | 1 held                                                                                                  |
|                        | 2 dialing (MO call)                                                                                     |
|                        | 3 alerting (MO call)                                                                                    |
|                        | 4 incoming call (MT call)                                                                               |
|                        | 5 waiting call (MT call)                                                                                |
| <b>&lt;mode&gt;:</b>   | teleservice                                                                                             |
|                        | 0 voice                                                                                                 |
|                        | 1 data                                                                                                  |
|                        | 2 fax                                                                                                   |
|                        | 9 unknown                                                                                               |
| <b>&lt;mpy&gt;:</b>    | multiparty                                                                                              |
|                        | 0 call is not one of multiparty (conference) call parties                                               |
|                        | 1 call is one of multiparty (conference) call parties                                                   |
| <b>&lt;number&gt;:</b> | phone number in format specified by <type><br>string type                                               |
| <b>&lt;type&gt;:</b>   | TON/NPI Type of address octet (refer GSM 04.08 subclause 10.5.4.7 <a href="#">[6]</a> )<br>integer type |
|                        | 129 ISDN / telephony numbering plan, national / international unknown                                   |
|                        | 145 ISDN / telephony numbering plan, international number                                               |
|                        | 161 ISDN / telephony numbering plan, national number                                                    |
|                        | 128-255 other values (refer GSM 04.08 section 10.5.4.7 <a href="#">[6]</a> )                            |

|                        |                                                                                                                                                                                                                                                                              |
|------------------------|------------------------------------------------------------------------------------------------------------------------------------------------------------------------------------------------------------------------------------------------------------------------------|
| <b>&lt;alpha&gt;</b> : | <p>phonebook number entry</p> <p>optional alphanumeric representation of &lt;number&gt;, corresponding to the entry found in phonebook. (for UCS2 format see commands examples <a href="#">+CLIP</a>, <a href="#">+CCWA</a> or <a href="#">+COLP</a>)</p> <p>string type</p> |
|------------------------|------------------------------------------------------------------------------------------------------------------------------------------------------------------------------------------------------------------------------------------------------------------------------|

## 20.1.4. Parameter Storage

None.

## 20.1.5. Examples

| Command               | Responses                                                                                                 |
|-----------------------|-----------------------------------------------------------------------------------------------------------|
|                       | <p>RING</p> <p><i>Note: Incoming call</i></p>                                                             |
| <b>AT+CLCC</b>        | <p>+CLCC: 1,1,4,0,0,"0123456789",129</p> <p>OK</p>                                                        |
| <b>ATA</b>            | <p>OK</p> <p><i>Note: Answering the call</i></p>                                                          |
| <b>AT+CLCC</b>        | <p>+CLCC: 1,1,1,0,0,"0123456789",129</p> <p>OK</p>                                                        |
| <b>ATH</b>            | <p>OK</p> <p><i>Note: Releasing the call</i></p>                                                          |
| <b>ATD0123456789;</b> |                                                                                                           |
|                       | <p><i>Note: Outgoing call</i></p>                                                                         |
| <b>AT+CLCC</b>        | <p>+CLCC: 1,0,2,0,0,"0123456789",129</p> <p><i>Note: Before the called party is ringing</i></p> <p>OK</p> |
| <b>AT+CLCC</b>        | <p>+CLCC: 1,0,3,0,0,"0123456789",129</p> <p><i>Note: The called party is ringing</i></p> <p>OK</p>        |
|                       | <p>OK</p> <p><i>Note: Response to dial command</i></p>                                                    |
| <b>AT+CLCC</b>        | <p>+CLCC: 1,0,0,0,0,"0123456789",129</p> <p><i>Note: The call is being answered</i></p> <p>OK</p>         |

## 20.2. Call Related Supplementary Services +CHLD



### 20.2.1. Description

This command is used to manage call hold and multiparty conversation (conference call). Calls can be put on hold, recovered, released or added to a conversation.

Call hold and multiparty are only applicable to teleservice 11 (speech telephony).

### 20.2.2. Syntax

#### *Action command*

```
AT+CHLD=<n>
```

OK

#### *Read command*

```
AT+CHLD?
```

OK

#### *Test command*

```
AT+CHLD=?
```

```
+CHLD: (list of supported <n>s)
```

OK



### 20.2.3. Parameters and Defined Values

|      |                                                                                               |
|------|-----------------------------------------------------------------------------------------------|
| <n>: | call related services                                                                         |
| 0    | release all held calls or set User Determined User Busy (UDUB) for a waiting call.            |
| 1    | release all active calls (if any exist) and accepts the other (held or waiting) call.         |
| 1X   | release a specific call X (active, held or waiting).                                          |
| 2    | place all active calls (if any exist) on hold and accepts the other (held or waiting) call.   |
| 2X   | place all active calls on hold except call X with which communication is supported.           |
| 3    | add a held call to the conversation.                                                          |
| 4    | connect the two calls and disconnect the subscriber from both calls (Explicit Call Transfer). |

### 20.2.4. Parameter Storage

None.

### 20.2.5. Examples

| Command                                                                  | Responses                                                   |
|--------------------------------------------------------------------------|-------------------------------------------------------------|
| AT+CHLD=?                                                                | +CHLD: (0-4,11-17,21-27)<br>OK                              |
| ATD0123456789;                                                           | OK                                                          |
| +WIND: 5,1                                                               |                                                             |
| AT+CLCC                                                                  | +CLCC: 1,0,0,0,0,"0123456789",129<br>OK                     |
| +WIND: 5,2<br><i>Note: incoming call in waiting state</i>                |                                                             |
| AT+CLCC<br><i>Note: Com id 1 is active, com id 2 is in waiting state</i> | +CLCC: 1,0,0,0,0,"0123456789",129<br>+CLCC: 2,1,5,0,0<br>OK |
| AT+CHLD=2                                                                | OK                                                          |

| Command | Responses                                                                                                        |
|---------|------------------------------------------------------------------------------------------------------------------|
| AT+CLCC | +CLCC: 1,0,1,0,0,"0123456789",129<br>+CLCC: 2,1,0,0,0<br>OK<br><i>Note: Com id 1 is held, com id 2 is active</i> |

## 20.2.6. Notes

For AirPrime SL808xT: The command may answer "+CME ERROR: 3" if a waiting call is being disconnected using the "AT+CHLD=1X" command.

## 20.3. Calling Line Identification Presentation +CLIP



### 20.3.1. Description

This command enables the Calling Line Identification Presentation supplementary service. When presentation of the CLI is enabled (and the calling subscriber allows the function), +CLIP unsolicited response is returned after every RING (or +CRING) result code.

### 20.3.2. Syntax

#### *Action command*

```
AT+CLIP=<n>
```

```
OK
```

#### *Read command*

```
AT+CLIP?
```

```
+CLIP: <n>, <m>
```

```
OK
```

#### *Test command*

```
AT+CLIP=?
```

```
+CLIP: (list of supported <n>s)
```

```
OK
```

#### *Unsolicited response*

```
+CLIP: <number>, <type>[, <subaddr>, <satype>[, [<alpha>] [, <CLI validity>]]]
```

### 20.3.3. Parameters and Defined Values

|                              |                                                                                                                                            |
|------------------------------|--------------------------------------------------------------------------------------------------------------------------------------------|
| <b>&lt;n&gt;:</b>            | CLIP mode in the TA                                                                                                                        |
| 0                            | disable (default value)                                                                                                                    |
| 1                            | enable                                                                                                                                     |
| <b>&lt;m&gt;:</b>            | subscriber CLIP service status in the network                                                                                              |
| 0                            | CLIP not provisioned                                                                                                                       |
| 1                            | CLIP provisioned                                                                                                                           |
| 2                            | unknown (no network...)                                                                                                                    |
| <b>&lt;number&gt;:</b>       | phone number<br>string type                                                                                                                |
| <b>&lt;type&gt;:</b>         | TON/NPI type of address octet for <number>. (refer to GSM 04.08 subclause 10.5.4.7 <a href="#">[6]</a> )<br>integer type                   |
| 129                          | ISDN / telephony numbering plan, national / international unknown<br><number> does not include the international access code character "+" |
| 145                          | ISDN / telephony numbering plan, international number<br><number> includes the international access code character "+"                     |
| 161                          | ISDN / telephony numbering plan, national number                                                                                           |
| 128-255                      | other values (refer GSM 04.08 section 10.5.4.7 <a href="#">[6]</a> )                                                                       |
| <b>&lt;subaddr&gt;</b>       | not supported                                                                                                                              |
| <b>&lt;satype&gt;:</b>       | not supported                                                                                                                              |
| <b>&lt;alpha&gt;:</b>        | phonebook name associated with <number><br>string type                                                                                     |
| <b>&lt;CLI validity&gt;:</b> | not supported                                                                                                                              |

### 20.3.4. Parameter Storage

The <n> parameter is stored in EEPROM using AT&W command. The default value can be restored using AT&F.

## 20.3.5. Examples

| Command                                                       | Responses                                                                                                                                                           |
|---------------------------------------------------------------|---------------------------------------------------------------------------------------------------------------------------------------------------------------------|
| <b>AT+CLIP=1</b><br><i>Note: Enable CLIP</i>                  | OK                                                                                                                                                                  |
| <b>AT+CLIP?</b><br><i>Note: Ask for current functionality</i> | +CLIP: 1, 1<br>OK<br><i>Note: CLIP is enabled and provisioned</i>                                                                                                   |
|                                                               | RING<br><i>Note: Incoming call</i><br>+CLIP: "0146290800", 129, 1, , "FRED"<br><i>Note: Incoming call with number and name presentation</i>                         |
|                                                               | RING<br><i>Note: Incoming call</i><br>+CLIP: "0146290800", 129, 1, , "8000204212FFFF"<br><i>Note: Incoming call with number and name presentation (UCS2 format)</i> |
|                                                               | RING<br><i>Note: Incoming call</i><br>+CLIP: "0146290800", 161<br><i>Note: Incoming call not found in any phonebook</i>                                             |
| <b>AT+CLIP=?</b>                                              | +CLIP: (0-1)<br>OK                                                                                                                                                  |

## 20.4. Calling Line Identification Restriction +CLIR



### 20.4.1. Description

This command enables the Calling Line Identification Restriction supplementary service.

### 20.4.2. Syntax

*Action command*

```
AT+CLIR=<n>
```

OK

*Read command*

```
AT+CLIR?
```

```
+CLIR: <n>, <m>
```

OK

*Test command*

```
AT+CLIR=?
```

```
+CLIR: (list of supported <n>s)
```

OK

### 20.4.3. Parameters and Defined Values

|                   |                                                                                                   |
|-------------------|---------------------------------------------------------------------------------------------------|
| <b>&lt;n&gt;:</b> | CLIR mode for outgoing calls                                                                      |
| 0                 | Presentation indicator is used according to the subscription of the CLIR service. (default value) |
| 1                 | CLIR invocation                                                                                   |
| 2                 | CLIR suppression                                                                                  |

|                    |                                             |
|--------------------|---------------------------------------------|
| <b>&lt;m&gt;</b> : | subscriber CLIR status in the network       |
| 0                  | CLIR not provisioned                        |
| 1                  | CLIR provisioned in permanent mode          |
| 2                  | unknown (no network...)                     |
| 3                  | CLIR temporary mode presentation restricted |
| 4                  | CLIR temporary mode presentation allowed    |

### 20.4.4. Parameter Storage

The <n> parameter is stored in EEPROM without using AT&W command.

### 20.4.5. Examples

| Command                                                       | Responses          |
|---------------------------------------------------------------|--------------------|
| <b>AT+CLIR=2</b>                                              | OK                 |
| <b>AT+CLIR?</b><br><i>Note: Ask for current functionality</i> | +CLIR: 2,4<br>OK   |
| <b>AT+CLIR=?</b>                                              | +CLIR: (0-2)<br>OK |

## 20.5. Connected Line Identification Presentation +COLP



### 20.5.1. Description

This command enables the COnnected Line identification Presentation supplementary service. This can be useful for call forwarding of the connected line. When presentation of the connected line identification is enabled (and the calling subscriber allows the function), +COLP unsolicited response is returned in response of an ATD command.

### 20.5.2. Syntax

#### *Action command*

```
AT+COLP=<n>
```

```
OK
```

#### *Read command*

```
AT+COLP?
```

```
+COLP: <n>, <m>
```

```
OK
```

#### *Test command*

```
AT+COLP=?
```

```
+COLP: (list of supported <n>s)
```

```
OK
```

#### *Unsolicited response*

```
+COLP: <number>, <type> [, <subaddr>, <satype> [, <alpha> ] ]
```



### 20.5.3. Parameters and Defined Values

|                        |                                                                                                                                             |
|------------------------|---------------------------------------------------------------------------------------------------------------------------------------------|
| <b>&lt;n&gt;:</b>      | parameter sets/shows the result code presentation status in the TA                                                                          |
| 0                      | disable (default value)                                                                                                                     |
| 1                      | enable                                                                                                                                      |
| <b>&lt;m&gt;:</b>      | parameter shows the subscriber COLP service status in the network                                                                           |
| 0                      | COLP not provisioned                                                                                                                        |
| 1                      | COLP provisioned                                                                                                                            |
| 2                      | unknown (no network)                                                                                                                        |
| <b>&lt;number&gt;:</b> | phone number<br>string type                                                                                                                 |
| <b>&lt;type&gt;:</b>   | TON/NPI Type of address octet for <number> (refer GSM 04.08 subclause 10.5.4.7 <a href="#">[6]</a> )<br>integer type                        |
| 129                    | ISDN / telephony numbering plan, national / international unknown<br><number> does not include the international access code character "+"  |
| 145                    | ISDN / telephony numbering plan, international number<br><number> includes the international access code character "+"                      |
| 161                    | ISDN / telephony numbering plan, national number                                                                                            |
| 128-255                | other values (refer GSM 04.08 section 10.5.4.7 <a href="#">[6]</a> )                                                                        |
| <b>&lt;subaddr&gt;</b> | subaddress<br>string type                                                                                                                   |
| <b>&lt;satype&gt;:</b> | TON/NPI Type of address octet for <subaddr> (refer GSM 04.08 subclause 10.5.4.7 <a href="#">[6]</a> )<br>integer type                       |
| 129                    | ISDN / telephony numbering plan, national / international unknown<br><subaddr> does not include the international access code character "+" |
| 145                    | ISDN / telephony numbering plan, international number<br><subaddr> includes the international access code character "+".                    |
| 161                    | ISDN / telephony numbering plan, national number                                                                                            |
| 128-255                | other values (refer GSM 04.08 section 10.5.4.7 <a href="#">[6]</a> )                                                                        |
| <b>&lt;alpha&gt;:</b>  | phonebook name associated with <number><br>string type                                                                                      |

## 20.5.4. Parameter Storage

The <n> parameter is stored in EEPROM using the AT&W command. The default value can be restored using AT&F.

## 20.5.5. Examples

| Command                                                       | Responses                                                                                                                                                                                                                                 |
|---------------------------------------------------------------|-------------------------------------------------------------------------------------------------------------------------------------------------------------------------------------------------------------------------------------------|
| <b>AT+COLP=1</b><br><i>Note: Activate COLP</i>                | OK                                                                                                                                                                                                                                        |
| <b>AT+COLP?</b><br><i>Note: Ask for current functionality</i> | +COLP:1,1<br>OK<br><i>Note: COLP is enabled and provisioned</i>                                                                                                                                                                           |
| <b>ATD146290800;</b><br><br><i>Note: Outgoing call</i>        | +COLP: "0146290800",129,, "SIERRA WIRELESS"<br><i>or</i><br>+COLP: "0146290800",129,1,, "8000204212FFFF"<br>OK<br><br><i>Note:</i><br><i>"8000204212FFFF": UCS2 format</i><br><i>Connected outgoing line number and name presentation</i> |
| <b>AT+COLP=?</b>                                              | +COLP: (0-1)<br>OK                                                                                                                                                                                                                        |

## 20.6. Supplementary Service Notifications +CSSN



### 20.6.1. Description

This command allows to configure the supplementary service related network initiated notifications.

### 20.6.2. Syntax

#### *Action command*

```
AT+CSSN=<n>,<m>
```

```
OK
```

#### *Read command*

```
AT+CSSN?
```

```
+CSSN: <n>,<m>
```

```
OK
```

#### *Test command*

```
AT+CSSN=?
```

```
+CSSN: (list of supported <n>s),(list of supported <m>s)
```

```
OK
```

#### *Intermediate response*

```
+CSSI: <code1>[,<index>]
```

---

**Note:** +CSSI becomes a unsolicited response in the case of +WBHV: 2,1.

---

#### *Unsolicited response*

```
+CSSU: <code2>[,<index>[,<number>,<type>]]
```

### 20.6.3. Parameters and Defined Values

|                       |                         |                                                                                                                                                                                           |
|-----------------------|-------------------------|-------------------------------------------------------------------------------------------------------------------------------------------------------------------------------------------|
| <b>&lt;n&gt;:</b>     |                         | MO supplementary service notification                                                                                                                                                     |
|                       | 0                       | disable (default value)                                                                                                                                                                   |
|                       | 1                       | enable<br>When a supplementary service notification is received after a mobile originated call setup, intermediate result code +CSSI is sent before any other MO call setup result codes. |
|                       |                         |                                                                                                                                                                                           |
| <b>&lt;m&gt;:</b>     |                         | MT supplementary service notification                                                                                                                                                     |
|                       | 0                       | disable (default value)                                                                                                                                                                   |
|                       | 1                       | enable<br>When a supplementary service notification is received during a call, unsolicited result code +CSSU is sent.                                                                     |
|                       |                         |                                                                                                                                                                                           |
| <b>&lt;code1&gt;:</b> |                         | manufacturer specific service code                                                                                                                                                        |
|                       | 0                       | unconditional call forwarding is active                                                                                                                                                   |
|                       | 1                       | some of the conditional call forwarding are active                                                                                                                                        |
|                       | 2                       | call has been forwarded                                                                                                                                                                   |
|                       | 3                       | call is waiting                                                                                                                                                                           |
|                       | 4                       | Closed User Group call, with CUG <index>                                                                                                                                                  |
|                       | 5                       | outgoing calls are barred                                                                                                                                                                 |
|                       | 6                       | incoming calls are barred                                                                                                                                                                 |
|                       | 7                       | CLIR suppression rejected                                                                                                                                                                 |
| 8                     | call has been deflected |                                                                                                                                                                                           |

|                        |                                                                                                                                                        |
|------------------------|--------------------------------------------------------------------------------------------------------------------------------------------------------|
| <b>&lt;code2&gt;:</b>  | service code                                                                                                                                           |
| 0                      | forwarded call (MT call setup)                                                                                                                         |
| 1                      | closed user Group call, with CUG <index>                                                                                                               |
| 2                      | call has been put on hold (during a voice call, <number> & <type> fields may be present)                                                               |
| 3                      | call has been retrieved (during a voice call, <number> & <type> fields may be present)                                                                 |
| 4                      | multiparty call entered (during a voice call, <number> & <type> fields may be present)                                                                 |
| 5                      | call on hold has been released (during a voice call)                                                                                                   |
| 7                      | call is being connected (alerting) with the remote party in alerting state in Explicit Call Transfer operation (during a voice call)                   |
| 8                      | call has been connected with the other remote party in Explicit Call Transfer operation (during a voice call, <number> & <type> fields may be present) |
| 9                      | this is a deflected call (MT call setup)                                                                                                               |
| 10                     | additional incoming call forwarded                                                                                                                     |
| <b>&lt;index&gt;:</b>  | closed user group<br>string type                                                                                                                       |
| <b>&lt;number&gt;:</b> | phone number<br>string type                                                                                                                            |
| <b>&lt;type&gt;:</b>   | TON/NPI Type of address octet of <number> (refer GSM 04.08 subclause 10.5.4.7 <a href="#">[6]</a> )<br>integer type                                    |
| 129                    | ISDN / telephony numbering plan, national / international unknown                                                                                      |
| 145                    | ISDN / telephony numbering plan, international number                                                                                                  |
| 161                    | ISDN / telephony numbering plan, national number                                                                                                       |
| 128-255                | other values (refer GSM 04.08 section 10.5.4.7 <a href="#">[6]</a> )                                                                                   |

## 20.6.4. Parameter Storage

The <n> and <m> parameters are stored in EEPROM using AT&W command. The default value can be restored using AT&F command.

## 20.6.5. Examples

| Command                                                                            | Responses                                                           |
|------------------------------------------------------------------------------------|---------------------------------------------------------------------|
| AT+CSSN=?                                                                          | +CSSN: (0-1), (0-1)<br>OK                                           |
| AT+CSSN?                                                                           | +CCSN: 0,0<br>OK                                                    |
| AT+CSSN=0,1                                                                        | OK                                                                  |
| ATD0123456789;                                                                     | OK                                                                  |
|                                                                                    | +CCWA: "9876543210",128,1<br><i>Note: Call waiting</i>              |
| AT+CHLD=2<br><i>Note: Accept the waiting call and place the active one on hold</i> | OK                                                                  |
|                                                                                    | +CSSU: 5<br><i>Note: The held call was released (by the remote)</i> |

## 20.7. Unstructured Supplementary Service Data +CUSD



### 20.7.1. Description

This command is used to:

- enable or disable the CUSD indication sent to the application by the product when an incoming USSD is received
- send and receive USSD strings

---

*Note:* The USSD supplementary service is described in GSM 02.90 [24]. It is based on sequences of digits which may be entered by a mobile user with a handset. A sequence entered is sent to the network which replies with an alphanumerical string, for display only, or for display plus request for the next sequence

---

### 20.7.2. Syntax

- to enable disable

#### Action command

```
AT+CUSD=<n>[,<str>[<dcs>]]
```

```
OK
```

#### Read command

```
AT+CUSD?
```

```
+CUSD: <n>
```

```
OK
```

#### Test command

```
AT+CUSD=?
```

```
+CUSD: (list of supported<n>s)
```

```
OK
```

#### Unsolicited response

```
+CUSD: <m>[,<str>[,<dcs>]]
```

### 20.7.3. Parameters and Defined Values

|                     |                                                                                                                                    |
|---------------------|------------------------------------------------------------------------------------------------------------------------------------|
| <b>&lt;n&gt;:</b>   | requested operation                                                                                                                |
| 0                   | disable the result code presentation (default value)                                                                               |
| 1                   | enable the result code presentation                                                                                                |
| 2                   | cancel session (not applicable to read command response)                                                                           |
| <b>&lt;m&gt;:</b>   | USSD status                                                                                                                        |
| 0                   | no further user action required (network initiated USSD-Notify, or no further information needed after mobile initiated operation) |
| 1                   | further user action required (network initiated USSD-Request, or further information needed after mobile initiated operation)      |
| 2                   | USSD terminated by network                                                                                                         |
| 3                   | other local client has responded                                                                                                   |
| 4                   | operation not supported                                                                                                            |
| 5                   | network timeout                                                                                                                    |
| <b>&lt;str&gt;:</b> | USSD string<br>converted in the selected character set (please refer to +CSCS)<br>string type                                      |
| <b>&lt;dcs&gt;:</b> | data coding scheme<br>integer type<br>Refer to <a href="#">[5]</a> for more information.                                           |

### 20.7.4. Parameter Storage

The <n> parameter is stored in EEPROM without using AT&W. The default value can be restored using AT&F command.



## 20.7.5. Examples

| Command           | Responses                                                                      |
|-------------------|--------------------------------------------------------------------------------|
| AT+CUSD=?         | +CUSD: (0-2)<br>OK                                                             |
| AT+CUSD=1,"#123#" | OK                                                                             |
|                   | +CUSD: 1,"02/08 report:0h04mn00s",15<br><i>Note: USSD reponse from network</i> |
| AT+CUSD?          | +CUSD: 1<br>OK                                                                 |

## 20.8. Call Forwarding +CCFC



### 20.8.1. Description

This command allows control of the call forwarding supplementary service.

### 20.8.2. Syntax

#### *Action command*

```
AT+CCFC=<reason>,<mode>[,<number>[,<type>[,<class>[,<subaddr>[,<satype>[,<time>]]]]]]]
```

```
[+CCFC: <status>,<class>[,<number>,<type>[,<subaddr>,<satype>[,<time>]]]] [...]
```

OK

#### *Read command*

None

#### *Test command*

```
AT+CCFC=?
```

```
+CCFC: (list of supported <reason>s)
```

OK

### 20.8.3. Parameters and Defined Values

|                        |                                                                                                                                                                                                           |
|------------------------|-----------------------------------------------------------------------------------------------------------------------------------------------------------------------------------------------------------|
| <b>&lt;reason&gt;:</b> | call forwarding reason                                                                                                                                                                                    |
| 0                      | unconditional                                                                                                                                                                                             |
| 1                      | mobile busy                                                                                                                                                                                               |
| 2                      | no reply                                                                                                                                                                                                  |
| 3                      | not reachable                                                                                                                                                                                             |
| 4                      | all call forwarding                                                                                                                                                                                       |
| 5                      | all conditional call forwarding                                                                                                                                                                           |
| <b>&lt;mode&gt;:</b>   | requested operation                                                                                                                                                                                       |
| 0                      | disable                                                                                                                                                                                                   |
| 1                      | enable                                                                                                                                                                                                    |
| 2                      | interrogate                                                                                                                                                                                               |
| 3                      | registration                                                                                                                                                                                              |
| 4                      | erasure unconditional                                                                                                                                                                                     |
| <b>&lt;number&gt;:</b> | phone number<br>string type                                                                                                                                                                               |
| <b>&lt;type&gt;:</b>   | TON/NPI Type of address octet. (refer GSM 04.08 subclause 10.5.4.7 <a href="#">[6]</a> ); default 145 when dialing string includes international access code character "+", otherwise 129<br>integer type |
| 129                    | ISDN / telephony numbering plan, national / international unknown<br><number> does not include the international access code character "+"                                                                |
| 145                    | ISDN / telephony numbering plan, international number<br><number> includes the international access code character "+"                                                                                    |
| 161                    | ISDN / telephony numbering plan, national number                                                                                                                                                          |
| 128-255                | other values (refer GSM 04.08 section 10.5.4.7 <a href="#">[6]</a> )                                                                                                                                      |

|                                                                                                                                              |  |                                                                                                                                                                   |
|----------------------------------------------------------------------------------------------------------------------------------------------|--|-------------------------------------------------------------------------------------------------------------------------------------------------------------------|
| <b>&lt;class&gt;:</b>                                                                                                                        |  | call class                                                                                                                                                        |
| The combination of different classes is not supported, it will only result in the activation/deactivation/status request of all classes (7). |  |                                                                                                                                                                   |
| 1                                                                                                                                            |  | voice                                                                                                                                                             |
| 2                                                                                                                                            |  | data                                                                                                                                                              |
| 4                                                                                                                                            |  | fax                                                                                                                                                               |
| 7                                                                                                                                            |  | voice, data and fax (default value if omitted)                                                                                                                    |
| 8                                                                                                                                            |  | short messages                                                                                                                                                    |
| <b>&lt;subaddr&gt;:</b>                                                                                                                      |  | not supported                                                                                                                                                     |
| <b>&lt;satype&gt;:</b>                                                                                                                       |  | not supported                                                                                                                                                     |
| <b>&lt;time&gt;:</b>                                                                                                                         |  | time to wait                                                                                                                                                      |
| 1-30                                                                                                                                         |  | for <reason> = 2 (No reply), 4 (all calls forwarding) and 5 (all conditional call forwarding), (1 to 30) in seconds before call is forwarded<br>default value: 20 |
| <b>&lt;status&gt;:</b>                                                                                                                       |  | call forwarding status                                                                                                                                            |
| 0                                                                                                                                            |  | not active                                                                                                                                                        |
| 1                                                                                                                                            |  | active                                                                                                                                                            |

## 20.8.4. Parameter Storage

None.

## 20.8.5. Examples

| Command                                                                                                      | Responses                                                                        |
|--------------------------------------------------------------------------------------------------------------|----------------------------------------------------------------------------------|
| <b>AT+CCFC=0,3,"0146290800"</b><br><i>Note: Register to an unconditional call forwarding for all classes</i> | OK                                                                               |
| <b>AT+CCFC=0,2</b><br><i>Note: Interrogate unconditional call forwarding</i>                                 | +CCFC: 1,1,"0146290800",129<br><i>Note: Call forwarding active for voice</i>     |
|                                                                                                              | +CCFC: 1,2,"0146290800",129<br><i>Note: Call forwarding active for data</i>      |
|                                                                                                              | +CCFC: 1,4,"0146290800",129<br>OK<br><i>Note: Call forwarding active for fax</i> |
| <b>AT+CCFC=0,4</b><br><i>Note: Erase unconditional call forwarding</i>                                       | OK                                                                               |

## 20.8.6. Notes

If the FDN phonebook is activated, the registration is restricted to the phone numbers written in it.

## 20.9. Call Waiting +CCWA



### 20.9.1. Description

This command allows to control the call waiting supplementary service.

The product will send a +CCWA unsolicited result code when the call waiting service is enabled.

### 20.9.2. Syntax

#### *Action command*

```
AT+CCWA=<n>, [<mode>[ ,<class>]]
```

```
[+CCWA:<status>,<class>[...]]
```

```
OK
```

#### *Read command*

```
AT+CCWA?
```

```
+CCWA: <n>
```

```
OK
```

#### *Test command*

```
AT+CCWA=?
```

```
+CCWA: (list of supported <n>s)
```

```
OK
```

#### *Unsolicited response*

```
+CCWA: <number>,<type>[ ,<class>] [ ,<alpha>]
```

### 20.9.3. Parameters and Defined Values

|                        |         |                                                                                                                                                                |
|------------------------|---------|----------------------------------------------------------------------------------------------------------------------------------------------------------------|
| <b>&lt;n&gt;:</b>      |         | result code presentation status in the TA                                                                                                                      |
|                        | 0       | disable                                                                                                                                                        |
|                        | 1       | enable                                                                                                                                                         |
| <b>&lt;mode&gt;:</b>   |         |                                                                                                                                                                |
|                        | 0       | disable                                                                                                                                                        |
|                        | 1       | enable                                                                                                                                                         |
|                        | 2       | query                                                                                                                                                          |
| <b>&lt;number&gt;:</b> |         | phone number in ASCII format<br>string type                                                                                                                    |
| <b>&lt;type&gt;:</b>   |         | TON/NPI Type of address octet for <number>. (refer GSM 04.08 subclause 10.5.4.7 <a href="#">[6]</a> )<br>integer type                                          |
|                        | 129     | ISDN / telephony numbering plan, national / international unknown                                                                                              |
|                        | 145     | ISDN / telephony numbering plan, international number                                                                                                          |
|                        | 161     | ISDN / telephony numbering plan, national number                                                                                                               |
|                        | 128-255 | other values (refer GSM 04.08 section 10.5.4.7 <a href="#">[6]</a> )                                                                                           |
| <b>&lt;class&gt;:</b>  |         | call class<br><br>The combination of different classes is not supported. It will only result in the activation/deactivation/status request of all classes (7). |
|                        | 1       | voice                                                                                                                                                          |
|                        | 2       | data                                                                                                                                                           |
|                        | 4       | fax                                                                                                                                                            |
|                        | 7       | voice, data and fax (default value if omitted)                                                                                                                 |
|                        | 8       | short messages                                                                                                                                                 |
| <b>&lt;status&gt;:</b> |         | call waiting status                                                                                                                                            |
|                        | 0       | not active                                                                                                                                                     |
|                        | 1       | active                                                                                                                                                         |
| <b>&lt;alpha&gt;:</b>  |         | phonebook name associated with <number><br>string type                                                                                                         |

## 20.9.4. Parameter Storage

The <n> parameter is stored in EEPROM without using AT&W command. The default value can be restored using AT&F

## 20.9.5. Examples

| Command                                                           | Responses                                                                                                         |
|-------------------------------------------------------------------|-------------------------------------------------------------------------------------------------------------------|
| AT+CCWA=?                                                         | +CCWA: (0,1)<br>OK                                                                                                |
| AT+CCWA=1,1,1<br><i>Note: Enable call waiting for voice calls</i> | OK                                                                                                                |
| AT+CCWA=1,2<br><i>Note: Interrogate call waiting</i>              | +CCWA:1,1<br>OK<br><i>Note: Call waiting active for voice calls</i>                                               |
|                                                                   | +CCWA:"0146290800",145,1,<br>"FREDDY"<br><i>Note: Number and name of the waiting voice call</i>                   |
|                                                                   | +CCWA:"0146290800",145,1,"8023459678FFFF"<br><i>Note: Number and name of the waiting voice call (UCS2 format)</i> |
| AT+CCWA=1,0,7<br><i>Note: Erase call waiting</i>                  | OK                                                                                                                |



## 20.10. Keypad Control +CKPD



### 20.10.1. Description

This command emulates the ME keypad by sending each keystroke as a character in a <keys> string.

The supported GSM sequences are listed in the Appendixes.

If emulation fails, a "+CME ERROR: <err>" is returned.

If emulation succeeds, the result depends on the GSM sequence activated.

### 20.10.2. Syntax

#### *Action command*

```
AT+CKPD=<keys>
```

Depending of <keys>

OK

#### *Read command*

None

#### *Test command*

```
AT+CKPD=?
```

+CKPD: (list of supported <keys>)

OK

### 20.10.3. Parameters and Defined Values

|                      |                                                                      |
|----------------------|----------------------------------------------------------------------|
| <b>&lt;keys&gt;:</b> | keyboard sequence<br>string of the following characters<br>(0-9,*,#) |
|----------------------|----------------------------------------------------------------------|

### 20.10.4. Parameter Storage

None.

## 20.10.5. Examples

| Command                                                                   | Responses     |
|---------------------------------------------------------------------------|---------------|
| <b>AT+CKPD="*#21#"</b><br><i>Note: Check every call forwarding status</i> | OK            |
| <b>AT+CKPD="1234"</b><br><i>Note: Sequence not allowed</i>                | +CME ERROR: 3 |

## 20.10.6. Notes

In the case where the FDN phonebook is activated, the sequences concerning "call forwarding" are allowed only if the entire sequence is written in the FDN.

---

*Note: Keypad feature is not supported for AirPrime SL808xT, SL3010T and Q2698 embedded modules.*

---

## 20.11. Advice Of Charge +CAOC



### 20.11.1. Description

This commands allows to configure the Advice Of Charge (AOC) supplementary service (GSM 02.24 [22] and GSM 02.86 [23] ) which enables the subscriber to obtain information on call cost.

### 20.11.2. Syntax

#### *Action command*

```
AT+CAOC=<mode>
```

```
[+CAOC: <ccm>]
```

```
OK
```

#### *Read command*

```
AT+CAOC?
```

```
+CAOC: <mode>
```

```
OK
```

#### *Test command*

```
AT+CAOC=?
```

```
+CAOC: (list of supported <mode>s)
```

```
OK
```

#### *Unsolicited response*

```
+CCCM: <ccm>
```

### 20.11.3. Parameters and Defined Values

|                      |                                                                                                                                                                                                                    |
|----------------------|--------------------------------------------------------------------------------------------------------------------------------------------------------------------------------------------------------------------|
| <b>&lt;mode&gt;:</b> | requested operation                                                                                                                                                                                                |
| 0                    | query CCM value                                                                                                                                                                                                    |
| 1                    | deactivate the unsolicited reporting of CCM value (default value)                                                                                                                                                  |
| 2                    | activate the unsolicited reporting of CCM value                                                                                                                                                                    |
| <b>&lt;ccm&gt;:</b>  | current call meter value                                                                                                                                                                                           |
|                      | three bytes of the current call meter value in hexadecimal format (e.g. "00001E" corresponds to the decimal value 30). The value is in home units and bytes are coded in a similar way as the ACMmax value in SIM. |
|                      | string type                                                                                                                                                                                                        |

### 20.11.4. Parameter Storage

The <mode> parameter is stored in EEPROM using the AT&W command. The default value can be restored using AT&F.

### 20.11.5. Examples

| Command                                                                         | Responses                                                              |
|---------------------------------------------------------------------------------|------------------------------------------------------------------------|
| <b>AT+CAOC=?</b><br><br><i>Note: Request supported modes</i>                    | +CAOC: (0-2)<br>OK<br><br><i>Note: 0, 1, 2 modes supported</i>         |
| <b>AT+CAOC=0</b><br><br><i>Note: Query CCM value</i>                            | +CAOC: "000A08"<br>OK<br><br><i>Note: Display CCM value (CCM=2568)</i> |
| <b>AT+CAOC=1</b><br><br><i>Note: Deactivate unsolicited report of CCM value</i> | OK<br><br><i>Note: CCM report deactivated</i>                          |
| <b>AT+CAOC=2</b><br><br><i>Note: Activate unsolicited report of CCM value</i>   | OK<br><br><i>Note: CCM report activated</i>                            |
| <b>AT+CAOC?</b>                                                                 | +CAOC: 2<br>OK                                                         |
|                                                                                 | +CCCM: "000A09"<br><br><i>Note: Unsolicited CCM value</i>              |

## 20.12. Accumulated Call Meter +CACM



### 20.12.1. Description

This command resets the Advice Of Charge for Accumulated Call Meter (ACM) value in SIM file EF-ACM. The ACM contains the total number of home units for both the current and preceding calls. SIM PIN2 is required to reset the value.

### 20.12.2. Syntax

#### *Action command*

```
AT+CACM=<pin2passwd>
```

OK

#### *Read command*

```
AT+CACM?
```

```
+CACM: <acm>
```

OK

#### *Test command*

```
AT+CACM=?
```

OK

### 20.12.3. Parameters and Defined Values

|                            |                                                     |
|----------------------------|-----------------------------------------------------|
| <b>&lt;pin2passwd&gt;:</b> | Personal Identification Number 2.<br>8 digit number |
|----------------------------|-----------------------------------------------------|

|                     |                                                                                                                                                                                                                                                                            |
|---------------------|----------------------------------------------------------------------------------------------------------------------------------------------------------------------------------------------------------------------------------------------------------------------------|
| <b>&lt;acm&gt;:</b> | <p>Accumulated Call Meter</p> <p>three bytes of the current call meter value in hexadecimal format (e.g. "00001E" corresponds to the decimal value 30). The value is in home units and bytes are coded in a similar way as the ACMmax value in SIM.</p> <p>string type</p> |
|---------------------|----------------------------------------------------------------------------------------------------------------------------------------------------------------------------------------------------------------------------------------------------------------------------|

## 20.12.4. Parameter Storage

None.

## 20.12.5. Examples

| Command                                                                        | Responses                                                                  |
|--------------------------------------------------------------------------------|----------------------------------------------------------------------------|
| <b>AT+CACM?</b><br><br><i>Note: Request ACM value</i>                          | +CACM: "000400"<br><br>OK<br><br><i>Note: Display ACM value (ACM=1024)</i> |
| <b>AT+CACM=1234</b><br><br><i>Note: Request ACM reset, real PIN2 is "1234"</i> | OK<br><br><i>Note: ACM value is reset</i>                                  |
| <b>AT+CACM?</b><br><br><i>Note: Request ACM value</i>                          | +CACM: "000000"<br><br>OK<br><br><i>Note: Display ACM value (ACM = 0)</i>  |

## 20.13. Accumulated Call Meter Maximum +CAMM



### 20.13.1. Description

The set command sets the Advice Of Charge related to Accumulated Call Meter maximum value in SIM file EF-ACMmax. ACMmax contains the maximum number of home units the subscriber is allowed to spend. When ACM (see [+CACM](#)) reaches ACMmax, calls are prohibited. SIM PIN2 is required to set the value.

### 20.13.2. Syntax

#### *Action command*

```
AT+CAMM=<ACMmax>,<pin2passwd>
```

OK

#### *Read command*

```
AT+CAMM?
```

```
+CAMM: <ACMmax>
```

OK

#### *Test command*

```
AT+CAMM=?
```

OK

### 20.13.3. Parameters and Defined Values

|                            |                                                                                                                                                                                                                                                                     |
|----------------------------|---------------------------------------------------------------------------------------------------------------------------------------------------------------------------------------------------------------------------------------------------------------------|
| <b>&lt;pin2passwd&gt;:</b> | Personal Identification Number 2.<br>8 digit number                                                                                                                                                                                                                 |
| <b>&lt;ACMmax&gt;:</b>     | Accumulated Call Meter maximum<br>three bytes of the current call meter value in hexadecimal format (e.g. "00001E" corresponds to the decimal value 30). The value is in home units and bytes are coded in a similar way as the ACMmax value in SIM.<br>string type |

### 20.13.4. Parameter Storage

None.

### 20.13.5. Examples

| Command                                                                               | Responses                                             |
|---------------------------------------------------------------------------------------|-------------------------------------------------------|
| <b>AT+CMM="000400",1234</b><br><br><i>Note: Request ACMmax update, PIN2 is "1234"</i> | OK<br><br><i>Note: ACMmax updated to 1024</i>         |
| <b>AT+CMM?</b><br><br><i>Note: Request ACMmax value</i>                               | +CMM:"000400"<br>OK<br><br><i>Note: ACMmax = 1024</i> |



## 20.14. Price per UNIT and Currency Table +CPUC



### 20.14.1. Description

This command sets the parameters for Advice of Charge related to price per unit and the currency table in SIM file EF-PUCT.

PUCT information can be used to convert the home units (as used in +CAOC, +CACM and +CMM) into currency units.

### 20.14.2. Syntax

#### *Action command*

```
AT+CPUC=<currency>,<ppu>,<pin2passwd>
```

OK

#### *Read command*

```
AT+CPUC?
```

```
+CPUC: <currency>,<ppu>
```

OK

#### *Test command*

```
AT+CPUC=?
```

OK

### 20.14.3. Parameters and Defined Values

|                             |                                                                                           |
|-----------------------------|-------------------------------------------------------------------------------------------|
| <b>&lt;currency&gt;:</b>    | currency code<br><br>three character currency code (e.g. "GBP", "DEM")<br><br>string type |
| <b>&lt;ppu&gt;:</b>         | price per unit<br><br>dot is used as a decimal separator (e.g. "2.66")<br><br>string type |
| <b>&lt;pin2 passwd&gt;:</b> | Personal Identification Number 2.<br><br>8 digit number                                   |

### 20.14.4. Parameter Storage

None.

### 20.14.5. Examples

| Command                                                                                       | Responses                                                   |
|-----------------------------------------------------------------------------------------------|-------------------------------------------------------------|
| <b>AT+CPUC="EUR", "0.82", 1234</b><br><br><i>Note: Set Currency and Price per unit update</i> | OK<br><br><i>Note: Euros at a rate of 0.82 per unit set</i> |
| <b>AT+CPUC?</b>                                                                               | +CPUC "EUR", "0.82"<br><br>OK                               |

## 20.15. Closed User Group +CCUG



### 20.15.1. Description

This command is used to:

- activate/deactivate the control of CUG information for all following outgoing calls,
- select a CUG index,
- suppress Outgoing Access (OA). OA allows or not a member of a CUG to place calls outside the CUG.
- suppress the preferential CUG. Preferential is the default CUG used by the network when it does not receive an explicit CUG index.

The Closed User Group Supplementary Service enables subscribers to form groups with restricted access (both access to and from).

The CUG supplementary service is described in GSM 02.85 [\[25\]](#). This service is provided on prior arrangement with the service provider. Subscription options should be selected at implementation.

### 20.15.2. Syntax

#### *Action command*

```
AT+CCUG=<n>[,<index>[,<info>]]
```

OK

#### *Read command*

```
AT+CCUG?
```

```
+CCUG: <n>,<index>,<info>
```

OK

#### *Test command*

```
AT+CCUG=?
```

OK

### 20.15.3. Parameters and Defined Values

|                       |                     |                                  |
|-----------------------|---------------------|----------------------------------|
| <b>&lt;n&gt;:</b>     | CUG activation mode |                                  |
|                       | 0                   | disable (default value)          |
|                       | 1                   | enable                           |
| <b>&lt;index&gt;:</b> | CUG index           |                                  |
|                       | 0-9                 | selected default value: 0)       |
|                       | 10                  | preferred                        |
| <b>&lt;info&gt;:</b>  | actions             |                                  |
|                       | 0                   | no information (default value)   |
|                       | 1                   | suppress OA                      |
|                       | 2                   | suppress preferential CUG        |
|                       | 3                   | suppress OA and preferential CUG |

### 20.15.4. Parameter Storage

All parameters are stored in EEPROM without using AT&W.

### 20.15.5. Examples

| Command       | Responses          |
|---------------|--------------------|
| AT+CCUG=0,0,0 | OK                 |
| AT+CCUG?      | +CCUG: 0,0,0<br>OK |

# Index

CACM, 192  
CAMM, 194  
CAOC, 190  
CCFC, 181  
CCID, 117  
CCUG, 198  
CCWA, 185  
CHLD, 163  
CIMI, 121  
CKPD, 188  
CLCC, 160  
CLIP, 166  
CLIR, 169  
CMGD, 95  
CMGF, 66  
CMGL, 91  
CMGR, 86  
CMGS, 78  
CMGW, 81  
CMMS, 76  
CMSS, 84  
CNMA, 98  
CNMI, 56  
CNUM, 45  
COLP, 171  
CPBF, 22  
CPBN, 30  
CPBP, 26  
CPBR, 17  
CPBS, 6  
CPBW, 11  
CPMS, 68  
CPUC, 196  
CRES, 111  
CRSM, 126  
CSAS, 110  
CSCA, 72  
CSCB, 112  
CSDH, 74  
CSIM, 123  
CSMP, 63  
CSMS, 54  
CSSN, 174  
CSVM, 47  
CUSD, 178  
STCR, 156  
STGI, 143  
STGR, 151  
STIN, 140  
STRIL, 158  
STSF, 137  
WAIP, 49  
WCBM, 115  
WCOS, 9  
WDCP, 43  
WECC, 51  
WLPR, 131  
WLPW, 129  
WMCP, 107  
WMGO, 105  
WMSC, 101  
WPGR, 37  
WPGS, 41  
WPGW, 35  
WSAPPI, 119  
WUSS, 103



# AT Commands Interface Guide for Firmware 7.52

**Volume 4**



**SIERRA**  
WIRELESS

4111843  
6.0  
October 25, 2013

## Related Documents

This interface specification is based on the following recommendations:

- [1] ETSI GSM 07.05: Digital cellular telecommunications system (Phase 2); Use of DTE-DCE interface for Short Message Service (SMS) and Cell Broadcast Service (CBS)
- [2] ETSI GSM 07.07: Digital cellular telecommunications system (Phase 2); AT command set for GSM Mobile Equipment (ME)
- [3] ITU-T Recommendation V.25 ter: Serial asynchronous automatic dialing and control
- [4] ETSI GSM 03.40: Digital cellular telecommunications system (Phase 2); Technical implementation of the Short Message Service (SMS) Point-to-Point (PP)
- [5] ETSI GSM 03.38: Digital cellular telecommunications system (Phase 2); Alphabets and language-specific information
- [6] ETSI GSM 04.80: Digital cellular telecommunications system (Phase 2); Mobile radio interface layer 3, Supplementary service specification, Formats and coding
- [7] 3GPP 05.02: 3<sup>rd</sup> Generation Partnership Project; Technical Specification Group GSM/EDGE- Radio Access Network; Multiplexing and multiple access on the radio path – 3GPP TS 05.02 V6.9.2 (2001-04)
- [8] 3GPP 24.008: Mobile radio interface Layer 3 specification; Core network protocols; Stage 3
- [9] 3GPP TS 11.11 Specification of the Subscriber Identity Module - Mobile Equipment (SIM-ME) Interface
- [10] 3GPP TS 05.08 Radio subsystem link control
- [11] 3GPP TS 23.040 Technical realization of the Short Message Service (SMS);
- [12] 3GPP TS 22.042 Network Identity and Time Zone (NITZ) service description; Stage 1
- [13] 3GPP TS 51.011 Specification of the Subscriber Identity Module - Mobile Equipment (SIM-ME) interface
- [14] 3GPP TS 27-010 Terminal Equipment to User Equipment (TE-UE) multiplexer protocol
- [15] 3GPP 23.014 Support of Dual Tone Multi Frequency (DTMF) signaling
- [16] ISO 639 Languages Codes
- [17] 3GPP 27 060 Packet domain; Mobile Station (MS) supporting Packet Switched services
- [18] 3GPP TS 23.038 Alphabets and language-specific information
- [19] GPP TS 27.005 Use of Data Terminal Equipment - Data Circuit terminating Equipment (DTE-DCE) interface for Short Message Service (SMS) and Cell Broadcast Service (CBS)
- [20] ETSI GSM 11.14 Digital cellular telecommunications system (Phase 2+); Specification of the SIM Application Toolkit for the Subscriber Identity Module - Mobile Equipment (SIM - ME) interface
- [21] 3GPP TS 23.003 Digital cellular telecommunications system (Phase 2+) (GSM); Universal Mobile Telecommunications System (UMTS); Numbering, addressing and identification
- [22] ETSI GSM 02.24 Digital cellular telecommunications system (Phase 2+) (GSM);Description of Charge Advice Information (CAI)
- [23] ETSI GSM 02.86 Digital cellular telecommunications system (Phase 2+) (GSM);Advice of Charge (AoC) Supplementary Services - Stage 1
- [24] ETSI GSM 02.90 Digital cellular telecommunications system (Phase 2+) (GSM);Unstructured Supplementary Service Data (USSD) - Stage 1
- [25] ETSI GSM 02.85 Digital cellular telecommunications system (Phase 2+) (GSM);Closed User Group (CUG) Supplementary Services - Stage 1

- [26] 3GPP 27.007: *Digital cellular telecommunications system (Phase 2+) (GSM); Universal Mobile Telecommunications System (UMTS); AT command set for 3GPP User Equipment (UE) (Release 1999)*
- [27] 3GPP 23.107: *Universal Mobile Telecommunications System (UMTS); QoS Concept and Architecture (Release 1999)*
- [28] 3GPP 24.008: *European digital cellular telecommunication system (Phase 2+). Mobile radio interface layer 3 specification. (Release 1999)*
- [29] ETSI TS 102 221 "Smart Cards; UICC-Terminal interface; Physical and logical characteristics (Release 1999)".





# Contents

## Volume 4

|                                                              |            |
|--------------------------------------------------------------|------------|
| <b>21. AUDIO COMMANDS.....</b>                               | <b>7</b>   |
| 21.1. Speaker & Microphone Selection +SPEAKER.....           | 7          |
| 21.2. Ringer Sound Level +CRSL.....                          | 12         |
| 21.3. Microphone Mute Control +CMUT.....                     | 17         |
| 21.4. Loudspeaker Volume Level +CLVL.....                    | 19         |
| 21.5. Side Tone Modification +SIDET.....                     | 24         |
| 21.6. Gain Control +VGR.....                                 | 29         |
| 21.7. Gain Control +VGT.....                                 | 34         |
| 21.8. Digital Gain Control +WDGR.....                        | 37         |
| 21.9. Digital Gain Control +WDGT.....                        | 44         |
| 21.10. Audio Filter Command +WADF.....                       | 51         |
| 21.11. Echo Cancellation +ECHO.....                          | 57         |
| 21.12. Sierra Wireless Voice Rate +WVR.....                  | 68         |
| 21.13. DTMF Signals +VTD.....                                | 71         |
| 21.14. DTMF Signals +VTS.....                                | 73         |
| 21.15. Play tone +WTONE.....                                 | 75         |
| 21.16. Play DTMF tone + WDTMF.....                           | 81         |
| 21.17. DTMF Detection Mode +WDDM.....                        | 86         |
| 21.18. Set Standard Tone +WSST.....                          | 89         |
| 21.19. Ring Melody Playback +CRMP.....                       | 94         |
| 21.20. Sierra Wireless Change Default Melody +WCDM.....      | 100        |
| 21.21. Sierra Wireless Change Default Player +WCDP.....      | 102        |
| 21.22. Initialize Voice Parameters +VIP.....                 | 104        |
| 21.23. Auto-tests &T.....                                    | 106        |
| 21.24. Audio Diagnostic Start +WADS.....                     | 108        |
| <b>22. I/O COMMANDS.....</b>                                 | <b>114</b> |
| 22.1. Input/Output Management +WIOM.....                     | 114        |
| 22.2. Read GPIO value +WIOR.....                             | 119        |
| 22.3. Write GPIO value +WIOW.....                            | 121        |
| 22.4. Sierra Wireless Interrupt Pin Configuration +WIPC..... | 123        |
| <b>23. BATTERY COMMANDS.....</b>                             | <b>127</b> |
| 23.1. Analog Digital Converters Measurements +ADC.....       | 127        |
| 23.2. Sierra Wireless Battery Charge Management +WBCM.....   | 130        |
| 23.3. Sierra Wireless Autodiag +WDIAG.....                   | 138        |

|                                                            |            |
|------------------------------------------------------------|------------|
| <b>24. CPHS COMMANDS .....</b>                             | <b>145</b> |
| 24.1. CPHS Command: +CPHS.....                             | 145        |
| 24.2. Sierra Wireless CPHS Mail Box Number +WMBN.....      | 153        |
| 24.3. Sierra Wireless Alternate Line Service +WALS .....   | 156        |
| <b>25. FAX COMMANDS .....</b>                              | <b>158</b> |
| 25.1. Introduction.....                                    | 158        |
| 25.2. Transmit Speed +FTM.....                             | 159        |
| 25.3. Receive Speed +FRM .....                             | 161        |
| 25.4. HDLC Transmit Speed +FTH .....                       | 163        |
| 25.5. HDLC Receive Speed +FRH.....                         | 165        |
| 25.6. Stop Transmission and Wait +FTS .....                | 167        |
| 25.7. Receive Silence +FRS .....                           | 169        |
| <b>26. FAX CLASS 2 COMMANDS .....</b>                      | <b>171</b> |
| 26.1. Transmit Data +FDT .....                             | 171        |
| 26.2. Receive Data +FDR .....                              | 172        |
| 26.3. Transmit Page Punctuation +FET .....                 | 173        |
| 26.4. Page Transfer Status Parameters +FPTS .....          | 175        |
| 26.5. Terminate Session +FK.....                           | 177        |
| 26.6. Page Transfer Bit Order +FBOR .....                  | 178        |
| 26.7. Buffer Size Report +FBUF .....                       | 180        |
| 26.8. Copy Quality Checking +FCQ .....                     | 182        |
| 26.9. Capability to Receive +FCR .....                     | 184        |
| 26.10. Current Session Parameters +FDIS.....               | 186        |
| 26.11. DCE Capabilities Parameters +FDCC .....             | 190        |
| 26.12. Local ID String +FLID .....                         | 193        |
| 26.13. Page Transfer Timeout Parameter +FPHCTO.....        | 195        |
| 26.14. Additional Fax Class 2 indication messages.....     | 197        |
| <b>27. REMOTE DEVICE MANAGEMENT SERVICES COMMANDS.....</b> | <b>199</b> |
| 27.1. Device Services Configuration +WDSC .....            | 199        |
| 27.2. Device Services Error +WDSE.....                     | 204        |
| 27.3. Device Services Fallback +WDSF .....                 | 207        |
| 27.4. Device Services General status +WDSG.....            | 209        |
| 27.5. Device Services Reply +WDSR .....                    | 211        |
| 27.6. Device Services Session +WDSS.....                   | 213        |
| 27.7. Device Services Management +WDSM .....               | 218        |
| 27.8. Device Services Indications +WDSI.....               | 221        |
| 27.9. Device Services Bootstrap +WDSB .....                | 227        |
| 27.10. Device Services Host +WDSH .....                    | 229        |
| 27.11. Device Services Local Download +WDSD.....           | 233        |
| 27.12. Device Services Over-The-Air +WDSO .....            | 235        |



## >> 21. Audio Commands

### 21.1. Speaker & Microphone Selection +SPEAKER



#### 21.1.1. Description

This Sierra Wireless proprietary command is used to select the speaker and the microphone set.

#### 21.1.2. Syntax

##### *Action command*

```
AT+SPEAKER=<ActiveConfig>
```

```
OK
```

##### *Read command*

```
AT+SPEAKER?
```

```
+SPEAKER: <ActiveConfig>
```

```
OK
```

##### *Test command*

```
AT+SPEAKER=?
```

```
+SPEAKER: (list of supported <ActiveConfig>s)
```

```
OK
```

### 21.1.3. Parameters and Defined Values

|                               |                                                                              |
|-------------------------------|------------------------------------------------------------------------------|
| <b>&lt;ActiveConfig&gt;</b> : | speaker mode (please refer to the " <a href="#">Notes</a> " section below)   |
| 1                             | MIC_1 + SPK_2 at 8kHz                                                        |
| 2                             | MIC_1 + SPK_1 at 8kHz                                                        |
| 3                             | MIC_2 + SPK_2 at 8kHz                                                        |
| 4                             | MIC_2 + SPK_1 at 8kHz                                                        |
| 5                             | MIC_1 + SPK_2 + DAI at 8kHz (for internal use only)                          |
| 6                             | MIC_1 + SPK_1 + DAI at 8kHz (for internal use only)                          |
| 7                             | MIC_2 + SPK_2 + DAI at 8kHz (for internal use only)                          |
| 8                             | MIC_2 + SPK_1 + DAI at 8kHz (for internal use only)                          |
| 9                             | SPK_USER + MIC_USER (Bluetooth or to specify the PCM bus)                    |
| 10                            | No Audio                                                                     |
| 11                            | MIC_1 + SPK_2 at 16kHz                                                       |
| 12                            | MIC_1 + SPK_1 at 16kHz                                                       |
| 13                            | MIC_2 + SPK_2 at 16kHz                                                       |
| 14                            | MIC_2 + SPK_1 at 16kHz                                                       |
| 15                            | DATA_OUT + DATA_IN at 8/16kHz (I2S Ext) – Master                             |
| 16                            | DATA_OUT + DATA_IN at 8/16kHz (I2S Ext) - Slave                              |
| 17                            | MIC_1 + SPK_1 at 8/16kHz (I2S AB) – Master – From CPU                        |
| 18                            | DATA_OUT + DATA_IN at 8/16kHz (I2S Ext) – Master – From CPU + DSP            |
| 19                            | DATA_OUT + DATA_IN at 8/16kHz (I2S Ext) – Slave – From CPU + DSP             |
| 20                            | MIC_1 + SPK_1 at 8/16kHz (I2S AB) – Master – From CPU + DSP                  |
| 21                            | DATA_OUT + DATA_IN at 8/16kHz (I2S Ext) – Master – From CPU                  |
| 22                            | DATA_OUT + DATA_IN at 8/16kHz (I2S Ext) – Slave – From CPU                   |
| 23                            | DATA_OUT + DATA_IN at 8kHz (I2S Ext) – From DATA_OUT + DATA_IN at 8kHz (PCM) |

## 21.1.4. Parameter Storage

The <ActiveConfig> parameter is stored in EEPROM using the AT&W command. The default value can be restored using AT&F and AT+VIP=1.

## 21.1.5. Examples

| Command                                              | Responses                                                                                                                                                                                                                                                     |
|------------------------------------------------------|---------------------------------------------------------------------------------------------------------------------------------------------------------------------------------------------------------------------------------------------------------------|
| <b>AT+SPEAKER=?</b>                                  | +SPEAKER: (1,2,3,4,5,6,7,8,9,10,11,12,13,14,<br>15,16,17,18,19,20,21,22,23)<br><br>OK<br><i>Note: Response on Q268x, AirPrime AR6220 and WP6200</i><br><br>+SPEAKER: (1,2,3,4,5,6,7,8,9,10,11,12,13,14)<br><br>OK<br><i>Note: Response on AirPrime WMP100</i> |
| <b>AT+SPEAKER=1</b><br><i>Note: Activate config1</i> | OK<br><i>Note: Response on AirPrime WMP100</i><br><br>+CME ERROR:3<br><i>Note: Response on Q268x, AirPrime AR6220 and WP6200</i>                                                                                                                              |
| <b>AT+SPEAKER?</b>                                   | +SPEAKER: 1<br><br>OK<br><i>Note: Config 1 is active</i><br><br>+SPEAKER: 2<br><br>OK<br><i>Note: Config 2 is active</i><br><br><i>Note: Response on Q268x, AirPrime AR6220 and WP6200</i>                                                                    |

## 21.1.6. Notes

Some configurations may not be available on certain embedded modules:

| <ActiveConfig> | Q268x, WMP100 | SL6087      | AR6220,<br>WP6200 | SL808xT     | Q2698       |
|----------------|---------------|-------------|-------------------|-------------|-------------|
| 1              | X (default)   | X (default) | N/A               | N/A         | N/A         |
| 2              | X             | N/A         | X (default)       | X (default) | X (default) |
| 3              | X             | N/A         | N/A               | N/A         | N/A         |
| 4              | X             | N/A         | N/A               | N/A         | N/A         |
| 5              | X             | X           | N/A               | N/A         | N/A         |
| 6              | X             | N/A         | N/A               | N/A         | N/A         |
| 7              | X             | N/A         | N/A               | N/A         | N/A         |
| 8              | X             | N/A         | N/A               | N/A         | N/A         |
| 9              | X             | X           | X                 | X           | X           |
| 10             | X             | X           | N/A               | X           | X           |
| 11             | X             | X           | N/A               | N/A         | N/A         |
| 12             | X             | N/A         | N/A               | N/A         | N/A         |
| 13             | X             | N/A         | N/A               | N/A         | N/A         |
| 14             | X             | N/A         | N/A               | N/A         | N/A         |
| 15             | N/A           | N/A         | X                 | N/A         | N/A         |
| 16             | N/A           | N/A         | N/A               | N/A         | N/A         |
| 17             | N/A           | N/A         | X                 | N/A         | N/A         |
| 18             | N/A           | N/A         | X                 | N/A         | N/A         |
| 19             | N/A           | N/A         | N/A               | N/A         | N/A         |
| 20             | N/A           | N/A         | X                 | N/A         | N/A         |
| 21             | N/A           | N/A         | X                 | N/A         | N/A         |
| 22             | N/A           | N/A         | N/A               | N/A         | N/A         |
| 23             | N/A           | N/A         | X                 | N/A         | N/A         |

- On the embedded module, the speaker and microphone are selected as follows:
  - For Q268x, AirPrime WMP100:

| <ActiveConfig> | Analog In (Mic) | Analog Out  |
|----------------|-----------------|-------------|
| 1              | MIC_1 (Mic)     | SPK_2 (Hfr) |
| 2              | MIC_1 (Mic)     | SPK_1 (Ear) |
| 3              | MIC_2 (Auxmic)  | SPK_2 (Hfr) |
| 4              | MIC_2 (Auxmic)  | SPK_1 (Ear) |

- Audio 1 (sub-audio): Auxmic + Ear,
- Audio 2 (main audio): Mic + Hfr.

The digital audio interface (IOM-2) mode allows the connectivity with audio peripherals, and consists of 4 wires (PCM-SYNC, PCM-CLK, PCM-IN, PCM-OUT).

The IOM-2 frame is divided in 6 slots: each slot allows the transmission/reception of a 16 bits word.

When a configuration that includes digital IOs is used, the slot 0 will be allocated for exchanging audio data with the embedded module. Depending on the chosen configuration, the audio samples will be routed in different location in the audio chain.

For AR6220 and WP6200:

| <ActiveConfig> | Analog In (Mic) | Analog Out |
|----------------|-----------------|------------|
| 2              | MIC_1           | SPK_1      |

- During the call, the <ActiveConfig> can not be changed between three configuration groups: (1,2,3,4,9,10), (5-8) and (11-14).

If AT&W is used during communication, the command responses are OK but the speaker configuration could be not changed if active configuration is in another group than default configuration (for instance from 5 to 1).



## 21.2. Ringer Sound Level +CRSL



### 21.2.1. Description

This command is used to set/get the sound level of the ringer on incoming calls. The action command changes the default <volume> value of the +CRMP command.

### 21.2.2. Syntax

#### *Action command*

```
AT+CRSL=<sound level>  
OK
```

#### *Read command*

```
AT+CRSL?  
+CRSL: <sound level>  
OK
```

#### *Test command*

```
AT+CRSL=?  
+CRSL: (list of supported <sound level>s)  
OK
```

### 21.2.3. Parameters and Defined Values

**<sound level>:** There are two configuration modes. A mode to give the sound level in deci dB units, and a mode to give it in index. By default gains are expressed in deci dB value.

All values are possible for <sound level> between the min and max (see table in [Notes](#)). If a value does not correspond to a table value, the nearest is kept.

Else, if the configuration mode has changed with +WBHV command, one index corresponds to one deci dB value.

## 21.2.4. Parameter Storage

The <sound level> parameter is stored in EEPROM using the AT&W command. The default value can be restored using AT&F.

## 21.2.5. Examples

| Command                                                              | Responses                                                                 |
|----------------------------------------------------------------------|---------------------------------------------------------------------------|
| <b>AT+CRSL=-1000</b><br><i>Note: Set volume to -10 dB</i>            | OK<br><i>Note: Current ring playing with max volume.</i>                  |
| <b>AT+CRSL?</b><br><i>Note: Get current ringer sound level.</i>      | +CRSL: -1000<br>OK<br><i>Note: -9 dB is the nearest value for -10 dB.</i> |
| <b>AT+CRSL=?</b><br><i>Note: Supported parameters</i>                | +CRSL: (-8000 - 0)<br>OK                                                  |
| <b>AT+WBHV=8,1</b><br><i>Note: Set configuration to indexed mode</i> | OK                                                                        |
| <b>AT+CRSL=41</b>                                                    | OK                                                                        |
| <b>AT+CRSL?</b><br><i>Note: Get current ringer sound level</i>       | +CRSL: 41<br>OK<br><i>Note: Current level is 41</i>                       |
| <b>AT+CRSL=?</b><br><i>Note: Supported parameters</i>                | +CRSL: (0-255)<br>OK                                                      |

## 21.2.6. Notes

Below are listed the values for **<sound level>**. They are in deci dB units and index (default value is grayed).

| Gain in index | Gain in dB | Real dB value | Gain in index | Gain in dB | Real dB value | Gain in index | Gain in dB | Real dB value | Gain in index | Gain in dB | Real dB value |
|---------------|------------|---------------|---------------|------------|---------------|---------------|------------|---------------|---------------|------------|---------------|
| 0             | -8000      | -80           | 64            | -1204      | -12.04        | 128           | -602       | -6.02         | 192           | -250       | -2.5          |
| 1             | -4816      | -48.16        | 65            | -1191      | -11.91        | 129           | -595       | -5.95         | 193           | -245       | -2.45         |
| 2             | -4214      | -42.14        | 66            | -1177      | -11.77        | 130           | -589       | -5.89         | 194           | -241       | -2.41         |
| 3             | -3862      | -38.62        | 67            | -1164      | -11.64        | 131           | -582       | -5.82         | 195           | -236       | -2.36         |
| 4             | -3612      | -36.12        | 68            | -1151      | -11.51        | 132           | -575       | -5.75         | 196           | -232       | -2.32         |
| 5             | -3419      | -34.19        | 69            | -1139      | -11.39        | 133           | -569       | -5.69         | 197           | -228       | -2.28         |
| 6             | -3260      | -32.6         | 70            | -1126      | -11.26        | 134           | -562       | -5.62         | 198           | -223       | -2.23         |
| 7             | -3126      | -31.26        | 71            | -1114      | -11.14        | 135           | -556       | -5.56         | 199           | -219       | -2.19         |
| 8             | -3010      | -30.1         | 72            | -1102      | -11.02        | 136           | -549       | -5.49         | 200           | -214       | -2.14         |
| 9             | -2908      | -29.08        | 73            | -1090      | -10.9         | 137           | -543       | -5.43         | 201           | -210       | -2.1          |
| 10            | -2816      | -28.16        | 74            | -1078      | -10.78        | 138           | -537       | -5.37         | 202           | -206       | -2.06         |
| 11            | -2734      | -27.34        | 75            | -1066      | -10.66        | 139           | -530       | -5.3          | 203           | -201       | -2.01         |
| 12            | -2658      | -26.58        | 76            | -1055      | -10.55        | 140           | -524       | -5.24         | 204           | -197       | -1.97         |
| 13            | -2589      | -25.89        | 77            | -1043      | -10.43        | 141           | -518       | -5.18         | 205           | -193       | -1.93         |
| 14            | -2524      | -25.24        | 78            | -1032      | -10.32        | 142           | -512       | -5.12         | 206           | -189       | -1.89         |
| 15            | -2464      | -24.64        | 79            | -1021      | -10.21        | 143           | -506       | -5.06         | 207           | -185       | -1.85         |
| 16            | -2408      | -24.08        | 80            | -1010      | -10.1         | 144           | -500       | -5            | 208           | -180       | -1.8          |
| 17            | -2356      | -23.56        | 81            | -1000      | -10           | 145           | -494       | -4.94         | 209           | -176       | -1.76         |
| 18            | -2306      | -23.06        | 82            | -989       | -9.89         | 146           | -488       | -4.88         | 210           | -172       | -1.72         |
| 19            | -2259      | -22.59        | 83            | -978       | -9.78         | 147           | -482       | -4.82         | 211           | -168       | -1.68         |
| 20            | -2214      | -22.14        | 84            | -968       | -9.68         | 148           | -476       | -4.76         | 212           | -164       | -1.64         |
| 21            | -2172      | -21.72        | 85            | -958       | -9.58         | 149           | -470       | -4.7          | 213           | -160       | -1.6          |
| 22            | -2132      | -21.32        | 86            | -947       | -9.47         | 150           | -464       | -4.64         | 214           | -156       | -1.56         |
| 23            | -2093      | -20.93        | 87            | -937       | -9.37         | 151           | -459       | -4.59         | 215           | -152       | -1.52         |

| Gain in index | Gain in dB | Real dB value | Gain in index | Gain in dB | Real dB value | Gain in index | Gain in dB | Real dB value | Gain in index | Gain in dB | Real dB value |
|---------------|------------|---------------|---------------|------------|---------------|---------------|------------|---------------|---------------|------------|---------------|
| 24            | -2056      | -20.56        | 88            | -928       | -9.28         | 152           | -453       | -4.53         | 216           | -148       | -1.48         |
| 25            | -2021      | -20.21        | 89            | -918       | -9.18         | 153           | -447       | -4.47         | 217           | -144       | -1.44         |
| 26            | -1987      | -19.87        | 90            | -908       | -9.08         | 154           | -441       | -4.41         | 218           | -140       | -1.4          |
| 27            | -1954      | -19.54        | 91            | -898       | -8.98         | 155           | -436       | -4.36         | 219           | -136       | -1.36         |
| 28            | -1922      | -19.22        | 92            | -889       | -8.89         | 156           | -430       | -4.3          | 220           | -132       | -1.32         |
| 29            | -1892      | -18.92        | 93            | -880       | -8.8          | 157           | -425       | -4.25         | 221           | -128       | -1.28         |
| 30            | -1862      | -18.62        | 94            | -870       | -8.7          | 158           | -419       | -4.19         | 222           | -124       | -1.24         |
| 31            | -1834      | -18.34        | 95            | -861       | -8.61         | 159           | -414       | -4.14         | 223           | -120       | -1.2          |
| 32            | -1806      | -18.06        | 96            | -852       | -8.52         | 160           | -408       | -4.08         | 224           | -116       | -1.16         |
| 33            | -1779      | -17.79        | 97            | -843       | -8.43         | 161           | -403       | -4.03         | 225           | -112       | -1.12         |
| 34            | -1754      | -17.54        | 98            | -834       | -8.34         | 162           | -397       | -3.97         | 226           | -108       | -1.08         |
| 35            | -1728      | -17.28        | 99            | -825       | -8.25         | 163           | -392       | -3.92         | 227           | -104       | -1.04         |
| 36            | -1704      | -17.04        | 100           | -816       | -8.16         | 164           | -387       | -3.87         | 228           | -101       | -1.01         |
| 37            | -1680      | -16.8         | 101           | -808       | -8.08         | 165           | -382       | -3.82         | 229           | -97        | -0.97         |
| 38            | -1657      | -16.57        | 102           | -799       | -7.99         | 166           | -376       | -3.76         | 230           | -93        | -0.93         |
| 39            | -1634      | -16.34        | 103           | -791       | -7.91         | 167           | -371       | -3.71         | 231           | -89        | -0.89         |
| 40            | -1612      | -16.12        | 104           | -782       | -7.82         | 168           | -366       | -3.66         | 232           | -86        | -0.86         |
| 41            | -1591      | -15.91        | 105           | -774       | -7.74         | 169           | -361       | -3.61         | 233           | -82        | -0.82         |
| 42            | -1570      | -15.7         | 106           | -766       | -7.66         | 170           | -356       | -3.56         | 234           | -78        | -0.78         |
| 43            | -1550      | -15.5         | 107           | -758       | -7.58         | 171           | -350       | -3.5          | 235           | -74        | -0.74         |
| 44            | -1530      | -15.3         | 108           | -750       | -7.5          | 172           | -345       | -3.45         | 236           | -71        | -0.71         |
| 45            | -1510      | -15.1         | 109           | -742       | -7.42         | 173           | -340       | -3.4          | 237           | -67        | -0.67         |
| 46            | -1491      | -14.91        | 110           | -734       | -7.34         | 174           | -335       | -3.35         | 238           | -63        | -0.63         |
| 47            | -1472      | -14.72        | 111           | -726       | -7.26         | 175           | -330       | -3.3          | 239           | -60        | -0.6          |
| 48            | -1454      | -14.54        | 112           | -718       | -7.18         | 176           | -325       | -3.25         | 240           | -56        | -0.56         |
| 49            | -1436      | -14.36        | 113           | -710       | -7.1          | 177           | -321       | -3.21         | 241           | -52        | -0.52         |
| 50            | -1419      | -14.19        | 114           | -703       | -7.03         | 178           | -316       | -3.16         | 242           | -49        | -0.49         |

| Gain in index | Gain in dB | Real dB value | Gain in index | Gain in dB | Real dB value | Gain in index | Gain in dB | Real dB value | Gain in index | Gain in dB | Real dB value |
|---------------|------------|---------------|---------------|------------|---------------|---------------|------------|---------------|---------------|------------|---------------|
| 51            | -1401      | -14.01        | 115           | -695       | -6.95         | 179           | -311       | -3.11         | 243           | -45        | -0.45         |
| 52            | -1384      | -13.84        | 116           | -688       | -6.88         | 180           | -306       | -3.06         | 244           | -42        | -0.42         |
| 53            | -1368      | -13.68        | 117           | -680       | -6.8          | 181           | -301       | -3.01         | 245           | -38        | -0.38         |
| 54            | -1352      | -13.52        | 118           | -673       | -6.73         | 182           | -296       | -2.96         | 246           | -35        | -0.35         |
| 55            | -1336      | -13.36        | 119           | -665       | -6.65         | 183           | -292       | -2.92         | 247           | -31        | -0.31         |
| 56            | -1320      | -13.2         | 120           | -658       | -6.58         | 184           | -287       | -2.87         | 248           | -28        | -0.28         |
| 57            | -1305      | -13.05        | 121           | -651       | -6.51         | 185           | -282       | -2.82         | 249           | -24        | -0.24         |
| 58            | -1290      | -12.9         | 122           | -644       | -6.44         | 186           | -277       | -2.77         | 250           | -21        | -0.21         |
| 59            | -1275      | -12.75        | 123           | -637       | -6.37         | 187           | -273       | -2.73         | 251           | -17        | -0.17         |
| 60            | -1260      | -12.6         | 124           | -630       | -6.3          | 188           | -268       | -2.68         | 252           | -14        | -0.14         |
| 61            | -1246      | -12.46        | 125           | -623       | -6.23         | 189           | -264       | -2.64         | 253           | -10        | -0.1          |
| 62            | -1232      | -12.32        | 126           | -616       | -6.16         | 190           | -259       | -2.59         | 254           | -7         | -0.07         |
| 63            | -1218      | -12.18        | 127           | -609       | -6.09         | 191           | -254       | -2.54         | 255           | 0          | 0             |

---

*Note:* For AirPrime AR6220 and WP6200 the lowest tone gain value (index 0) is -48.16 db instead of -80.00 dB.

---



---

*Note:* For buzzer output, very high and very low gain values are not accepted. Hence, the nearest value is kept, which depends on the used embedded module. Please refer to Product Technical Specification, for more information.  
Example: If buzzer minimum gain is -46.03 dB and -48.06 dB gain is selected (gain 1 in index mode), then -46.03 dB is played

---

## 21.3. Microphone Mute Control +CMUT

Test and read command



Action command



### 21.3.1. Description

This command is used to mute the microphone input on the product (for the active microphone set with the +SPEAKER command). The action command is only allowed during a call.

### 21.3.2. Syntax

*Action command*

```
AT+CMUT=<mode>
```

OK

*Read command*

```
AT+CMUT?
```

```
+CMUT: <mode>
```

OK

*Test command*

```
AT+CMUT=?
```

```
+CMUT: (list of supported <mode>s)
```

OK

### 21.3.3. Parameters and Defined Values

|                      |                                     |
|----------------------|-------------------------------------|
| <b>&lt;mode&gt;:</b> | microphone mute mode                |
| 0                    | microphone mute off (default value) |
| 1                    | microphone mute on                  |

### 21.3.4. Parameter Storage

None.

### 21.3.5. Examples

| Command                                                | Responses                                                   |
|--------------------------------------------------------|-------------------------------------------------------------|
| <b>AT+CMUT=?</b>                                       | +CMUT: (0,1)<br>OK                                          |
| <b>AT+CMUT=1</b><br><i>Note: Mute ON (call active)</i> | OK                                                          |
| <b>AT+CMUT?</b><br><i>Note: Get current value</i>      | +CMUT: 1<br>OK<br><i>Note: Mute is active (call active)</i> |

## 21.4. Loudspeaker Volume Level +CLVL



### 21.4.1. Description

This command is used by the application to tune the loudspeaker volume level.

### 21.4.2. Syntax

*Action command*

```
AT+CLVL=<Volume>
```

OK

*Read command*

```
AT+CLVL?
```

```
+CLVL: <Volume>
```

OK

*Test command*

```
AT+CLVL=?
```

```
+CLVL: (list of supported <Volume>s)
```

OK

### 21.4.3. Parameters and Defined Values

**<Volume>:**

reception volume

There are two configuration modes:

- the gain is entered in deci dB units,
- the gain is entered in index.

By default gains are expressed in deci dB value.

All values are possible between the minimum and maximum values of the table given in the Notes section. If a value does not correspond to a table value, the nearest is kept.

If the configuration mode has been changed with +WBHV command to the index mode, the deci dB value will correspond to the index entered as described in the table of the Notes section.



## 21.4.4. Parameter Storage

All parameters are stored in EEPROM using the AT&W command. The default value can be restored using AT&F and AT+VIP=1.

## 21.4.5. Examples

| Command                                                              | Responses                                                                                                               |
|----------------------------------------------------------------------|-------------------------------------------------------------------------------------------------------------------------|
| <b>AT+CLVL=?</b><br><i>Note: Test command</i>                        | +CLVL: (-4000-800)<br>OK<br><i>Note: Possible values if speaker1 selected on Q268x, AirPrime WMP100 embedded module</i> |
| <b>AT+CLVL=?</b><br><i>Note: Test command</i>                        | +CLVL: (-12600-0)<br>OK<br><i>Note: Possible values (speaker1) on AirPrime AR6220 and WP6200 embedded modules</i>       |
| <b>AT+CLVL=-2100</b>                                                 | OK                                                                                                                      |
| <b>AT+CLVL?</b>                                                      | +CLVL: -2000<br>OK                                                                                                      |
| <b>AT+WBHV=8,1</b><br><i>Note: Set configuration to indexed mode</i> | OK                                                                                                                      |
| <b>AT+CLVL=9</b>                                                     | OK                                                                                                                      |
| <b>AT+CLVL?</b>                                                      | +CLVL: 9<br>OK                                                                                                          |
| <b>AT+CLVL=?</b><br><i>Note: Test command</i>                        | +CLVL: (0-84)<br>OK<br><i>Note: Possible values (speaker1) on AirPrime AR6220 and WP6200 embedded modules</i>           |

## 21.4.6. Notes

Below are listed the values for <volume>. They are in deci dB units and index. (Default values are grayed).

For AirPrime WMP100 and Q268x embedded modules (default values are grayed):

- Speaker 1:

| Gain in index | Gain in dB | Real dB value | Gain in index | Gain in dB | Real dB value | Gain in index | Gain in dB | Real dB value | Gain in index | Gain in dB | Real dB value |
|---------------|------------|---------------|---------------|------------|---------------|---------------|------------|---------------|---------------|------------|---------------|
| 0             | -4000      | -40           | 4             | -2400      | -24           | 8             | -800       | -8            | 12            | 800        | 8             |
| 1             | -3600      | -36           | 5             | -2000      | -20           | 9             | -400       | -4            |               |            |               |
| 2             | -3200      | -32           | 6             | -1600      | -16           | 10            | 0          | 0             |               |            |               |
| 3             | -2800      | -28           | 7             | -1200      | -12           | 11            | 400        | 4             |               |            |               |

Speaker 2:

| Gain in index | Gain in dB | Real dB value | Gain in index | Gain in dB | Real dB value | Gain in index | Gain in dB | Real dB value | Gain in index | Gain in dB | Real dB value |
|---------------|------------|---------------|---------------|------------|---------------|---------------|------------|---------------|---------------|------------|---------------|
| 0             | -3400      | -34           | 4             | -1800      | -18           | 8             | -200       | -2            | 12            | 1400       | 14            |
| 1             | -3000      | -30           | 5             | -1400      | -14           | 9             | 200        | 2             |               |            |               |
| 2             | -2600      | -26           | 6             | -1000      | -10           | 10            | 600        | 6             |               |            |               |
| 3             | -2200      | -22           | 7             | -600       | -6            | 11            | 1000       | 10            |               |            |               |

For AirPrime AR6220 and WP6200 embedded module (-15 dB by default)

| Gain in index | Gain in dB | Real dB value | Gain in index | Gain in dB | Real dB value | Gain in index | Gain in dB | Real dB value | Gain in index | Gain in dB | Real dB value |
|---------------|------------|---------------|---------------|------------|---------------|---------------|------------|---------------|---------------|------------|---------------|
| 0             | -12600     | -126          | 21            | -9450      | -94.5         | 42            | -6300      | -63           | 63            | -3150      | -31.5         |
| 1             | -12450     | -124.5        | 22            | -9300      | -93           | 43            | -6150      | -61.5         | 64            | -3000      | -30           |
| 2             | -12300     | -123.0        | 23            | -9150      | -91.5         | 44            | -6000      | -60           | 65            | -2850      | -28.5         |
| 3             | -12150     | -121.5        | 24            | -9000      | -90           | 45            | -5850      | -58.5         | 66            | -2700      | -27           |
| 4             | -12000     | -120.0        | 25            | -8850      | -88.5         | 46            | -5700      | -57           | 67            | -2550      | -25.5         |
| 5             | -11850     | -118.5        | 26            | -8700      | -87           | 47            | -5550      | -55.5         | 68            | -2400      | -24           |
| 6             | -11700     | -117.0        | 27            | -8550      | -85.5         | 48            | -5400      | -54           | 69            | -2250      | -22.5         |
| 7             | -11550     | -115.5        | 28            | -8400      | -84           | 49            | -5250      | -52.5         | 70            | -2100      | -21           |
| 8             | -11400     | -114.0        | 29            | -8250      | -82.5         | 50            | -5100      | -51           | 71            | -1950      | -19.5         |
| 9             | -11250     | -112.5        | 30            | -8100      | -81           | 51            | -4950      | -49.5         | 72            | -1800      | -18           |
| 10            | -11100     | -111.0        | 31            | -7950      | -79.5         | 52            | -4800      | -48           | 73            | -1650      | -16.5         |
| 11            | -10950     | -109.5        | 32            | -7800      | -78           | 53            | -4650      | -46.5         | 74            | -1500      | -15           |
| 12            | -10800     | -108.0        | 33            | -7650      | -76.5         | 54            | -4500      | -45           | 75            | -1350      | -13.5         |
| 13            | -10650     | -106.5        | 34            | -7500      | -75           | 55            | -4350      | -43.5         | 76            | -1200      | -12           |
| 14            | -10500     | -105.0        | 35            | -7350      | -73.5         | 56            | -4200      | -42           | 77            | -1050      | -10.5         |
| 15            | -10350     | -103.5        | 36            | -7200      | -72           | 57            | -4050      | -40.5         | 78            | -900       | -9            |
| 16            | -10200     | -102.0        | 37            | -7050      | -70.5         | 58            | -3900      | -39           | 79            | -750       | -7.5          |
| 17            | -10050     | -100.5        | 38            | -6900      | -69           | 59            | -3750      | -37.5         | 80            | -600       | -6            |
| 18            | -9900      | -99.0         | 39            | -6750      | -67.5         | 60            | -3600      | -36           | 81            | -450       | -4.5          |
| 19            | -9750      | -97.5         | 40            | -6600      | -66           | 61            | -3450      | -34.5         | 82            | -300       | -3            |
| 20            | -9600      | -96.0         | 41            | -6450      | -64.5         | 62            | -3300      | -33           | 83            | -150       | -1.5          |

For AirPrime SL808xT and Q2698 embedded modules (default values are grayed):

| Gain in index | Gain in dB | Real dB value | Gain in index | Gain in dB | Real dB value |
|---------------|------------|---------------|---------------|------------|---------------|
| 0             | -5000      | -50           | 4             | -1500      | -15           |
| 1             | -4100      | -41           | 5             | -500       | -5            |
| 2             | -3200      | -32           | 6             | 300        | 3             |
| 3             | -2300      | -23           | 7             | 1200       | 12            |

## 21.5. Side Tone Modification +SIDET



### 21.5.1. Description

This Sierra Wireless proprietary command is used to set the level of audio feedback in the speaker (microphone feedback in the speaker).

### 21.5.2. Syntax

*Action command*

```
AT+SIDET=<val1>[,<val2>]
```

OK

*Read command*

```
AT+SIDET?
```

```
+SIDET: <val1>,<val2>
```

OK

*Test command*

```
AT+SIDET=?
```

```
+SIDET: (list of supported <val1>s),(list of supported <val2>s)
```

OK

### 21.5.3. Parameters and Defined Values

|                      |                                      |
|----------------------|--------------------------------------|
| <b>&lt;val1&gt;:</b> | side tone mode                       |
| 0                    | side tone is disabled                |
| 1                    | side tone is enabled (default value) |

|                      |                                                                                                                                                                                                                                                                                                                                                                                                                                                                                                                                                                                                                                                 |
|----------------------|-------------------------------------------------------------------------------------------------------------------------------------------------------------------------------------------------------------------------------------------------------------------------------------------------------------------------------------------------------------------------------------------------------------------------------------------------------------------------------------------------------------------------------------------------------------------------------------------------------------------------------------------------|
| <b>&lt;val2&gt;:</b> | <p>side tone level</p> <p>There are two configuration modes:</p> <ul style="list-style-type: none"> <li>• the gain is entered in deci dB units,</li> <li>• the gain is entered in index.</li> </ul> <p>By default gains are expressed in deci dB value.</p> <p>All values are possible between the minimum and maximum values of the table given in the Notes section. If a value does not correspond to a table value, the nearest is kept.</p> <p>If the configuration mode has been changed with +WBHV command to the index mode, the deci dB value will correspond to the index entered as described in the table of the Notes section.</p> |
|----------------------|-------------------------------------------------------------------------------------------------------------------------------------------------------------------------------------------------------------------------------------------------------------------------------------------------------------------------------------------------------------------------------------------------------------------------------------------------------------------------------------------------------------------------------------------------------------------------------------------------------------------------------------------------|

### 21.5.4. Parameter Storage

The <val1>and <val2> parameters are stored in EEPROM using the AT&W command. The default values can be restored using AT&F and AT+VIP=1.

### 21.5.5. Examples

| Command                                                                | Responses                                                                                                                                                                                                                                        |
|------------------------------------------------------------------------|--------------------------------------------------------------------------------------------------------------------------------------------------------------------------------------------------------------------------------------------------|
| <b>AT+SIDET=?</b>                                                      | <p>+SIDET: (0-1) , (-9030 0)</p> <p>OK</p> <p><i>Note: Response on AirPrime AR6220 and WP6200 embedded modules</i></p> <p>+SIDET: (0-1) , (-32768-540)</p> <p>OK</p> <p><i>Note: Response on AirPrime Q26XX and WMP100 embedded modules.</i></p> |
| <b>AT+SIDET=1 , 190</b>                                                | OK                                                                                                                                                                                                                                               |
| <b>AT+SIDET?</b>                                                       | <p>+SIDET: 1 , 188</p> <p>OK</p>                                                                                                                                                                                                                 |
| <b>AT+WBHV=8 , 1</b><br><i>Note: Set configuration to indexed mode</i> | OK                                                                                                                                                                                                                                               |

| Command                                 | Responses                                                                                                                                                                                                     |
|-----------------------------------------|---------------------------------------------------------------------------------------------------------------------------------------------------------------------------------------------------------------|
| AT+SIDET=?                              | +SIDET: (0-1), (0-15)<br>OK<br><i>Note: Response on AirPrime AR6220 and WP6200 embedded modules</i><br><br>+SIDET: (0-1), (0-63)<br>OK<br><i>Note: Response on AirPrime Q26XX and WMP100 embedded modules</i> |
| AT+SIDET=1,0                            | OK                                                                                                                                                                                                            |
| AT+SIDET?<br><i>Note: Current value</i> | +SIDET: 1,0<br>OK                                                                                                                                                                                             |

## 21.5.6. Notes

- Sidetone level default value is kept if **<val2>** parameter is omitted.
- The following tables list values for the two configuration modes for **<val2>**:

For AirPrime WMP100, Q268x embedded modules (default values are grayed):

| Gain in index | Gain in dB | Real dB Value | Gain in index | Gain in dB | Real dB Value | Gain in index | Gain in dB | Real dB Value | Gain in index | Gain in dB | Real dB Value |
|---------------|------------|---------------|---------------|------------|---------------|---------------|------------|---------------|---------------|------------|---------------|
| 0             | -32768     | -Inf          | 16            | -3260      | -32.6         | 32            | -1860      | -18.62        | 48            | -620       | -6.16         |
| 1             | -6020      | -60.21        | 17            | -3130      | -31.26        | 33            | -1750      | -17.54        | 49            | -510       | -5.12         |
| 2             | -5420      | -54.19        | 18            | -3010      | -30.1         | 34            | -1660      | -16.57        | 50            | -420       | -4.19         |
| 3             | -5070      | -50.66        | 19            | -2910      | -29.08        | 35            | -1570      | -15.7         | 51            | -340       | -3.35         |
| 4             | -4820      | -48.16        | 20            | -2820      | -28.16        | 36            | -1490      | -14.91        | 52            | -260       | -2.59         |
| 5             | -4620      | -46.23        | 21            | -2730      | -27.34        | 37            | -1420      | -14.19        | 53            | -190       | -1.89         |
| 6             | -4460      | -44.64        | 22            | -2660      | -26.58        | 38            | -1350      | -13.52        | 54            | -120       | -1.24         |
| 7             | -4330      | -43.3         | 23            | -2590      | -25.89        | 39            | -1290      | -12.9         | 55            | -60        | -0.63         |
| 8             | -4210      | -42.14        | 24            | -2520      | -25.24        | 40            | -1230      | -12.32        | 56            | -10        | -0.07         |
| 9             | -4020      | -40.21        | 25            | -2410      | -24.08        | 41            | -1130      | -11.26        | 57            | 100        | 0.96          |
| 10            | -3860      | -38.62        | 26            | -2310      | -23.06        | 42            | -1030      | -10.32        | 58            | 190        | 1.88          |
| 11            | -3730      | -37.28        | 27            | -2210      | -22.14        | 43            | -950       | -9.47         | 59            | 270        | 2.72          |
| 12            | -3610      | -36.12        | 28            | -2130      | -21.32        | 44            | -870       | -8.7          | 60            | 350        | 3.48          |
| 13            | -3510      | -35.1         | 29            | -2060      | -20.56        | 45            | -800       | -7.99         | 61            | 420        | 4.18          |
| 14            | -3420      | -34.19        | 30            | -1990      | -19.87        | 46            | -730       | -7.34         | 62            | 480        | 4.82          |
| 15            | -3340      | -33.36        | 31            | -1920      | -19.22        | 47            | -670       | -6.73         | 63            | 540        | 5.42          |



**For AirPrime AR6220 and WP6200 embedded modules (default value is grayed):**

Default value: -24.00 dB

| Gain in index | Gain in dB | Real dB Value |
|---------------|------------|---------------|
| 0             | -9030      | -90.30        |
| 1             | -8430      | -84.30        |
| 2             | -7830      | -78.30        |
| 3             | -7220      | -72.20        |
| 4             | -6620      | -66.20        |
| 5             | -6020      | -60.20        |
| 6             | -5420      | -54.20        |
| 7             | -4820      | -48.20        |
| 8             | -4210      | -42.10        |
| 9             | -3610      | -36.10        |
| 10            | -3010      | -30.10        |
| 11            | -2400      | -24.00        |
| 12            | -1800      | -18.00        |
| 13            | -1200      | -12.00        |
| 14            | -600       | -6.00         |
| 15            | 0          | 0             |

## 21.6. Gain Control +VGR



### 21.6.1. Description

This command is used by the application to set the speaker gain

### 21.6.2. Syntax

*Action command*

```
AT+VGR=<Rgain>
```

OK

*Read command*

```
AT+VGR?
```

```
+VGR: <Rgain>
```

OK

*Test command*

```
AT+VGR=?
```

```
+VGR: (list of supported <Rgain>s)
```

OK

### 21.6.3. Parameters and Defined Values

**<Rgain>:**

reception gain

There are two configuration modes:

- the gain is entered in deci dB units,
- the gain is entered in index.

By default gains are expressed in deci dB value.

All values are possible between the minimum and maximum values of the table given in the Notes section. If a value does not correspond to a table value, the nearest is kept.

If the configuration mode has been changed with +WBHV command to the index mode, the deci dB value will correspond to the index entered as described in the table of the Notes section.

## 21.6.4. Parameter Storage

All parameters are stored in EEPROM using the AT&W command. The default value can be restored using AT&F and AT+VIP=1

## 21.6.5. Examples

| Command                                                                  | Responses                                                                                                                           |
|--------------------------------------------------------------------------|-------------------------------------------------------------------------------------------------------------------------------------|
| <b>AT+VGR=?</b><br><br><i>Note: Test command</i>                         | +VGR: (-4000-800)<br><br>OK<br><br><i>Note: Possible values if speaker1 is selected on Q268x or AirPrime WMP100 embedded module</i> |
| <b>AT+VGR=?</b><br><br><i>Note: Test command</i>                         | +VGR: (-12600-0)<br><br>OK<br><br><i>Note: Possible values if speaker1 selected on AirPrime AR6220 and WP6200 embedded modules</i>  |
| <b>AT+VGR=-2100</b>                                                      | OK                                                                                                                                  |
| <b>AT+VGR?</b><br><br><i>Note: Get current reception gain value</i>      | +VGR: -2000<br><br>OK<br><br><i>Note: Receive gain</i>                                                                              |
| <b>AT+WBHV=8,1</b><br><br><i>Note: Set configuration to indexed mode</i> | OK                                                                                                                                  |
| <b>AT+VGR=9</b>                                                          | OK                                                                                                                                  |
| <b>AT+VGR?</b><br><br><i>Note: Get current reception gain value</i>      | +VGR: 9<br><br>OK<br><br><i>Note: Receive gain</i>                                                                                  |
| <b>AT+VGR=?</b><br><br><i>Note: Test command</i>                         | +VGR: (0-84)<br><br>OK<br><br><i>Note: Possible values if speaker1 selected on AR6220 and WP6200 embedded modules</i>               |

## 21.6.6. Notes

Below are listed the values for <Rgain>. They are in deci dB units and index.

For AirPrime WMP100, Q268x embedded module(default values are grayed):

- Speaker 1:

| Gain in Index | Gain in dB | Real dB value | Gain in Index | Gain in value | Real dB value | Gain in Index | Gain in dB | Real dB value | Gain in Index | Gain in dB | Real dB value |
|---------------|------------|---------------|---------------|---------------|---------------|---------------|------------|---------------|---------------|------------|---------------|
| 0             | -4000      | -40           |               | -2400         | -24           | 8             | -800       | -8            | 12            | 800        | 8             |
| 1             | -3600      | -36           | 5             | -2000         | -20           | 9             | -400       | -4            |               |            |               |
| 2             | -3200      | -32           | 6             | -1600         | -16           | 10            | 0          | 0             |               |            |               |
| 3             | -2800      | -28           | 7             | -1200         | -12           | 11            | 400        | 4             |               |            |               |

- Speaker 2:

| Gain in Index | Gain in dB | Real dB value | Gain in Index | Gain in dB | Real dB value | Gain in Index | Gain in dB | Real dB value | Gain in Index | Gain in dB | Real dB value |
|---------------|------------|---------------|---------------|------------|---------------|---------------|------------|---------------|---------------|------------|---------------|
| 0             | -3400      | -34           | 4             | -1800      | -18           | 8             | -200       | -2            | 12            | 1400       | 14            |
| 1             | -3000      | -30           | 5             | -1400      | -14           | 9             | 200        | 2             |               |            |               |
| 2             | -2600      | -26           | 6             | -1000      | -10           | 10            | 600        | 6             |               |            |               |
| 3             | -2200      | -22           | 7             | -600       | -6            | 11            | 1000       | 10            |               |            |               |

**For AirPrime AR6220 and WP6200 embedded modules:**

- Speaker 1 (-15 dB by default)

| Gain in Index | Gain in dB | Real dB value | Gain in Index | Gain in dB | Real dB value | Gain in Index | Gain in dB | Real dB value | Gain in Index | Gain in dB | Real dB value |
|---------------|------------|---------------|---------------|------------|---------------|---------------|------------|---------------|---------------|------------|---------------|
| 0             | -12600     | -126          | 21            | -9450      | -94.5         | 42            | -6300      | -63           | 63            | -3150      | -31.5         |
| 1             | -12450     | -124.5        | 22            | -9300      | -93           | 43            | -6150      | -61.5         | 64            | -3000      | -30           |
| 2             | -12300     | -123.0        | 23            | -9150      | -91.5         | 44            | -6000      | -60           | 65            | -2850      | -28.5         |
| 3             | -12150     | -121.5        | 24            | -9000      | -90           | 45            | -5850      | -58.5         | 66            | -2700      | -27           |
| 4             | -12000     | -120.0        | 25            | -8850      | -88.5         | 46            | -5700      | -57           | 67            | -2550      | -25.5         |
| 5             | -11850     | -118.5        | 26            | -8700      | -87           | 47            | -5550      | -55.5         | 68            | -2400      | -24           |
| 6             | -11700     | -117.0        | 27            | -8550      | -85.5         | 48            | -5400      | -54           | 69            | -2250      | -22.5         |
| 7             | -11550     | -115.5        | 28            | -8400      | -84           | 49            | -5250      | -52.5         | 70            | -2100      | -21           |
| 8             | -11400     | -114.0        | 29            | -8250      | -82.5         | 50            | -5100      | -51           | 71            | -1950      | -19.5         |
| 9             | -11250     | -112.5        | 30            | -8100      | -81           | 51            | -4950      | -49.5         | 72            | -1800      | -18           |
| 10            | -11100     | -111.0        | 31            | -7950      | -79.5         | 52            | -4800      | -48           | 73            | -1650      | -16.5         |
| 11            | -10950     | -109.5        | 32            | -7800      | -78           | 53            | -4650      | -46.5         | 74            | -1500      | -15           |
| 12            | -10800     | -108.0        | 33            | -7650      | -76.5         | 54            | -4500      | -45           | 75            | -1350      | -13.5         |
| 13            | -10650     | -106.5        | 34            | -7500      | -75           | 55            | -4350      | -43.5         | 76            | -1200      | -12           |
| 14            | -10500     | -105.0        | 35            | -7350      | -73.5         | 56            | -4200      | -42           | 77            | -1050      | -10.5         |
| 15            | -10350     | -103.5        | 36            | -7200      | -72           | 57            | -4050      | -40.5         | 78            | -900       | -9            |
| 16            | -10200     | -102.0        | 37            | -7050      | -70.5         | 58            | -3900      | -39           | 79            | -750       | -7.5          |
| 17            | -10050     | -100.5        | 38            | -6900      | -69           | 59            | -3750      | -37.5         | 80            | -600       | -6            |
| 18            | -9900      | -99.0         | 39            | -6750      | -67.5         | 60            | -3600      | -36           | 81            | -450       | -4.5          |
| 19            | -9750      | -97.5         | 40            | -6600      | -66           | 61            | -3450      | -34.5         | 82            | -300       | -3            |
| 20            | -9600      | -96.0         | 41            | -6450      | -64.5         | 62            | -3300      | -33           | 83            | -150       | -1.5          |
|               |            |               |               |            |               |               |            |               | 84            | 0          | 0             |

The audio codec for AirPrime AR6220 and WP6200 embedded modules only embeds a digital attenuator. The corresponding +VGR command only modifies this digital attenuator.

**For AirPrime SL808xT and Q2698 embedded modules (default values are grayed):**

| Gain in index | Gain in dB | Real dB value | Gain in index | Gain in dB | Real dB value |
|---------------|------------|---------------|---------------|------------|---------------|
| 0             | -5000      | -50           | 4             | -1500      | -15           |
| 1             | -4100      | -41           | 5             | -500       | -5            |
| 2             | -3200      | -32           | 6             | 300        | 3             |
| 3             | -2300      | -23           | 7             | 1200       | 12            |

## 21.7. Gain Control +VGT



### 21.7.1. Description

This command is used by the application to set the microphone gain.

### 21.7.2. Syntax

*Action command*

```
AT+VGT=<Tgain>
```

OK

*Read command*

```
AT+VGT?
```

```
+VGT: <Tgain>
```

OK

*Test command*

```
AT+VGT=?
```

```
+VGT: (list of supported <Tgain>s)
```

OK

### 21.7.3. Parameters and Defined Values

**<Tgain>:**

transmission gain

There are two configuration modes:

- the gain is entered in deci dB units,
- the gain is entered in index.

By default gains are expressed in deci dB value.

All values are possible between the minimum and maximum values of the table given in the Notes section. If a value does not correspond to a table value, the nearest is kept.

If the configuration mode has been changed with +WBHV command to the index mode, the deci dB value will correspond to the index entered as described in the table of the Notes section.

## 21.7.4. Parameter Storage

All parameters are stored in EEPROM using the AT&W command. The default value can be restored using AT&F and AT+VIP=1.

## 21.7.5. Examples

| Command                                                                  | Responses                                                                                                   |
|--------------------------------------------------------------------------|-------------------------------------------------------------------------------------------------------------|
| <b>AT+VGT?</b><br><br><i>Note: Get current transmission gain value</i>   | +VGT: 700<br><br>OK                                                                                         |
| <b>AT+VGT=900</b>                                                        | OK                                                                                                          |
| <b>AT+VGT=?</b><br><br><i>Note: Test Command</i>                         | +VGT: (700-3500)<br><br>OK<br><br><i>Note: Possible values on Q268x and AirPrime WMP100 embedded module</i> |
| <b>AT+WBHV=8,1</b><br><br><i>Note: Set configuration to indexed mode</i> | OK                                                                                                          |
| <b>AT+VGT=9</b>                                                          | OK                                                                                                          |
| <b>AT+VGT?</b><br><br><i>Note: Get current transmission gain value</i>   | +VGT: 9<br><br>OK                                                                                           |
| <b>AT+VGT=?</b><br><br><i>Note: Test command</i>                         | +VGT: (0-52)<br><br>OK<br><br><i>Note: Possible values on AR6220 and WP6200 embedded modules</i>            |
| <b>AT+VGT=9</b>                                                          | OK                                                                                                          |
| <b>AT+VGT?</b><br><br><i>Note: Get current transmission gain value</i>   | +VGT: 9<br><br>OK                                                                                           |

## 21.7.6. Notes

This command returns +CME ERROR: 3 when:

- the parameter is out of range



Below are listed the values for <Tgain>. They are in deci dB units and index:

For AirPrime WMP100 and Q268x embedded modules (default values are grayed):

| Gain in Index | Gain in dB | Real dB value | Gain in Index | Gain in dB | Real dB value | Gain in Index | Gain in dB | Real dB value | Gain in Index | Gain in dB | Real dB value |
|---------------|------------|---------------|---------------|------------|---------------|---------------|------------|---------------|---------------|------------|---------------|
| 0             | 700        | 7             | 1             | 2000       | 20            | 2             | 3500       | 35            |               |            |               |

For AirPrime AR6220 and WP6200 embedded modules (default values are grayed):

| Gain in Index | Gain in dB | Real dB value | Gain in Index | Gain in dB | Real dB value | Gain in Index | Gain in dB | Real dB value | Gain in Index | Gain in dB | Real dB value |
|---------------|------------|---------------|---------------|------------|---------------|---------------|------------|---------------|---------------|------------|---------------|
| 0             | -1800      | -18           | 14            | -400       | -4            | 28            | 1000       | 10            | 42            | 2400       | 24            |
| 1             | -1700      | -17           | 15            | -300       | -3            | 29            | 1100       | 11            | 43            | 2500       | 25            |
| 2             | -1600      | -16           | 16            | -200       | -2            | 30            | 1200       | 12            | 44            | 2600       | 26            |
| 3             | -1500      | -15           | 17            | -100       | -1            | 31            | 1300       | 13            | 45            | 2700       | 27            |
| 4             | -1400      | -14           | 18            | 0          | 0             | 32            | 1400       | 14            | 46            | 2800       | 28            |
| 5             | -1300      | -13           | 19            | 100        | 1             | 33            | 1500       | 15            | 47            | 2900       | 29            |
| 6             | -1200      | -12           | 20            | 200        | 2             | 34            | 1600       | 16            | 48            | 3000       | 30            |
| 7             | -1100      | -11           | 21            | 300        | 3             | 35            | 1700       | 17            | 49            | 3100       | 31            |
| 8             | -1000      | -10           | 22            | 400        | 4             | 36            | 1800       | 18            | 50            | 3200       | 32            |
| 9             | -900       | -9            | 23            | 500        | 5             | 37            | 1900       | 19            | 51            | 3300       | 33            |
| 10            | -800       | -8            | 24            | 600        | 6             | 38            | 2000       | 20            | 52            | 3400       | 34            |
| 11            | -700       | -7            | 25            | 700        | 7             | 39            | 2100       | 21            |               |            |               |
| 12            | -600       | -6            | 26            | 800        | 8             | 40            | 2200       | 22            |               |            |               |
| 13            | -500       | -5            | 27            | 900        | 9             | 41            | 2300       | 23            |               |            |               |

For AirPrime SL808xT and Q2698 modules (default values are grayed):

| Gain in Index | Gain in dB | Real dB value | Gain in Index | Gain in dB | Real dB value | Gain in Index | Gain in dB | Real dB value | Gain in Index | Gain in dB | Real dB value |
|---------------|------------|---------------|---------------|------------|---------------|---------------|------------|---------------|---------------|------------|---------------|
| 0             | 0          | 0             | 1             | 2400       | 24            |               |            |               |               |            |               |

## 21.8. Digital Gain Control +WDGR



### 21.8.1. Description

This Sierra Wireless proprietary command is used by the application to tune the receive digital gain of the speaker.

### 21.8.2. Syntax

#### *Action command*

```
AT+WDGR=<Configuration>,<Rgain>
```

```
OK
```

#### *Read command*

```
AT+WDGR?
```

```
+WDGR: <Configuration>,<Rgain>
```

```
[+WDGR: <Configuration>,<Rgain>[...]]
```

```
OK
```

#### *Test command*

```
AT+WDGR=?
```

```
+WDGR: <Configuration>, (list of supported <Rgain>s)
```

```
[+WDGR: <Configuration>, (list of supported <Rgain>s)]
```

```
OK
```

### 21.8.3. Parameters and Defined Values

|                               |                           |
|-------------------------------|---------------------------|
| <b>&lt;Configuration&gt;:</b> | audio configuration       |
| 1                             | HWL_AUDIO_DSP_RX_PGA_CONF |
| 2                             | HWL_AUDIO_DSP_RX_VOL_CONF |

|                        |                                                                                                                                                                                                                                                                                                                                                                                                                                                                                                                                                                                                                                                |
|------------------------|------------------------------------------------------------------------------------------------------------------------------------------------------------------------------------------------------------------------------------------------------------------------------------------------------------------------------------------------------------------------------------------------------------------------------------------------------------------------------------------------------------------------------------------------------------------------------------------------------------------------------------------------|
| <b>&lt;Rgain&gt;</b> : | <p>reception gain</p> <p>There are two configuration modes:</p> <ul style="list-style-type: none"> <li>• the gain is entered in deci dB units,</li> <li>• the gain is entered in index.</li> </ul> <p>By default gains are expressed in deci dB value.</p> <p>All values are possible between the minimum and maximum values of the table given in the Notes section. If a value does not correspond to a table value, the nearest is kept.</p> <p>If the configuration mode has been changed with +WBHV command to the index mode, the deci dB value will correspond to the index entered as described in the table of the Notes section.</p> |
|------------------------|------------------------------------------------------------------------------------------------------------------------------------------------------------------------------------------------------------------------------------------------------------------------------------------------------------------------------------------------------------------------------------------------------------------------------------------------------------------------------------------------------------------------------------------------------------------------------------------------------------------------------------------------|

## 21.8.4. Parameter Storage

The parameters are stored in EEPROM without using the AT&W command. The default value can be restored using AT&F and "AT+VIP=1".

## 21.8.5. Examples

| Command                                                               | Responses                                                                                                                             |
|-----------------------------------------------------------------------|---------------------------------------------------------------------------------------------------------------------------------------|
| <b>AT+WDGR=?</b>                                                      | +WDGR: 1, (-32768-1201)<br>+WDGR: 2, (-32768-1201)<br>OK<br><i>Note: Possible values on Q268x and AirPrime WMP100 embedded module</i> |
| <b>AT+WDGR=?</b>                                                      | +WDGR: 1, (-3600+1200)<br>OK<br><i>Note: Possible values on AR6220 and WP6200 embedded modules</i>                                    |
| <b>AT+WDGR=1, 879</b>                                                 | OK<br><i>Note: PGA configured with a gain of 8.79 dB</i>                                                                              |
| <b>AT+WDGR?</b>                                                       | +WDGR: 1, 879<br>+WDGR: 2, 1184<br>OK                                                                                                 |
| <b>AT+WBHV=8, 1</b><br><i>Note: Set configuration to indexed mode</i> | OK                                                                                                                                    |
| <b>AT+WDGR=?</b>                                                      | +WDGR: 1, (0-255)<br>+WDGR: 2, (0-255)<br>OK<br><i>Note: Possible values on Q268x and AirPrime WMP100 embedded module</i>             |

| Command       | Responses                                                |
|---------------|----------------------------------------------------------|
| AT+WDGR=1,176 | OK<br><i>Note: PGA configured with a gain of 8.79 dB</i> |
| AT+WDGR?      | +WDGR: 1,176<br>+WDGR: 2,250<br>OK                       |

## 21.8.6. Notes

Below are listed the values for <Rgain>. They are in deci dB units and index

For AirPrime WMP100 and Q268x embedded modules (default values are grayed):

| Gain in Index | Gain in dB | Real dB value | Gain in Index | Gain in dB | Real dB value | Gain in Index | Gain in dB | Real dB value | Gain in Index | Gain in dB | Real dB value |
|---------------|------------|---------------|---------------|------------|---------------|---------------|------------|---------------|---------------|------------|---------------|
| 0             | -32768     | -Inf          | 64            | 0          | 0             | 128           | 602        | 6.02          | 192           | 954        | 9.54          |
| 1             | -3612      | -36.12        | 65            | 13         | 0.13          | 129           | 609        | 6.09          | 193           | 959        | 9.59          |
| 2             | -3010      | -30.1         | 66            | 27         | 0.27          | 130           | 616        | 6.16          | 194           | 963        | 9.63          |
| 3             | -2658      | -26.58        | 67            | 40         | 0.4           | 131           | 622        | 6.22          | 195           | 968        | 9.68          |
| 4             | -2408      | -24.08        | 68            | 53         | 0.53          | 132           | 629        | 6.29          | 196           | 972        | 9.72          |
| 5             | -2214      | -22.14        | 69            | 65         | 0.65          | 133           | 635        | 6.35          | 197           | 977        | 9.77          |
| 6             | -2056      | -20.56        | 70            | 78         | 0.78          | 134           | 642        | 6.42          | 198           | 981        | 9.81          |
| 7             | -1922      | -19.22        | 71            | 90         | 0.9           | 135           | 648        | 6.48          | 199           | 985        | 9.85          |
| 8             | -1806      | -18.06        | 72            | 102        | 1.02          | 136           | 655        | 6.55          | 200           | 990        | 9.9           |
| 9             | -1704      | -17.04        | 73            | 114        | 1.14          | 137           | 661        | 6.61          | 201           | 994        | 9.94          |
| 10            | -1612      | -16.12        | 74            | 126        | 1.26          | 138           | 667        | 6.67          | 202           | 998        | 9.98          |
| 11            | -1530      | -15.3         | 75            | 138        | 1.38          | 139           | 674        | 6.74          | 203           | 1003       | 10.03         |
| 12            | -1454      | -14.54        | 76            | 149        | 1.49          | 140           | 680        | 6.8           | 204           | 1007       | 10.07         |
| 13            | -1384      | -13.84        | 77            | 161        | 1.61          | 141           | 686        | 6.86          | 205           | 1011       | 10.11         |
| 14            | -1320      | -13.2         | 78            | 172        | 1.72          | 142           | 692        | 6.92          | 206           | 1015       | 10.15         |
| 15            | -1260      | -12.6         | 79            | 183        | 1.83          | 143           | 698        | 6.98          | 207           | 1020       | 10.2          |
| 16            | -1204      | -12.04        | 80            | 194        | 1.94          | 144           | 704        | 7.04          | 208           | 1024       | 10.24         |
| 17            | -1151      | -11.51        | 81            | 205        | 2.05          | 145           | 710        | 7.1           | 209           | 1028       | 10.28         |

| Gain in Index | Gain in dB | Real dB value | Gain in Index | Gain in dB | Real dB value | Gain in Index | Gain in dB | Real dB value | Gain in Index | Gain in dB | Real dB value |
|---------------|------------|---------------|---------------|------------|---------------|---------------|------------|---------------|---------------|------------|---------------|
| 18            | -1102      | -11.02        | 82            | 215        | 2.15          | 146           | 716        | 7.16          | 210           | 1032       | 10.32         |
| 19            | -1055      | -10.55        | 83            | 226        | 2.26          | 147           | 722        | 7.22          | 211           | 1036       | 10.36         |
| 20            | -1010      | -10.1         | 84            | 236        | 2.36          | 148           | 728        | 7.28          | 212           | 1040       | 10.4          |
| 21            | -968       | -9.68         | 85            | 246        | 2.46          | 149           | 734        | 7.34          | 213           | 1044       | 10.44         |
| 22            | -928       | -9.28         | 86            | 257        | 2.57          | 150           | 740        | 7.4           | 214           | 1048       | 10.48         |
| 23            | -889       | -8.89         | 87            | 267        | 2.67          | 151           | 746        | 7.46          | 215           | 1053       | 10.53         |
| 24            | -852       | -8.52         | 88            | 277        | 2.77          | 152           | 751        | 7.51          | 216           | 1057       | 10.57         |
| 25            | -816       | -8.16         | 89            | 286        | 2.86          | 153           | 757        | 7.57          | 217           | 1061       | 10.61         |
| 26            | -782       | -7.82         | 90            | 296        | 2.96          | 154           | 763        | 7.63          | 218           | 1065       | 10.65         |
| 27            | -750       | -7.5          | 91            | 306        | 3.06          | 155           | 768        | 7.68          | 219           | 1069       | 10.69         |
| 28            | -718       | -7.18         | 92            | 315        | 3.15          | 156           | 774        | 7.74          | 220           | 1072       | 10.72         |
| 29            | -688       | -6.88         | 93            | 325        | 3.25          | 157           | 779        | 7.79          | 221           | 1076       | 10.76         |
| 30            | -658       | -6.58         | 94            | 334        | 3.34          | 158           | 785        | 7.85          | 222           | 1080       | 10.8          |
| 31            | -630       | -6.3          | 95            | 343        | 3.43          | 159           | 790        | 7.9           | 223           | 1084       | 10.84         |
| 32            | -602       | -6.02         | 96            | 352        | 3.52          | 160           | 796        | 7.96          | 224           | 1088       | 10.88         |
| 33            | -575       | -5.75         | 97            | 361        | 3.61          | 161           | 801        | 8.01          | 225           | 1092       | 10.92         |
| 34            | -549       | -5.49         | 98            | 370        | 3.7           | 162           | 807        | 8.07          | 226           | 1096       | 10.96         |
| 35            | -524       | -5.24         | 99            | 379        | 3.79          | 163           | 812        | 8.12          | 227           | 1100       | 11            |
| 36            | -500       | -5            | 100           | 388        | 3.88          | 164           | 817        | 8.17          | 228           | 1104       | 11.04         |
| 37            | -476       | -4.76         | 101           | 396        | 3.96          | 165           | 823        | 8.23          | 229           | 1107       | 11.07         |
| 38            | -453       | -4.53         | 102           | 405        | 4.05          | 166           | 828        | 8.28          | 230           | 1111       | 11.11         |
| 39            | -430       | -4.3          | 103           | 413        | 4.13          | 167           | 833        | 8.33          | 231           | 1115       | 11.15         |
| 40            | -408       | -4.08         | 104           | 422        | 4.22          | 168           | 838        | 8.38          | 232           | 1119       | 11.19         |
| 41            | -387       | -3.87         | 105           | 430        | 4.3           | 169           | 843        | 8.43          | 233           | 1122       | 11.22         |
| 42            | -366       | -3.66         | 106           | 438        | 4.38          | 170           | 849        | 8.49          | 234           | 1126       | 11.26         |
| 43            | -345       | -3.45         | 107           | 446        | 4.46          | 171           | 854        | 8.54          | 235           | 1130       | 11.3          |
| 44            | -325       | -3.25         | 108           | 454        | 4.54          | 172           | 859        | 8.59          | 236           | 1133       | 11.33         |

| Gain in Index | Gain in dB | Real dB value | Gain in Index | Gain in dB | Real dB value | Gain in Index | Gain in dB | Real dB value | Gain in Index | Gain in dB | Real dB value |
|---------------|------------|---------------|---------------|------------|---------------|---------------|------------|---------------|---------------|------------|---------------|
| 45            | -306       | -3.06         | 109           | 462        | 4.62          | 173           | 864        | 8.64          | 237           | 1137       | 11.37         |
| 46            | -287       | -2.87         | 110           | 470        | 4.7           | 174           | 869        | 8.69          | 238           | 1141       | 11.41         |
| 47            | -268       | -2.68         | 111           | 478        | 4.78          | 175           | 874        | 8.74          | 239           | 1144       | 11.44         |
| 48            | -250       | -2.5          | 112           | 486        | 4.86          | 176           | 879        | 8.79          | 240           | 1148       | 11.48         |
| 49            | -232       | -2.32         | 113           | 494        | 4.94          | 177           | 884        | 8.84          | 241           | 1152       | 11.52         |
| 50            | -214       | -2.14         | 114           | 501        | 5.01          | 178           | 888        | 8.88          | 242           | 1155       | 11.55         |
| 51            | -197       | -1.97         | 115           | 509        | 5.09          | 179           | 893        | 8.93          | 243           | 1159       | 11.59         |
| 52            | -180       | -1.8          | 116           | 517        | 5.17          | 180           | 898        | 8.98          | 244           | 1162       | 11.62         |
| 53            | -164       | -1.64         | 117           | 524        | 5.24          | 181           | 903        | 9.03          | 245           | 1166       | 11.66         |
| 54            | -148       | -1.48         | 118           | 531        | 5.31          | 182           | 908        | 9.08          | 246           | 1170       | 11.7          |
| 55            | -132       | -1.32         | 119           | 539        | 5.39          | 183           | 913        | 9.13          | 247           | 1173       | 11.73         |
| 56            | -116       | -1.16         | 120           | 546        | 5.46          | 184           | 917        | 9.17          | 248           | 1177       | 11.77         |
| 57            | -101       | -1.01         | 121           | 553        | 5.53          | 185           | 922        | 9.22          | 249           | 1180       | 11.8          |
| 58            | -86        | -0.86         | 122           | 560        | 5.6           | 186           | 927        | 9.27          | 250           | 1184       | 11.84         |
| 59            | -71        | -0.71         | 123           | 567        | 5.67          | 187           | 931        | 9.31          | 251           | 1187       | 11.87         |
| 60            | -56        | -0.56         | 124           | 574        | 5.74          | 188           | 936        | 9.36          | 252           | 1190       | 11.9          |
| 61            | -42        | -0.42         | 125           | 581        | 5.81          | 189           | 941        | 9.41          | 253           | 1194       | 11.94         |
| 62            | -28        | -0.28         | 126           | 588        | 5.88          | 190           | 945        | 9.45          | 254           | 1197       | 11.97         |
| 63            | -14        | -0.14         | 127           | 595        | 5.95          | 191           | 950        | 9.5           | 255           | 1201       | 12.01         |

For AirPrime AR6220 and WP6200 embedded modules (default values are grayed):

| Gain in Index | Gain in dB | Real dB value | Gain in Index | Gain in dB | Real dB value | Gain in Index | Gain in dB | Real dB value | Gain in Index | Gain in dB | Real dB value |
|---------------|------------|---------------|---------------|------------|---------------|---------------|------------|---------------|---------------|------------|---------------|
| 0             | -3600      | -36           | 26            | -2300      | -23           | 52            | -1000      | -10           | 78            | 300        | 3             |
| 1             | -3550      | -35.5         | 27            | -2250      | -22.5         | 53            | -950       | -9.5          | 79            | 350        | 3.5           |
| 2             | -3500      | -35           | 28            | -2200      | -22           | 54            | -900       | -9            | 80            | 400        | 4             |
| 3             | -3450      | -34.5         | 29            | -2150      | -21.5         | 55            | -850       | -8.5          | 81            | 450        | 4.5           |
| 4             | -3400      | -34           | 30            | -2100      | -21           | 56            | -800       | -8            | 82            | 500        | 5             |
| 5             | -3350      | -33.5         | 31            | -2050      | -20.5         | 57            | -750       | -7.5          | 83            | 550        | 5.5           |
| 6             | -3300      | -33           | 32            | -2000      | -20           | 58            | -700       | -7            | 84            | 600        | 6             |
| 7             | -3250      | -32.5         | 33            | -1950      | -19.5         | 59            | -650       | -6.5          | 85            | 650        | 6.5           |
| 8             | -3200      | -32           | 34            | -1900      | -19           | 60            | -600       | -6            | 86            | 700        | 7             |
| 9             | -3150      | -31.5         | 35            | -1850      | -18.5         | 61            | -550       | -5.5          | 87            | 750        | 7.5           |
| 10            | -3100      | -31           | 36            | -1800      | -18           | 62            | -500       | -5            | 88            | 800        | 8             |
| 11            | -3050      | -30.5         | 37            | -1750      | -17.5         | 63            | -450       | -4.5          | 89            | 850        | 8.5           |
| 12            | -3000      | -30           | 38            | -1700      | -17           | 64            | -400       | -4            | 90            | 900        | 9             |
| 13            | -2950      | -29.5         | 39            | -1650      | -16.5         | 65            | -350       | -3.5          | 91            | 950        | 9.5           |
| 14            | -2900      | -29           | 40            | -1600      | -16           | 66            | -300       | -3            | 92            | 1000       | 10            |
| 15            | -2850      | -28.5         | 41            | -1550      | -15.5         | 67            | -250       | -2.5          | 93            | 1050       | 10.5          |
| 16            | -2800      | -28           | 42            | -1500      | -15           | 68            | -200       | -2            | 94            | 1100       | 11            |
| 17            | -2750      | -27.5         | 43            | -1450      | -14.5         | 69            | -150       | -1.5          | 95            | 1150       | 11.5          |
| 18            | -2700      | -27           | 44            | -1400      | -14           | 70            | -100       | -1            | 96            | 1200       | 12            |
| 19            | -2650      | -26.5         | 45            | -1350      | -13.5         | 71            | -50        | -0.5          |               |            |               |
| 20            | -2600      | -26           | 46            | -1300      | -13           | 72            | 0          | 0             |               |            |               |
| 21            | -2550      | -25.5         | 47            | -1250      | -12.5         | 73            | 50         | 0.5           |               |            |               |
| 22            | -2500      | -25           | 48            | -1200      | -12           | 74            | 100        | 1             |               |            |               |
| 23            | -2450      | -24.5         | 49            | -1150      | -11.5         | 75            | 150        | 1.5           |               |            |               |
| 24            | -2400      | -24           | 50            | -1100      | -11           | 76            | 200        | 2             |               |            |               |
| 25            | -2350      | -23.5         | 51            | -1050      | -10.5         | 77            | 250        | 2.5           |               |            |               |

For AirPrime SL808xT and Q2698 embedded modules (default value is grayed):

| Gain in index | Gain in dB | Real dB Value | Gain in index | Gain in dB | Real dB Value | Gain in index | Gain in dB | Real dB Value | Gain in index | Gain in dB | Real dB Value |
|---------------|------------|---------------|---------------|------------|---------------|---------------|------------|---------------|---------------|------------|---------------|
| 0             | -32768     | -Inf          | 16            | -3260      | -32.6         | 32            | -1860      | -18.62        | 48            | -620       | -6.16         |
| 1             | -6020      | -60.21        | 17            | -3130      | -31.26        | 33            | -1750      | -17.54        | 49            | -510       | -5.12         |
| 2             | -5420      | -54.19        | 18            | -3010      | -30.1         | 34            | -1660      | -16.57        | 50            | -420       | -4.19         |
| 3             | -5070      | -50.66        | 19            | -2910      | -29.08        | 35            | -1570      | -15.7         | 51            | -340       | -3.35         |
| 4             | -4820      | -48.16        | 20            | -2820      | -28.16        | 36            | -1490      | -14.91        | 52            | -260       | -2.59         |
| 5             | -4620      | -46.23        | 21            | -2730      | -27.34        | 37            | -1420      | -14.19        | 53            | -190       | -1.89         |
| 6             | -4460      | -44.64        | 22            | -2660      | -26.58        | 38            | -1350      | -13.52        | 54            | -120       | -1.24         |
| 7             | -4330      | -43.3         | 23            | -2590      | -25.89        | 39            | -1290      | -12.9         | 55            | -60        | -0.63         |
| 8             | -4210      | -42.14        | 24            | -2520      | -25.24        | 40            | -1230      | -12.32        | 56            | -10        | -0.07         |
| 9             | -4020      | -40.21        | 25            | -2410      | -24.08        | 41            | -1130      | -11.26        | 57            | 100        | 0.96          |
| 10            | -3860      | -38.62        | 26            | -2310      | -23.06        | 42            | -1030      | -10.32        | 58            | 190        | 1.88          |
| 11            | -3730      | -37.28        | 27            | -2210      | -22.14        | 43            | -950       | -9.47         | 59            | 270        | 2.72          |
| 12            | -3610      | -36.12        | 28            | -2130      | -21.32        | 44            | -870       | -8.7          | 60            | 350        | 3.48          |
| 13            | -3510      | -35.1         | 29            | -2060      | -20.56        | 45            | -800       | -7.99         | 61            | 420        | 4.18          |
| 14            | -3420      | -34.19        | 30            | -1990      | -19.87        | 46            | -730       | -7.34         | 62            | 480        | 4.82          |
| 15            | -3340      | -33.36        | 31            | -1920      | -19.22        | 47            | -670       | -6.73         | 63            | 540        | 5.42          |



## 21.9. Digital Gain Control +WDGT



### 21.9.1. Description

This Sierra Wireless proprietary command is used by the application to tune the transmit digital gain of the microphone.

### 21.9.2. Syntax

#### *Action command*

```
AT+WDGT=<Configuration>,<Tgain>  
OK
```

#### *Read command*

```
AT+WDGT?  
+WDGT: <Configuration>,<Tgain>  
[+WDGT: <Configuration>,<Tgain>[...]]  
OK
```

#### *Test command*

```
AT+WDGT=?  
+WDGT: (list of supported <Configuration>s), (list of supported <Tgain>s)  
OK
```

### 21.9.3. Parameters and Defined Values

|                               |                                                                                                                                                                                                                                                                                                                                                                                                                                                                                                                                                                                                                      |
|-------------------------------|----------------------------------------------------------------------------------------------------------------------------------------------------------------------------------------------------------------------------------------------------------------------------------------------------------------------------------------------------------------------------------------------------------------------------------------------------------------------------------------------------------------------------------------------------------------------------------------------------------------------|
| <b>&lt;Configuration&gt;:</b> | audio configuration                                                                                                                                                                                                                                                                                                                                                                                                                                                                                                                                                                                                  |
| 1                             | HWL_AUDIO_DSP_TX_PGA_CONF                                                                                                                                                                                                                                                                                                                                                                                                                                                                                                                                                                                            |
| <b>&lt;Tgain&gt;:</b>         | transmission gain                                                                                                                                                                                                                                                                                                                                                                                                                                                                                                                                                                                                    |
|                               | <p>There are two configuration modes:</p> <ul style="list-style-type: none"> <li>the gain is entered in deci dB units,</li> <li>the gain is entered in index.</li> </ul> <p>By default gains are expressed in deci dB value.</p> <p>All values are possible between the minimum and maximum values of the table given in the Notes section. If a value does not correspond to a table value, the nearest is kept.</p> <p>If the configuration mode has been changed with +WBHV command to the index mode, the deci dB value will correspond to the index entered as described in the table of the Notes section.</p> |

### 21.9.4. Parameter Storage

The parameters are stored in EEPROM without using the AT&W command. The default value can be restored using AT&F and "AT+VIP=1".

### 21.9.5. Examples

| Command                                                        | Responses                                                                                                    |
|----------------------------------------------------------------|--------------------------------------------------------------------------------------------------------------|
| AT+WDGT=?                                                      | +WDGT: (1), (-32768-1201)<br>OK<br><i>Note: Possible values on Q268x and AirPrime WMP100 embedded module</i> |
| AT+WDGT=?                                                      | +WDGT: (1), (-3600+1200)<br>OK<br><i>Note: Possible values on AR6220 and WP6200 embedded modules</i>         |
| AT+WDGT=1, 879                                                 | OK<br><i>Note: PGA configured with a gain of 8.79 dB</i>                                                     |
| AT+WDGT?                                                       | +WDGT: 1, 879<br>OK                                                                                          |
| AT+WBHV=8, 1<br><i>Note: Set configuration to indexed mode</i> | OK                                                                                                           |

| Command       | Responses                                                                                              |
|---------------|--------------------------------------------------------------------------------------------------------|
| AT+WDGT=?     | +WDGT: (1), (0-255)<br>OK<br><i>Note: Possible values on Q268x and AirPrime WMP100 embedded module</i> |
| AT+WDGT=1,176 | OK<br><i>Note: PGA configured with a gain of 8.79 dB</i>                                               |
| AT+WDGT?      | +WDGT: 1,176<br>OK                                                                                     |

## 21.9.6. Notes

Below are listed the values for <Tgain>. They are in deci dB units and index.

For AirPrime WMP100 and Q268x embedded modules (default values are grayed):

| Gain in Index | Gain in dB | Real dB value | Gain in Index | Gain in dB | Real dB value | Gain in Index | Gain in dB | Real dB value | Gain in Index | Gain in dB | Real dB value |
|---------------|------------|---------------|---------------|------------|---------------|---------------|------------|---------------|---------------|------------|---------------|
| 0             | -32768     | -Inf          | 64            | 0          | 0             | 128           | 602        | 6.02          | 192           | 954        | 9.54          |
| 1             | -3612      | -36.12        | 65            | 13         | 0.13          | 129           | 609        | 6.09          | 193           | 959        | 9.59          |
| 2             | -3010      | -30.1         | 66            | 27         | 0.27          | 130           | 616        | 6.16          | 194           | 963        | 9.63          |
| 3             | -2658      | -26.58        | 67            | 40         | 0.4           | 131           | 622        | 6.22          | 195           | 968        | 9.68          |
| 4             | -2408      | -24.08        | 68            | 53         | 0.53          | 132           | 629        | 6.29          | 196           | 972        | 9.72          |
| 5             | -2214      | -22.14        | 69            | 65         | 0.65          | 133           | 635        | 6.35          | 197           | 977        | 9.77          |
| 6             | -2056      | -20.56        | 70            | 78         | 0.78          | 134           | 642        | 6.42          | 198           | 981        | 9.81          |
| 7             | -1922      | -19.22        | 71            | 90         | 0.9           | 135           | 648        | 6.48          | 199           | 985        | 9.85          |
| 8             | -1806      | -18.06        | 72            | 102        | 1.02          | 136           | 655        | 6.55          | 200           | 990        | 9.9           |
| 9             | -1704      | -17.04        | 73            | 114        | 1.14          | 137           | 661        | 6.61          | 201           | 994        | 9.94          |
| 10            | -1612      | -16.12        | 74            | 126        | 1.26          | 138           | 667        | 6.67          | 202           | 998        | 9.98          |
| 11            | -1530      | -15.3         | 75            | 138        | 1.38          | 139           | 674        | 6.74          | 203           | 1003       | 10.03         |
| 12            | -1454      | -14.54        | 76            | 149        | 1.49          | 140           | 680        | 6.8           | 204           | 1007       | 10.07         |
| 13            | -1384      | -13.84        | 77            | 161        | 1.61          | 141           | 686        | 6.86          | 205           | 1011       | 10.11         |
| 14            | -1320      | -13.2         | 78            | 172        | 1.72          | 142           | 692        | 6.92          | 206           | 1015       | 10.15         |
| 15            | -1260      | -12.6         | 79            | 183        | 1.83          | 143           | 698        | 6.98          | 207           | 1020       | 10.2          |

| Gain in Index | Gain in dB | Real dB value | Gain in Index | Gain in dB | Real dB value | Gain in Index | Gain in dB | Real dB value | Gain in Index | Gain in dB | Real dB value |
|---------------|------------|---------------|---------------|------------|---------------|---------------|------------|---------------|---------------|------------|---------------|
| 16            | -1204      | -12.04        | 80            | 194        | 1.94          | 144           | 704        | 7.04          | 208           | 1024       | 10.24         |
| 17            | -1151      | -11.51        | 81            | 205        | 2.05          | 145           | 710        | 7.1           | 209           | 1028       | 10.28         |
| 18            | -1102      | -11.02        | 82            | 215        | 2.15          | 146           | 716        | 7.16          | 210           | 1032       | 10.32         |
| 19            | -1055      | -10.55        | 83            | 226        | 2.26          | 147           | 722        | 7.22          | 211           | 1036       | 10.36         |
| 20            | -1010      | -10.1         | 84            | 236        | 2.36          | 148           | 728        | 7.28          | 212           | 1040       | 10.4          |
| 21            | -968       | -9.68         | 85            | 246        | 2.46          | 149           | 734        | 7.34          | 213           | 1044       | 10.44         |
| 22            | -928       | -9.28         | 86            | 257        | 2.57          | 150           | 740        | 7.4           | 214           | 1048       | 10.48         |
| 23            | -889       | -8.89         | 87            | 267        | 2.67          | 151           | 746        | 7.46          | 215           | 1053       | 10.53         |
| 24            | -852       | -8.52         | 88            | 277        | 2.77          | 152           | 751        | 7.51          | 216           | 1057       | 10.57         |
| 25            | -816       | -8.16         | 89            | 286        | 2.86          | 153           | 757        | 7.57          | 217           | 1061       | 10.61         |
| 26            | -782       | -7.82         | 90            | 296        | 2.96          | 154           | 763        | 7.63          | 218           | 1065       | 10.65         |
| 27            | -750       | -7.5          | 91            | 306        | 3.06          | 155           | 768        | 7.68          | 219           | 1069       | 10.69         |
| 28            | -718       | -7.18         | 92            | 315        | 3.15          | 156           | 774        | 7.74          | 220           | 1072       | 10.72         |
| 29            | -688       | -6.88         | 93            | 325        | 3.25          | 157           | 779        | 7.79          | 221           | 1076       | 10.76         |
| 30            | -658       | -6.58         | 94            | 334        | 3.34          | 158           | 785        | 7.85          | 222           | 1080       | 10.8          |
| 31            | -630       | -6.3          | 95            | 343        | 3.43          | 159           | 790        | 7.9           | 223           | 1084       | 10.84         |
| 32            | -602       | -6.02         | 96            | 352        | 3.52          | 160           | 796        | 7.96          | 224           | 1088       | 10.88         |
| 33            | -575       | -5.75         | 97            | 361        | 3.61          | 161           | 801        | 8.01          | 225           | 1092       | 10.92         |
| 34            | -549       | -5.49         | 98            | 370        | 3.7           | 162           | 807        | 8.07          | 226           | 1096       | 10.96         |
| 35            | -524       | -5.24         | 99            | 379        | 3.79          | 163           | 812        | 8.12          | 227           | 1100       | 11            |
| 36            | -500       | -5            | 100           | 388        | 3.88          | 164           | 817        | 8.17          | 228           | 1104       | 11.04         |
| 37            | -476       | -4.76         | 101           | 396        | 3.96          | 165           | 823        | 8.23          | 229           | 1107       | 11.07         |
| 38            | -453       | -4.53         | 102           | 405        | 4.05          | 166           | 828        | 8.28          | 230           | 1111       | 11.11         |
| 39            | -430       | -4.3          | 103           | 413        | 4.13          | 167           | 833        | 8.33          | 231           | 1115       | 11.15         |
| 40            | -408       | -4.08         | 104           | 422        | 4.22          | 168           | 838        | 8.38          | 232           | 1119       | 11.19         |
| 41            | -387       | -3.87         | 105           | 430        | 4.3           | 169           | 843        | 8.43          | 233           | 1122       | 11.22         |
| 42            | -366       | -3.66         | 106           | 438        | 4.38          | 170           | 849        | 8.49          | 234           | 1126       | 11.26         |

| Gain in Index | Gain in dB | Real dB value | Gain in Index | Gain in dB | Real dB value | Gain in Index | Gain in dB | Real dB value | Gain in Index | Gain in dB | Real dB value |
|---------------|------------|---------------|---------------|------------|---------------|---------------|------------|---------------|---------------|------------|---------------|
| 43            | -345       | -3.45         | 107           | 446        | 4.46          | 171           | 854        | 8.54          | 235           | 1130       | 11.3          |
| 44            | -325       | -3.25         | 108           | 454        | 4.54          | 172           | 859        | 8.59          | 236           | 1133       | 11.33         |
| 45            | -306       | -3.06         | 109           | 462        | 4.62          | 173           | 864        | 8.64          | 237           | 1137       | 11.37         |
| 46            | -287       | -2.87         | 110           | 470        | 4.7           | 174           | 869        | 8.69          | 238           | 1141       | 11.41         |
| 47            | -268       | -2.68         | 111           | 478        | 4.78          | 175           | 874        | 8.74          | 239           | 1144       | 11.44         |
| 48            | -250       | -2.5          | 112           | 486        | 4.86          | 176           | 879        | 8.79          | 240           | 1148       | 11.48         |
| 49            | -232       | -2.32         | 113           | 494        | 4.94          | 177           | 884        | 8.84          | 241           | 1152       | 11.52         |
| 50            | -214       | -2.14         | 114           | 501        | 5.01          | 178           | 888        | 8.88          | 242           | 1155       | 11.55         |
| 51            | -197       | -1.97         | 115           | 509        | 5.09          | 179           | 893        | 8.93          | 243           | 1159       | 11.59         |
| 52            | -180       | -1.8          | 116           | 517        | 5.17          | 180           | 898        | 8.98          | 244           | 1162       | 11.62         |
| 53            | -164       | -1.64         | 117           | 524        | 5.24          | 181           | 903        | 9.03          | 245           | 1166       | 11.66         |
| 54            | -148       | -1.48         | 118           | 531        | 5.31          | 182           | 908        | 9.08          | 246           | 1170       | 11.7          |
| 55            | -132       | -1.32         | 119           | 539        | 5.39          | 183           | 913        | 9.13          | 247           | 1173       | 11.73         |
| 56            | -116       | -1.16         | 120           | 546        | 5.46          | 184           | 917        | 9.17          | 248           | 1177       | 11.77         |
| 57            | -101       | -1.01         | 121           | 553        | 5.53          | 185           | 922        | 9.22          | 249           | 1180       | 11.8          |
| 58            | -86        | -0.86         | 122           | 560        | 5.6           | 186           | 927        | 9.27          | 250           | 1184       | 11.84         |
| 59            | -71        | -0.71         | 123           | 567        | 5.67          | 187           | 931        | 9.31          | 251           | 1187       | 11.87         |
| 60            | -56        | -0.56         | 124           | 574        | 5.74          | 188           | 936        | 9.36          | 252           | 1190       | 11.9          |
| 61            | -42        | -0.42         | 125           | 581        | 5.81          | 189           | 941        | 9.41          | 253           | 1194       | 11.94         |
| 62            | -28        | -0.28         | 126           | 588        | 5.88          | 190           | 945        | 9.45          | 254           | 1197       | 11.97         |
| 63            | -14        | -0.14         | 127           | 595        | 5.95          | 191           | 950        | 9.5           | 255           | 1201       | 12.01         |

**For AR6220 and WP6200 embedded modules (default values are grayed):**

| Gain in Index | Gain in dB | Real dB value | Gain in Index | Gain in dB | Real dB value | Gain in Index | Gain in dB | Real dB value | Gain in Index | Gain in dB | Real dB value |
|---------------|------------|---------------|---------------|------------|---------------|---------------|------------|---------------|---------------|------------|---------------|
| 0             | -3600      | -36           | 26            | -2300      | -23           | 52            | -1000      | -10           | 78            | 300        | 3             |
| 1             | -3550      | -35.5         | 27            | -2250      | -22.5         | 53            | -950       | -9.5          | 79            | 350        | 3.5           |
| 2             | -3500      | -35           | 28            | -2200      | -22           | 54            | -900       | -9            | 80            | 400        | 4             |
| 3             | -3450      | -34.5         | 29            | -2150      | -21.5         | 55            | -850       | -8.5          | 81            | 450        | 4.5           |
| 4             | -3400      | -34           | 30            | -2100      | -21           | 56            | -800       | -8            | 82            | 500        | 5             |
| 5             | -3350      | -33.5         | 31            | -2050      | -20.5         | 57            | -750       | -7.5          | 83            | 550        | 5.5           |
| 6             | -3300      | -33           | 32            | -2000      | -20           | 58            | -700       | -7            | 84            | 600        | 6             |
| 7             | -3250      | -32.5         | 33            | -1950      | -19.5         | 59            | -650       | -6.5          | 85            | 650        | 6.5           |
| 8             | -3200      | -32           | 34            | -1900      | -19           | 60            | -600       | -6            | 86            | 700        | 7             |
| 9             | -3150      | -31.5         | 35            | -1850      | -18.5         | 61            | -550       | -5.5          | 87            | 750        | 7.5           |
| 10            | -3100      | -31           | 36            | -1800      | -18           | 62            | -500       | -5            | 88            | 800        | 8             |
| 11            | -3050      | -30.5         | 37            | -1750      | -17.5         | 63            | -450       | -4.5          | 89            | 850        | 8.5           |
| 12            | -3000      | -30           | 38            | -1700      | -17           | 64            | -400       | -4            | 90            | 900        | 9             |
| 13            | -2950      | -29.5         | 39            | -1650      | -16.5         | 65            | -350       | -3.5          | 91            | 950        | 9.5           |
| 14            | -2900      | -29           | 40            | -1600      | -16           | 66            | -300       | -3            | 92            | 1000       | 10            |
| 15            | -2850      | -28.5         | 41            | -1550      | -15.5         | 67            | -250       | -2.5          | 93            | 1050       | 10.5          |
| 16            | -2800      | -28           | 42            | -1500      | -15           | 68            | -200       | -2            | 94            | 1100       | 11            |
| 17            | -2750      | -27.5         | 43            | -1450      | -14.5         | 69            | -150       | -1.5          | 95            | 1150       | 11.5          |
| 18            | -2700      | -27           | 44            | -1400      | -14           | 70            | -100       | -1            | 96            | 1200       | 12            |
| 19            | -2650      | -26.5         | 45            | -1350      | -13.5         | 71            | -50        | -0.5          |               |            |               |
| 20            | -2600      | -26           | 46            | -1300      | -13           | 72            | 0          | 0             |               |            |               |
| 21            | -2550      | -25.5         | 47            | -1250      | -12.5         | 73            | 50         | 0.5           |               |            |               |
| 22            | -2500      | -25           | 48            | -1200      | -12           | 74            | 100        | 1             |               |            |               |
| 23            | -2450      | -24.5         | 49            | -1150      | -11.5         | 75            | 150        | 1.5           |               |            |               |
| 24            | -2400      | -24           | 50            | -1100      | -11           | 76            | 200        | 2             |               |            |               |
| 25            | -2350      | -23.5         | 51            | -1050      | -10.5         | 77            | 250        | 2.5           |               |            |               |

For AirPrime SL808xT and Q2698 embedded modules (default value are grayed):

| Gain in index | Gain in dB | Real dB Value | Gain in index | Gain in dB | Real dB Value | Gain in index | Gain in dB | Real dB Value | Gain in index | Gain in dB | Real dB Value |
|---------------|------------|---------------|---------------|------------|---------------|---------------|------------|---------------|---------------|------------|---------------|
| 0             | -32768     | -Inf          | 16            | -3260      | -32.6         | 32            | -1860      | -18.62        | 48            | -620       | -6.16         |
| 1             | -6020      | -60.21        | 17            | -3130      | -31.26        | 33            | -1750      | -17.54        | 49            | -510       | -5.12         |
| 2             | -5420      | -54.19        | 18            | -3010      | -30.1         | 34            | -1660      | -16.57        | 50            | -420       | -4.19         |
| 3             | -5070      | -50.66        | 19            | -2910      | -29.08        | 35            | -1570      | -15.7         | 51            | -340       | -3.35         |
| 4             | -4820      | -48.16        | 20            | -2820      | -28.16        | 36            | -1490      | -14.91        | 52            | -260       | -2.59         |
| 5             | -4620      | -46.23        | 21            | -2730      | -27.34        | 37            | -1420      | -14.19        | 53            | -190       | -1.89         |
| 6             | -4460      | -44.64        | 22            | -2660      | -26.58        | 38            | -1350      | -13.52        | 54            | -120       | -1.24         |
| 7             | -4330      | -43.3         | 23            | -2590      | -25.89        | 39            | -1290      | -12.9         | 55            | -60        | -0.63         |
| 8             | -4210      | -42.14        | 24            | -2520      | -25.24        | 40            | -1230      | -12.32        | 56            | -10        | -0.07         |
| 9             | -4020      | -40.21        | 25            | -2410      | -24.08        | 41            | -1130      | -11.26        | 57            | 100        | 0.96          |
| 10            | -3860      | -38.62        | 26            | -2310      | -23.06        | 42            | -1030      | -10.32        | 58            | 190        | 1.88          |
| 11            | -3730      | -37.28        | 27            | -2210      | -22.14        | 43            | -950       | -9.47         | 59            | 270        | 2.72          |
| 12            | -3610      | -36.12        | 28            | -2130      | -21.32        | 44            | -870       | -8.7          | 60            | 350        | 3.48          |
| 13            | -3510      | -35.1         | 29            | -2060      | -20.56        | 45            | -800       | -7.99         | 61            | 420        | 4.18          |
| 14            | -3420      | -34.19        | 30            | -1990      | -19.87        | 46            | -730       | -7.34         | 62            | 480        | 4.82          |
| 15            | -3340      | -33.36        | 31            | -1920      | -19.22        | 47            | -670       | -6.73         | 63            | 540        | 5.42          |

## 21.10. Audio Filter Command +WADF



### 21.10.1. Description

This Sierra Wireless proprietary command enables/disables the high pass and low pass filters on TX and RX mode, and the FIR and FIR2 filters on RX mode.

---

**Note:** For AirPrime AR6220 and WP6200, this AT command is not available; the 32 band equalizers are only accessible through +ECHO command.

---

### 21.10.2. Syntax

- For <filter>=1,2,3 or 4

```
Action command  
AT+WADF=<mode>,<filter>[, [<param1>] [, [<param2>] [, [<param3>]  
[, [<param4>] [, [<param5>] [, [<param6>] [, [<param7>] [, [<param8>]  
[, [<param9>] [, [<param10>]]]]]]]]]]]  
OK
```

- For <filter>=5

```
Action command  
AT+WADF=<mode>,<filter>[, [<param1>] [, [<param2>] [, [<param3>]  
[, [<param4>] [, [<param5>] [, [<param6>] [, [<param7>] [, [<param8>]  
[, [<param9>] [, [<param10>] , [<param11>]]]]]]]]]]]  
OK
```

- For <filter>=6

```
Action command  
AT+WADF=<mode>,<filter>[, [<line>] [, [<param1>] [, [<param2>]  
[, [<param3>]...[, [<param16>]]]]]]]  
OK
```



*Read command*

**AT+WADF?**

- For <filter>=1,2,3 or 4

+WADF: <mode>, <filter>, <param1>, <param2>, <param3>, <param4>, <param5>, <param6>, <param7>, <param8>, <param9>, <param10> [...]

- For <filter>=5

+WADF: <mode>, <filter>, <param1>, <param2>, <param3>, <param4>, <param5>, <param6>, <param7>, <param8>, <param9>, <param10>, <param11> [...]

- For <filter>=6

+WADF:<mode>, <filter>, <line>, <param1>, <param2>, <param3>, <param4> [, [, <param5>] [, [, <param6>]... [, [, <param16>]]]] [...]

OK

*Test command*

**AT+WADF=?**

- For <filter>=1,2,3 or 4

+WADF: (list of supported <mode>s), <filter>, (list of supported <param1>s), (list of supported <param2>s), (list of supported <param3>s), (list of supported <param4>s), (list of supported <param5>s), (list of supported <param6>s), (list of supported <param7>s), (list of supported <param8>s), (list of supported <param9>s), (list of supported <param10>s) [...]

- For <filter>=5

+WADF: (list of supported <mode>s), <filter>, (list of supported <param1>s), (list of supported <param2>s), (list of supported <param3>s), (list of supported <param4>s), (list of supported <param5>s), (list of supported <param6>s), (list of supported <param7>s), (list of supported <param8>s), (list of supported <param9>s), (list of supported <param10>s), (list of supported <param11>s) [...]

- For <filter>=6

+WADM: (list of supported <mode>s), <filter>, (list of supported <line>s), (list of supported <param1>s), (list of supported <param2>s), (list of supported <param3>s), (list of supported <param4>s [, [(list of supported <param5>s)]... [, [(list of supported <param16>s)]]] [...]

OK

### 21.10.3. Parameters and Defined Values

|                                   |                                                                                                               |                                                                 |                                                            |      |
|-----------------------------------|---------------------------------------------------------------------------------------------------------------|-----------------------------------------------------------------|------------------------------------------------------------|------|
| <b>&lt;mode&gt;:</b>              | requested operation                                                                                           |                                                                 |                                                            |      |
|                                   | 0                                                                                                             | stop a specific filter                                          |                                                            |      |
|                                   | 1                                                                                                             | enable a specific filter                                        |                                                            |      |
|                                   | 2                                                                                                             | ask for the current parameters values of a specific filter      |                                                            |      |
| <b>&lt;filter&gt;:</b>            | filter type                                                                                                   |                                                                 |                                                            |      |
|                                   | 1                                                                                                             | high pass filter in TX mode                                     |                                                            |      |
|                                   | 2                                                                                                             | high pass filter in RX mode                                     |                                                            |      |
|                                   | 3                                                                                                             | low pass filter in TX mode                                      |                                                            |      |
|                                   | 4                                                                                                             | low pass filter in RX mode                                      |                                                            |      |
|                                   | 5                                                                                                             | FIR filter (Finite impulse response numeric filter) in RX mode  |                                                            |      |
|                                   | 6                                                                                                             | FIR2 filter (Finite impulse response numeric filter) in RX mode |                                                            |      |
| <b>&lt;line&gt;:</b>              | (0-1)<br>only for <filter>=6<br>FIR2 has 2 lines of 16 parameters (32 parameters are used to set FIR2 filter) |                                                                 |                                                            |      |
| <b>&lt;param<sub>x</sub>&gt;:</b> | filter parameters                                                                                             |                                                                 |                                                            |      |
|                                   |                                                                                                               | <b>range</b>                                                    | <b>high pass filter in TX and RX mode (default values)</b> |      |
|                                   |                                                                                                               |                                                                 | <b>low pass filter in TX and RX mode (default values)</b>  |      |
| For <filter>= 1,2,3 or 4          | <b>&lt;param1&gt;</b>                                                                                         | 0-65535                                                         | 4032                                                       | 0    |
|                                   | <b>&lt;param2&gt;</b>                                                                                         | 0-65535                                                         | 61562                                                      | 0    |
|                                   | <b>&lt;param3&gt;</b>                                                                                         | 0-65535                                                         | 57484                                                      | 0    |
|                                   | <b>&lt;param4&gt;</b>                                                                                         | 0-65535                                                         | 8051                                                       | 0    |
|                                   | <b>&lt;param5&gt;</b>                                                                                         | 0-65535                                                         | 4032                                                       | 4096 |
|                                   | <b>&lt;param6&gt;</b>                                                                                         | 0-65535                                                         | 0                                                          | 0    |
|                                   | <b>&lt;param7&gt;</b>                                                                                         | 0-65535                                                         | 0                                                          | 0    |
|                                   | <b>&lt;param8&gt;</b>                                                                                         | 0-65535                                                         | 61617                                                      | 0    |
|                                   | <b>&lt;param9&gt;</b>                                                                                         | 0-65535                                                         | 3742                                                       | 0    |
|                                   | <b>&lt;param10&gt;</b>                                                                                        | 0-65535                                                         | 3919                                                       | 4096 |

|                   |                        |                                                                                                                                                                                          |
|-------------------|------------------------|------------------------------------------------------------------------------------------------------------------------------------------------------------------------------------------|
| For<br><filter>=5 | <param1>               | Symmetrical: (0-1) – default value: 0                                                                                                                                                    |
|                   | <param2>               | Gain: (0-255) - default value: 0                                                                                                                                                         |
|                   | <param3>-<br><param11> | FIR Coefficients: (0-65365)<br>For <param3>, default value is 32767<br>For all other params, default value is 0                                                                          |
| For<br><filter>=6 | <param1>-<br><param16> | FIR2 Coefficients: (0-65365)<br>For <line>=0:<br><param1> default value is 32767.<br><param2>-<param16> default values are 0<br>For <line>=1:<br><param1>-<param16> default values are 0 |

### 21.10.4. Parameter Storage

The parameters are stored in EEPROM without using the AT&W.command. The default value can be restored using AT&F and "AT+VIP=1".

### 21.10.5. Examples

| Command          | Responses                                                                                                                                                                                                                                                                                                                                                                                                                                                                                                                                                                |
|------------------|--------------------------------------------------------------------------------------------------------------------------------------------------------------------------------------------------------------------------------------------------------------------------------------------------------------------------------------------------------------------------------------------------------------------------------------------------------------------------------------------------------------------------------------------------------------------------|
| <b>AT+WADF=?</b> | +WADF: (0-2), 1, (0-65535), (0-65535), (0-65535), (0-65535), (0-65535), (0-65535), (0-65535), (0-65535), (0-65535), (0-65535)<br>+WADF: (0-2), 2, (0-65535), (0-65535), (0-65535), (0-65535), (0-65535), (0-65535), (0-65535), (0-65535), (0-65535)<br>+WADF: (0-2), 3, (0-65535), (0-65535), (0-65535), (0-65535), (0-65535), (0-65535), (0-65535), (0-65535), (0-65535)<br>+WADF: (0-2), 4, (0-65535), (0-65535), (0-65535), (0-65535), (0-65535), (0-65535), (0-65535), (0-65535), (0-65535)<br>OK<br><i>Note: Possible values on AirPrime WMP100, AirPrime WMP50</i> |

| Command                                                                                                                                                                                                        | Responses                                                                                                                                                                                                                                                                                                                                       |
|----------------------------------------------------------------------------------------------------------------------------------------------------------------------------------------------------------------|-------------------------------------------------------------------------------------------------------------------------------------------------------------------------------------------------------------------------------------------------------------------------------------------------------------------------------------------------|
| <b>AT+WADF?</b>                                                                                                                                                                                                | +WADF:<br>0,1,4032,61562,57484,8051,4032,0,0,61617,3742,3919<br><br>+WADF:<br>0,2,4032,61562,57484,8051,4032,0,0,61617,3742,3919<br><br>+WADF: 0,3,0,0,0,0,4096,0,0,0,0,4096<br><br>+WADF: 0,4,0,0,0,0,4096,0,0,0,0,4096<br><br>OK<br><br><i>Note : Read the status and parameter values for all filters on AirPrime WMP100, AirPrime WMP50</i> |
| <b>AT+WADF=1,1,0,1,2,3,4,5,6,7,8,9</b><br><br><i>Note: Activate the high pass filter in TX mode with params (0,1,2,3,4,5,6,7,8,9)</i>                                                                          | OK                                                                                                                                                                                                                                                                                                                                              |
| <b>AT+WADF=2,1</b><br><br><i>Note: Ask for the current params values of the high pass filter in TX mode</i>                                                                                                    | +WADF: 1,1,0,1,2,3,4,5,6,7,8,9<br><br>OK                                                                                                                                                                                                                                                                                                        |
| <b>AT+WADF?</b>                                                                                                                                                                                                | +WADF: 1,1,0,1,2,3,4,5,6,7,8,9<br><br>+WADF: 0,2,4032,61562,57484,8051,4032,0,0,61617,3742,3919<br><br>+WADF: 0,3,0,0,0,0,4096,0,0,0,0,4096<br><br>+WADF: 0,4,0,0,0,0,4096,0,0,0,0,4096<br><br>OK<br><br><i>Note: Ask for the current params values of all filters on AirPrime WMP100</i>                                                       |
| <b>AT+WADF=1,1,9,8,7,6,5,4,3,2,1,0</b><br><br><i>Note : Update the params value of the high pass filter in TX mode. The &lt;mode&gt; parameter has the current value, the activation mode will not change.</i> | OK                                                                                                                                                                                                                                                                                                                                              |
| <b>AT+WADF=2,1</b><br><br><i>Note: Ask for the current params values of the high pass filter in TX mode</i>                                                                                                    | +WADF: 1,1,9,8,7,6,5,4,3,2,1,0<br><br>OK                                                                                                                                                                                                                                                                                                        |
| <b>AT+WADF=1,1,,,,,,,,,30</b><br><br><i>Note : Update &lt;param10&gt; of the high pass filter in TX mode using the current &lt;mode&gt; value without changing the others parameters</i>                       | OK                                                                                                                                                                                                                                                                                                                                              |
| <b>AT+WADF=2,1</b><br><br><i>Note: Ask for the current params values of the high pass filter in TX mode</i>                                                                                                    | +WADF: 1,1,9,8,7,6,5,4,3,2,1,30<br><br>OK                                                                                                                                                                                                                                                                                                       |
| <b>AT+WADF=0,1</b><br><br><i>Note: Stop the high pass filter in TX mode</i>                                                                                                                                    | OK                                                                                                                                                                                                                                                                                                                                              |

---

| Command                                                                                                            | Responses |
|--------------------------------------------------------------------------------------------------------------------|-----------|
| <code>AT+WADF=1,6,0,,1</code><br><i>Note: Activate FIR2 filter with set the second parameter of the first line</i> | OK        |

### 21.10.6. Notes

- Each filter's availability depends on the embedded module used
- All available filters on the embedded module are activable with each other filter

## 21.11. Echo Cancellation +ECHO



### 21.11.1. Description

This Sierra Wireless proprietary command is used to enable, disable or configure the Echo Cancellation functions for voice calls.

### 21.11.2. Syntax

#### *Action command*

```
AT+ECHO=<mode>,<algoId>[,<param_1>,...,<param_n>]
```

```
OK
```

#### *Read command*

```
AT+ECHO?
```

```
+ECHO: <status>,<algoId>,<param_1>,...,<param_n>
```

```
[+ECHO: <status>,<algoId>,<param_1>,...,<param_n>[...]]
```

```
OK
```

```
For <algoId>=6:
```

```
+ECHO: <status>,<algoId>,<blockId1>,<param_1_1>,...,<param_1_n>
```

```
...
```

```
+ECHO: <status>,<algoId>,<blockIdm>,<param_m_1>,...,<param_m_n>
```

```
OK
```

*Test command*

**AT+ECHO=?**

```
+ECHO: (list of supported <mode>s), <algoId>, (list of supported <param>s)
[+ECHO: (list of supported <mode>s), <algoId>, (list of supported <param>s) [...]]
OK
```

For <algoId>=6:

```
+ECHO: (list of supported <mode>s),<algoId>,<blockId1>,(list of supported <param>s)
...
+ECHO: (list of supported <mode>s),<algoId>,<blockIdm>,(list of supported <param>s)
OK
```

### 21.11.3. Parameters and Defined Values

|                         |                                                                                                                                                  |
|-------------------------|--------------------------------------------------------------------------------------------------------------------------------------------------|
| <b>&lt;mode&gt;:</b>    | mode                                                                                                                                             |
| 0                       | deactivate echo cancellation                                                                                                                     |
| 1                       | activate echo cancellation.<br><algold> is mandatory. The other configuration parameters are optional, so current values are taken into account. |
| <b>&lt;algold&gt;:</b>  | algorithm                                                                                                                                        |
| 0                       | Algorithm 1. Switch attenuation (default AEC algorithm if there are several algorithms).                                                         |
| 1                       | Algorithm 2. Basic Sierra Wireless AEC                                                                                                           |
| 2                       | Algorithm 3: Basic Sierra Wireless AEC                                                                                                           |
| 3                       | Algorithm 6. Advanced Sierra Wireless AEC.                                                                                                       |
| 4                       | Algorithm LiveVibes version 1. Philips AEC.                                                                                                      |
| 5                       | Algorithm LiveVibes version 2. Philips AEC.                                                                                                      |
| 6                       | Algorithm Alango VCP v29                                                                                                                         |
| <b>&lt;Status&gt;:</b>  | echo cancellation status                                                                                                                         |
| 0                       | deactivated.                                                                                                                                     |
| 1                       | activated.                                                                                                                                       |
| 2                       | Reset is needed to activate echo cancellation.                                                                                                   |
| <b>&lt;blockId&gt;:</b> | (only for <Algold>=6)<br>1..19 Block ID within Alango VCP v29 algorithm                                                                          |

**<param\_n>:** parameter of echo cancellation  
depends on the chos algorithm

| <alg old> | <param_n>            |                                                                                                                                                                                                                        |                 |
|-----------|----------------------|------------------------------------------------------------------------------------------------------------------------------------------------------------------------------------------------------------------------|-----------------|
| 0         | <Volout>             | maximum attenuation of the swith                                                                                                                                                                                       |                 |
|           |                      | 0                                                                                                                                                                                                                      | 31 db (default) |
|           |                      | 1                                                                                                                                                                                                                      | 29 db           |
|           |                      | 3                                                                                                                                                                                                                      | 27 db           |
|           |                      | ...                                                                                                                                                                                                                    | ...             |
|           |                      | 14                                                                                                                                                                                                                     | 31 db           |
|           |                      | 15                                                                                                                                                                                                                     | 1 db            |
| 0         | <step>               | attenuation step between attenuation and no attenuation                                                                                                                                                                |                 |
|           |                      | 0                                                                                                                                                                                                                      | 1 db            |
|           |                      | 1                                                                                                                                                                                                                      | 2 db            |
|           |                      | 2                                                                                                                                                                                                                      | 3 db            |
| 3         | 4 db (default value) |                                                                                                                                                                                                                        |                 |
| 0         | <PcmThRel>           | relative threshold between max and min energy information<br>range: [0; 31] (default value: 10)                                                                                                                        |                 |
| 0         | <PcmThMax>           | threshold of max energy information.<br>range: [0; 31] (default value: 7)                                                                                                                                              |                 |
| 1         | <EchoMode>           | 1 – EC ESEC (Handset): mild echo and short delay<br>2 – EC Headset : moderate echo and short delay<br>3 – EC AEC (Car Kit): for loud echo and long delay<br>4 – EC Speaker: loud echo with extreme acoustic distortion |                 |
| 2         | <AlgoParam>          | high value leads to high echo attenuation but the full-duplex quality will be less efficient.<br>range: [0; 63] (default value: 30)                                                                                    |                 |
| 2         | <NoiseThres>         | noise threshold<br>Low value leads to high noise attenuation. The threshold 32767 indicates no noise attenuation.<br>range: [0; 32767] (default value: 8000)                                                           |                 |



|   |                      |                                                                                                                                                                                                                                                                                                                                                                                                                   |
|---|----------------------|-------------------------------------------------------------------------------------------------------------------------------------------------------------------------------------------------------------------------------------------------------------------------------------------------------------------------------------------------------------------------------------------------------------------|
| 2 | <NmbTaps>            | Number of Taps of the Adaptive Filter<br>range: [64; 256]. (default value: 256)<br>64 taps is for short Echo<br>256 taps is for long Echo                                                                                                                                                                                                                                                                         |
| 3 | <AlgoParam>          | high value leads to high echo attenuation but the full-duplex quality will be less efficient.<br>range: [0; 63]. (30 by default)                                                                                                                                                                                                                                                                                  |
| 3 | <NoiseThres>         | noise threshold<br>Low value leads to high noise attenuation. The threshold 32767 indicates no noise attenuation.<br>range: [0; 32767] (default value: 50)<br>Values above 512 have no effect (noise reduction will be disabled)                                                                                                                                                                                  |
| 3 | <NmbTaps>            | number of Taps of the Adaptive Filter.<br>range: [2; 256] ( 256 by default)<br>64 taps is for short Echo<br>256 taps is for long Echo.                                                                                                                                                                                                                                                                            |
| 3 | <ConvergenceTime1>   | convergence time in quiet condition:<br>This parameter expresses duration as the number of GSM speech frames (20 ms each) containing far end speech, upon which the switch only mechanism must run, in quiet conditions.<br>range: [162; 32767] (default value: 200)                                                                                                                                              |
| 3 | <ConvergenceTime2>   | convergence time in noise condition:<br>This parameter is the same as <ConvergenceTime1> but in noisy condition.<br>range: [162; 32767] (default value: 550)<br><b>Caution: &lt;ConvergenceTime2&gt; must be greater than or equal to &lt;ConvergenceTime1&gt;</b>                                                                                                                                                |
| 3 | <NoiseLevelMAX>      | upper bound of the noise floor estimate<br>This parameter is expressed as integer on 16bits, and corresponds to the rounded value of the noise floor estimate expressed in dB (log2).<br>range: [NOISE_LEVEL_MIN+1; 31] (default value: 15 )<br>NOISE_LEVEL_MIN is a constant (NOISE_LEVEL_MIN=4 in the current implementation)                                                                                   |
| 3 | <DetectionThreshold> | far-end speech detection threshold:<br>In order to detect far end speech on the loudspeaker's signal, the SNR is computed regarding to the far end signal power and the far end signal noise floor level. This parameter specifies a threshold on the SNR above which the switch mechanism will be activated.<br>This parameter is expressed as an integer on 16bits.<br>range: [0; 32767] (default value: 32767) |

|     |                            |                                                                                                                                                                                                                                                                                                                                                                                                                                 |
|-----|----------------------------|---------------------------------------------------------------------------------------------------------------------------------------------------------------------------------------------------------------------------------------------------------------------------------------------------------------------------------------------------------------------------------------------------------------------------------|
| 3   | <CNGAdjust>                | <p>comfort noise volume gain</p> <p>Although the comfort noise volume will self adjust to the estimated ambient noise level, it is possible to artificially reduce its level. This parameter is expressed in fixed point as a signed Q15, meaning that 32767 stands for 1.0, and 0 for 0.0.</p> <p>range: [0;32767] (default value: 32767)</p> <p>Setting this value to 0 will mean no comfort noise</p>                        |
| 3   | <CNGParam1><br><CNGParam2> | <p>16 bits comfort noise AR2 coefficients:</p> <p>The user will set the AR2 coefficients for a specific car. Their value will be estimated on a recorded noise sequence by mean of a tool provided by Sierra Wireless (C or Matlab source code). The recorded sequence shall be made in the noisy conditions and contain noise only.</p> <p>range: [0; 65535] (default value: 27484 for CNG Param1 and 38697 for CNGParam2)</p> |
| 3   | <CNGGain>                  | <p>16 bits Comfort noise AR2 gain coefficient.</p> <p>It specifies the gain of the AR2 filter used for comfort noise generation. It will be estimated by the same tool used to estimate CNGParam1 and CNGParam2.</p> <p>It is represented as a Q15 on 16 bits.</p> <p>range: [0; 32767] (default value: 7311)</p>                                                                                                               |
| 3   | <SOMValue>                 | <p>Switch attenuation value at the beginning of the call</p> <p>This parameter sets the depth of the attenuation of the transmit audio signal when speech is detected on the distant side.</p> <p>range: [1; 16] (default value: 4)</p>                                                                                                                                                                                         |
| 3   | <NoiseEstimate>            | <p>value of the noise floor estimate written by the DSP (only in case of active communication)</p> <p>The allowed range is [0; 32] when a communication is active. Otherwise the returned value is 65535. This field is present only in the response to AT+ECHO?</p>                                                                                                                                                            |
| 4-5 | < echoMode >               | <p>echo mode. It is a 8 bits field.</p> <p>range: [0; 255]</p> <p>Bit 0: echo canceller.</p> <p>Bit 1: dynamic echo suppressor.</p> <p>Bit 2: noise suppression.</p> <p>Bit 3: confort noise injection.</p> <p>Bit 4: extra suppression of non-linear echoes.</p> <p>Bit 5: internal use.</p> <p>Bit 6: internal use.</p> <p>Bit 7: non-linear preprocessing of the far-end signal.</p>                                         |
| 4-5 | <NLMSEchoPathDelay>        | range: [160; 270] (default value: 254)                                                                                                                                                                                                                                                                                                                                                                                          |
| 4-5 | <NLMSTaps>                 | range: [12; 200] (default value: 200)                                                                                                                                                                                                                                                                                                                                                                                           |
| 4-5 | <NLMSTwoAlpha>             | range: [0; 32767] (default value: 8192)                                                                                                                                                                                                                                                                                                                                                                                         |

|     |                                                                                                                                         |                                                                                                                                                |
|-----|-----------------------------------------------------------------------------------------------------------------------------------------|------------------------------------------------------------------------------------------------------------------------------------------------|
| 4-5 | <NLMSErI>                                                                                                                               | range: [0; 32767] default value: (128)                                                                                                         |
| 4-5 | <NLMSPresetCoefs>                                                                                                                       | range: [0; 2] (default value: 1)                                                                                                               |
| 4-5 | <NLMSOffset>                                                                                                                            | range: [0; 32767] (default value: 328)                                                                                                         |
| 4-5 | <ESSpdetFar>                                                                                                                            | range: [0; 32767] (default value: 16384)                                                                                                       |
| 4-5 | <ESSpdetMic>                                                                                                                            | range: [0; 32767] (default value: 29491)                                                                                                       |
| 4-5 | <NLSpdetXClip>                                                                                                                          | range: [0; 32767] (default value: 7951)                                                                                                        |
| 4-5 | <ESTailAlpha>                                                                                                                           | range: [0; 32767] (default value: 26214)                                                                                                       |
| 4-5 | <ESTailPortion>                                                                                                                         | range: [0; 32767] (default value: 984)                                                                                                         |
| 4-5 | <ESSpdetNear>                                                                                                                           | range: [0; 32767] (default value: 512)                                                                                                         |
| 4-5 | <ESGammaEHigh>                                                                                                                          | range: [0; 32767] (default value: 512)                                                                                                         |
| 4-5 | <ESGammaEdt>                                                                                                                            | range: [0; 32767] (default value: 256)                                                                                                         |
| 4-5 | <ESGammaELow>                                                                                                                           | range: [0; 32767] (default value: 128)                                                                                                         |
| 4-5 | <ESGammaN>                                                                                                                              | range: [0; 32767] (default value: 256)                                                                                                         |
| 4-5 | <NSBlockSize>                                                                                                                           | range: [0; 32767] (default value: 400)                                                                                                         |
| 4-5 | <NSLimit>                                                                                                                               | range: [0; 32767] (default value: 10922)                                                                                                       |
| 4-5 | <NLAtten>                                                                                                                               | range: [0; 32767] (default value: 2048)                                                                                                        |
| 4-5 | <CNILevel>                                                                                                                              | range: [0; 32767] (default value: 8192)                                                                                                        |
| 4-5 | <WBEchoRatio>                                                                                                                           | range: [0; 32767] (default value: 256)                                                                                                         |
| 4-5 | <NLPPGain>                                                                                                                              | range: [0; 255] (default value: 2048)                                                                                                          |
| 4-5 | <NLPLLimit>                                                                                                                             | range: [0; 32767] (default value: 32767)                                                                                                       |
| 4-5 | <txGain>                                                                                                                                | range: [0; 32767] (default value: 64)                                                                                                          |
| 5   | <biquad>                                                                                                                                | HPF filter biquad<br>Composed of 6 parameters: shift, b2, b1, b0, a2, a1.<br>The allowed range for each: [0; 65535].<br>Only for LiveVibes V2. |
| 6   | For each <blockId><br>Refer to "S6 Platform Audio Processing Application Note" for parameter list, description and range for each block |                                                                                                                                                |

## 21.11.4. Parameter Storage

All parameters are stored in EEPROM without using the AT&W command. The default values can be restored using AT&F or AT+VIP=1.

## 21.11.5. Examples

| Command                                                        | Responses                                                                                                                                                                                                                                                                                                                               |
|----------------------------------------------------------------|-----------------------------------------------------------------------------------------------------------------------------------------------------------------------------------------------------------------------------------------------------------------------------------------------------------------------------------------|
| <b>AT+CME=1</b><br><i>Note: Enables the use of result code</i> | OK                                                                                                                                                                                                                                                                                                                                      |
| <b>AT+ECHO=?</b>                                               | +ECHO: (0-1),0,(0-15),(0-3),(0-31),(0-31)<br>+ECHO: (0-1),2,(0-63),(0-32767),(64-256)<br>OK<br><i>Note: Algo1 and Algo3 available on this embedded module</i>                                                                                                                                                                           |
| <b>AT+ECHO=?</b>                                               | +ECHO: (0-1),4,(0-255),(160-270),(12-200),(0-32767),(0-32767),(0-2),(0-32767),(0-32767),(0-32767),(0-32767),(0-32767),(0-32767),(0-32767),(0-32767),(0-32767),(0-32767),(0-32767),(0-32767),(0-32767),(0-32767),(0-32767),(0-32767),(0-255),(0-32767),(0-32767)<br>OK<br><i>Note: Only Algo LV-V1 available on this embedded module</i> |

| Command   | Responses                                                                                                                                                                                                                                                                                                                                                                                                                                                                                                                                                                                                                                                                                                                                                                                                                                                                                                                                                                                                                                                                                                                                                                                                                                                                                                                                                                                                                                                                                                                                                                                                                                                                                                                                                                                                                                                                                                                                                                                                                                                                                                                                                                                                                                                                                                                                                        |
|-----------|------------------------------------------------------------------------------------------------------------------------------------------------------------------------------------------------------------------------------------------------------------------------------------------------------------------------------------------------------------------------------------------------------------------------------------------------------------------------------------------------------------------------------------------------------------------------------------------------------------------------------------------------------------------------------------------------------------------------------------------------------------------------------------------------------------------------------------------------------------------------------------------------------------------------------------------------------------------------------------------------------------------------------------------------------------------------------------------------------------------------------------------------------------------------------------------------------------------------------------------------------------------------------------------------------------------------------------------------------------------------------------------------------------------------------------------------------------------------------------------------------------------------------------------------------------------------------------------------------------------------------------------------------------------------------------------------------------------------------------------------------------------------------------------------------------------------------------------------------------------------------------------------------------------------------------------------------------------------------------------------------------------------------------------------------------------------------------------------------------------------------------------------------------------------------------------------------------------------------------------------------------------------------------------------------------------------------------------------------------------|
| AT+ECHO=? | <pre>+ECHO: (0- 1),6,1,(0,32767),(8000,32000),(0,5000),(0, 5000),(0,32767),(0,32767),(0,4095),(- 32767,32767),(-96,42),(0,16000),(- 960,0),(-960,240),(-20,20) +ECHO: (0-1),6,2,(-800,240),(-800,240) +ECHO: (0-1),6,3,(-800,240),(-600,400)  .....  +ECHO: (0-1),6,18,(-20,10),(-20,10),(- 20,10),(-20,10),(-20,10),(-20,10),(- 20,10),(-20,10),(-20,10),(-20,10),(- 20,10),(-20,10),(-20,10),(-20,10),(- 20,10),(-20,10),(-20,10),(-20,10),(- 20,10),(-20,10),(-20,10),(-20,10),(- 20,10),(-20,10),(-20,10),(-20,10),(- 20,10),(-20,10),(-20,10),(-20,10),(- 20,10),(-20,10) +ECHO: (0-1),6,19,(-20,10),(-20,10),(- 20,10),(-20,10),(-20,10),(-20,10),(- 20,10),(-20,10),(-20,10),(-20,10),(- 20,10),(-20,10),(-20,10),(-20,10),(- 20,10),(-20,10),(-20,10),(-20,10),(- 20,10),(-20,10),(-20,10),(-20,10),(- 20,10),(-20,10),(-20,10),(-20,10),(- 20,10),(-20,10),(-20,10),(-20,10),(- 20,10),(-20,10)  OK  Note: Algo ALANGO available on WCPU AirPrime AR6220Block1 - General VCP parameters capa:(0,- 1),(8000,32000),(0,32767),(0,32767),(0,32767),(0,32767),(0,40 95),(-32767,32767),(0,16000)  Block2 - Input Tx DRC capa:(-96,32767),(-96,32767),(- 96,32767),(-96,32767)  Block3 - Echo Canceller Tx adaptive filters capa:(0,8192),(0,8192),(0,8192),(0,8192),(-96,42),(0,-1),(0,- 1),(0,-1)  Block4 - Echo Suppression Tx general config capa:(- 32767,32767),(-32767,32767),(-32767,32767),(- 32767,32767),(100,8000),(0,- 32768),(0,1),(0,30000),(0,8),(0,4),(-32767,32767)  Block5 - Echo Suppressor Tx non-linear distortion capa:(0,2000),(200,8000),(200,8000),(0,4),(0,4),(0,32767),(- 40,32767),(0,4),(0,4),(0,-32768),(-40,32767),(-120,32767)  Block6 - Noise Tx Suppression capa:(-40,32767),(- 60,32767),(1,8),(50,5000),(40,5000),(-8,8),(-8,8),(0,1)  Block7 - Output Tx DRC/AGC/gain config capa:(-40,32767),(- 96,32767),(-96,32767),(-40,32767),(-96,32767),(- 96,32767),(1,32767),(10,10000),(-40,32767),(-60,32767),(- 1200,32767),(0,32767),(-90,32767),(-99,32767),(- 40,32767),(8,500),(8,500),(0,32767)  Block19 - Equalizers config for Tx capa:(0,32767) Block20 - Equalizers config for Rx capa:(0,32767) Block21 - Equalizers config for Ref capa:(0,32767) Block22 - Aux parameters capa:(-32767,32767),(- 32767,32767),(-32767,32767),(-32767,32767),(- 32767,32767),(-32767,32767),(-32767,32767),(-32767,32767)</pre> |

| Command                                                                              | Responses                                                                                                                                                                                                                                                                                                                                                                                                                  |
|--------------------------------------------------------------------------------------|----------------------------------------------------------------------------------------------------------------------------------------------------------------------------------------------------------------------------------------------------------------------------------------------------------------------------------------------------------------------------------------------------------------------------|
| <b>AT+ECHO?</b><br><i>Note: Read current settings</i>                                | +ECHO: 0,0,0,3,10,7<br>+ECHO: 0,2,30,8000,256<br>OK                                                                                                                                                                                                                                                                                                                                                                        |
| <b>AT+ECHO?</b><br><i>Note: Read current settings for AirPrime AR6220 and WP6200</i> | +ECHO:<br>0,6,1,100,800,2500,2500,1000,1000,2400,-<br>1000,-10,2000,-100,-100,0<br>+ECHO: 0,6,2,0,0,<br>+ECHO: 0,6,3,0,0,<br><br>.....<br>+ECHO:<br>0,6,17,0,0,0,0,0,0,0,0,0,0,0,0,0,0,0,0,0,<br>0,0,0,0,0,0,0,0,0,0,0,0,0,0,0,0<br>+ECHO:<br>0,6,18,0,0,0,0,0,0,0,0,0,0,0,0,0,0,0,0,0,<br>0,0,0,0,0,0,0,0,0,0,0,0,0,0,0,0<br>+ECHO:<br>0,6,19,0,0,0,0,0,0,0,0,0,0,0,0,0,0,0,0,0,<br>0,0,0,0,0,0,0,0,0,0,0,0,0,0,0,0<br>OK |
| <b>AT+ECHO=1,0</b><br><i>Note: Activate Algo1 with current parameters</i>            | OK                                                                                                                                                                                                                                                                                                                                                                                                                         |
| <b>AT+ECHO?</b><br><i>Note: Read current settings</i>                                | +ECHO: 1,0,0,3,10,7<br>+ECHO: 0,2,30,8000,256<br>OK                                                                                                                                                                                                                                                                                                                                                                        |
| <b>AT+ECHO=1,2</b><br><i>Note: Activate Algo3 with current parameters</i>            | +CME ERROR: 519<br><i>Note: The new algorithm will be activated after a reset of the product</i>                                                                                                                                                                                                                                                                                                                           |
| <b>AT+ECHO?</b><br><i>Note: Read current settings</i>                                | +ECHO: 1,0,0,3,10,7<br>+ECHO: 2,2,30,8000,256<br>OK                                                                                                                                                                                                                                                                                                                                                                        |
| <b>AT+CFUN=1</b><br><i>Note: Reset the product</i>                                   | OK                                                                                                                                                                                                                                                                                                                                                                                                                         |
| <b>AT+ECHO?</b><br><i>Note: Read current settings</i>                                | +ECHO: 0,0,0,3,10,7<br>+ECHO: 1,2,30,8000,256<br>OK                                                                                                                                                                                                                                                                                                                                                                        |
| <b>AT+ECHO=0,2</b><br><i>Note: Deactivate the Echo Cancellation</i>                  | OK                                                                                                                                                                                                                                                                                                                                                                                                                         |

| Command                                                                                                                                                            | Responses                                                                                                                                    |
|--------------------------------------------------------------------------------------------------------------------------------------------------------------------|----------------------------------------------------------------------------------------------------------------------------------------------|
| <b>AT+ECHO?</b><br><i>Note: Read current settings</i>                                                                                                              | +ECHO: 0,0,0,3,10,7<br>+ECHO: 0,2,30,8000,256<br>OK                                                                                          |
| <b>AT+ECHO=1,0</b><br><i>Note: Activate Algo1 with current parameters</i>                                                                                          | +CME ERROR: 519<br><i>Note: The new algorithm will be activated after a reset of the product because the last activated AEC is different</i> |
| <b>AT+ECHO?</b><br><i>Note: Read current settings</i>                                                                                                              | +ECHO: 2,0,0,3,10,7<br>+ECHO: 0,2,30,8000,256<br>OK                                                                                          |
| <b>AT+CFUN=1</b><br><i>Note: Reset the product</i>                                                                                                                 | OK                                                                                                                                           |
| <b>AT+ECHO?</b><br><i>Note: Read current settings</i>                                                                                                              | +ECHO: 1,0,0,3,10,7<br>+ECHO: 0,2,30,8000,256<br>OK                                                                                          |
| <b>AT+ECHO=1,6</b><br><i>Note: Activate ALANGO Algo with current parameters.</i>                                                                                   | OK<br><i>Note: The ALANGO new algorithm will be activated after a reset of the product</i>                                                   |
| <b>AT+ECHO=1,6,2,-800,-800</b><br><i>Note: Activate ALANGO Algo block n°2 with current parameters with -80dB, -80dB</i><br><i>Note: Block Id = 0 is forbidden.</i> | OK<br><i>Note: The ALANGO new algorithm will be activated after a reset of the product</i>                                                   |
| <b>AT+ECHO=1,6,0,4,5,6,7</b><br><i>Note: Block Id = 0 is forbidden.</i>                                                                                            | +CME ERROR: 3                                                                                                                                |

## 21.11.6. Notes

When embedded module resets, an AEC algo is loaded. If the user wants to activate another AEC algo (even if not any is activated), a reset is needed. Then, the change will be taken into account after a reset.

When a reset is needed to activate a new AEC algorithm, if a previous algorithm was activated, it continues to be activated as long as a reset is not performed. No automatic reset is done.

Only one AEC algorithm can be running at a time.

You can change parameters of an AEC algorithm X during another AEC algorithm Y running with mode 0 (AT+ECHO= 0,X). No reset is needed.

Echo cancellation can be activated and deactivated during a call if the chosen AEC algo is the default one.

The echo parameters can be updated without changing the activation mode using the <mode> and <algoid> current values.

---

*Note: Only Algorithm 2 is supported on AirPrime SL808xT and Q2698 embedded modules.*

*Note: Only Alango is supported on AirPrime AR6220 and WP6200 embedded modules.*

---



## 21.12. Sierra Wireless Voice Rate +WVR



### 21.12.1. Description

This Sierra Wireless proprietary command allows the voice rate for bearer voice to be configured for outgoing and incoming calls.

### 21.12.2. Syntax

#### *Action command*

```
AT+WVR=[<out_coding_type>][,<in_coding_type>]
```

OK

#### *Read command*

```
AT+WVR?
```

```
+WVR: <out_coding_type>,<in_coding_type>
```

OK

#### *Test command*

```
AT+WVR=?
```

```
+WVR: (list of supported <out_coding_type>s), (list of supported <in_coding_type>s)
```

OK

### 21.12.3. Parameters and Defined Values

|                                |                                                               |                              |
|--------------------------------|---------------------------------------------------------------|------------------------------|
| <b>&lt;out_coding_type&gt;</b> | voice outgoing call coding type, refer to the following table |                              |
| <b>&lt;in_coding_type&gt;:</b> | voice incoming call coding type, refer to the following table |                              |
| Voice call coding types        |                                                               |                              |
|                                | <b>Preferred type</b>                                         | <b>Other supported types</b> |
| 0                              | FR                                                            |                              |
| 1                              | EFR                                                           | FR                           |
| 2                              | HR                                                            | FR                           |
| 3                              | FR                                                            | HR                           |
| 4                              | HR                                                            | EFR                          |
| 5                              | EFR                                                           | HR                           |
| 6                              | AMR-FR                                                        | EFR, AMR-HR                  |
| 7 (default value)              | AMR-FR                                                        | EFR, AMR-HR, HR              |
| 8                              | AMR-HR                                                        | HR, AMR-FR, EFR              |
| 9                              | AMR-HR                                                        | AMR-FR, EFR                  |
| 10                             | AMR-HR                                                        | AMR-FR, FR                   |
| 11                             | AMR-HR                                                        | HR, AMR-FR                   |
| 12                             | AMR-FR                                                        | AMR-HR                       |
| 13                             | AMR-FR                                                        | FR, AMR-HR                   |
| 14                             | AMR-FR                                                        | FR, AMR-HR, HR               |

### 21.12.4. Parameter Storage

The <out\_coding\_type> and <in\_coding\_type> parameters are stored in EEPROM without using the AT&W command.

## 21.12.5. Examples

| Command                                                                                                                  | Responses                                                                                   |
|--------------------------------------------------------------------------------------------------------------------------|---------------------------------------------------------------------------------------------|
| <b>AT+WVR=?</b>                                                                                                          | +WVR: (0-14), (0-14)<br><i>Note: HR, EFR and AMR available</i>                              |
| <b>AT+WVR=1</b><br><i>Note: Configures voice type FR and EFR for outgoing calls only</i>                                 | OK<br><i>Note: Bearer is configured for outgoing calls</i>                                  |
| <b>AT+WVR=1, 4</b><br><i>Note: Configures voice type FR and EFR for outgoing calls and HR and EFR for incoming calls</i> | OK<br><i>Note: Bearer is configured for outgoing and incoming calls</i>                     |
| <b>AT+WVR=, 4</b><br><i>Note: Configures voice type HR and EFR for incoming calls</i>                                    | OK<br><i>Note: Bearer is unchanged for outgoing calls and configured for incoming calls</i> |
| <b>AT+WVR?</b><br><i>Note: Asks for the current values</i>                                                               | +WVR: 1, 4<br><br>OK                                                                        |

## 21.13. DTMF Signals +VTD



### 21.13.1. Description

The product enables the user application to send DTMF tones over the GSM network. This command is used to define tone duration.

### 21.13.2. Syntax

#### *Action command*

```
AT+VTD=<n>
```

```
OK
```

#### *Read command*

```
AT+VTD?
```

```
+VTD: <n>
```

```
OK
```

#### *Test command*

```
AT+VTD=?
```

```
+VTD: (list of supported <n>s)
```

```
OK
```

### 21.13.3. Parameters and Defined Values

|                   |                                                                                                                                                                                                                                    |
|-------------------|------------------------------------------------------------------------------------------------------------------------------------------------------------------------------------------------------------------------------------|
| <b>&lt;n&gt;:</b> | length of tones emitted as a result of the +VTS command, in units of 100 ms<br>integer type<br>Value zero (default value) causes a tone duration of $70 \pm 5$ ms, according to 3GPP 23.014 [11].<br>The value used is modulo 256. |
|-------------------|------------------------------------------------------------------------------------------------------------------------------------------------------------------------------------------------------------------------------------|

## 21.13.4. Parameter Storage

None.

## 21.13.5. Examples

| Command                                                     | Responses           |
|-------------------------------------------------------------|---------------------|
| <b>AT+VTD=6</b><br><i>Note: Define 600 ms tone duration</i> | OK                  |
| <b>AT+VTD?</b><br><i>Note: Get current tone duration</i>    | +VTD: 6<br>OK       |
| <b>AT+VTD=?</b>                                             | +VTD: (0-255)<br>OK |

## 21.14. DTMF Signals +VTS



### 21.14.1. Description

The product enables the application to send DTMF tones over the GSM network. This command enables tones to be transmitted, only when there is an active call.

### 21.14.2. Syntax

*Action command*

```
AT+VTS=<Tone>
```

OK

*Read command*

None

*Test command*

```
AT+VTS=?
```

```
+VTS: (list of supported <Tone>s)
```

OK

### 21.14.3. Parameters and Defined Values

|                      |                                                          |
|----------------------|----------------------------------------------------------|
| <b>&lt;Tone&gt;:</b> | DTMF tone to transmit<br>values are in {0-9,*,#,A,B,C,D} |
|----------------------|----------------------------------------------------------|

### 21.14.4. Parameter Storage

None.

## 21.14.5. Examples

| Command                 | Responses                           |
|-------------------------|-------------------------------------|
| <code>AT+VTS=?</code>   | +VTS: (0-9, *, #, A, B, C, D)<br>OK |
| <code>AT+VTS="A"</code> | OK                                  |

## 21.15. Play tone +WTONE



### 21.15.1. Description

This Sierra Wireless proprietary command allows a tone to be played on the current speaker or on the buzzer.

### 21.15.2. Syntax

*Action command*

```
AT+WTONE=<mode>[, <dest>,<freq>[, [<gain>] [, [<duration>] [, <freq2>[, <gain2>]]]]]
```

OK

*Read command*

None

*Test command*

```
AT+WTONE=?
```

OK

### 21.15.3. Parameters and Defined Values

|                      |                              |
|----------------------|------------------------------|
| <b>&lt;mode&gt;:</b> | tone activation/deactivation |
| 0                    | stop playing                 |
| 1                    | play a tone                  |
| <b>&lt;dest&gt;:</b> | destination setting          |
| 1                    | speaker                      |
| 2                    | buzzer                       |



|                                                                       |                                                                                                                                                                                                                                                                                                                                                                                                                                                                                                                                                                                                                      |
|-----------------------------------------------------------------------|----------------------------------------------------------------------------------------------------------------------------------------------------------------------------------------------------------------------------------------------------------------------------------------------------------------------------------------------------------------------------------------------------------------------------------------------------------------------------------------------------------------------------------------------------------------------------------------------------------------------|
| <b>&lt;freq&gt;:</b>                                                  | tone frequency (in Hz)                                                                                                                                                                                                                                                                                                                                                                                                                                                                                                                                                                                               |
| 1-3999                                                                | If <dest>=1 (speaker)                                                                                                                                                                                                                                                                                                                                                                                                                                                                                                                                                                                                |
| from 1 to a maximum value referred in Product Technical Specification | If <dest>=2 (buzzer)                                                                                                                                                                                                                                                                                                                                                                                                                                                                                                                                                                                                 |
| <b>&lt;gain&gt;:</b>                                                  | <p>There are two configuration modes:</p> <ul style="list-style-type: none"> <li>the gain is entered in deci dB units,</li> <li>the gain is entered in index.</li> </ul> <p>By default gains are expressed in deci dB value.</p> <p>All values are possible between the minimum and maximum values of the table given in the Notes section. If a value does not correspond to a table value, the nearest is kept.</p> <p>If the configuration mode has been changed with +WBHV command to the index mode, the deci dB value will correspond to the index entered as described in the table of the Notes section.</p> |
| <b>&lt;freq2&gt;:</b>                                                 | <p>2<sup>nd</sup> tone frequency (in Hz)</p> <p>optional if &lt;mode&gt;=1</p> <p>only available with the speaker</p>                                                                                                                                                                                                                                                                                                                                                                                                                                                                                                |
| 1-3999                                                                | speaker                                                                                                                                                                                                                                                                                                                                                                                                                                                                                                                                                                                                              |
| <b>&lt;gain2&gt;:</b>                                                 | <p>tone gain for the &lt;freq2&gt;</p> <p>same values as &lt;gain&gt;</p>                                                                                                                                                                                                                                                                                                                                                                                                                                                                                                                                            |
| <b>&lt;duration&gt;:</b>                                              | tone duration (in 100 ms units)                                                                                                                                                                                                                                                                                                                                                                                                                                                                                                                                                                                      |
| 0-50                                                                  | <p>default value if omitted: 0</p> <p>When &lt;duration&gt;=0, the duration is up to 21 minutes, and the tone can be stopped by AT+WTONE=0</p>                                                                                                                                                                                                                                                                                                                                                                                                                                                                       |

## 21.15.4. Parameter Storage

None

## 21.15.5. Examples

| Command                                                                                                                   | Responses               |
|---------------------------------------------------------------------------------------------------------------------------|-------------------------|
| <b>AT+WTONE=1,1,300,-1510,50</b><br><i>Note: Play a tone</i>                                                              | OK<br><i>Note: Done</i> |
| <b>AT+WTONE=0</b><br><i>Note: Stop playing</i>                                                                            | OK<br><i>Note: Done</i> |
| <b>AT+WTONE=1,1,300,-1510,50,600,-1510</b><br><i>Note: Play a tone with 2 frequencies (allowed only with the speaker)</i> | OK<br><i>Note: Done</i> |
| <b>AT+WBHV=8,1</b><br><i>Note: Set configuration to indexed mode</i>                                                      | OK                      |
| <b>AT+WTONE=1,1,300,45,50</b><br><i>Note: Play a tone</i>                                                                 | OK<br><i>Note: Done</i> |
| <b>AT+WTONE=0</b><br><i>Note: Stop playing</i>                                                                            | OK<br><i>Note: Done</i> |
| <b>AT+WTONE=1,1,300,45,50,600,45</b><br><i>Note: Play a tone with 2 frequencies (allowed only with the speaker)</i>       | OK<br><i>Note: Done</i> |
| <b>AT+WTONE=1,2,300,-30</b><br><i>Note: Play a tone with only 1 frequency (allowed with the buzzer)</i>                   | OK<br><i>Note: Done</i> |

## 21.15.6. Notes

Below are listed the values for <gain>. They are in deci dB units and index.

| Gain in Index | Gain in dB | Real dB value | Gain in Index | Gain in dB | Real dB value | Gain in Index | Gain in dB | Real dB value | Gain in Index | Gain in dB | Real dB value |
|---------------|------------|---------------|---------------|------------|---------------|---------------|------------|---------------|---------------|------------|---------------|
| 0             | -8000      | -80           | 64            | -1204      | -12.04        | 128           | -602       | -6.02         | 192           | -250       | -2.5          |
| 1             | -4816      | -48.16        | 65            | -1191      | -11.91        | 129           | -595       | -5.95         | 193           | -245       | -2.45         |
| 2             | -4214      | -42.14        | 66            | -1177      | -11.77        | 130           | -589       | -5.89         | 194           | -241       | -2.41         |
| 3             | -3862      | -38.62        | 67            | -1164      | -11.64        | 131           | -582       | -5.82         | 195           | -236       | -2.36         |
| 4             | -3612      | -36.12        | 68            | -1151      | -11.51        | 132           | -575       | -5.75         | 196           | -232       | -2.32         |
| 5             | -3419      | -34.19        | 69            | -1139      | -11.39        | 133           | -569       | -5.69         | 197           | -228       | -2.28         |
| 6             | -3260      | -32.6         | 70            | -1126      | -11.26        | 134           | -562       | -5.62         | 198           | -223       | -2.23         |
| 7             | -3126      | -31.26        | 71            | -1114      | -11.14        | 135           | -556       | -5.56         | 199           | -219       | -2.19         |
| 8             | -3010      | -30.1         | 72            | -1102      | -11.02        | 136           | -549       | -5.49         | 200           | -214       | -2.14         |
| 9             | -2908      | -29.08        | 73            | -1090      | -10.9         | 137           | -543       | -5.43         | 201           | -210       | -2.1          |
| 10            | -2816      | -28.16        | 74            | -1078      | -10.78        | 138           | -537       | -5.37         | 202           | -206       | -2.06         |
| 11            | -2734      | -27.34        | 75            | -1066      | -10.66        | 139           | -530       | -5.3          | 203           | -201       | -2.01         |
| 12            | -2658      | -26.58        | 76            | -1055      | -10.55        | 140           | -524       | -5.24         | 204           | -197       | -1.97         |
| 13            | -2589      | -25.89        | 77            | -1043      | -10.43        | 141           | -518       | -5.18         | 205           | -193       | -1.93         |
| 14            | -2524      | -25.24        | 78            | -1032      | -10.32        | 142           | -512       | -5.12         | 206           | -189       | -1.89         |
| 15            | -2464      | -24.64        | 79            | -1021      | -10.21        | 143           | -506       | -5.06         | 207           | -185       | -1.85         |
| 16            | -2408      | -24.08        | 80            | -1010      | -10.1         | 144           | -500       | -5            | 208           | -180       | -1.8          |
| 17            | -2356      | -23.56        | 81            | -1000      | -10           | 145           | -494       | -4.94         | 209           | -176       | -1.76         |
| 18            | -2306      | -23.06        | 82            | -989       | -9.89         | 146           | -488       | -4.88         | 210           | -172       | -1.72         |
| 19            | -2259      | -22.59        | 83            | -978       | -9.78         | 147           | -482       | -4.82         | 211           | -168       | -1.68         |
| 20            | -2214      | -22.14        | 84            | -968       | -9.68         | 148           | -476       | -4.76         | 212           | -164       | -1.64         |
| 21            | -2172      | -21.72        | 85            | -958       | -9.58         | 149           | -470       | -4.7          | 213           | -160       | -1.6          |
| 22            | -2132      | -21.32        | 86            | -947       | -9.47         | 150           | -464       | -4.64         | 214           | -156       | -1.56         |
| 23            | -2093      | -20.93        | 87            | -937       | -9.37         | 151           | -459       | -4.59         | 215           | -152       | -1.52         |
| 24            | -2056      | -20.56        | 88            | -928       | -9.28         | 152           | -453       | -4.53         | 216           | -148       | -1.48         |

| Gain in Index | Gain in dB | Real dB value | Gain in Index | Gain in dB | Real dB value | Gain in Index | Gain in dB | Real dB value | Gain in Index | Gain in dB | Real dB value |
|---------------|------------|---------------|---------------|------------|---------------|---------------|------------|---------------|---------------|------------|---------------|
| 25            | -2021      | -20.21        | 89            | -918       | -9.18         | 153           | -447       | -4.47         | 217           | -144       | -1.44         |
| 26            | -1987      | -19.87        | 90            | -908       | -9.08         | 154           | -441       | -4.41         | 218           | -140       | -1.4          |
| 27            | -1954      | -19.54        | 91            | -898       | -8.98         | 155           | -436       | -4.36         | 219           | -136       | -1.36         |
| 28            | -1922      | -19.22        | 92            | -889       | -8.89         | 156           | -430       | -4.3          | 220           | -132       | -1.32         |
| 29            | -1892      | -18.92        | 93            | -880       | -8.8          | 157           | -425       | -4.25         | 221           | -128       | -1.28         |
| 30            | -1862      | -18.62        | 94            | -870       | -8.7          | 158           | -419       | -4.19         | 222           | -124       | -1.24         |
| 31            | -1834      | -18.34        | 95            | -861       | -8.61         | 159           | -414       | -4.14         | 223           | -120       | -1.2          |
| 32            | -1806      | -18.06        | 96            | -852       | -8.52         | 160           | -408       | -4.08         | 224           | -116       | -1.16         |
| 33            | -1779      | -17.79        | 97            | -843       | -8.43         | 161           | -403       | -4.03         | 225           | -112       | -1.12         |
| 34            | -1754      | -17.54        | 98            | -834       | -8.34         | 162           | -397       | -3.97         | 226           | -108       | -1.08         |
| 35            | -1728      | -17.28        | 99            | -825       | -8.25         | 163           | -392       | -3.92         | 227           | -104       | -1.04         |
| 36            | -1704      | -17.04        | 100           | -816       | -8.16         | 164           | -387       | -3.87         | 228           | -101       | -1.01         |
| 37            | -1680      | -16.8         | 101           | -808       | -8.08         | 165           | -382       | -3.82         | 229           | -97        | -0.97         |
| 38            | -1657      | -16.57        | 102           | -799       | -7.99         | 166           | -376       | -3.76         | 230           | -93        | -0.93         |
| 39            | -1634      | -16.34        | 103           | -791       | -7.91         | 167           | -371       | -3.71         | 231           | -89        | -0.89         |
| 40            | -1612      | -16.12        | 104           | -782       | -7.82         | 168           | -366       | -3.66         | 232           | -86        | -0.86         |
| 41            | -1591      | -15.91        | 105           | -774       | -7.74         | 169           | -361       | -3.61         | 233           | -82        | -0.82         |
| 42            | -1570      | -15.7         | 106           | -766       | -7.66         | 170           | -356       | -3.56         | 234           | -78        | -0.78         |
| 43            | -1550      | -15.5         | 107           | -758       | -7.58         | 171           | -350       | -3.5          | 235           | -74        | -0.74         |
| 44            | -1530      | -15.3         | 108           | -750       | -7.5          | 172           | -345       | -3.45         | 236           | -71        | -0.71         |
| 45            | -1510      | -15.1         | 109           | -742       | -7.42         | 173           | -340       | -3.4          | 237           | -67        | -0.67         |
| 46            | -1491      | -14.91        | 110           | -734       | -7.34         | 174           | -335       | -3.35         | 238           | -63        | -0.63         |
| 47            | -1472      | -14.72        | 111           | -726       | -7.26         | 175           | -330       | -3.3          | 239           | -60        | -0.6          |
| 48            | -1454      | -14.54        | 112           | -718       | -7.18         | 176           | -325       | -3.25         | 240           | -56        | -0.56         |
| 49            | -1436      | -14.36        | 113           | -710       | -7.1          | 177           | -321       | -3.21         | 241           | -52        | -0.52         |
| 50            | -1419      | -14.19        | 114           | -703       | -7.03         | 178           | -316       | -3.16         | 242           | -49        | -0.49         |
| 51            | -1401      | -14.01        | 115           | -695       | -6.95         | 179           | -311       | -3.11         | 243           | -45        | -0.45         |

| Gain in Index | Gain in dB | Real dB value | Gain in Index | Gain in dB | Real dB value | Gain in Index | Gain in dB | Real dB value | Gain in Index | Gain in dB | Real dB value |
|---------------|------------|---------------|---------------|------------|---------------|---------------|------------|---------------|---------------|------------|---------------|
| 52            | -1384      | -13.84        | 116           | -688       | -6.88         | 180           | -306       | -3.06         | 244           | -42        | -0.42         |
| 53            | -1368      | -13.68        | 117           | -680       | -6.8          | 181           | -301       | -3.01         | 245           | -38        | -0.38         |
| 54            | -1352      | -13.52        | 118           | -673       | -6.73         | 182           | -296       | -2.96         | 246           | -35        | -0.35         |
| 55            | -1336      | -13.36        | 119           | -665       | -6.65         | 183           | -292       | -2.92         | 247           | -31        | -0.31         |
| 56            | -1320      | -13.2         | 120           | -658       | -6.58         | 184           | -287       | -2.87         | 248           | -28        | -0.28         |
| 57            | -1305      | -13.05        | 121           | -651       | -6.51         | 185           | -282       | -2.82         | 249           | -24        | -0.24         |
| 58            | -1290      | -12.9         | 122           | -644       | -6.44         | 186           | -277       | -2.77         | 250           | -21        | -0.21         |
| 59            | -1275      | -12.75        | 123           | -637       | -6.37         | 187           | -273       | -2.73         | 251           | -17        | -0.17         |
| 60            | -1260      | -12.6         | 124           | -630       | -6.3          | 188           | -268       | -2.68         | 252           | -14        | -0.14         |
| 61            | -1246      | -12.46        | 125           | -623       | -6.23         | 189           | -264       | -2.64         | 253           | -10        | -0.1          |
| 62            | -1232      | -12.32        | 126           | -616       | -6.16         | 190           | -259       | -2.59         | 254           | -7         | -0.07         |
| 63            | -1218      | -12.18        | 127           | -609       | -6.09         | 191           | -254       | -2.54         | 255           | 0          | 0             |

*Note: For AirPrime AR6220 and WP6200 the lowest tone gain value (index 0) is -48.16 db instead of -80.00 dB.*

For a buzzer output, very high and very low gain values are not accepted. It depends on used embedded module. Please refer to Product Technical Specification for more information.

## 21.16. Play DTMF tone + WDTMF



### 21.16.1. Description

This Sierra Wireless proprietary command allows a DTMF tone to be played on the current speaker.

### 21.16.2. Syntax

#### Action command

```
AT+WDTMF=<mode>[,<dtmf>[, [<gain>] [,<duration>]]]
```

OK

#### Read command

None

#### Test command

```
AT+WDTMF=?
```

```
+WDTMF: (list of supported <mode>s), (list of supported <dtmf>s), (list of supported  
<gain>s), (list of supported <duration>s)
```

OK

### 21.16.3. Parameters and Defined Values

|                      |                                                                       |
|----------------------|-----------------------------------------------------------------------|
| <b>&lt;mode&gt;:</b> | tone activation/deactivation                                          |
| 0                    | stop playing                                                          |
| 1                    | play a DTMF tone                                                      |
| <b>&lt;dtmf&gt;:</b> | DTMF to be played (mandatory if <mode>=1)<br>range: {0-9,*,#,A,B,C,D} |

|                          |                                                                                                                                                                                                                                                                                                                                                                                                                                                                                                                                                                                                                      |
|--------------------------|----------------------------------------------------------------------------------------------------------------------------------------------------------------------------------------------------------------------------------------------------------------------------------------------------------------------------------------------------------------------------------------------------------------------------------------------------------------------------------------------------------------------------------------------------------------------------------------------------------------------|
| <b>&lt;gain&gt;:</b>     | <p>There are two configuration modes:</p> <ul style="list-style-type: none"> <li>the gain is entered in deci dB units,</li> <li>the gain is entered in index.</li> </ul> <p>By default gains are expressed in deci dB value.</p> <p>All values are possible between the minimum and maximum values of the table given in the Notes section. If a value does not correspond to a table value, the nearest is kept.</p> <p>If the configuration mode has been changed with +WBHV command to the index mode, the deci dB value will correspond to the index entered as described in the table of the Notes section.</p> |
| <b>&lt;duration&gt;:</b> | <p>tone duration (in 100 ms units)</p> <p>0-50      default value if omitted: 0</p> <p>When &lt;duration&gt;=0, the duration is infinite, and the DTMF tone can be stopped by AT+WDTMF=0</p>                                                                                                                                                                                                                                                                                                                                                                                                                         |

## 21.16.4. Examples

| Command                                                                | Responses                                                       |
|------------------------------------------------------------------------|-----------------------------------------------------------------|
| <b>AT+WDTMF=?</b><br><i>Note: Possible values.</i>                     | +WDTMF: (0-1), (0-9, *, #, A, B, C, D), (-8000-0), (0-50)<br>OK |
| <b>AT+WDTMF=1, "*" , -1510 , 50</b><br><i>Note: Play a DTMF tone</i>   | OK                                                              |
| <b>AT+WDTMF=0</b><br><i>Note: Stop playing</i>                         | OK                                                              |
| <b>AT+WBHV=8 , 1</b><br><i>Note: Set configuration to indexed mode</i> | OK                                                              |
| <b>AT+WDTMF=?</b><br><i>Note: Possible values.</i>                     | +WDTMF: (0-1), (0-9, *, #, A, B, C, D), (0-255), (0-50)<br>OK   |
| <b>AT+WDTMF=1, "*" , 9 , 50</b><br><i>Note: Play a DTMF tone</i>       | OK                                                              |

## 21.16.5. Notes

Below are listed the values for <gain>. They are in deci dB units and index.

**For AirPrime WMP, Q268x, AR6220, and WP6200 embedded modules:**

| Gain in Index | Gain in dB | Real dB value | Gain in Index | Gain in dB | Real dB value | Gain in Index | Gain in dB | Real dB value | Gain in Index | Gain in dB | Real dB value |
|---------------|------------|---------------|---------------|------------|---------------|---------------|------------|---------------|---------------|------------|---------------|
| 0             | -8000      | -80           | 64            | -1204      | -12.04        | 128           | -602       | -6.02         | 192           | -250       | -2.5          |
| 1             | -4816      | -48.16        | 65            | -1191      | -11.91        | 129           | -595       | -5.95         | 193           | -245       | -2.45         |
| 2             | -4214      | -42.14        | 66            | -1177      | -11.77        | 130           | -589       | -5.89         | 194           | -241       | -2.41         |
| 3             | -3862      | -38.62        | 67            | -1164      | -11.64        | 131           | -582       | -5.82         | 195           | -236       | -2.36         |
| 4             | -3612      | -36.12        | 68            | -1151      | -11.51        | 132           | -575       | -5.75         | 196           | -232       | -2.32         |
| 5             | -3419      | -34.19        | 69            | -1139      | -11.39        | 133           | -569       | -5.69         | 197           | -228       | -2.28         |
| 6             | -3260      | -32.6         | 70            | -1126      | -11.26        | 134           | -562       | -5.62         | 198           | -223       | -2.23         |
| 7             | -3126      | -31.26        | 71            | -1114      | -11.14        | 135           | -556       | -5.56         | 199           | -219       | -2.19         |
| 8             | -3010      | -30.1         | 72            | -1102      | -11.02        | 136           | -549       | -5.49         | 200           | -214       | -2.14         |
| 9             | -2908      | -29.08        | 73            | -1090      | -10.9         | 137           | -543       | -5.43         | 201           | -210       | -2.1          |
| 10            | -2816      | -28.16        | 74            | -1078      | -10.78        | 138           | -537       | -5.37         | 202           | -206       | -2.06         |
| 11            | -2734      | -27.34        | 75            | -1066      | -10.66        | 139           | -530       | -5.3          | 203           | -201       | -2.01         |
| 12            | -2658      | -26.58        | 76            | -1055      | -10.55        | 140           | -524       | -5.24         | 204           | -197       | -1.97         |
| 13            | -2589      | -25.89        | 77            | -1043      | -10.43        | 141           | -518       | -5.18         | 205           | -193       | -1.93         |
| 14            | -2524      | -25.24        | 78            | -1032      | -10.32        | 142           | -512       | -5.12         | 206           | -189       | -1.89         |
| 15            | -2464      | -24.64        | 79            | -1021      | -10.21        | 143           | -506       | -5.06         | 207           | -185       | -1.85         |
| 16            | -2408      | -24.08        | 80            | -1010      | -10.1         | 144           | -500       | -5            | 208           | -180       | -1.8          |
| 17            | -2356      | -23.56        | 81            | -1000      | -10           | 145           | -494       | -4.94         | 209           | -176       | -1.76         |
| 18            | -2306      | -23.06        | 82            | -989       | -9.89         | 146           | -488       | -4.88         | 210           | -172       | -1.72         |
| 19            | -2259      | -22.59        | 83            | -978       | -9.78         | 147           | -482       | -4.82         | 211           | -168       | -1.68         |
| 20            | -2214      | -22.14        | 84            | -968       | -9.68         | 148           | -476       | -4.76         | 212           | -164       | -1.64         |
| 21            | -2172      | -21.72        | 85            | -958       | -9.58         | 149           | -470       | -4.7          | 213           | -160       | -1.6          |
| 22            | -2132      | -21.32        | 86            | -947       | -9.47         | 150           | -464       | -4.64         | 214           | -156       | -1.56         |
| 23            | -2093      | -20.93        | 87            | -937       | -9.37         | 151           | -459       | -4.59         | 215           | -152       | -1.52         |



| Gain in Index | Gain in dB | Real dB value | Gain in Index | Gain in dB | Real dB value | Gain in Index | Gain in dB | Real dB value | Gain in Index | Gain in dB | Real dB value |
|---------------|------------|---------------|---------------|------------|---------------|---------------|------------|---------------|---------------|------------|---------------|
| 24            | -2056      | -20.56        | 88            | -928       | -9.28         | 152           | -453       | -4.53         | 216           | -148       | -1.48         |
| 25            | -2021      | -20.21        | 89            | -918       | -9.18         | 153           | -447       | -4.47         | 217           | -144       | -1.44         |
| 26            | -1987      | -19.87        | 90            | -908       | -9.08         | 154           | -441       | -4.41         | 218           | -140       | -1.4          |
| 27            | -1954      | -19.54        | 91            | -898       | -8.98         | 155           | -436       | -4.36         | 219           | -136       | -1.36         |
| 28            | -1922      | -19.22        | 92            | -889       | -8.89         | 156           | -430       | -4.3          | 220           | -132       | -1.32         |
| 29            | -1892      | -18.92        | 93            | -880       | -8.8          | 157           | -425       | -4.25         | 221           | -128       | -1.28         |
| 30            | -1862      | -18.62        | 94            | -870       | -8.7          | 158           | -419       | -4.19         | 222           | -124       | -1.24         |
| 31            | -1834      | -18.34        | 95            | -861       | -8.61         | 159           | -414       | -4.14         | 223           | -120       | -1.2          |
| 32            | -1806      | -18.06        | 96            | -852       | -8.52         | 160           | -408       | -4.08         | 224           | -116       | -1.16         |
| 33            | -1779      | -17.79        | 97            | -843       | -8.43         | 161           | -403       | -4.03         | 225           | -112       | -1.12         |
| 34            | -1754      | -17.54        | 98            | -834       | -8.34         | 162           | -397       | -3.97         | 226           | -108       | -1.08         |
| 35            | -1728      | -17.28        | 99            | -825       | -8.25         | 163           | -392       | -3.92         | 227           | -104       | -1.04         |
| 36            | -1704      | -17.04        | 100           | -816       | -8.16         | 164           | -387       | -3.87         | 228           | -101       | -1.01         |
| 37            | -1680      | -16.8         | 101           | -808       | -8.08         | 165           | -382       | -3.82         | 229           | -97        | -0.97         |
| 38            | -1657      | -16.57        | 102           | -799       | -7.99         | 166           | -376       | -3.76         | 230           | -93        | -0.93         |
| 39            | -1634      | -16.34        | 103           | -791       | -7.91         | 167           | -371       | -3.71         | 231           | -89        | -0.89         |
| 40            | -1612      | -16.12        | 104           | -782       | -7.82         | 168           | -366       | -3.66         | 232           | -86        | -0.86         |
| 41            | -1591      | -15.91        | 105           | -774       | -7.74         | 169           | -361       | -3.61         | 233           | -82        | -0.82         |
| 42            | -1570      | -15.7         | 106           | -766       | -7.66         | 170           | -356       | -3.56         | 234           | -78        | -0.78         |
| 43            | -1550      | -15.5         | 107           | -758       | -7.58         | 171           | -350       | -3.5          | 235           | -74        | -0.74         |
| 44            | -1530      | -15.3         | 108           | -750       | -7.5          | 172           | -345       | -3.45         | 236           | -71        | -0.71         |
| 45            | -1510      | -15.1         | 109           | -742       | -7.42         | 173           | -340       | -3.4          | 237           | -67        | -0.67         |
| 46            | -1491      | -14.91        | 110           | -734       | -7.34         | 174           | -335       | -3.35         | 238           | -63        | -0.63         |
| 47            | -1472      | -14.72        | 111           | -726       | -7.26         | 175           | -330       | -3.3          | 239           | -60        | -0.6          |
| 48            | -1454      | -14.54        | 112           | -718       | -7.18         | 176           | -325       | -3.25         | 240           | -56        | -0.56         |
| 49            | -1436      | -14.36        | 113           | -710       | -7.1          | 177           | -321       | -3.21         | 241           | -52        | -0.52         |
| 50            | -1419      | -14.19        | 114           | -703       | -7.03         | 178           | -316       | -3.16         | 242           | -49        | -0.49         |

| Gain in Index | Gain in dB | Real dB value | Gain in Index | Gain in dB | Real dB value | Gain in Index | Gain in dB | Real dB value | Gain in Index | Gain in dB | Real dB value |
|---------------|------------|---------------|---------------|------------|---------------|---------------|------------|---------------|---------------|------------|---------------|
| 51            | -1401      | -14.01        | 115           | -695       | -6.95         | 179           | -311       | -3.11         | 243           | -45        | -0.45         |
| 52            | -1384      | -13.84        | 116           | -688       | -6.88         | 180           | -306       | -3.06         | 244           | -42        | -0.42         |
| 53            | -1368      | -13.68        | 117           | -680       | -6.8          | 181           | -301       | -3.01         | 245           | -38        | -0.38         |
| 54            | -1352      | -13.52        | 118           | -673       | -6.73         | 182           | -296       | -2.96         | 246           | -35        | -0.35         |
| 55            | -1336      | -13.36        | 119           | -665       | -6.65         | 183           | -292       | -2.92         | 247           | -31        | -0.31         |
| 56            | -1320      | -13.2         | 120           | -658       | -6.58         | 184           | -287       | -2.87         | 248           | -28        | -0.28         |
| 57            | -1305      | -13.05        | 121           | -651       | -6.51         | 185           | -282       | -2.82         | 249           | -24        | -0.24         |
| 58            | -1290      | -12.9         | 122           | -644       | -6.44         | 186           | -277       | -2.77         | 250           | -21        | -0.21         |
| 59            | -1275      | -12.75        | 123           | -637       | -6.37         | 187           | -273       | -2.73         | 251           | -17        | -0.17         |
| 60            | -1260      | -12.6         | 124           | -630       | -6.3          | 188           | -268       | -2.68         | 252           | -14        | -0.14         |
| 61            | -1246      | -12.46        | 125           | -623       | -6.23         | 189           | -264       | -2.64         | 253           | -10        | -0.1          |
| 62            | -1232      | -12.32        | 126           | -616       | -6.16         | 190           | -259       | -2.59         | 254           | -7         | -0.07         |
| 63            | -1218      | -12.18        | 127           | -609       | -6.09         | 191           | -254       | -2.54         | 255           | 0          | 0             |

---

*Note:* For AirPrime AR6220 and WP6200 the lowest tone gain value (index 0) is -48.16 db instead of -80.00 dB.

---

**For AirPrime SL808xT and Q2698 embedded modules (default values are grayed):**

| Gain in index | Gain in dB | Real dB value | Gain in index | Gain in dB | Real dB value |
|---------------|------------|---------------|---------------|------------|---------------|
| 0             | -5000      | -50           | 4             | -1500      | -15           |
| 1             | -4100      | -41           | 5             | -500       | -5            |
| 2             | -3200      | -32           | 6             | 300        | 3             |
| 3             | -2300      | -23           | 7             | 1200       | 12            |

## 21.17. DTMF Detection Mode +WDDM



### 21.17.1. Description

This specific command allows to start/stop the DTMF detection.

### 21.17.2. Syntax

#### *Action command*

```
AT+WDDM=<mode>
```

OK

#### *Read command*

```
AT+WDDM?
```

```
+WDDM: <mode>
```

OK

#### *Test command*

```
AT+WDDM=?
```

```
+WDDM: (list of supported <mode>s)
```

OK

#### *Unsolicited response*

```
+WDDI: <char>,<duration>
```

### 21.17.3. Parameters and defined values

|                                                                                                                                                                                         |                                                                                                                                                                           |
|-----------------------------------------------------------------------------------------------------------------------------------------------------------------------------------------|---------------------------------------------------------------------------------------------------------------------------------------------------------------------------|
| <b>&lt;mode&gt;:</b>                                                                                                                                                                    | DTMF detection activation                                                                                                                                                 |
| 0                                                                                                                                                                                       | stop DTMF detection (default value)                                                                                                                                       |
| 1                                                                                                                                                                                       | start DTMF detection                                                                                                                                                      |
| <p><i>Note:</i> For AirPrime SL301x, SL808xT and Q2698. In order to receive and decode the DTMF signals successfully, DTMF decoding should be enabled before a call is established.</p> |                                                                                                                                                                           |
| <b>&lt;char&gt;:</b>                                                                                                                                                                    | detected DTMF character<br>possible detected DTMF characters: [0-9],[A-D],*, #                                                                                            |
| <b>&lt;duration&gt;:</b>                                                                                                                                                                | duration of the incoming character in milliseconds<br>range: 20 (depending on DTMF decoder behavior) to 1200000 approximately (value limited by the network capabilities) |

### 21.17.4. Parameter storage

The <mode> parameter is stored in EEPROM without using the AT&W command.

The default values can be restored using AT&F.

### 21.17.5. Examples

| Command                                               | Responses                                                                         |
|-------------------------------------------------------|-----------------------------------------------------------------------------------|
| <b>AT+WDDM=?</b><br><i>Note: Test command</i>         | +WDDM: (0,1)                                                                      |
| <b>AT+WDDM=1</b><br><i>Note: Start DTMF detection</i> | OK                                                                                |
| <b>AT+WDDM=1</b><br><i>Note: Start DTMF detection</i> | +CME ERROR: 558<br><i>Note: DTMF detection already started by another client.</i> |
| <b>AT+WDDM?</b><br><i>Note: Read current value</i>    | +WDDM: 1<br>OK<br><i>Note: Detection started</i>                                  |
|                                                       | +WDDI: "*" , 60<br><i>Note: "*" char was detected during 60ms</i>                 |
| <b>AT+WDDM=0</b><br><i>Note: Stop DTMF detection</i>  | OK                                                                                |

## 21.17.6. Notes

- The DTMF decoding will be only available for one applicative layer: AT1 or OS. If the DTMF decoding is requested by one part and then requested by another part, a specific error (+CME ERROR: 558 ) will be returned to the second part.
- The different audio filters and processes in Rx path should not be activated while DTMF decoding mode is set.

The following AT commands are partially deactivated when DTMF decoding is activated:

- +WADF command
- +ECHO command

The different audio filters return in its old state when DTMF decoder is deactivated.

- When the detector is enabled (with +WDDM AT command), each time an incoming DTMF is detected, an unsolicited response will be returned by the embedded module with DTMF value and its duration.
- If DTMF comes with duration lower than 20ms, the unsolicited event +WDDI will not be returned.
- Decoded DTMF signals will be notified only during a voice call.
- The DTMF decoding is only suspended when the voice call is finished and when the SU does not request the DTMF decoding deactivation.

## 21.18. Set Standard Tone +WSST



### 21.18.1. Description

This Sierra Wireless proprietary command allows to set/get the level of the standard tones (outgoing call tone level, busy tone level and congestion tone level).

### 21.18.2. Syntax

#### *Action command*

```
AT+WSST=<N/A>[,<ring tone level>]  
AT+WSST=[<N/A>],<ring tone level>  
OK
```

#### *Read command*

```
AT+WSST?  
+WSST: <N/A>,<ring tone level>  
OK
```

#### *Test command*

```
AT+WSST=?  
+WSST: (list of supported <N/A>),(list of supported  
<ring tone level>s)  
OK
```

### 21.18.3. Parameters and Defined Values

|                    |                 |
|--------------------|-----------------|
| <N/A>:             | not applicable  |
| <ring tone level>: | ring tone level |

|                       |                                                                                                                                                                                                                                                                                                                                                                                                                                                                                                                                                                                                                      |
|-----------------------|----------------------------------------------------------------------------------------------------------------------------------------------------------------------------------------------------------------------------------------------------------------------------------------------------------------------------------------------------------------------------------------------------------------------------------------------------------------------------------------------------------------------------------------------------------------------------------------------------------------------|
| <b>&lt;level&gt;:</b> | <p>There are two configuration modes:</p> <ul style="list-style-type: none"> <li>the gain is entered in deci dB units,</li> <li>the gain is entered in index.</li> </ul> <p>By default gains are expressed in deci dB value.</p> <p>All values are possible between the minimum and maximum values of the table given in the Notes section. If a value does not correspond to a table value, the nearest is kept.</p> <p>If the configuration mode has been changed with +WBHV command to the index mode, the deci dB value will correspond to the index entered as described in the table of the Notes section.</p> |
|-----------------------|----------------------------------------------------------------------------------------------------------------------------------------------------------------------------------------------------------------------------------------------------------------------------------------------------------------------------------------------------------------------------------------------------------------------------------------------------------------------------------------------------------------------------------------------------------------------------------------------------------------------|

## 21.18.4. Parameter Storage

The parameters are stored in EEPROM without using the AT&W command.

## 21.18.5. Examples

| Command                                                                | Responses                         |
|------------------------------------------------------------------------|-----------------------------------|
| <b>AT+WSST=?</b><br><i>Note: Get supported parameters</i>              | +WSST: (-8000-0), (-8000-0)<br>OK |
| <b>AT+WSST=, -301</b><br><i>Note: Set ring tone level to -3.01dB</i>   | OK                                |
| <b>AT+WSST?</b><br><i>Note: Get current standard tones sound level</i> | +WSST: -4214, -301<br>OK          |
| <b>AT+WBHV=8, 1</b><br><i>Note: Set configuration to indexed mode</i>  | OK                                |
| <b>AT+WSST=?</b><br><i>Note: Get supported parameters</i>              | +WSST: (0-255), (0-255)<br>OK     |
| <b>AT+WSST=, 5</b><br><i>Note: Set ring tone level to 5</i>            | OK                                |

## 21.18.6. Notes

Below are listed the values for <level>. They are in deci dB units and index. Default values are grayed in the following table.

| Gain in index | Gain in dB | Real dB value | Gain in index | Gain in dB | Real dB value | Gain in index | Gain in dB | Real dB value | Gain in index | Gain in dB | Real dB value |
|---------------|------------|---------------|---------------|------------|---------------|---------------|------------|---------------|---------------|------------|---------------|
| 0             | -8000      | -80           | 64            | -1204      | -12.04        | 128           | -602       | -6.02         | 192           | -250       | -2.5          |
| 1             | -4816      | -48.16        | 65            | -1191      | -11.91        | 129           | -595       | -5.95         | 193           | -245       | -2.45         |
| 2             | -4214      | -42.14        | 66            | -1177      | -11.77        | 130           | -589       | -5.89         | 194           | -241       | -2.41         |
| 3             | -3862      | -38.62        | 67            | -1164      | -11.64        | 131           | -582       | -5.82         | 195           | -236       | -2.36         |
| 4             | -3612      | -36.12        | 68            | -1151      | -11.51        | 132           | -575       | -5.75         | 196           | -232       | -2.32         |
| 5             | -3419      | -34.19        | 69            | -1139      | -11.39        | 133           | -569       | -5.69         | 197           | -228       | -2.28         |
| 6             | -3260      | -32.6         | 70            | -1126      | -11.26        | 134           | -562       | -5.62         | 198           | -223       | -2.23         |
| 7             | -3126      | -31.26        | 71            | -1114      | -11.14        | 135           | -556       | -5.56         | 199           | -219       | -2.19         |
| 8             | -3010      | -30.1         | 72            | -1102      | -11.02        | 136           | -549       | -5.49         | 200           | -214       | -2.14         |
| 9             | -2908      | -29.08        | 73            | -1090      | -10.9         | 137           | -543       | -5.43         | 201           | -210       | -2.1          |
| 10            | -2816      | -28.16        | 74            | -1078      | -10.78        | 138           | -537       | -5.37         | 202           | -206       | -2.06         |
| 11            | -2734      | -27.34        | 75            | -1066      | -10.66        | 139           | -530       | -5.3          | 203           | -201       | -2.01         |
| 12            | -2658      | -26.58        | 76            | -1055      | -10.55        | 140           | -524       | -5.24         | 204           | -197       | -1.97         |
| 13            | -2589      | -25.89        | 77            | -1043      | -10.43        | 141           | -518       | -5.18         | 205           | -193       | -1.93         |
| 14            | -2524      | -25.24        | 78            | -1032      | -10.32        | 142           | -512       | -5.12         | 206           | -189       | -1.89         |
| 15            | -2464      | -24.64        | 79            | -1021      | -10.21        | 143           | -506       | -5.06         | 207           | -185       | -1.85         |
| 16            | -2408      | -24.08        | 80            | -1010      | -10.1         | 144           | -500       | -5            | 208           | -180       | -1.8          |
| 17            | -2356      | -23.56        | 81            | -1000      | -10           | 145           | -494       | -4.94         | 209           | -176       | -1.76         |
| 18            | -2306      | -23.06        | 82            | -989       | -9.89         | 146           | -488       | -4.88         | 210           | -172       | -1.72         |
| 19            | -2259      | -22.59        | 83            | -978       | -9.78         | 147           | -482       | -4.82         | 211           | -168       | -1.68         |
| 20            | -2214      | -22.14        | 84            | -968       | -9.68         | 148           | -476       | -4.76         | 212           | -164       | -1.64         |
| 21            | -2172      | -21.72        | 85            | -958       | -9.58         | 149           | -470       | -4.7          | 213           | -160       | -1.6          |
| 22            | -2132      | -21.32        | 86            | -947       | -9.47         | 150           | -464       | -4.64         | 214           | -156       | -1.56         |
| 23            | -2093      | -20.93        | 87            | -937       | -9.37         | 151           | -459       | -4.59         | 215           | -152       | -1.52         |
| 24            | -2056      | -20.56        | 88            | -928       | -9.28         | 152           | -453       | -4.53         | 216           | -148       | -1.48         |
| 25            | -2021      | -20.21        | 89            | -918       | -9.18         | 153           | -447       | -4.47         | 217           | -144       | -1.44         |
| 26            | -1987      | -19.87        | 90            | -908       | -9.08         | 154           | -441       | -4.41         | 218           | -140       | -1.4          |



| Gain in index | Gain in dB | Real dB value | Gain in index | Gain in dB | Real dB value | Gain in index | Gain in dB | Real dB value | Gain in index | Gain in dB | Real dB value |
|---------------|------------|---------------|---------------|------------|---------------|---------------|------------|---------------|---------------|------------|---------------|
| 27            | -1954      | -19.54        | 91            | -898       | -8.98         | 155           | -436       | -4.36         | 219           | -136       | -1.36         |
| 28            | -1922      | -19.22        | 92            | -889       | -8.89         | 156           | -430       | -4.3          | 220           | -132       | -1.32         |
| 29            | -1892      | -18.92        | 93            | -880       | -8.8          | 157           | -425       | -4.25         | 221           | -128       | -1.28         |
| 30            | -1862      | -18.62        | 94            | -870       | -8.7          | 158           | -419       | -4.19         | 222           | -124       | -1.24         |
| 31            | -1834      | -18.34        | 95            | -861       | -8.61         | 159           | -414       | -4.14         | 223           | -120       | -1.2          |
| 32            | -1806      | -18.06        | 96            | -852       | -8.52         | 160           | -408       | -4.08         | 224           | -116       | -1.16         |
| 33            | -1779      | -17.79        | 97            | -843       | -8.43         | 161           | -403       | -4.03         | 225           | -112       | -1.12         |
| 34            | -1754      | -17.54        | 98            | -834       | -8.34         | 162           | -397       | -3.97         | 226           | -108       | -1.08         |
| 35            | -1728      | -17.28        | 99            | -825       | -8.25         | 163           | -392       | -3.92         | 227           | -104       | -1.04         |
| 36            | -1704      | -17.04        | 100           | -816       | -8.16         | 164           | -387       | -3.87         | 228           | -101       | -1.01         |
| 37            | -1680      | -16.8         | 101           | -808       | -8.08         | 165           | -382       | -3.82         | 229           | -97        | -0.97         |
| 38            | -1657      | -16.57        | 102           | -799       | -7.99         | 166           | -376       | -3.76         | 230           | -93        | -0.93         |
| 39            | -1634      | -16.34        | 103           | -791       | -7.91         | 167           | -371       | -3.71         | 231           | -89        | -0.89         |
| 40            | -1612      | -16.12        | 104           | -782       | -7.82         | 168           | -366       | -3.66         | 232           | -86        | -0.86         |
| 41            | -1591      | -15.91        | 105           | -774       | -7.74         | 169           | -361       | -3.61         | 233           | -82        | -0.82         |
| 42            | -1570      | -15.7         | 106           | -766       | -7.66         | 170           | -356       | -3.56         | 234           | -78        | -0.78         |
| 43            | -1550      | -15.5         | 107           | -758       | -7.58         | 171           | -350       | -3.5          | 235           | -74        | -0.74         |
| 44            | -1530      | -15.3         | 108           | -750       | -7.5          | 172           | -345       | -3.45         | 236           | -71        | -0.71         |
| 45            | -1510      | -15.1         | 109           | -742       | -7.42         | 173           | -340       | -3.4          | 237           | -67        | -0.67         |
| 46            | -1491      | -14.91        | 110           | -734       | -7.34         | 174           | -335       | -3.35         | 238           | -63        | -0.63         |
| 47            | -1472      | -14.72        | 111           | -726       | -7.26         | 175           | -330       | -3.3          | 239           | -60        | -0.6          |
| 48            | -1454      | -14.54        | 112           | -718       | -7.18         | 176           | -325       | -3.25         | 240           | -56        | -0.56         |
| 49            | -1436      | -14.36        | 113           | -710       | -7.1          | 177           | -321       | -3.21         | 241           | -52        | -0.52         |
| 50            | -1419      | -14.19        | 114           | -703       | -7.03         | 178           | -316       | -3.16         | 242           | -49        | -0.49         |
| 51            | -1401      | -14.01        | 115           | -695       | -6.95         | 179           | -311       | -3.11         | 243           | -45        | -0.45         |
| 52            | -1384      | -13.84        | 116           | -688       | -6.88         | 180           | -306       | -3.06         | 244           | -42        | -0.42         |
| 53            | -1368      | -13.68        | 117           | -680       | -6.8          | 181           | -301       | -3.01         | 245           | -38        | -0.38         |

| Gain in index | Gain in dB | Real dB value | Gain in index | Gain in dB | Real dB value | Gain in index | Gain in dB | Real dB value | Gain in index | Gain in dB | Real dB value |
|---------------|------------|---------------|---------------|------------|---------------|---------------|------------|---------------|---------------|------------|---------------|
| 54            | -1352      | -13.52        | 118           | -673       | -6.73         | 182           | -296       | -2.96         | 246           | -35        | -0.35         |
| 55            | -1336      | -13.36        | 119           | -665       | -6.65         | 183           | -292       | -2.92         | 247           | -31        | -0.31         |
| 56            | -1320      | -13.2         | 120           | -658       | -6.58         | 184           | -287       | -2.87         | 248           | -28        | -0.28         |
| 57            | -1305      | -13.05        | 121           | -651       | -6.51         | 185           | -282       | -2.82         | 249           | -24        | -0.24         |
| 58            | -1290      | -12.9         | 122           | -644       | -6.44         | 186           | -277       | -2.77         | 250           | -21        | -0.21         |
| 59            | -1275      | -12.75        | 123           | -637       | -6.37         | 187           | -273       | -2.73         | 251           | -17        | -0.17         |
| 60            | -1260      | -12.6         | 124           | -630       | -6.3          | 188           | -268       | -2.68         | 252           | -14        | -0.14         |
| 61            | -1246      | -12.46        | 125           | -623       | -6.23         | 189           | -264       | -2.64         | 253           | -10        | -0.1          |
| 62            | -1232      | -12.32        | 126           | -616       | -6.16         | 190           | -259       | -2.59         | 254           | -7         | -0.07         |
| 63            | -1218      | -12.18        | 127           | -609       | -6.09         | 191           | -254       | -2.54         | 255           | 0          | 0             |

---

*Note: For AirPrime AR6220 and WP6200 the lowest tone gain value (index 0) is -48.16 db instead of -80.00 dB.*

---

## 21.19. Ring Melody Playback +CRMP



### 21.19.1. Description

This command allows a melody to be played. All melodies are manufacturer defined.

For incoming voice, data or fax calls, 10 manufacturer-defined melodies can be played back (in a loop).

For an incoming short message, 2 manufacturer-defined sounds can be played back (once).

Melody #1: short beep / Melody #2: long beep.

### 21.19.2. Syntax

#### *Action command*

```
AT+CRMP=<call type>[, [<volume>] [, [<type>] [, <index>]]]
```

OK

#### *Read command*

```
AT+CRMP?
```

OK

#### *Test command*

```
AT+CRMP=?
```

```
+CRMP: (list of supported <call type>s), (list of supported <volume>s), (list of supported <type>s), (list of supported <index>s)
```

OK

### 21.19.3. Parameters and Defined Values

|                           |                                                                                                                                                                                                                                                                                                                                                                                                                                                                                                                                                                                                                          |
|---------------------------|--------------------------------------------------------------------------------------------------------------------------------------------------------------------------------------------------------------------------------------------------------------------------------------------------------------------------------------------------------------------------------------------------------------------------------------------------------------------------------------------------------------------------------------------------------------------------------------------------------------------------|
| <b>&lt;call type&gt;:</b> | call type                                                                                                                                                                                                                                                                                                                                                                                                                                                                                                                                                                                                                |
| 0                         | incoming voice call                                                                                                                                                                                                                                                                                                                                                                                                                                                                                                                                                                                                      |
| 1                         | incoming data call                                                                                                                                                                                                                                                                                                                                                                                                                                                                                                                                                                                                       |
| 2                         | incoming fax call                                                                                                                                                                                                                                                                                                                                                                                                                                                                                                                                                                                                        |
| 3                         | incoming short message (SMS)                                                                                                                                                                                                                                                                                                                                                                                                                                                                                                                                                                                             |
| <b>&lt;volume&gt;:</b>    | <p>There are two configuration modes:</p> <ul style="list-style-type: none"> <li>- the gain is entered in deci dB units,</li> <li>- the gain is entered in index.</li> </ul> <p>By default gains are expressed in deci dB value.</p> <p>All values are possible between the minimum and maximum values of the table given in the Notes section. If a value does not correspond to a table value, the nearest is kept.</p> <p>If the configuration mode has been changed with +WBHV command to the index mode, the deci dB value will correspond to the index entered as described in the table of the Notes section.</p> |
| <b>&lt;type&gt;:</b>      | melody type                                                                                                                                                                                                                                                                                                                                                                                                                                                                                                                                                                                                              |
| 0                         | manufacturer defined (default value if omitted)                                                                                                                                                                                                                                                                                                                                                                                                                                                                                                                                                                          |
| <b>&lt;index&gt;:</b>     | melody index                                                                                                                                                                                                                                                                                                                                                                                                                                                                                                                                                                                                             |
| 0                         | stop melody playback                                                                                                                                                                                                                                                                                                                                                                                                                                                                                                                                                                                                     |
| 1-10                      | melody ID (default value if omitted: 1)                                                                                                                                                                                                                                                                                                                                                                                                                                                                                                                                                                                  |
|                           | Range of values: 1 to 10 for voice/data/fax call type, and 1 to 2 for short messages.                                                                                                                                                                                                                                                                                                                                                                                                                                                                                                                                    |

### 21.19.4. Parameter Storage

None

## 21.19.5. Examples

| Command                                                                                            | Responses                                 |
|----------------------------------------------------------------------------------------------------|-------------------------------------------|
| <b>AT+CRMP=0,-1510,0,2</b><br><i>Note: Play voice call melody index 2 with volume level -15dB.</i> | OK<br><i>Note: Melody playback</i>        |
| <b>AT+CRMP=0,,,0</b><br><i>Note: Stop the melody.</i>                                              | OK<br><i>Note: The melody is stopped.</i> |
| <b>AT+CRMP=?</b><br><i>Note: Supported parameters</i>                                              | +CRMP: (0-3),(-8000-0),0,(0-10)<br>OK     |
| <b>AT+WBHV=8,1</b><br><i>Note: Set configuration to indexed mode</i>                               | OK                                        |
| <b>AT+CRMP=0,7,0,2</b><br><i>Note: Play voice call melody index 2 with volume level 7.</i>         | OK                                        |
| <b>AT+CRMP=?</b><br><i>Note: Supported parameters</i>                                              | +CRMP: (0-3),(0-255),0,(0-10)<br>OK       |

## 21.19.6. Notes

Loop melodies (for voice/data/fax call) must be stopped by a +CRMP command with the <index> field set to 0 (example: AT+CRMP=0,,,0).

When the <volume> parameter is given, this overwrites the <sound level> value of the +CRSL command. If the <volume> parameter is not given, the <sound level> value of +CRSL is used as default value.

+CRMP command does not associate a specific melody to a specific incoming call type i.e. selected melody will be played in local. Separate melodies cannot be associated with data call, voice call or fax using +CRMP command

Below are listed the values for <volume>. They are in deci dB units and index.

| Gain in index | Gain in dB | Real dB value | Gain in index | Gain in dB | Real dB value | Gain in index | Gain in dB | Real dB value | Gain in index | Gain in dB | Real dB value |
|---------------|------------|---------------|---------------|------------|---------------|---------------|------------|---------------|---------------|------------|---------------|
| 0             | -8000      | -80           | 64            | -1204      | -12.04        | 128           | -602       | -6.02         | 192           | -250       | -2.5          |
| 1             | -4816      | -48.16        | 65            | -1191      | -11.91        | 129           | -595       | -5.95         | 193           | -245       | -2.45         |
| 2             | -4214      | -42.14        | 66            | -1177      | -11.77        | 130           | -589       | -5.89         | 194           | -241       | -2.41         |
| 3             | -3862      | -38.62        | 67            | -1164      | -11.64        | 131           | -582       | -5.82         | 195           | -236       | -2.36         |
| 4             | -3612      | -36.12        | 68            | -1151      | -11.51        | 132           | -575       | -5.75         | 196           | -232       | -2.32         |
| 5             | -3419      | -34.19        | 69            | -1139      | -11.39        | 133           | -569       | -5.69         | 197           | -228       | -2.28         |
| 6             | -3260      | -32.6         | 70            | -1126      | -11.26        | 134           | -562       | -5.62         | 198           | -223       | -2.23         |
| 7             | -3126      | -31.26        | 71            | -1114      | -11.14        | 135           | -556       | -5.56         | 199           | -219       | -2.19         |
| 8             | -3010      | -30.1         | 72            | -1102      | -11.02        | 136           | -549       | -5.49         | 200           | -214       | -2.14         |
| 9             | -2908      | -29.08        | 73            | -1090      | -10.9         | 137           | -543       | -5.43         | 201           | -210       | -2.1          |
| 10            | -2816      | -28.16        | 74            | -1078      | -10.78        | 138           | -537       | -5.37         | 202           | -206       | -2.06         |
| 11            | -2734      | -27.34        | 75            | -1066      | -10.66        | 139           | -530       | -5.3          | 203           | -201       | -2.01         |
| 12            | -2658      | -26.58        | 76            | -1055      | -10.55        | 140           | -524       | -5.24         | 204           | -197       | -1.97         |
| 13            | -2589      | -25.89        | 77            | -1043      | -10.43        | 141           | -518       | -5.18         | 205           | -193       | -1.93         |
| 14            | -2524      | -25.24        | 78            | -1032      | -10.32        | 142           | -512       | -5.12         | 206           | -189       | -1.89         |
| 15            | -2464      | -24.64        | 79            | -1021      | -10.21        | 143           | -506       | -5.06         | 207           | -185       | -1.85         |
| 16            | -2408      | -24.08        | 80            | -1010      | -10.1         | 144           | -500       | -5            | 208           | -180       | -1.8          |
| 17            | -2356      | -23.56        | 81            | -1000      | -10           | 145           | -494       | -4.94         | 209           | -176       | -1.76         |
| 18            | -2306      | -23.06        | 82            | -989       | -9.89         | 146           | -488       | -4.88         | 210           | -172       | -1.72         |
| 19            | -2259      | -22.59        | 83            | -978       | -9.78         | 147           | -482       | -4.82         | 211           | -168       | -1.68         |
| 20            | -2214      | -22.14        | 84            | -968       | -9.68         | 148           | -476       | -4.76         | 212           | -164       | -1.64         |
| 21            | -2172      | -21.72        | 85            | -958       | -9.58         | 149           | -470       | -4.7          | 213           | -160       | -1.6          |
| 22            | -2132      | -21.32        | 86            | -947       | -9.47         | 150           | -464       | -4.64         | 214           | -156       | -1.56         |
| 23            | -2093      | -20.93        | 87            | -937       | -9.37         | 151           | -459       | -4.59         | 215           | -152       | -1.52         |
| 24            | -2056      | -20.56        | 88            | -928       | -9.28         | 152           | -453       | -4.53         | 216           | -148       | -1.48         |
| 25            | -2021      | -20.21        | 89            | -918       | -9.18         | 153           | -447       | -4.47         | 217           | -144       | -1.44         |

| Gain in index | Gain in dB | Real dB value | Gain in index | Gain in dB | Real dB value | Gain in index | Gain in dB | Real dB value | Gain in index | Gain in dB | Real dB value |
|---------------|------------|---------------|---------------|------------|---------------|---------------|------------|---------------|---------------|------------|---------------|
| 26            | -1987      | -19.87        | 90            | -908       | -9.08         | 154           | -441       | -4.41         | 218           | -140       | -1.4          |
| 27            | -1954      | -19.54        | 91            | -898       | -8.98         | 155           | -436       | -4.36         | 219           | -136       | -1.36         |
| 28            | -1922      | -19.22        | 92            | -889       | -8.89         | 156           | -430       | -4.3          | 220           | -132       | -1.32         |
| 29            | -1892      | -18.92        | 93            | -880       | -8.8          | 157           | -425       | -4.25         | 221           | -128       | -1.28         |
| 30            | -1862      | -18.62        | 94            | -870       | -8.7          | 158           | -419       | -4.19         | 222           | -124       | -1.24         |
| 31            | -1834      | -18.34        | 95            | -861       | -8.61         | 159           | -414       | -4.14         | 223           | -120       | -1.2          |
| 32            | -1806      | -18.06        | 96            | -852       | -8.52         | 160           | -408       | -4.08         | 224           | -116       | -1.16         |
| 33            | -1779      | -17.79        | 97            | -843       | -8.43         | 161           | -403       | -4.03         | 225           | -112       | -1.12         |
| 34            | -1754      | -17.54        | 98            | -834       | -8.34         | 162           | -397       | -3.97         | 226           | -108       | -1.08         |
| 35            | -1728      | -17.28        | 99            | -825       | -8.25         | 163           | -392       | -3.92         | 227           | -104       | -1.04         |
| 36            | -1704      | -17.04        | 100           | -816       | -8.16         | 164           | -387       | -3.87         | 228           | -101       | -1.01         |
| 37            | -1680      | -16.8         | 101           | -808       | -8.08         | 165           | -382       | -3.82         | 229           | -97        | -0.97         |
| 38            | -1657      | -16.57        | 102           | -799       | -7.99         | 166           | -376       | -3.76         | 230           | -93        | -0.93         |
| 39            | -1634      | -16.34        | 103           | -791       | -7.91         | 167           | -371       | -3.71         | 231           | -89        | -0.89         |
| 40            | -1612      | -16.12        | 104           | -782       | -7.82         | 168           | -366       | -3.66         | 232           | -86        | -0.86         |
| 41            | -1591      | -15.91        | 105           | -774       | -7.74         | 169           | -361       | -3.61         | 233           | -82        | -0.82         |
| 42            | -1570      | -15.7         | 106           | -766       | -7.66         | 170           | -356       | -3.56         | 234           | -78        | -0.78         |
| 43            | -1550      | -15.5         | 107           | -758       | -7.58         | 171           | -350       | -3.5          | 235           | -74        | -0.74         |
| 44            | -1530      | -15.3         | 108           | -750       | -7.5          | 172           | -345       | -3.45         | 236           | -71        | -0.71         |
| 45            | -1510      | -15.1         | 109           | -742       | -7.42         | 173           | -340       | -3.4          | 237           | -67        | -0.67         |
| 46            | -1491      | -14.91        | 110           | -734       | -7.34         | 174           | -335       | -3.35         | 238           | -63        | -0.63         |
| 47            | -1472      | -14.72        | 111           | -726       | -7.26         | 175           | -330       | -3.3          | 239           | -60        | -0.6          |
| 48            | -1454      | -14.54        | 112           | -718       | -7.18         | 176           | -325       | -3.25         | 240           | -56        | -0.56         |
| 49            | -1436      | -14.36        | 113           | -710       | -7.1          | 177           | -321       | -3.21         | 241           | -52        | -0.52         |
| 50            | -1419      | -14.19        | 114           | -703       | -7.03         | 178           | -316       | -3.16         | 242           | -49        | -0.49         |
| 51            | -1401      | -14.01        | 115           | -695       | -6.95         | 179           | -311       | -3.11         | 243           | -45        | -0.45         |
| 52            | -1384      | -13.84        | 116           | -688       | -6.88         | 180           | -306       | -3.06         | 244           | -42        | -0.42         |

| Gain in index | Gain in dB | Real dB value | Gain in index | Gain in dB | Real dB value | Gain in index | Gain in dB | Real dB value | Gain in index | Gain in dB | Real dB value |
|---------------|------------|---------------|---------------|------------|---------------|---------------|------------|---------------|---------------|------------|---------------|
| 53            | -1368      | -13.68        | 117           | -680       | -6.8          | 181           | -301       | -3.01         | 245           | -38        | -0.38         |
| 54            | -1352      | -13.52        | 118           | -673       | -6.73         | 182           | -296       | -2.96         | 246           | -35        | -0.35         |
| 55            | -1336      | -13.36        | 119           | -665       | -6.65         | 183           | -292       | -2.92         | 247           | -31        | -0.31         |
| 56            | -1320      | -13.2         | 120           | -658       | -6.58         | 184           | -287       | -2.87         | 248           | -28        | -0.28         |
| 57            | -1305      | -13.05        | 121           | -651       | -6.51         | 185           | -282       | -2.82         | 249           | -24        | -0.24         |
| 58            | -1290      | -12.9         | 122           | -644       | -6.44         | 186           | -277       | -2.77         | 250           | -21        | -0.21         |
| 59            | -1275      | -12.75        | 123           | -637       | -6.37         | 187           | -273       | -2.73         | 251           | -17        | -0.17         |
| 60            | -1260      | -12.6         | 124           | -630       | -6.3          | 188           | -268       | -2.68         | 252           | -14        | -0.14         |
| 61            | -1246      | -12.46        | 125           | -623       | -6.23         | 189           | -264       | -2.64         | 253           | -10        | -0.1          |
| 62            | -1232      | -12.32        | 126           | -616       | -6.16         | 190           | -259       | -2.59         | 254           | -7         | -0.07         |
| 63            | -1218      | -12.18        | 127           | -609       | -6.09         | 191           | -254       | -2.54         | 255           | 0          | 0             |

---

*Note:* For AirPrime AR6220 and WP6200 the lowest tone gain value (index 0) is -48.16 db instead of -80.00 dB.

---



---

*Note:* For buzzer output, very high and very low gain values are not accepted. Hence, the nearest value is kept, which depends on the used embedded module. Please refer to Product Technical Specification, for more information.  
Example: If buzzer minimum gain is -46.03 dB and -48.06 dB gain is selected (gain 1 in index mode), then -46.03 dB is played.

---



## 21.20. Sierra Wireless Change Default Melody +WCDM



### 21.20.1. Description

This Sierra Wireless proprietary command allows the selection of a manufacturer specific melody. This default melody will be played for any new incoming voice call, either on the buzzer or on the speaker.

### 21.20.2. Syntax

#### *Action command*

```
AT+WCDM=<melody>[,<player>]  
AT+WCDM=[<melody>],<player>  
OK
```

#### *Read command*

```
AT+WCDM?  
+WCDM: <melody>,<player>  
OK
```

#### *Test command*

```
AT+WCDM=?  
+WCDM: (list of supported <melody>s),(list of supported <player>s)  
OK
```

### 21.20.3. Parameters and Defined Values

|                        |  |                                                                                          |
|------------------------|--|------------------------------------------------------------------------------------------|
| <b>&lt;melody&gt;:</b> |  | melody number                                                                            |
| 0                      |  | no melody (default value)                                                                |
|                        |  |                                                                                          |
| 1-10                   |  | melody 1 to 10                                                                           |
| <b>&lt;player&gt;:</b> |  | output used to play the melody                                                           |
| 0                      |  | The melody will be played on the buzzer for any new incoming voice call. (default value) |
|                        |  |                                                                                          |
| 1                      |  | The melody will be played on the speaker for any new incoming voice call.                |

### 21.20.4. Parameter Storage

The parameters are stored in EEPROM without using AT&W.command. The default values can be restored using AT&F.

### 21.20.5. Examples

| Command                                                                     | Responses                                                                                                                                                                     |
|-----------------------------------------------------------------------------|-------------------------------------------------------------------------------------------------------------------------------------------------------------------------------|
| <b>AT+WCDM=?</b>                                                            | +WCDM: (0-10) , (0-1)<br>OK                                                                                                                                                   |
| <b>AT+WCDM=5</b><br><i>Note: Select melody #5</i>                           | OK                                                                                                                                                                            |
| <b>AT+WCDM?</b><br><i>Note: Indicate the current melody</i>                 | +WCDM: 5, 0<br>OK<br><i>Note: Melody #5 is currently selected, and the buzzer is selected to play it. An incoming call occurs, and the melody #5 is played on the buzzer.</i> |
| <b>AT+WCDM=, 1</b><br><i>Note: Select the speaker to play the melody on</i> | OK                                                                                                                                                                            |
| <b>AT+WCDM?</b>                                                             | +WCDM: 5, 1<br>OK<br><i>Note: The speaker is selected to play the melody if an incoming call occurs.</i>                                                                      |

## 21.21. Sierra Wireless Change Default Player +WCDP



### 21.21.1. Description

This Sierra Wireless proprietary command allows the default melody player to be selected.

### 21.21.2. Syntax

#### *Action command*

```
AT+WCDP=<player>
```

OK

#### *Read command*

```
AT+WCDP?
```

```
+WCDP: <player>
```

OK

#### *Test command*

```
AT+WCDP=?
```

```
+WCDP: (list of supported <player>s)
```

OK

### 21.21.3. Parameters and Defined Values

|                        |                                    |
|------------------------|------------------------------------|
| <b>&lt;player&gt;:</b> | output selected to play the melody |
| 0                      | buzzer (default value)             |
| 1                      | speaker                            |

### 21.21.4. Parameter Storage

The <player> parameter is stored in EEPROM without using the AT&W.command The default value can be restored using AT&F.

## 21.21.5. Examples

| Command                                             | Responses          |
|-----------------------------------------------------|--------------------|
| <b>AT+WCDP=?</b>                                    | +WCDP: (0-1)<br>OK |
| <b>AT+WCDP=0</b><br><i>Note: Selects the buzzer</i> | OK                 |
| <b>AT+WCDP?</b>                                     | +WCDP: 0<br>OK     |

## 21.22. Initialize Voice Parameters +VIP



### 21.22.1. Description

This command allows factory settings for voice parameters to be restored from EEPROM.

These voice parameters include:

- gain control (+VGR & +VGT commands),
- speaker & microphone selection (+SPEAKER command),
- echo cancellation (+ECHO command),
- side tone modification (+SIDET command),
- digital gain (+WDGT, +WDGR commands),
- audio filter (+WADF command),
- loud speaker volume level (+CLVL command).

### 21.22.2. Syntax

#### *Action command*

```
AT+VIP=<n>
```

```
OK
```

#### *Read command*

```
AT+VIP?
```

```
+VIP: <n>
```

```
OK
```

#### *Test command*

```
AT+VIP=?
```

```
+VIP: (list of supported <n>s)
```

```
OK
```

### 21.22.3. Parameters and Defined Values

|     |                              |
|-----|------------------------------|
| <n> | initialization setting       |
| 1   | restore all voice parameters |

### 21.22.4. Parameter Storage

None.

### 21.22.5. Examples

| Command                                                           | Responses       |
|-------------------------------------------------------------------|-----------------|
| AT+VIP=?                                                          | +VIP: (1)<br>OK |
| AT+VIP=1<br><i>Note: Restore the factory settings from EEPROM</i> | OK              |
| AT+VIP?                                                           | +VIP: 1<br>OK   |

## 21.23. Auto-tests &T



### 21.23.1. Description

This command allows to trigger various auto-tests.

### 21.23.2. Syntax

*Action command*

**AT&T [<n>]**

OK

*Read command*

None

*Test command*

None

### 21.23.3. Parameters and Defined Values

|                   |                                     |
|-------------------|-------------------------------------|
| <b>&lt;n&gt;:</b> | auto-test activation parameter      |
| 0                 | perform software auto-tests         |
| 1                 | execute the audio loop test (close) |
| 2                 | stop the audio loop test (open)     |

### 21.23.4. Parameter Storage

None.

## 21.23.5. Examples

| Command                                                      | Responses                                                                  |
|--------------------------------------------------------------|----------------------------------------------------------------------------|
| <b>AT&amp;T0</b><br><i>Note: Perform software auto-tests</i> | OK<br><i>Note: No software problem detected, all checksums are correct</i> |

## 21.23.6. Notes

AT&T command has to be used when the MS is registered in order to process the AUDIO test loop correctly.

---

**Caution:** *The audio loop activation (enabled with AT&T1 command, disabled with AT&T2 command) involves some restrictions on the use of other AT commands.*

- *Audio loop mode must not be enabled when a communication is active.*
  - *Audio loop mode must not be enabled when a tone is under generation*
  - *Audio loop must be disabled (if active) Before opening a communication*
  - *Tone generation and sidetone modification must not be possible when the audio loop is active.*
- 

AT&T0 just returns OK (no action)

AT&T1 activates the audio loop:

- On Q268x and AirPrime WMP Series, the loop audio consists in a digital near-end loop (the microphone digital audio samples are looped back to the speaker).

AT&T2 de-activates the audio loop.



## 21.24. Audio Diagnostic Start +WADS



### 21.24.1. Description

This Sierra Wireless proprietary launches the Audio Diagnostic to make a diagnostic of audio path using a specific DTMF with duration and gain. DTMF is played by the speaker and is analyzed by the microphone and returned by the embedded module.

### 21.24.2. Syntax

#### *Action command*

```
AT+WADS=<DtmfCharacter>[ , [<DtmfDuration>] [ , <Gain>]]
```

```
+WADS: <DecodedDtmf> , <DecodedDuration>
```

```
OK
```

#### *Read command*

```
None
```

#### *Test command*

```
AT+WADS=?
```

```
+WADS: (list of supported <DtmfCharacter>s) , (list of supported  
<DtmfDuration>s) , (list of supported <Gain>s)
```

```
OK
```

### 21.24.3. Parameters and defined values

|                                  |                                                                                                                                                                                                                                                                                                                                                                                                                                                                                                                                                                                                                                                                                                           |
|----------------------------------|-----------------------------------------------------------------------------------------------------------------------------------------------------------------------------------------------------------------------------------------------------------------------------------------------------------------------------------------------------------------------------------------------------------------------------------------------------------------------------------------------------------------------------------------------------------------------------------------------------------------------------------------------------------------------------------------------------------|
| <b>&lt;DtmfCharacter&gt;:</b>    | DTMF used for the diagnostic<br><br>string type<br><br>possible values: 0-9,A,B,C,D,*,#                                                                                                                                                                                                                                                                                                                                                                                                                                                                                                                                                                                                                   |
| <b>&lt;DtmfDuration&gt;:</b>     | duration of DTMF (in ms).<br>It is equal to 100ms if omitted.<br><br>5-250 in ms, in 20 ms unit.                                                                                                                                                                                                                                                                                                                                                                                                                                                                                                                                                                                                          |
| <b>&lt;Gain&gt;:</b>             | DTMF gain<br><br>It is equal to default value if omitted (-15.1 dB, corresponding to index 45).<br>There are two configuration modes: <ul style="list-style-type: none"> <li>the gain is entered in deci dB units,</li> <li>the gain is entered in index.</li> </ul> By default gains are expressed in deci dB value.<br><br>All values are possible between the minimum and maximum values of the table given in the Notes section. If a value does not correspond to a table value, the nearest is kept.<br><br>If the configuration mode has been changed with +WBHV command to the index mode, the deci dB value will correspond to the index entered as described in the table of the Notes section. |
| <b>&lt;DecodedDtmf&gt;:</b>      | DTMF decoded.<br><br>possible values: 0-9,A,B,C,D,*,#                                                                                                                                                                                                                                                                                                                                                                                                                                                                                                                                                                                                                                                     |
| <b>&lt;DecodedDuration &gt;:</b> | DTMF decoded.<br><br>5-500 in ms, in 20ms unit                                                                                                                                                                                                                                                                                                                                                                                                                                                                                                                                                                                                                                                            |

### 21.24.4. Examples

| Command               | Responses                                        |
|-----------------------|--------------------------------------------------|
| AT+WADS=?             | +WADS: (0-9,*,#,A,B,C,D),(5-250),(-8000-0)<br>OK |
| AT+WADS="1",100,-1510 | +WADS: "1",100<br>OK                             |
| AT+WBHV=8,1           | OK                                               |

## 21.24.5. Notes

This command is available when the embedded module is in idle mode (no active voice call).

The played tone detection on microphone is not guaranteed if gain is either too small or too high.

When this feature is used, we recommend to disable the echo cancellation, using the AT+ECHO command, in order not to disrupt tones detection, which could be handled as an echo by the AEC.

Below are listed the values for <Gain>. They are in deci dB units and index.

| Gain in Index | Gain in dB | Real dB value | Gain in Index | Gain in dB | Real dB value | Gain in Index | Gain in dB | Real dB value | Gain in Index | Gain in dB | Real dB value |
|---------------|------------|---------------|---------------|------------|---------------|---------------|------------|---------------|---------------|------------|---------------|
| 0             | -8000      | -80           | 64            | -1204      | -12.04        | 128           | -602       | -6.02         | 192           | -250       | -2.5          |
| 1             | -4816      | -48.16        | 65            | -1191      | -11.91        | 129           | -595       | -5.95         | 193           | -245       | -2.45         |
| 2             | -4214      | -42.14        | 66            | -1177      | -11.77        | 130           | -589       | -5.89         | 194           | -241       | -2.41         |
| 3             | -3862      | -38.62        | 67            | -1164      | -11.64        | 131           | -582       | -5.82         | 195           | -236       | -2.36         |
| 4             | -3612      | -36.12        | 68            | -1151      | -11.51        | 132           | -575       | -5.75         | 196           | -232       | -2.32         |
| 5             | -3419      | -34.19        | 69            | -1139      | -11.39        | 133           | -569       | -5.69         | 197           | -228       | -2.28         |
| 6             | -3260      | -32.6         | 70            | -1126      | -11.26        | 134           | -562       | -5.62         | 198           | -223       | -2.23         |
| 7             | -3126      | -31.26        | 71            | -1114      | -11.14        | 135           | -556       | -5.56         | 199           | -219       | -2.19         |
| 8             | -3010      | -30.1         | 72            | -1102      | -11.02        | 136           | -549       | -5.49         | 200           | -214       | -2.14         |
| 9             | -2908      | -29.08        | 73            | -1090      | -10.9         | 137           | -543       | -5.43         | 201           | -210       | -2.1          |
| 10            | -2816      | -28.16        | 74            | -1078      | -10.78        | 138           | -537       | -5.37         | 202           | -206       | -2.06         |
| 11            | -2734      | -27.34        | 75            | -1066      | -10.66        | 139           | -530       | -5.3          | 203           | -201       | -2.01         |
| 12            | -2658      | -26.58        | 76            | -1055      | -10.55        | 140           | -524       | -5.24         | 204           | -197       | -1.97         |
| 13            | -2589      | -25.89        | 77            | -1043      | -10.43        | 141           | -518       | -5.18         | 205           | -193       | -1.93         |
| 14            | -2524      | -25.24        | 78            | -1032      | -10.32        | 142           | -512       | -5.12         | 206           | -189       | -1.89         |
| 15            | -2464      | -24.64        | 79            | -1021      | -10.21        | 143           | -506       | -5.06         | 207           | -185       | -1.85         |
| 16            | -2408      | -24.08        | 80            | -1010      | -10.1         | 144           | -500       | -5            | 208           | -180       | -1.8          |
| 17            | -2356      | -23.56        | 81            | -1000      | -10           | 145           | -494       | -4.94         | 209           | -176       | -1.76         |
| 18            | -2306      | -23.06        | 82            | -989       | -9.89         | 146           | -488       | -4.88         | 210           | -172       | -1.72         |
| 19            | -2259      | -22.59        | 83            | -978       | -9.78         | 147           | -482       | -4.82         | 211           | -168       | -1.68         |
| 20            | -2214      | -22.14        | 84            | -968       | -9.68         | 148           | -476       | -4.76         | 212           | -164       | -1.64         |
| 21            | -2172      | -21.72        | 85            | -958       | -9.58         | 149           | -470       | -4.7          | 213           | -160       | -1.6          |

| Gain in Index | Gain in dB | Real dB value | Gain in Index | Gain in dB | Real dB value | Gain in Index | Gain in dB | Real dB value | Gain in Index | Gain in dB | Real dB value |
|---------------|------------|---------------|---------------|------------|---------------|---------------|------------|---------------|---------------|------------|---------------|
| 22            | -2132      | -21.32        | 86            | -947       | -9.47         | 150           | -464       | -4.64         | 214           | -156       | -1.56         |
| 23            | -2093      | -20.93        | 87            | -937       | -9.37         | 151           | -459       | -4.59         | 215           | -152       | -1.52         |
| 24            | -2056      | -20.56        | 88            | -928       | -9.28         | 152           | -453       | -4.53         | 216           | -148       | -1.48         |
| 25            | -2021      | -20.21        | 89            | -918       | -9.18         | 153           | -447       | -4.47         | 217           | -144       | -1.44         |
| 26            | -1987      | -19.87        | 90            | -908       | -9.08         | 154           | -441       | -4.41         | 218           | -140       | -1.4          |
| 27            | -1954      | -19.54        | 91            | -898       | -8.98         | 155           | -436       | -4.36         | 219           | -136       | -1.36         |
| 28            | -1922      | -19.22        | 92            | -889       | -8.89         | 156           | -430       | -4.3          | 220           | -132       | -1.32         |
| 29            | -1892      | -18.92        | 93            | -880       | -8.8          | 157           | -425       | -4.25         | 221           | -128       | -1.28         |
| 30            | -1862      | -18.62        | 94            | -870       | -8.7          | 158           | -419       | -4.19         | 222           | -124       | -1.24         |
| 31            | -1834      | -18.34        | 95            | -861       | -8.61         | 159           | -414       | -4.14         | 223           | -120       | -1.2          |
| 32            | -1806      | -18.06        | 96            | -852       | -8.52         | 160           | -408       | -4.08         | 224           | -116       | -1.16         |
| 33            | -1779      | -17.79        | 97            | -843       | -8.43         | 161           | -403       | -4.03         | 225           | -112       | -1.12         |
| 34            | -1754      | -17.54        | 98            | -834       | -8.34         | 162           | -397       | -3.97         | 226           | -108       | -1.08         |
| 35            | -1728      | -17.28        | 99            | -825       | -8.25         | 163           | -392       | -3.92         | 227           | -104       | -1.04         |
| 36            | -1704      | -17.04        | 100           | -816       | -8.16         | 164           | -387       | -3.87         | 228           | -101       | -1.01         |
| 37            | -1680      | -16.8         | 101           | -808       | -8.08         | 165           | -382       | -3.82         | 229           | -97        | -0.97         |
| 38            | -1657      | -16.57        | 102           | -799       | -7.99         | 166           | -376       | -3.76         | 230           | -93        | -0.93         |
| 39            | -1634      | -16.34        | 103           | -791       | -7.91         | 167           | -371       | -3.71         | 231           | -89        | -0.89         |
| 40            | -1612      | -16.12        | 104           | -782       | -7.82         | 168           | -366       | -3.66         | 232           | -86        | -0.86         |
| 41            | -1591      | -15.91        | 105           | -774       | -7.74         | 169           | -361       | -3.61         | 233           | -82        | -0.82         |
| 42            | -1570      | -15.7         | 106           | -766       | -7.66         | 170           | -356       | -3.56         | 234           | -78        | -0.78         |
| 43            | -1550      | -15.5         | 107           | -758       | -7.58         | 171           | -350       | -3.5          | 235           | -74        | -0.74         |
| 44            | -1530      | -15.3         | 108           | -750       | -7.5          | 172           | -345       | -3.45         | 236           | -71        | -0.71         |
| 45            | -1510      | -15.1         | 109           | -742       | -7.42         | 173           | -340       | -3.4          | 237           | -67        | -0.67         |
| 46            | -1491      | -14.91        | 110           | -734       | -7.34         | 174           | -335       | -3.35         | 238           | -63        | -0.63         |
| 47            | -1472      | -14.72        | 111           | -726       | -7.26         | 175           | -330       | -3.3          | 239           | -60        | -0.6          |

| Gain in Index | Gain in dB | Real dB value | Gain in Index | Gain in dB | Real dB value | Gain in Index | Gain in dB | Real dB value | Gain in Index | Gain in dB | Real dB value |
|---------------|------------|---------------|---------------|------------|---------------|---------------|------------|---------------|---------------|------------|---------------|
| 48            | -1454      | -14.54        | 112           | -718       | -7.18         | 176           | -325       | -3.25         | 240           | -56        | -0.56         |
| 49            | -1436      | -14.36        | 113           | -710       | -7.1          | 177           | -321       | -3.21         | 241           | -52        | -0.52         |
| 50            | -1419      | -14.19        | 114           | -703       | -7.03         | 178           | -316       | -3.16         | 242           | -49        | -0.49         |
| 51            | -1401      | -14.01        | 115           | -695       | -6.95         | 179           | -311       | -3.11         | 243           | -45        | -0.45         |
| 52            | -1384      | -13.84        | 116           | -688       | -6.88         | 180           | -306       | -3.06         | 244           | -42        | -0.42         |
| 53            | -1368      | -13.68        | 117           | -680       | -6.8          | 181           | -301       | -3.01         | 245           | -38        | -0.38         |
| 54            | -1352      | -13.52        | 118           | -673       | -6.73         | 182           | -296       | -2.96         | 246           | -35        | -0.35         |
| 55            | -1336      | -13.36        | 119           | -665       | -6.65         | 183           | -292       | -2.92         | 247           | -31        | -0.31         |
| 56            | -1320      | -13.2         | 120           | -658       | -6.58         | 184           | -287       | -2.87         | 248           | -28        | -0.28         |
| 57            | -1305      | -13.05        | 121           | -651       | -6.51         | 185           | -282       | -2.82         | 249           | -24        | -0.24         |
| 58            | -1290      | -12.9         | 122           | -644       | -6.44         | 186           | -277       | -2.77         | 250           | -21        | -0.21         |
| 59            | -1275      | -12.75        | 123           | -637       | -6.37         | 187           | -273       | -2.73         | 251           | -17        | -0.17         |
| 60            | -1260      | -12.6         | 124           | -630       | -6.3          | 188           | -268       | -2.68         | 252           | -14        | -0.14         |
| 61            | -1246      | -12.46        | 125           | -623       | -6.23         | 189           | -264       | -2.64         | 253           | -10        | -0.1          |
| 62            | -1232      | -12.32        | 126           | -616       | -6.16         | 190           | -259       | -2.59         | 254           | -7         | -0.07         |
| 63            | -1218      | -12.18        | 127           | -609       | -6.09         | 191           | -254       | -2.54         | 255           | 0          | 0             |

---

*Note: For AirPrime AR6220 and WP6200 the lowest tone gain value (index 0) is -48.16 db instead of -80.00 dB.*

---

**For AirPrime SL808xT and Q2698 embedded modules (default values are grayed):**

| Gain in index | Gain in dB | Real dB Value | Gain in index | Gain in dB | Real dB Value | Gain in index | Gain in dB | Real dB Value | Gain in index | Gain in dB | Real dB Value |
|---------------|------------|---------------|---------------|------------|---------------|---------------|------------|---------------|---------------|------------|---------------|
| 0             | -32768     | -Inf          | 16            | -3260      | -32.6         | 32            | -1860      | -18.62        | 48            | -620       | -6.16         |
| 1             | -6020      | -60.21        | 17            | -3130      | -31.26        | 33            | -1750      | -17.54        | 49            | -510       | -5.12         |
| 2             | -5420      | -54.19        | 18            | -3010      | -30.1         | 34            | -1660      | -16.57        | 50            | -420       | -4.19         |
| 3             | -5070      | -50.66        | 19            | -2910      | -29.08        | 35            | -1570      | -15.7         | 51            | -340       | -3.35         |
| 4             | -4820      | -48.16        | 20            | -2820      | -28.16        | 36            | -1490      | -14.91        | 52            | -260       | -2.59         |
| 5             | -4620      | -46.23        | 21            | -2730      | -27.34        | 37            | -1420      | -14.19        | 53            | -190       | -1.89         |
| 6             | -4460      | -44.64        | 22            | -2660      | -26.58        | 38            | -1350      | -13.52        | 54            | -120       | -1.24         |
| 7             | -4330      | -43.3         | 23            | -2590      | -25.89        | 39            | -1290      | -12.9         | 55            | -60        | -0.63         |
| 8             | -4210      | -42.14        | 24            | -2520      | -25.24        | 40            | -1230      | -12.32        | 56            | -10        | -0.07         |
| 9             | -4020      | -40.21        | 25            | -2410      | -24.08        | 41            | -1130      | -11.26        | 57            | 100        | 0.96          |
| 10            | -3860      | -38.62        | 26            | -2310      | -23.06        | 42            | -1030      | -10.32        | 58            | 190        | 1.88          |
| 11            | -3730      | -37.28        | 27            | -2210      | -22.14        | 43            | -950       | -9.47         | 59            | 270        | 2.72          |
| 12            | -3610      | -36.12        | 28            | -2130      | -21.32        | 44            | -870       | -8.7          | 60            | 350        | 3.48          |
| 13            | -3510      | -35.1         | 29            | -2060      | -20.56        | 45            | -800       | -7.99         | 61            | 420        | 4.18          |
| 14            | -3420      | -34.19        | 30            | -1990      | -19.87        | 46            | -730       | -7.34         | 62            | 480        | 4.82          |
| 15            | -3340      | -33.36        | 31            | -1920      | -19.22        | 47            | -670       | -6.73         | 63            | 540        | 5.42          |

## >> 22. I/O Commands

### 22.1. Input/Output Management +WIOM



#### 22.1.1. Description

This Sierra Wireless proprietary command is used to manage GPIO.

It allocates the GPIOs and set their configuration (input, output, or tri-state) as well as their GPIO value (if set as an output). These actions can be done only if the GPIO is available (i.e. the pin is not already allocated by another application).

#### 22.1.2. Syntax

- For <Mode>=0: release the GPIO

*Action command*

```
AT+WIOM=<mode>[,<GpioId>]
```

```
OK
```

- For <Mode>=1: allocate and set the GPIO configuration

*Action command*

```
AT+WIOM=<mode>,<GpioId>,<GpioDir>[,<GpioVal>]
```

```
OK
```

- For <Mode>=2: list the current GPIO status for all GPIO (allocated or not)

*Action command*

```
AT+WIOM=<mode>
```

```
+WIOM: <GpioId>,<GpioStatus>
```

```
[+WIOM: <GpioId>,<GpioStatus>[...]]
```

```
OK
```

- For <Mode>=3: list the GPIO capabilities for all GPIO (allocated or not)

*Action command*

```
AT+WIOM=<mode>
```

```
+WIOM: <GpioId>,<GpioAccess>
```

```
[+WIOM: <GpioId>,<GpioAccess>[...]]
```

```
OK
```

- For <Mode>=4 and 5: save / delete the configuration in flash memory

*Action command*

**AT+WIOM=<mode>**

OK

*Read command*

**AT+WIOM?**

+WIOM: <GpioId>,<GpioDir>[,<GpioVal>]

[+WIOM: <GpioId>,<GpioDir>[,<GpioVal>] [...]]

OK

*Test command*

None

### 22.1.3. Parameters and Defined Values

|                         |                                                                                                                                      |
|-------------------------|--------------------------------------------------------------------------------------------------------------------------------------|
| <b>&lt;mode&gt;:</b>    | working mode                                                                                                                         |
| 0                       | release the GPIO                                                                                                                     |
| 1                       | allocate and set the GPIO configuration                                                                                              |
| 2                       | list the current GPIO status                                                                                                         |
| 3                       | list the GPIO capabilities                                                                                                           |
| 4                       | save the configuration in flash memory                                                                                               |
| 5                       | delete the saved configuration in flash memory                                                                                       |
| <b>&lt;GpioId&gt;:</b>  | GPIO name (as mentioned in the embedded module Product Technical Specification and Customer Design Guideline)<br>string type         |
| <b>&lt;GpioDir&gt;:</b> | I/O direction or configuration                                                                                                       |
| 0                       | input                                                                                                                                |
| 1                       | output                                                                                                                               |
| 2                       | tri-state (only available on GPO, please refer to the embedded module Product Technical Specification and Customer Design Guideline) |
| <b>&lt;GpioVal&gt;:</b> | output / tri-state state<br>optional for GPIO with input writable attribute or GPO forbidden for GPI                                 |



|                            |       |                                                                                                                                                 |
|----------------------------|-------|-------------------------------------------------------------------------------------------------------------------------------------------------|
|                            | 0     | <Gpiold> is reset/low (initial value if IO with input writable attribute)                                                                       |
|                            | 1     | <Gpiold> is set/high                                                                                                                            |
| <b>&lt;GpioAccess&gt;:</b> |       | I/O access attribute<br>bit field                                                                                                               |
|                            | bit 0 | output is readable                                                                                                                              |
|                            | bit 1 | input is writable                                                                                                                               |
|                            | bit 2 | output and tri-state (only available on GPO, please refer to the embedded module Product Technical Specification and Customer Design Guideline) |
| <b>&lt;GpioStatus&gt;:</b> |       | GPIO pin usage                                                                                                                                  |
|                            | 0     | input                                                                                                                                           |
|                            | 1     | output                                                                                                                                          |
|                            | 2     | tri-state                                                                                                                                       |
|                            | 3     | not available: already allocated by another application ( OS for example)                                                                       |
|                            | 4     | currently available: the pin is not used by a feature, or the GPIO has been previously released                                                 |

## 22.1.4. Parameter Storage

The <Gpiold>, <GpioDir> and <GpioVal> parameters are stored or deleted in flash memory using the action command.

## 22.1.5. Examples

| Command                 | Responses                                                                                                                                                                                                                                |
|-------------------------|------------------------------------------------------------------------------------------------------------------------------------------------------------------------------------------------------------------------------------------|
| AT+WIOM=2               | +WIOM: "GPIO1", 4<br>+WIOM: "GPIO2", 4<br>+WIOM: "GPIO3", 4<br>+WIOM: "GPIO4", 3<br>+WIOM: "GPI1", 4<br>+WIOM: "GPO1", 4<br>OK<br><i>Note: GPIO1, GPIO2, GPIO3, GPI1 and GPO1 are available, GPIO4 is used.</i>                          |
| AT+WIOM=1, "GPIO1", 0   | OK<br><i>Note: Allocate the GPIO1 as input</i>                                                                                                                                                                                           |
| AT+WIOM=1, "GPIO2", 1   | OK<br><i>Note: Allocate and configure the GPIO2 as output (output initial value: 0)</i>                                                                                                                                                  |
| AT+WIOM=1, "GPI1", 0    | OK<br><i>Note: Allocate the GPI1</i>                                                                                                                                                                                                     |
| AT+WIOM=1, "GPO1", 1, 0 | OK<br><i>Note: Allocate and configure the GPO1 value to low</i>                                                                                                                                                                          |
| AT+WIOM?                | +WIOM: "GPIO1", 0<br>+WIOM: "GPIO2", 1, 0<br>+WIOM: "GPI1", 0<br>+WIOM: "GPO1", 1, 0<br>OK                                                                                                                                               |
| AT+WIOM=2               | +WIOM: "GPIO1", 0<br>+WIOM: "GPIO2", 1<br>+WIOM: "GPIO3", 4<br>+WIOM: "GPIO4", 3<br>+WIOM: "GPI1", 0<br>+WIOM: "GPO1", 1<br>OK<br><i>Note: GPIO1, GPIO2, GPI1 and GPO1 are allocated by the user, GPIO3 is available, GPIO4 is used.</i> |
| AT+WIOM=0, "GPIO1"      | OK                                                                                                                                                                                                                                       |

| Command   | Responses                                                                                                                                                                                                                                    |
|-----------|----------------------------------------------------------------------------------------------------------------------------------------------------------------------------------------------------------------------------------------------|
| AT+WIOM=2 | +WIOM: "GPIO1", 4<br>+WIOM: "GPIO2", 1<br>+WIOM: "GPIO3", 4<br>+WIOM: "GPIO4", 3<br>+WIOM: "GPI1", 0<br>+WIOM: "GPO1", 1<br>OK<br><i>Note: GPIO2, GPI1 and GPO1 are allocated by the user, GPIO1 and GPIO3 are available, GPIO4 is used.</i> |
| AT+WIOM=3 | +WIOM: "GPIO1", 3<br>+WIOM: "GPIO2", 3<br>+WIOM: "GPIO3", 0<br>+WIOM: "GPIO4", 0<br>+WIOM: "GPI1", 0<br>+WIOM: "GPO1", 4<br>OK                                                                                                               |
| AT+WIOM=4 | OK<br><i>Note: Save the configuration</i>                                                                                                                                                                                                    |

## 22.1.6. Notes

A GPIO can be used either as input or output, if it is not used by a hardware feature.

Read command AT+WIOM? lists the direction and the value for allocated GPIO only.

When a GPIO is used by a feature, it is not available anymore: It doesn't appear in the capabilities list and its status cannot be retrieved (using AT+WIOM=2). When writable or readable operations are attempted on these GPIOs, a '+CME ERROR: 501' error will be returned.

After a pin is set in GPIO mode (or a GPIO is released), it is not possible to use it anymore in other feature than GPIO mode until the next boot occurs: if user tries to activate a multiplexed feature, an error message "+CME ERROR: 3" is returned. Similarly, to change a pin association to a feature into a GPIO pin (please refer to the embedded module Product Technical Specification and Customer Design Guideline for the list of the features), a reset is needed.

If the parameter <GpioId> is omitted for <mode>=0, all allocated GPIO are deallocated.

In all cases, the <GpioVal> parameter is saved in a register, which is used when the IO is configured as output. This value can be set at any moment (by +WIOM or +WIOV commands). This mechanism prevents from the transition states. The register initial value is zero.

Likewise, when a IO is configured as output with an output value, the output value is set before modification of the direction to avoid transition states.

The multiplexing pins list and the available GPIO list are given in the embedded module Product Technical Specification and Customer Design Guideline.

## 22.2. Read GPIO value +WIOR



### 22.2.1. Description

This Sierra Wireless proprietary command reads the requested GPIO state.

This Sierra Wireless proprietary command is allowed only on the inputs and the outputs with readable attributes, which were allocated by the user.

### 22.2.2. Syntax

*Action command*

```
AT+WIOR=<GpioId>
```

```
+WIOR: <GpioVal>
```

```
OK
```

*Read command*

None

*Test command*

None

### 22.2.3. Parameters and Defined Values

|                         |                                                                                                                              |
|-------------------------|------------------------------------------------------------------------------------------------------------------------------|
| <b>&lt;GpioId&gt;:</b>  | GPIO name (as mentioned in the embedded module Product Technical Specification and Customer Design Guideline)<br>string type |
| <b>&lt;GpioVal&gt;:</b> | GPIO state                                                                                                                   |
| 0                       | <GpioId> is reset/low                                                                                                        |
| 1                       | <GpioId> is set/high                                                                                                         |

### 22.2.4. Parameter Storage

None.

## 22.2.5. Examples

| Command                                                              | Responses                                                  |
|----------------------------------------------------------------------|------------------------------------------------------------|
| <code>AT+WIOR="GPIO05"</code><br><br><i>Note: Reads GPIO05 value</i> | +WIOR: 0<br><br>OK<br><br><i>Note: GPIO05 is reset/low</i> |

## 22.2.6. Notes

The GPIO allocation and the GPIO configuration are done by the +WIOM command.

The string <Gpiold> is to be indicated as mentioned in the embedded module Product Technical Specification and Customer Design Guideline. It depends on the pins capabilities of the embedded module.

Please refer to the embedded module Product Technical Specification and Customer Design Guideline for information about the existing GPIO.

## 22.3. Write GPIO value +WIOW



### 22.3.1. Description

This Sierra Wireless proprietary command sets the requested GPIO state.

This command is allowed only on the outputs and the inputs with writable attribute which were allocated by the user.

### 22.3.2. Syntax

*Action command*

```
AT+WIOW=<GpioId>,<GpioVal>
```

OK

*Read command*

None

*Test command*

None

### 22.3.3. Parameters and Defined Values

|                        |                                                                                                                              |
|------------------------|------------------------------------------------------------------------------------------------------------------------------|
| <b>&lt;GpioId&gt;:</b> | GPIO name (as mentioned in the embedded module Product Technical Specification and Customer Design Guideline)<br>string type |
|------------------------|------------------------------------------------------------------------------------------------------------------------------|

|                         |                       |
|-------------------------|-----------------------|
| <b>&lt;GpioVal&gt;:</b> | GPIO state            |
| 0                       | <GpioId> is reset/low |
| 1                       | <GpioId> is set/high  |

### 22.3.4. Parameter storage

The <state> parameter is stored in EEPROM without using AT&W.

### 22.3.5. Examples

| Command                                                            | Responses                                |
|--------------------------------------------------------------------|------------------------------------------|
| <code>AT+WIOW="GPIO02",0</code><br><i>Note: Sets GPIO02 to low</i> | OK<br><i>Note: GPIO state is written</i> |

### 22.3.6. Notes

The GPIO allocation and the I/O configuration are done by the +WIOW command.

The string <Gpioid> is to be indicated as mentioned in the embedded module Product Technical Specification and Customer Design Guideline. It depends on the pins capabilities of the embedded module.

Please refer to the embedded module Product Technical Specification and Customer Design Guideline for information about the existing GPIO.

## 22.4. Sierra Wireless Interrupt Pin Configuration +WIPC



### 22.4.1. Description

This Sierra Wireless proprietary command is used to configure interrupt pins on the embedded module.

Please refer to the embedded module Product Technical Specification and Customer Design Guideline for information on the GPIO multiplexed with external interrupts.

This command can be used only if the external interrupts are not currently in use by another application.

### 22.4.2. Syntax

- For <Mode>=0: release an external interrupt

*Action command*

```
AT+WIPC=<mode>[,<interruptId>]
```

OK

- For <Mode>=1: allocate and set an external interrupt

*Action command*

```
AT+WIPC=<mode>,<interruptId>,<polarity>,<filter>[,<debounceTiming>]
```

OK

- For <Mode>=2 and 3: save / delete the configuration in flash memory

*Action command*

```
AT+WIPC=<mode>
```

OK

*Read command*

```
AT+WIPC?
```

```
+WIPC: <interruptId>,<polarity>,<filter>[,<debounceTiming>]
```

```
[+WIPC: <interruptId>,<polarity>,<filter>[,<debounceTiming>] [...]]
```

OK



*Test command*

**AT+WIPC=?**

+WIPC: (list of supported <mode>s), list of supported <interruptId>s, list of supported <polarity>s, (list of supported <filter>s), (list of supported <debounceTiming>s)

OK

### 22.4.3. Parameters and Defined Values

|                                |                                                                                                                             |
|--------------------------------|-----------------------------------------------------------------------------------------------------------------------------|
| <b>&lt;InterruptId&gt;:</b>    | external interrupt name (as mentioned in the embedded module Product Technical Specification and Customer Design Guideline) |
|                                | string type                                                                                                                 |
| <b>&lt;mode&gt;:</b>           | requested configuration                                                                                                     |
| 0                              | release the external interrupt                                                                                              |
| 1                              | allocate and set the external interrupt                                                                                     |
| 2                              | save the configuration in flash memory                                                                                      |
| 3                              | delete the saved configuration in flash memory                                                                              |
| <b>&lt;polarity&gt;:</b>       | external interrupt polarity selection                                                                                       |
| 0                              | falling                                                                                                                     |
| 1                              | rising                                                                                                                      |
| 2                              | both edges (with or without debounce)                                                                                       |
| <b>&lt;filter&gt;:</b>         | processing filter                                                                                                           |
| 0                              | bypass mode (no stretching and no debounce)                                                                                 |
| 1                              | stretching (not allowed for both edges)                                                                                     |
| 2                              | Debounce                                                                                                                    |
|                                | <i>Note: Debounce is not supported for AirPrime SL808xT, SL3010T and Q2698 embedded modules</i>                             |
| <b>&lt;debounceTiming&gt;:</b> | number of cycles for debounce duration (in units of 7.8 ms)                                                                 |
|                                | mandatory if <filter>=2                                                                                                     |
|                                | range: 1-7                                                                                                                  |

### 22.4.4. Parameter Storage

The <polarity>, <filter> and <debounceTiming> parameters are stored or deleted in the flash memory using the action command.

## 22.4.5. Examples

Examples for AirPrime WMP100

| Command                           | Responses                                                                                                    |
|-----------------------------------|--------------------------------------------------------------------------------------------------------------|
| <b>AT+WIPC=?</b>                  | +WIPC: (0-3), ("INT0", "INT1", "INT2"), (0-2), (0-2), (1-7)<br>OK                                            |
| <b>AT+WIPC?</b>                   | OK<br><i>Note: No external interrupts have been allocated.</i>                                               |
| <b>AT+WIPC=1, "INT0", 0, 0</b>    | OK<br><i>Note: INT0 is configured in bypass mode.</i>                                                        |
| <b>AT+WIPC=1, "INT2", 1, 2, 1</b> | OK<br><i>Note: INT2 is configured in rising edge sensitivity with debounce.</i>                              |
| <b>AT+WIPC?</b>                   | +WIPC: "INT0", 0, 0<br>+WIPC: "INT2", 1, 2, 1<br>OK<br><i>Note: Only INT0 and INT2 have been allocated .</i> |
| <b>AT+WIND=2048</b>               | OK<br><i>Note: Activate the +WIND indications for interruption</i>                                           |
| <i>Note : Interrupt on INT0</i>   | +WIND: 12, "INT0"                                                                                            |
| <i>Note : Interrupt on INT2</i>   | +WIND: 12, "INT2"                                                                                            |
| <b>AT+WIPC=0, "INT2"</b>          | OK<br><i>Note: Release INT2</i>                                                                              |
| <b>AT+WIPC?</b>                   | +WIPC: "INT0", 0, 0<br>OK                                                                                    |

Examples for AirPrime AR6220 and WP6200:

| Command                           | Responses                                                                                                          |
|-----------------------------------|--------------------------------------------------------------------------------------------------------------------|
| AT+WIPC=?                         | +WIPC: (0-3), ("GPIO0"- "GPIO99"), (0-2), (0-2), (1-7)<br>OK                                                       |
| AT+WIPC?                          | OK<br><i>Note: no external interrupts have been allocated</i>                                                      |
| AT+WIPC=1, "GPIO99", 0, 0         | OK<br><i>Note: GPIO99 is configured in bypass mode</i>                                                             |
| AT+WIPC=1, "GPIO32", 1, 2, 1      | OK<br><i>Note: GPIO32 is configured in rising edge sensitivity with debounce</i>                                   |
| AT+WIPC?                          | +WIPC: "GPIO32", 1, 2, 1<br>+WIPC: "GPIO99", 0, 0<br>OK<br><i>Note: only GPIO32 and GPIO99 have been allocated</i> |
| AT+WIND=2048                      | OK<br><i>Note: Activate the +WIND indications for interruption</i>                                                 |
| <i>Note : Interrupt on GPIO32</i> | +WIND: 12, "GPIO32"                                                                                                |
| <i>Note : Interrupt on GPIO99</i> | +WIND: 12, "GPIO99"                                                                                                |
| AT+WIPC=0, "GPIO32"               | OK<br><i>Note: Release GPIO32</i>                                                                                  |
| AT+WIPC?                          | +WIPC: "GPIO99", 0, 0<br>OK                                                                                        |

## 22.4.6. Notes

The <debounceTiming> parameter is used only when <filter>=2.

The action command is only usable on external interrupts when it is not currently used by another device. The read command lists only the interrupts used by the user.

If <interruptId> is not set with <mode>=0 (deallocate mode), all allocated external interrupts will be released.

After a pin is set in external interrupt mode (or an external interrupt is released), it is not possible to use it any more in other feature than external interrupt mode, until the next boot occurs. Similarly, to change a pin association to a feature into an external interrupt pin (refer to embedded module Product Technical Specification and Customer Design Guideline for the list of the features), a reset is needed.

## >> 23. Battery Commands

### 23.1. Analog Digital Converters Measurements +ADC



#### 23.1.1. Description

This Sierra Wireless proprietary command retrieves the measures of various ADCs present on embedded module.

The measurement can be expressed in mV, corresponding to analog input signal measurement. It can also be expressed in digital value corresponding to ADC result register value.

#### 23.1.2. Syntax

##### *Action command*

```
AT+ADC=<mode>,<ADCIdx>
```

```
+ADC: <mode>,<ADCValue>
```

```
OK
```

##### *Read command*

```
AT+ADC?
```

```
+ADC: <ADC0Value>[,<ADC1Value>[,<ADC2Value>] [...]]
```

```
OK
```

##### *Test command*

```
AT+ADC=?
```

```
+ADC: <ADCIdx>,<AnalogMinVolt>,<AnalogMaxVolt>,<Resolution>
```

```
[+ADC: <ADCIdx>,<AnalogMinVolt>,<AnalogMaxVolt>,<Resolution> [...]]
```

```
OK
```

---

*Note:* For the read command, ADC values are expressed in analog value.

---

### 23.1.3. Parameters and Defined Values

|                               |                                                                                                                                                                                                                |
|-------------------------------|----------------------------------------------------------------------------------------------------------------------------------------------------------------------------------------------------------------|
| <b>&lt;AnalogMinVolt&gt;:</b> | Minimal value measurable by ADC (in mV), depends on embedded module. Please refer to the embedded module Product Technical Specification.                                                                      |
| <b>&lt;AnalogMaxVolt&gt;:</b> | Maximal value measurable by ADC (in mV), depends on embedded module. Please refer to the embedded module Product Technical Specification.                                                                      |
| <b>&lt;Resolution&gt;:</b>    | Digital register number of bit, depends on embedded module. Please refer to the Product Technical Specification.                                                                                               |
| <b>&lt;mode&gt;:</b>          | mode                                                                                                                                                                                                           |
| 0                             | ADC measure expressed in analog value                                                                                                                                                                          |
| 1                             | ADC measure expressed in digital value                                                                                                                                                                         |
| <b>&lt;ADCIdx&gt;:</b>        | ADC Index                                                                                                                                                                                                      |
| 0                             | The first index is reserved to measure the battery voltage.<br><br>Other index can be available. Please refer to Product Technical Specification to know how many other ADCs are available on embedded module. |
| <b>&lt;ADCValue&gt;</b>       | value of ADC measured                                                                                                                                                                                          |
| 0-2000 (mV)                   | <ADCValue> is expressed in analog value (except for battery voltage, a resistor bridge is used)                                                                                                                |
| 0-4095                        | <ADCValue> is expressed in digital value (the register value coded on 12 bits)                                                                                                                                 |

### 23.1.4. Parameter Storage

No parameter is stored in EEPROM.

## 23.1.5. Examples

| Command                                                                 | Responses                                                                                                                                       |
|-------------------------------------------------------------------------|-------------------------------------------------------------------------------------------------------------------------------------------------|
| <b>AT+ADC=?</b><br><br><i>Note: Ask for the list of possible values</i> | +ADC: 0,3200,4800,12<br>+ADC: 1,0,2000,12<br>+ADC: 2,0,2000,12<br>+ADC: 3,0,2000,12<br>OK<br><i>Note: Response on Q2687 and AirPrime WMP100</i> |
| <b>AT+ADC?</b>                                                          | +ADC: 3450,1800,1000,1800<br>OK<br><i>Note: Response on Q2687 and AirPrime WMP100</i>                                                           |
| <b>AT+ADC=0,0</b>                                                       | +ADC: 0,3450<br>OK<br><i>Note: ADC0 asked in analog mode</i>                                                                                    |
| <b>AT+ADC=1,0</b>                                                       | +ADC: 1,36<br>OK<br><i>Note: ADC0 asked in digital mode</i>                                                                                     |
| <b>AT+ADC=1,2</b>                                                       | +ADC: 1,77<br>OK<br><i>Note: ADC2 asked in digital mode</i>                                                                                     |

## 23.2. Sierra Wireless Battery Charge Management +WBCM



### 23.2.1. Description

This Sierra Wireless proprietary command is used to manage the battery charging operations (start and stop the charge, enable or disable unsolicited +WBCI battery charge Indications) and to set the battery charge parameters.

*Note:* Unsolicited responses for battery charge are only returned through one port (except +WBCI: 0 and +WBCI: 1). If these responses are already activated on a port and if the activation/deactivation is made on another port, the command will return "+CME ERROR: 552" specific error.

### 23.2.2. Syntax

- For <Mode>=0 or 1:

*Action command*

```
AT+WBCM=<Mode> [ , <ChargeInd> ]
```

OK

- For <Mode>=2:

*Action command*

```
AT+WBCM=<Mode>
```

```
+WBCI: <Status1> , <BattLevel>
```

OK

- For <Mode>=3

*Action command*

```
AT+WBCM=<Mode> , [ <ChargeInd> ] , [ <ChargingVoltage> ] ,  
[ <DischargeCutOffVoltage> ] , [ <OverChargeVoltage> ] ,  
[ <BatteryTempMaxVolt> ] , [ <BatteryTempMinVolt> ] ,  
[ <AutomaticChargeResume> ] , [ <WBCITimer> ] ,  
[ <BattLevelFilter> ]
```

OK

- For <Mode>=4:

*Action command*

**AT+WBCM=<Mode>[ ,<ChargeMode>]**

[+WBCM: <Mode>,<ChargeMode>]

OK

- For <Mode>=5:

*Action command*

**AT+WBCM=5**

+WBCM: <Mode>,<ChargerState>

OK

- For <Mode>=6:

*Action command*

**AT+WBCM=<Mode>[ ,<BatteryChargeManagementEnable>]**

[+WBCM: <Mode>,<BatteryChargeManagementEnable>]

OK

*Read command*

**AT+WBCM?**

+WBCM: <Mode>,<ChargeInd>,<ChargingVoltage>,  
<DischargeCutOffVoltage>,<OverChargeVoltage>,  
<BatteryTempMaxVolt>,<BatteryTempMinVolt>,  
<AutomaticChargeResume>,<WBCITimer>,<BattLevelFilter>

OK

*Test command*

None

*Unsolicited response*

+WBCI: <Status2>[,<BattLevel>]



### 23.2.3. Parameters and Defined Values

|                                        |   |                                                                                                                                                                                                                                                                                                                                                       |
|----------------------------------------|---|-------------------------------------------------------------------------------------------------------------------------------------------------------------------------------------------------------------------------------------------------------------------------------------------------------------------------------------------------------|
| <b>&lt;mode&gt;:</b>                   |   |                                                                                                                                                                                                                                                                                                                                                       |
|                                        | 0 | stop the battery charging (default).                                                                                                                                                                                                                                                                                                                  |
|                                        | 1 | start the battery charging                                                                                                                                                                                                                                                                                                                            |
|                                        | 2 | get the current battery voltage                                                                                                                                                                                                                                                                                                                       |
|                                        | 3 | set the battery charge parameters                                                                                                                                                                                                                                                                                                                     |
|                                        | 4 | choose the type of charging                                                                                                                                                                                                                                                                                                                           |
|                                        | 5 | get the charger state                                                                                                                                                                                                                                                                                                                                 |
|                                        | 6 | enable the battery charge management                                                                                                                                                                                                                                                                                                                  |
| <b>&lt;ChargeInd&gt;:</b>              |   | battery charge unsolicited indication mode                                                                                                                                                                                                                                                                                                            |
|                                        | 0 | disable the battery charge unsolicited indications (default value)                                                                                                                                                                                                                                                                                    |
|                                        | 1 | enable the battery charge unsolicited indications.                                                                                                                                                                                                                                                                                                    |
| <b>&lt;ChargeMode&gt;:</b>             |   | charging algorithm                                                                                                                                                                                                                                                                                                                                    |
|                                        | 0 | NI-CD, NI-MH                                                                                                                                                                                                                                                                                                                                          |
|                                        | 1 | Li-ion                                                                                                                                                                                                                                                                                                                                                |
| <b>&lt;Charging Voltage&gt;:</b>       |   | maximum level for the battery voltage in mV<br>When reached, the battery is considered as charged<br>range: 3800-4300 (default value: 4200)                                                                                                                                                                                                           |
| <b>&lt;DischargeCutOffVoltage&gt;:</b> |   | minimum level for the battery voltage in mV<br>When reached, the battery is considered as discharged:<br><ul style="list-style-type: none"> <li>- If a charger is plugged, the charge is automatically launched</li> <li>- else the GSM software stack is stopped (with the +CPOF command behavior)</li> </ul> range: 3200-3800 (default value: 3200) |
| <b>&lt;OverChargeVoltage&gt;:</b>      |   | value of the over voltage protection<br>range: 4200-5000 (default value: 4700)<br>Unused if a PMU manages the battery charge on the embedded module.                                                                                                                                                                                                  |
| <b>&lt;AutomaticChargeResume&gt;:</b>  |   | The charge is automatically resumed to keep the maximum level for the battery voltage.                                                                                                                                                                                                                                                                |

|                                    |   |                                                                                                                                                                                                                                                                                |
|------------------------------------|---|--------------------------------------------------------------------------------------------------------------------------------------------------------------------------------------------------------------------------------------------------------------------------------|
|                                    | 0 | The automatic charge is not resumed (default value).                                                                                                                                                                                                                           |
|                                    | 1 | The automatic charge resume is performed, the maximum voltage for the battery is kept.                                                                                                                                                                                         |
| <b>&lt;WBCITimer &gt;:</b>         |   | time in ms between +WBCI unsolicited responses in or out of charge (for <ChargeInd>=1)<br>range: 1000-10000 (default value: 2000)                                                                                                                                              |
| <b>&lt;BattLevelFilter&gt;:</b>    |   | battery changed level in mV<br>The +WBCI: 2 or +WBCI: 3 indications only occur when the delta between two battery voltage measurements has reached this value.<br>range: 100-500 (default value: 0)<br>For value 0, +WBCI indications are not filtered with <BattLevelFilter>. |
| <b>&lt;BatteryTempMaxVolt&gt;:</b> |   | highest value for battery temperature sensor voltage in mV (lowest temperature with a NTC) with an accuracy of +/-20mv, depending on the ADC tolerance<br>default value: 1438 (3°C)<br>unused if <ChargeMode>=0                                                                |
| <b>&lt;BatteryTempMinVolt&gt;:</b> |   | lowest value for battery temperature sensor voltage in mV (highest temperature with a NTC) with an accuracy of +/-20mv, depending on the ADC tolerance<br>default value: 601 (42°C)<br>unused if <ChargeMode>=0                                                                |
| <b>&lt;Status1&gt;:</b>            |   |                                                                                                                                                                                                                                                                                |
|                                    | 2 | battery currently in charge, the <BattLevel> parameter is also present                                                                                                                                                                                                         |
|                                    | 3 | battery currently out of charge, the <BattLevel> parameter is also present                                                                                                                                                                                                     |

|                                               |                                                                                                                                                                                                                                                                       |
|-----------------------------------------------|-----------------------------------------------------------------------------------------------------------------------------------------------------------------------------------------------------------------------------------------------------------------------|
| <b>&lt;Status2&gt;:</b>                       |                                                                                                                                                                                                                                                                       |
| 0                                             | <p>minimum battery level reached. The battery is considered as discharged</p> <p>The product is turned off (as with the +CPOF command) if a charger is not plugged. Else the charge automatically begins.</p> <p>not dependent on the &lt;ChargeInd&gt; parameter</p> |
| 1                                             | <p>maximum battery level reached (the battery is considered as charged) or charging discontinuation</p> <p>The battery charging is stopped.</p> <p>not dependent on the parameter &lt;ChargeInd&gt;</p>                                                               |
| 2                                             | <p>battery currently in charge, the &lt;BattLevel&gt; parameter is also present</p>                                                                                                                                                                                   |
| 3                                             | <p>battery currently out of charge, the &lt;BattLevel&gt; parameter is also present</p>                                                                                                                                                                               |
| 4                                             | <p>charger plugged,</p>                                                                                                                                                                                                                                               |
| 5                                             | <p>charger unplugged,</p>                                                                                                                                                                                                                                             |
| 6                                             | <p>unusual voltage or temperature</p>                                                                                                                                                                                                                                 |
| 7                                             | <p>start of the automatic charge resume</p>                                                                                                                                                                                                                           |
| <b>&lt;BattLevel&gt;:</b>                     | <p>current battery voltage in mV during or out of charging range: 2800-4300</p>                                                                                                                                                                                       |
| <b>&lt;ChargerState&gt;:</b>                  |                                                                                                                                                                                                                                                                       |
|                                               | <p>current charger state</p>                                                                                                                                                                                                                                          |
| 0                                             | <p>unplugged</p>                                                                                                                                                                                                                                                      |
| 1                                             | <p>plugged</p>                                                                                                                                                                                                                                                        |
| <b>&lt;BatteryChargeManagementEnable&gt;:</b> |                                                                                                                                                                                                                                                                       |
|                                               | <p>state of the battery charge management</p> <p>If disabled, &lt;mode&gt;=1 to 5 are not allowed. The temperature ADC can be used for another usage.</p>                                                                                                             |
| 0                                             | <p>disabled</p>                                                                                                                                                                                                                                                       |
| 1                                             | <p>enabled</p>                                                                                                                                                                                                                                                        |

## 23.2.4. Parameter Storage

All parameters except <Status1>, <Status2> and <BattLevel> are stored in EEPROM without using the AT&W.command. The default value can be restored using AT&F.

## 23.2.5. Examples

| Command                                                                                            | Responses                                                                                                                                     |
|----------------------------------------------------------------------------------------------------|-----------------------------------------------------------------------------------------------------------------------------------------------|
| <b>AT+WBCM?</b>                                                                                    | +WBCM:<br>0,0,4200,3200,4700,1438,601,1,2000,0<br>OK<br><i>Note: Current values</i>                                                           |
| <b>AT+WBCM=0</b><br><i>Note: Stop the battery charging</i>                                         | OK                                                                                                                                            |
| <b>AT+WBCM=4,0</b><br><i>Note: Configure the battery charging in Ni-Cd/Ni-MH mode</i>              | OK                                                                                                                                            |
| <b>AT+WBCM=4</b><br><i>Note: Get the charging mode</i>                                             | +WBCM: 4,0<br>OK<br><i>Note: The charging mode is Ni-Cd/Ni-MH</i>                                                                             |
| <b>AT+WBCM=5</b>                                                                                   | +WBCM: 5,1<br>OK<br><i>Note: the charger is plugged</i>                                                                                       |
| <b>AT+WBCM=1,1</b><br><i>Note: Start the battery charging with charge indications</i>              | OK                                                                                                                                            |
| <b>AT+WBCM=1,1</b><br><i>Note: Start the battery charging with charge indications</i>              | +CME ERROR : 563<br><br><i>Note : Charge is not started due to an error, but unsolicited event is activated</i>                               |
|                                                                                                    | +WBCI: 2,4060<br><br><i>Note: Unsolicited charge indication: the current battery voltage is 4.06 V.</i>                                       |
| <b>AT+WBCM=1,0</b><br><i>Note: Start the battery charging without charge indications</i>           | OK                                                                                                                                            |
| <b>AT+WBCM=2</b><br><i>Note: Get the battery voltage during the charging</i>                       | +WBCI: 2,4110<br>OK<br><i>Note: The current battery voltage is 4.11 V</i>                                                                     |
|                                                                                                    | +WBCI: 1<br><br><i>Note: The battery voltage has reached the max level. The battery is considered as charged and the charging is stopped.</i> |
| <b>AT+WBCM=0,1</b><br><i>Note: Enable the battery charge unsolicited indications out of charge</i> | OK                                                                                                                                            |

Sierra Wireless Battery Charge Management +WBCM

| Command                                                                                                                                                                                    | Responses                                                                                                                                                                                                                                            |
|--------------------------------------------------------------------------------------------------------------------------------------------------------------------------------------------|------------------------------------------------------------------------------------------------------------------------------------------------------------------------------------------------------------------------------------------------------|
|                                                                                                                                                                                            | +WBCI: 3,4195<br><i>Note: The current battery voltage is 4.195 V.</i>                                                                                                                                                                                |
| <b>AT+WBCM=3,0,4200,3500,4650...1,5000,200</b><br><i>Note: Configure the battery charging parameters (depends on battery specification); in this case the charging mode is Ni-Cd/Ni-MH</i> | OK                                                                                                                                                                                                                                                   |
|                                                                                                                                                                                            | +WBCI: 0<br><i>Note: The battery voltage has reached the minimum level. The battery is considered as discharged. If a charger is not plugged, the product is turned off, with the +CPOF command behaviour. Else the charge automatically begins.</i> |
| <b>AT+WBCM=4,1</b><br><i>Note: Configure the battery charging in Li-Ion mode</i>                                                                                                           | OK                                                                                                                                                                                                                                                   |
| <b>AT+WBCM=3,0,4200,3300,4600,1440,600,1,10000,100</b><br><i>Note: Configure the battery charging parameters in Li-Ion</i>                                                                 | OK                                                                                                                                                                                                                                                   |
|                                                                                                                                                                                            | +WBCI: 7<br><i>Note: The battery voltage has reached the maintain level. If a charger is not plugged, the embedded module continues with a normal behaviour. Else the charge automatically begins.</i>                                               |
| <b>AT+WBCM=6,0</b>                                                                                                                                                                         | OK<br><i>Note: Disabled the battery charge management</i>                                                                                                                                                                                            |
| <b>AT+WBCM=1</b>                                                                                                                                                                           | +CME ERROR: 3<br><i>Note: Battery charge management is disabled</i>                                                                                                                                                                                  |
| <b>AT+WBCM=6</b>                                                                                                                                                                           | +WBCM: 6,0<br>OK                                                                                                                                                                                                                                     |

## 23.2.6. Notes

Please check charger and battery recommendations.

If the battery charging is started without charger plugged or with an abnormal temperature or voltage, the charging does not start. +WBCI: 3 unsolicited indications are sent. After solving the anomaly, it is necessary to start again the battery charging.

<BatteryTempMaxVolt> indicative temperature values:

| °C | mV   | °C | mV   | °C | mV   |
|----|------|----|------|----|------|
| 0  | 1495 | 5  | 1399 | 10 | 1293 |
| 1  | 1477 | 6  | 1378 | 11 | 1271 |
| 2  | 1458 | 7  | 1357 | 12 | 1249 |
| 3  | 1438 | 8  | 1336 | 13 | 1226 |
| 4  | 1419 | 9  | 1315 | 14 | 1203 |

These values are obtained with the NTC equal to the Pull-up (Sierra Wireless recommends 100K) and the NTC is polarized with the VCC\_1V8 signal. Please refer to the battery application note and the Customer Design Guidelines for more information

<BatteryTempMinVolt> indicative temperature values:

| °C | mV  | °C | mV  | °C | mV  |
|----|-----|----|-----|----|-----|
| 31 | 817 | 36 | 714 | 41 | 619 |
| 32 | 796 | 37 | 694 | 42 | 601 |
| 33 | 775 | 38 | 675 | 43 | 584 |
| 34 | 754 | 39 | 656 | 44 | 567 |
| 35 | 734 | 40 | 637 | 45 | 550 |

These values are obtained with the NTC equal to the Pull-up (Sierra Wireless recommends 100K) and the NTC is polarized with the VCC\_1V8 signal. Please refer to the battery application note and the Customer Design Guidelines for more information.

For <mode>=4 (type of charging), if the <ChargeMode> parameter is omitted, the command will get the charging mode (please refer to section [Example](#)).

## 23.3. Sierra Wireless Autodiag +WDIAG



### 23.3.1. Description

This Sierra Wireless proprietary command enables to control the embedded module self diagnostic.

### 23.3.2. Syntax

#### *Action command*

```
AT+WDIAG=<type>,<mode>[,<period>,<trig1>,<trig2>,<trig3>,<trig3_freq>]
```

OK

#### *Read command*

```
AT+WDIAG?
```

```
+WDIAG: <type>,<mode>,<period>,<trig1>,<trig2>,<trig3>,<trig3_freq>
```

OK

#### *Test command*

```
AT+WDIAG=?
```

OK

#### *Unsolicited response*

```
+WDIAGI: <type>,<indication>[,<value>]
```

### 23.3.3. Parameters and Defined Values

|                             |                                                                                                                                                                                                             |
|-----------------------------|-------------------------------------------------------------------------------------------------------------------------------------------------------------------------------------------------------------|
| <b>&lt;type &gt;:</b>       | ADC type                                                                                                                                                                                                    |
| 0                           | The first index is reserved to measure the battery voltage.<br>Other index can be available. Please refer to Product Technical Specification for more information on available ADCs on the embedded module. |
| 1                           | ADC auxiliary autodiag (AUX-ADC0)                                                                                                                                                                           |
| 2                           | ADC auxiliary autodiag (AUX-ADC1)                                                                                                                                                                           |
| <b>&lt;mode&gt;:</b>        | selfdiagnostic activation mode                                                                                                                                                                              |
| 0                           | stop (default value)                                                                                                                                                                                        |
| 1                           | start                                                                                                                                                                                                       |
| <b>&lt;period&gt;:</b>      | period of ADC reading in seconds                                                                                                                                                                            |
| 0                           | best effort, approximately 50 readings per second (default value)                                                                                                                                           |
| 1 - 3600                    | fixed period in seconds                                                                                                                                                                                     |
| <b>&lt;trig1&gt;:</b>       | minimum threshold<br>When this threshold is reached, unsolicited response +WDIAGI is sent to the user application.                                                                                          |
| 0                           | trigger deactivated (default value)                                                                                                                                                                         |
| (ADCminV+100) - (ADCmaxV-1) | threshold in mV<br>Please refer to the Product Technical Specification to determine the corresponding ADCminV and ADCmaxV for the chosen ADC.                                                               |
| <b>&lt;trig2&gt;:</b>       | maximum threshold<br>When this threshold is reached, unsolicited response +WDIAGI is sent to the user application.                                                                                          |
| 0                           | trigger deactivated (default value)                                                                                                                                                                         |
| (ADCminV+100) - (ADCmaxV-1) | threshold in mV<br>Please refer to the Product Technical Specification to determine the corresponding ADCminV and ADCmaxV for the chosen ADC.                                                               |
| <b>&lt;trig3&gt;:</b>       | delta threshold<br>When the delta of the last <trig3freq> ADC readings exceeds the threshold, unsolicited response +WDIAGI is sent to the user application.                                                 |
| 0                           | trigger deactivated (default value)                                                                                                                                                                         |
| 10 - 3000                   | threshold in mV                                                                                                                                                                                             |
| <b>&lt;trig3_freq&gt;:</b>  | number of last values used for the delta calculation                                                                                                                                                        |



|                                                                                                                                                                                                                                                                                                                                                               |   |                                                                                                                           |
|---------------------------------------------------------------------------------------------------------------------------------------------------------------------------------------------------------------------------------------------------------------------------------------------------------------------------------------------------------------|---|---------------------------------------------------------------------------------------------------------------------------|
|                                                                                                                                                                                                                                                                                                                                                               | 0 | 5 (default value)                                                                                                         |
|                                                                                                                                                                                                                                                                                                                                                               | 1 | 10                                                                                                                        |
|                                                                                                                                                                                                                                                                                                                                                               | 2 | 20                                                                                                                        |
| <b>&lt;indication&gt;:</b> type of event                                                                                                                                                                                                                                                                                                                      |   |                                                                                                                           |
|                                                                                                                                                                                                                                                                                                                                                               | 0 | current value (not available in best effort mode)                                                                         |
|                                                                                                                                                                                                                                                                                                                                                               | 1 | ADC value is under the minimum threshold value (<trig1>)                                                                  |
|                                                                                                                                                                                                                                                                                                                                                               | 2 | ADC value is above the minimum threshold value (<trig1>) (only after an unsolicited response with <indication>=1)         |
|                                                                                                                                                                                                                                                                                                                                                               | 3 | ADC value is under the maximum threshold value (<trig2>)                                                                  |
|                                                                                                                                                                                                                                                                                                                                                               | 4 | ADC value is under the maximum threshold value (<trig2>) (only after an unsolicited response with <indication>=3)         |
|                                                                                                                                                                                                                                                                                                                                                               | 5 | The delta between two values among the <trig3freq> last values is more important than the delta threshold value (<trig3>) |
| <b>&lt;value&gt;:</b> ADC value in mV<br>range: 1-8000<br>for <indication> = 0: the current ADC value<br>for <indication> = 2: the minimum ADC value read while the minimum threshold has been exceeded.<br>for <indication> = 4: the maximum ADC value read while the maximum threshold has been exceeded.<br>for <indication> = 5: the delta ADC value read |   |                                                                                                                           |

### 23.3.4. Parameter Storage

The parameters are stored in EEPROM using the AT&W.command. The default value can be restored using AT&F.

### 23.3.5. Examples

| Command                                                                                                              | Responses                                              |
|----------------------------------------------------------------------------------------------------------------------|--------------------------------------------------------|
| <b>AT+WDIAG=0,1,0,3000,4000,0</b><br><i>Note: ADC selfdiagnostic start in "best effort" for a min and a max trig</i> | OK<br><i>Note: Done</i>                                |
| <b>AT+WDIAG?</b><br><i>Note: Current value</i>                                                                       | +WDIAG: 0,1,0,3000,4000,0,0<br>OK<br><i>Note: Done</i> |
| <b>AT+WDIAG=0,1,60,0,0,50,0</b><br><i>Note: ADC selfdiagnostic start with a 60s frequency for a delta trig</i>       | OK<br><i>Note: Done</i>                                |
| <b>AT+WDIAG?</b><br><i>Note: Current value</i>                                                                       | +WDIAG: 0,1,60,0,0,50,0<br>OK<br><i>Note: Done</i>     |
| <b>AT+WDIAG=0,0</b><br><i>Note: ADC selfdiagnostic stop</i>                                                          | OK<br><i>Note: Done</i>                                |

### 23.3.6. Notes

Unsolicited responses for self diagnostic are only returned through one port. If these responses are already activated on a port and if the activation is made on another port, the command will return "+CME ERROR: 552" specific error.

Values over 4650 mV are not used

After a +WBCI=0 indication (minimum battery level reached), the selfdiagnostic is stopped.

Only one <type> can be activated at the same time.

Examples of selfdiagnostic feature behaviour

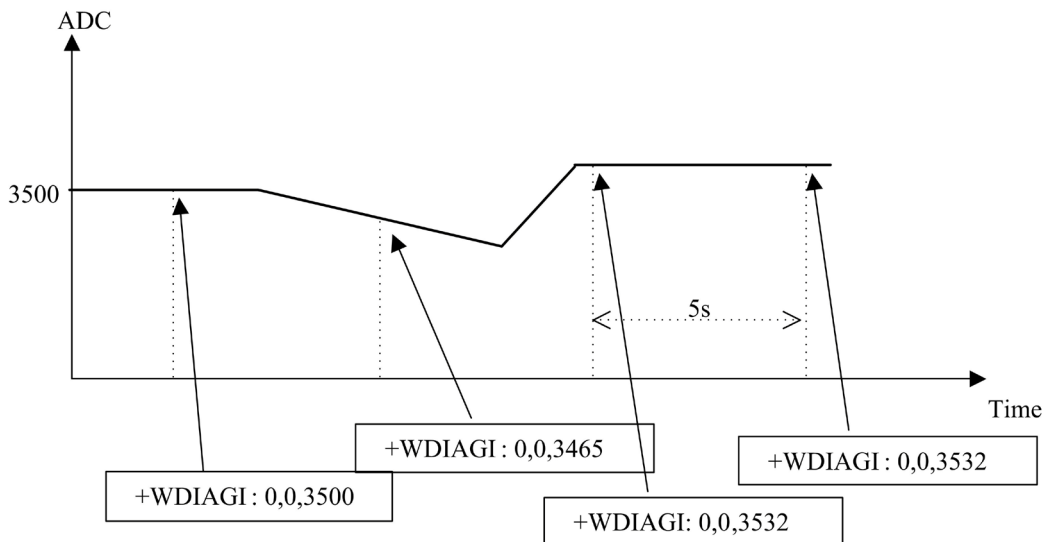
- Example 1

`AT+WDIAG=0,1,5,0,0,0,0`

---

*Note: ADC selfdiagnostic started with a 5s period.*

---



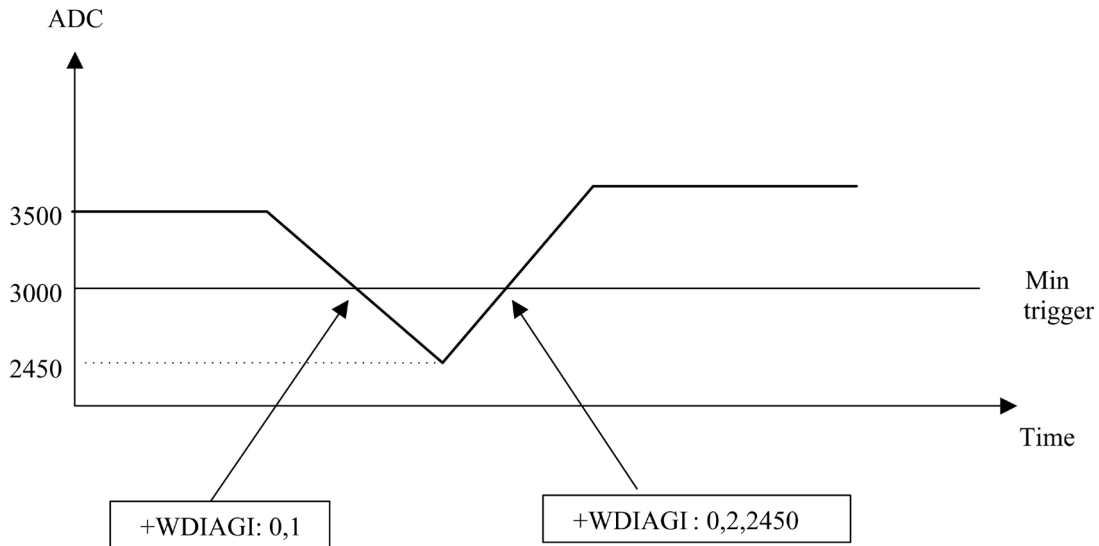
- Example 2

`AT+WDIAG=0,1,0,3000,0,0,0`

---

*Note: ADC selfdiagnostic started in "best effort" with a 3000 mV minimum threshold.*

---



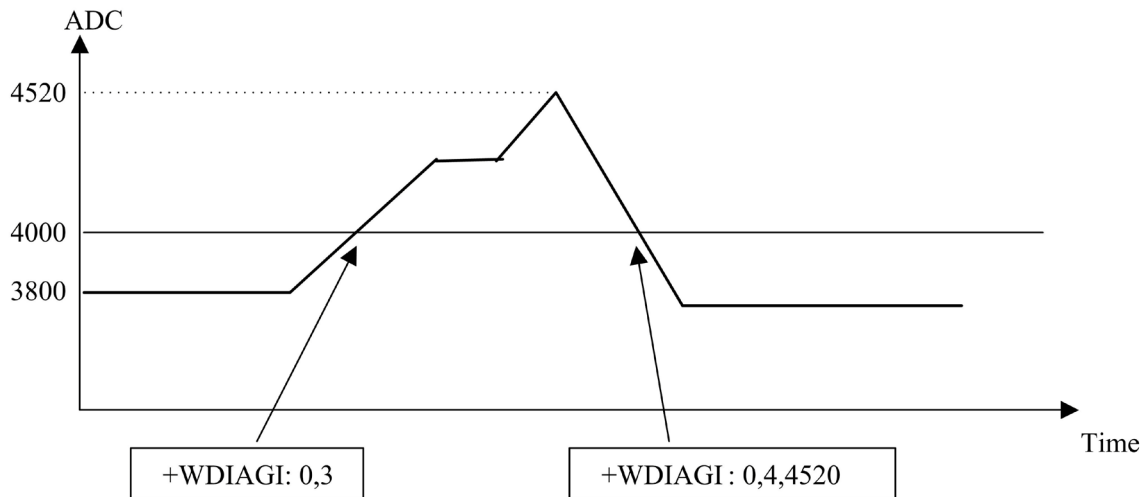
- Example 3

`AT+WDIAG=0,1,0,0,4000,0,0`

---

*Note: ADC selfdiagnostic started in "best effort" with a 4000 mV maximum threshold*

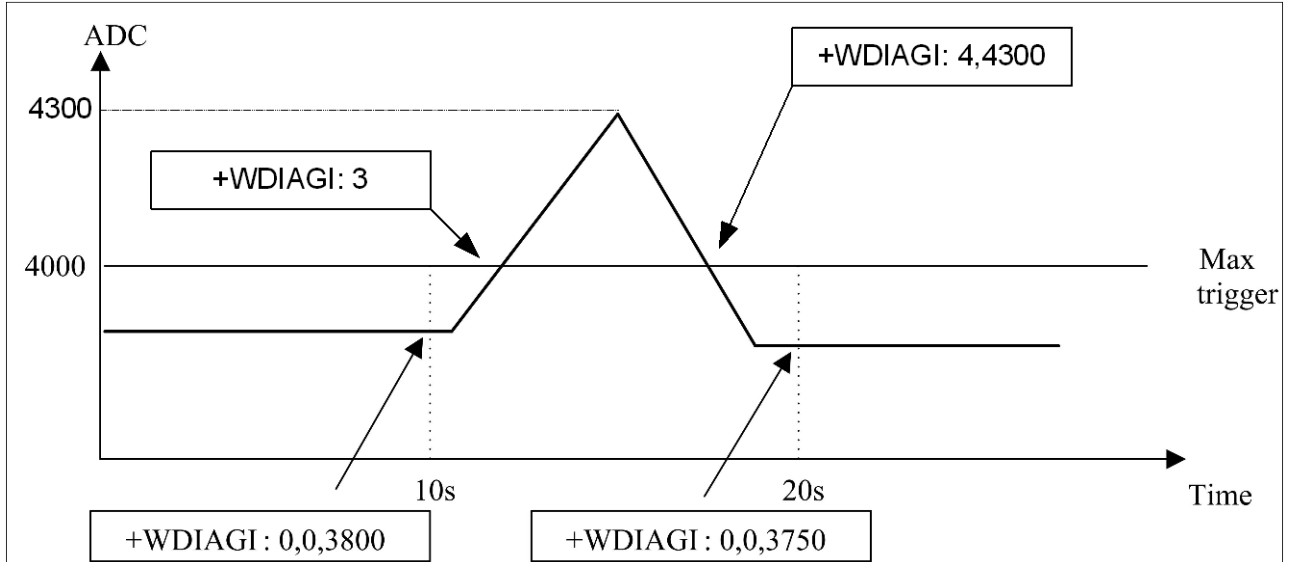
---



- Example 4

`AT+WDIAG=0,1,10,0,4000,0,0`

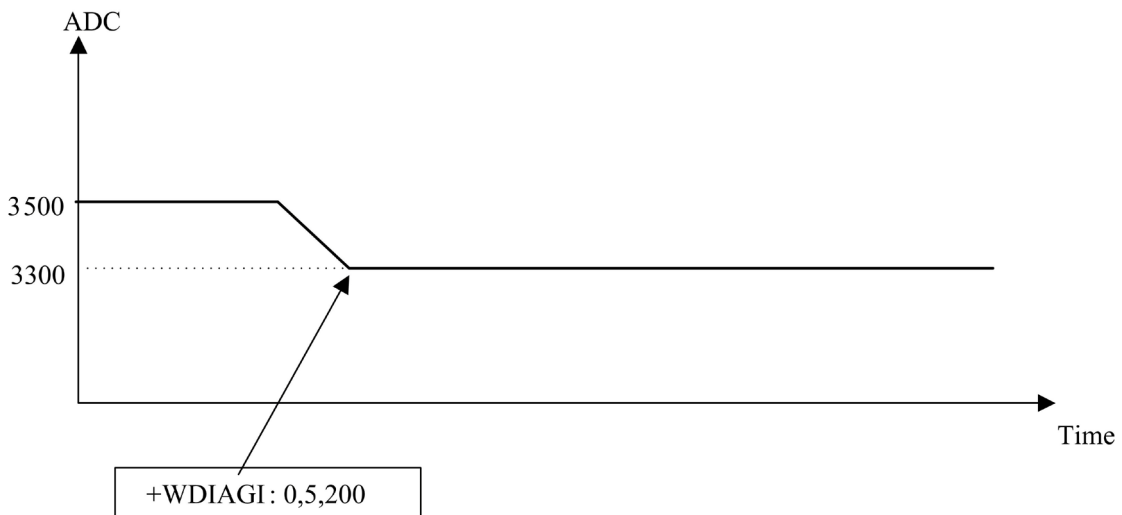
*Note: ADC selfdiagnostic started with a 10s period for a 4000 mV maximum threshold.*



- Example 5

`AT+WDIAG=0,1,0,0,0,100,1`

*Note: ADC self diagnostic started in "best effort" with a 100 mV delta threshold.*



## >> 24. CPHS Commands

### 24.1. CPHS Command: +CPHS



#### 24.1.1. Description

This Sierra Wireless proprietary command is used to activate, deactivate or interrogate a CPHS feature (e.g. voice mail indicator, mail box number...).

It also activates the following unsolicited responses:

- +WMVI which indicates the status of the LINE 1, LINE 2, DATA or FAX mailboxes.
- +WDCI which provides the call forwarding flags.

---

*Note:* This command is used to specifically manage the SIM stored Voicemail Numbers. Any actions related to the ME Memory stored Voicemail Numbers MUST be managed through the +CSVM Command.

*Note:* In case of any SL808xT modules, only Voice mail indicator service is supported. As a consequence, all +CPHS requests with <FctId> different from value 1 will return +CME ERROR: 3

*Note:* If a UICC with an active USIM application is inserted and module is different from SL808xT, this command always returns +CME ERROR: 3.

---

#### 24.1.2. Syntax

- For <Mode>=0 or 1:

**Action command**

```
AT+CPHS=<Mode>,<FctId>
```

```
OK
```

- For <Mode>=2 and <FctId>=1:

**Action command**

```
AT+CPHS=<Mode>,<FctId>
```

```
+WMVI: <LineId>,<VoiceMailStatus>
```

```
[+WMVI: <LineId>,<VoiceMailStatus>[...]]
```

```
OK
```

- For <Mode>=2 and <FctId>=2:

**Action command**

```
AT+CPHS=<Mode>,<FctId>
```

```
+WMBN: <LineId>,[<number>],[<type>],[<name>],<NumberStatus>
```

```
[+WMBN: <LineId>,[<number>],[<type>],[<name>],<NumberStatus>[...]]
```

```
OK
```

- For <Mode>=2 and <FctId>=3:

*Action command*

**AT+CPHS=<Mode>,<FctId>**

+WALS: <LineId>

OK

- For <Mode>=2 and <FctId>=4:

*Action command*

**AT+CPHS=<Mode>,<FctId>**

+WDCI: <LineId>,<DivertedStatus>

[+WDCI: <LineId>,<DivertedStatus> [...]]

OK

- For <Mode>=2 and <FctId>=5:

*Action command*

**AT+CPHS=<Mode>,<FctId>[,<type format>]**

+WNON: <type format>,<operator name>

OK

- For <Mode>=2 and <FctId>=6:

*Action command*

**AT+CPHS=<Mode>,<FctId>[,<data field>]**

+WCPI: <data field>,<InfoStatus>

OK

- For <Mode>=2 and <FctId>=7:

*Action command*

**AT+CPHS=<Mode>,<FctId>,<Service>**

+WCSP: <Service>,<ServiceStatus>

OK

*Read command*

**AT+CPHS?**

+CPHS: <FctId>[,<Status>]

[+CPHS: <FctId>[,<Status>] [...]]

OK

*Test command*

AT+CPHS=?

OK

*Unsolicited response*

+WVMI: <LineId>,<VoiceMailStatus>

*Unsolicited response*

+WDCI: <LineId>,<DivertedStatus>

### 24.1.3. Parameters and Defined Values

|                        |                                                                                                                                                                                                                                                                                                                                                                                                                                                                                                                                                                                                                                                                                                                                    |   |                           |   |                         |   |                           |   |                         |   |                       |   |                  |   |                          |
|------------------------|------------------------------------------------------------------------------------------------------------------------------------------------------------------------------------------------------------------------------------------------------------------------------------------------------------------------------------------------------------------------------------------------------------------------------------------------------------------------------------------------------------------------------------------------------------------------------------------------------------------------------------------------------------------------------------------------------------------------------------|---|---------------------------|---|-------------------------|---|---------------------------|---|-------------------------|---|-----------------------|---|------------------|---|--------------------------|
| <b>&lt;Mode&gt;:</b>   | <p>requested operation</p> <p>this parameter has not effect for alternate line service, Network Operator Name, CPHS information and Customer Profile Service features (&lt;FctId&gt;=3,5,6,7).</p> <p>default value: 0 for &lt;FctId&gt;=1,2,4</p> <table border="1"> <tr> <td>0</td> <td>deactivate a CPHS feature</td> </tr> <tr> <td>1</td> <td>activate a CPHS feature</td> </tr> <tr> <td>2</td> <td>interrogate a CPHS status</td> </tr> </table>                                                                                                                                                                                                                                                                            | 0 | deactivate a CPHS feature | 1 | activate a CPHS feature | 2 | interrogate a CPHS status |   |                         |   |                       |   |                  |   |                          |
| 0                      | deactivate a CPHS feature                                                                                                                                                                                                                                                                                                                                                                                                                                                                                                                                                                                                                                                                                                          |   |                           |   |                         |   |                           |   |                         |   |                       |   |                  |   |                          |
| 1                      | activate a CPHS feature                                                                                                                                                                                                                                                                                                                                                                                                                                                                                                                                                                                                                                                                                                            |   |                           |   |                         |   |                           |   |                         |   |                       |   |                  |   |                          |
| 2                      | interrogate a CPHS status                                                                                                                                                                                                                                                                                                                                                                                                                                                                                                                                                                                                                                                                                                          |   |                           |   |                         |   |                           |   |                         |   |                       |   |                  |   |                          |
| <b>&lt; FctId&gt;:</b> | <p>CPHS feature CPHS feature</p> <p>the Customer Service Profile and Alternate Line Service features are activated if the field is set in CPHS information and CSP files. The Network Operator Name is activated if at least one of the two format names exist (long or short format).This is done at initialization.</p> <table border="1"> <tr> <td>1</td> <td>voice mail indicator</td> </tr> <tr> <td>2</td> <td>mail box number</td> </tr> <tr> <td>3</td> <td>alternate line service</td> </tr> <tr> <td>4</td> <td>diverted call indicator</td> </tr> <tr> <td>5</td> <td>network operator name</td> </tr> <tr> <td>6</td> <td>CPHS Information</td> </tr> <tr> <td>7</td> <td>Customer Service Profile</td> </tr> </table> | 1 | voice mail indicator      | 2 | mail box number         | 3 | alternate line service    | 4 | diverted call indicator | 5 | network operator name | 6 | CPHS Information | 7 | Customer Service Profile |
| 1                      | voice mail indicator                                                                                                                                                                                                                                                                                                                                                                                                                                                                                                                                                                                                                                                                                                               |   |                           |   |                         |   |                           |   |                         |   |                       |   |                  |   |                          |
| 2                      | mail box number                                                                                                                                                                                                                                                                                                                                                                                                                                                                                                                                                                                                                                                                                                                    |   |                           |   |                         |   |                           |   |                         |   |                       |   |                  |   |                          |
| 3                      | alternate line service                                                                                                                                                                                                                                                                                                                                                                                                                                                                                                                                                                                                                                                                                                             |   |                           |   |                         |   |                           |   |                         |   |                       |   |                  |   |                          |
| 4                      | diverted call indicator                                                                                                                                                                                                                                                                                                                                                                                                                                                                                                                                                                                                                                                                                                            |   |                           |   |                         |   |                           |   |                         |   |                       |   |                  |   |                          |
| 5                      | network operator name                                                                                                                                                                                                                                                                                                                                                                                                                                                                                                                                                                                                                                                                                                              |   |                           |   |                         |   |                           |   |                         |   |                       |   |                  |   |                          |
| 6                      | CPHS Information                                                                                                                                                                                                                                                                                                                                                                                                                                                                                                                                                                                                                                                                                                                   |   |                           |   |                         |   |                           |   |                         |   |                       |   |                  |   |                          |
| 7                      | Customer Service Profile                                                                                                                                                                                                                                                                                                                                                                                                                                                                                                                                                                                                                                                                                                           |   |                           |   |                         |   |                           |   |                         |   |                       |   |                  |   |                          |
| <b>&lt;Status&gt;:</b> | <p>CPHS feature state</p> <table border="1"> <tr> <td>0</td> <td>disabled</td> </tr> <tr> <td>1</td> <td>enabled</td> </tr> </table>                                                                                                                                                                                                                                                                                                                                                                                                                                                                                                                                                                                               | 0 | disabled                  | 1 | enabled                 |   |                           |   |                         |   |                       |   |                  |   |                          |
| 0                      | disabled                                                                                                                                                                                                                                                                                                                                                                                                                                                                                                                                                                                                                                                                                                                           |   |                           |   |                         |   |                           |   |                         |   |                       |   |                  |   |                          |
| 1                      | enabled                                                                                                                                                                                                                                                                                                                                                                                                                                                                                                                                                                                                                                                                                                                            |   |                           |   |                         |   |                           |   |                         |   |                       |   |                  |   |                          |



|                                 |                                                                                                                                           |
|---------------------------------|-------------------------------------------------------------------------------------------------------------------------------------------|
| <b>&lt;LineId&gt;:</b>          | line identity                                                                                                                             |
| 1                               | line 1                                                                                                                                    |
| 2                               | line 2                                                                                                                                    |
| 3                               | data                                                                                                                                      |
| 4                               | fax                                                                                                                                       |
| <b>&lt;VoiceMailStatus&gt;:</b> | voice mail status                                                                                                                         |
| 0                               | no message waiting                                                                                                                        |
| 1                               | at least one message is waiting                                                                                                           |
| <b>&lt;number&gt;:</b>          | phone number in ASCII format<br>string type                                                                                               |
| <b>&lt;type&gt;:</b>            | TON/NPI Type of address octet (refer GSM 04.08 subclause 10.5.4.7 <a href="#">[6]</a> )<br>integer type                                   |
| 129                             | ISDN / telephony numbering plan, national / international unknown                                                                         |
| 145                             | ISDN / telephony numbering plan, international number                                                                                     |
| 161                             | ISDN / telephony numbering plan, national number                                                                                          |
| 128-255                         | other values (refer GSM 04.08 section 10.5.4.7 <a href="#">[6]</a> )                                                                      |
| <b>&lt;name&gt;:</b>            | name of mailbox<br>string type<br>the +WPCS command affects the format of the mailbox <name> entry<br>the maximum length is SIM dependent |
| <b>&lt;NumberStatus&gt;:</b>    | Indicates if <number> can be updated or not                                                                                               |
| 0                               | update is not possible                                                                                                                    |
| 1                               | update is possible                                                                                                                        |
| <b>&lt;DivertedStatus&gt;:</b>  | divert Call Status                                                                                                                        |
| 0                               | disabled                                                                                                                                  |
| 1                               | enabled                                                                                                                                   |
| <b>&lt;type format&gt;:</b>     | <operator name> format                                                                                                                    |
| 0                               | long format (default value)                                                                                                               |
| 1                               | short format                                                                                                                              |
| <b>&lt;operator name&gt;:</b>   | operator name<br>string type                                                                                                              |

|                               |                                                                                                                                                                                                                                                                                   |
|-------------------------------|-----------------------------------------------------------------------------------------------------------------------------------------------------------------------------------------------------------------------------------------------------------------------------------|
| <b>&lt;data field&gt;:</b>    | CPHS information field bit number<br>range: 0-25 (default value if omitted: 0)<br><br>If <data field> field is equal to 0, the whole CPHS information field will be displayed in <InfoStatus> parameter<br><br>Please refer to section "CPHS information field" in the appendices |
| <b>&lt;InfoStatus&gt;:</b>    | CPHS information field status                                                                                                                                                                                                                                                     |
| 0                             | service is not customer-accessible                                                                                                                                                                                                                                                |
| 1                             | service is customer-accessible                                                                                                                                                                                                                                                    |
| "xxxxxxxx"                    | whole CPHS information bit field<br>hexadecimal string (8 digits)                                                                                                                                                                                                                 |
| <b>&lt;Service&gt;:</b>       | CSP field bit number<br>range: 1-81<br><br>Please refer to section "CSP constants" in the appendices.                                                                                                                                                                             |
| <b>&lt;ServiceStatus&gt;:</b> | CSP bit status                                                                                                                                                                                                                                                                    |
| 0                             | service is not customer-accessible                                                                                                                                                                                                                                                |
| 1                             | service is customer-accessible                                                                                                                                                                                                                                                    |

## 24.1.4. Parameter Storage

The <Mode> parameter is stored in EEPROM without using the AT&W.command. The default value can be restored using AT&F.

## 24.1.5. Examples

| Command                                                                                    | Responses                                                                                                                                                                                                                                                                                                                                                                                                                                                                                                                                                                                                                  |
|--------------------------------------------------------------------------------------------|----------------------------------------------------------------------------------------------------------------------------------------------------------------------------------------------------------------------------------------------------------------------------------------------------------------------------------------------------------------------------------------------------------------------------------------------------------------------------------------------------------------------------------------------------------------------------------------------------------------------------|
| <p><b>AT+CPHS?</b><br/><i>Note: Interrogate the status of CPHS functionality</i></p>       | <p>+CPHS: 1,0<br/><i>Note: The voice mail indicator functionality is deactivated</i><br/>+CPHS: 2,0<br/><i>Note: The mail box number functionality is deactivated</i><br/>+CPHS: 3,1<br/><i>Note: The alternate line service functionality is activated</i><br/>+CPHS: 4,0<br/><i>Note: The divert call indicator functionality is deactivated</i><br/>+CPHS: 5,1<br/><i>Note: The network operator name functionality is activated</i><br/>+CPHS: 6,1<br/><i>Note: The CPHS information functionality is activated</i><br/>+CPHS: 7,1<br/><i>Note: The customer service profile functionality is activated</i><br/>OK</p> |
| <p><b>AT+CPHS=1,1</b><br/><i>Note: Activate the voice mail indicator functionality</i></p> | <p>OK</p>                                                                                                                                                                                                                                                                                                                                                                                                                                                                                                                                                                                                                  |
| <p><b>AT+CPHS?</b><br/><i>Note: Interrogate the status of CPHS functionality</i></p>       | <p>+CPHS: 1,1<br/><i>Note: The voice mail indicator functionality is activated</i><br/>+CPHS: 2,0<br/><i>Note: The mail box number functionality is deactivated</i><br/>+CPHS: 3,1<br/><i>Note: The alternate line service functionality is activated</i><br/>+CPHS: 4,0<br/><i>Note: The divert call indicator functionality is deactivated</i><br/>+CPHS: 5,1<br/><i>Note: The network operator name functionality is activated</i><br/>+CPHS: 6,1<br/><i>Note: The CPHS information functionality is activated</i><br/>+CPHS: 7,1<br/><i>Note: The customer service profile functionality is activated</i><br/>OK</p>   |
|                                                                                            | <p>+WVMI: 1,1<br/><i>Note: A message is waiting on line 1</i></p>                                                                                                                                                                                                                                                                                                                                                                                                                                                                                                                                                          |
|                                                                                            | <p>+WVMI: 2,1<br/><i>Note: A message is waiting on line 2</i></p>                                                                                                                                                                                                                                                                                                                                                                                                                                                                                                                                                          |

| Command                                                                                         | Responses                                                                                                                                                                                                                                                                                                                                                                                                                                                                                                                                                                                         |
|-------------------------------------------------------------------------------------------------|---------------------------------------------------------------------------------------------------------------------------------------------------------------------------------------------------------------------------------------------------------------------------------------------------------------------------------------------------------------------------------------------------------------------------------------------------------------------------------------------------------------------------------------------------------------------------------------------------|
| <b>AT+CPHS=1,4</b><br><i>Note: Activate the divert call indicator functionality</i>             | OK                                                                                                                                                                                                                                                                                                                                                                                                                                                                                                                                                                                                |
| **** The call forwarding is active on line 1 ****                                               | +WDCI: 1,1<br><i>Note: Call forwarding is activated on line 1</i>                                                                                                                                                                                                                                                                                                                                                                                                                                                                                                                                 |
| <b>AT+CPHS=2,1</b><br><i>Note: Interrogate the status of voice mail indicator functionality</i> | +WVMI: 1,1<br><i>Note: A message is waiting on line 1</i><br>+WVMI: 2,1<br><i>Note: A message is waiting on line 2</i><br>+WVMI: 3,0<br><i>Note: No data waiting</i><br>+WVMI: 4,0<br><i>Note: No fax waiting</i><br>OK                                                                                                                                                                                                                                                                                                                                                                           |
| <b>AT+CPHS=1,2</b><br><i>Note: Activate the mail box number functionality</i>                   | OK                                                                                                                                                                                                                                                                                                                                                                                                                                                                                                                                                                                                |
| <b>AT+WALS=1</b><br><br><i>Note: Interrogate the status of activated line</i>                   | +WALS: 2<br>OK<br><br><i>Note: The current line is number 2</i>                                                                                                                                                                                                                                                                                                                                                                                                                                                                                                                                   |
| <b>AT+CPHS=0,4</b><br><i>Note: Deactivate the divert call indicator functionality</i>           | OK                                                                                                                                                                                                                                                                                                                                                                                                                                                                                                                                                                                                |
| <b>AT+CPHS?</b><br><i>Note: Interrogate the status of CPHS functionality</i>                    | +CPHS: 1,1<br><i>Note: The voice mail indicator functionality is activated</i><br>+CPHS: 2,1<br><i>Note: The mail box number functionality is activated</i><br>+CPHS: 3,1<br><i>Note: The alternate line service functionality is activated</i><br>+CPHS: 4,0<br><i>Note: The divert call indicator functionality is deactivated</i><br>+CPHS: 5,1<br><i>Note: The network operator name functionality is activated</i><br>+CPHS: 6,1<br><i>Note: The CPHS Information functionality is activated</i><br>+CPHS: 7,1<br><i>Note: The Customer Service Profile functionality is activated</i><br>OK |

| Command                                                                                                      | Responses                                                                                                                                                                                                                                                                                                      |
|--------------------------------------------------------------------------------------------------------------|----------------------------------------------------------------------------------------------------------------------------------------------------------------------------------------------------------------------------------------------------------------------------------------------------------------|
| <b>AT+CPHS=2,2</b><br><i>Note: Get current values</i>                                                        | +WMBN: 1,"19254871234",129,,1<br><i>Note: Mail box number for line 1</i><br>+WMBN: 2,,,1<br><i>Note: Mail box number for line 2</i><br>+WMBN: 3,,,1<br><i>Note: Mail box number for data line</i><br>+WMBN: 4,,,1<br><i>Note: Mail box number for fax line</i><br>OK<br><i>Note: Only line1 can be updated</i> |
| <b>AT+CPHS=2,5</b><br><i>Note: Get the operator name</i>                                                     | +WNON: 0,"Orange F"<br>OK                                                                                                                                                                                                                                                                                      |
| <b>AT+CPHS=2,7,9</b><br><i>Note: Get the current status for barring of all outgoing calls</i>                | +WCSP: 9,1<br>OK<br><i>Note: Barring of all outgoing calls is customer accessible.</i>                                                                                                                                                                                                                         |
| <b>AT+CPHS=2,6</b><br><i>Note: Get the current status for all CPHS info field</i>                            | +WCPI: 0,"0033000F"<br>OK                                                                                                                                                                                                                                                                                      |
| <b>AT+CPHS=2,6,13</b><br><i>Note: Get the current status for call forward activated indicator for line 1</i> | +WCPI: 13,1<br>OK                                                                                                                                                                                                                                                                                              |

## 24.1.6. Notes

This command may answer "+CME ERROR: 3" if:

- the CPHS feature is disabled
- the SIM card does not support this CPHS
- a UICC with an active USIM application is inserted on any module different from SL808xT
- SL808xT module is used and <FctId> is set to any value different from 1 (only voice mail indicator is supported on SL808xT)

## 24.2. Sierra Wireless CPHS Mail Box Number +WMBN



### 24.2.1. Description

This Sierra Wireless proprietary command sets the different mailbox numbers in SIM. The +CPHS command can be used to know which mailbox numbers can be updated.

*Note:* If a UICC with an active USIM application is inserted, this command always returns +CME ERROR: 3.

### 24.2.2. Syntax

#### Action command

```
AT+WMBN=<Lineld>[,<number>,[<type>],[<name>]]
```

OK

#### Read command

```
AT+WMBN?
```

OK

#### Test command

```
AT+WMBN=?
```

OK

### 24.2.3. Parameters and Defined Values

**<Lineld>:** line associated to the mailbox

|   |        |
|---|--------|
| 1 | line 1 |
| 2 | line 2 |
| 3 | data   |
| 4 | fax    |

|                        |                                                                                                                                                                                                                       |
|------------------------|-----------------------------------------------------------------------------------------------------------------------------------------------------------------------------------------------------------------------|
| <b>&lt;number&gt;:</b> | phone number<br>ASCII format<br>up to 20 digits                                                                                                                                                                       |
| <b>&lt;type&gt;:</b>   | TON/NPI Type of address octet for <number> (refer GSM 04.08 subclause 10.5.4.7 <a href="#">[6]</a> ); default 145 when dialing string includes international access code character "+", otherwise 129<br>integer type |
| 129                    | ISDN / telephony numbering plan, national / international unknown                                                                                                                                                     |
| 145                    | ISDN / telephony numbering plan, international number                                                                                                                                                                 |
| 161                    | ISDN / telephony numbering plan, national number                                                                                                                                                                      |
| 128-255                | other values (refer GSM 04.08 section 10.5.4.7 <a href="#">[6]</a> )                                                                                                                                                  |
| <b>&lt;name&gt;:</b>   | name of mailbox<br>string type<br>the +WPCS command affects the format of the mailbox <name> entry.<br>the maximum length is SIM dependent.                                                                           |

## 24.2.4. Parameter Storage

None.

## 24.2.5. Examples

| Command                                                                                  | Responses                                                                                                      |
|------------------------------------------------------------------------------------------|----------------------------------------------------------------------------------------------------------------|
| <b>AT+CPHS=2,2</b><br><br><i>Note: Gets the current mail box numbers in SIM</i>          | +WMBN:1,"0123456789",129,"Home",1<br>+WMBN:2,"9876543210",129,"Work",1<br>+WMBN:3,,,,,1<br>+WMBN:4,,,,,1<br>OK |
| <b>AT+WMBN=1,"+0033122334455",145</b><br><br><i>Note: Sets mailbox number for line 1</i> | OK<br><br><i>Note: Mailbox number for line 1 is set</i>                                                        |
| <b>AT+WMBN=2</b><br><br><i>Note: Erases mailbox number &amp; name for line 2</i>         | OK                                                                                                             |
| <b>AT+CPHS=2,2</b><br><br><i>Note: Gets the current mail box numbers again</i>           | +WMBN: 1,"+33122334455",145,,1<br>+WMBN: 2,,,,,1<br>+WMBN: 3,,,,,1<br>+WMBN: 4,,,,,1<br>OK                     |



## 24.3. Sierra Wireless Alternate Line Service +WALS



### 24.3.1. Description

This Sierra Wireless proprietary command allows to set and to get an active line. The +CPHS command can be used to know which line is activated.

*Note:* If a UICC with an active USIM application is inserted, this command always returns +CME ERROR: 3.

### 24.3.2. Syntax

#### *Action command*

```
AT+WALS=<CmdType>[,<LineId>]
```

```
[+WALS: <LineId>]
```

```
OK
```

#### *Read command*

```
AT+WALS?
```

```
+WALS: <LineId>
```

```
OK
```

#### *Test command*

```
AT+WALS=?
```

```
+WALS: (list of supported <CmdType>s), (list of supported <LineId>s)
```

```
OK
```

### 24.3.3. Parameters and Defined Values

|                         |   |                                           |
|-------------------------|---|-------------------------------------------|
| <b>&lt;CmdType&gt;:</b> |   | requested operation                       |
|                         | 0 | sets active line                          |
|                         | 1 | gets active line                          |
| <b>&lt;LineId&gt;:</b>  |   | line number<br>used only with <CmdType>=0 |
|                         | 1 | line 1                                    |
|                         | 2 | line 2                                    |

### 24.3.4. Parameter Storage

The <LineId> parameter is stored in EEPROM without using the AT&W command.

### 24.3.5. Examples

| Command                                                           | Responses                 |
|-------------------------------------------------------------------|---------------------------|
| <b>AT+WALS=?</b>                                                  | +WALS: (0-1), (1-2)<br>OK |
| <b>AT+WALS=0,1</b><br><i>Note: Activate line 1</i>                | +WALS: 1<br>OK            |
| <b>AT+WALS=1</b><br><i>Note: Get the current activated line</i>   | +WALS: 1<br>OK            |
| <b>AT+CPHS=2,3</b><br><i>Note: Get the current activated line</i> | +WALS: 1<br>OK            |

## 25. Fax Commands

### 25.1. Introduction

The fax service provided by the product is class 1 compliant. However, only the core commands defined by ITU T.31 are supported. This means that commands such as AT+FAR, +FCC, etc. are not supported.

Autobauding must be enabled to set up the product for fax.

All the following commands return an ERROR response code if they are not issued during communication.

## 25.2. Transmit Speed +FTM



### 25.2.1. Description

This command sets the fax transmit speed.

### 25.2.2. Syntax

*Action command*

```
AT+FTM=<speed>
```

OK

*Read command*

None

*Test command*

```
AT+FTM=?
```

(list of supported <speed>s)

OK

### 25.2.3. Parameters and Defined Values

| <speed> | fax transmit speed                  |
|---------|-------------------------------------|
| 24      | 2400 bps (modem type V.27ter)       |
| 48      | 4800 bps (modem type V.27ter)       |
| 72      | 7200 bps (modem type V.29)          |
| 73      | 7200 bps (long) (modem type V.17)   |
| 74      | 7200 bps (short) (modem type V.17)  |
| 96      | 9600 bps (modem type V.29)          |
| 97      | 9600 bps (long) (modem type V.17)   |
| 98      | 9600 bps (short) (modem type V.17)  |
| 121     | 12000 bps (long) (modem type V.17)  |
| 122     | 12000 bps (short) (modem type V.17) |
| 145     | 14400 bps (long) (modem type V.17)  |
| 146     | 14400 bps (short) (modem type V.17) |

### 25.2.4. Parameter Storage

None.

### 25.2.5. Examples

| Command                                                                            | Responses                                                  |
|------------------------------------------------------------------------------------|------------------------------------------------------------|
| <b>AT+FTM=145</b><br><i>Note: Set fax speed at 14400 bps for a V.17 type modem</i> | OK                                                         |
| <b>AT+FTM=?</b><br><i>Note: Get possible values</i>                                | (24, 48, 72, 73, 74, 96, 97, 98, 121, 122, 145, 146)<br>OK |

## 25.3. Receive Speed +FRM



### 25.3.1. Description

This command sets the fax receive speed.

### 25.3.2. Syntax

*Action command*

```
AT+FRM=<speed>
```

OK

*Read command*

None

*Test command*

```
AT+FRM=?
```

(list of supported <speed>s)

OK

### 25.3.3. Parameters and Defined Values

| <speed> | fax receive speed                   |
|---------|-------------------------------------|
| 24      | 2400 bps (modem type V.27ter)       |
| 48      | 4800 bps (modem type V.27ter)       |
| 72      | 7200 bps (modem type V.29)          |
| 73      | 7200 bps (long) (modem type V.17)   |
| 74      | 7200 bps (short) (modem type V.17)  |
| 96      | 9600 bps (modem type V.29)          |
| 97      | 9600 bps (long) (modem type V.17)   |
| 98      | 9600 bps (short) (modem type V.17)  |
| 121     | 12000 bps (long) (modem type V.17)  |
| 122     | 12000 bps (short) (modem type V.17) |
| 145     | 14400 bps (long) (modem type V.17)  |
| 146     | 14400 bps (short) (modem type V.17) |

### 25.3.4. Parameter Storage

None.

### 25.3.5. Examples

| Command                                                                            | Responses                                                  |
|------------------------------------------------------------------------------------|------------------------------------------------------------|
| <b>AT+FRM=?</b><br><i>Note: Get possible values</i>                                | (24, 48, 72, 73, 74, 96, 97, 98, 121, 122, 145, 146)<br>OK |
| <b>AT+FRM=145</b><br><i>Note: Set fax speed at 14400 bps for a V.17 type modem</i> | OK                                                         |

## 25.4. HDLC Transmit Speed +FTH



### 25.4.1. Description

This command sets the fax transmit speed using the HDLC protocol.

### 25.4.2. Syntax

*Action command*

```
AT+FTH=<speed>
```

OK

*Read command*

None

*Test command*

```
AT+FTH=?
```

(list of supported <speed>s)

OK

### 25.4.3. Parameters and Defined Values

|          |                         |
|----------|-------------------------|
| <speed>: | HDLC fax transmit speed |
| 3        | V.21 channels 300 bps   |

### 25.4.4. Parameter Storage

None.



## 25.4.5. Examples

| Command                                                  | Responses |
|----------------------------------------------------------|-----------|
| <b>AT+FTH=3</b><br><i>Note: Set fax speed at 300 bps</i> | OK        |
| <b>AT+FTH=?</b><br><i>Note: Get possible values</i>      | (3)<br>OK |

## 25.5. HDLC Receive Speed +FRH



### 25.5.1. Description

This command sets the fax receive speed using the HDLC protocol.

### 25.5.2. Syntax

*Action command*

**AT+FRH=<speed>**

OK

*Read command*

None

*Test command*

**AT+FRH=?**

(list of supported <speed>s)

OK

### 25.5.3. Parameters and Defined Values

|                       |                        |
|-----------------------|------------------------|
| <b>&lt;speed&gt;:</b> | HDLC fax receive speed |
| 3                     | V.21 channels 300 bps  |

### 25.5.4. Parameter Storage

None.

## 25.5.5. Examples

| Command                                                  | Responses |
|----------------------------------------------------------|-----------|
| <b>AT+FRH=3</b><br><i>Note: Set fax speed at 300 bps</i> | OK        |
| <b>AT+FRH=?</b><br><i>Note: Get possible values</i>      | (3)<br>OK |

## 25.6. Stop Transmission and Wait +FTS



### 25.6.1. Description

This command stops the transmission for a specified period.

### 25.6.2. Syntax

*Action command*

```
AT+FTS=<n>
```

OK

*Read command*

None

*Test command*

```
AT+FTS=?
```

(list of supported <n>s)

OK

### 25.6.3. Parameters and Defined Values

|       |                                |
|-------|--------------------------------|
| <n>:  | fax transmit silence period    |
| 0-255 | silence period (unit is 10 ms) |

### 25.6.4. Parameter Storage

None.

## 25.6.5. Examples

| Command                                            | Responses     |
|----------------------------------------------------|---------------|
| <b>AT+FTS=?</b><br><i>Note: Test command</i>       | (0-255)<br>OK |
| <b>AT+FTS=50</b>                                   | OK            |
| <i>Note: Stops transmission and waits for 0.5s</i> |               |

## 25.7. Receive Silence +FRS



### 25.7.1. Description

This command causes the embedded module to stop listening to the network and report back to the DTE after the specified period.

It is aborted if any character is received from the application.

### 25.7.2. Syntax

*Action command*

```
AT+FRS=<n>
```

OK

*Read command*

None

*Test command*

```
AT+FRS=?
```

(list of supported <n>s)

OK

### 25.7.3. Parameters and Defined Values

|       |                                     |
|-------|-------------------------------------|
| <n>:  | fax receive non listening period    |
| 0-255 | non listening period (unit is 10ms) |

### 25.7.4. Parameter Storage

None.

## 25.7.5. Examples

| Command                                                             | Responses     |
|---------------------------------------------------------------------|---------------|
| <b>AT+FRS=?</b><br><i>Note: Get possible values</i>                 | (0-255)<br>OK |
| <b>AT+FRS=50</b><br><i>Note: Stops listening and waits for 0.5s</i> | OK            |



## 26. Fax class 2 Commands

### 26.1. Transmit Data +FDT



#### 26.1.1. Description

This command prefixes data transmission.

#### 26.1.2. Syntax

*Action command*

**AT+FDT**

OK

*Read command*

None

*Test command*

None

#### 26.1.3. Parameters and Defined Values

None.

#### 26.1.4. Parameter Storage

None.

#### 26.1.5. Examples

None.



## 26.2. Receive Data +FDR



### 26.2.1. Description

This command initiates data reception.

### 26.2.2. Syntax

*Action command*

**AT+FDR**

OK

*Read command*

None

*Test command*

None

### 26.2.3. Parameters and Defined Values

None.

### 26.2.4. Parameter Storage

None.

### 26.2.5. Examples

None.

## 26.3. Transmit Page Punctuation +FET



### 26.3.1. Description

This command punctuates page and document transmission after the +FDT command. It indicates that the current page is complete, and if there are additional pages to send.

The +FET unsolicited response reports post page message response.

### 26.3.2. Syntax

*Action command*

**AT+FET=<ppm>**

OK

*Read command*

None

*Test command*

None

*Unsolicited response*

+FET: <ppm>

### 26.3.3. Parameters and Defined Values

|                     |                                       |
|---------------------|---------------------------------------|
| <b>&lt;ppm&gt;:</b> | post page message                     |
| 0                   | another page next, same document      |
| 1                   | another document next                 |
| 2                   | no more pages or documents            |
| 3                   | another partial page next             |
| 4                   | another page, procedure interrupt     |
| 5                   | another document, procedure interrupt |
| 6                   | all done, procedure interrupt         |

### 26.3.4. Parameter Storage

None.

### 26.3.5. Examples

| Command                                                                | Responses |
|------------------------------------------------------------------------|-----------|
| <b>AT+FET=0</b><br><i>Note: Send another page of the same document</i> | OK        |

## 26.4. Page Transfer Status Parameters +FPTS



### 26.4.1. Description

This command sets post page transfer response.

The +FPTS unsolicited response reports received page transfer status.

### 26.4.2. Syntax

*Action command*

```
AT+FPTS=<ppr>
```

OK

*Read command*

None

*Test command*

None

*Unsolicited response*

```
+FPTS: <ppr>
```

### 26.4.3. Parameters and Defined Values

|       |                                |
|-------|--------------------------------|
| <ppr> | post page transfer response    |
| 1     | page good                      |
| 2     | page bad; retry requested      |
| 3     | page good; retrain requested   |
| 4     | page bad; interrupt requested  |
| 5     | page good; interrupt requested |

## **26.4.4. Parameter Storage**

None.

## **26.4.5. Examples**

None.

## 26.5. Terminate Session +FK



### 26.5.1. Description

This command causes the product to terminate the session.

### 26.5.2. Syntax

*Action command*

**AT+FK**

OK

*Read command*

None

*Test command*

None

### 26.5.3. Parameters and Defined Values

None.

### 26.5.4. Parameter Storage

None.

### 26.5.5. Examples

None.

## 26.6. Page Transfer Bit Order +FBOR



### 26.6.1. Description

This command sets the bit order for negotiation and fax page transfer. The order is related to the bit order on radio link. .

### 26.6.2. Syntax

*Action command*

**AT+FBOR=<n>**

OK

*Read command*

**AT+FBOR?**

<n>

OK

*Test command*

**AT+FBOR=?**

(list of supported <n>s)

OK

### 26.6.3. Parameters and Defined Values

| <n>: | Bit order for negotiation | Bit order for page transfer |
|------|---------------------------|-----------------------------|
| 0    | same (default)            | same (default)              |
| 1    | same                      | reverse                     |
| 2    | reverse                   | same                        |
| 3    | reverse                   | reverse                     |

## 26.6.4. Parameter Storage

The <n> parameter is stored in EEPROM using the AT&W command. The default value can be restored using AT&F.

## 26.6.5. Examples

| Command                                      | Responses                                            |
|----------------------------------------------|------------------------------------------------------|
| AT+FBOR=?                                    | (0-3)<br>OK                                          |
| AT+FBOR=0<br><i>Note: Set bit order to 0</i> | OK<br><i>Note: Bit order set at default settings</i> |
| AT+FBOR?                                     | 0<br>OK                                              |



## 26.7. Buffer Size Report +FBUF



### 26.7.1. Description

This command requests the size of the exchange buffer between the embedded module and the fax application.

### 26.7.2. Syntax

*Action command*

None

*Read command*

**AT+FBUF?**

<buffer size>

OK

*Test command*

None

### 26.7.3. Parameters and Defined Values

|                             |                                                      |
|-----------------------------|------------------------------------------------------|
| <b>&lt;buffer size&gt;:</b> | size of the exchange buffer in bytes<br>integer type |
|-----------------------------|------------------------------------------------------|

### 26.7.4. Parameter Storage

None.

## 26.7.5. Examples

| Command                                                     | Responses                                                            |
|-------------------------------------------------------------|----------------------------------------------------------------------|
| <b>AT+FBUF?</b><br><br><i>Note: Get current buffer size</i> | 1024<br><br>OK<br><br><i>Note: Current buffer size is 1024 bytes</i> |

## 26.8. Copy Quality Checking +FCQ



### 26.8.1. Description

This command controls copy quality checking for receiving faxes.

### 26.8.2. Syntax

*Action command*

```
AT+FCQ=<n>
```

OK

*Read command*

```
AT+FCQ?
```

<n>

OK

*Test command*

```
AT+FCQ=?
```

(list of supported <n>s)

OK

### 26.8.3. Parameters and Defined Values

|      |                                       |
|------|---------------------------------------|
| <n>: | copy quality mode                     |
| 0    | copy quality checking (default value) |

### 26.8.4. Parameter Storage

The <n> parameter is stored in EEPROM using the AT&W command. The default value can be restored using AT&F.

## 26.8.5. Examples

| Command  | Responses |
|----------|-----------|
| AT+FCQ=? | (0)<br>OK |

## 26.9. Capability to Receive +FCR



### 26.9.1. Description

This command controls the capability of the embedded module to accept incoming faxes.

### 26.9.2. Syntax

*Action command*

```
AT+FCR=<n>
```

OK

*Read command*

```
AT+FCR?
```

```
<n>
```

OK

*Test command*

```
AT+FCR=?
```

```
(list of supported <n>s)
```

OK

### 26.9.3. Parameters and Defined Values

|                   |                                                                |
|-------------------|----------------------------------------------------------------|
| <b>&lt;n&gt;:</b> | capability to receive mode                                     |
| 0                 | The embedded module will not accept incoming faxes.            |
| 1                 | The embedded module will accept incoming faxes (default value) |

### 26.9.4. Parameter Storage

The <n> parameter is stored in EEPROM using AT&W command. The default value can be restored using AT&F.

## 26.9.5. Examples

| Command  | Responses   |
|----------|-------------|
| AT+FCR=? | (0,1)<br>OK |
| AT+FCR=1 | OK          |
| AT+FCR?  | 1<br>OK     |

## 26.10. Current Session Parameters +FDIS



### 26.10.1. Description

This command allows the DTE to configure the capabilities used for the current session.

The +FDIS unsolicited response reports remote capabilities.

The +FDIS unsolicited response reports current session capabilities.

### 26.10.2. Syntax

#### Action command

```
AT+FDIS=[<vr>] [, [<br>] [, [<wd>] [, [<ln>] [, [<df>] [, [<ec>] [, [<bf>] [, [<st>]]]]]]]]
```

OK

#### Read command

```
AT+FDIS?
```

```
<vr>, <br>, <wd>, <ln>, <df>, <ec>, <bf>, <st>
```

OK

#### Test command

```
AT+FDIS=?
```

```
(list of supported <vr>s), (list of supported <br>s), (list of supported <wd>s), (list  
of supported <ln>s), (list of supported <df>s), (list of supported <ec>s), (list of  
supported <bf>s), (list of supported <st>s)
```

OK

#### Unsolicited response

```
+FDIS: <remote_vr>, <br>, <wd>, <ln>, <df>, <ec>, <bf>, <st>
```

```
+FDIS: <remote_vr>, <br>, <wd>, <ln>, <df>, <ec>, <bf>, <st>
```

### 26.10.3. Parameters and Defined Values

|                           |      |                                                                                         |
|---------------------------|------|-----------------------------------------------------------------------------------------|
| <b>&lt;vr&gt;:</b>        |      | vertical resolution                                                                     |
|                           | 0    | normal: 98 LPI (default value)                                                          |
|                           | 1    | fine: 196 LPI                                                                           |
| <b>&lt;remote_vr&gt;:</b> |      | remote vertical resolution (bitfield)                                                   |
|                           | 0x01 | R8 ´ 7.7 l/mm, Fine (196 LPI)                                                           |
|                           | 0x02 | R8 ´ 15.4 l/mm                                                                          |
|                           | 0x04 | R16 ´ 15.4 l/mm                                                                         |
|                           | 0x08 | 200 dpi ´ 100 l/25.4 mm                                                                 |
|                           | 0x10 | 200 dpi ´ 200 l/25.4 mm                                                                 |
|                           | 0x20 | 200 dpi ´ 400 l/25.4 mm                                                                 |
|                           | 0x40 | 300 dpi ´ 300 l/25.4 mm                                                                 |
| <b>&lt;br&gt;:</b>        |      | bit rate                                                                                |
|                           | 0    | 2400 bps (modem type V.27 ter)                                                          |
|                           | 1    | 4800 bps (modem type V.27 ter)                                                          |
|                           | 2    | 7200 bps (modem type V.29)                                                              |
|                           | 3    | 9600 bps (modem type V.29, V.17). (default value if "DATA144" feature IS NOT supported) |
|                           | 4    | 12000 bps (modem type V.33, V.17)<br>only when product supports "DATA144" feature       |
| <b>&lt;wd&gt;:</b>        |      | page width                                                                              |
|                           | 0    | 1728 pixels in 215 mm (default value)                                                   |
|                           | 1    | 2048 pixels in 255 mm                                                                   |
|                           | 2    | 2432 pixels in 303 mm                                                                   |



|                     |                         |                                      |                |
|---------------------|-------------------------|--------------------------------------|----------------|
| <b>&lt;ln&gt;</b> : | page length             |                                      |                |
|                     | 0                       | A4, 297 mm                           |                |
|                     | 1                       | B4, 364 mm                           |                |
|                     | 2                       | unlimited (default value)            |                |
| <b>&lt;df&gt;</b> : | data compression format |                                      |                |
|                     | 0                       | 1-D modified Huffman (default value) |                |
|                     | 1                       | 2-D modified read                    |                |
|                     | 2                       | 2-D uncompressed mode                |                |
|                     | 3                       | 2-D modified modified read           |                |
| <b>&lt;ec&gt;</b> : | error correction        |                                      |                |
|                     | 0                       | disable Fax ECM                      |                |
| <b>&lt;bf&gt;</b> : | binary file transfer    |                                      |                |
|                     | 0                       | disable                              |                |
| <b>&lt;st&gt;</b> : | scan time per line      |                                      |                |
|                     |                         | if <vr>=0                            | if <vr>=1      |
|                     | 0                       | 0 ms (default)                       | 0 ms (default) |
|                     | 1                       | 5 ms                                 | 5 ms           |
|                     | 2                       | 10 ms                                | 5 ms           |
|                     | 3                       | 10 ms                                | 10 ms          |
|                     | 4                       | 20 ms                                | 10 ms          |
|                     | 5                       | 20 ms                                | 20 ms          |
|                     | 6                       | 40 ms                                | 20 ms          |
|                     | 7                       | 40 ms                                | 40 ms          |

## 26.10.4. Parameter Storage

The parameters are stored in EEPROM using the AT&W command. The default value can be restored using AT&F.

## 26.10.5. Examples

| Command                                            | Responses                                                   |
|----------------------------------------------------|-------------------------------------------------------------|
| <b>AT+FDIS=?</b>                                   | (0,1), (0-5), (0-2), (0-2), (0-3),<br>(0), (0), (0-7)<br>OK |
| <b>AT+FDIS=, 4</b><br><i>Note: Change bit rate</i> | OK                                                          |
| <b>AT+FDIS?</b>                                    | 0, 4, 0, 2, 0, 0, 0, 0<br>OK                                |

## 26.11. DCE Capabilities Parameters +FDCC



### 26.11.1. Description

This command allows the DTE to configure the capabilities used for the any session.

### 26.11.2. Syntax

#### Action command

```
AT+FDCC=[<vr>] [, [<br>] [, [<wd>] [, [<ln>] [, [<df>] [, [<ec>] [, [<bf>] [, [<st>]]]]]]]]
```

OK

#### Read command

```
AT+FDCC?
```

```
<vr>, <br>, <wd>, <ln>, <df>, <ec>, <bf>, <st>
```

OK

#### Test command

```
AT+FDCC=?
```

```
(list of supported <vr>s), (list of supported <br>s), (list of supported <wd>s), (list  
of supported <ln>s), (list of supported <df>s), (list of supported <ec>s), (list of  
supported <bf>s), (list of supported <st>s)
```

OK

### 26.11.3. Parameters and Defined Values

|                    |                                |
|--------------------|--------------------------------|
| <b>&lt;vr&gt;:</b> | vertical resolution            |
| 0                  | normal: 98 LPI (default value) |
| 1                  | fine: 196 LPI                  |

|                   |                                                                                                                                      |
|-------------------|--------------------------------------------------------------------------------------------------------------------------------------|
| <b>&lt;br&gt;</b> | bit rate                                                                                                                             |
| 0                 | 2400 bps (modem type V.27 ter)                                                                                                       |
| 1                 | 4800 bps (modem type V.27 ter)                                                                                                       |
| 2                 | 7200 bps (modem type V.29)                                                                                                           |
| 3                 | 9600 bps (modem type V.29, V.17). (default value if "DATA144" feature IS NOT supported)                                              |
| 4                 | 12000 bps (modem type V.33, V.17)<br>only when product supports "DATA144" feature                                                    |
| 5                 | 14400 bps (modem type V.33, V.17). (default value if "DATA144" feature IS supported)<br>only when product supports "DATA144" feature |
| <b>&lt;wd&gt;</b> | page width                                                                                                                           |
| 0                 | 1728 pixels in 215 mm (default value)                                                                                                |
| 1                 | 2048 pixels in 255 mm                                                                                                                |
| 2                 | 2432 pixels in 303 mm                                                                                                                |
| <b>&lt;ln&gt;</b> | page length                                                                                                                          |
| 0                 | A4, 297 mm                                                                                                                           |
| 1                 | B4, 364 mm                                                                                                                           |
| 2                 | unlimited (default value)                                                                                                            |
| <b>&lt;df&gt;</b> | data compression format                                                                                                              |
| 0                 | 1-D modified Huffman (default value)                                                                                                 |
| 1                 | 2-D modified read                                                                                                                    |
| 2                 | 2-D uncompressed mode                                                                                                                |
| 3                 | 2-D modified modified read                                                                                                           |
| <b>&lt;ec&gt;</b> | error correction                                                                                                                     |
| 0                 | disable Fax ECM                                                                                                                      |
| <b>&lt;bf&gt;</b> | binary file transfer                                                                                                                 |
| 0                 | disable                                                                                                                              |

| <st>: | scan time per line |                |
|-------|--------------------|----------------|
|       | if <vr>=0          | if <vr>=1      |
| 0     | 0 ms (default)     | 0 ms (default) |
| 1     | 5 ms               | 5 ms           |
| 2     | 10 ms              | 5 ms           |
| 3     | 10 ms              | 10 ms          |
| 4     | 20 ms              | 10 ms          |
| 5     | 20 ms              | 20 ms          |
| 6     | 40 ms              | 20 ms          |
| 7     | 40 ms              | 40 ms          |

## 26.11.4. Parameter Storage

The parameters are stored in EEPROM using the AT&W command. The default value can be restored using AT&F.

## 26.11.5. Examples

| Command                                     | Responses                                                   |
|---------------------------------------------|-------------------------------------------------------------|
| AT+FDCC=?                                   | (0,1), (0-5), (0-2), (0-2), (0-3),<br>(0), (0), (0-7)<br>OK |
| AT+FDCC=, 4<br><i>Note: Change bit rate</i> | OK                                                          |
| AT+FDCC?                                    | 0,4,0,2,0,0,0,0<br>OK                                       |

## 26.12. Local ID String +FLID



### 26.12.1. Description

This command defines or queries the local ID string.

### 26.12.2. Syntax

*Action command*

**AT+FLID=<string>**

OK

*Read command*

**AT+FLID?**

<string>

OK

*Test command*

**AT+FLID=?**

(<nb\_characters>), (list of supported <ascii\_code>s)

OK

### 26.12.3. Parameters and Defined Values

|                        |                                                               |
|------------------------|---------------------------------------------------------------|
| <b>&lt;string&gt;:</b> | local ID string<br>string type<br>default value: empty string |
|------------------------|---------------------------------------------------------------|

|                               |                                                                   |
|-------------------------------|-------------------------------------------------------------------|
| <b>&lt;nb_characters&gt;:</b> | maximum number of characters<br>integer type<br>default value: 20 |
|-------------------------------|-------------------------------------------------------------------|

|                            |                                     |
|----------------------------|-------------------------------------|
| <b>&lt;ascii_code&gt;:</b> | allowed ASCII code<br>range: 32-127 |
|----------------------------|-------------------------------------|

## 26.12.4. Parameter Storage

The <string> parameter is stored in EEPROM using the AT&W command. The default value can be restored using AT&F.

## 26.12.5. Examples

| Command                   | Responses             |
|---------------------------|-----------------------|
| AT+FLID=?                 | (20), (32-127)<br>OK  |
| AT+FLID="local ID string" | OK                    |
| AT+FLID?                  | local ID string<br>OK |

## 26.13. Page Transfer Timeout Parameter +FPHCTO



### 26.13.1. Description

This command sets the time interval during which the embedded module expects another page before it assumes there are no more pages and aborts.

### 26.13.2. Syntax

*Action command*

```
AT+FPHCTO=<time_out>  
OK
```

*Read command*

```
AT+FPHCTO?  
<time_out>  
OK
```

*Test command*

```
AT+FPHCTO=?  
(list of supported <time_out>s)  
OK
```

### 26.13.3. Parameters and Defined Values

|                          |                                                                                         |
|--------------------------|-----------------------------------------------------------------------------------------|
| <b>&lt;time_out&gt;:</b> | waiting period for another page in units of 100 ms.<br>range: 0-255 (default value: 30) |
|--------------------------|-----------------------------------------------------------------------------------------|

### 26.13.4. Parameter Storage

The <time\_out> parameter is stored in EEPROM using the AT&W command. The default value can be restored using AT&F.



## 26.13.5. Examples

| Command      | Responses     |
|--------------|---------------|
| AT+FPHCTO=?  | (0-255)<br>OK |
| AT+FPHCTO=50 | OK            |
| AT+FPHCTO?   | 50<br>OK      |

## 26.14. Additional Fax Class 2 indication messages



### 26.14.1. Description

The following messages are used to indicate DCE Responses. They are used in communication only.

The +FCON response indicates a connection with a fax machine.

The +FCFR response indicates confirmation to receive.

The +FTSI response reports the received transmit station ID string.

The +FCSI response reports the received called station ID string.

The +FHNG response reports the hang-up cause. It indicates that the call has been terminated.

### 26.14.2. Syntax

*Unsolicited response*

```
+FCON
```

*Unsolicited response*

```
+FCFR
```

*Unsolicited response*

```
+FTSI: "<string>"
```

*Unsolicited response*

```
+FCSI: "<string>"
```

*Unsolicited response*

```
+FHNG: <cause>
```

### 26.14.3. Parameters and Defined Values

|                        |                                 |
|------------------------|---------------------------------|
| <b>&lt;cause&gt;:</b>  | hang-up cause                   |
| 0-9                    | normal end of connection.       |
| 10-19                  | transmit phase A error          |
| 20-39                  | transmit phase B error          |
| 40-49                  | transmit phase C error          |
| 50-69                  | transmit phase D error          |
| 70-89                  | receive phase B error           |
| 90-99                  | receive phase C error           |
| 100-119                | receive phase D error           |
| <b>&lt;string&gt;:</b> | remote ID string<br>string type |

### 26.14.4. Parameter Storage

None.

### 26.14.5. Examples

None.

## »» 27. Remote Device Management Services Commands

### 27.1. Device Services Configuration +WDSC



#### 27.1.1. Description

This Sierra Wireless proprietary command allows a user to configure:

- the user agreement for connection, package download and package install
- the polling mode to make a connection to the Device Services server
- the retry mode to attempt a new connection to the server when the GPRS service is temporarily out of order or when a http error occurs
- the mode of automatic registration to the AirPrime Management Services server

#### 27.1.2. Syntax

- For <Mode>= 0,1,2,3

*Action command*

```
AT+WDSC=<Mode>,<State>
```

OK

- For <Mode>=4

*Action command*

```
AT+WDSC=<Mode>,<Timer_1>[[,<Timer_2>]...[,<Timer_n>]]
```

OK

- For <Mode>=5

*Action command*

```
AT+WDSC=<Mode>,<Config>[,<ValidityPeriod>]
```

OK

*Read command*

**AT+WDSC?**

```
+WDSC: 0,<State>
+WDSC: 1,<State>
+WDSC: 2,<State>
+WDSC: 3,<State>
+WDSC: 4,<Timer_1>[[,<Timer_2>]...[,<Timer_n>]]
+WDSC: 5,<State>,[<ValidityPeriod>]
OK
```

*Test command*

**AT+WDSC=?**

```
+WDSC: (list of supported <Mode>s), (list of supported <State>s) [, (list of supported <Timer_n>s)]
OK
```

### 27.1.3. Parameters and Defined Values

| <Mode>: | Mode                                                                                                                                                                                                                                                                                                                                          |
|---------|-----------------------------------------------------------------------------------------------------------------------------------------------------------------------------------------------------------------------------------------------------------------------------------------------------------------------------------------------|
| 0       | <p>User agreement for connection</p> <p>When this mode is activated and when a notification SMS is received by the embedded module, an indication (see <a href="#">+WDSI</a> indication for more information) is returned by the embedded module to request for an agreement before connecting to the AirPrime Management Services server</p> |
| 1       | <p>User agreement for package download</p> <p>When this mode is activated, an indication (see <a href="#">+WDSI</a> indication for more information) is returned by the embedded module to request for an agreement before downloading any package</p>                                                                                        |
| 2       | <p>User agreement for package install</p> <p>When this mode is activated, an indication (see <a href="#">+WDSI</a> indication for more information) is returned by the embedded module to request for an agreement before installing any package</p>                                                                                          |
| 3       | <p>Polling mode</p> <p>The embedded module will initiate a connection to the Device Services server according to the defined timer</p>                                                                                                                                                                                                        |
| 4       | <p>Retry mode</p> <p>If an error occurs during a connection to the Device Services server (GPRS establishment failed, http error code received), the embedded module will initiate a new connection according to the defined timers. This mechanism is persistent to the reset</p>                                                            |

|                                                                                                                                                                                                                                                                                                                                  |                                                                                                                                                                                                                                                                                                                                                                                                                                                                                                        |
|----------------------------------------------------------------------------------------------------------------------------------------------------------------------------------------------------------------------------------------------------------------------------------------------------------------------------------|--------------------------------------------------------------------------------------------------------------------------------------------------------------------------------------------------------------------------------------------------------------------------------------------------------------------------------------------------------------------------------------------------------------------------------------------------------------------------------------------------------|
| 5                                                                                                                                                                                                                                                                                                                                | <p>An automatic registration to the AirPrime Management Services server can be configured with this command:</p> <ul style="list-style-type: none"> <li>- network registration: the registration is done by a GPRS connection to the server</li> <li>- MSISDN registration: the registration is performed by sending a SMS to the server (this configuration is useful to obtain the MSISDN of the embedded module by the server)</li> </ul> <p>The registration is performed using +WDSS command.</p> |
| <b>&lt;State&gt;:</b> Status of the mode                                                                                                                                                                                                                                                                                         |                                                                                                                                                                                                                                                                                                                                                                                                                                                                                                        |
| For <Mode> = 0,1 and 2:                                                                                                                                                                                                                                                                                                          |                                                                                                                                                                                                                                                                                                                                                                                                                                                                                                        |
| 0                                                                                                                                                                                                                                                                                                                                | disabled (default value)                                                                                                                                                                                                                                                                                                                                                                                                                                                                               |
| 1                                                                                                                                                                                                                                                                                                                                | enabled                                                                                                                                                                                                                                                                                                                                                                                                                                                                                                |
| For <Mode> = 3: Value in range [0-525600] (units: min)                                                                                                                                                                                                                                                                           |                                                                                                                                                                                                                                                                                                                                                                                                                                                                                                        |
| 0                                                                                                                                                                                                                                                                                                                                | the polling mode is deactivated                                                                                                                                                                                                                                                                                                                                                                                                                                                                        |
| For <Mode> = 5:                                                                                                                                                                                                                                                                                                                  |                                                                                                                                                                                                                                                                                                                                                                                                                                                                                                        |
| 0                                                                                                                                                                                                                                                                                                                                | No registration is configured                                                                                                                                                                                                                                                                                                                                                                                                                                                                          |
| 1                                                                                                                                                                                                                                                                                                                                | MSISDN registration is configured                                                                                                                                                                                                                                                                                                                                                                                                                                                                      |
| 2                                                                                                                                                                                                                                                                                                                                | Network registration is configured                                                                                                                                                                                                                                                                                                                                                                                                                                                                     |
| <b>&lt;Timer_1&gt;:</b> Timer between the first failed connection and the next attempt<br>Value in range [0 to 20160] (units: min)<br>With value 0, the retry mode is deactivated<br>Default value: 15                                                                                                                           |                                                                                                                                                                                                                                                                                                                                                                                                                                                                                                        |
| <b>&lt;Timer_n&gt;:</b> Timer between the n <sup>th</sup> failed attempt connection and the (n+1) <sup>th</sup> connection (n<=8)<br>Value in range [1 to 20160] (units: min)<br>Default values:<br><Timer_2>=60<br><Timer_3>=240<br><Timer_4>=960<br><Timer_5>=2880<br><Timer_6>=10080<br><Timer_7>=10080<br><Timer_8> not used |                                                                                                                                                                                                                                                                                                                                                                                                                                                                                                        |
| <b>&lt;Config&gt;</b> Configuration of the automatic registration                                                                                                                                                                                                                                                                |                                                                                                                                                                                                                                                                                                                                                                                                                                                                                                        |
| 1                                                                                                                                                                                                                                                                                                                                | MSISDN configuration enabled                                                                                                                                                                                                                                                                                                                                                                                                                                                                           |
| 2                                                                                                                                                                                                                                                                                                                                | Network configuration enabled                                                                                                                                                                                                                                                                                                                                                                                                                                                                          |

| <b>&lt;ValidityPeriod&gt;</b>        | Validity period of the SMS sent during the MSISDN registration                                                                                                                                                                                                                                                                                                                                                                                                                                                                           |                                      |                               |          |                                                  |            |                                                                  |            |                                                |            |                                                 |
|--------------------------------------|------------------------------------------------------------------------------------------------------------------------------------------------------------------------------------------------------------------------------------------------------------------------------------------------------------------------------------------------------------------------------------------------------------------------------------------------------------------------------------------------------------------------------------------|--------------------------------------|-------------------------------|----------|--------------------------------------------------|------------|------------------------------------------------------------------|------------|------------------------------------------------|------------|-------------------------------------------------|
|                                      | This parameter is also used to arm a timer to re-try the MSISDN registration                                                                                                                                                                                                                                                                                                                                                                                                                                                             |                                      |                               |          |                                                  |            |                                                                  |            |                                                |            |                                                 |
|                                      | This parameter is only available when the MSISDN registration is enabled.                                                                                                                                                                                                                                                                                                                                                                                                                                                                |                                      |                               |          |                                                  |            |                                                                  |            |                                                |            |                                                 |
|                                      | Default value: 167 (1 day)                                                                                                                                                                                                                                                                                                                                                                                                                                                                                                               |                                      |                               |          |                                                  |            |                                                                  |            |                                                |            |                                                 |
|                                      | Coding:                                                                                                                                                                                                                                                                                                                                                                                                                                                                                                                                  |                                      |                               |          |                                                  |            |                                                                  |            |                                                |            |                                                 |
|                                      | <table border="1"> <thead> <tr> <th><b>&lt;ValidityPeriod&gt; value:</b></th> <th><b>Validity period value:</b></th> </tr> </thead> <tbody> <tr> <td>0 to 143</td> <td>(<b>&lt;ValidityPeriod&gt;</b> + 1) x 5 minutes</td> </tr> <tr> <td>144 to 167</td> <td>12 hours + ((<b>&lt;ValidityPeriod&gt;</b> - 143) x 30 minutes)</td> </tr> <tr> <td>168 to 196</td> <td>(<b>&lt;ValidityPeriod&gt;</b> - 166) x 1 day</td> </tr> <tr> <td>197 to 255</td> <td>(<b>&lt;ValidityPeriod&gt;</b> - 192) x 1 week</td> </tr> </tbody> </table> | <b>&lt;ValidityPeriod&gt; value:</b> | <b>Validity period value:</b> | 0 to 143 | ( <b>&lt;ValidityPeriod&gt;</b> + 1) x 5 minutes | 144 to 167 | 12 hours + (( <b>&lt;ValidityPeriod&gt;</b> - 143) x 30 minutes) | 168 to 196 | ( <b>&lt;ValidityPeriod&gt;</b> - 166) x 1 day | 197 to 255 | ( <b>&lt;ValidityPeriod&gt;</b> - 192) x 1 week |
| <b>&lt;ValidityPeriod&gt; value:</b> | <b>Validity period value:</b>                                                                                                                                                                                                                                                                                                                                                                                                                                                                                                            |                                      |                               |          |                                                  |            |                                                                  |            |                                                |            |                                                 |
| 0 to 143                             | ( <b>&lt;ValidityPeriod&gt;</b> + 1) x 5 minutes                                                                                                                                                                                                                                                                                                                                                                                                                                                                                         |                                      |                               |          |                                                  |            |                                                                  |            |                                                |            |                                                 |
| 144 to 167                           | 12 hours + (( <b>&lt;ValidityPeriod&gt;</b> - 143) x 30 minutes)                                                                                                                                                                                                                                                                                                                                                                                                                                                                         |                                      |                               |          |                                                  |            |                                                                  |            |                                                |            |                                                 |
| 168 to 196                           | ( <b>&lt;ValidityPeriod&gt;</b> - 166) x 1 day                                                                                                                                                                                                                                                                                                                                                                                                                                                                                           |                                      |                               |          |                                                  |            |                                                                  |            |                                                |            |                                                 |
| 197 to 255                           | ( <b>&lt;ValidityPeriod&gt;</b> - 192) x 1 week                                                                                                                                                                                                                                                                                                                                                                                                                                                                                          |                                      |                               |          |                                                  |            |                                                                  |            |                                                |            |                                                 |

### 27.1.4. Parameter Storage

The <State>, <Timer\_1> and <Timer\_n>, <Config> and <ValidityPeriod> parameters are stored in non-volatile memory without sending &W command. &F command has no impact on these values.

### 27.1.5. Examples

| Command             | Responses                                                                                                                                                                                                                             |
|---------------------|---------------------------------------------------------------------------------------------------------------------------------------------------------------------------------------------------------------------------------------|
| <b>AT+WDSC=?</b>    | +WDSC: (0-2), (0-1)<br>+WDSC: 3, (0-525600)<br><br>+WDSC: 4, (0-20160), (1-20160), (1-20160), (1-20160), (1-20160), (1-20160), (1-20160), (1-20160), (1-20160)<br><br>+WDSC: 5, (1, 2), (0-255)<br>OK                                 |
| <b>AT+WDSC?</b>     | +WDSC: 0, 0<br>+WDSC: 1, 0<br>+WDSC: 2, 0<br>+WDSC: 3, 0<br><br>+WDSC: 4, 15, 60, 240, 960, 2880, 10080, 10080<br><br>+WDSC: 5, 0<br>OK<br><br><i>Note: All modes are deactivated except retry mode which used the default timers</i> |
| <b>AT+WDSC=0, 1</b> | OK                                                                                                                                                                                                                                    |

| Command     | Responses                                                                                                                       |
|-------------|---------------------------------------------------------------------------------------------------------------------------------|
| AT+WDSC?    | +WDSC: 0,1<br>+WDSC: 1,0<br>+WDSC: 2,0<br>+WDSC: 3,0<br><br>+WDSC: 4,15,60,240,960,2880,10080,<br>10080<br><br>+WDSC: 5,0<br>OK |
| AT+WDSC=5,1 | OK                                                                                                                              |
| AT+WDSC?    | +WDSC: 0,1<br>+WDSC: 1,0<br>+WDSC: 2,0<br>+WDSC: 3,0<br>+WDSC: 4,15,60,240,960,2880,10080,<br>10080<br>+WDSC: 5,1,167<br>OK     |

## 27.1.6. Notes

The switch between the two registration modes is not possible when a registration mode has been set.

When the registration has failed, a new registration (same or different) can be set again.

In network registration case, the registration is considered as “failed” when all connections configured by the retry mode have failed. This registration is forbidden while the APN is not set by the +WDSS command.

In MSISDN registration case, a new SMS is sent when:

- the time since the last registration SMS sent reaches the validity period <ValidyPeriod>
- the SMS was not acknowledged by a SMS report
- no SMS was received from the AirPrime Management Services server

Four new attempts are made before the registration. When all attempts are made and a SMS is received from the server, the registration state (see [+WDSI](#) command) changes from “failed” to “done”.



## 27.2. Device Services Error +WDSE



### 27.2.1. Description

This Sierra Wireless proprietary command allows a user to know the last HTTP response received by the device.

### 27.2.2. Syntax

*Action command*

**AT+WDSE**

[+WDSE: <HTTP\_Status>]

OK

*Read command*

None

*Test command*

None

### 27.2.3. Parameters and Defined Values

| <HTTP_Status>: | Last HTTP response received by the embedded module |
|----------------|----------------------------------------------------|
| 100            | continue                                           |
| 101            | switching protocols                                |
| 200            | ok                                                 |
| 201            | created                                            |
| 202            | accepted                                           |
| 203            | non-authoritative information                      |
| 204            | no content                                         |
| 205            | reset content                                      |

|     |                                 |
|-----|---------------------------------|
| 206 | partial content                 |
| 300 | multiple choices                |
| 301 | moved permanently               |
| 302 | found                           |
| 303 | see other                       |
| 304 | not modified                    |
| 305 | use proxy                       |
| 307 | temporary redirect              |
| 400 | bad request                     |
| 401 | unauthorized                    |
| 402 | payment required                |
| 403 | forbidden                       |
| 404 | not found                       |
| 405 | method not allowed              |
| 406 | not acceptable                  |
| 407 | proxy authentication required   |
| 408 | request time-out                |
| 409 | conflict                        |
| 410 | gone                            |
| 411 | length required                 |
| 412 | precondition failed             |
| 413 | request entity too large        |
| 414 | request-uri too large           |
| 415 | unsupported media type          |
| 416 | requested range not satisfiable |
| 417 | expectation failed              |
| 500 | internal server error           |
| 501 | not implemented                 |
| 502 | bad gateway                     |

|     |                            |
|-----|----------------------------|
| 503 | service unavailable        |
| 504 | gateway time-out           |
| 505 | http version not supported |

---

*Note:* If no session was made with the server, AT+WDSE only returns with OK response, without any +WDSE: <HTTP\_Status> response.

---

## 27.2.4. Parameter Storage

No parameter storage.

## 27.2.5. Examples

| Command     | Responses                                                                                      |
|-------------|------------------------------------------------------------------------------------------------|
| AT+WDSS=1,1 | OK<br><i>Note: A session was made with the server.</i>                                         |
| AT+WDSE     | +WDSE: 200<br>OK<br><i>Note: The last HTTP response received by the embedded module is OK.</i> |

## 27.2.6. Notes

This command returns +CME ERROR: 3 when:

- a parameter is filled
- the Device services are not in ACTIVATED state (see [+WDSG](#) command for more information)

## 27.3. Device Services Fallback +WDSF



### 27.3.1. Description

This Sierra Wireless proprietary command allows a user to get back a previous installation or to delete a package (only if a reverse patch is present).

### 27.3.2. Syntax

*Action command*

```
AT+WDSF=<Mode>
```

OK

*Read command*

```
AT+WDSF?
```

```
+WDSF: 1,<FallbackInfo>
```

```
+WDSF: 2,<EraseInfo>
```

OK

*Test command*

```
AT+WDSF=?
```

```
+WDSF: (1,2)
```

OK

### 27.3.3. Parameters and Defined Values

| <Mode>: | Mode                                                         |
|---------|--------------------------------------------------------------|
| 1       | downgrade to a previous installation                         |
| 2       | delete the download package which contains the reverse patch |

|                              |  |                                                                                                                                                                                                                                                                                             |
|------------------------------|--|---------------------------------------------------------------------------------------------------------------------------------------------------------------------------------------------------------------------------------------------------------------------------------------------|
| <b>&lt;FallbackInfo&gt;:</b> |  | Indicate the presence of the previous package                                                                                                                                                                                                                                               |
| 0                            |  | previous package is not present                                                                                                                                                                                                                                                             |
| 1                            |  | previous package is present                                                                                                                                                                                                                                                                 |
| <b>&lt;EraseInfo&gt;:</b>    |  | Indicate if a package can be deleted. This case is only available if A&D memory was pre-empted to allow the package download (See <a href="#">+WDSI</a> command for more information). Be careful, erasing the package will disable the possibility to make any recovery or manual fallback |
| 0                            |  | package cannot be deleted                                                                                                                                                                                                                                                                   |
| 1                            |  | package can be deleted                                                                                                                                                                                                                                                                      |

### 27.3.4. Parameter Storage

The parameters are not stored.

### 27.3.5. Examples

| Command          | Responses                                                                                                  |
|------------------|------------------------------------------------------------------------------------------------------------|
| <b>AT+WDSF?</b>  | +WDSF: 1,1<br>+WDSF: 2,0<br>OK<br><i>Note: A reverse package is present, no A&amp;D memory pre-emption</i> |
| <b>AT+WDSF=1</b> | OK<br><i>Note: Downgrade to the previous installation</i>                                                  |
|                  | +WDSI: 17,1<br><i>Note: Downgrade the package successfully done.</i>                                       |

### 27.3.6. Notes

The result of the operation (+WDSI) is displayed only if +WDSI indication is activated (see [+WDSI](#) for more information)

## 27.4. Device Services General status +WDSG



### 27.4.1. Description

This Sierra Wireless proprietary command returns some general status about Device Services.

### 27.4.2. Syntax

#### *Action command*

**AT+WDSG**

+WDSG: <Indication>,<State>

[+WDSG: <Indication>,<State> [...]]

OK

#### *Read command*

None

#### *Test command*

**AT+WDSG=?**

OK

### 27.4.3. Parameters and Defined Values

| <Indication>: | Indication                       |
|---------------|----------------------------------|
| 0             | device services activation state |
| 1             | session and package indication   |

|                                               |                                                                                                                                                                                                                                                                                                                                                                                                                                                                                                     |
|-----------------------------------------------|-----------------------------------------------------------------------------------------------------------------------------------------------------------------------------------------------------------------------------------------------------------------------------------------------------------------------------------------------------------------------------------------------------------------------------------------------------------------------------------------------------|
| <b>&lt;State&gt;:</b> Status of an indication |                                                                                                                                                                                                                                                                                                                                                                                                                                                                                                     |
| For <Indication>=0                            |                                                                                                                                                                                                                                                                                                                                                                                                                                                                                                     |
| 0                                             | device services are prohibited. Device services will never be activated                                                                                                                                                                                                                                                                                                                                                                                                                             |
| 1                                             | device services are deactivated. Connection parameters to a Device Services server have to be provisioned                                                                                                                                                                                                                                                                                                                                                                                           |
| 2                                             | device services have to be provisioned. NAP parameters have to be provisioned                                                                                                                                                                                                                                                                                                                                                                                                                       |
| 3                                             | <p>device services are activated</p> <p>If a device has never been activated (first used of device services on this device), the &lt;State&gt; is set to 1</p> <p>The connection parameters are automatically provisioned, no action are needed by the user (&lt;State&gt;=2 or &lt;State&gt;=3)</p> <p>The device will be activated (&lt;State&gt;=3) when a dedicated NAP will be set manually or automatically at the first session (see <a href="#">+WDSS</a> command for more information)</p> |
| For <Indication>=1                            |                                                                                                                                                                                                                                                                                                                                                                                                                                                                                                     |
| 0                                             | no session or package                                                                                                                                                                                                                                                                                                                                                                                                                                                                               |
| 1                                             | a session is under treatment                                                                                                                                                                                                                                                                                                                                                                                                                                                                        |
| 2                                             | a package is available on the server                                                                                                                                                                                                                                                                                                                                                                                                                                                                |
| 3                                             | <p>a package was downloaded and ready to install</p> <p>When a package was installed or not (not certified to be sent by the AirPrime Management Services server, see <a href="#">+WDSI</a> command for more information) or a recovery was made, the &lt;State&gt; is set to 0.</p>                                                                                                                                                                                                                |

### 27.4.4. Parameter Storage

No storage.

### 27.4.5. Examples

| Command   | Responses                                                                                                                                                |
|-----------|----------------------------------------------------------------------------------------------------------------------------------------------------------|
| AT+WDSG=? | OK                                                                                                                                                       |
| AT+WDSG   | <p>+WDSG: 0,3<br/>+WDSG: 1,0<br/>OK</p> <p><i>Note: Device services are activated, no session to the server, no patch to download or to install.</i></p> |

## 27.5. Device Services Reply +WDSR



### 27.5.1. Description

This Sierra Wireless proprietary command allows a user to respond to the Device Services server request when user agreement is requested for connection, download and/or package install (see [+WDSI](#) command for more information).

### 27.5.2. Syntax

*Action command*

**AT+WDSR=<Reply>[,<Timer>]**

OK

*Read command*

None

*Test command*

**AT+WDSR=?**

+WDSR: (list of supported <Reply>s), (list of supported <Timer>s)

OK

### 27.5.3. Parameters and Defined Values

**<Reply>:**

Reply to a user agreement request (see [+WDSI](#) command description for more information) from the embedded module

|   |                                              |
|---|----------------------------------------------|
| 0 | delay or refuse the connection to the server |
| 1 | accept the connection to the server          |
| 2 | delay or refuse to download                  |
| 3 | accept the download (download now)           |
| 4 | accept the install (Install now)             |
| 5 | delay the install (Install later)            |



**<Timer>:** Timer until a new User agreement request is returned by the embedded module  
 This parameter is only available for <Reply>=0, 2 and 5  
 Units: minutes (0-1440)  
 When this value is not filled, a default value is set to 30 minutes later  
 Value 0 indicates that the application refuses the user agreement (impossible for <Reply>=5)

## 27.5.4. Parameter Storage

No parameter storage.

## 27.5.5. Examples

| Command      | Responses                                                                                                                                                  |
|--------------|------------------------------------------------------------------------------------------------------------------------------------------------------------|
| AT+WDSR=?    | +WDSR: (0-5), (0-1440)<br>OK                                                                                                                               |
|              | +WDSI: 1<br><i>Note: The Device Services server requests the device to make a connection to the server. The user is requested to allow the connection.</i> |
| AT+WDSR=1    | OK                                                                                                                                                         |
|              | +WDSI: 3<br><i>Note: A user agreement is requested to install a package</i>                                                                                |
| AT+WDSR=5,10 | OK<br><i>Note: A delay (10 minutes) is requested.</i>                                                                                                      |
|              | +WDSI: 3<br><i>Note: 10 minutes later, a new user agreement is requested to install a package.</i>                                                         |
| AT+WDSR=4    | OK<br><i>Note: The install is requested.</i>                                                                                                               |

## 27.5.6. Notes

It is not possible to refuse an install request (AT+WDSR=5,0), which will return +CME ERROR: 3 response.

After an install delay, if the embedded module is powered-down, it is not powered-on and the new user agreement request will be returned during the next start up.

## 27.6. Device Services Session +WDSS



### 27.6.1. Description

This Sierra Wireless proprietary command allows a user to configure a dedicated NAP and to initiate a connection to the Device Services server.

This command is also used to activate an automatic registration to the AirPrime Management Services server.

### 27.6.2. Syntax

- For <Mode>=0

*Action command*

```
AT+WDSS=<Mode>,<Apn>[,<User>[,<Pwd>]]
```

OK

- For <Mode>=1

*Action command*

```
AT+WDSS=<Mode>,<Action>
```

OK

- For <Mode>=2

*Action command*

```
AT+WDSS=<Mode>
```

OK

*Read command*

```
AT+WDSS?
```

```
[+WDSS: 0,<Apn>[,<User>]]
```

```
[+WDSS: 1,<Action>]
```

```
[+WDSS: 2,<State>]
```

OK

*Test command*

**AT+WDSS=?**

+WDSS: 0, (Max length for <Apn>), (Max length for <User>), (Max length for <Pwd>)

+WDSS: 1, (list of supported <Action>s for this <Mode>)

+WDSS: 2, (list of supported <State>)

OK

### 27.6.3. Parameters and Defined Values

|                        |                                                                                |
|------------------------|--------------------------------------------------------------------------------|
| <b>&lt;Mode&gt;:</b>   | Mode                                                                           |
| 0                      | PDP context configuration for Device Services                                  |
| 1                      | user initiated connection to the Device Services server                        |
| 2                      | activate the automatic registration                                            |
| <b>&lt;Apn&gt;:</b>    | access point name for Device Services<br>string type, up to 50 chars           |
| <b>&lt;User&gt;:</b>   | login for the APN<br>string type, up to 30 chars                               |
| <b>&lt;Pwd&gt;:</b>    | password for the APN<br>string type, up to 30 chars                            |
| <b>&lt;Action&gt;:</b> |                                                                                |
| For <Mode>=1 only      |                                                                                |
| 0                      | release the current connection to the Device Services server (default value)   |
| 1                      | establish a connection to the Device Services server                           |
| <b>&lt;State&gt;:</b>  | state of the automatic registration on the AirPrime Management Services server |
| 0                      | configuration is not set with +WDSC command                                    |
| 1                      | a registration mode is configured with +WDSC command                           |
| 2                      | registration is activated                                                      |
| 3                      | registration in progress                                                       |
| 4                      | registration failed                                                            |
| 5                      | registration done                                                              |

## 27.6.4. Parameter Storage

<User> and <Pwd> parameters are stored in flash without using &W command. &F has no effect on these parameters.

<Apn> parameter is stored in E2P.

## 27.6.5. Examples

| Command                                                                                                | Responses                                                                                                                                                                                        |
|--------------------------------------------------------------------------------------------------------|--------------------------------------------------------------------------------------------------------------------------------------------------------------------------------------------------|
| <b>AT+WDSS=?</b>                                                                                       | +WDSS: 0,50,30,30<br>+WDSS: 1,(0-1)<br>+WDSS: 2<br>OK                                                                                                                                            |
| <b>AT+WDSS?</b>                                                                                        | OK<br><i>Note: No APN is defined.</i>                                                                                                                                                            |
| <b>AT+WDSS=0,"Sierra Wireless"</b><br><i>Note: Define the APN for Device Services: Sierra Wireless</i> | OK                                                                                                                                                                                               |
| <b>AT+WDSS?</b>                                                                                        | +WDSS: 0,"Sierra Wireless"<br>+WDSS: 1,0<br>+WDSS: 2,0<br>OK<br><i>Note: No connection to the server and the used PDP context for the next connection is the one defined by the provisioning</i> |
| <b>AT+WDSS=1,1</b>                                                                                     | OK<br><i>Note: The user initiates a connection to the Device Services server</i>                                                                                                                 |
| <b>AT+WDSS=1,0</b>                                                                                     | OK<br><i>Note: The user releases the current connection to the Device Services server.</i>                                                                                                       |
| <b>AT+WDSS=2</b>                                                                                       | OK<br><i>Note: The automatic registration is performed (depend on the configuration set by +WDSC)</i>                                                                                            |

## 27.6.6. Notes

### 27.6.6.1. Activation of dedicated PDP context

When no dedicated NAP is defined using +WDSS command and a session is asked (by AT command or notify by SMS), the embedded module will use a NAP defined by +CGDCONT command to activate the dedicated PDP context. This NAP will be recorded to configure the NAP Device Services and it will be used to activate the dedicated PDP context for the next sessions.

When the PDP context cannot be activated because of bad AirPrime Management Services NAP configuration, the embedded module will use a NAP defined by +CGDCONT command to activate the dedicated PDP context (but the initial NAP configuration is not erased).

### 27.6.6.2. AT command behaviour

AT+WDSS? command returns only OK if no APN is defined.

When a request is sent to the embedded module to resume an inexistent or unsuspended session, +CME ERROR: 3 is returned.

When a request is sent to the embedded module to release an inexistent session, +CME ERROR: 3 is returned.

### 27.6.6.3. Registration information

The activation of the automatic registration depends on the configuration which was done with +WDSC:

- If the network registration was set, the embedded module try to connect to the AirPrime Management Services server with a GPRS connection
- If the MSISDN registration was set, a SMS is sent to the AirPrime Management Services server

The activation is done if the embedded module is registered on the network. If the embedded module is not registered when the command is performed, the activation will be done at the next network registration (even if the embedded module resets).

If MSISDN registration is configured, a new SMS is automatically sent when the SIM is changed.

No GPRS connection to the AirPrime Management Services server is possible when a registration is not completed.

#### 27.6.6.4. APN backup and +CGDCONT APN usage

When the APN backup mode is activated (see the +WDSM command description), the <Apn>, <User> and <Pwd> parameters can be updated by the firmware when the defined AMS APN, login and password are rejected at the PDP context activation. In this case, the firmware will try to activate a PDP context using each APN which are defined in the +CGDCONT command. Then, the APN and its authentication configuration (which are defined in the +WPPP command) are copied in the +WDSS command. If a PDP context activation succeeds, the original AMS APN and authentication configuration are copied back in the +WDSS command at the AMS session end.

When the +CGDCONT APN usage mode is activated (see the +WDSM command description), if the AMS APN is not filled in the +WDSS command, the module will use the APN which are defined by the +CGDCONT command. Each APN will be used until successful session activation. If an AMS session succeeds, the corresponding APN and its authentication configuration (see +WPPP command description) are copied in the +WDSS command and remain at the AMS session end.

## 27.7. Device Services Management +WDSM



### 27.7.1. Description

This Sierra Wireless proprietary command allows a user to configure:

- the GPRS APN to be used for an AMS session

### 27.7.2. Syntax

*Action command*

```
AT+WDSM=<Mode>,<State>
```

```
OK
```

*Read command*

```
AT+WDSM?
```

```
+WDSM: 0,<State>
```

```
+WDSM: 1,<State>
```

```
OK
```

*Test command*

```
AT+WDSM=?
```

```
+WDSM: (list of supported <Mode>s),(list of supported <State>s)
```

```
OK
```

### 27.7.3. Parameters and Defined Values

|                      |      |
|----------------------|------|
| <b>&lt;Mode&gt;:</b> | Mode |
|----------------------|------|

|                                          |                                                                                                                                                                                                                                                                                                                                                                                                                                                                                                                                                                                                                                                                                                                                                                                                                                                                                           |
|------------------------------------------|-------------------------------------------------------------------------------------------------------------------------------------------------------------------------------------------------------------------------------------------------------------------------------------------------------------------------------------------------------------------------------------------------------------------------------------------------------------------------------------------------------------------------------------------------------------------------------------------------------------------------------------------------------------------------------------------------------------------------------------------------------------------------------------------------------------------------------------------------------------------------------------------|
| 0                                        | <p>APN backup</p> <p>When this mode is activated, if the AMS APN (which is filled in the +WDSS command) is not correct (no sessions are possible), the module will use the APN which are defined by the +CGDCONT command.</p> <p>Default activation state: activated</p> <p>When this mode is activated, if the PDP session activation fails using the defined AMS APN and its authentication configuration, the &lt;Apn&gt;, &lt;User&gt; and &lt;Pwd&gt;. In this case, the firmware will try to activate a PDP context using each APN which are defined in the +CGDCONT command. Then, the APN and its authentication configuration (which are defined in the +WPPP command) are copied temporarily in the +WDSS command. If a PDP context activation succeeds, the original AMS APN and authentication configuration are copied back in the +WDSS command at the AMS session end.</p> |
| 1                                        | <p>+CGDCONT APN usage</p> <p>When this mode is activated, if the AMS APN is not filled in the +WDSS command, the module will use the APN which are defined by the +CGDCONT command. Each APN will be used until successful session activation. If an AMS session succeeds, the corresponding APN is copied in the +WDSS command and remains after the AMS session end..</p> <p>Default activation state: activated</p>                                                                                                                                                                                                                                                                                                                                                                                                                                                                    |
| <b>&lt;State&gt;:</b> Status of the mode |                                                                                                                                                                                                                                                                                                                                                                                                                                                                                                                                                                                                                                                                                                                                                                                                                                                                                           |
| 0                                        | disabled                                                                                                                                                                                                                                                                                                                                                                                                                                                                                                                                                                                                                                                                                                                                                                                                                                                                                  |
| 1                                        | enabled (default value)                                                                                                                                                                                                                                                                                                                                                                                                                                                                                                                                                                                                                                                                                                                                                                                                                                                                   |

### 27.7.4. Parameter Storage

<State> parameter is stored in non-volatile memory without sending &W command. &F command has no impact on these values.

### 27.7.5. Examples

| Command     | Responses                                                              |
|-------------|------------------------------------------------------------------------|
| AT+WDSM=?   | +WDSM: (0-1), (0-1)<br>OK                                              |
| AT+WDSM?    | +WDSM: 0,1<br>+WDSM: 1,1<br>OK<br><i>Note: All modes are activated</i> |
| AT+WDSM=0,0 | OK                                                                     |
| AT+WDSM?    | +WDSM: 0,0<br>+WDSM: 1,1<br>OK                                         |



## 27.7.6. Notes

This command is available when the Wireless CPU has finished its initialization (+WIND: 3) and when the RDMS services are not in prohibited state (see +WDSG command).  
No PIN code required, no SIM card required.

### 27.7.6.1. Results

This command returns OK when the command is proceed correctly.

Possible returned errors and explanation:

| ERROR Responses | Meaning                               |
|-----------------|---------------------------------------|
| +CME ERROR: 3   | parameter is out of range             |
| +CME ERROR: 655 | RDMS services are in PROHIBITED state |

### 27.7.6.2. New Results

None

## 27.8. Device Services Indications +WDSI



### 27.8.1. Description

This Sierra Wireless proprietary command allows the user to request some unsolicited indication for Device Services.

### 27.8.2. Syntax

*Action command*

```
AT+WDSI=<Level>
```

```
OK
```

*Read command*

```
AT+WDSI=?
```

```
[+WDSI: <Level>
```

```
OK
```

*Test command*

```
AT+WDSI=?
```

```
+WDSI: (list of supported <Level>s)
```

```
OK
```

*Unsolicited response*

```
+WDSI: <Event>[,Data]
```

### 27.8.3. Parameters and Defined Values

|                       |                                                                                                                               |
|-----------------------|-------------------------------------------------------------------------------------------------------------------------------|
| <b>&lt;Level&gt;:</b> | Indication level, bit field (default value = 0)<br>bit set to 0: indication deactivated<br>bit set to 1: indication activated |
| 0                     | no indication                                                                                                                 |
| 1 (bit 0)             | activate the initialization end indication (<Event>=0)                                                                        |
| 2 (bit 1)             | activate the server request for a user agreement indication (<Event>=1,2,3)                                                   |
| 4 (bit 2)             | activate the authentication indications (<Event> = 4 & 5)                                                                     |
| 8 (bit 3)             | activate the session start indication (<Event> = 6, 7 & 8)                                                                    |
| 16 (bit 4)            | activate the package download indications (<Event> = 9, 10 & 11)                                                              |
| 32 (bit 5)            | activate the certified downloaded package indication (<Event> = 12 & 13)                                                      |
| 64 (bit 6)            | activate the update indications (<Event> = 14, 15 & 16)                                                                       |
| 128 (bit 7)           | activate the fallback indication (<Event> = 17)                                                                               |
| 256 (bit 8)           | activate download progress indication (<Event>=18)                                                                            |
| 512 (bit 9)           | activate memory pre-emption indication (<Event>=19)                                                                           |
| 1024 (bit 10)         | activate User Pin request indication for bootstrap (<Event>=20)                                                               |
| 2048 (bit 11)         | Activate provisioning indication (<Event>=21)                                                                                 |
| 4096 (bit 12)         | Activate automatic registration indication (<Event>=22)                                                                       |

<Event>:

|    |                                                                                                                                                                                                                                                                                                                                                                                       |
|----|---------------------------------------------------------------------------------------------------------------------------------------------------------------------------------------------------------------------------------------------------------------------------------------------------------------------------------------------------------------------------------------|
| 0  | device services are initialized and can be used. Devices services are initialized when the SIM PIN code is entered and a dedicated NAP is configured (see <a href="#">+WDSS</a> command)                                                                                                                                                                                              |
| 1  | the Device Services server requests the device to make a connection. The device requests a user agreement to allow the embedded module to make the connection. The response can be sent using +WDSR command and this indication can be returned by the device if the user has activated the user agreement for connection (see <a href="#">+WDSC</a> command for more information)    |
| 2  | the Device Services server requests the device to make a package download. The device requests a user agreement to allow the embedded module to make the download. The response can be sent using +WDSR command and this indication can be returned by the device if the user has activated the user agreement for download (see <a href="#">+WDSC</a> command for more information). |
| 3  | the device has downloaded a package. The device requests a user agreement to install the downloaded package. The response can be sent using +WDSR command and this indication can be returned by the device if the user has activated the user agreement for install (see <a href="#">+WDSC</a> command for more information).                                                        |
| 4  | the embedded module starts sending data to the server                                                                                                                                                                                                                                                                                                                                 |
| 5  | authentication with the server failed                                                                                                                                                                                                                                                                                                                                                 |
| 6  | authentication has succeeded, a session with the server started                                                                                                                                                                                                                                                                                                                       |
| 7  | session with the server failed                                                                                                                                                                                                                                                                                                                                                        |
| 8  | session with the server is finished                                                                                                                                                                                                                                                                                                                                                   |
| 9  | a package is available on the server and can be downloaded by the embedded module. A <Data> parameter is returned indicating the package size in kB                                                                                                                                                                                                                                   |
| 10 | a package was successfully downloaded and stored in flash                                                                                                                                                                                                                                                                                                                             |
| 11 | an issue happens during the package download. If the download has not started (+WDSI: 9 indication was not returned), this indication indicates that there is not enough space in the device to download the update package. If the download has started (+WDSI: 9 indication was returned), a flash problem implies that the package has not been saved in the device                |
| 12 | downloaded package is certified to be sent by the AirPrime Management Services server                                                                                                                                                                                                                                                                                                 |
| 13 | downloaded package is not certified to be sent by the AirPrime Management Services server                                                                                                                                                                                                                                                                                             |
| 14 | update will be launched                                                                                                                                                                                                                                                                                                                                                               |
| 15 | OTA update client has finished unsuccessfully                                                                                                                                                                                                                                                                                                                                         |
| 16 | OTA update client has finished successfully                                                                                                                                                                                                                                                                                                                                           |
| 17 | a fallback mechanism was launched                                                                                                                                                                                                                                                                                                                                                     |

|                      |                                                                                                                                                                                                                                                                                                                                                                                |
|----------------------|--------------------------------------------------------------------------------------------------------------------------------------------------------------------------------------------------------------------------------------------------------------------------------------------------------------------------------------------------------------------------------|
| 18                   | download progress. This event is returned without <Data> parameter to indicate that a download starts. During the download, a percentage progress is indicated in <Data> parameter                                                                                                                                                                                             |
| 19                   | memory pre-emption for a package download. This event is returned when a memory pre-emption is needed on A&D volume to store the package which is available on the AirPrime Management Services server. The <Data> parameter indicates how many 64kB sectors are pre-empted. When the pre-emption is over, this event is also returned without <Data> parameter                |
| 20                   | a Bootstrap SMS was received and a User Pin is requested (See <a href="#">+WDSB</a> command for more information)                                                                                                                                                                                                                                                              |
| 21                   | A provision was made by the AirPrime Management Services server                                                                                                                                                                                                                                                                                                                |
| 22                   | Automatic registration status                                                                                                                                                                                                                                                                                                                                                  |
| <b>&lt;Data&gt;:</b> | Specific data for some <event>                                                                                                                                                                                                                                                                                                                                                 |
| For <Event>=5        | To be defined                                                                                                                                                                                                                                                                                                                                                                  |
| For <Event>=9        | <Data> indicates the package size in bytes, which will be downloaded<br><Data> indicates the pre-empted DOTA area size needed to download an update package.<br>Unit: kBytes.<br>If pre-emption is not made, this parameter is not returned for this event.<br>If a reverse package is not downloaded and stored, the pre-empted area will be released after the installation. |
| For <Event>=17       | <Data> indicates if the fallback was asked by the user or applied because a recovery was necessary                                                                                                                                                                                                                                                                             |
| 0                    | automatic recovery (a recovery mechanism was made)                                                                                                                                                                                                                                                                                                                             |
| 1                    | fallback asked by the user (see <a href="#">+WDSF</a> command for more information)                                                                                                                                                                                                                                                                                            |
| For <Event>=18       | <Data> indicates the download progress in percentage                                                                                                                                                                                                                                                                                                                           |
| For <Event>=19       | <Data> indicates the number of 64k sector which is pre-empted for the package download (See Notes). If pre-emption is not made, this parameter is not returned for this event. If a reverse package is not downloaded and stored, the pre-empted area will be released after the installation.                                                                                 |
| For <Event>=21       | <Data> indicates the provisioned parameters                                                                                                                                                                                                                                                                                                                                    |
| 0                    | Commercial feature (a reset is needed to take into account this update) (See <a href="#">+WCFM</a> command)                                                                                                                                                                                                                                                                    |
| 1                    | Alarm (see <a href="#">+CALA</a> command)                                                                                                                                                                                                                                                                                                                                      |
| 2                    | Echo cancellation (see <a href="#">+ECHO</a> command)                                                                                                                                                                                                                                                                                                                          |
| 3                    | Greeting (see <a href="#">+CGMI</a> command)                                                                                                                                                                                                                                                                                                                                   |
| 4                    | Preferred PLMN (see <a href="#">+CPOL</a> command)                                                                                                                                                                                                                                                                                                                             |
| 5                    | PDP context (see <a href="#">+CGDCONT</a> and <a href="#">+WDSS</a> commands)                                                                                                                                                                                                                                                                                                  |

|                                                                         |                                                                      |
|-------------------------------------------------------------------------|----------------------------------------------------------------------|
| 6                                                                       | SIM PIN code activation state (see +CLCK command)                    |
| 7                                                                       | Voice codec (see +WVR command)                                       |
| 8                                                                       | GPRS class (see +CGCLASS command)                                    |
| 9                                                                       | Device Service Polling mode (see +WDSC command for more information) |
| 10                                                                      | Network selection (see +WDSC command for more information)           |
| 11                                                                      | Application activation state (see +WOPEN command)                    |
| 12                                                                      | Retry mode (see +WDSC command for more information (mode 4))         |
| For <Event>=22 <Data> indicates the state of the automatic registration |                                                                      |
| 0                                                                       | Registration in progress                                             |
| 1                                                                       | Registration failed (after retries)                                  |
| 2                                                                       | Registration succeeded                                               |

### 27.8.4. Parameter Storage

The <Level> parameter is stored in EEPROM without using AT&W command. The default value can be restored using AT&F.

### 27.8.5. Examples

| Command                                         | Responses                                                                                                         |
|-------------------------------------------------|-------------------------------------------------------------------------------------------------------------------|
| AT+WDSI=?                                       | +WDSI: (0-8191)<br>OK                                                                                             |
| AT+WDSI?                                        | +WDSI: 0<br>OK<br><i>Note: All indications are deactivated</i>                                                    |
| AT+WDSI=8191                                    | OK                                                                                                                |
|                                                 | +WDSI: 1<br><i>Note: The Device Services server requests a connection to the embedded module</i>                  |
| AT+WDSR=1<br><i>Note: Accept the connection</i> | OK                                                                                                                |
|                                                 | +WDSI: 4<br><i>Note: The embedded module will send the first data to the AirPrime Management Services server.</i> |

| Command | Responses                                                                       |
|---------|---------------------------------------------------------------------------------|
|         | +WDSI: 6<br><i>Note: The authentication succeeded</i>                           |
|         | +WDSI: 8<br><i>Note: The session with the server is over.</i>                   |
|         | +WDSI: 9,1000<br><i>Note: A package will be downloaded, the size is 1kbytes</i> |
|         | +WDSI: 18, "1%"<br><i>Note: 1% was downloaded</i>                               |
|         | +WDSI: 18, "100%"<br><i>Note: The whole package was downloaded</i>              |
|         | +WDSI: 10<br><i>Note: The whole package was stored in flash.</i>                |

### 27.8.6. Notes

To receive +WDSI indications, the Device Services should be in activated state (see [+WDSG](#) command for more information).

When a package is available on the AirPrime Management Services server, the embedded module checks if enough space is available in a dedicated memory area.

This dedicated area is size to 1 64kB sector on 32Mb flash and 4 64kB sectors on 64Mb and 128Mb flash.

When the package to be downloaded is bigger than the dedicated area size, the embedded module will pre-empt the sufficient memory size on A&D memory area. This will be only available if the A&D memory contains sufficient free memory. The A&D memory size can be configured using +WOPEN command.

When the package is downloaded, the embedded module tries to install it. After installing it, a new +WDSI: 19,<Data> can be returned by the embedded module if the package contains a reverse patch. In this case, the package is not deleted after the install in order to keep the possibility to make a manual fallback (using +WDSF command).

If the package does not contain a reverse patch, in this case, the embedded module will delete the downloaded package in order to resize the package dedicated area to the default size and +WDSI: 19 (without <Data> parameter) is returned by the embedded module.

If the downloaded package is not certified (bad CRC, bad signature, not correspond to the current software), this package is automatically deleted in order to resize the package dedicated area to the default size. In this case also, +WDSI: 19 (without <Data> parameter) is returned by the embedded module.

## 27.9. Device Services Bootstrap +WDSB



### 27.9.1. Description

This Sierra Wireless proprietary command allows a user to enter the User Pin for the Bootstrap SMS treatment.

### 27.9.2. Syntax

*Action command*

```
AT+WDSB=<UserPin>
```

OK

*Read command*

```
AT+WDSB?
```

```
+WDSB: <BootStatus>
```

OK

*Test command*

None

### 27.9.3. Parameters and Defined Values

|                            |                                                                                                                                                        |
|----------------------------|--------------------------------------------------------------------------------------------------------------------------------------------------------|
| <b>&lt;UserPin&gt;:</b>    | User Pin which is filled on AirPrime Management Services server. This User Pin is needed in order to treat a Bootstrap SMS<br>Length: up to 20 digits. |
| <b>&lt;BootStatus&gt;:</b> | Status of Bootstrap SMS                                                                                                                                |
| 0                          | no Bootstrap SMS was received. No User Pin is required                                                                                                 |
| 1                          | a Bootstrap SMS was received. A User Pin is required                                                                                                   |



## 27.9.4. Parameter Storage

None.

## 27.9.5. Examples

| Command      | Responses                                                                        |
|--------------|----------------------------------------------------------------------------------|
|              | +WDSI: 20<br><i>Note: A Bootstrap SMS was received. A user Pin is requested.</i> |
| AT+WDSB=1234 | OK                                                                               |

## 27.10. Device Services Host +WDSH



### 27.10.1. Description

This Sierra Wireless proprietary command allows a user to define all host applications that can use the update mechanism using AirPrime Management Services and acknowledge an update for a host application. An upload mechanism is available for UART using 1K-Xmodem protocol.

### 27.10.2. Syntax

- For <Mode>=0, 1, 2, 3, 4

*Action command*

```
AT+WDSH=<Mode>,<Name>[,<Version>,<PhysicalPort>]
```

OK

- For <Mode>=5

*Action command*

```
AT+WDSH=<Mode>,<Name>
```

OK

*Read command*

```
AT+WDSH?
```

```
+WDSH: <Name>,<Version>,<PhysicalPort>
```

```
[+WDSH: <Name>,<Version>,<PhysicalPort>[...]]
```

OK

*Test command*

```
AT+WDSH?
```

```
+WDSH: (list of supported <Mode>s),<Nlength>,<Vlength>,(list of supported  
<PhysicalPort>s)
```

OK

*Unsolicited response*

```
+WDSH: <Name>
```

### 27.10.3. Parameters and Defined Values

|                              |                                                                                                                                                                                                                                                                                                                                                                                                                                                                                                                                                         |
|------------------------------|---------------------------------------------------------------------------------------------------------------------------------------------------------------------------------------------------------------------------------------------------------------------------------------------------------------------------------------------------------------------------------------------------------------------------------------------------------------------------------------------------------------------------------------------------------|
| <b>&lt;Mode&gt;:</b>         | Mode                                                                                                                                                                                                                                                                                                                                                                                                                                                                                                                                                    |
| 0                            | <p>declare and delete a host application</p> <p>To add a host application, a &lt;Name&gt;, a &lt;Version&gt; and a &lt;PhysicalPort&gt;, parameters have to be filled.<br/>To delete a host application, only the &lt;Name&gt; parameter has to be filled.</p>                                                                                                                                                                                                                                                                                          |
| 1                            | <p>acknowledge the host application update install</p> <p>To acknowledge that a host application update install succeeded, the &lt;Name&gt;, &lt;Version&gt; and &lt;PhysicalPort&gt; parameters have to be filled. &lt;Name&gt; and &lt;Version&gt; parameters can be different that the previous one declared.</p>                                                                                                                                                                                                                                    |
| 2                            | <p>update was not made</p> <p>To acknowledge that a host application update install failed, the &lt;Name&gt;, &lt;Version&gt; and &lt;PhysicalPort&gt; parameters have to be filled. Those parameters have to be the same as the previous one declared. If one of these parameters is different from the previous one declared, the command returns an error.</p>                                                                                                                                                                                       |
| 3                            | <p>a recovery was made on a host application</p> <p>To acknowledge that a host application recovery was made, the &lt;Name&gt;, &lt;Version&gt; and &lt;PhysicalPort&gt; parameters have to be filled. &lt;Name&gt; and &lt;Version&gt; parameters can be different from the previous one declared.</p>                                                                                                                                                                                                                                                 |
| 4                            | <p>a fallback was made on a host application</p> <p>To acknowledge that a host application fallback was made, the &lt;Name&gt;, &lt;Version&gt; and &lt;PhysicalPort&gt; parameters have to be filled. &lt;Name&gt; and &lt;Version&gt; parameters can be different from the previous one declared.</p>                                                                                                                                                                                                                                                 |
| 5                            | <p>launch the upload on one UART, using 1K-X modem protocol</p>                                                                                                                                                                                                                                                                                                                                                                                                                                                                                         |
| <b>&lt;Name&gt;:</b>         | Host application name. ASCII string, up to 50 characters.                                                                                                                                                                                                                                                                                                                                                                                                                                                                                               |
| <b>&lt;Version&gt;:</b>      | Version of the customer host application. ASCII string, up to 50 characters.                                                                                                                                                                                                                                                                                                                                                                                                                                                                            |
| <b>&lt;PhysicalPort&gt;:</b> | <p>Physical Port where the version and the name of a host application were declared. The possible value of this field depends on the embedded module hardware capabilities.</p> <p>UARTx: UART number x 1: UART1, 2: UART2, 5: UART3</p> <p>SPIx: SPI bus number x</p> <p>I2Cx: I2C bus number x</p> <p>PARALLEL: parallel bus x</p> <p>x is a digit which depends on the platform. Please refer to the platform Product Technical Specifications.</p> <hr/> <p><i>Note: Parallel bus and SPI2 are not supported by the AirPrime SL6087 module.</i></p> |
| <b>&lt;Vlength&gt;:</b>      | maximum length for <Version>, equal to 50.                                                                                                                                                                                                                                                                                                                                                                                                                                                                                                              |
| <b>&lt;Nlength&gt;:</b>      | maximum length for <Name>, equal to 50                                                                                                                                                                                                                                                                                                                                                                                                                                                                                                                  |

## 27.10.4. Parameter Storage

All parameter (except <Mode>) are stored in flash without using AT&W command. AT&F command has no effect on these parameters.

## 27.10.5. Examples

| Command                                                                                           | Responses                                                                                                                               |
|---------------------------------------------------------------------------------------------------|-----------------------------------------------------------------------------------------------------------------------------------------|
| <b>AT+WDSH=?</b>                                                                                  | +WDSH: (0-5), 50, 50, (UART1-2, USB1, SPI1-2, I2C1)<br>OK<br><i>Note: On the device, 2 UARTS, 1 USB, 2 SPI and 1 I2C are available.</i> |
| <b>AT+WDSH=0,"Host1","v1.0","UART1"</b><br><i>Note: Declare the host application on UART 1.</i>   | OK                                                                                                                                      |
| <b>AT+WDSH?</b>                                                                                   | +WDSH: "Host1","v1.0","UART1"<br>OK<br><i>Note: The host application was declared on UART 1</i>                                         |
| <b>AT+WDSH=0,"New Host","v1.1","UART1"</b><br><i>Note: Declare the host application on UART1.</i> | OK                                                                                                                                      |
| <b>AT+WDSH?</b>                                                                                   | +WDSH: "Host1","v1.0","UART1"<br>+WDSH: "New Host","v1.1","UART1"<br>OK                                                                 |
| <b>AT+WDSH=0,"Host2","v2","UART2"</b><br><i>Note: Declare the host application on UART2.</i>      | OK                                                                                                                                      |
| <b>AT+WDSH?</b>                                                                                   | +WDSH: "Host1","v1.0","UART1"<br>+WDSH: "Host2","v2","UART2"<br>+WDSH: "New Host","v1.1","UART1"<br>OK                                  |
| <b>AT+WDSH=0,"Host2"</b><br><i>Note: Delete host application which name is "Host2"</i>            | OK                                                                                                                                      |
| <b>AT+WDSH?</b>                                                                                   | +WDSH: "Host1","v1.0","UART1"<br>+WDSH: "New Host","v1.1","UART1"<br>OK                                                                 |
| <b>AT+WDS=1,1</b>                                                                                 | OK                                                                                                                                      |
|                                                                                                   | +WDSI: 18,1500<br><i>Note: User agreement for host application package download (1500 kBytes)</i>                                       |
|                                                                                                   | +WDSH: "Host1"<br><i>Note: The downloaded package is a package for the host application which name is "Host1"</i>                       |

| Command                                                                                                                        | Responses                                                                                                    |
|--------------------------------------------------------------------------------------------------------------------------------|--------------------------------------------------------------------------------------------------------------|
| <b>AT+WDSH=5,"Host1"</b><br><i>Note: Launch the upload</i>                                                                     | OK                                                                                                           |
| <b>C</b><br><i>Note: 'C' character launches the upload using 1K Xmodem protocol.</i>                                           |                                                                                                              |
|                                                                                                                                | <data><br><i>Note: Package data for Host 1 transmitted on the port where AT+WDSH=5,... command was sent.</i> |
| <b>AT+WDSH=1,"Host1","v1.1","UART1"</b><br><i>Note: Acknowledge the update, indicating the new version and the same name</i>   | OK                                                                                                           |
| <b>AT+WDSH=1,"Host1.1","v1.1","UART1"</b><br><i>Note: Acknowledge the update, indicating the new version and the new name.</i> | OK                                                                                                           |
| <b>AT+WDSH=2,"Host1","v1.0","UART1"</b><br><i>Note: The update was not made</i>                                                | OK                                                                                                           |

## 27.10.6. Notes

Up to 10 host applications can be defined on one Physical port.

The <Name> parameter MUST be different for each host application. If space is present at the end of the name, these spaces are removed. Therefore the following names are considered as the same: "name" and "name ".

In AT+WDSH? response, the host application is sorted by name.

When AT+WDSH=5,<Name> is sent to the embedded module, the embedded module is waiting for ASCII 'C' character (0x43) to start the upload.

Host application states:

- **Defined:** This is the initial state for a host application. In this state, <Mode>=0 only is supported for the host application.
- **Downloaded:** The host application is set to that state when the +WDSH: <Name> unsolicited response is returned by the embedded module. In this state, <Mode>=0 and 4 cannot be used. The allowed modes are <Mode>=1, 2, 3 and 5.
- **Updated:** The host application is set to that state when the +WDSH command with <Mode>=1 is received by the embedded module. In this state, the allowed modes are <Mode>=3 and 4.

Parallel bus and SPI2 are not supported in the AirPrime SL6087 module.

The UART3 information is displayed only if this port is available on the module hardware.

## 27.11. Device Services Local Download +WDS



### 27.11.1. Description

This Sierra Wireless proprietary command allows a customer to download an update package to the device using a local port.

The response to `AT+WDS=<Size>` command is `<NACK>` character when the device is ready to receive data using 1K-Xmodem protocol.

After having downloaded the whole package, the device will return an OK response (response to the `+WDS` command).

After the OK response, the package is ready to be installed using `+WDSR` command.

If an error occurs during the download, a `+CME ERROR: 3` is returned.

### 27.11.2. Syntax

#### *Action command*

```
AT+WDS=<Size>
```

```
<Nack>
```

```
OK
```

#### *Read command*

```
None
```

#### *Test command*

```
AT+WDS=?
```

```
+WDS: (list of supported <Size>s)
```

```
OK
```

### 27.11.3. Parameters and Defined Values

|                      |                                                                                                                                                                                                                                                                                                                                                                                                                              |
|----------------------|------------------------------------------------------------------------------------------------------------------------------------------------------------------------------------------------------------------------------------------------------------------------------------------------------------------------------------------------------------------------------------------------------------------------------|
| <b>&lt;Size&gt;:</b> | <p>Package size in bytes.</p> <p>The possible range for this parameter depends on flash capability and on A&amp;D configuration (see +WOPEN command description, parameter &lt;A&amp;DSize&gt; of AT+WOPEN=6 command response).</p> <p>MaxSize value differs according to the flash memory size:</p> <p>1024 Kbytes for 32Mbits Flash size, 4864 Kbytes for 64Mbits flash size and 13056 Kbytes for 128Mbits flash size.</p> |
|----------------------|------------------------------------------------------------------------------------------------------------------------------------------------------------------------------------------------------------------------------------------------------------------------------------------------------------------------------------------------------------------------------------------------------------------------------|

### 27.11.4. Parameter Storage

None.

### 27.11.5. Examples

| Command                                                        | Responses                                                                                                                               |
|----------------------------------------------------------------|-----------------------------------------------------------------------------------------------------------------------------------------|
| <b>AT+WSDS=?</b>                                               | +WSDS: (0-851968)<br>OK                                                                                                                 |
| <b>AT+WOPEN=6</b>                                              | +WOPEN: 6,832,448<br>OK                                                                                                                 |
| <b>AT+WSDS=1000</b><br><i>Note: Download a 1kBytes package</i> | <NACK><br><i>Note: The device is ready to receive data</i>                                                                              |
| <b>Send Data</b>                                               |                                                                                                                                         |
|                                                                | OK<br><i>Note: All data are well received by the embedded module</i>                                                                    |
|                                                                | +WDSI: 3<br><i>Note: A package is ready to be installed (see <a href="#">+WDSI</a> and <a href="#">+WDSR</a> commands description).</i> |

### 27.11.6. Notes

The flow control of the hyperterminal has to be set to 'Hardware'.

This command will automatically activate the user agreement for install (see [+WDSC](#) command description).

No reset is made during the package download.

A timeout will happen (and a +CME ERROR: 3 is returned) if no data is sent to the device during 5 minutes.

## 27.12. Device Services Over-The-Air +WDSO



### 27.12.1. Description

This Sierra Wireless proprietary command allows the AirPrime Management Services to configure the embedded module for the OTA AT commands feature.

### 27.12.2. Syntax

#### Action command

```
AT+WDSO=<Mode>,<Param>
```

OK

#### Read command

```
AT+WDSO?
```

```
+WDSO: <Mode>,<Param>
```

```
[+WDSO: <Mode>,<Param> [...]]
```

OK

#### Test command

```
AT+WDSO=?
```

```
+WDSO: <Mode>,(list of supported<Param>s)
```

```
[+WDSO: <Mode>,(list of supported<Param>s) [...]]
```

OK

### 27.12.3. Parameters and Defined Values

| <Mode>: | Mode                         |
|---------|------------------------------|
| 0       | Serial port configuration    |
| 1       | .By-pass the OAT application |



|                           |                                                                                                                                                                                                                                                                                                                                                                                                  |
|---------------------------|--------------------------------------------------------------------------------------------------------------------------------------------------------------------------------------------------------------------------------------------------------------------------------------------------------------------------------------------------------------------------------------------------|
| <b>&lt;Port&gt;:</b>      | Port id for <Mode> = 0<br><br>This configuration is used to know on which port the commands have to be applied (useful for serial port commands). The port can be set only if it has been opened before.                                                                                                                                                                                         |
| 1                         | UART1 (default value)                                                                                                                                                                                                                                                                                                                                                                            |
| 2                         | UART2 (if available)                                                                                                                                                                                                                                                                                                                                                                             |
| 3                         | USB CDC/ACM (if available)                                                                                                                                                                                                                                                                                                                                                                       |
| 5                         | UART3                                                                                                                                                                                                                                                                                                                                                                                            |
| X1                        | DLC 1 of port X (if available)                                                                                                                                                                                                                                                                                                                                                                   |
| X2                        | DLC 2 of port X (if available)                                                                                                                                                                                                                                                                                                                                                                   |
| X3                        | DLC 3 of port X (if available)                                                                                                                                                                                                                                                                                                                                                                   |
| X4                        | DLC 4 of port X (if available)                                                                                                                                                                                                                                                                                                                                                                   |
| <b>&lt;OatByPass&gt;:</b> | Bypass the OAT application, for <Mode> = 1.<br><br>This configuration can allow an OTA AT command to not be treated by the application. When it is set to Yes, the OTA AT command is not sent to the application and is treated by the firmware. When it's set to No, all incoming commands using AirPrime Management Services are sent to the application before being treated by the firmware. |
| 0                         | No                                                                                                                                                                                                                                                                                                                                                                                               |
| 1                         | Yes (default value)                                                                                                                                                                                                                                                                                                                                                                              |

## 27.12.4. Parameter Storage

The <Param> parameter is stored in EEPROM without using AT&W command.  
AT&F command has no effect on this parameter.

## 27.12.5. Examples

| Command   | Responses                                                                                      |
|-----------|------------------------------------------------------------------------------------------------|
| AT+WDSO=? | +WDSO: (0), (1, 2, 3)<br>+WDSO: (1), (0, 1)<br>OK<br>Note: UART1, UART2 and USB CDC are opened |
| AT+WDSO?  | +WDSO: 0, 1<br>+WDSO: 1, 1<br>OK                                                               |

| Command                                                                                     | Responses                                             |
|---------------------------------------------------------------------------------------------|-------------------------------------------------------|
| <b>AT+WDSO=0,2</b>                                                                          | OK                                                    |
| <b>AT+WDSO?</b>                                                                             | +WDSO: 0, 2<br>+WDSO: 1, 1<br>OK                      |
| <b>AT+IPR=9600</b><br><i>Note: OTA AT command using AirPrime Management Services server</i> | OK<br><i>Note: The AT command is treated on UART2</i> |

## 27.12.6. Notes

This command cannot be received by the application, only by firmware in order not to allow the application to filter this command.

# >> | Index

ADC, 127  
CLVL, 19  
CMUT, 17  
CPHS, 145  
CRMP, 94  
CRSL, 12  
ECHO, 57  
FBOR, 178  
FBUF, 180  
FCQ, 182  
FCR, 184  
FDCC, 190  
FDIS, 186  
FDR, 172  
FDT, 171  
FET, 173  
FK, 177  
FLID, 193  
FPHCTO, 195  
FPTS, 175  
FRH, 165  
FRM, 161  
FRS, 169  
FTH, 163  
FTM, 159  
FTS, 167  
SIDET, 24  
SPEAKER, 7  
T, 106  
VGR, 29  
VGT, 34  
VIP, 104  
VTD, 71  
VTS, 73  
WADF, 51  
WADS, 108  
WALS, 156  
WBCM, 130  
WCDM, 100  
WCDP, 102  
WDDM, 86  
WDGR, 37  
WDGT, 44  
WDIAG, 138  
WDSB, 227  
WDSC, 199  
WDSI, 221  
WDSM, 218  
WDSO, 235  
WDSR, 211  
WDSS, 213  
WDTMF, 81  
WIOM, 114  
WIOR, 119  
WIOV, 121  
WIPC, 123  
WMBN, 153  
WSST, 89  
WTONE, 75  
WVR, 68



# AT Commands Interface Guide for Firmware 7.52

## Appendix



**SIERRA**  
WIRELESS

4111843  
6.0  
October 25, 2013

# »» Contents

|                                                                     |           |
|---------------------------------------------------------------------|-----------|
| <b>CONTENTS .....</b>                                               | <b>2</b>  |
| <b>1. CODES AND VALUES.....</b>                                     | <b>4</b>  |
| 1.1. ME Error Result Code: +CME ERROR.....                          | 4         |
| 1.2. Message Service Failure Result Code: +CMS ERROR.....           | 5         |
| 1.3. Specific Error Result Codes .....                              | 6         |
| 1.4. Failure Cause from 3GPP TS 24.008 Recommendation (+CEER) ..... | 10        |
| 1.5. Specific Failure Cause for +CEER.....                          | 12        |
| 1.6. GSM 04.11 Annex E-2: Mobile Originating SM-transfer .....      | 13        |
| 1.7. Result Codes .....                                             | 15        |
| 1.8. GSM Sequences List.....                                        | 16        |
| 1.9. Operator Names .....                                           | 18        |
| 1.10. CPHS Information Field.....                                   | 19        |
| 1.11. CSP Constants .....                                           | 20        |
| <b>2. EXAMPLES .....</b>                                            | <b>23</b> |
| 2.1. Examples with the PIN Required.....                            | 23        |
| 2.2. Examples where a Voice Call is Originated .....                | 24        |
| 2.3. Example with Incoming Calls .....                              | 25        |
| 2.4. Example of a Call Forwarding .....                             | 25        |
| 2.5. Example of a Multiparty Call.....                              | 26        |
| 2.6. Examples about Phonebooks.....                                 | 27        |
| 2.7. Examples about Short Messages.....                             | 35        |
| 2.8. Examples about Fax Class 2.....                                | 36        |
| 2.9. +CSIM and +CRSM Examples.....                                  | 38        |
| 2.10. +WBHV Examples.....                                           | 39        |
| 2.11. +WDSI Examples .....                                          | 42        |
| 2.12. Full AT GPRS Commands Examples .....                          | 49        |
| 2.13. Unit test cases for AT +WOPEN=7 mode .....                    | 54        |
| 2.14. Unit test cases for AT + WOPEN=8 mode .....                   | 56        |
| <b>3. TECHNICAL APPENDIXES .....</b>                                | <b>60</b> |
| 3.1. Working Modes.....                                             | 60        |
| 3.2. Multiplexing Mode .....                                        | 63        |
| 3.3. Support of SIM ToolKit by the M.E. ....                        | 70        |
| 3.4. Structure of TERMINAL PROFILE .....                            | 71        |
| 3.5. Command Type and Next Action Indicator. ....                   | 75        |
| 3.6. Coding of Alpha Fields in the SIM for UCS2 .....               | 76        |

|           |                                                                                                                       |           |
|-----------|-----------------------------------------------------------------------------------------------------------------------|-----------|
| 3.7.      | Specifications of Power Down Control mechanism through serial Ports (physical RS232 ports or virtual CMUX ports)..... | 78        |
| 3.8.      | Description of Multi-Flow Behavior.....                                                                               | 85        |
| 3.9.      | USB CDC feature .....                                                                                                 | 87        |
| <b>4.</b> | <b>INTEROPERABILITY .....</b>                                                                                         | <b>90</b> |
| <b>5.</b> | <b>AIRPRIME MANAGEMENT SERVICES .....</b>                                                                             | <b>91</b> |



# 1. Codes and Values

## 1.1. ME Error Result Code: +CME ERROR

<error> is defined as below:

| <error> | Meaning                                                                                         | Resulting from the following commands                                         |
|---------|-------------------------------------------------------------------------------------------------|-------------------------------------------------------------------------------|
| 3       | Operation not allowed<br>Access techno param filled while the SIM/UICC file does not support it | All GSM 07.07 commands (+CME ERROR: 3)<br>+CPOL                               |
| 4       | Operation not supported                                                                         | All GSM 07.07 commands (+CME ERROR: 4)                                        |
| 5       | PH-SIM PIN required (SIM lock)                                                                  | All GSM 07.07 commands (+CME ERROR: 5)                                        |
| 10      | SIM not inserted                                                                                | All GSM 07.07 commands (+CME ERROR: 10)                                       |
| 11      | SIM PIN required                                                                                | All GSM 07.07 commands (+CME ERROR: 11)                                       |
| 12      | SIM PUK required                                                                                | All GSM 07.07 commands (+CME ERROR: 12)                                       |
| 13      | SIM failure                                                                                     | All GSM 07.07 commands (+CME ERROR: 13)                                       |
| 16      | Incorrect password<br><br>Bad user pin                                                          | +CACM, +CAMM, +CPUC, +CLCK, +CPWD, +CPIN,<br>+CPIN2 (+CME ERROR: 16)<br>+WDSB |
| 17      | SIM PIN2 required                                                                               | +CPBW (FDN), +CLCK (FDN),                                                     |
| 18      | SIM PUK2 required                                                                               | +CACM, +CAMM, +CPUC, +CPBW (FDN), +CPIN,<br>+CPIN2, +CLCK (FDN), +CPWD        |
| 20      | Memory full                                                                                     | +CPBW, +WOLM, ATD                                                             |
| 21      | Invalid index                                                                                   | +CPBR, +CPBW, ATD>[mem]index, +WMGO, +WPGW,<br>+WOLM                          |
| 22      | Not found                                                                                       | +CPBF, +CPBP, +CPBN, +CGSN, +WOPN,<br>ATD>[mem]"name"                         |
| 24      | <Apn>, <User>, <Pwd> too long                                                                   | +CPBW, +CPIN, +CPIN2, +CLCK, +CPWD, +WPGW,<br>+WCCS, +WIMEI, +WDSS            |
| 26      | Dial string too long                                                                            | +CPBW, ATD, +CCFC                                                             |
| 27      | Invalid characters in dial string                                                               | +CPBW                                                                         |
| 30      | No network service                                                                              | +VTS, +COPS=?, +CLCK, +CCFC, +CCWA, +CUSD,<br>+CCED                           |
| 32      | Network not allowed – emergency calls only                                                      | +COPS, +CCED                                                                  |
| 40      | Network personalization PIN required (Network lock)                                             | All GSM 07.07 commands (+CME ERROR: 40)                                       |
| 42      | Network personalization PIN required (Network subset lock)                                      | All GSM 07.07 commands (+CME ERROR: 42)                                       |
| 44      | Network personalization PIN required (Service Provider lock)                                    | All GSM 07.07 commands (+CME ERROR: 44)                                       |
| 46      | Network personalization PIN required (Corporate lock)                                           | All GSM 07.07 commands (+CME ERROR: 46)                                       |
| 103     | Incorrect MS identity.                                                                          | +CGATT                                                                        |
| 106     | ME is blacklisted by the network.                                                               | +CGATT                                                                        |
| 107     | MS is not allowed to operate in GPRS.                                                           | +CGATT                                                                        |
| 111     | MS is not allowed to operate in the requested PLMN.                                             | +CGATT                                                                        |

| <b>&lt;error&gt;</b> | <b>Meaning</b>                                            | <b>Resulting from the following commands</b> |
|----------------------|-----------------------------------------------------------|----------------------------------------------|
| 112                  | MS is not allowed to make location updating in this area. | +CGATT                                       |
| 113                  | Roaming in this location area is not allowed.             | +CGATT                                       |
| 132                  | service option not supported (#32)                        | +CGACT +CGDATA ATD*99                        |
| 133                  | requested service option not subscribed (#33)             | +CGACT +CGDATA ATD*99                        |
| 134                  | service option temporarily out of order (#34)             | +CGACT +CGDATA ATD*99                        |
| 148                  | unspecified GPRS error                                    | All GPRS commands                            |
| 149                  | PDP authentication failure                                | +CGACT +CGDATA ATD*99                        |
| 150                  | invalid mobile class                                      | +CGCLASS +CGATT                              |

## 1.2. Message Service Failure Result Code: +CMS ERROR

<er> is defined as below:

| <b>&lt;er&gt;</b> | <b>Meaning</b>                                                        | <b>Resulting from the following commands</b>    |
|-------------------|-----------------------------------------------------------------------|-------------------------------------------------|
| <b>1 to 127</b>   | <b>Error cause values from the GSM recommendation 04.11 Annex E-2</b> | <b>+CMGS, +CMSS</b>                             |
| 301               | SMS service of ME reserved                                            | +CSMS (with +CMS: ERROR 301)                    |
| 302               | Operation not allowed                                                 | All SMS commands (+CMSS, +CMGL, +CPMS, +CSMP... |
| 303               | Operation not supported                                               | All SMS commands                                |
| 304               | Invalid PDU mode parameter                                            | +CMGS, +CMGW                                    |
| 305               | Invalid text mode parameter                                           | +CMGS, +CMGW, +CMSS                             |
| 310               | SIM not inserted                                                      | All SMS commands                                |
| 311               | SIM PIN required                                                      | All SMS commands                                |
| 312               | PH-SIM PIN required                                                   | All SMS commands                                |
| 313               | SIM failure                                                           | All SMS commands                                |
| 316               | SIM PUK required                                                      | All SMS commands                                |
| 317               | SIM PIN2 required                                                     | All SMS commands                                |
| 318               | SIM PUK2 required                                                     | All SMS commands                                |
| 321               | Invalid memory index                                                  | +CMGR, +CMSS, +CMGD                             |
| 322               | SIM or ME memory full                                                 | +CMGW                                           |
| 330               | SC address unknown                                                    | +CSCA?, +CMSS, +CMGS                            |
| 340               | no +CNMA acknowledgement expected                                     | +CNMA                                           |



### 1.3. Specific Error Result Codes

| <error> | Meaning                                                                                               | Resulting from the following commands                                                                                                                                     |
|---------|-------------------------------------------------------------------------------------------------------|---------------------------------------------------------------------------------------------------------------------------------------------------------------------------|
| 500     | Unknown error.                                                                                        | All commands                                                                                                                                                              |
| 501     | GPIO cannot be reached by device layer (for example the GPIO is not currently allocated to the user). | +WIOM, +WIOR, +WIOW, +WASR                                                                                                                                                |
| 502     | AT command is inconsistent (for example, the user tries to configure a GPI in output)                 | +WIOM, +WIOR, +WIOW                                                                                                                                                       |
| 503     | The external interrupt cannot be reached                                                              | +WIPC                                                                                                                                                                     |
| 504     | Error during external interrupt treatment                                                             | +WIPC                                                                                                                                                                     |
| 505     | The resource has not been reserved                                                                    | +DAC                                                                                                                                                                      |
| 512     | MM establishment failure (for SMS).                                                                   | +CMGS, +CMSS (+CMS ERROR: 512)                                                                                                                                            |
| 513     | Lower layer failure (for SMS)                                                                         | +CMGS, +CMSS (+CMS ERROR: 513)                                                                                                                                            |
| 514     | CP error (for SMS).                                                                                   | +CMGS, +CMSS (+CMS ERROR: 514)                                                                                                                                            |
| 515     | Please wait, init or command processing in progress.                                                  | All commands (" +CME ERROR: 515" or "+CMS ERROR: 515") except ATH0, ATH1, AT+WIOR, AT+WIOW, AT+CFUN=1, AT+CFUN=1,1, AT+CLCC, AT+WAC, AT+CPAS, AT+VGR, AT+VTS, AT+SPEAKER. |
| 517     | SIM Toolkit facility not supported.                                                                   | +STGI                                                                                                                                                                     |
| 518     | SIM Toolkit indication not received.                                                                  | +STGI                                                                                                                                                                     |
| 519     | Reset the product to activate or change a new echo cancellation algorithm.                            | +ECHO, +VIP                                                                                                                                                               |
| 520     | Automatic abort about get PLMN list for an incoming call.                                             | +COPS=?                                                                                                                                                                   |
| 526     | PIN deactivation forbidden with this SIM card.                                                        | +CLCK                                                                                                                                                                     |
| 527     | Please wait, RR or MM is busy. Retry your selection later.                                            | +COPS                                                                                                                                                                     |
| 528     | Location update failure. Emergency calls only.                                                        | +COPS                                                                                                                                                                     |
| 529     | PLMN selection failure. Emergency calls only.                                                         | +COPS                                                                                                                                                                     |
| 531     | SMS not sent: the <da> is not in FDN phonebook, and FDN lock is enabled. (for SMS)                    | +CMGS, +CMSS (+CMS ERROR: 531)                                                                                                                                            |
| 532     | the embedded application is activated so the objects flash are not erased                             | +WOPEN                                                                                                                                                                    |
| 533     | Missing or Unknown APN                                                                                | ATD*99 +GACT +CGDATA                                                                                                                                                      |

| <error> | Meaning                                                                                                                                                                                                                                                                  | Resulting from the following commands                                                                                                                                 |
|---------|--------------------------------------------------------------------------------------------------------------------------------------------------------------------------------------------------------------------------------------------------------------------------|-----------------------------------------------------------------------------------------------------------------------------------------------------------------------|
| 536     | Class locked: a command has been launched from a port, the effect is to lock all commands belonging to the same class. If another port launches a command of this class, this error will occur as long as the class is not released (at first command's completion time) | All commands                                                                                                                                                          |
| 537     | Phonebook group full.                                                                                                                                                                                                                                                    | +CPBW                                                                                                                                                                 |
| 538     | Not Enough Space to copy SMS                                                                                                                                                                                                                                             | +WMCP                                                                                                                                                                 |
| 539     | Invalid SMS                                                                                                                                                                                                                                                              | +CMGR                                                                                                                                                                 |
| 541     | Application and AT software version do not match                                                                                                                                                                                                                         | +WOPEN                                                                                                                                                                |
| 543     | CMUX connection is refused by remote, after a restart of CMUX protocol by embedded module, due to a 27.010 connection loss during virtual channels establishment.                                                                                                        | +CMUX                                                                                                                                                                 |
| 544     | CMUX connection timeout                                                                                                                                                                                                                                                  | +CMUX                                                                                                                                                                 |
| 546     | Emergency call is not allowed without SIM                                                                                                                                                                                                                                | +COPS                                                                                                                                                                 |
| 547     | Emergency call is allowed without SIM                                                                                                                                                                                                                                    | +COPS                                                                                                                                                                 |
| 548     | No flash objects to delete                                                                                                                                                                                                                                               | +WOPEN                                                                                                                                                                |
| 549     | The phone number of the requested phonebook entry is empty                                                                                                                                                                                                               | ATD><index>[:], ATD><phonebook><index>[:]                                                                                                                             |
| 550     | Unable to resize the Application & Data storage place, since the new required size would overlap with the current application storage place.                                                                                                                             | +WOPEN                                                                                                                                                                |
| 551     | Service abort request has failed                                                                                                                                                                                                                                         | AT +WAC                                                                                                                                                               |
| 552     | Unsolicited responses for autodiag or charge indications are already activated on another port                                                                                                                                                                           | +WDIAG, +WBCM                                                                                                                                                         |
| 553     | The PUK 1 code is burned but PIN 1/CHV 1 code is OK                                                                                                                                                                                                                      | +CPIN, +CKPD, D (sequence)                                                                                                                                            |
| 554     | The SIM is blocked (PIN 1/CHV 1 and PUK 1 codes are burned)                                                                                                                                                                                                              | All GSM 07.07 commands                                                                                                                                                |
| 555     | <p>AT command aborted by a POWER OFF (the AT command treatment should be partial)</p> <p>AT+CPOL? command is under treatment and if a POWER OFF is made in the mean time using +CPOF command (the +CPOLS? treatment is then stopped)</p>                                 | <p>+COPS, +CPIN, +CPIN2, +CMGL, +CMGR, +CMGD, +WDCP, +WLPR, +WLPW, +CCID, +CSIM, +CRSM, +CLCK, +CACM, +CAMP, +CPUC, +WMSC, +WMCP, +CPOL, +CSQ, +CCED</p> <p>+CPOL</p> |

| <error> | Meaning                                                                                                                                                                                                                                                  | Resulting from the following commands                                                                                                                                                                                                                                       |
|---------|----------------------------------------------------------------------------------------------------------------------------------------------------------------------------------------------------------------------------------------------------------|-----------------------------------------------------------------------------------------------------------------------------------------------------------------------------------------------------------------------------------------------------------------------------|
| 556     | <p>AT command aborted by a SIM Extract (the AT command treatment should be partial)</p> <p>AT+CPOL? command is under treatment and if the SIM/UICC is removed (the +CPOLS? treatment is then stopped)</p>                                                | <p>+COPS, +CPIN, +CPIN2, +CMGL, +CMGR, +CMGD, +WDCCP, +WLPR, +WLPW, +CCID, +CSIM, +CRSM, +CLCK, +CACM, +CMM, +CPUC, +WMSC, +WMCP, +CPOL</p> <p>+CPOL</p>                                                                                                                    |
| 558     | The service activation associated to the AT command is already activated by another port the resource has been already reserved by another application                                                                                                   | <p>+WDDM</p> <p>+DAC</p>                                                                                                                                                                                                                                                    |
| 559     | Audio Diagnostic was stopped because an incoming call happens.                                                                                                                                                                                           | +WADS                                                                                                                                                                                                                                                                       |
| 560     | Auto Shutdown is already enabled or disabled                                                                                                                                                                                                             | +WASR                                                                                                                                                                                                                                                                       |
| 562     | <p>AT command aborted by an auto answer to an incoming call (the AT command treatment should be partial)</p> <p>AT+CPOL? command is under treatment and if an auto-answer mechanism happens on the same port (the +CPOLS? treatment is then stopped)</p> | <p>+CPBF, +CPBR, +CGATT, +CGCLASS, +CPWD, +CLCK, +CPIN, +CPIN2, +CSIM, +CRSM, +VTS, +CPBS, +CPBW, +WDCCP, +CMGR, +CMGL, +WMSC, +CMGW, +CMGS, +CMSS, +WCBM, +CSAS, +CMGD, +WLPR, +WLPW, +CCID, +CCFC, +CLIR, +CLIP, +COLP, +CCWA, +CACM, +CMM, +CPUC, +CPOL</p> <p>+CPOL</p> |
| 563     | The charge is not started due to an error. (Example: charger not plugged), but other command part (unsolicited event activation) is done.                                                                                                                | +WBCM                                                                                                                                                                                                                                                                       |
| 565     | UMTS operating bands not supported                                                                                                                                                                                                                       | +WUBS                                                                                                                                                                                                                                                                       |
| 566     | UMTS operating bands selection error                                                                                                                                                                                                                     | +WUBS                                                                                                                                                                                                                                                                       |
| 567     | Operation denied due to CPU overheated                                                                                                                                                                                                                   | +WTMR                                                                                                                                                                                                                                                                       |
| 568     | Not enough space for File System                                                                                                                                                                                                                         | +WOPEN                                                                                                                                                                                                                                                                      |
| 650     | General error<br>Device Services not in good state                                                                                                                                                                                                       | +WDSS                                                                                                                                                                                                                                                                       |
| 651     | Communication error                                                                                                                                                                                                                                      | +WDSS                                                                                                                                                                                                                                                                       |
| 652     | Session in progress                                                                                                                                                                                                                                      | +WDSS                                                                                                                                                                                                                                                                       |
| 653     | GSM call in progress                                                                                                                                                                                                                                     | +WDSS                                                                                                                                                                                                                                                                       |
| 654     | RDMS services are in DEACTIVATED state                                                                                                                                                                                                                   | +WDSE, +WDSF, +WDSR, +WDSS                                                                                                                                                                                                                                                  |
| 655     | RDMS services are in PROHIBITED state                                                                                                                                                                                                                    | +WDSA, +WDSB, +WDSC, +WDSD, +WDSE, +WDSF, +WDSH, +WDSI, +WDSR, +WDSS                                                                                                                                                                                                        |

| <error> | Meaning                                                                                   | Resulting from the following commands          |
|---------|-------------------------------------------------------------------------------------------|------------------------------------------------|
| 656     | RDMS services are in TO BE PROVISIONED state<br>No NAP are available (either in +CGDCONT) | +WDSC, +WDSE, +WDSF, +WDSR, +WDSS<br><br>+WDSS |
| 657     | Automatic registration error                                                              | +WDSS, +WDSC                                   |

## 1.4. Failure Cause from 3GPP TS 24.008 Recommendation (+CEER)

| Cause value | Diagnostic                                                         |
|-------------|--------------------------------------------------------------------|
| 1           | Unassigned (unallocated) number                                    |
| 3           | No route to destination                                            |
| 6           | Channel unacceptable                                               |
| 8           | Operator determined barring                                        |
| 16          | Normal call clearing                                               |
| 17          | User busy                                                          |
| 18          | No user responding                                                 |
| 19          | User alerting, no answer                                           |
| 21          | Call rejected                                                      |
| 22          | Number changed                                                     |
| 26          | Non selected user clearing                                         |
| 27          | Destination out of order                                           |
| 28          | Invalid number format (incomplete number)                          |
| 29          | Facility rejected                                                  |
| 30          | Response to STATUS ENQUIRY                                         |
| 31          | Normal, unspecified                                                |
| 34          | No circuit/channel available                                       |
| 38          | Network out of order                                               |
| 41          | Temporary failure                                                  |
| 42          | Switching equipment congestion                                     |
| 43          | Access information discarded                                       |
| 44          | Requested circuit/channel not available                            |
| 47          | Resources unavailable, unspecified                                 |
| 49          | Quality of service unavailable                                     |
| 50          | Requested facility not subscribed                                  |
| 55          | Incoming calls barred with in the CUG                              |
| 57          | Bearer capability not authorized                                   |
| 58          | Bearer capability not presently available                          |
| 63          | Service or option not available, unspecified                       |
| 65          | Bearer service not implemented                                     |
| 68          | ACM equal to or greater than ACMmax                                |
| 69          | Requested facility not implemented                                 |
| 70          | Only restricted digital information bearer capability is available |
| 79          | Service or option not implemented, unspecified                     |
| 81          | Invalid transaction identifier value                               |
| 87          | User not member of CUG                                             |
| 88          | Incompatible destination                                           |

Failure Cause from 3GPP TS 24.008 Recommendation (+CEER)

| Cause value | Diagnostic                                             |
|-------------|--------------------------------------------------------|
| 91          | Invalid transit network selection                      |
| 95          | Semantically incorrect message                         |
| 96          | Invalid mandatory information                          |
| 97          | Message type non-existent or not implemented           |
| 98          | Message type not compatible with protocol state        |
| 99          | Information element non-existent or not implemented    |
| 100         | Conditional IE error                                   |
| 101         | Message not compatible with protocol state             |
| 102         | Recovery on timer expiry                               |
| 111         | Protocol error, unspecified                            |
| 127         | Inter-working, unspecified                             |
| 224         | MS requested detach                                    |
| 225         | NWK requested Detach                                   |
| 226         | Unsuccessful attach cause NO SERVICE                   |
| 227         | Unsuccessful attach cause NO ACCESS                    |
| 228         | Unsuccessful attach cause GPRS SERVICE REFUSED         |
| 229         | PDP Deactivation requested by NWK                      |
| 230         | PDP Deactivation because LLC link activation Failed    |
| 231         | PDP Deactivation cause NWK reactivation with same TI   |
| 232         | PDP Deactivation cause GMM abort                       |
| 233         | PDP Deactivation cause LLC or SNDSCP failure           |
| 234         | PDP Unsuccessful activation cause GMM error            |
| 235         | PDP Unsuccessful activation cause NWK reject           |
| 236         | PDP Unsuccessful activation cause NO NSAPI available   |
| 237         | PDP Unsuccessful activation cause SM refuse            |
| 238         | PDP Unsuccessful activation cause MMI ignore           |
| 239         | PDP unsuccessful activation cause Nb Max Session Reach |

| All other values in the range | Will be treated as cause |
|-------------------------------|--------------------------|
| [0,31]                        | 31                       |
| [32,47]                       | 47                       |
| [48,63]                       | 63                       |
| [64,79]                       | 79                       |
| [80,95]                       | 95                       |
| [96,111]                      | 111                      |
| [112,127]                     | 127                      |

## 1.5. Specific Failure Cause for +CEER

| Cause value | Diagnostic                             |
|-------------|----------------------------------------|
| 240         | FDN is active and number is not in FDN |
| 241         | Call operation not allowed             |
| 252         | Call barring on outgoing calls         |
| 253         | Call barring on incoming calls         |
| 254         | Call impossible                        |
| 255         | Lower layer failure                    |

*Note: The Specific Failure Causes for +CEER are only valid for Q268x, WMP and AR6220.*

## 1.6. GSM 04.11 Annex E-2: Mobile Originating SM-transfer

These error causes could appear for **SMS commands** (+CMGS, +CMSS, +CMGD...)

| Error # | Error label                                    | Description                                                                                                                                                                                                                                                                                                                                                         |
|---------|------------------------------------------------|---------------------------------------------------------------------------------------------------------------------------------------------------------------------------------------------------------------------------------------------------------------------------------------------------------------------------------------------------------------------|
| 1       | Unassigned (unallocated) number                | The destination requested by the Mobile Station cannot be reached because, although the number is in a valid format, it is not currently assigned (allocated).                                                                                                                                                                                                      |
| 8       | Operator determined barring                    | The MS has tried to send a mobile originating short message when the MS's network operator or service provider has forbidden such transactions.                                                                                                                                                                                                                     |
| 10      | Call barred                                    | The outgoing call barred service applies to the short message service for the called destination.                                                                                                                                                                                                                                                                   |
| 21      | Short message transfer rejected                | The equipment sending this cause does not wish to accept this short message, although it could have accepted the short message since the equipment sending. This cause is neither busy nor incompatible.                                                                                                                                                            |
| 27      | Destination out of service                     | The destination indicated by the Mobile Station cannot be reached because the interface to the destination is not functioning correctly. The term "not functioning correctly" indicates that a signaling message was unable to be delivered to the remote user; e.g., a physical layer or data link layer failure at the remote user, user equipment off-line, etc. |
| 28      | Unidentified subscriber                        | The subscriber is not registered in the PLMN (e.g.. IMSI not known)                                                                                                                                                                                                                                                                                                 |
| 29      | Facility rejected                              | The facility requested by the Mobile Station is not supported by the PLMN.                                                                                                                                                                                                                                                                                          |
| 30      | Unknown subscriber                             | The subscriber is not registered in the HLR (e.g.. IMSI or directory number is not allocated to a subscriber).                                                                                                                                                                                                                                                      |
| 38      | Network out of order                           | The network is not functioning correctly and the condition is likely to last a relatively long period of time; e.g., immediately reattempting the short message transfer is not likely to be successful.                                                                                                                                                            |
| 41      | Temporary failure                              | The network is not functioning correctly and the condition is not likely to last a long period of time; e.g., the Mobile Station may wish to try another short message transfer attempt almost immediately.                                                                                                                                                         |
| 42      | Congestion                                     | The short message service cannot be serviced because of high traffic.                                                                                                                                                                                                                                                                                               |
| 47      | Resources unavailable, unspecified             | This cause is used to report a resource unavailable event only when no other cause applies.                                                                                                                                                                                                                                                                         |
| 50      | Requested facility not subscribed              | The requested short message service could not be provided by the network because the user has not completed the necessary administrative arrangements with its supporting networks.                                                                                                                                                                                 |
| 69      | Requested facility not implemented             | The network is unable to provide the requested short message service.                                                                                                                                                                                                                                                                                               |
| 81      | Invalid short message transfer reference value | The equipment sending this cause has received a message with a short message reference which is not currently in use on the MS-network interface.                                                                                                                                                                                                                   |
| 95      | Invalid message, unspecified                   | This cause is used to report an invalid message event only when no other cause in the invalid message class applies.                                                                                                                                                                                                                                                |



| Error # | Error label                                              | Description                                                                                                                                                                                                                                                                                                                                                                             |
|---------|----------------------------------------------------------|-----------------------------------------------------------------------------------------------------------------------------------------------------------------------------------------------------------------------------------------------------------------------------------------------------------------------------------------------------------------------------------------|
| 96      | Invalid mandatory information                            | The equipment sending this cause has received a message where a mandatory information element is missing and/or has a content error (both cases are undistinguishable).                                                                                                                                                                                                                 |
| 97      | Message type non-existent or not implemented             | The equipment sending this cause has received a message with a message type it does not recognize either because this is a message not defined or defined but not implemented by the equipment sending this cause.                                                                                                                                                                      |
| 98      | Message not compatible with short message protocol state | The equipment sending this cause has received a message such that the procedures do not indicate that this is a permissible message to receive while in the short message transfer state.                                                                                                                                                                                               |
| 99      | Information element non-existent or not implemented      | The equipment sending this cause has received a message which includes unrecognized information elements because the information element identifier is not defined or it is defined but not implemented by the equipment sending the cause. However, the information element is not required to be present in the message so that the equipment sends the cause to process the message. |
| 111     | Protocol error, unspecified                              | This cause is used to report a protocol error event only when no other cause applies.                                                                                                                                                                                                                                                                                                   |
| 127     | Inter-working, unspecified                               | There has been inter-working with a network which does not provide causes for actions it takes; thus, the precise cause for a message which is being sent cannot be ascertained.                                                                                                                                                                                                        |

All values other than specified should be treated as error #41.

## 1.7. Result Codes

| Verbose result code      | Numeric (V0 set) | Description                                            |
|--------------------------|------------------|--------------------------------------------------------|
| +CME ERROR: <err>        | As verbose       | Error from GSM 07.05 commands                          |
| +CMS ERROR: <err>        | As verbose       | Error from SMS commands (07.07)                        |
| BUSY                     | 7                | Busy signal detected                                   |
| ERROR                    | 4                | Command not accepted                                   |
| NO ANSWER                | 8                | Connection completion timeout                          |
| NO CARRIER               | 3                | Connection terminated                                  |
| OK                       | 0                | Acknowledges correct execution of a command line       |
| RING                     | 2                | Incoming call signal from network                      |
| +COLP:<number>,<type>    | as verbose       | Outgoing Call Presentation                             |
| +CR: <type>              | as verbose       | Outgoing Call report control                           |
| +ILRR: <rate>            | as verbose       | Local TA-TE data rate                                  |
| CONNECT 300              | 10               | Data connection at 300 bauds                           |
| CONNECT 1200             | 11               | Data connection at 1200 bauds                          |
| CONNECT 1200/75          | 12               | Data connection at 1200/75 bauds                       |
| CONNECT 2400             | 13               | Data connection at 2400 bauds                          |
| CONNECT 4800             | 14               | Data connection at 4800 bauds                          |
| CONNECT 9600             | 15               | Data connection at 9600 bauds                          |
| CONNECT 14400            | 16               | Data connection at 14400 bauds                         |
| +CSSI: <code1>[,<index>] | As verbose       | Supplementary service notification during a call setup |

## 1.8. GSM Sequences List

In accordance with **GSM 02.30**, the product supports the following GSM sequences, which can be used through the ATD and the +CKPD commands.

### 1.8.1. Security

|                      |                                                           |
|----------------------|-----------------------------------------------------------|
| Change PIN code      | **04* <i>OLDPIN</i> * <i>NEWPIN</i> * <i>NEWPIN</i> #     |
| Change PIN2 code     | **042* <i>OLDPIN2</i> * <i>NEWPIN2</i> * <i>NEWPIN2</i> # |
| Unlock PIN code      | **05* <i>PUK</i> * <i>NEWPIN</i> * <i>NEWPIN</i> #        |
| Unlock PIN2 code     | **052* <i>PUK2</i> * <i>NEWPIN2</i> * <i>NEWPIN2</i> #    |
| Show the IMEI number | *#06#                                                     |

### 1.8.2. Call Forwarding

Please refer to SC and BS values below in this paragraph.

|                           |                                   |
|---------------------------|-----------------------------------|
| Activate                  | *SC#                              |
| <i>or</i>                 | *SC**BS#                          |
| Register and activate     | **SC* <i>PhoneNumber</i> #        |
| <i>or</i>                 | **SC* <i>PhoneNumber</i> *BS#     |
| <i>or</i>                 | **SC* <i>PhoneNumber</i> *[BS]*T# |
| <i>or</i>                 | *SC* <i>PhoneNumber</i> #         |
| <i>or</i>                 | *SC* <i>PhoneNumber</i> *BS#      |
| <i>or</i>                 | *SC* <i>PhoneNumber</i> *[BS]*T#  |
| Check status              | *#SC#                             |
| <i>or</i>                 | *#SC**BS#                         |
| Deactivate                | #SC#                              |
| <i>or</i>                 | #SC**BS#                          |
| Unregister and deactivate | ##SC#                             |
| <i>or</i>                 | ##SC**BS#                         |

| Service Codes (SC) |                                  |
|--------------------|----------------------------------|
| 002                | all call forwarding              |
| 004                | all conditional call forwarding  |
| 21                 | call forwarding unconditional    |
| 61                 | call forwarding on no answer     |
| 62                 | call forwarding on not reachable |
| 67                 | call busy                        |

| Network Service Codes (BS) |                               |
|----------------------------|-------------------------------|
| No code                    | All tele- and bearer services |
| 10                         | All tele-services             |
| 11                         | Telephony                     |
| 12                         | All data tele-services        |
| 13                         | Fax services                  |
| 16                         | Short Message Services        |
| 17                         | Voice Group Call Service      |
| 18                         | Voice Broadcast Service       |
| 19                         | All tele-services except SMS  |
| 20                         | All bearer services           |
| 21                         | All asynchronous services     |
| 22                         | All synchronous services      |
| 24                         | All data circuit synchronous  |
| 25                         | All data circuit asynchronous |

---

*Note:* The no-reply condition timer (T), is only used for SC = 002, 004 or 61.

---

### 1.8.3. Call Barring

Please refer to SC values below in this paragraph. BS values are the same as above, see [Call Forwarding](#).

|                                  |                                |
|----------------------------------|--------------------------------|
| Activate                         | *SC*Password#                  |
| or                               | *SC*Password*BS#               |
| Check status                     | *#SC#                          |
| or                               | *#SC**BS#                      |
| Deactivate                       | #SC*Password#                  |
| or                               | #SC*Password*BS#               |
| Change password for call barring | **03*330*OLDPWD*NEWPWD*NEWPWD# |
| or                               | **03**OLDPWD*NEWPWD*NEWPWD#    |
| or                               | *03*330*OLDPWD*NEWPWD*NEWPWD#  |
| or                               | *03**OLDPWD*NEWPWD*NEWPWD#     |

| Service Codes (SC) |                                                              |
|--------------------|--------------------------------------------------------------|
| 33                 | call barring of outgoing call                                |
| 330                | all barring service (only for deactivation)                  |
| 331                | call barring of outgoing international call                  |
| 332                | call barring of outgoing international calls except to HPLMN |
| 333                | all outgoing barring service (only for deactivation)         |
| 35                 | call barring of incoming calls                               |
| 351                | call barring of incoming calls if roaming                    |
| 353                | all incoming barring service (only for deactivation)         |

### 1.8.4. Call Waiting

BS values are the same as above, see [Call Forwarding](#).

|              |          |
|--------------|----------|
| Activate     | *43*BS#  |
| Check status | *#43*BS# |
| Deactivate   | #43*BS#  |

### 1.8.5. Number Presentation

|                                |                         |
|--------------------------------|-------------------------|
| CLIP check status              | *#30#                   |
| CLIR check status              | *#31#                   |
| Suppress CLIR for a voice call | *31# <i>PhoneNumber</i> |
| Invoke CLIR for a voice call   | #31# <i>PhoneNumber</i> |
| COLP check status              | *#76#                   |

## 1.9. Operator Names

For more information, refer to the following documentation:

- SE13
- NAPRD 2.6.12

---

**Note:** *The Country Initials may vary for the same MCC (Mobile Country Code) without any impact.*

## 1.10. CPHS Information Field

| CPHS Information |           |                                                         |
|------------------|-----------|---------------------------------------------------------|
| Data field       | Bit Field | Meaning                                                 |
| 0                | None      | All information                                         |
| 1                | 0         | CSP service activated and allocated                     |
| 2                | 1         | SST service activated and allocated                     |
| 3                | 2         | Mailbox Number service activated and allocated          |
| 4                | 3         | Operator Name Shortform service activated and allocated |
| 5                | 4         | Information Numbers service activated and allocated     |
| 6                | 5         | RFU                                                     |
| 7                | 6         | RFU                                                     |
| 8                | 7         | RFU                                                     |
| 9                | 8         | Voice Message Waiting indicator for Line 1              |
| 10               | 9         | Voice Message Waiting indicator for Line 2              |
| 11               | 10        | Data Message Waiting indicator                          |
| 12               | 11        | Fax Message Waiting indicator                           |
| 13               | 12        | Call Forward Activated indicator for Line 1             |
| 14               | 13        | Call Forward Activated indicator for Line 2             |
| 15               | 14        | Call Forward Activated indicator for Data               |
| 16               | 15        | Call Forward Activated indicator for Fax                |
| 17               | 16        | Reserved                                                |
| 18               | 17        | Reserved                                                |
| 19               | 18        | Reserved                                                |
| 20               | 19        | Reserved                                                |
| 21               | 20        | Line 1 Mailbox Number available                         |
| 22               | 21        | Line 2 Mailbox Number available                         |
| 23               | 22        | Data Mailbox Number available                           |
| 24               | 23        | Fax Mailbox Number available                            |
| 25               | 24        | EF Mn Updateable                                        |

## 1.11. CSP Constants

### 1.11.1. Service Group: Call Offering

| Service                               | External value |
|---------------------------------------|----------------|
| Call Forwarding Unconditional         | 1              |
| Call Forwarding On User Busy          | 2              |
| Call Forwarding on No Reply           | 3              |
| Call Forwarding On User Not Reachable | 4              |
| Call Transfer                         | 5              |

### 1.11.2. Service Group: Call Restriction

| Service                                                                                | External value |
|----------------------------------------------------------------------------------------|----------------|
| Barring of All Outgoing Calls                                                          | 9              |
| Barring of Outgoing International Calls                                                | 10             |
| Barring of Outgoing International Calls except those directed to the Home PLMN country | 11             |
| Barring of All Incoming Calls when Roaming Outside the Home PLMN country               | 12             |
| BIC roam                                                                               | 13             |

### 1.11.3. Service Group: Other Supplementary Services

| Service             | External value |
|---------------------|----------------|
| Multi-Party Service | 17             |
| Closed User Group   | 18             |
| Advice Of Charge    | 19             |
| Preferential CUG    | 20             |
| CUG Outgoing Access | 21             |

### 1.11.4. Service Group: Group Completion

| Service                                                         | External value |
|-----------------------------------------------------------------|----------------|
| Call Hold                                                       | 25             |
| Call Waiting                                                    | 26             |
| Completion of Call to Busy Subscriber                           | 27             |
| Restriction of the menus allowing use of user to user signaling | 28             |

### 1.11.5. Service Group: Teleservices

| Service                                                                                    | External value |
|--------------------------------------------------------------------------------------------|----------------|
| Short Message – Mobile Terminated                                                          | 33             |
| Short Message – Mobile Originated                                                          | 34             |
| Short Message – Cell Broadcast                                                             | 35             |
| Restricts menu options for the ability to set reply path active on outgoing Short Messages | 36             |
| SMS Delivery Confirmation                                                                  | 37             |
| Restriction of menus for SMS Protocol ID options                                           | 38             |
| Validity Period, restriction of menus for SMS Validity period options                      | 39             |

### 1.11.6. Service Group: CPHS Teleservices

| Service                | External value |
|------------------------|----------------|
| Alternate Line Service | 41             |

### 1.11.7. Service Group: CPHS Features

| Service                       | External value |
|-------------------------------|----------------|
| Reserved: SST in phase 1 CPHS | 49             |

### 1.11.8. Service Group: Number Identification

| Service                                                  | External value |
|----------------------------------------------------------|----------------|
| Calling Line Identification Presentation                 | 57             |
| Connected Line Identification Restriction                | 59             |
| Connected Line Identification Presentation               | 60             |
| Malicious Call Indicator                                 | 61             |
| CLI per call mode – default block CLI – menu to send CLI | 63             |
| CLI per call mode – default send CLI – menu to block CLI | 64             |

### 1.11.9. Service Group: Phase 2+ Services

| Service                                                             | External value |
|---------------------------------------------------------------------|----------------|
| Menus concerned with GPRS functionality                             | 65             |
| Menus concerned with High Speed Circuit Switched Data functionality | 66             |
| ASCI Voice Group call menus                                         | 67             |
| ASCI Voice Broadcast service menus                                  | 68             |



| Service                                                                                             | External value |
|-----------------------------------------------------------------------------------------------------|----------------|
| Multi Subscriber profile menus                                                                      | 69             |
| Multiple band: Restriction of menus allowing user to select a particular GSM 900/ 1800 or 1900 band | 70             |

### 1.11.10. Service Group: Value Added Services

| Service                                                                             | External value |
|-------------------------------------------------------------------------------------|----------------|
| Restriction of menu options for manual PLMN selection                               | 73             |
| Restriction of menu options for Voice Mail or other similar menus                   | 74             |
| Restriction of menu options for the ability to send Short messages with type Paging | 75             |
| Restriction of menu options for the ability to send Short messages with type Email  | 76             |
| Restriction of menu options for Fax calls                                           | 77             |
| Restriction of menu options for Data calls                                          | 78             |
| Restriction of menus allowing the user to change language                           | 80             |

### 1.11.11. Service Group: Information Numbers

| Service                                                                              | External value |
|--------------------------------------------------------------------------------------|----------------|
| The ME shall only present Information numbers to the user if this field is set to FF | 81             |

---

*Note: External values not used in these tables are reserved for further use.*

---

## >> 2. Examples

This chapter gives illustrative examples of the general AT commands used for a communication. The presentation of commands and responses is as close as possible to what a user can see on its test monitor. Blank lines have been intentionally removed. The characters on the left margin are DTE generated. Middle column characters are embedded module generated.

### 2.1. Examples with the PIN Required

#### 2.1.1. When the ME has to be powered ON

```
AT+CMEE=1           Enable the report mobile equipment errors
OK
AT+CREG=1           Report registration
OK
AT+CPAS            Query ME Status
+CPAS: 5          (ME is asleep)
OK
AT+CFUN=1         Set ME to full functionality
OK
AT+COPS=0         Ask for automatic operator selection and registration.
+CME ERROR: 11 SIM PIN required.
AT+CPIN=1234      User entered a wrong PIN
+CME ERROR: 16 Incorrect password.
AT+CPIN=0000
OK               PIN Ok
AT+COPS=0         Ask for automatic operator selection and registration.
OK
+CREG:1          Registered on the network
AT+COPS=3,0      Select the long name alphanumeric format.
OK
AT+COPS?         Get the operator name
+COPS: 0,0,"I OMNITEL"
OK
```

## 2.1.2. When the ME has already been powered on

```
AT+CMEE=1           Enable the report mobile equipment errors
OK
AT+CPAS             Get the ME Status
+CPAS: 0           ME is ready to receive commands
OK
AT+CPIN?           Is ME requiring a password?
+CPIN: SIM PIN    Yes, SIM PIN required
AT+CPIN=0000
OK                 PIN Ok
```

## 2.2. Examples where a Voice Call is Originated

### 2.2.1. When the ME is powered on and the SIM PIN has been entered

```
AT+CMEE=1           Enable the reporting of mobile equipment errors
OK
AT+WIND=63         Ask to display the general indications.
OK
AT+CPIN?           Is ME requiring a password?
+CPIN: READY      product is ready
ATD0607103543;    Make a voice call
+WIND: 5,1        Indication of call
+WIND: 2          Remote party is ringing.
OK                Call setup was successful
Conversation...
ATH               Release the call
OK
```

### 2.2.2. When a voice call is attempted from a phonebook

```
ATD>"John Pamborn";
+CME ERROR: 22 The "John Pamborn" entry is not found.
ATD>"Joel Guerry";
+WIND: 5,1        Indication of outgoing call.
+WIND: 2          Remote party is ringing.
OK                Call setup was successful
Conversation...
ATH               Release the call
OK
```

## 2.3. Example with Incoming Calls

### 2.3.1. When the ME is powered on and the SIM PIN has been entered

```
AT+CMEE=1          Enable the report mobile equipment errors
OK
AT+WIND=63         Ask to display the general indications.
OK
AT+CLIP=1         Enable the calling line identification presentation.
OK
AT+CRC=1          Enable extended format of incoming indication.
OK
AT+CNUM           Query own number (voice number) or MSISDN.
+CNUM: "Speech", "+33608971019", 145
OK
Call this number from another equipment.
+WIND: 5, 1       Indication of call (Ring)
+CRING: VOICE     Type of call is VOICE.
+CLIP: "+33607103543", 145,, "John Panborn" Identification of the remote party.
+CRING: VOICE
ATA               Answer the call.
OK
...Conversation...
NO CARRIER       The call has been released by the remote party.
+WIND: 6,1        Indication of call release.
```

## 2.4. Example of a Call Forwarding

### 2.4.1. When the ME is powered on and the SIM PIN has been entered

```
AT+CMEE=1          Enable the report mobile equipment errors
OK
AT+CCFC=1,3,"0607492638" Register to a call forwarding when ME is busy.
OK
AT+CCFC=2,3,"0149293031",129 Register to a call forwarding when it does answer.
+CME ERROR: 30     No network service
AT+CCFC=1,2        Interrogate
+CCFC: 1,1,"+33607492638",145 Call forwarding active for a voice call.
AT+CCFC=1,4        Delete call forwarding ME busy
OK
```

## 2.5. Example of a Multiparty Call

**When the ME is powered on and the SIM PIN has been entered.**

```
AT+CMEE=1           Enable the report mobile equipment errors
    OK
AT+WIND=63          Ask to display the general indications.
    OK
AT+CCWA=1,1         Enable call waiting.
    OK
ATD>"John Panborn";
    +WIND: 5,1       Indication of call.
    +WIND: 2         Remote party is ringing.
    OK              Call setup was successful
...Conversation (call1)...
    +WIND: 5,2       Indication of another call.
    +CCWA: "+33595984834",145,"Dolores Claiborne" Another call is waiting.
AT+CHLD=2           Put first call on hold and answer the second one.
    OK
...Conversation (call2)...
AT+CHLD=3           Every call is part of a multiparty conversation.
    OK
AT+CHLD=11          Release the first call (with John Panborn) and recover the second call (with Dolores Claiborne)
...Conversation (call2)...
ATH                Release the second call.
```

## 2.6. Examples about Phonebooks

For each example illustrated in this section: at the beginning the ME is powered on and the SIM PIN has been entered.

### 2.6.1. Example 1: The whole phonebook of the ME is read

| Command                                                                                     | Response                                                                                                                                                          |
|---------------------------------------------------------------------------------------------|-------------------------------------------------------------------------------------------------------------------------------------------------------------------|
| <b>AT+CPBS=?</b><br><br><i>Note: Query supported phonebook memories</i>                     | +CPBS: ("SM", "FD", "ON")<br><br>OK<br><br><i>Note: ADN, FDN, and MSISDN phonebooks supported.</i>                                                                |
| <b>AT+CPBS="SM"</b><br><br><i>Note: Select ADN phonebook.</i>                               | OK                                                                                                                                                                |
| <b>AT+CPBR=?</b><br><br><i>Note: Read the index range and the length of the elements.</i>   | +CPBR: (1-80), 20, 14<br><br>OK<br><br><i>Note: 80 locations (from 1 to 80), max length of 20 for the phone number, 14 characters max for the text.</i>           |
| <b>AT+CPBR=1, 80</b><br><br><i>Note: Read all entries (only the set ones are returned).</i> | +CPBR: 1, "0346572834", 129, "Dolores Claiborne"<br><br>+CPBR: 2, "1284374523", 129, "Thad Beaumont"<br><br>+CPBR: 3, "1243657845", 129, "John Panborn"<br><br>OK |

### 2.6.2. Example 2: Erase or Write a Phonebook Entry

| Command                                                                               | Response                                                                                                                                                                       |
|---------------------------------------------------------------------------------------|--------------------------------------------------------------------------------------------------------------------------------------------------------------------------------|
| <b>AT+CPBW=?</b><br><br><i>Note: Get the phonebook type.</i>                          | +CPBW: (1-80), 20, (129, 145), 14<br><br>OK<br><br><i>Note: 80 locations, max length of 20 for the phone number, TON/NPI of 129 or 145 and 14 characters max for the text.</i> |
| <b>AT+CPBW=3</b><br><br><i>Note: Erase location 3</i>                                 | OK                                                                                                                                                                             |
| <b>AT+CPBW=3, "4356729012", 129, "Carry"</b><br><br><i>Note: Write at location 3.</i> | OK                                                                                                                                                                             |

| Command                                                                                    | Response                                                                                                                                   |
|--------------------------------------------------------------------------------------------|--------------------------------------------------------------------------------------------------------------------------------------------|
| <b>AT+CPBR=1,80</b><br><br><i>Note: Read all entries (only the ones set are returned).</i> | +CPBR:1,"0346572834",129,"Dolores<br>Claiborne"<br>+CPBR:2,"1284374523",129,"Thad Beaumont"<br>+CPBR: 3,"4356729012",129,"Carry"<br><br>OK |

### 2.6.3. Example 3: Find Phonebook Entries

| Command                                                                | Response                                                                                                      |
|------------------------------------------------------------------------|---------------------------------------------------------------------------------------------------------------|
| <b>AT+CPBF=?</b><br><br><i>Note: Get the phonebook type.</i>           | +CPBF: 20,14<br><br>OK<br><br><i>Note: Max length of 20 for the phone number, 10 characters for the text.</i> |
| <b>AT+CPBF="D"</b><br><br><i>Note: Read entries starting with "D".</i> | +CPBF: 1,"0346572834",129,"Dolores<br>Clairborne"<br><br>OK                                                   |
| <b>AT+CPBF="W"</b><br><br><i>Note: Read entries with "W".</i>          | +CME ERROR: 22<br><br><i>Note: Entry not found.</i>                                                           |

## 2.6.4. Example 4: Phonebook and Custom Character Set

The Custom To Extended GSM conversion table and the Extended GSM To Custom conversion table can be used to display the extended GSM characters:

`| ^ € { } [ ] ~ \`

To manage one of these extended characters, the character 0x1B must be set in the right place (in the position corresponding to the value of the ASCII code) in the Custom to GSM conversion table (instead of 0x20 (space ASCII code)).

For example, the ASCII code of \ (backslash) is 0x5C, the character 0x1B must be set at the position 0x5C of the Custom to GSM conversion table. The range of character 0x5C in this table is 92. So to update the table the command AT+WCCS=1,0,92 will be used.

In the other way, write the space ASCII code 0x20 in the right place in the Custom to GSM conversion table if an extended character is not needed.

| Command                                                                                                                                                                                                                                                                                                                                                                                                                                                                                                                                                                                                                  | Response                                                                                                       |
|--------------------------------------------------------------------------------------------------------------------------------------------------------------------------------------------------------------------------------------------------------------------------------------------------------------------------------------------------------------------------------------------------------------------------------------------------------------------------------------------------------------------------------------------------------------------------------------------------------------------------|----------------------------------------------------------------------------------------------------------------|
| <p><b>AT+CPBS?</b></p> <p><i>Note: Query the current phonebook</i></p>                                                                                                                                                                                                                                                                                                                                                                                                                                                                                                                                                   | <p>+CPBS: 3,80<br/>OK</p> <p><i>Note: ADN selected, 3 entries stored</i></p>                                   |
| <p><b>AT+WPCS?</b></p> <p><i>Note: Query the current phonebook char set</i></p>                                                                                                                                                                                                                                                                                                                                                                                                                                                                                                                                          | <p>+WPCS: "TRANSPARENT"<br/>OK</p> <p><i>Note: Transparent mode selected</i></p>                               |
| <p><b>AT+CPBR=1</b></p>                                                                                                                                                                                                                                                                                                                                                                                                                                                                                                                                                                                                  | <p>+CPBR: 1,"0146290800",129,"S<br/>bastien"<br/>OK</p> <p><i>Note: GSM character "é" is not displayed</i></p> |
| <p><b>AT+WCCS=1,0,0,255</b></p> <p>&gt;2020202020202020200A20200D202020202020205F20<br/>2020202020202020202122230225262728292A2B2C2D2<br/>E2F303132333435363738393A3B3C3D3E3F004142434445<br/>464748494A4B4C4D4E4F505152535455565758595A20202<br/>02011206162636465666768696A6B6C6D6E6F7071727374<br/>75767778797A20202020202020202020202020202020202<br/>02020202027272020202020202020202020202020402001<br/>2403205F20202020202D20202020202027202020202020<br/>020202060414141415B0E1C09451F454549494949445D4F<br/>4F4F4F5C200B5555555E59201E7F6161617B0F1D6304056<br/>56507696969207D086F6F6F7C200C0675757E792079</p> | <p>OK</p>                                                                                                      |
| <p><b>AT+WCCS=1,1,0,127</b></p> <p>&gt;40A324A5E8E9F9ECF2C70AD8F80DC5E5205F2020202020<br/>2020202020C6E6DFC920212223A425262728292A2B2C2D2<br/>E2F303132333435363738393A3B3C3D3E3FA14142434445<br/>464748494A4B4C4D4E4F505152535455565758595AC4D6D<br/>1DCA7BF6162636465666768696A6B6C6D6E6F7071727374<br/>75767778797A4E4F6F1FCE0</p> <p><i>Note: Set the custom character set tables to enable a GSM to default<br/>font conversion</i></p>                                                                                                                                                                             | <p>OK</p>                                                                                                      |



---

| Command                                                              | Response                                                                                                   |
|----------------------------------------------------------------------|------------------------------------------------------------------------------------------------------------|
| <b>AT+WPCS="CUSTOM"</b><br><i>Note: Use the custom character set</i> | OK                                                                                                         |
| <b>AT+CPBR=1</b>                                                     | +CPBR:<br>1, "0146290800", 129, "Sébastien"<br>OK<br><i>Note: GSM character "é" is correctly displayed</i> |

## 2.6.5. Example 5: Use the Extended Phonebook

| Command                           | Response                                                                                   |
|-----------------------------------|--------------------------------------------------------------------------------------------|
| AT+WCOS?                          | +WCOS: 0<br>OK<br><i>Note: Phonebook not extended</i>                                      |
| AT+CPBS?                          | +CPBS: "SM", 10, 20<br>OK<br><i>Note: Selected phonebook: ADN</i>                          |
| AT+CPBW=1, "0123456", , "test"    | OK<br><i>Note: Write an entry in SIM</i>                                                   |
| AT+CPBR=1                         | +CPBR: 1, "0123456", 129, "test"<br>OK<br><i>Note: Read an entry in SIM</i>                |
| AT+CPBW=1, "0123456", , "test", 1 | +CME ERROR: 3<br><i>Note: +WCOS=0; you can't write a phonebook group</i>                   |
| AT+WCOS=1                         | OK<br><i>Note: Phonebook extended in SIM</i>                                               |
| AT+CPBW=1, "0123456", , "test", 1 | OK<br><i>Note: Write an entry in SIM</i>                                                   |
| AT+CPBR=1                         | +CPBR: 1, "0123456", 129, "test", 1<br>OK<br><i>Note: Read an entry in SIM (extended)</i>  |
| AT+WCOS=0                         | OK                                                                                         |
| AT+WCOS?                          | +WCOS: 0<br>OK<br><i>Note: Phonebook not extended</i>                                      |
| AT+CPBR=1                         | +CPBR: 1, "0123456", 129, "test"<br>OK<br><i>Note: Read an entry in SIM (not extended)</i> |
| AT+CPBS="ME"                      | OK<br><i>Note: Selected phonebook: ME (Flash)</i>                                          |

| Command                                                                                                                                                                             | Response                                                                                                                                                                    |
|-------------------------------------------------------------------------------------------------------------------------------------------------------------------------------------|-----------------------------------------------------------------------------------------------------------------------------------------------------------------------------|
| <code>AT+WCOS=1</code>                                                                                                                                                              | OK<br><i>Note: Phonebook extended</i>                                                                                                                                       |
| <code>AT+CPBW=1, "+331290909", 145, "Fred", "0141284549", 129, "0600003210", 129, "0141280000", 129, "019876543210", 129, "fred@mywebaddress.com", "Becker Street London", 1</code> | OK<br><i>Note: Write an entry in Flash</i>                                                                                                                                  |
| <code>AT+CPBR=1</code>                                                                                                                                                              | +CPBR: 1, "+331290909", 145, "Fred", "0141284549", 129, "0600003210", 129, "0141280000", 129, "019876543210", 129, "fred@mywebaddress.com", "Becker Street London", 1<br>OK |
| <code>AT+WCOS=0</code>                                                                                                                                                              | OK                                                                                                                                                                          |
| <code>AT+CPBR=1</code>                                                                                                                                                              | +CPBR: 13, "+331290909", 145, "Fred"<br>OK<br><i>Note: Read an entry in Flash (not extended)</i>                                                                            |

To use the extended ME phonebook, you must do:

`AT+CPBS="ME"`

`AT+WCOS=1`

To use the extended ADN phonebook, you must do:

`AT+CPBS="SM"`

`AT+WCOS=1`

To use the not extended phonebook, you must do:

`AT+WCOS=0`

## 2.6.6. Example 6: Phonebook and Custom Character Set

| Command                                                                                                                                                                                                                                                                                                                                                                                                                                                                                                                                                                                                                           | Response                                                                                                                         |
|-----------------------------------------------------------------------------------------------------------------------------------------------------------------------------------------------------------------------------------------------------------------------------------------------------------------------------------------------------------------------------------------------------------------------------------------------------------------------------------------------------------------------------------------------------------------------------------------------------------------------------------|----------------------------------------------------------------------------------------------------------------------------------|
| <b>AT+CPBS?</b><br><br><i>Note: Query the current phonebook</i>                                                                                                                                                                                                                                                                                                                                                                                                                                                                                                                                                                   | +CPBS: 3,80<br><br>OK<br><br><i>Note: ADN selected, 3 entries stored</i>                                                         |
| <b>AT+WPCS?</b><br><br><i>Note: Query for the current phonebook character set</i>                                                                                                                                                                                                                                                                                                                                                                                                                                                                                                                                                 | +WPCS: "TRANSPARENT"<br><br>OK<br><br><i>Note: Transparent mode selected</i>                                                     |
| <b>AT+CPBW=1,"0146290800",129,"test of { }"</b>                                                                                                                                                                                                                                                                                                                                                                                                                                                                                                                                                                                   |                                                                                                                                  |
| <b>AT+CPBR=1</b>                                                                                                                                                                                                                                                                                                                                                                                                                                                                                                                                                                                                                  | +CPBR: 1,"0146290800",129," test<br>of "<br><br>OK<br><br><i>Note: GSM characters "{" and "}" are not displayed</i>              |
| <b>AT+WCCS=1,0,0,255&lt;CR&gt;</b><br><br>>20202020202020202020200A20200D202020202020205F20<br>20202020202020202020202122230225262728292A2B2C2D2<br>E2F303132333435363738393A3B3C3D3E3F004142434445<br>464748494A4B4C4D4E4F505152535455565758595A1B1B1<br>B1B11206162636465666768696A6B6C6D6E6F7071727374<br>75767778797A1B1B1B1B201B202020202020202020202<br>02020202027272020202020202020202020202020402001<br>2403205F20202020202D2020202020202720202020202<br>020202060414141415B0E1C09451F4545494949445D4F<br>4F4F4F5C200B5555555E59201E7F6161617B0F1D6304056<br>56507696969207D086F6F6F7C200C0675757E792079<br><br><CTRL-Z> | OK                                                                                                                               |
| <b>AT+WCCS=1,1,0,127&lt;CR&gt;</b><br><br>>40A324A5E8E9F9ECF2C70AD8F80DC5E5205F2020202020<br>2020202020C6E6DFC920212223A425262728292A2B2C2D2<br>E2F303132333435363738393A3B3C3D3E3FA14142434445<br>464748494A4B4C4D4E4F505152535455565758595AC4D6D<br>1DCA7BF6162636465666768696A6B6C6D6E6F7071727374<br>75767778797AE4F6F1FCE0<br><br><CTRL-Z><br><br><i>Note: Set the custom character set tables to enable a GSM to default<br/>font conversion</i>                                                                                                                                                                            | OK                                                                                                                               |
| <b>AT+WPCS="CUSTOM"</b><br><br><i>Note: Use the custom character set</i>                                                                                                                                                                                                                                                                                                                                                                                                                                                                                                                                                          | OK                                                                                                                               |
| <b>AT+CPBR=1</b>                                                                                                                                                                                                                                                                                                                                                                                                                                                                                                                                                                                                                  | +CPBR: 1,"0146290800",129," test<br>of { }"<br><br>OK<br><br><i>Note: GSM characters "{" and "}" are correctly<br/>displayed</i> |

## 2.6.7. Example 7: MT Phonebook (read only)

| Command                                                                | Response                                                                                                                                                                                                                                                                                                                                     |
|------------------------------------------------------------------------|----------------------------------------------------------------------------------------------------------------------------------------------------------------------------------------------------------------------------------------------------------------------------------------------------------------------------------------------|
| <b>AT+CPBS="MT"</b><br>                                                | OK<br><i>Note: Select MT phonebook</i>                                                                                                                                                                                                                                                                                                       |
| <b>AT+WCOS=1</b><br><i>Note: Select extended entries</i>               | OK                                                                                                                                                                                                                                                                                                                                           |
| <b>AT+CPBF=""</b><br><i>Note: Read all entries</i>                     | <pre>+CPBF: 1,"0987654321",129," Carry",0 +CPBF: 2;"9876543210",129,"John",0 +CPBF: 31,"0346572834",129,"Dolores Claiborne","9876543210",129,"",",",,"654789123 0",129,"dolores@mywebaddress.com"," Becker Street London",0 +CPBF: 32,"6547892012",129,"Pierre","", ",",",,"9874521021",129,"",",",,"Pierre@mywebadres s.com", "",0</pre> OK |
| <b>AT+WCOS=0</b><br><i>Note: Select extended entries: not extended</i> | OK                                                                                                                                                                                                                                                                                                                                           |
| <b>AT+CPBF=""</b><br><i>Note: Read all entries</i>                     | <pre>+CPBF: 1,"0987654321",129," Carry" +CPBF: 2;"9876543210",129,"John" +CPBF: 31,"0346572834",129,"Dolores Claiborne" +CPBF: 32,"6547892012",129,"Pierre"</pre> OK                                                                                                                                                                         |

Index: 1 and 2 → SM phonebook entries

Index: 31 and 32 → ME phonebook entries

## 2.7. Examples about Short Messages

### 2.7.1. Send a Short Message

AT+CNMI=0,1,1,1,0                      *SMS-DELIVERs are directly stored, SMS-STATUS-REPORTs are displayed*  
OK

AT+CSMP=17,169,0,0                      *SMS-SUBMIT message with a validity period (one day)*  
OK

AT+CMGF=1                                  *Text mode to send a Short Message*  
OK

AT+CSCA="+33608080706"                      *Set Service Center Address to +33608080706*  
OK

AT+CMGS=0601290800                      *Send a SMS-SUBMIT to mobile phone*  
*Product sends a 4 characters sequence: 0x0D 0x0A 0x3E 0x20*  
This is the first text line                      *Edit first line and press carriage return (<CR>, 0x0D)*  
This is the last text line                      *Edit last line and send message by pressing <ctrl-Z> (0x1A)*  
+CMGS: 5                                      *Success: message reference 5 is returned from the SMS Service Center*  
+CDS: 2,5,"0601290800",129,"99/05/01 14:15:10+04"  
*Success: report of successful message delivery received*

### 2.7.2. Read Short Messages

AT+CMGF=1                                  *Text mode to read Short Messages*

AT+CMGL="ALL"                              *List all stored messages*  
+CMGL: 1,"REC READ","+336290918",,"99/05/01 14:15:10+04"  
I will be late                                  *This is the first message*  
+CMGL: 2,"REC UNREAD","+336290918",,"99/05/01 14:19:44+04"  
Traffic jam on Broadway                      *This is the second message*  
OK

AT+CMGR=1                                  " "                      *Read the first message*  
+CMGR: "REC READ","+336290918",,"99/05/01 14:19:44+04"  
OK

## 2.8. Examples about Fax Class 2

### 2.8.1. Send a Fax Class 2

```
AT+FCLASS=2           Select fax class 2
OK
AT+FLID="LocalFax"
OK
ATD0601234567         Call establishment
+FCON                 Connection OK
[+FCSI: "RemoteFax"]
+FDIS:0,3,0,2,0,0,0
OK
AT+FDT               Beginning of the data transfer
+FDCS:0,3,0,2,0,0,0
CONNECT
<0x11h>              Send carrier
First page data terminated by <0x10h><0x03h>
OK                   Page transmitted
AT+FET=0             Send another page
+FPTS:1              First page acquitted
OK
AT+FDT
CONNECT
<0x11h>              Send carrier
Second page data terminated by <0x10h><0x03h>
OK                   Page transmitted
AT+FET=2             No more page
+FPTS:1              First page acknowledged
+FHNG:0              Normal end of connection
OK
```

## 2.8.2. Receive a Fax Class 2

```
AT+FCR=1
      OK
AT+FLID="LocalFax"
      OK
      RING           Incoming call
ATA           Answer
+FCON        Connection OK
      [+FTSI: "RemoteFax"]
      +FDCS:0,3,0,2,0,0,0,0
      OK
AT+FDR
      +FCFR
      +FDCS:0,3,0,2,0,0,0,0
      CONNECT
      <0x12h>           Receive page carrier
      First page data terminated by
      <0x10h><0x03h>
      OK           Page received
+FPST:1      First page acknowledged
+FET:0       To receive another page
      OK
AT+FDR
      +FDCS:0,3,0,2,0,0,0,0
      CONNECT
      <0x12h>           Receive page carrier
      Second page data terminated by
      <0x10h><0x03h>
      OK           Page received
+FPST:1      Second page acknowledged
+FET:2       No more page to receive
      OK
AT+FDR
      +FHNG:0          Normal end of connection
      OK
```



## 2.9. +CSIM and +CRSM Examples

---

*Note: if SIM answer is not specified in the following examples, it will mean that the answer will depend on the SIM content.*

---

### 2.9.1. DF GSM Selection and then Status

```
AT+CSIM=14,"A0A40000027F20"
```

```
+CSIM=4,"9F16"
```

```
OK
```

```
AT+CSIM=10,"A0F2000016"
```

```
+CSIM=48,"..."
```

```
OK
```

### 2.9.2. DF Telecom Selection and then Status

```
AT+CSIM=14,"A0A40000027F10"
```

```
+CSIM=4,"9F16"
```

```
OK
```

```
AT+CSIM=10,"A0F2000016"
```

```
+CSIM=48,"..."
```

```
OK
```

### 2.9.3. EF ADN Selection and then Status

*DF Telecom selection is mandatory just before the following AT commands.*

```
AT+CSIM=14,"A0A40000026F3A"
```

```
+CSIM=4,"9F0F"
```

```
OK
```

```
AT+CSIM=10,"A0C000000F"
```

```
+CSIM=34,"..."
```

```
OK
```

### 2.9.4. Status Commands

*Status – No File Id – without P1,P2, P3*

```
AT+CRSM=242
```

*Status – 6F3A (EF ADN) – without P1, P2, P3*

```
AT+CRSM=242,28474
```

*Status – 6F07 (EF IMSI) – without P1, P2, P3*

```
AT+CRSM=242,28423
```

*Status – 3F00 (MF) – without P1, P2, P3*

**AT+CRSM=242,16128**

*Status – 7F10 (DF Telecom) – without P1, P2, P3*

**AT+CRSM=242,32528**

*Status – 7F20 (DF GSM) – without P1, P2, P3*

**AT+CRSM=242,32544**

## 2.9.5. Get Response Commands

*Get Response – (EF ADN) – without P1, P2, P3*

**AT+CRSM=192,28474**

*Get Response – (EF IMSI) – without P1, P2, P3*

**AT+CRSM=192, 28423**

*Get Response – (MF) – without P1, P2, P3*

**AT+CRSM=192,16128**

*Get Response – (DF Telecom) – without P1, P2, P3*

**AT+CRSM=192,32528**

*Get Response – (DF GSM) – without P1, P2, P3*

**AT+CRSM=192,32544**

*Get Response – 6F07 (EF IMSI)*

**AT+CRSM=192, 28423,0,0,15**

## 2.9.6. Read Record Commands

*Read Record – EF ADN (Pin Code validated)*

**AT+CRSM=178,28474,1,4,28**

## 2.10. + WBHV Examples

### 2.10.1. Restart the embedded module

**AT+CFUN=1**

OK

### 2.10.2. Interrogate embedded module Configuration

**AT+WBHV?**

+WBHV: 0,0

+WBHV: 1,0

+WBHV: 2,0

+WBHV: 3,0,0

OK

### 2.10.3. Activate ENS Feature

*There is no STK session open yet.*

```
AT+WBHV=3,1
+CME ERROR: 3
```

### 2.10.4. Open a STK Session

```
AT+STSF=2,"5FFFFFFF7F"
```

OK

```
AT+STSF=1
```

OK

### 2.10.5. Activate ENS Feature

```
AT+WBHV=3,1
```

OK

```
AT+WBHV=3
```

```
+WBHV: 3,1,1 // Embedded module reset is needed
```

OK

### 2.10.6. Restart the embedded module and Interrogate ENS Feature Mode

```
AT+CFUN=1
```

OK

```
AT+WBHV=3
```

```
+WBHV: 3,1,0
```

OK

### 2.10.7. Deactivate ENS Feature

```
AT+WBHV=3,0
```

OK

```
AT+WBHV=3
```

```
+WBHV: 3,0,1 // Embedded module reset is needed
```

OK

## 2.10.8. Restart the Embedded module and Interrogate embedded module ENS Feature Mode

```
AT+CFUN=1
```

```
OK
```

```
AT+WBHV=3
```

```
+WBHV: 3,0,0           // Embedded module reset is not needed
```

```
OK
```

## 2.10.9. Activate and Deactivate the Feature

```
AT+WBHV=3,1
```

```
OK
```

```
AT+WBHV=3
```

```
+WBHV: 3,1,1           // Embedded module reset is needed
```

```
OK
```

```
AT+WBHV=3,0
```

```
OK
```

```
AT+WBHV=3
```

```
+WBHV: 3,0,0           // Embedded module reset is not needed
```

```
OK
```

## 2.10.10. Restore Factory Settings

|                                            |
|--------------------------------------------|
| Case 1: ENS feature is already deactivated |
|--------------------------------------------|

```
AT+WBHV=3
```

```
+WBHV: 3,0,0           // Embedded module reset is not needed
```

```
OK
```

```
AT&F
```

```
OK
```

```
AT+WBHV=3
```

```
+WBHV: 3,0,0           // Embedded module reset is not needed
```

```
OK
```

```
Activate the ENS feature
```

```
AT+WBHV=3,1
```

```
OK
```

```
AT+WBHV=3
```

```
+WBHV: 3,1,1           // Embedded module reset is needed
```

```
OK
AT&F // restore the factory settings again
OK
AT+WBHV=3
+WBHV: 3,0,0 // Embedded module reset is not needed for the new setting
OK
```

#### Case 2: ENS feature is already activated

```
AT+WBHV=3
+WBHV: 3,1,0 // Embedded module reset is not needed
OK
AT&F
OK
AT+WBHV=3
+WBHV: 3,0,1 // Embedded module reset is needed for the new setting
OK // since the ENS feature mode before AT&F is '1'
```

## 2.11. +WDSI Examples

### 2.11.1. No user agreement, no job on server, no error

```
AT+WDSS=1,1
OK
+WDSI: 4
+WDSI: 6
+WDSI: 8
```

### 2.11.2. No user agreement, bad authentication

```
AT+WDSS=1,1
OK
+WDSI: 4
+WDSI: 5
+WDSI: 7
```

### 2.11.3. No user agreement, bad server URL

```
AT+WDSS=1,1
OK
+WDSI: 4
+WDSI: 7
AT+WDSE
```

```
+WDSE: 404  
OK
```

### 2.11.4. No user agreement, server error during the session

```
AT+WDSS=1,1  
OK  
+WDSI: 4  
[+WDSI: 6]  
[+WDSI: 9]  
+WDSI: 7  
AT+WDSE  
+WDSE: 500  
OK
```

### 2.11.5. No user agreement, package download, no DOTA pre-emption

```
AT+WDSS=1,1  
OK  
+WDSI: 4  
+WDSI: 6  
+WDSI: 8  
+WDSI: 9,<size>  
+WDSI: 18  
[+WDSI: 18,"1%"]  
...  
+WDSI: 18,"100%"  
+WDSI: 10
```

### 2.11.6. No user agreement, download failure, no DOTA pre-emption

```
AT+WDSS=1,1  
OK  
+WDSI: 4  
+WDSI: 6  
+WDSI: 8  
+WDSI: 9,<size>  
+WDSI: 18  
[+WDSI: 18,"1%"]
```

```
...
+WDSI: 11
+WDSI: 4 (reconnection to the server to send the status)
+WDSI: 6
+WDSI: 8
```

### 2.11.7. No user agreement, not enough space to store package

```
AT+WDS=1,1
OK
+WDSI: 4
+WDSI: 6
+WDSI: 8
+WDSI: 11 (No +WDSI: 9)
+WDSI: 4 (reconnection to the server to send the status)
+WDSI: 6
+WDSI: 8
```

### 2.11.8. User agreement for connection, no job on server

```
+WDSI: 1
AT+WDSR=1
OK
+WDSI: 4
+WDSI: 6
+WDSI: 8
```

### 2.11.9. User agreement for download, no DOTA pre-emption

```
+WDSI: 4
+WDSI: 6
+WDSI: 8
+WDSI: 9,<size>
+WDSI: 2
AT+WDSR=3
OK
+WDSI: 18
[+WDSI: 18,"1%"]
...
+WDSI: 18,"100%"
+WDSI: 10
```

### 2.11.10. User agreement for install, valid package

```
+WDSI: 3
AT+WDSR=4
OK
+WDSI: 12
+WDSI: 14
Reset
+WDSI: 16
```

### 2.11.11. No user agreement, download and install, valid package, no DTOA pre-emption

```
AT+WDSR=1,1
OK
+WDSI: 4
+WDSI: 6
+WDSI: 8
+WDSI: 9,<size>
+WDSI: 18
[+WDSI: 18,"1%"]
...
+WDSI: 18,"100%"
+WDSI: 10
+WDSI: 12
```



```
+WDSI: 14
Reset
+WDSI: 16
```

### 2.11.12. User agreement for download and install, invalid package (bad signature), no DOTA pre-emption

```
AT+WDS=1,1
OK
+WDSI: 4
+WDSI: 6
+WDSI: 8
+WDSI: 9,<size>
+WDSI: 2
AT+WDSR=3
[+WDSI: 18,"1%"]
...
+WDSI: 18,"100%"
+WDSI: 10
+WDSI: 3
AT+WDSR=4
OK
+WDSI: 13
```

### 2.11.13. No user agreement, download and install, invalid package (bad signature), no DOTA pre-emption

```
AT+WDS=1,1
OK
+WDSI: 4
+WDSI: 6
+WDSI: 8
+WDSI: 9,<size>
+WDSI: 18
[+WDSI: 18,"1%"]
...
+WDSI: 18,"100%"
+WDSI: 10
+WDSI: 13
```

## 2.11.14. Recovery

```
+WDSI: 8
+WDSI: 12
+WDSI: 14
Reset
+WDSI: 17,0
```

## 2.11.15. No user agreement, package download, install, DOTA pre-emption, no reverse patch

```
+WDSI: 4
+WDSI: 6
+WDSI: 8
+WDSI: 19,1 (one sector was pre-empted)
+WDSI: 9,<size>
+WDSI: 18
[+WDSI: 18,"1%"]
...
+WDSI: 18,"100%"
+WDSI: 10
+WDSI: 12
+WDSI: 14
Reset
+WDSI: 16
+WDSI: 19
+WDSI: 4
+WDSI: 6
+WDSI: 8
```

## 2.11.16. No user agreement, package download, install, DOTA pre-emption, reverse patch

```
+WDSI: 4
+WDSI: 6
+WDSI: 8
+WDSI: 19,1 (one sector was pre-empted)
+WDSI: 9,<size>
+WDSI: 18
[+WDSI: 18,"1%"]
...
+WDSI: 18,"100%"
```

```
+WDSI: 10
+WDSI: 12
+WDSI: 14
Reset
+WDSI: 16
+WDSI: 19,1 (reverse patch, so the package is kept in flash)
+WDSI: 4
+WDSI: 6
+WDSI: 8
```

## 2.12. Full AT GPRS Commands Examples

### 2.12.1. Activation of an IP PDP Context

- Example 1:

```
AT+CGDCONT=1,"IP","internet";+CGDCONT=2,"IP","abc.com"  
OK  
ATD*99***1#  
CONNECT
```

- Example 2:

```
AT+CGCLASS="CG"  
OK  
+CGREG: 1  
AT+CGDCONT=1,"IP","internet"  
OK  
AT+CGQREQ=1,1,4,5,2,14  
OK  
AT+CGQMIN=1,1,4,5,2,14  
OK  
AT+CGATT=1  
OK  
AT+CGACT=1,1  
OK
```

---

*Note:* +CGDATA: the goal of this command is the same as ATD\*99\*\*\*

---

```
AT +CGDATA=1  
CONNECT  
.....  
Data transfer  
.....  
+CGEV: NW DETACH
```

### 2.12.2. Network Request

```
AT+CGAUTO=0  
OK  
+CRING: GPRS "IP", "211.45.89.152"  
AT+CGANS=1  
CONNECT  
.....Data transfer
```

## 2.12.3. 3G Quality of Service Profile (Requested) +CGEQREQ - Example

*Test command*

**AT+CGEQREQ=?**

```
+CGEQREQ: "IP", (0-4), (0-384, 65535), (0-384, 65535), (0-384, 65535), (0-384, 65535), (0-2), (0, 10-1500, 1502, 1510, 1520), ("0E0", "1E1", "1E2", "7E3", "1E3", "1E4", "1E5", "1E6"), ("0E0", "5E2", "1E2", "5E3", "4E3", "1E3", "1E4", "1E5", "1E6", "6E8"), (0-3), (0, 10-4000), (0-3)
```

```
+CGEQREQ: "PPP", (0-4), (0-384, 65535), (0-384, 65535), (0-384, 65535), (0-384, 65535), (0-2), (0, 10-1500, 1502, 1510, 1520), ("0E0", "1E1", "1E2", "7E3", "1E3", "1E4", "1E5", "1E6"), ("0E0", "5E2", "1E2", "5E3", "4E3", "1E3", "1E4", "1E5", "1E6", "6E8"), (0-3), (0, 10-4000), (0-3)
```

OK

*Define primary PDP contexts #1 and #2*

**AT+CGDCONT=1,"IP","internet";+CGDCONT=2,"IP","abc.com"**

OK

*Ask for 3G QoS Profiles*

**AT+CGEQREQ?**

```
+CGEQREQ: 1, 4, 0, 0, 0, 0, 2, 0, "0E0", "0E0", 3, 0, 0
```

```
+CGEQREQ: 2, 4, 0, 0, 0, 0, 2, 0, "0E0", "0E0", 3, 0, 0
```

OK

*Specifies a 3G QoS profile for PDP context #1*

**AT+CGEQREQ=1, 3, 0, 128, 0, 0, 2, 1500, "0E0", "0E0", 3, 0, 0**

OK

*Ask for QoS Profiles*

**AT+CGEQREQ?**

```
+CGEQREQ: 1, 3, 0, 128, 0, 0, 2, 1500, "0E0", "0E0", 3, 0, 0
```

```
+CGEQREQ: 2, 4, 0, 0, 0, 0, 2, 0, "0E0", "0E0", 3, 0, 0
```

OK

*Undefined 3G QoS profile for PDP context #1*

**AT+CGEQREQ=1**

OK

*Ask for 3G QoS Profiles*

**AT+CGEQREQ?**

+CGEQREQ: 1,4,0,0,0,0,2,0,"0E0","0E0",3,0,0

+CGEQREQ: 2,4,0,0,0,0,2,0,"0E0","0E0",3,0,0

OK

*Specifies a 3G QoS profile for PDP context #1*

**AT+CGEQREQ=1,3,0,128,0,0,2,1500,"0E0","0E0",3,0,0**

OK

*Ask for 3G QoS Profiles*

**AT+CGEQREQ?**

+CGEQREQ: 1,3,0,128,0,0,2,1500,"0E0","0E0",3,0,0

+CGEQREQ: 2,4,0,0,0,0,2,0,"0E0","0E0",3,0,0

OK

*Specifies a 3G QoS profile for PDP context #3 which is not defined yet*

**AT+CGEQREQ=3,3,32,0,0,0,2,0,"0E0","0E0",3,0,0**

+CME ERROR: 3

## 2.12.4. 3G Quality of Service Profile (Minimum acceptable) +CGEQMIN - Example

*Define primary PDP contexts #1 and #2*

**AT+CGDCONT=1,"IP","internet";+CGDCONT=2,"IP","abc.com"**

OK

*Test command*

**AT+CGEQMIN=?**

+CGEQMIN "IP", (0-4), (0-384,65535), (0-384,65535), (0-384,65535), (0-384,65535), (0-2), (0,10-1500,1502,1510,1520), ("0E0","1E1","1E2","7E3","1E3","1E4","1E5","1E6"), ("0E0","5E2","1E2","5E3","4E3","1E3","1E4","1E5","1E6","6E8"), (0-3), (0,10-4000), (0-3)

+CGEQMIN: "PPP", (0-4), (0-384,65535), (0-384,65535), (0-384,65535), (0-384,65535), (0-2), (0,10-1500,1502,1510,1520), ("0E0","1E1","1E2","7E3","1E3","1E4","1E5","1E6"), ("0E0","5E2","1E2","5E3","4E3","1E3","1E4","1E5","1E6","6E8"), (0-3), (0,10-4000), (0-3)

OK

*Ask for minimum 3G QoS Profiles*

**AT+CGEQMIN?**

+CGEQMIN: 1,4,0,0,0,0,2,0,"0E0","0E0",3,0,0

+CGEQMIN: 2,4,0,0,0,0,2,0,"0E0","0E0",3,0,0

OK

*Specifies a minimum 3G QoS profile for PDP context #1.*

**AT+CGEQMIN=1,3,0,128,0,0,2,1500,"0E0","0E0",3,0,0**

OK

*Specifies a minimum 3G QoS profile for PDP context #3 where #3 is not defined yet.*

**AT+CGEQMIN=3,3,32,0,0,0,2,0,"0E0","0E0",3,0,0**

+CME ERROR: 3

*Ask for 3G QoS Profiles*

**AT+CGEQMIN?**

+CGEQMIN: 1,3,0,128,0,0,2,1500,"0E0","0E0",3,0,0

+CGEQMIN: 2,4,0,0,0,0,2,0,"0E0","0E0",3,0,0

OK

*Undefined the minimum 3G QoS profile for PDP context #1*

**AT+CGQMIN=1**

OK

*Ask for the minimum 3G QoS Profiles*

**AT+CGEQMIN?**

+CGEQMIN: 1,4,0,0,0,0,2,0,"0E0","0E0",3,0,0

+CGEQMIN: 2,4,0,0,0,0,2,0,"0E0","0E0",3,0,0

OK

*Specifies a minimum 3G QoS profile for PDP context #1*

**AT+CGEQMIN=1,3,0,128,0,0,2,1500,"0E0","0E0",3,0,0**

OK

*Ask for the minimum 3G QoS Profiles*

**AT+CGEQMIN?**

+CGEQMIN: 1,3,0,128,0,0,2,1500,"0E0","0E0",3,0,0

+CGEQMIN: 2,4,0,0,0,0,2,0,"0E0","0E0",3,0,0

OK

## 2.12.5. 3G Quality of Service Profile (Negotiated) +CGEQNEG - Example

Example:

*Define primary PDP contexts #1 and #2*

```
AT+CGDCONT=1,"IP","internet";+CGDCONT=2,"IP","abc.com"
```

OK

*Ask for 3G QoS Profiles*

```
AT+CGEQREQ?
```

```
+CGEQREQ: 1,3,32,0,0,0,2,0,"0E0","0E0",3,0,0
```

```
+CGEQREQ: 2,3,32,0,0,0,2,0,"0E0","0E0",3,0,0
```

OK

*Specifies a 3G QoS profile for PDP context #1*

```
AT+CGEQREQ=1,3,0,128,0,0,2,1500,"0E0","0E0",3,0,0
```

OK

*Specifies a minimum 3G QoS profile for PDP context #1*

```
AT+CGEQMIN=1,3,64,64,0,0,2,1500,"0E0","0E0",3,0,0
```

OK

*Activate PDP context #1*

```
AT+CGACT=1,1
```

OK

```
AT+CGACT?
```

```
+CGACT=1,1
```

OK

*Test for the negotiated 3G QoS profile*

```
AT+CGEQNEG=?
```

```
+CGEQNEG: (1)
```

OK

*Ask for the negotiated 3G QoS profile*

```
AT+CGEQNEG=1
```

```
+CGEQNEG: 1,3,128,128,64,64,1,1500,"5E3","1E5",2,150,2
```

OK



Ask for the negotiated 3G QoS profile

```
AT+CGEQNEG=2           // Inactivated PDP context #2
OK
```

```
AT+CGEQNEG=3           // Undefined PDP context #3
+CME ERROR: 3
```

```
AT+CGEQNEG=1,2         // PDP context #1 is activated but #2 is not activated
+CGEQNEG: 1,3,128,128,64,64,1,1500,"5E3","1E5",2,150,2
OK
```

```
AT+CGEQNEG=1,3         // PDP context #1 is activated but #3 is not defined
+CME ERROR: 3
```

## 2.13. Unit test cases for AT +WOPEN=7 mode

- No application binary

```
AT+WOPEN=0
OK
```

```
AT+WOPEN=4
OK
```

```
AT+WOPEN=1
OK
```

```
AT+WOPEN?
+WOPEN: 1
OK
```

```
AT+WOPEN=7
+WOPEN: 7,1
OK
```

Download a corrupted binary (write a random byte somewhere in the binary before the download, thanks to a hexadecimal editor)

```
AT+WDWL
+WDWL: 0
XXXXXXXXXXXXXXXXXXXX
OK
```

```
AT+WOPEN=1
OK
AT+WOPEN?
+WOPEN: 1
OK
```

**AT+WOPEN=7**

+WOPEN: 7,2

OK

Download a binary with corrupted header (write a random byte in the binary header (in the first 8 bytes) before the download, thanks to an hexadecimal editor)

**AT+WDWL**

+WDWL: 0

XXXXXXXXXXXXXXXXXXXX

OK

**AT+WOPEN=1**

OK

**AT+WOPEN?**

+WOPEN: 1

OK

**AT+WOPEN=7**

+WOPEN: 7,3

OK

Download a binary with wrong version (modify the version in the header before the download, thanks to an hexadecimal editor)

**AT+WOPEN=1**

OK

**AT+WDWL**

+WDWL: 0

XXXXXXXXXXXXXXXXXXXX

OK

**AT+WOPEN?**

+WOPEN: 1

OK

**AT+WOPEN=7**

+WOPEN: 7,4

OK

Download a binary with too many tasks (use a Basic application which required more than three tasks)

**AT+WDWL**

+WDWL: 0

XXXXXXXXXXXXXXXXXXXX

OK

**AT+WOPEN=1**

OK

**AT+WOPEN?**

+WOPEN: 1

OK

**AT+WOPEN=7**

+WOPEN: 7,5

OK

Download a binary requiring too many RAM (use an application which requires a call stack of 256KBytes)

**AT+WDWL**

+WDWL: 0

XXXXXXXXXXXXXXXXXX

OK

**AT+WOPEN=1**

OK

**AT+WOPEN?**

+WOPEN: 1

OK

**AT+WOPEN=7**

+WOPEN: 7,9

OK

## 2.14. Unit test cases for AT + WOPEN=8 mode

- Without application binary

**AT+WOPEN=0**

OK

**AT+WOPEN=4**

OK

**AT+WOPEN=1**

OK

**AT+WOPEN?**

+WOPEN: 1

OK

**AT+WOPEN=7**

+WOPEN: 7,1

OK

Download a corrupted binary (write a random byte somewhere in the binary before the download, thanks to a hexadecimal editor)

**AT+WDWL**

+WDWL: 0

XXXXXXXXXXXXXXXXXX

OK

**AT+WOPEN=8,0,0,0**

+WOPEN: 8,0,0,0

OK

**AT+WOPEN=8**

+WOPEN: 8,0,0,0

OK

**AT+CFUN=1**

OK

(Press any key, embedded module starts normally)

- With application binary

**AT+WOPEN=1**

OK

**AT+WOPEN?**

+WOPEN: 1

OK

**AT+WOPEN=7**

+WOPEN: 7,2

OK

Download a binary with corrupted header (write a random byte in the binary header (in the first 8 bytes) before the download, thanks to a hexadecimal editor)

**AT+WDWL**

+WDWL: 0

XXXXXXXXXXXXXXXXXXXX

OK

**AT+WOPEN=1**

OK

**AT+WOPEN?**

+WOPEN: 1

OK

**AT+WOPEN=7**

+WOPEN: 7,3

OK

Download a binary with wrong version (modify the version in the header before the download, thanks to a hexadecimal editor)

**AT+WOPEN=1**

OK

**AT+WDWL**

+WDWL: 0

XXXXXXXXXXXXXXXXXXXX

OK

**AT+WOPEN?**

+WOPEN: 1

OK

**AT+WOPEN=7**

+WOPEN: 7,4

OK

Download a binary with too many tasks (use a Basic application which required more than three tasks)

**AT+WDWL**

+WDWL: 0

XXXXXXXXXXXXXXXXXXXX

OK

**AT+WOPEN= 1**

OK

**AT+WOPEN?**

+WOPEN: 1

OK

**AT+WOPEN=7**

+WOPEN: 7,5

OK

Download a binary requiring too many RAM (use an application which requires a call stack of 256KBytes)

**AT+WDWL**

+WDWL:0

XXXXXXXXXXXXXXXXXXXX

OK

**AT+WOPEN=1**

OK

**AT+WOPEN?**

+WOPEN: 1

OK

**AT+WOPEN=7**

+WOPEN: 7,9

OK

**AT+WOPEN=8**

+WOPEN: 8,0,0,0

**AT+WOPEN=8,0,0,0**

OK

**AT+CFUN=1**

(Press any key, embedded module and application start normally)

- *With application binary*

**AT+WOPEN=1**

OK

**AT+WOPEN=8,1,10,12**

OK

**AT+WOPEN=8**

+WOPEN: 8,1,10,12

OK

Press the keys 10 and 12, nothing occurs

**AT+CFUN=1**

OK

Press any key except key 10 and 12, embedded module and application start normally

**AT+CFUN=1**

OK

Press only the key 10 or 12, embedded module start and application start normally

**AT+CFUN=1**

OK

Press the keys 10 and 12, embedded module starts but application does not start

**AT+WOPEN=7**

## 3. Technical Appendixes

### 3.1. Working Modes

#### 3.1.1. Working Mode Description

Embedded module can work in different modes. Each one is characterized by:

- power consumption,
- power processing,
- feature availability.

##### 3.1.1.1. ACTIVE Mode

In ACTIVE mode, the embedded module is fully powered and all services are available.

There are two varieties of ACTIVE mode status based on the GSM stack as described below.

###### 3.1.1.1.1. ACTIVE Mode with GSM Stack in Idle

This is the default mode for the embedded module. To switch the embedded module to this mode use "AT+WBHV=1,0" command. The embedded module must be restarted in order to take the new behavior into account.

No features are restricted in this mode.

###### 3.1.1.1.2. ACTIVE Mode with GSM Stack Turned Off

In this mode, the SIM device and GSM/GPRS features (like GSM voice or data call, SMS, GPRS data transfer) are not available. The embedded application is running and the serial port remains active, meaning AT commands are available. If any data has to be transmitted over the network, this mode has to be turned off.

To switch the embedded module to this mode use "AT+WBHV=1,1" command. The embedded module must be restarted in order to take the new behavior into account.

To disable this mode, use the "AT+WBHV=1,0" command and restart the embedded module. To turn off and on the GSM stack without any reset, use commands AT+CFUN=0 and AT+CFUN=1,0.

##### 3.1.1.2. SLEEP Mode

In SLEEP mode, the embedded module is fully powered but the internal processor is in sleep state for a low power consumption mode. The software is suspended, waiting for RTC alarm expiration, TCU timer expiration, wireless paging (if GSM stack is enabled), external IT, keypad press, UART DTR drop, or USB resume, removing it from this state.

There are two varieties of SLEEP mode status based on the GSM stack as described below.

### 3.1.1.2.1. SLEEP Mode with GSM Stack in Idle

This mode is a low power consumption mode. In this mode the embedded module has restricted access to peripheral interfaces, thereby UARTs, USB, SPIs, I2C, GPIOs, ADCs and Buzzer are not available.

To enable or disable this mode use AT+W32K command.

The mode activation and deactivation is initiated when the customer device is connected to the serial interface (DTE). DTR pin must be pulled UP for requesting activation of the SLEEP mode with GSM stack in idle. To deactivate this mode DTR pin must be pulled DOWN. All details are described in chapter 3.7 'Specifications of Power down Control mechanism through serial Ports (physical ⇔ RS232 ports or virtual ⇔ CMUX ports)'.

When this mode is activated, the embedded module requires 1 to 15 seconds to power down consumption. In this state, a 32 kHz internal clock is used during the inactivity stage.

Then, the embedded module can automatically wake up on unsolicited events such as:

- GSM paging,
- external interruption,
- key press,
- alarm,
- timer expiration.

During the wake up period, the embedded module will have the same characteristic as the ACTIVE mode with GSM stack in idle in terms of power consumption and power processing.

The embedded module automatically switches back to idle state after all treatments.

### 3.1.1.2.2. SLEEP Mode with GSM Stack Turned Off

This mode is a low power consumption mode.

In this mode, SIM device and GSM/GPRS features like GSM voice or data call, SMS, GPRS data transfer are not available. In addition, the embedded module has restricted access to peripheral interfaces, thereby UARTs, USB, SPIs, I2C, GPIOs, ADCs and Buzzer are not available.

In this mode, the embedded module can automatically wake up on unsolicited events such as:

- external interruption,
- key press,
- alarm,
- timer expiration.

During the wake up period, the embedded module has the same characteristics as the ACTIVE mode in terms of power consumption and power processing.

The embedded module automatically switches back to idle state after all treatments.

To switch the embedded module to this mode, use "AT+WBHV=1,2" command. The embedded module must be restarted in order to take the new behavior into account.

To disable this mode, use "AT+WBHV=1,0" command and restart.

### 3.1.1.3. Alarm Mode

This mode is a low power consumption mode. The only feature which is available in this mode is the alarm wake up.



To activate the embedded module in this mode, use the "AT+CPOF" command with the correct parameter, coupled with a hardware ON/OFF signal position. Refer to the Product Technical Specification document to see how this signal has to be configured.

The embedded module exits this mode either by a previously programmed RTC alarm expiration, or by the activation of a hardware signal. Refer to the Product Technical Specification document to see which signal is to be activated.

---

*Note:* An RTC alarm wake up must be previously recorded by AT+CALA command before switching to this mode.

---

### 3.1.1.4. OFF mode

In OFF mode, nothing is powered in the embedded module, and no service is available.

To activate the embedded module in this mode, use the "AT+CPOF" command with the correct parameter coupled with a hardware ON/OFF signal position. Refer to the Product Technical Specification document to see how this signal has to be configured.

## 3.1.2. Working Mode Features

The table below sums up feature availability in each mode.

| Features                                                                                       | ACTIVE mode                          | SLEEP mode                           | ALARM Mode | OFF Mode |
|------------------------------------------------------------------------------------------------|--------------------------------------|--------------------------------------|------------|----------|
| Alarm                                                                                          | √                                    | √                                    | √          | -        |
| Wake-up application on timer events                                                            | √                                    | √                                    | -          | -        |
| GSM/GPRS paging (alert from the network for incoming call, incoming SMS or incoming GPRS data) | Yes, if GSM Stack is not turned off. | Yes, if GSM Stack is not turned off. | -          | -        |
| SIM                                                                                            | √                                    | -                                    | -          | -        |
| UARTs                                                                                          | √                                    | -                                    | -          | -        |
| USB                                                                                            | √                                    | -                                    | -          | -        |
| SPIs                                                                                           | √                                    | -                                    | -          | -        |
| I2C                                                                                            | √                                    | -                                    | -          | -        |
| GPIO                                                                                           | √                                    | -                                    | -          | -        |
| ADCs                                                                                           | √                                    | -                                    | -          | -        |
| Buzzer                                                                                         | √                                    | -                                    | -          | -        |
| Keypad                                                                                         | √                                    | √                                    | -          | -        |
| External IT                                                                                    | √                                    | √                                    | -          | -        |
| Flash led                                                                                      | √                                    | √                                    | -          | -        |

### 3.1.3. Power Processing Performance

The power processing performance is evaluated thanks to a Dhrystone application. The source code of this application is extracted from "dhryansi" which is a part of the samples given in ADS 1.2 release. This Dhrystone algorithm is executed for at least 2 seconds. **MIPS Levels:**

| CPU Power Level | MIPS    |
|-----------------|---------|
| CPU@26Mhz       | 21 MIPS |
| CPU@104Mhz      | 87 MIPS |

#### CPU Consumption per Service:

| State               | Consumption of maximum processing power |
|---------------------|-----------------------------------------|
| GSM idle state      | 2%                                      |
| GSM call state      | 15%                                     |
| GPRS transfer state | 18%                                     |

For example using the two tables above, an application running on AirPrime WMP100 embedded module at 104MHz during a GPRS transfer can consume  $87 - (18\% * 87) = 71$  MIPS.

### 3.1.4. Power Consumption Performance

For additional power consumption performance, please refer to the embedded module Product Technical Specification.

## 3.2. Multiplexing Mode

### 3.2.1. Description

The AT+CMUX command is used to manage (enable or disable) the 3GPP TS 27.010 multiplexing protocol control channel. It allows to multiplex up to 4 logical channels on each UART and USB. Several MUX sessions can be launched on different physical ports at the same time. The client application may handle, by this mean, up to 12 channels (4 logical multiplexed channels on both UART and on USB)."

#### Notes on speed and autobauding:

- The response is returned at the speed of the received AT+CMUX command (prior to entering <mode>).
- It is recommended that whenever the multiplexer control channel is released, the embedded module should assume an interface rate for autobauding purposes irrespective of any previous higher speed having been selected.
- If a +CMUX command is issued whilst in any multiplexer mode then that +CMUX command is ignored and the embedded module will return an +CME ERROR: <err> response.

#### 3.2.1.1. Restrictions

- Only basic option and UIH framing is supported.

- Only convergence layers type 1 and 3 are supported.
- Autobauding is not compatible with multiplex mode. It is neither possible to start multiplexing when autobauding is active (AT+IPR=0), nor to set autobauding during multiplex mode, since the multiplexer uses only a fixed baud rate. In the same way, the bit rate can not be changed through AT+IPR command while multiplex mode is active. Therefore, AT+IPR=<rate> should not be used, and will have no effect.
- Before starting multiplexing mode, port speed must be configured by AT+IPR=<rate> command, to be compliant with defined values for <port \_speed> parameter (in the volume 1, refer to "Multiplexing Mode +CMUX" section, "Parameters and Defined Values" section).

### 3.2.1.2. Specific Behaviors

- In multiplexing mode, AT configuration commands (as AT+CMEE for example), (see: [2]§ 1.10) will be applied to all logical channels.
- In multiplexing mode, unsolicited result code (see: [2]§ 1.7) will be transmitted to all logical channels
- AT commands are grouped by classes (SMS, phonebook, GPRS, SIM TOOL KIT, ... See [2] §3.7.1) and launching an AT command from a port, has for the effect to lock all commands belonging to the same class. If another port launches an AT command of the locked class, an +CME ERROR: 536 will occur as long as the class is not released (at first command's completion time).
- If Bluetooth is started, it is not possible to start CMUX on UART2. In the same way, if MUX is started on UART2, it is not possible to start Bluetooth.
- After an *at+cfun=1* during a CMUX session, CMUX is automatically restarted by the embedded module with previous parameters, and all previous opened DLCs are reopened, with the speed of *at+ipr?* Command.
- DCD, RI and DTR signals are managed virtually: When V24 sets DCD,RI or DTR signal, a MSC frame is sent to remote part, to indicate a virtual state change. Everything is logical, no physical signals are involved.
- +++ Escape Sequence is always possible to get offline.
- Flow control is managed physically or virtually by MSC. By default, the embedded module manage a hardware flow control on a UART, and this flow control becomes virtual on logical channels when some DLCs are opened.
- At CMUX session stop, the embedded module automatically goes back into AT mode, without having to reset.
- A timeout of 5 minutes is implemented for CMUX connection. After this timeout, if no DLC is opened, the MUX session is closed, and previous physical port is reopened. This timeout avoids to be blocked into the MUX opening state without any activities."

### 3.2.2. Results

AT+CMUX=<mode>[,<subset>[,<port\_speed>[,<N1>[,<T1>[,<N2>[,<T2>[,<T3>]]]]]]], will respond OK when parameters are in the range, and number of parameters are in correct syntax.

*Note:* The 230400 (<port\_speed> = 6), 460800 (<port\_speed> = 7) and 921600 (<port\_speed> = 8) speeds are added in AT+CMUX=? and AT+CMUX? responses.

The 230400, 460800 and 921600 speeds are added in AT+IPR=? and AT+IPR? responses.

AT+CMUX=<mode>[,<subset>[,<port\_speed>[,<N1>[,<T1>[,<N2>[,<T2>[,<T3>]]]]]]], will respond ERROR when:

| ERROR Responses | Meaning                                                                                                                                                                                                          |
|-----------------|------------------------------------------------------------------------------------------------------------------------------------------------------------------------------------------------------------------|
| +CME ERROR: 3   | <ul style="list-style-type: none"> <li>- Operation not allowed:<br/><i>Example:</i> Trying to start a MUX session during autobauding.</li> <li>- Parameters or number of parameters are out of range.</li> </ul> |
| +CME ERROR: 544 | CMUX connection Timeout (no answer from the remote) ie no DLC0 opened response.                                                                                                                                  |

### 3.2.3. Execution Conditions

Before reception of errors of §2.1, AT+CMUX=<mode>[,<subset>[,<port\_speed>[,<N1>[,<T1>[,<N2>[,<T2>[,<T3>]]]]]]] first reply OK.

### 3.2.4. Power Down Control (Sleep Mode)

CMUX feature is based on ETSI 27.010 specifications that provide Sleep-On/Wake-Up procedure through 27.010 multiplexing protocol. It suits the description of the serial port sleep mode mechanism (Please refer to [Specifications of Power Down Control mechanism through serial Ports \(physical ⇔ RS232 ports or virtual ⇔ CMUX ports\)](#))

To match sleep mode specifications, the embedded module handles 27.010 MSC protocol frames that are dependent of each emulated port (associated to a particular DLCI).

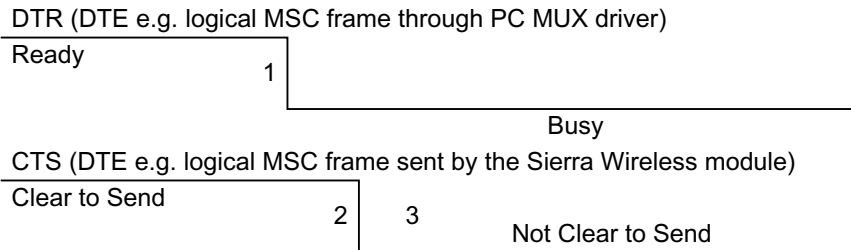
⇔ **Physical signals (such as DTR)** of the UART on which it has been activated **are not monitored** by the embedded module (DCE).

To cope with Sierra Wireless sleep mode, 27.010 sleep mode procedures are authorized only when all activated emulated/virtual ports are in Serial Sleep mode state ⇔ emulated application DTR and CTS are low on each port, no AT response is to be sent...

CMUX wake-up/sleep-on frames as specified in 27.010 recommendations applies to all activated DLC since those particular frames (PSC frames) are sent/received over the DLCI 0, which is the control channel.

### 3.2.5. Sleep Mode Activation

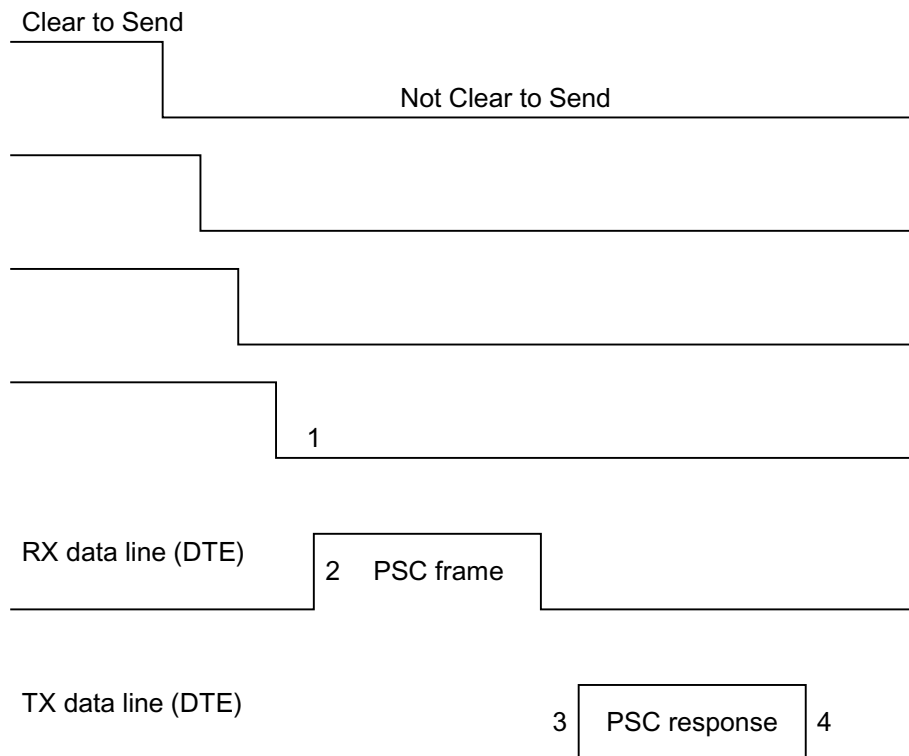
For all opened DLCI, each connected application on each DLC should set its DTR low in order to have the Sierra Wireless module sleep.



RX data line (DTE)

- 1: The application (DTE) drops DTR to indicate a busy state (a protocol MSC frame is sent by the PC CMUX driver on the concerned DLCI)
- 2: Sierra Wireless embedded module (DCE) checks if there are any pending AT response to send.
- 3: When DTR is low and there are no more AT responses, the DCE sets CTS to low.

Once the last opened DLCI detects the DTR drop from the PC application, the CMUX driver starts sending a 27.010 PSC protocol frame, and waits for its response before allowing the entire system to go into Sleep Mode state.



- 1: All the logical CTS are set high (each connected application can see CTS low)
- 2: Last CTS drop causes Sierra Wireless embedded module (DCE) CMUX driver to send a PSC frame and to wait for the PSC response.
  - : Application replies with a PSC response
  - : All Sierra Wireless embedded module serial virtual ports are in sleep mode state.

### 3.2.6. Wake Up Procedure

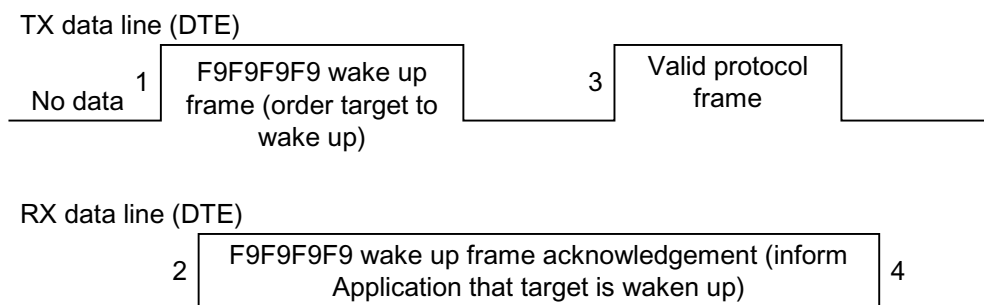
There are two different ways of waking up the embedded module:

#### 3.2.6.1. Wake up by DTE (e.g. desktop PC) wakes up embedded module with a 27.010 Wake up frame

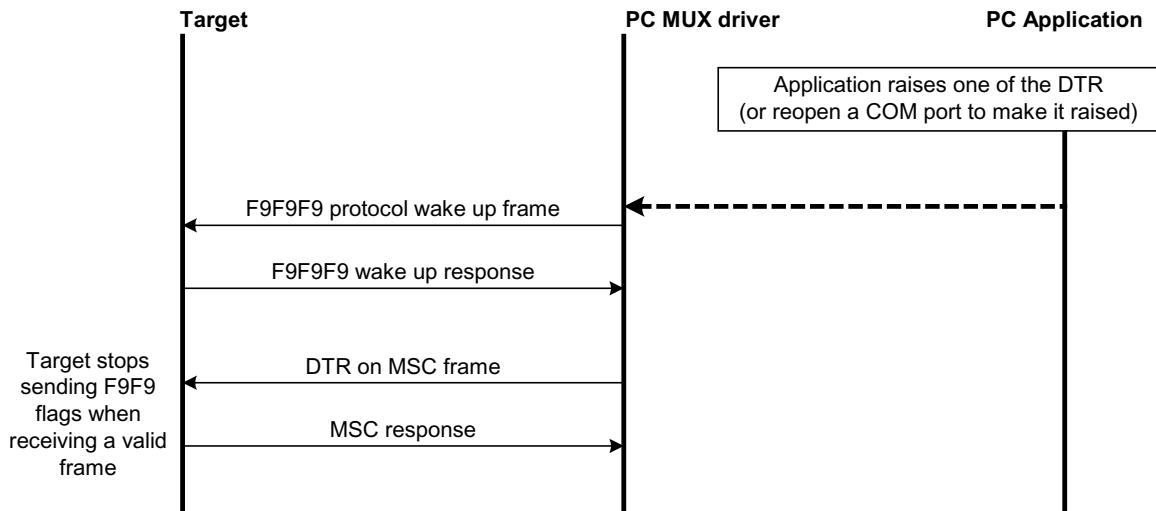
In order to wake up the embedded module, the client application has to trigger one of its connected DTR high like the physical scheme.

When wanting to send the DTR MSC protocol frame, the DTE MUST first sends F9F9F9F9 wake up frames, waiting for embedded module response, and then sends as a valid frame the DTR on MSC frame.

Otherwise, the embedded module might sleep on again if all DTR are detected low !



- 1: DTE sends 27.010 protocol F9F9F9F9 frame to wake up the asleep target.
- 2: DCE replies with 27.010 F9F9F9F9 wake up frame as acknowledgment and waits for a valid frame.
  - : DTE sends a valid 27.010 frame in order to have the target stop its acknowledgment.  
**(It is required that the first valid frame is a MSC frame that raise application DTR)**
  - : DCE stops sending F9F9F9F9 answer after receiving this valid frame.

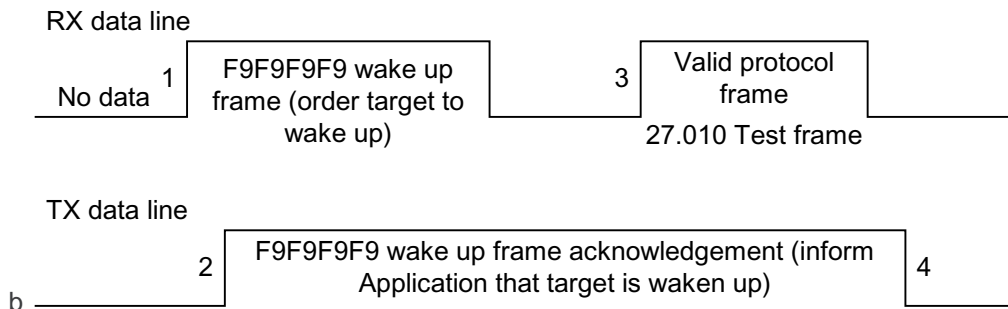


*Note:* If the valid frame is a DATA frame, the embedded module does not detect any DTR change and sleeps on again with the PSC frame.

### 3.2.6.2. Wake up by Sierra Wireless embedded module (DCE) (unsolicited AT response e.g. 'RING' is to be sent)

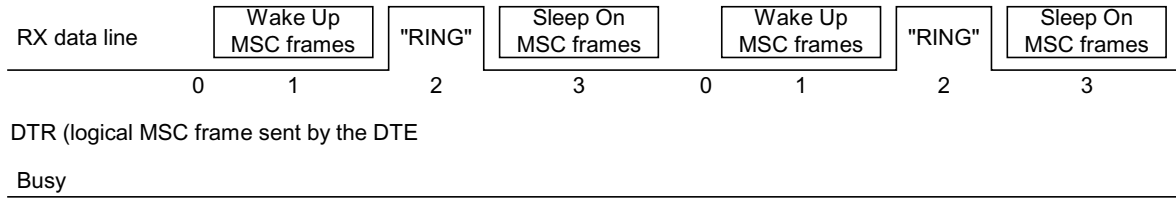
The embedded module wakes up the DTE with a 27.010 protocol wake up frame first and then sends its unsolicited indication.

The protocol **preliminary wake up sequence** is described below:



- 1: DCE sends 27.010 protocol F9F9F9F9 frame to wake up the asleep Application.
- 2: DTE replies with 27.010 F9F9F9F9 wake up frame as acknowledgment and waits for a valid frame.
  - : DCE sends a valid 27.010 test frame in order to have the target stop its acknowledgment.
  - : DTE stops sending F9F9F9F9 answer after receiving the valid frame.

The entire "unsolicited string" wake up sequence and sending is described below:



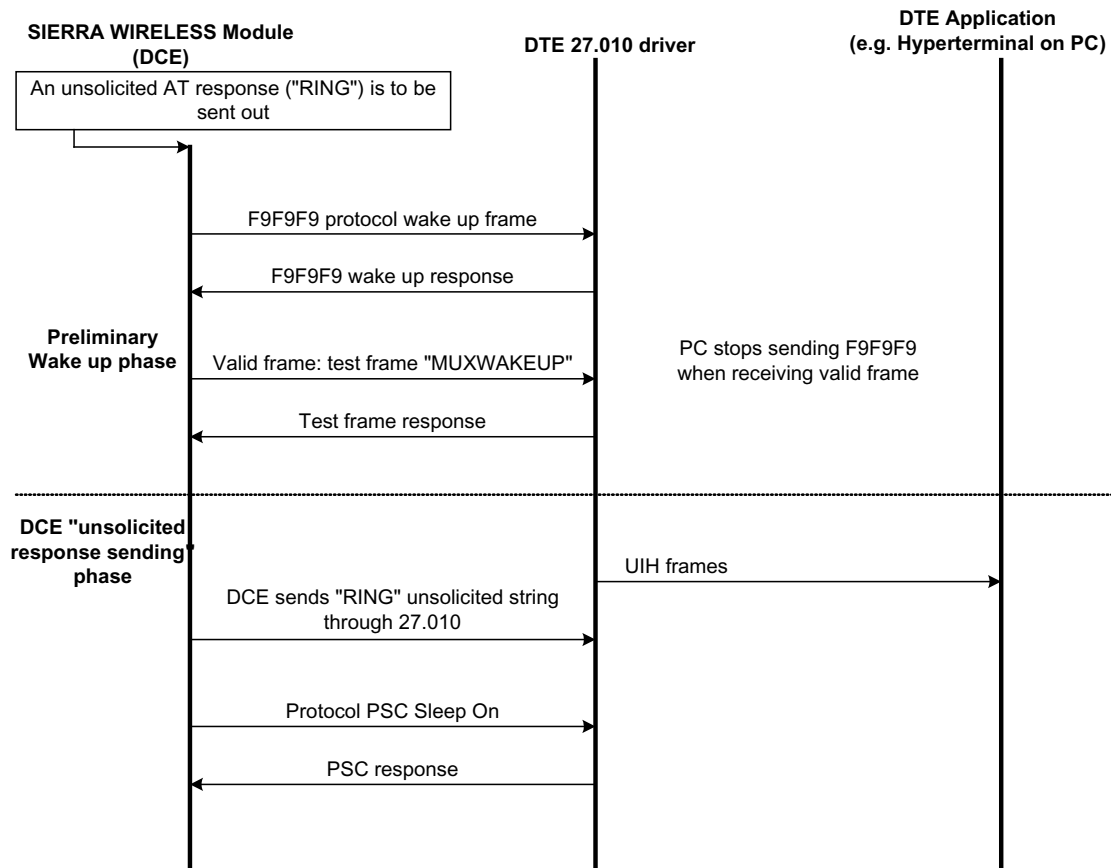
**0:** The DCE is disturbed with an incoming call.

**1:** DCE starts sending F9F9F9 wake up frame, waiting for its response and sending a valid test frame (0x4D, 0x55, 0x58, 0x57, 0x41, 0x4B, 0x45, 0x55, 0x50 = MUXWAKEUP). (Once waken up, the RI is sent before the RING string in our case)

**2:** The unsolicited response message is sent.

**8** : After the unsolicited response has been sent, the port is in sleep mode again (no more AT response and DTR low). Then DCE sends PSC to sleep on and waits for its response.

During the preliminary Wake Up sequence, if no F9F9F9 is received within T3 timer, the embedded module takes the decision to close all the ports assuming that there is no more CMUX driver in the remote side.





### 3.3. Support of SIM ToolKit by the M.E.

The table below indicates the commands of the supported letter classes:

Table 1: Support of SIM Toolkit classes (Not supported)

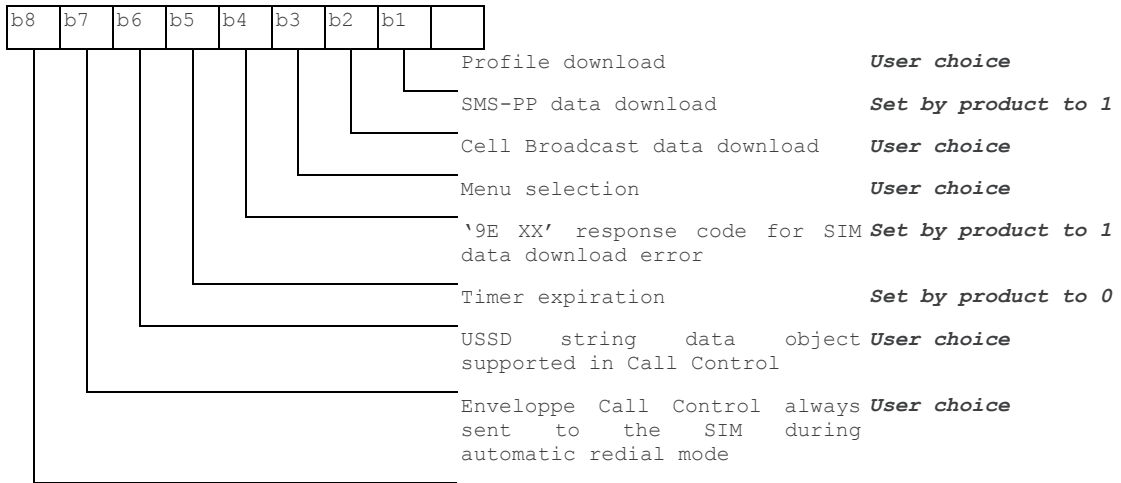
| Letter classes | Command/function description                                            |
|----------------|-------------------------------------------------------------------------|
| a              | Proactive command: GET READER STATUS                                    |
|                | Proactive command: PERFORM CARD APDU                                    |
|                | Proactive command: POWER ON CARD                                        |
|                | Proactive command: POWER OFF CARD<br>Event download: Card reader status |
| b              | Proactive command: RUN AT COMMAND                                       |
| c              | Proactive command: LAUNCH BROWSER                                       |
|                | Event download: Browser termination                                     |
| d              | Soft key support                                                        |
|                |                                                                         |
| e              | Proactive command: OPEN CHANNEL                                         |
|                | Proactive command: CLOSE CHANNEL                                        |
|                | Proactive command: RECEIVE DATA                                         |
|                | Proactive command: SEND DATA                                            |
|                | Proactive command: GET CHANNEL STATUS                                   |
|                | Event download: Data available                                          |
|                | Event download: Channel status                                          |

Table 2: Compatibility between available Terminal Responses and Proactive Commands

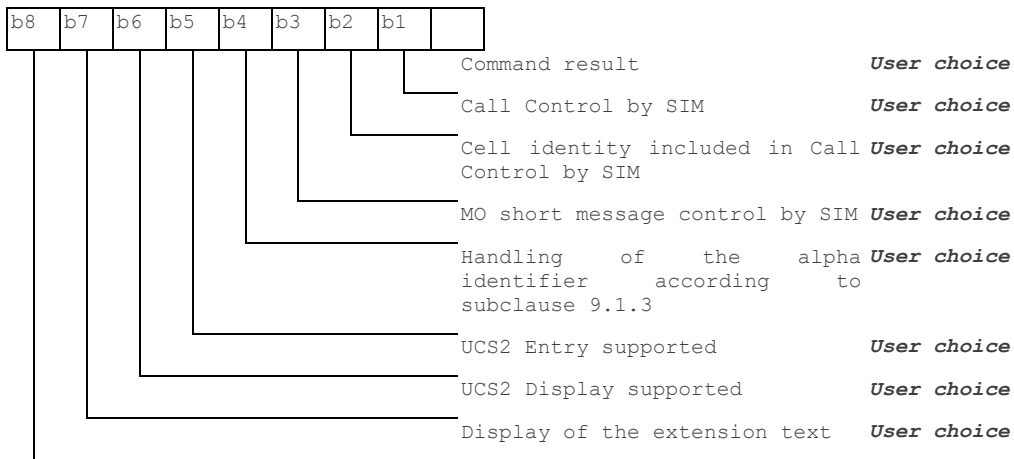
|      |                                        | Proactive commands |              |         |           |           |           |             |         |         |          |           |                 |                |           |                   |
|------|----------------------------------------|--------------------|--------------|---------|-----------|-----------|-----------|-------------|---------|---------|----------|-----------|-----------------|----------------|-----------|-------------------|
|      |                                        | Setup Menu         | Display Text | Get Key | Get Input | Setup Cal | Play Tone | Select Item | Refresh | Send SS | Send SMS | Send USSD | Setup eventlist | Setupmode text | Send DTMF | Lang Notification |
|      |                                        | (0)                | (1)          | (2)     | (3)       | (4)       | (5)       | (6)         | (7)     | (8)     | (9)      | (10)      | (11)            | (12)           | (13)      | (14)              |
|      | Terminal Responses                     |                    |              |         |           |           |           |             |         |         |          |           |                 |                |           |                   |
| (95) | Backward Move                          |                    | •            | •       | •         |           |           | •           |         |         |          |           |                 |                |           |                   |
| (96) | Command beyond ME capabilities         | •                  | •            | •       | •         | •         | •         | •           | •       | •       | •        | •         | •               | •              | •         | •                 |
| (97) | ME currently unable to process command | •                  | •            | •       | •         | •         | •         | •           | •       | •       | •        | •         | •               | •              | •         | •                 |
| (98) | No response from the user              |                    | •            | •       | •         |           |           | •           |         |         |          |           |                 |                |           |                   |
| (99) | SIM session terminated by the user     |                    | •            | •       | •         | •         | •         | •           |         |         |          |           |                 |                | •         |                   |

### 3.4. Structure of TERMINAL PROFILE

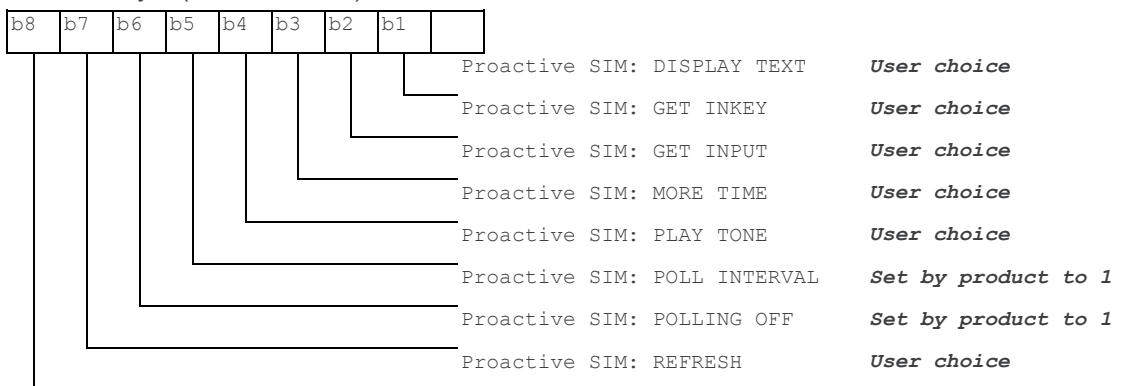
- First byte (Download):



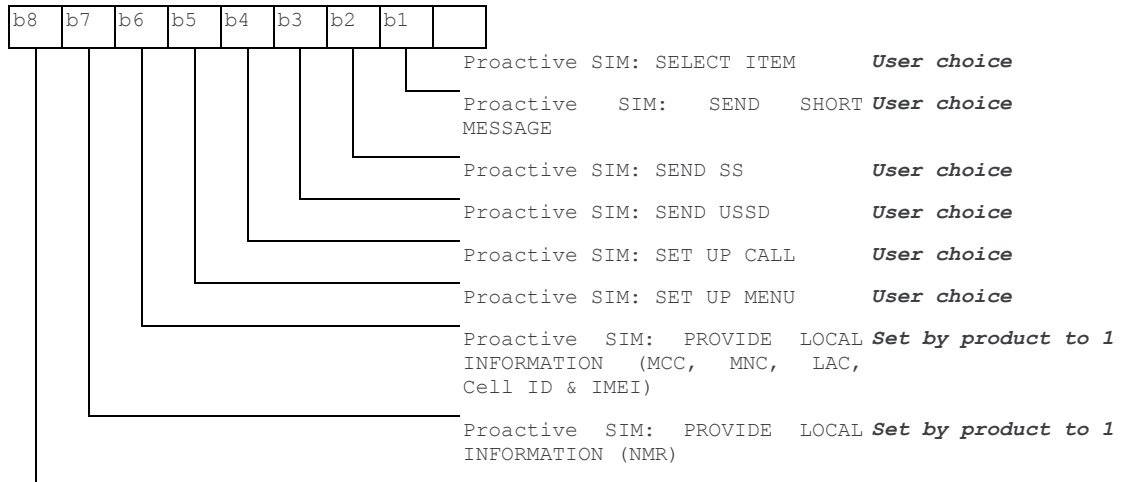
- Second byte (Other):



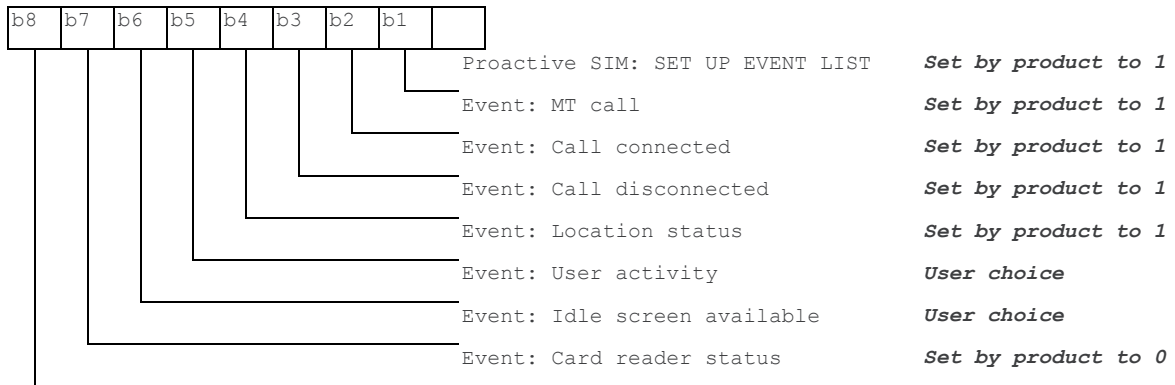
- Third byte (Proactive SIM):



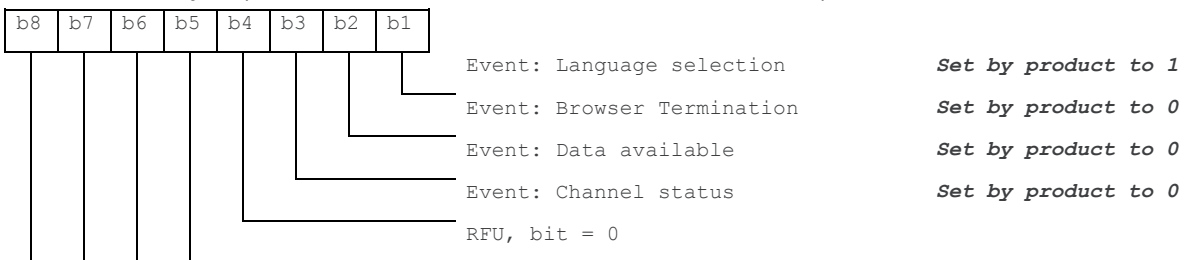
• Fourth byte (Proactive SIM):



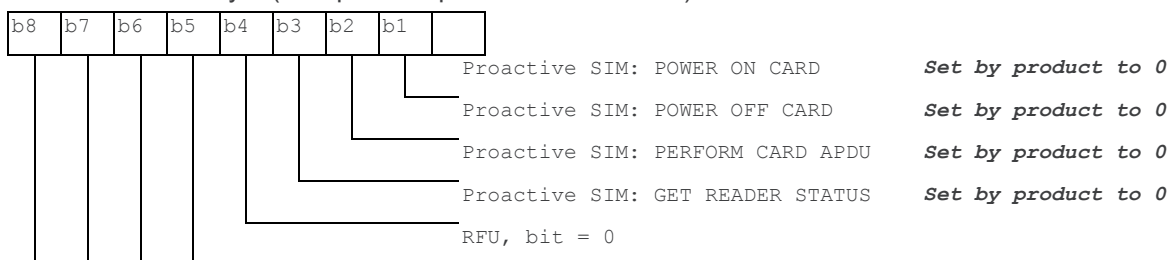
• Fifth byte (Event driven information):



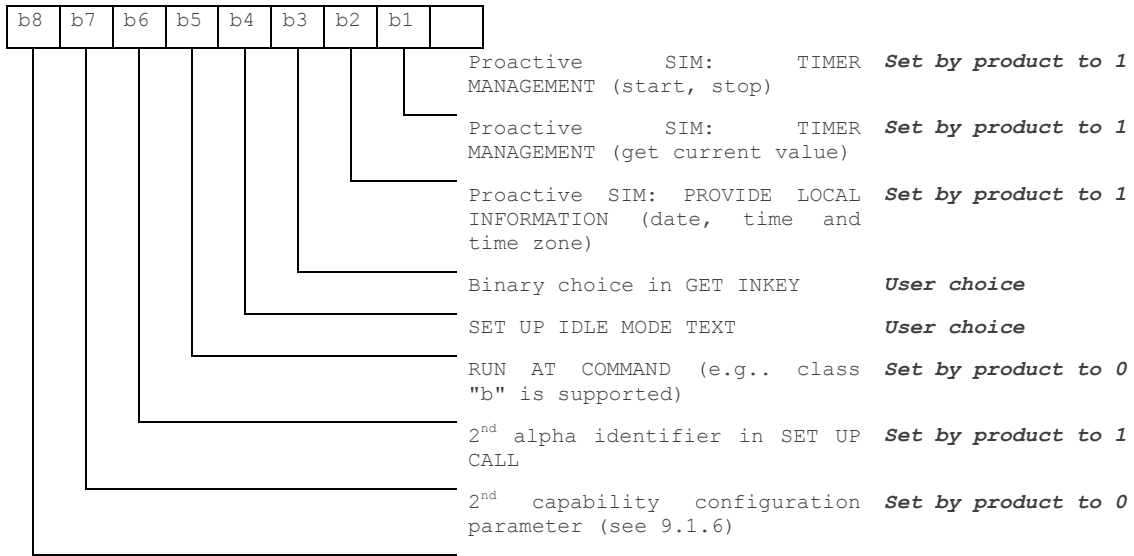
• Sixth byte: (reserved for Event driven information extensions)



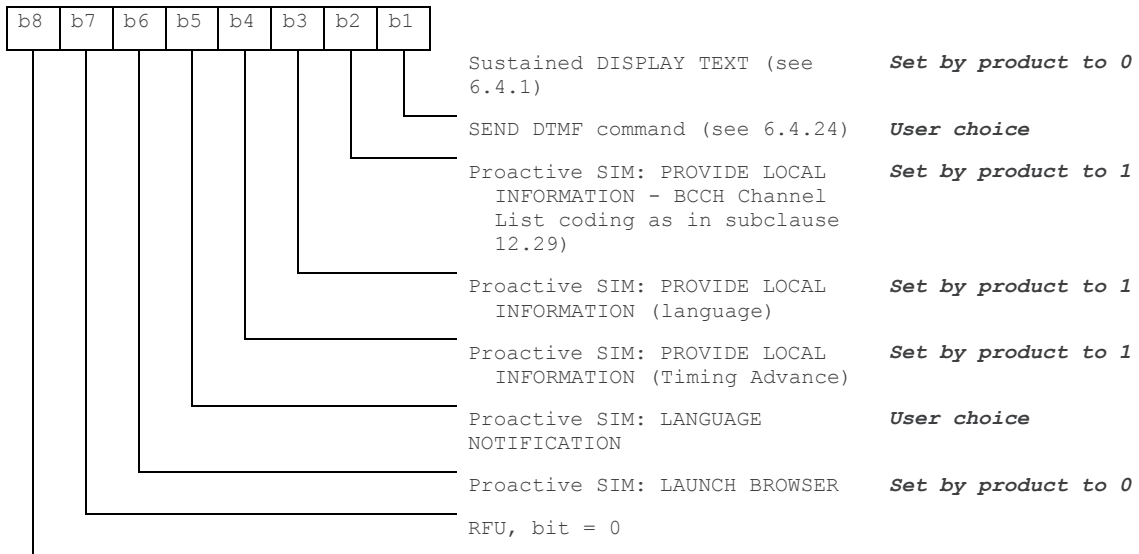
• Seventh byte (Multiple card proactive commands) for class "a"



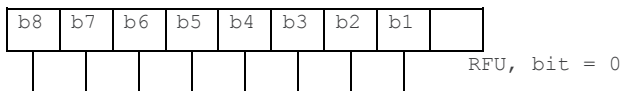
• Eighth byte (Proactive SIM):



• Ninth byte:



• Subsequent bytes:



### Information about BCCH channel list

(This is an extract of GSM Rec.11.14)

| Byte(s)  | Description                   | Length |
|----------|-------------------------------|--------|
| 1        | BCCH channel list tag         | 1      |
| 2        | Length (X) of bytes following | 1      |
| 3 to X+2 | BCCH channel list             | X      |

#### 8 BCCH channel list

Contents: the list of absolute RF channels for BCCH carriers, as known by the ME from the SYSTEM INFORMATION messages. The BCCH channel list is composed of one to three BCCH channel sub lists, each sub list is derived from the set of frequencies defined by reference neighbor cells description information element or elements. In the latter case the set is the union of the different subsets defined by the neighbor cells description information elements (see TS 3GPP TS 24.008 [8]). The length of the BCCH channel list field depends on the length of the received BCCH channel list derived from the different SYSTEM INFORMATION messages to be considered.

Coding: Each ARFCN (*Absolute Radio Frequency Channel Number*) is represented by 10 bits. Spare bit(s) are to be filled with 0.

|          | Bit 8                | Bit 7 | Bit 6               | Bit 5 | Bit 4               | Bit 3 | Bit 2         | Bit 1        |
|----------|----------------------|-------|---------------------|-------|---------------------|-------|---------------|--------------|
| Byte 1   | ARFCN#1 (high part)  |       |                     |       |                     |       |               |              |
| Byte 2   | ARFCN#1 (low part)   |       | ARFCN#2 (high part) |       |                     |       |               |              |
| Byte 3   | ARFCN#2 (low part)   |       |                     |       | ARFCN#3 (high part) |       |               |              |
| ...      | ...                  |       |                     |       |                     |       |               |              |
| Byte X-1 | ARFCN#m-1 (low part) |       |                     |       | ARFCN#m (high part) |       |               |              |
| Byte X   | ARFCN#m (low part)   |       |                     |       |                     |       | Spare bit (0) | Spare bit(0) |

SIM applications should take into account that early implementations of SIM application toolkit may have coded this field differently, because of an inconsistency between the content and the coding of this element in previous versions of 11.14. The SIM is able to identify Mes that are using the coding described above by evaluating the indication "BCCH Channel List coding" in the TERMINAL PROFILE command.

### 3.5. Command Type and Next Action Indicator.

This table has been extracted from the GSM Technical specification 11.14.

| Value | Name                         | Used for Type of Command coding | used for Next Action Indicator coding |
|-------|------------------------------|---------------------------------|---------------------------------------|
| '00'  |                              | -                               | -                                     |
| '01'  | REFRESH                      | X                               |                                       |
| '02'  | MORE TIME                    | X                               |                                       |
| '03'  | POLL INTERVAL                | X                               |                                       |
| '04'  | POLLING OFF                  | X                               |                                       |
| '05'  | SET UP EVENT LIST            | X                               |                                       |
| '10'  | SET UP CALL                  | X                               | X                                     |
| '11'  | SEND SS                      | X                               | X                                     |
| '12'  | SEND USSD                    | X                               | X                                     |
| '13'  | SEND SHORT MESSAGE           | X                               | X                                     |
| '14'  | SEND DTMF                    | X                               |                                       |
| '15'  | LAUNCH BROWSER class "c"     | X                               |                                       |
| '20'  | PLAY TONE                    | X                               | X                                     |
| '21'  | DISPLAY TEXT                 | X                               | X                                     |
| '22'  | GET INKEY                    | X                               | X                                     |
| '23'  | GET INPUT                    | X                               | X                                     |
| '24'  | SELECT ITEM                  | X                               | X                                     |
| '25'  | SET UP MENU                  | X                               | X                                     |
| '26'  | PROVIDE LOCAL INFORMATION    | X                               |                                       |
| '27'  | TIMER MANAGEMENT             | X                               |                                       |
| '28'  | SET UP IDLE MODEL TEXT       | X                               | X                                     |
| '30'  | PERFORM CARD APDU class "a"  | X                               | X                                     |
| '31'  | POWER ON CARD class "a"      | X                               | X                                     |
| '32'  | POWER OFF CARD class "a"     | X                               | X                                     |
| '33'  | GET READER STATUS class "a"  | X                               | X                                     |
| '34'  | RUN AT COMMAND class "b"     | X                               |                                       |
| '35'  | LANGUAGE NOTFIICATION        | X                               |                                       |
| '40'  | OPEN CHANNEL class "e"       | X                               | X                                     |
| '41'  | CLOSE CHANNEL class "e"      | X                               | X                                     |
| '42'  | RECEIVE DATA class "e"       | X                               | X                                     |
| '43'  | SEND DATA class "e"          | X                               | X                                     |
| '44'  | GET CHANNEL STATUS class "e" | X                               | X                                     |
| '81'  | End of the proactive session | not applicable                  | X                                     |

### 3.6. Coding of Alpha Fields in the SIM for UCS2

The coding can take one of the three following structures, or GSM default alphabet. If the ME supports UCS2 coding of alpha fields in the SIM, it will support all three coding schemes for character sets containing 128 characters or less. For character sets containing more than 128 characters, the ME will at least support the first coding scheme. Within a record, only one coding scheme, either GSM default alphabet, or one of the three described below, can be used.

1. **If the first byte in the alpha string is '0x80'**, then the other bytes are 16 bit UCS2 characters. The most significant byte (MSB) of the UCS2 character is coded in the lower numbered byte of the alpha field, and the less significant byte (LSB) of the UCS2 character is coded in the higher numbered alpha field byte. In other words, byte 2 of the alpha field contains the most significant byte (MSB) of the first UCS2 character, and byte 3 of the alpha field contains the less significant byte (LSB) of the first UCS2 character (as shown below). Unused bytes shall be set to 'FF': if the alpha field has an even length in bytes, the last (unusable) byte will be set to 'FF'.

**Example 1**

| Byte 1 | Byte 2             | Byte 3             | Byte 4             | Byte 5             | Byte 6             | Byte 7             | Byte 8 | Byte 9 |
|--------|--------------------|--------------------|--------------------|--------------------|--------------------|--------------------|--------|--------|
| '80'   | Ch1 <sub>MSB</sub> | Ch1 <sub>LSB</sub> | Ch2 <sub>MSB</sub> | Ch2 <sub>LSB</sub> | Ch3 <sub>MSB</sub> | Ch3 <sub>LSB</sub> | 'FF'   | 'FF'   |

2. **If the first byte of the alpha string is '0x81'**, then the 2<sup>nd</sup> byte contains a value indicating the number of characters in the string. The 3<sup>rd</sup> byte contains an 8 bit number which defines bits 15 to 8 of a 16 bit base pointer, where bit 16, and bits 7 to 1 would be set to zero. These sixteen bits represent a base pointer to a "half-page" in the UCS2 code space, to be used with some or all of the remaining bytes in the string. The 4<sup>th</sup> and subsequent bytes in the string contain coding as follows:
  - if bit 8 of the byte is set to zero, the remaining bits of the byte contain a GSM Default Alphabet character
  - if bit 8 of the byte is set to one, the remaining bits are an offset value to add to the 16 bit base pointer defined by byte 3, and the resulting 16 bit value is a UCS2 code point, and defines a UCS2 character.

**Example 2**

| Byte 1 | Byte 2 | Byte 3 | Byte 4 | Byte 5 | Byte 6 | Byte 7 | Byte 8 | Byte 9 |
|--------|--------|--------|--------|--------|--------|--------|--------|--------|
| '81'   | '05'   | '13'   | '53'   | '95'   | 'A6'   | '28'   | 'FF'   | 'FF'   |

In the example above

- Byte 2 indicates there are 5 characters in the string
  - Byte 3 indicates bits 15 to 8 of the base pointer, and indicates a bit pattern of 0hhh shah h000 0000 as the 16 bit base pointer number. Bengali characters for example start at code position 0980 (0000 1001 1000 0000), which is indicated by the coding '13' in byte 3 (shown by the italicized underlined digits).
  - Byte 4 indicates GSM Default Alphabet character '53', e.g.. "S".
  - Byte 5 indicates a UCS2 character offset to the base pointer of '15', expressed in binary as follows 001 0101, which, when added to the base pointer value results in a sixteen bit value of 0000 1001 1001 0101, e.g.. '0995', which is the Bengali letter KA.
  - Byte 8 contains the value 'FF': as the string length is 5, this a valid character in the string, where the bit pattern 111 1111 is added to the base pointer, yielding to a sixteen bit value of 0000 1001 1111 1111 for the UCS2 character (that is '09FF').
  - Byte 9 contains the padding value 0xFF.
3. **If the first byte of the alpha string is set to '0x82'**, then the 2<sup>nd</sup> byte contains the length of the string (number of characters). The 3<sup>rd</sup> and 4<sup>th</sup> bytes contain a 16 bit number which defines the complete 16 bit base pointer to a "half-page" in the UCS2 code space, for use with some or all of the remaining bytes in the string. The 5<sup>th</sup> and subsequent bytes in the string contain coding as follows:
- if bit 8 of the byte is set to zero, the remaining seven bits of the byte contain a GSM Default Alphabet character,
  - if bit 8 of the byte is set to one, the remaining seven bits are an offset value added to the base pointer defined in bytes 3 and 4, and the resulting 16 bit value is a UCS2 code point, and defines a UCS2 character.

**Example 3**

| Byte 1 | Byte 2 | Byte 3 | Byte 4 | Byte 5 | Byte 6 | Byte 7 | Byte 8 | Byte 9 |
|--------|--------|--------|--------|--------|--------|--------|--------|--------|
| '82'   | '05'   | '05'   | '30'   | '2D'   | '82'   | 'D3'   | '2D'   | '31'   |

In the example above:

- Byte 2 indicates there are 5 characters in the string
- Bytes 3 and 4 contain a 16 bit base pointer number of '0530', pointing to the first character of the Armenian character set.
- Byte 5 contains a GSM Default Alphabet character of '2D', which is a dash "-".
- Byte 6 contains a value '82', which indicates it is an offset of '02' added to the base pointer, resulting in a UCS2 character code of '0532', which represents Armenian character Capital BEN.
- Byte 7 contains a value 'D3', an offset of '53', which when added to the base pointer results in a UCS2 code point of '0583', representing Armenian Character small PIWR.



## 3.7. Specifications of Power Down Control mechanism through serial Ports (physical RS232 ports or virtual CMUX ports)

### 3.7.1. What is new on X55 and further software releases

V24 Sleep mode and Sierra Wireless 32K mode used to be a one and only functionality. Since v24 now supports several ports (physical or virtual), Sierra Wireless products are allowed to enter 32K low consumption mode only when all of these ports are individually ready to enter such a mode.

### 3.7.2. Definitions

#### 3.7.2.1. Serial Port Sleep Mode State

This mode reflects the particular V24 state of a port (physical or virtual) regarding the possibility to enter or not 32K low consumption mode.

- This **mode is entered** automatically when:
  - The port is in AT command mode. (no GSM/GPRS communication is in progress on it).
  - No AT response is to be sent to the DTE.
  - The connected DTE is no more ready to communicate on it (meaning DTE sets DTR low).
- This **mode is left** automatically when some unsolicited responses are to be sent to the DTE.

The connected DTE is ready to communicate on it (meaning DTE sets DTR high).

CTS is set when in this mode, the DCE does not allow the DTE to send data to the involved serial port (meaning low on that port).

#### 3.7.2.2. Serial Ports Sleep Mode Global State

This mode reflects the state of all the internal serial ports regarding their ability to enter 32K low consumption mode.

It is a Boolean (asleep or not) that authorizes or not GSM/GPRS protocol and Hardware Layers to enter 32K low consumption mode.

This mode is entered and left automatically depending on the state of all currently available serial ports (virtual or physical).

- Global V24 sleep **mode is entered** when all v24 available ports are in sleep mode state.
- Global V24 sleep **mode is left** when **at least one** of the v24 available ports is not in sleep mode state.

### 3.7.2.3. Sierra Wireless 32K Low Consumption Mode

This mode is based on a slower clock (32KHz) that is used instead of 13MHz clock. Most of hardware blocks are stopped. It is aimed at reducing the power consumption.

This mode is entered and left automatically if the feature is allowed.

**To activate this mode, the "+W32K" AT command must be used.**

It is authorized or not by peripherals (such as UARTs, Buses, ...) and mainly driven by GSM/GPRS protocols and Hardware Layers: this mode is entered when no GSM/GPRS activity is required (no communication is in progress, no paging is in progress, ...).

Regarding UARTs and serial ports activity, 32K low consumption mode may be entered as soon as V24 sleep mode global state is "asleep".

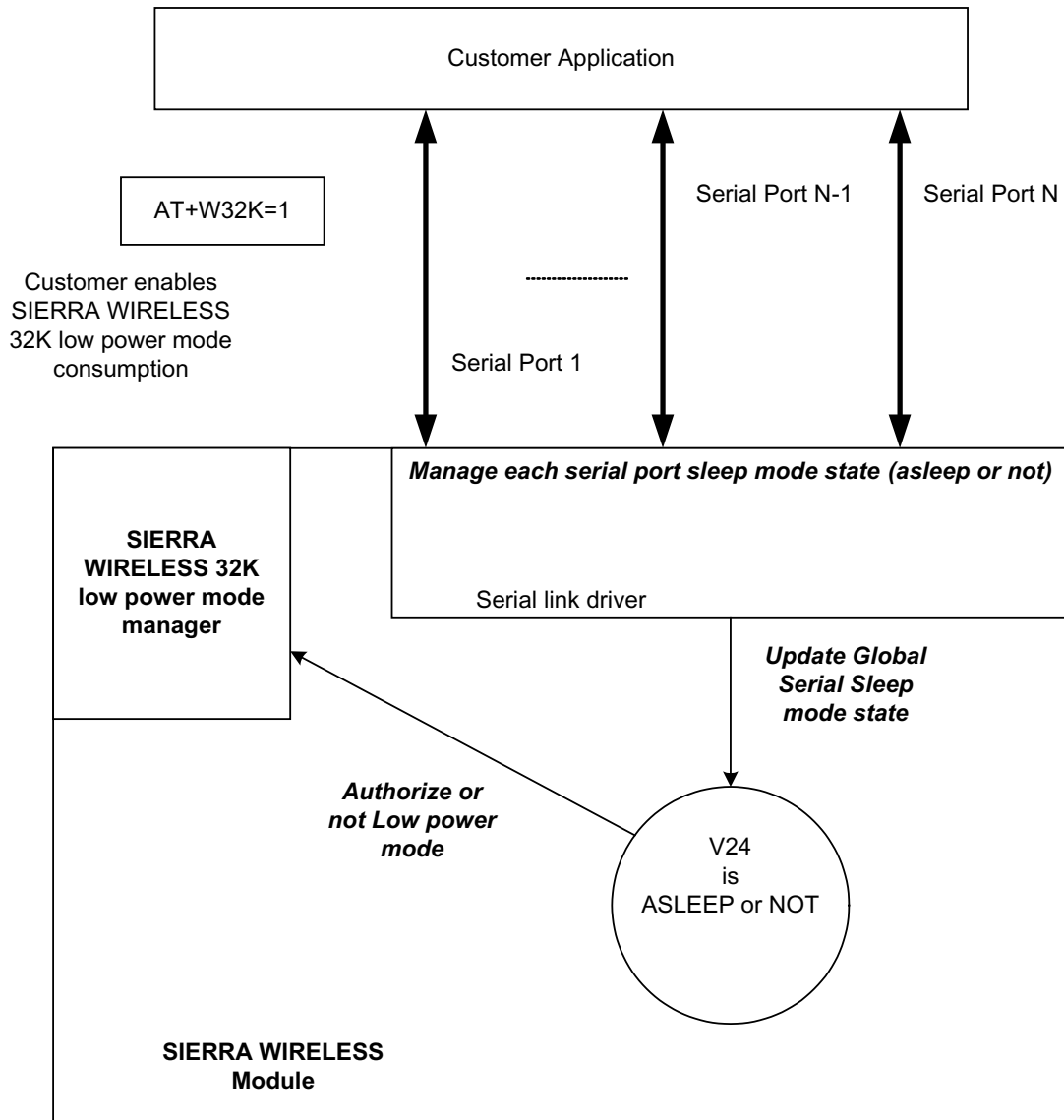
Sierra Wireless embedded module decides on its own to leave 32K low consumption at each GSM/GPRS paging occasion.

During, this little time (which is operator dependant), UARTs are activated again so that DTR state changes can be processed.

When this mode is activated, no data can be exchanged on RXD and TXD lines. Only embedded module status changes can be monitored (DTR and RTS changes) by the DCE.

### 3.7.3. Summary

To summarize the 3 definitions, the following schematics describe the functional links between, **serial port sleep mode single state manager**, **serial ports sleep mode global state manager** and **W32K sleep mode manager**.

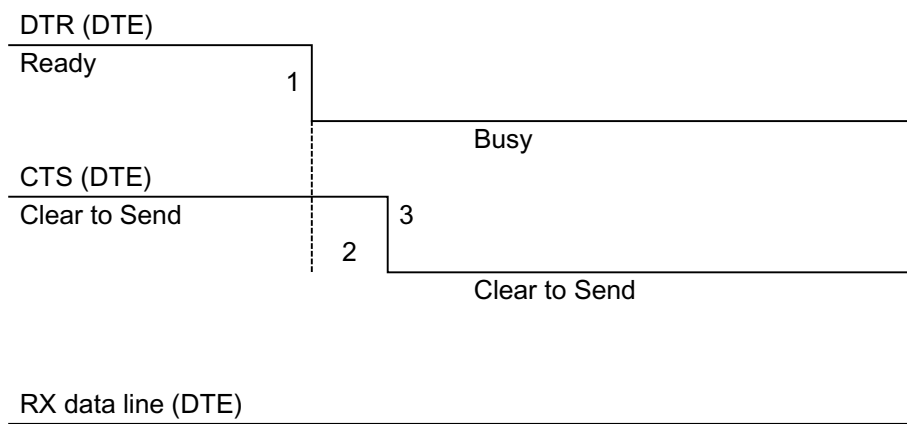


### 3.7.4. Case of Single Serial Port Use

This section describes the expected behavior for a single serial port (physical or virtual). Please remember that this behavior is independent of W32K feature activation.

#### 3.7.4.1. Sleep on Procedure

In order to place a serial port in Sleep Mode state, the DTE just has to drop its DTR signal to indicate that it is Busy. Then, Sierra Wireless embedded module (DCE) sets the DTE CTS low.



- 1: The application drops its DTR to indicate a busy state
- 2: Sierra Wireless embedded module (DCE) detects DTR drop and check if there are still AT responses to send on that port.
  - 8 : When DTR is low and there are no more AT response, the DCE sets the application (DTE) CTS low. (At this point, the associated serial port is in Sleep Mode state)

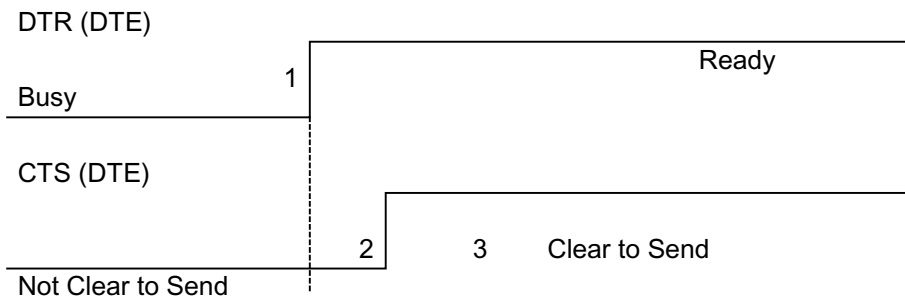
---

*Note:* While in data mode, the CTS does not follow the DTR.

---

### 3.7.4.2. Wake up Procedures

#### 3.7.4.2.1. On DTE initiative: Wake up by DTR Raise

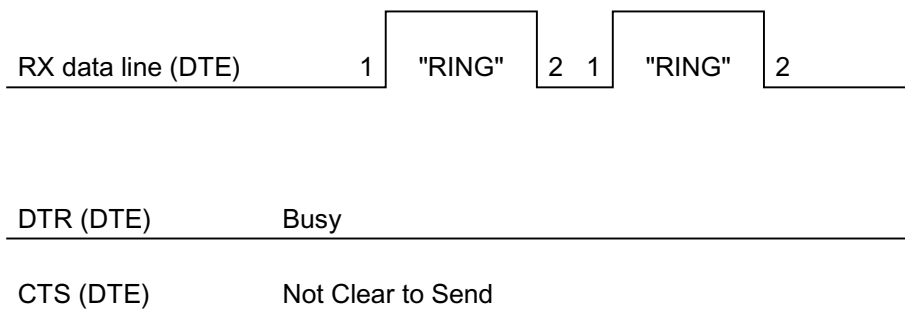


1: The application raises its DTR signal to indicate a ready state (meaning DTE wants to communicate with the DCE).

2: Sierra Wireless embedded module (DCE) takes into account the DTR signal change. (MSR IRQ for physical port or protocol frame for CMUX)

8 : V24 triggers the DTE CTS signal to allow AT commands again. (CTS is high)

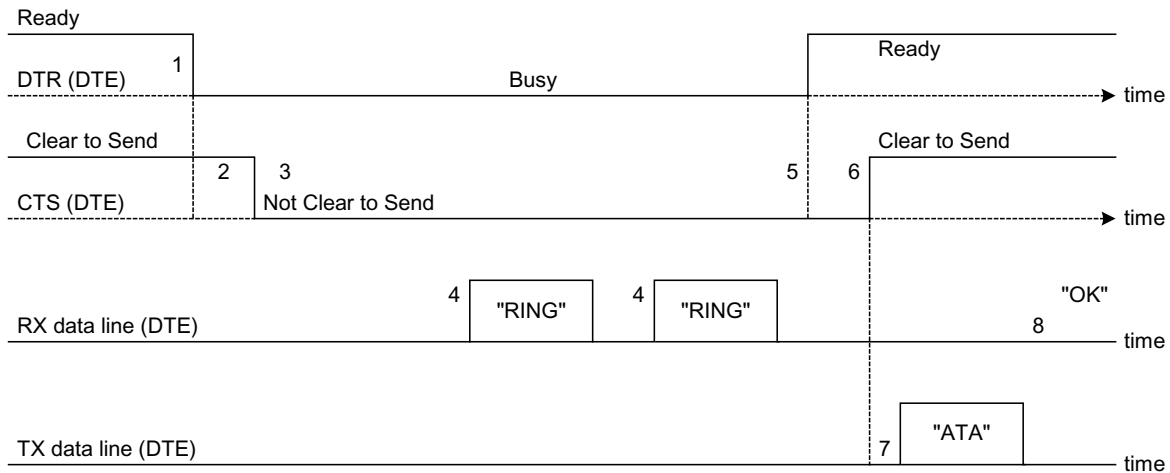
#### 3.7.4.2.2. On DCE initiative: Wake up by AT unsolicited indications ( e.g. 'RING' indicator)



1: An incoming call occurs. Consequently unsolicited indications ("RING") are sent to the DTE.

8 : As soon as unsolicited indication has been sent, the port switches back to sleep mode state (as long as there is no more AT command response to send and that DTR remains High)

### 3.7.4.3. Complete Sequence Behavior



1: The application (DTE) drops its DTR to indicate to DCE a busy state

2: Sierra Wireless embedded module (DCE) computes and check if there are still AT responses to send on that port.

3: Since no more AT response is to be sent, the DCE sets CTS to low so that application (DTE) can not send any data to the Sierra Wireless embedded module (DCE). ⇔ **At this stage, the associated serial port is in Sleep Mode state.**

4: An incoming call occurs. As a consequence, unsolicited AT indications (e.g. "RING") are sent to the DTE.

**Note that even if RING are sent, Serial Port remains in Sleep Mode state.**

5: Customer application (DTE) wants to answer to "RING" unsolicited AT indications. It **MUST** raise first DTR to wake up the serial Port.

6: On Sierra Wireless embedded module (DCE), detection of DTR rise informs that customer application (DTE) wants to get out from sleep mode state. DCE sets CTS high so that customer application (DTE) can send again data to Sierra Wireless embedded module.

**Note that at this stage, Serial Port is no more in Sleep Mode state.**

7: Customer application (DTE) replies to RING indication with "ATA" command.

8: Sierra Wireless embedded module (DCE) acknowledges and processes the command.

**Note that this behavior applies whether W32K is activated or not.**

### 3.7.4.4. Transition State (from Asleep to Awake)

When unsolicited AT responses are to be sent (e.g. "RING" indication), V24 software elements enters a transition state that places the global sleep mode state in the "Awake State". Thus, until unsolicited responses are sent, the Sierra Wireless embedded module can not enter Low power mode consumption (W32K). As a consequence, RTS signal MUST remain High to allow the transmission of the unsolicited response.

---

*Note:* Mind that unsolicited responses are broadcasted on all available serial ports ⇔ **when unsolicited responses are to be sent (e.g. "RING") on a serial port and signals are not managed (e.g. RS232 cable is disconnected whereas associated V24 serial port is still registered) then Sierra Wireless embedded module is not allowed to enter W32K low power mode consumption.**

---

### 3.7.5. Case of Several Serial Ports Use

The behavior specified in section [Case of Single Serial Port Use](#) applies to each of the activated serial ports (physical or virtual e.g. CMUX).

---

*Note:* When Sierra Wireless 32K low power mode is activated (AT+W32K=1), embedded module really enters low power mode when all activated serial ports are set to sleep mode state.

---

### 3.7.6. UART2 Exception (on all embedded modules)

Physical block of the UART2 only provides embedded module with RX/TX and CTS/RTS signals so that DTR can not be wired on UART2 serial port.

Since only RXD/TXD and RTS/CTS are available, there is no way to enter/leave sleep mode on this particular port.

Thus, UART2 is not scanned to manage global Serial Sleep mode state. As a consequence, **data can be lost on UART2 if W32k is activated.**

---

*Note:* When emulating one (or more) virtual port(s) over UART2 using CMUX feature, it is then possible to use W32K mode.

---

## 3.8. Description of Multi-Flow Behavior

Multi-flows allow the embedded module to treat commands from various sources (or flows):

- UART ports
- USB port
- embedded applications.
- CMUX virtual ports

AT commands are organized in classes, and multi-flow allows the simultaneous execution of commands of different classes coming from the possible sources:

- commands belonging to the same class can not be treated at the same time. When a command of a class is treated, the embedded module will respond "busy" to any command of the same class until the first command processing has completed.
- when a flow is waiting for the treatment of a command, it is busy until the command execution completion.

Example:

The embedded module receives a command of class AT\_CLASS\_PHONEBOOK on UART1. The processing of the command starts, and a response from the phonebook entity is expected. No other command of the AT\_CLASS\_PHONEBOOK class can be processed, and the UART1 port is busy.

The embedded module receives then a command from USB port, of another class. It is able to immediately process this second command.

When the phonebook entity answers, the first command's processing completes. UART1 port and AT\_CLASS\_PHONEBOOK class are released.

### Notes:

- concatenation of commands remains possible,
- the Repeat command (A) runs independently for each flow,
- an embedded application or "+WMFM" AT command may change data redirection.

### 3.8.1. Commands Classes

There are 27 commands classes, presented in the array below:

| Class name        | Related commands                                                                                                                 |
|-------------------|----------------------------------------------------------------------------------------------------------------------------------|
| AT_CLASS_A_SLASH  | A/                                                                                                                               |
| AT_CLASS_COM      | +CHLD, +VTD, +VTS, +WATH, A, D, DL, H, O                                                                                         |
| AT_CLASS_CPHS     | +CPHS, +WALS, +WMBN                                                                                                              |
| AT_CLASS_DATA     | +CRLP, +DOPT                                                                                                                     |
| AT_CLASS_FAX      | +FBOR, +FBUF, +FCQ, +FCR, +FDCC, +FDIS, +FPHCT, +FRH, +FRM, +FRS, +FTH, +FTM, +FTS, FLID                                         |
| AT_CLASS_GPRS     | +CGACT, +CGANS, +CGATT, +CGAUT, +CGCLA, +CGDATA, +CGDCONT, +CGERE, +CGPAD, +CGQMI, +CGQRE, +CGREG, +CGSMS, +GCAP, +WGPRS;+CGCMOD |
| AT_CLASS_LOCATION | +WLOC                                                                                                                            |



| Class name         | Related commands                                                                                                                                                                                                                                                                                                                                                                                                                                                                                                                                                                                               |
|--------------------|----------------------------------------------------------------------------------------------------------------------------------------------------------------------------------------------------------------------------------------------------------------------------------------------------------------------------------------------------------------------------------------------------------------------------------------------------------------------------------------------------------------------------------------------------------------------------------------------------------------|
| AT_CLASS_MAIN      | %D, &C, &D, &E, &F, &S, &T, &V, &W, +ADC, +ATGH;+CALA, +CBST, +CCLK, +CEER, +CGMI, +CGMM, +CGMR, +CGSN, +CICB, +CIND, +CLAE;+CLAN;+CLCC, +CLVL;+CMEC, +CMEE, +CMER, +CMUT, +CMUX+CPAS, +CR, +CRC, +CREG, +CRMP, +CRSL, +CSCS, +CSNS, +CSTA;+CSVM, +ECHO, +FCLASS, +ICF, +IFC, +ILRR, +IPR, +SIDET, +SPEAK, +VGR, +VGT, +VIP, +W32K, +WAC, +WADF;+WBCM, +WCCS, +WCDM, +WCDP, +WCFM, +WCTM, +WDGR; +WDGT; +WDOP, +WDTMF, +WDWL, +WFM, +WHWV, +WIMEI, +WIND, +WIOM, +WIOR, +WIOW, +WLCK, , +WMSN, +WPCS, +WREGC;+WRIM, +WRST, +WSCAN, +WSST, , +WSTR, +WSVN, +WTONE, +WVR, E, I, Q, S, V, Z, +WMFM, +WOPEN, +WCOS |
| AT_CLASS_NETWORK   | +CCED, +COPN, +COPS, +CPLS, +CPOL, +CSQ, +WMBS, +WOPN, +WOLM                                                                                                                                                                                                                                                                                                                                                                                                                                                                                                                                                   |
| AT_CLASS_PHONEBOOK | +CNUM, +CPBF, +CPBN, +CPBP, +CPBR, +CPBS, +CPBW, +WAIP, +WDPC                                                                                                                                                                                                                                                                                                                                                                                                                                                                                                                                                  |
| AT_CLASS_PHONEBOOK | WPGW, WPGR, WPGS                                                                                                                                                                                                                                                                                                                                                                                                                                                                                                                                                                                               |
| AT_CLASS_POFF      | +CFUN, +CPOF, +WBHV                                                                                                                                                                                                                                                                                                                                                                                                                                                                                                                                                                                            |
| AT_CLASS_RIL       | +CRSM, +CSIM                                                                                                                                                                                                                                                                                                                                                                                                                                                                                                                                                                                                   |
| AT_CLASS_RS        | +CPWL                                                                                                                                                                                                                                                                                                                                                                                                                                                                                                                                                                                                          |
| AT_CLASS_SECURITY  | +CLCK, +CPIN, +CPIN2, +CPINC, +CPWD                                                                                                                                                                                                                                                                                                                                                                                                                                                                                                                                                                            |
| AT_CLASS_SIM       | +CCID, +CIMI, +WLPR, +WLPW                                                                                                                                                                                                                                                                                                                                                                                                                                                                                                                                                                                     |
| AT_CLASS_SMS       | +CMGD, +CMGF, +CMGL, +CMGR, +CMGS, +CMGW, +CMSS, +CNMA, +CNMI, +CPMS, +CRES, +CSAS, +CSCA, +CSCB, +CSDH, +CSMP, +CSMS, +WCBM, +WMGO, +WMSC, +WUSS, +WMCP                                                                                                                                                                                                                                                                                                                                                                                                                                                       |
| AT_CLASS_SS        | +CACM, +CAMM, +CAOC, +CCFC, +CCUG, +CCWA, +CKPD, +CLIP, +CLIR, +COLP, +CPUC, +CSSN, +CUSD                                                                                                                                                                                                                                                                                                                                                                                                                                                                                                                      |
| AT_CLASS_STLK      | +STGI, +STGR, +STIN, +STSF                                                                                                                                                                                                                                                                                                                                                                                                                                                                                                                                                                                     |
| AT_CLASS_V24B      | %C, \N, +DR, +DS                                                                                                                                                                                                                                                                                                                                                                                                                                                                                                                                                                                               |

### 3.8.2. Remark on Error 536

When a class is locked and when another command belonging to the same class arrives, the embedded module answers +CME ERROR: 536.

## 3.9. USB CDC feature

### 3.9.1. Software Specification

The embedded module implements an Abstract Control Modem as specified in the Communication Device Class 1.1 specification, therefore a host can use the embedded module either as an embedded module device or as a virtual communication port (VCOM).

### 3.9.2. Managing the USB Feature

#### 3.9.2.1. Enabling the USB Port

To activate the USB feature, in CDC mode, the application must send the AT+WMFM=0,1,3 command to the embedded module. The embedded module replies:

- OK if the USB stack successfully started,
- +CME ERROR: 3 if the USB stack failed to start.

From here there is 2 possibilities:

- 1 – The embedded module is wired to the host, the device enumeration is done: if the enumeration is successfully completed, a VCOM and a embedded module device (viewable in the devices manager) are created at the host side otherwise the failure is notified to the user (by the host).
- 2 – The embedded module is not wired to the host: the USB stack is waiting for the USB cable plugging. As soon as the cable is plugged, the enumeration stage described above starts.

#### 3.9.2.2. Disabling the USB Port

To deactivate the USB feature, the application must send the AT+WMFM=0,0,3 command by using either the UART1 or the UART2.

Two cases are supported:

- 1- The USB stack is running in CDC mode: if the stack is stopped successfully, the embedded module replies OK, otherwise it replies '+CME ERROR: 3' (note the USB stack is still running in CDC mode).
- 2- The USB stack is stopped: the embedded module replies unconditionally '+CME ERROR: 3'.

An embedded module reset, whatever its origin, stops the USB stack. If the user has saved the USB CDC configuration in EEPROM, the stack will be restarted while the embedded module is rebooting.

Stopping the USB stack and then disabling the CDC device implies that the VCOM and embedded module are getting unavailable at the host side. The applications using these resources must be closed since the piece of software drivers they are using no longer exists.

#### 3.9.2.3. USB low power mode

USB Suspend/Resume states are supported as described in USB specifications.

USB port enters into a Suspend state when no more activity is detected on the bus.

USB port enters into a Resume state if any activity is detected on the bus.

### 3.9.3. USB Restriction

The Sierra Wireless implementation does not currently support the remote wake up feature.

### 3.9.4. Supported Applications

In a general way all the applications using a serial port can be used on the USB serial port. Some tests have been conducted with the following applications:

- hyper terminal
- Y-Modem / X-Modem / Z-Modem
- TMT
- DockLight

Delrina Fax (select the Sierra Wireless USB embedded module)

### 3.9.5. AT Command Restrictions

When using the USB port to manage the embedded module the following commands are either not supported or have a specific behavior.

- AT+ICF - character format

AT+ICF? The list of supported USB emulated serial port settings are stated (highlighted in green) in the following table. The settings highlighted in orange must not be used.

| Data number | Stop number | Kind of Parity | AT+ICF? responses                            |
|-------------|-------------|----------------|----------------------------------------------|
| 8           | 1           | None           | +ICF: 3,4                                    |
|             |             | Odd            | +ICF: 2,0                                    |
|             |             | Even           | +ICF: 2,1                                    |
|             |             | Mark           | Not supported always replies:<br>"+ICF: 2,4" |
|             |             | Space          |                                              |
| 8           | 2           | None           | +ICF: 1,4                                    |
|             |             | Odd            | +ICF: 2,0                                    |
|             |             | Even           | +ICF: 2,1                                    |
|             |             | Mark           | Not supported always replies:<br>"+ICF: 2,4" |
|             |             | Space          |                                              |
| 7           | 1           | None           | +ICF: 6,4                                    |
|             |             | Odd            | +ICF: 5,0                                    |
|             |             | Even           | +ICF: 5,1                                    |
|             |             | Mark           | Not supported always replies:<br>"+ICF: 5,4" |
|             |             | Space          |                                              |
| 7           | 2           | None           | +IFC: 4,4                                    |
|             |             | Odd            | +IFC: 5,0                                    |
|             |             | Even           | +IFC: 5,1                                    |
|             |             | Mark           | Not supported always replies:<br>"+ICF: 5,4" |
|             |             | Space          |                                              |
| 8 or 7      | 1.5         | None           | Not supported always replies                 |

| Data number | Stop number | Kind of Parity | AT+ICF? responses |
|-------------|-------------|----------------|-------------------|
|             |             | Odd            | "+ICF: 2,4"       |
|             |             | Even           |                   |
|             |             | Mark           |                   |
|             |             | Space          |                   |

AT+ICF=? will provide the same responses as it is sent on UART1 or 2.

- AT+CFUN=1 - embedded module reset

Normally (when using UART1/2 to manage the embedded module) the OK response is sent to the application **after** the embedded module reset.

When using the emulated serial port a such response is not provided! In addition the embedded module reset will cause the USB stack stopping. From the host's point of view it is similar to a USB cable disconnection. As consequence the host is going to un-install the Sierra Wireless USB driver and the application will reference a non valid driver.

- AT+WDWL - firmware download

This command is unsupported when using the USB serial emulated port.

## >> 4. Interoperability

All the commands listed below are only used for interoperability with other applications. They have no action and always reply OK.

| Command | Responses |
|---------|-----------|
| ATB     | OK        |
| ATC     | OK        |
| ATG     | OK        |
| ATL     | OK        |
| ATM     | OK        |
| ATN     | OK        |
| ATP     | OK        |
| ATT     | OK        |
| ATW     | OK        |
| ATX     | OK        |
| ATY     | OK        |
| ATK     | OK        |
| AT&E    | OK        |
| AT&G    | OK        |
| AT&K    | OK        |
| AT&P    | OK        |
| AT&Q    | OK        |
| AT&R    | OK        |
| AT&Y    | OK        |
| AT+GOI  | OK        |
| AT+GCI  | OK        |



## 5. AirPrime Management Services

The commands listed in the following table are available using the AirPrime Management Services.

| Command   |
|-----------|
| &C        |
| &D        |
| &S        |
| &V        |
| &W        |
| +ADC      |
| +CFUN     |
| +CGCLASS  |
| +CGDCONT  |
| +COPS     |
| +CPIN2    |
| +CPINC    |
| +ICF      |
| +IFC      |
| +IPR      |
| +WAIP     |
| +WASR     |
| +WBCM     |
| +WBHV     |
| +WCPS     |
| +WDSO     |
| +WGPRS    |
| +WHCNF    |
| +WIPS     |
| +WOPEN    |
| +WOPENRES |
| +WPPP     |
| E         |
| I         |
| Q         |



**SIERRA**  
WIRELESS