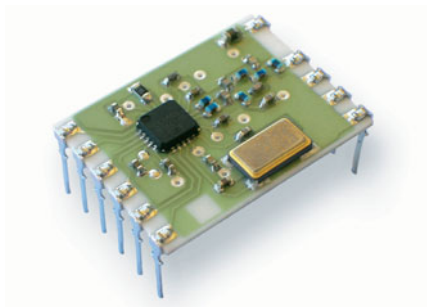




RXQ4-XXX

Sub 1GHz Multichannel Radio Transceiver
without microcontroller



General description

The RXQ4-XXX is a low-cost sub 1GHz radio transceiver designed for very low-power wireless applications, based on the CC1101(Texas Instruments).

The circuit is mainly intended for the ISM (Industrial, Scientific and Medical) and SRD (Short Range device)

frequency bands at 315, 433, 868, and 915MHZ.

XXX: custom-specified working frequency

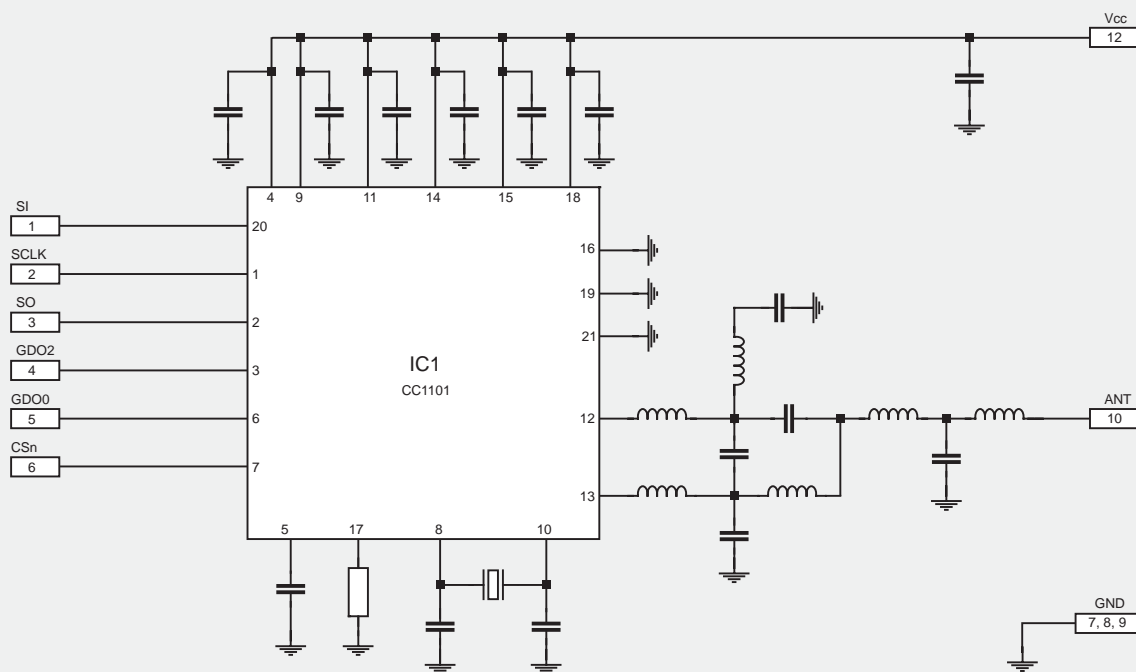
Features

- High Reliability
- DIL Package

Applications

- Wireless alarm and security systems
- Home and building automation
- AMR - Automatic Meter Reading
- Wireless Sensor networks
- Industrial monitoring and control

CIRCUIT SCHEMATIC



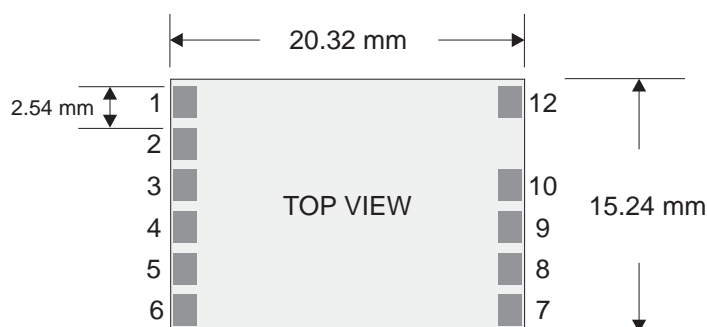
Electrical Characteristics (ref. to CC1101 Data Sheet for more informations)

CHARACTERISTICS		MIN	TYP	MAX	UNIT
V _{CC}	Supply Voltage	1.8	3	3.6	VDC
I _S	Supply Current (RX mode / TX mode)		15 / 29		mA
I _S	Supply Current (Power Down mode)		0.2		uA
P _O	RF Output Power into 50Ω		10		dBm
	RF Sensitivity (1.2 Kb/sec Data Rate)		-112		dBm
	Max Data Rate			500	Kbit/s
	StartUp Time (Sleep to RX/TX mode)		240		usec
T _{OP}	Operating Temperature Range	-25		+80	°C

Pin Description

1	SI	Serial configuration interface, data input
2	SCLK	Serial configuration interface, clock input
3	SO	Serial configuration interface, data output
4	GDO2	Digital output for general use
5	GDO0	Digital output for general use
6	CSn	Serial configuration interface, chip select
7,8,9	GND	Ground
10	ANT	Antenna
12	V _{CC}	Supply Voltage

Mechanical Dimensions



Telecontrolli Srl has an on going policy to improve the performance and reliability of their products; we therefore reserve the right to make changes without notice.

The information contained in our data sheets is believed to be accurate, however we do not assume any liability arising from the application or use of any product or circuit.



HEAD OFFICE & PLANT

Via Nazionale delle Puglie, 177
80026 CASORIA (NA), Italy
Tel: +39 081 759 90 33
Fax: +39 081 759 64 94

SALES OFFICE

sales @ telecontrolli.com

Web Site: www.telecontrolli.com