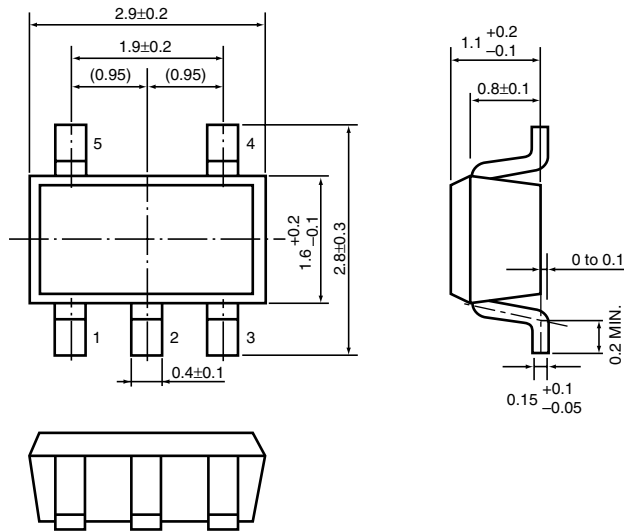


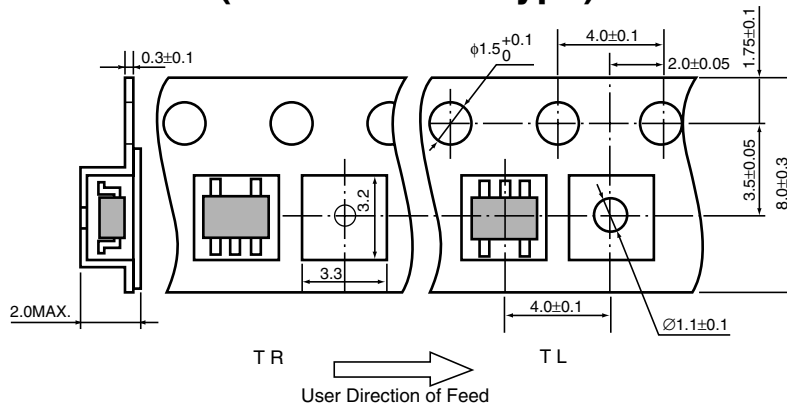
**5. SOT-23-5 (SC-74A)**

Unit: mm

**PACKAGE DIMENSIONS**



**TAPING SPECIFICATION (TR: Standard Type)**



**TAPING REEL DIMENSIONS**

(1reel=3000pcs)

