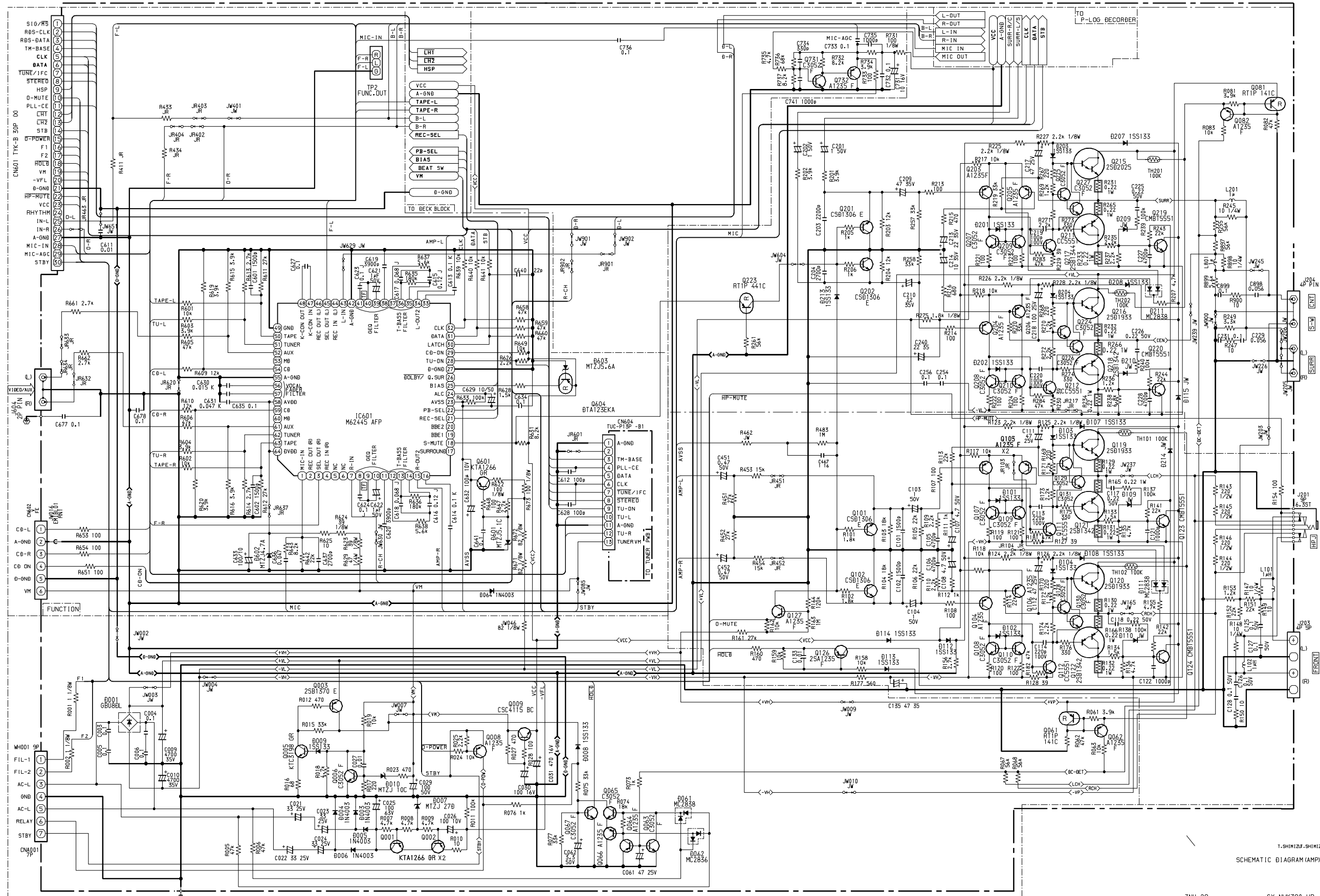


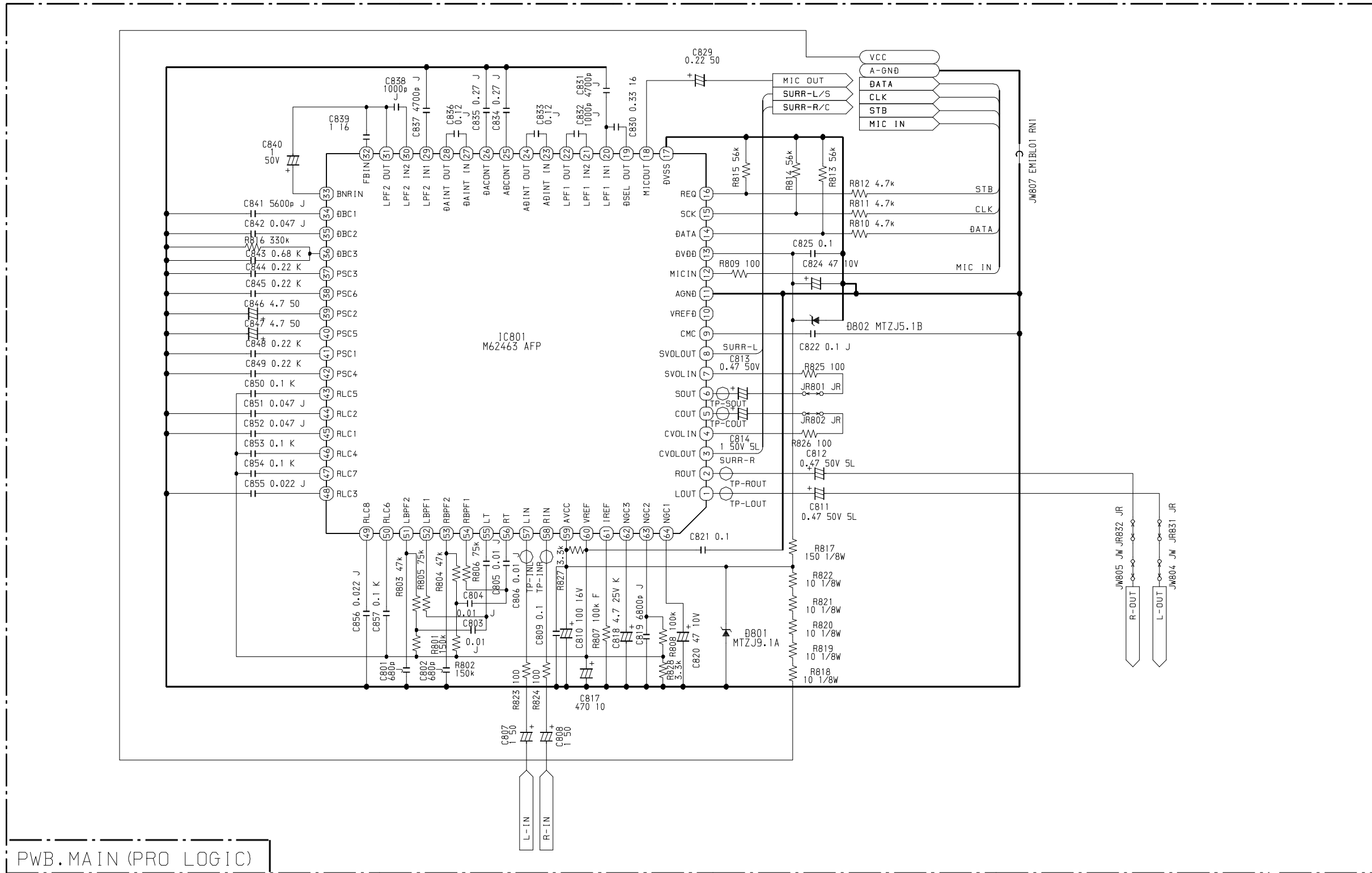
AIWA NSX-WK390 SCHEMATIC DIAGRAM_1 (AMP)



T-SHIMIZU-SHIMIZU
SCHEMATIC DIAGRAM (AMP)

1-ZNH-29MAIN-HR (P1)

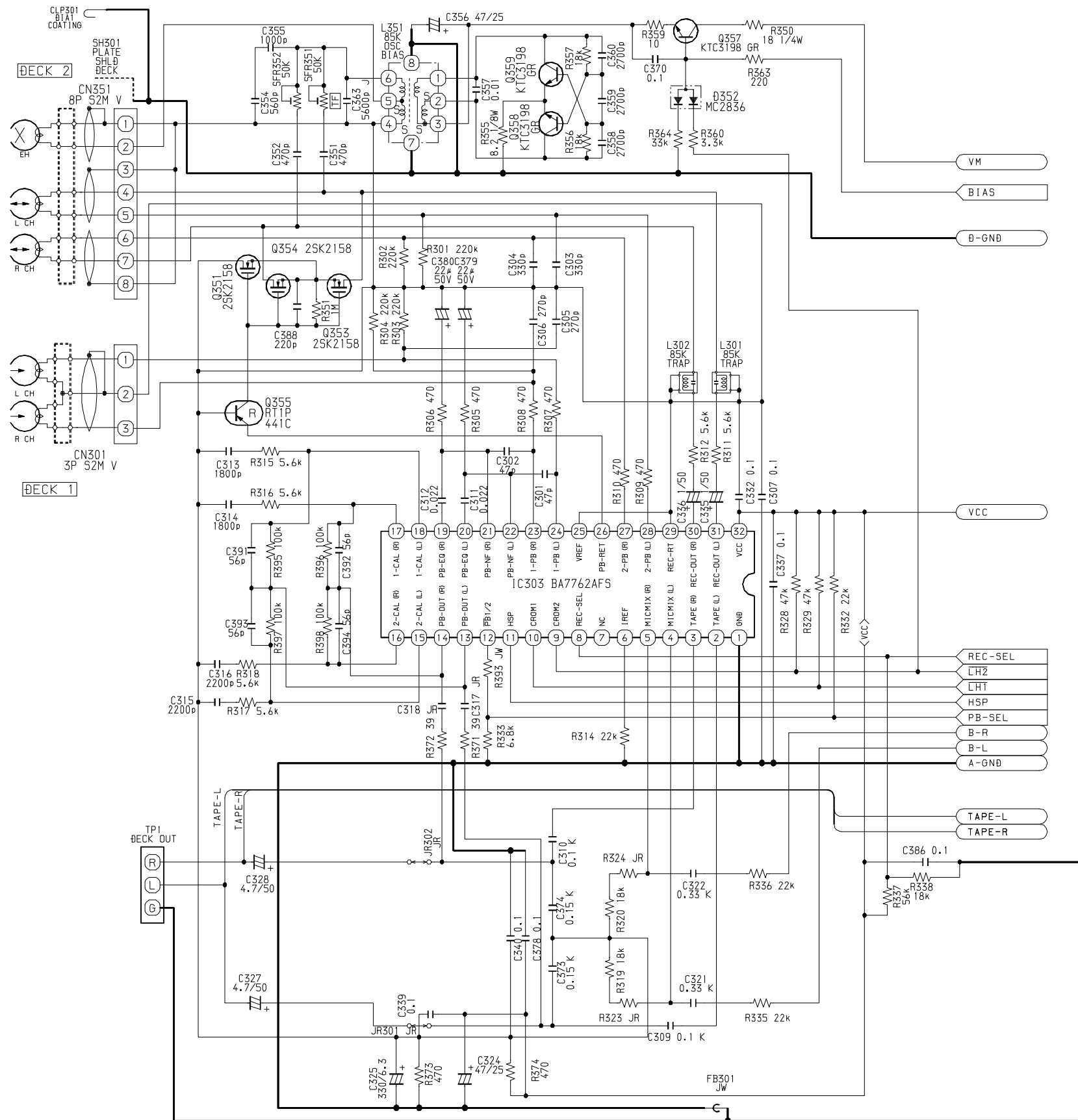
SCHEMATIC DIAGRAM - 2 (PRO-LOGIC)



PWB.MAIN (PRO LOGIC)

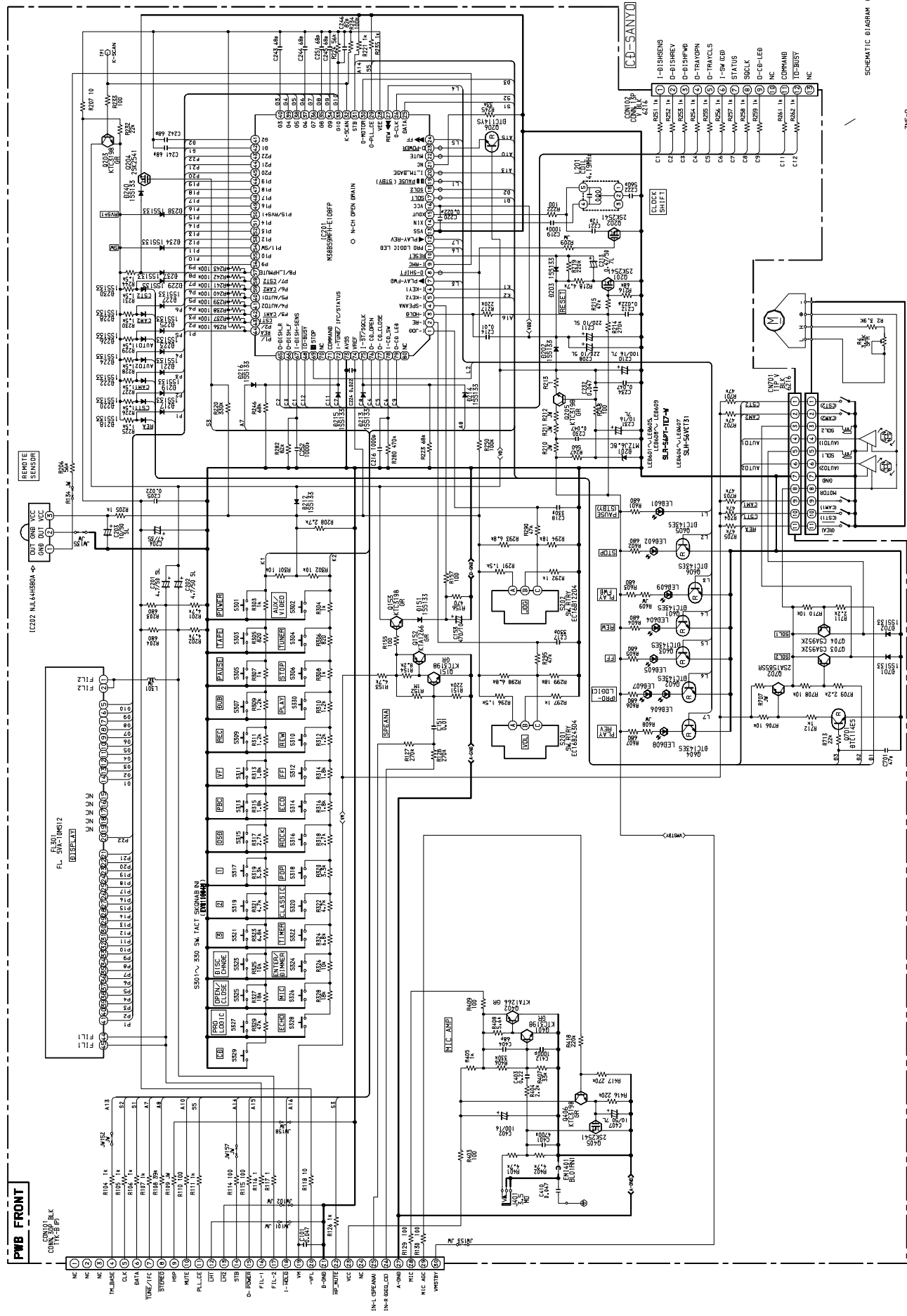
T.SHIMIZU.SHIMIZU
SCHEMATIC DIAGRAM PRO LOGIC

SCHEMATIC DIAGRAM - 3 (DECK)



T. SHIMIZU-T. SHIMIZU
SCHEMATIC DIAGRAM (DECK)

SCHEMATIC DIAGRAM - 4 (FRONT)



SCHEMATIC DIAGRAM #70
ZNF-9

12 FEB 1999