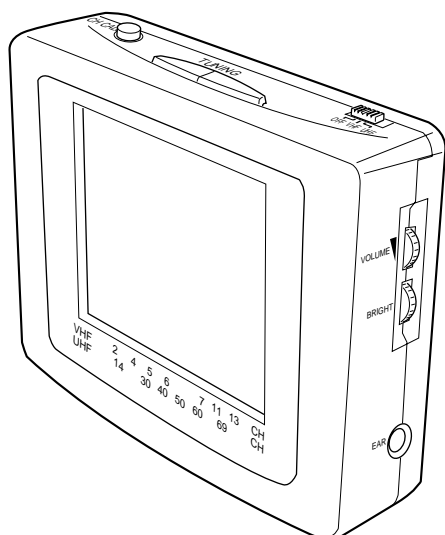


SERVICE MANUAL & PARTS LIST (without price)

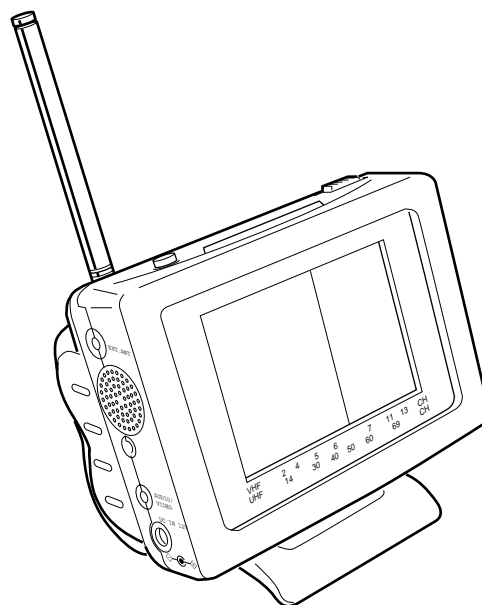
TV-M420B (KX-504B)

TV-8700B (KX-514B)

FEB. 1996



TV-M420B



TV-8700B

CASIO®

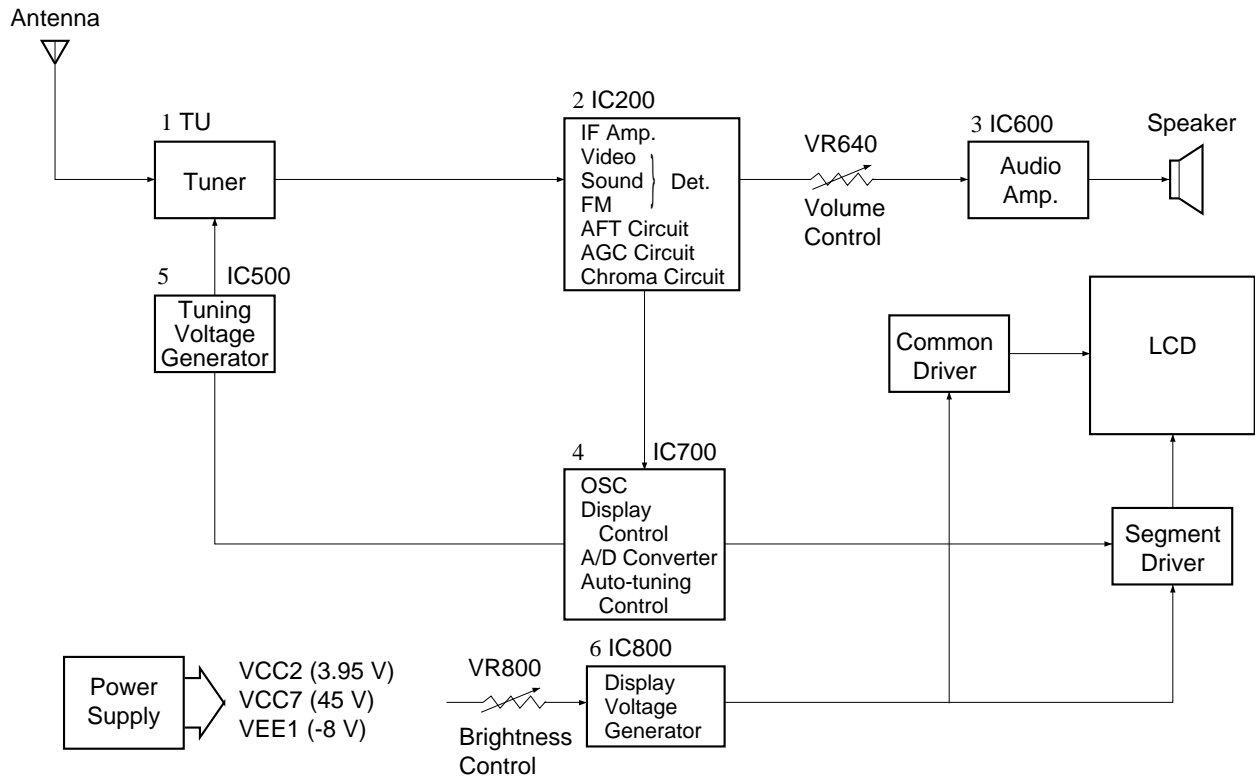
CONTENTS

SPECIFICATIONS	1
BLOCK DIAGRAM	2
PRINTED CIRCUIT BOARDS	3
EXPLODED VIEW	7
ELECTRICAL PARTS LIST.....	9
MECHANICAL PARTS LIST	15
IC AND TRANSISTOR LEAD IDENTIFICATION	17
SCHEMATIC DIAGRAMS	19
WAVEFORMS.....	21

SPECIFICATIONS

Item	Specification
1. Reception channels	VHF: 2 ~ 13 ch UHF: 14 ~ 69 ch
2. Power voltage	DC 12.0 V
3. Power consumption	TV-M420B: Approx. 6.7 W TV-8700B: Approx. 5.7 W
4. Current consumption	TV-M420B: Approx. 558 mA TV-8700B: Approx. 475 mA
5. Battery life (with alkaline batteries)	Approx. 9.0 hours (TV-8700B only)
6. Power supply	Batteries : 4 × LR20 (D) size batteries (TV-8700B only) Car adaptor : CA-K1200 AC adaptor : AD-K1200
7. Connection terminals	Earphone jack : 3.5 ø mini External power jack : 12.0 V DC IN External antenna jack : 3.5 ø mini Audio/Video jack : 3.5 ø mini Diversity jack : 3.5 ø mini (TV-M420B only)
8. Screen size	4 inches
9. No. of picture element	153,360 (213 × 720) dots
10. Dimensions	TV-M420B : 104 mm (H) × 142 mm (W) × 41 mm (D) TV-8700B : 104 mm (H) × 142 mm (W) × 74 mm (D)
11. Weight	TV-M420B : 354 g excluding batteries TV-8700B : 445 g excluding batteries
12. Options	AC adaptor : AD-K1200 Car adaptor : CA-K1200 RF connector : CF-13 Antenna matching device : AS-35S

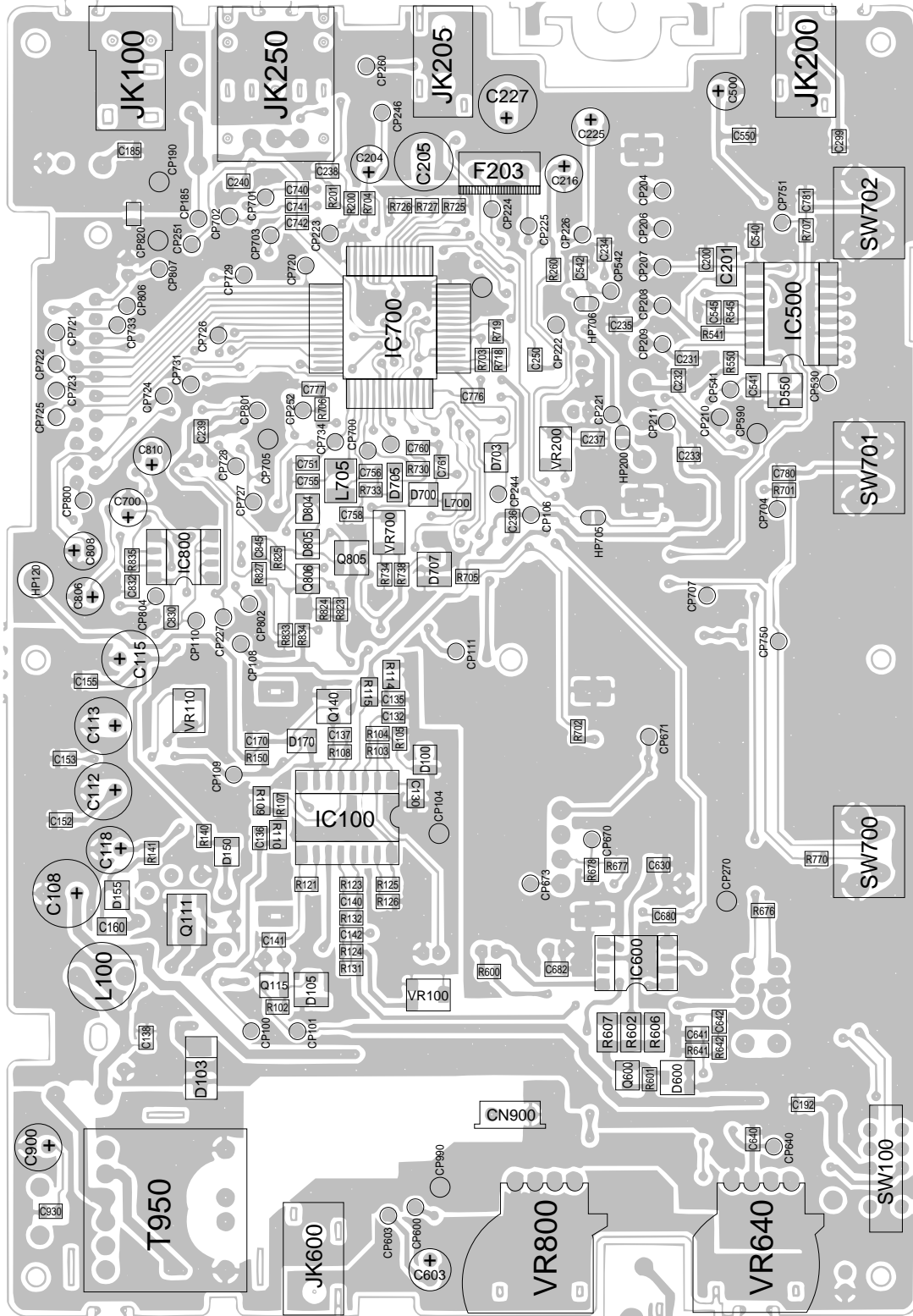
BLOCK DIAGRAM



- ① — Tuner TU TEPU5-02
Selects a desired radio wave, and changes it to the video IF signal.
- ② — Video, Sound, FM Det., AGC, Chroma circuit IC200 CST-2
Eliminates the carrier wave in the video IF signal, and picks up the video signal and the sound IF signal. The sound signal is picked up from the sound IF signal by FM detection. Generates the tricolor of red, green and blue from the video signal.
- ③ — Audio Amp. IC600 NJM386 (TV-M420B), NJM2070 (TV-M8700B)
Sound amplification.
- ④ — OSC, A/D Converter, Display / Auto-tuning Control : IC700 MSM6625-01 GSK-640E
Converts the color signal into digital signal.
Also generates the clock pulse for the display, and controls the display.
- ⑤ — Tuning Voltage Generator IC500 MSC1169MS-K
Generates the tuning voltage from the tuning pulse (TU) output of ④.
- ⑥ — Display Voltage Generator IC800 BA10358F
Generates the display voltages V0 ~ V4 from VEE1 and VCC7 outputs of the power supply.

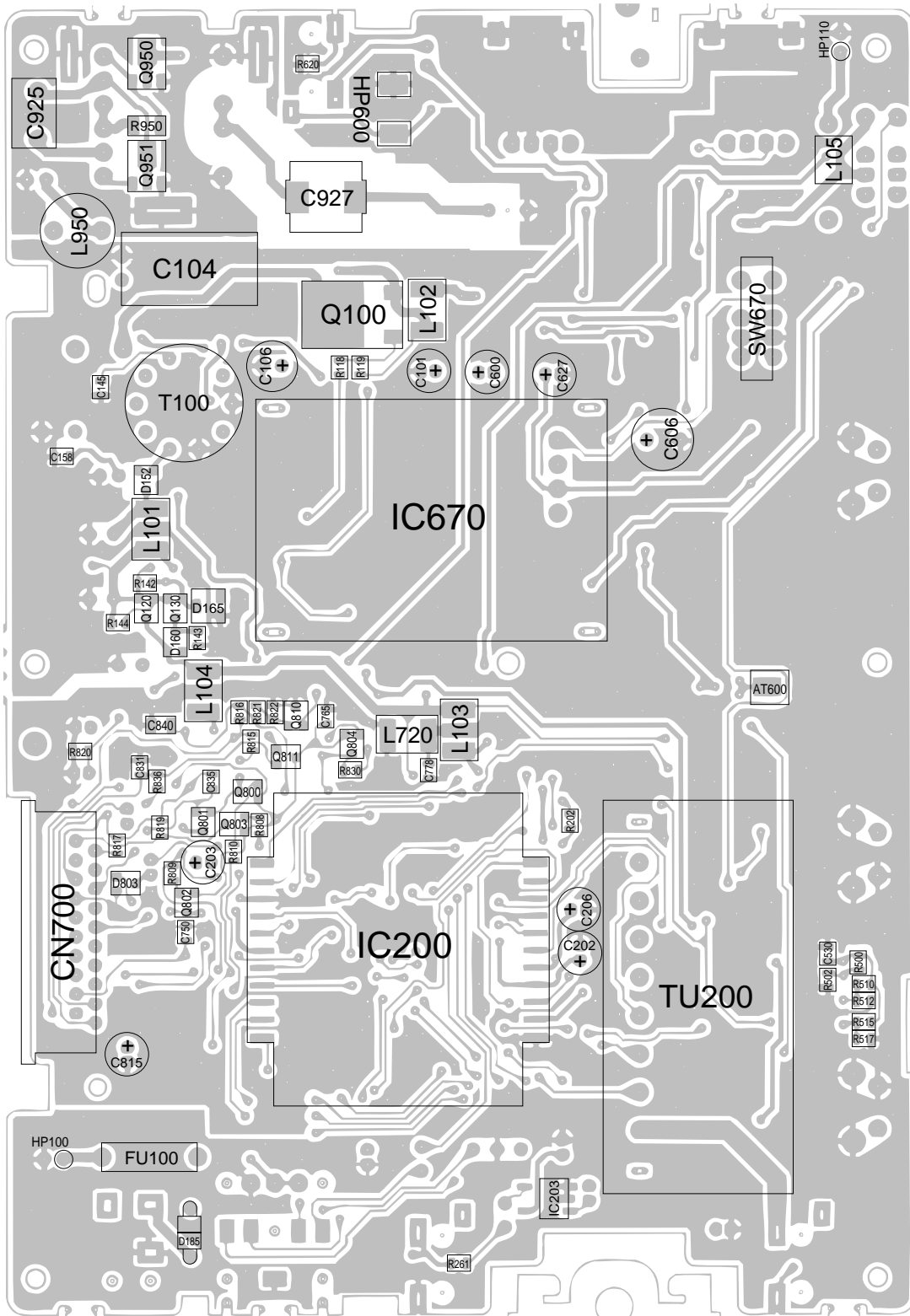
PRINTED CIRCUIT BOARDS

TV-420B



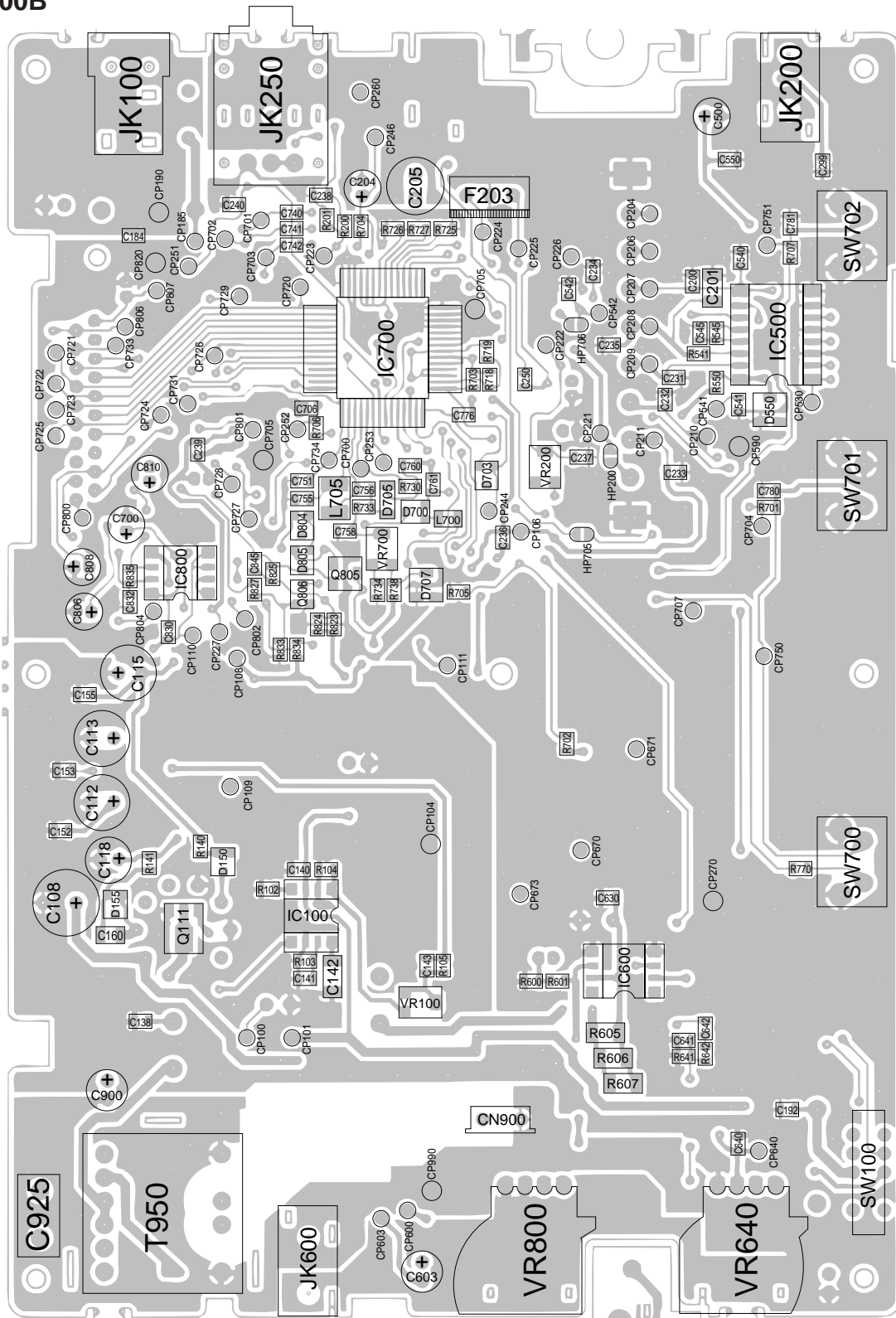
Top View

TV-M420B



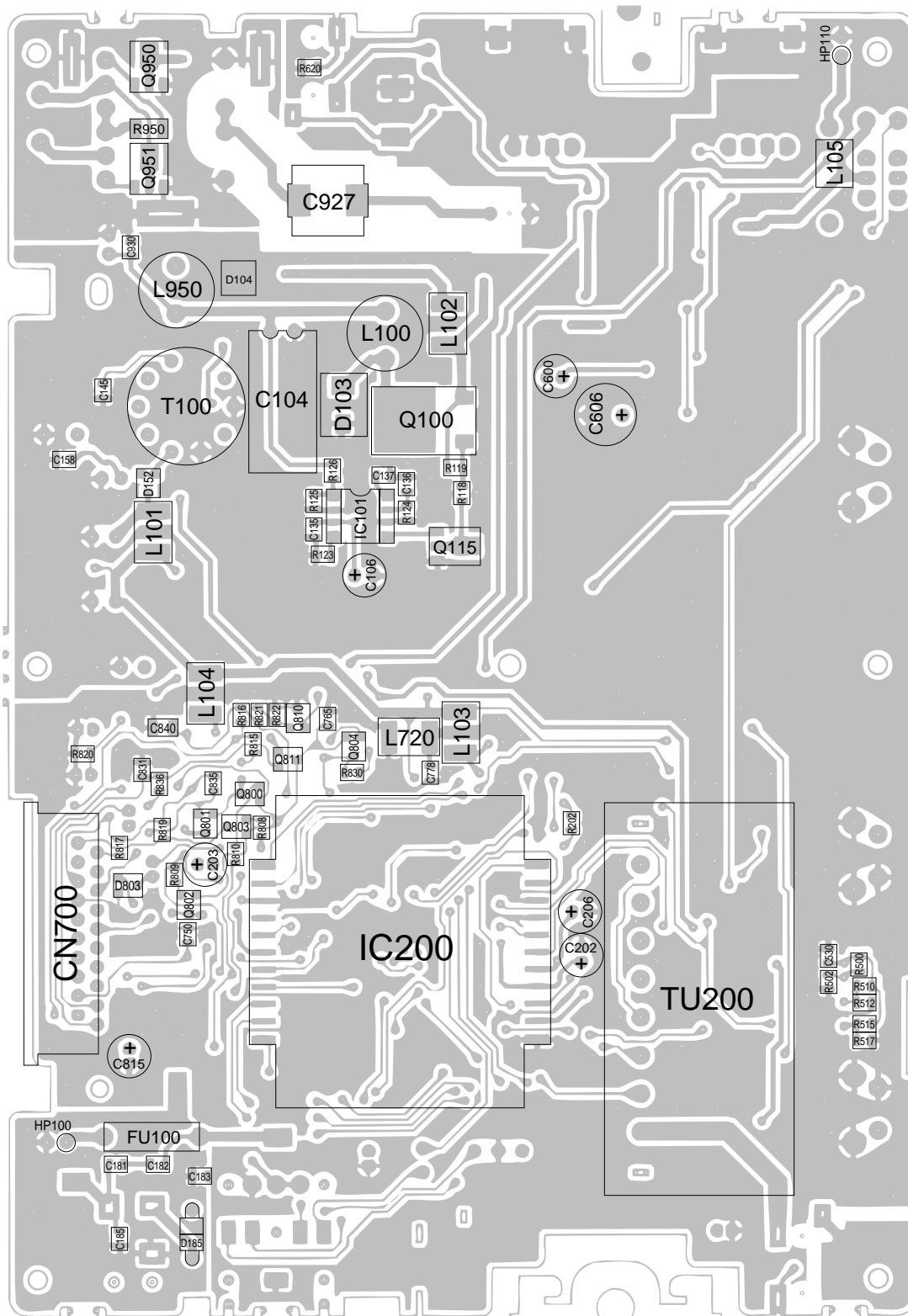
Bottom View

TV-8700B



Top View

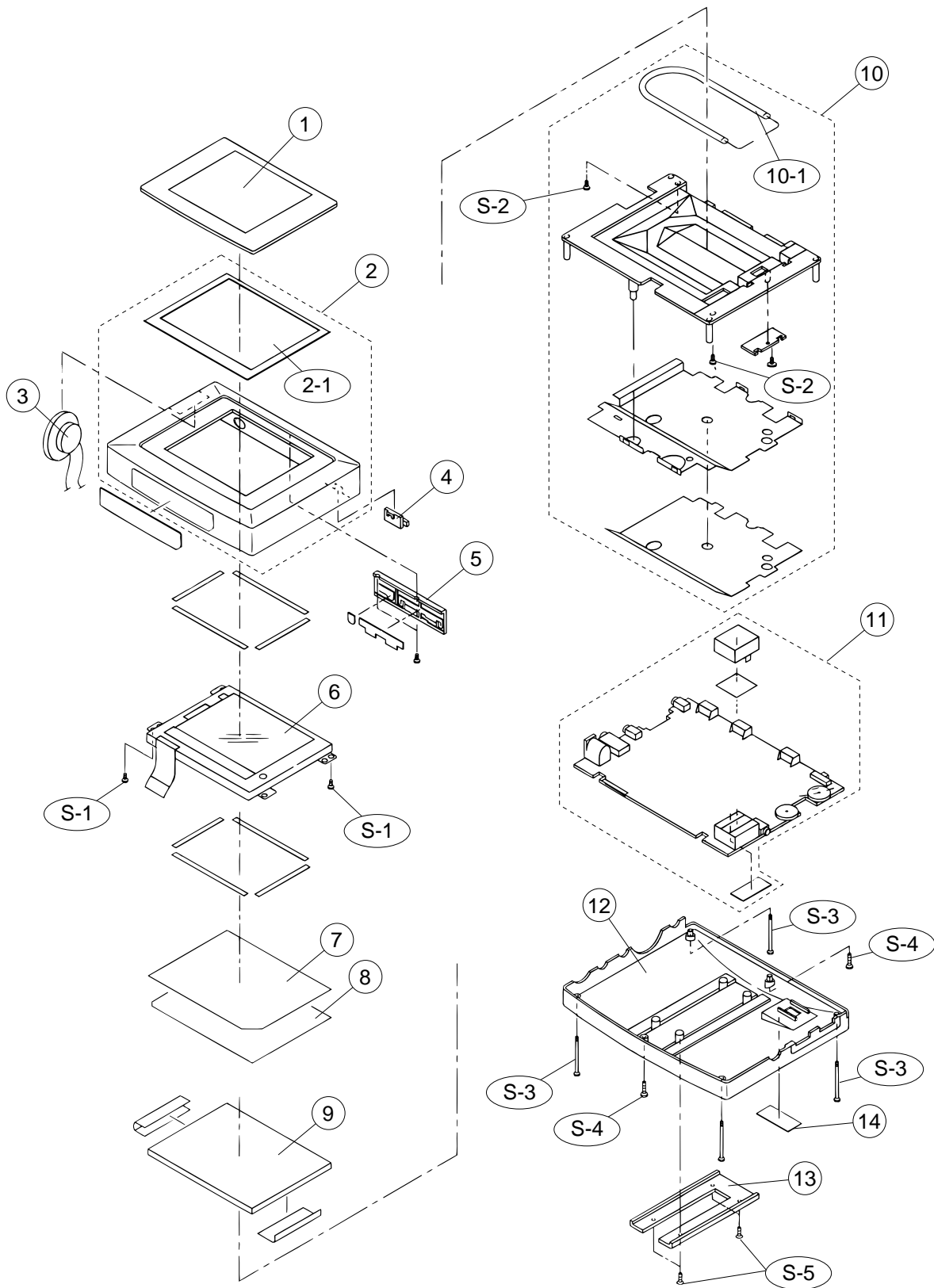
TV-8700B



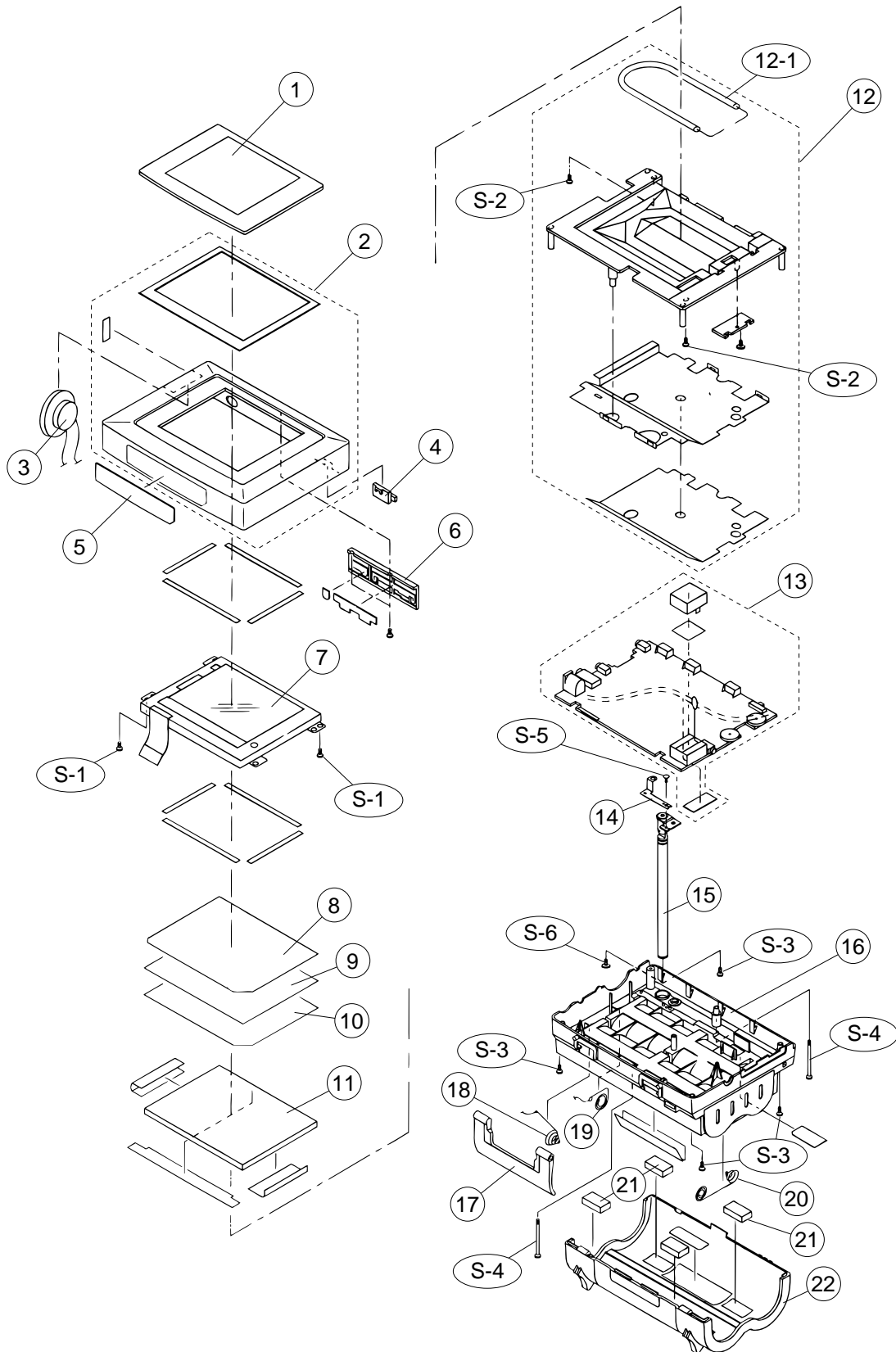
Bottom View

EXPLODED VIEW

TV-M420B



TV-8700B



ELECTRICAL PARTS LIST

For TV-M420B

N	Item	Code No.	Parts Name	Specification	Q	R
Diodes						
	D100	2390 1470	Chip diode	MA143A-(TX)	1	C
	D103	2315 0204	Chip schottky diode	MA701-(TX)	1	C
	D105	2360 2457	Chip zener diode	MA3220-L(TX)	1	C
	D150	2390 1183	Chip diode	MA142WK-(TX)	1	C
	D152	2390 1183	Chip diode	MA142WK-(TX)	1	C
	D155	2390 1470	Chip diode	MA143A-(TX)	1	C
	D160	2390 1183	Chip diode	MA142WK-(TX)	1	C
	D165	2360 2646	Chip zener diode	MA3039-H(TX)	1	C
	D185	2390 1190	Chip diode	ERA15-01Y	1	C
	D550	2360 1344	Chip zener diode	MA3330-M(TX)	1	C
	D600	2360 0854	Chip zener diode	MA3100-M(TX)	1	C
	D700	2390 1470	Chip diode	MA143A-(TX)	1	C
	D703	2390 1470	Chip diode	MA143A-(TX)	1	C
	D705	2390 1358	Variable diode	MA329-(TX)	1	C
	D707	2360 0854	Chip zener diode	MA3100-M(TX)	1	C
	D803	2390 1470	Chip diode	MA143A-(TX)	1	C
	D804	2390 1470	Chip diode	MA143A-(TX)	1	C
	D805	2390 1477	Chip diode	MA142WA-(TX)	1	C
Fuse						
	FU100	3632 0469	Fuse	PI-251001(F10)	1	B
ICs						
	IC100	2114 2660	Linear IC	FA7611M-TE1	1	C
	IC200	2114 4872	HIC	CST-2	1	C
	IC203	2114 2093	Linear IC	MM1031XMR	1	C
	IC500	2114 2842	Linear IC	MSC1169MS-KR1-620	1	C
	IC600	2114 1750	Linear IC	NJM386-M-T1	1	C
	IC700	2011 2695	LSI	MSM6625-01GSK-640E	1	C
	IC800	2116 0119	OP AMP	BA10358F-T1	1	C
Jacks						
	JK100	3501 6734	Jack	LGP6531-0440	1	C
	JK200	3501 5439	Jack	HSJ1456-01-210	3	C
	JK205	3501 5439	Jack	HSJ1456-01-210	3	C
	JK250	3501 3773	Jack	HSJ6063-01-410	1	C
	JK600	3501 5439	Jack	HSJ1456-01-210	3	C
Transistors						
	Q100	2251 0833	Transistor	2SB1261K-Z	1	B
	Q111	2250 1260	Chip transistor	2SD1624S-TD	1	B
	Q115	2253 0133	Chip transistor	2SD1819A-R(TX)	1	B
	Q120	2251 0189	Chip transistor	2SB1218A-R(TX)	1	B
	Q130	2253 0133	Chip transistor	2SD1819A-R(TX)	1	B
	Q600	2253 0133	Chip transistor	2SD1819A-R(TX)	1	B
	Q800	2253 0133	Chip transistor	2SD1819A-R(TX)	1	B
	Q801	2251 0189	Chip transistor	2SB1218A-R(TX)	1	B
	Q802	2253 0133	Chip transistor	2SD1819A-R(TX)	1	B
	Q803	2253 0133	Chip transistor	2SD1819A-R(TX)	1	B
	Q804	2253 0133	Chip transistor	2SD1819A-R(TX)	1	B
	Q805	2253 0476	Chip transistor	2SD1149-S(TX)	1	B
	Q806	2253 0133	Chip transistor	2SD1819A-R(TX)	1	B
	Q810	2251 0189	Chip transistor	2SB1218A-R(TX)	1	B
	Q811	2253 0133	Chip transistor	2SD1819A-R(TX)	1	B
N	Q950	2250 1449	Chip transistor	2SD1624T-TD	1	B

Notes: N – New parts
 Q – Quantity used per unit
 R – Rank

For TV-M420B

N	Item	Code No.	Parts Name	Specification	Q	R
N	Q951	2250 1449	Chip transistor	2SD1624T-TD	1	B
Switches						
	SW100	3412 0798	Slide switch	ESD-11H231	1	C
	SW700	3412 0469	Switch	SKHHLN	1	C
	SW701	3412 0469	Switch	SKHHLN	1	C
	SW702	3412 0469	Switch	SKHHLN	1	C
Coils and Converter						
N	T100	3065 0616	DC-DC converter	LC12U-36	1	B
Transformer						
	T950	3012 1358	Inverter trans	E-12116-CI01	1	B
Tuner						
	TU200	1013 5511	Tuner	TEPU5-02	1	C
Variable resistors						
	VR640	2765 0616	Volume	RK09H11T-10KB	1	C
	VR800	2765 0623	Volume	RK09H11T-20KB	1	C

Notes: N – New parts
 Q – Quantity used per unit
 R – Rank

The following electrical parts will be not supplied from CASIO. (For TV-M420B)

C101	6.3RC2-22	C776	GR39Y5V103Z50PT	R602	ERJ-8GEYJ181V
C104	10RSH-180S31-G9	C777	GR39CH271J50PT	R606	ERJ-8GEYJ221V
C106	25RC2-22MS	C778	ERJ-3GEY0R00V	R607	ERJ-8GEYJ221V
C108	25RE2-220	C806	50RC2-3R3	R620	ERJ-3GEYJ470V
C112	6.3RC2S-100	C808	50RC2-2R2	R642	ERJ-3GEYJ113V
C113	6.3RC2S-100	C810	50RC2-1	R650	ERJ-3GEYJ561V
C118	50RC2-10MS	C831	GR39Y5V104Z25PT	R701	ERJ-3GEYJ562V
C130	GR40CH681J50PT	C832	GR39Y5V104Z25PT	R702	ERJ-3GEYJ333V
C132	GR39W5R222K50PT	C835	GR39Y5V104Z25PT	R703	ERJ-3GEYJ105V
C135	GR40Y5V104Z25PT	C840	GR40W5R273K50PT	R704	ERJ-3GEYJ102V
C136	GR39W5R222K50PT	C845	GR39CH100D50PT	R705	ERJ-3GEYJ563V
C137	GR39W5R222K50PT	C900	10SC10M	R706	ERJ-3GEY0R00V
C140	GR40SL681J50PT	C925	ECQ-V1H154JZ	R707	ERJ-3GEY0R00V
C141	GR39Y5V104Z25PT	C927	DE1007SL121J3K	R719	ERJ-3GEY0R00V
C142	GR39W5R472K50PT	F203	TPS4.5MB	R725	ERJ-3GEYF201V
C145	GR40W5R222K50PT	L100	RCH895-221K	R726	ERJ-3GEYF152V
C152	GR39W5R102K50PT	L101	NLC453232-221K-TP	R727	ERJ-3GEYF122V
C158	GR40Y5V104Z50PT	L102	NLC453232-100K-TP	R730	ERJ-3GEYJ562V
C185	GR39Y5V104Z25PT	L103	NLC453232-100K-TP	R733	ERJ-3GEYJ104V
C192	GR39Y5V103Z50PT	L104	LEM4532-101J-TP	R734	ERJ-3GEY0R00V
C200	GR39Y5V104Z25PT	L105	BL01RN1-A62B1	R738	ERJ-3GEYJ123V
C201	GR42-6W5R104K50PT	L700	BK2125HS601-T	R770	ERJ-3GEYJ122V
C202	6.3RC2-47MS	L705	LEM3225-6R8J-TP	R808	ERJ-3GEYJ153V
C203	6.3RC2-47MS	L950	RCH-875-101K	R809	ERJ-3GEYJ153V
C204	16RC2-10	R102	ERJ-3GEYJ561V	R810	ERJ-3GEYJ153V
C205	6.3RC2BP-47	R103	ERJ-3GEYF273V	R815	ERJ-3GEYJ472V
C206	6.3RC2-47MS	R104	ERJ-3GEYJ684V	R816	ERJ-3GEYJ183V
C216	6.3RC2-47MS	R105	ERJ-6GEYJ271V	R817	ERJ-3GEYJ183V
C225	50RC2-1	R107	ERJ-3GEYJ682V	R819	ERJ-3GEYJ183V
C227	6.3RC2-220MS	R108	ERJ-3GEYJ105V	R820	ERJ-3GEYJ184V
C231	GR39Y5V103Z50PT	R109	ERA-6YED153V	R821	ERJ-3GEYJ154V
C232	GR39Y5V103Z50PT	R110	ERA-6YKD224V	R822	ERJ-3GEYJ203V
C234	GR39Y5V104Z25PT	R114	ERA-6YED103V	R824	ERJ-3GEYF223V
C236	GR39Y5V103Z50PT	R115	ERJ-6GEYJ820V	R825	ERJ-3GEYF124V
C237	GR39Y5V103Z50PT	R118	ERJ-3GEYJ681V	R827	ERJ-3GEYJ333V
C240	GR39Y5V103Z50PT	R119	ERJ-3GEYJ271V	R830	ERJ-3GEYJ224V
C250	GR39Y5V103Z50PT	R124	ERJ-3GEYJ562V	R833	ERJ-3GEYJ223V
C299	GR39Y5V103Z50PT	R131	ERJ-3GEYJ683V	R834	ERJ-3GEYJ104V
C500	50RC2-1	R132	ERJ-3GEYJ682V	R835	ERJ-3GEYF103V
C530	GR39Y5V104Z25PT	R140	ERJ-3GEYJ4R7V	R836	ERJ-3GEYF103V
C545	GR40W5R333K25PT	R141	ERJ-3GEYJ470V	R950	ERJ-8GEYJ182V
C550	GR39Y5V103Z50PT	R143	ERJ-3GEYJ471V	VR100	EVM-1QSW30B24
C600	16RC2-10	R144	ERJ-3GEYJ472V	VR110	POZ3AN-1-202N-T00
C603	6.3RC2-100MS	R200	ERJ-6GEYJ220V	VR200	POZ3AN-1-503N-T00
C606	25RC2-100MS	R201	ERJ-6GEYJ101V	VR700	POZ3AN-1-104N-T00
C641	GR39W5R103K50PT	R202	ERJ-6GEYJ682V		
C642	GR39Y5V104Z25PT	R260	ERJ-3GEYJ100V		
C700	6.3RC2-47MS	R261	ERJ-3GEYJ560V		
C740	GR39Y5V104Z25PT	R500	ERJ-3GEYF133V		
C741	GR39Y5V104Z25PT	R502	ERJ-3GEYF333V		
C742	GR39Y5V104Z25PT	R510	ERJ-3GEYJ154V		
C750	GR39CH470J50PT	R512	ERJ-6GEYJ224V		
C751	GR39CH470J50PT	R515	ERJ-3GEYJ154V		
C755	GR39UJ270J50PT	R517	ERJ-6GEYJ224V		
C756	GR39Y5V103Z50PT	R541	ERJ-6GEYJ223V		
C760	GR39W5R222K50PT	R545	GR40W5R103K25PT		
C761	GR39Y5V104Z25PT	R550	ERJ-6GEYJ562V		
C765	GR39Y5V103Z50PT	R600	ERJ-3GEYJ331V		

For TV-8700B

N	Item	Code No.	Parts Name	Specification	Q	R
Diodes						
	D103	2315 0204	Chip schottky diode	MA701-(TX)	1	C
	D150	2390 1183	Chip diode	MA142WK-(TX)	1	C
	D152	2390 1183	Chip diode	MA142WK-(TX)	1	C
	D155	2390 1470	Chip diode	MA143A-(TX)	1	C
	D185	2390 1190	Chip diode	ERA15-01Y	1	C
	D550	2360 1344	Chip zener diode	MA3330-M(TX)	1	C
	D700	2390 1470	Chip diode	MA143A-(TX)	1	C
	D703	2390 1470	Chip diode	MA143A-(TX)	1	C
	D705	2390 1358	Variable diode	MA329-(TX)	1	C
	D707	2360 0854	Chip zener diode	MA3100-M(TX)	1	C
	D803	2390 1470	Chip diode	MA143A-(TX)	1	C
	D804	2390 1470	Chip diode	MA143A-(TX)	1	C
	D805	2390 1477	Chip diode	MA142WA-(TX)	1	C
Fuse						
	FU100	3632 0469	Fuse	PI-251001(F10)	1	B
ICs						
	IC100	2114 3150	IC	MB3776APNF-EF	1	C
	IC101	2114 3150	IC	MB3776APNF-EF	1	C
	IC200	2114 4872	HIC	CST-2	1	C
	IC500	2114 2842	Linear IC	MSC1169MS-KR1-620	1	C
	IC600	2114 2464	Linear IC	NJM2070M-T1	1	C
	IC700	2011 2695	LSI	MSM6625-01GSK-640E	1	C
	IC800	2116 0119	OP AMP	BA10358F-T1	1	C
Jacks						
	JK100	3501 6734	Jack	LGP6531-0440	1	C
	JK250	3501 3773	Jack	HSJ6063-01-410	1	C
	JK200	3501 5439	Jack	HSJ1456-01-210	1	C
	JK600	3501 5439	Jack	HSJ1456-01-210	1	C
Transistors						
	Q100	2251 0833	Transistor	2SB1261K-Z	1	B
	Q111	2253 0308	Chip transistor	2SD1119-R(TX)	1	B
	Q115	2253 0308	Chip transistor	2SD1119-R(TX)	1	B
	Q800	2253 0133	Chip transistor	2SD1819A-R(TX)	1	B
	Q801	2251 0189	Chip transistor	2SB1218A-R(TX)	1	B
	Q802	2253 0133	Chip transistor	2SD1819A-R(TX)	1	B
	Q803	2253 0133	Chip transistor	2SD1819A-R(TX)	1	B
	Q804	2253 0133	Chip transistor	2SD1819A-R(TX)	1	B
	Q805	2253 0476	Chip transistor	2SD1149-S(TX)	1	B
	Q806	2253 0133	Chip transistor	2SD1819A-R(TX)	1	B
	Q810	2251 0189	Chip transistor	2SB1218A-R(TX)	1	B
	Q811	2253 0133	Chip transistor	2SD1819A-R(TX)	1	B
	Q950	2253 0308	Chip transistor	2SD1119-R(TX)	1	B
	Q951	2253 0308	Chip transistor	2SD1119-R(TX)	1	B
Switches						
	SW100	3412 0798	Slide switch	ESD-11H231	1	C
	SW700	3412 0469	Switch	SKHHLN	1	C
	SW701	3412 0469	Switch	SKHHLN	1	C
	SW702	3412 0469	Switch	SKHHLN	1	C
Coils and Converter						
	T100	3065 0651	DC-DC converter	LC12U-38	1	B

Notes: N – New parts
 Q – Quantity used per unit
 R – Rank

For TV-8700B

N	Item	Code No.	Parts Name	Specification	Q	R
Transformer						
	T950	3065 0644	Inverter trans	E-05127-CI02	1	B
Tuner						
	TU200	1013 5511	Tuner	TEPU5-02	1	C
Variable resistors						
	VR640	2765 0616	Volume	RK09H11T-10KB	1	C
	VR800	2765 0623	Volume	RK09H11T-20KB	1	C

Notes: N – New parts
 Q – Quantity used per unit
 R – Rank

The following electrical parts will be not supplied from CASIO. (For TV-8700B)

C104	10RSH-180S31-G9	C776	GR39Y5V103Z50PT	R706	ERJ-3GEYJ223V
C106	25RC2-22MS	C778	ERJ-3GEY0R00V	R707	ERJ-3GEYJ183V
C108	25RE2-220	C806	50RC2-3R3	R719	ERJ-3GEY0R00V
C112	6.3RC2S-100	C808	50RC2-2R2	R725	ERJ-3GEYF201V
C113	6.3RC2S-100	C810	50RC2-1	R726	ERJ-3GEYF152V
C115	16RC2-100MS	C831	GR39Y5V104Z25PT	R727	ERJ-3GEYF122V
C118	50RC2-10MS	C832	GR39Y5V104Z25PT	R730	ERJ-3GEYJ562V
C135	GR39Y5V103Z50PT	C835	GR39Y5V104Z25PT	R733	ERJ-3GEYJ104V
C136	GR39CH271J50PT	C840	GR40W5R273K50PT	R734	ERJ-3GEY0R00V
C137	GR39Y5V104Z16PT	C845	GR39CH100D50PT	R738	ERJ-3GEYJ123V
C140	GR39Y5V103Z50PT	C925	ECQ-V1H683JL	R770	ERJ-3GEYJ122V
C141	GR39CH471J50PT	C927	ECCT3F220JG	R808	ERJ-3GEYJ153V
C142	ECST1AY106R	C930	GR39Y5V104Z25PT	R809	ERJ-3GEYJ153V
C145	GR39W5R222K50PT	F203	TPS4.5MB	R810	ERJ-3GEYJ153V
C152	GR39W5R102K50PT	L100	RCH-875-101K	R815	ERJ-3GEYJ472V
C181	GR39Y5V104Z25PT	L101	NLC453232-221K-TP	R816	ERJ-3GEYJ223V
C182	GR39Y5V104Z25PT	L102	NLC453232-100K-TP	R817	ERJ-3GEYJ223V
C183	GR39Y5V103Z50PT	L103	LEM4532-101J-TP	R819	ERJ-3GEYJ203V
C184	GR39Y5V103Z50PT	L104	LEM4532-101J-TP	R820	ERJ-3GEYJ184V
C185	GR39Y5V104Z25PT	L105	BL01RN1-A62B1	R821	ERJ-3GEYJ154V
C192	GR39Y5V103Z50PT	L700	BK2125HS601-T	R822	ERJ-3GEYJ203V
C200	GR39Y5V104Z25PT	L705	LEM3225-6R8J-TP	R824	ERJ-3GEYF223V
C201	GR42-6W5R104K50PT	L950	RCH-875-101K	R825	ERJ-3GEYF124V
C202	6.3RC2-47MS	R102	ERJ-3GEYJ102V	R827	ERJ-3GEYJ333V
C203	6.3RC2-47MS	R103	ERJ-3GEYF682V	R830	ERJ-3GEYJ224V
C204	16RC2-10	R104	ERJ-3GEYJ682V	R833	ERJ-3GEYJ223V
C205	6.3RC2BP-47	R105	ERJ-3GEYJ303V	R834	ERJ-3GEYJ104V
C206	6.3RC2-47MS	R118	ERJ-3GEYJ271V	R835	ERJ-3GEYF103V
C231	GR39Y5V103Z50PT	R119	ERJ-3GEYJ561V	R836	ERJ-3GEYF103V
C232	GR39Y5V103Z50PT	R123	ERJ-3GEYJ102V	R950	ERJ-8GEYJ102V
C234	GR39Y5V104Z25PT	R124	ERJ-3GEYF333V	VR100	POZ3AN-1-203N-T00
C236	GR39Y5V103Z50PT	R125	ERJ-3GEYF152V	VR200	POZ3AN-1-503N-T00
C237	GR39Y5V103Z50PT	R126	ERJ-3GEYF912V	VR700	POZ3AN-1-104N-T00
C238	GR39W5R273K25PT	R140	ERJ-3GEYJ4R7V		
C239	GR39Y5V103Z50PT	R141	ERJ-3GEYJ470V		
C240	GR39Y5V103Z50PT	R200	ERJ-3GEYJ472V		
C250	GR39Y5V103Z50PT	R202	ERJ-3GEY0R00V		
C299	GR39Y5V103Z50PT	R500	ERJ-3GEYF133V		
C500	50RC2-1	R502	ERJ-3GEYF333V		
C530	GR39Y5V104Z25PT	R510	ERJ-3GEYJ154V		
C545	GR39W5R103K50PT	R512	ERJ-3GEYJ224V		
C550	GR39Y5V103Z50PT	R515	ERJ-3GEYJ154V		
C600	16RC2-22MS	R517	ERJ-3GEYJ224V		
C603	6.3RC2-100MS	R541	ERJ-3GEYJ223V		
C606	25RC2-100MS	R545	ERJ-3GEYJ474V		
C641	GR39W5R103K50PT	R550	ERJ-3GEYJ562V		
C642	GR39Y5V104Z25PT	R600	ERJ-3GEYJ680V		
C700	6.3RC2-47MS	R601	ERJ-3GEYJ512V		
C740	GR39Y5V104Z25PT	R605	ERJ-8GEYK3R9V		
C741	GR39Y5V104Z25PT	R606	ERJ-8GEYK3R9V		
C742	GR39Y5V104Z25PT	R607	ERJ-8GEYK3R9V		
C750	GR39CH470J50PT	R620	ERJ-3GEYJ470V		
C751	GR39CH470J50PT	R642	ERJ-3GEYJ113V		
C755	GR39UJ270J50PT	R701	ERJ-3GEYJ562V		
C756	GR39Y5V103Z50PT	R702	ERJ-3GEYJ333V		
C760	GR39W5R222K50PT	R703	ERJ-3GEYJ105V		
C761	GR39Y5V104Z25PT	R704	ERJ-3GEYJ102V		
C765	GR39Y5V103Z50PT	R705	ERJ-3GEYJ563V		

MECHANICAL PARTS LIST

For TV-M420B

N	Item	Code No.	Parts Name	Specification	Q	R
N	1	6610 7100	Display plate BIM-K504	K440522-2	1	C
	2	6610 9490	Upper case ass'y	K340462*5	1	X
	2-1	6610 5930	Adhesive tape E-K504	K440601-1	1	C
	3	3831 0854	Speaker	28-8F-03	1	C
	4	6610 5210	Switch knob A-K504	K340410-1	1	X
	5	6610 5230	Tuning button A-K504	K240314-1	1	X
	6	2725 1127	LCD ass'y	PSG140C0-T0	1	B
	7	6610 5960	Light diffuser sheet B-K504	K440599-1	1	X
N	8	6611 0860	Dimmer sheet D-K504	K440852-1	1	X
	9	6610 5220	Light diffuser plate A-K504	K440517-1	1	X
N	10	6610 9487	Reflector ass'y	K240359*5	1	X
	10-1	3851 1834	Fluorescent lamp	48U3492BK-CA38	1	A
N	11	6610 9485	Linear PCB ass'y	K240453*1	1	B
N	12	6610 5240	Lower case A-K504	K140175-1	1	X
N	13	6610 0360	Shoe AM-K635	K340292-1	1	X
N	14	6610 9560	Blind plate BIM-K504	K440795-1	1	X
	S-1	5860 0301	Screw	BT3 1.7X3.5 Ni	2	X
	S-2	5860 0203	Screw	BT3 1.7X7.5 Ni	2	X
	S-3	6603 8930	Screw A-K310	K41136-1	4	X
	S-4	5860 0805	Screw	BT3 1.7X10 Bk	2	X
	S-5	5860 9821	Screw	BT3 2X6 Bk	4	X

ACCESSORY

N	Item	Code No.	Parts Name	Specification	Q	R
		1014 6848	Car battery code	CA-K1200J-(D)	1	X
		3851 1666	Front stand	OS-25FT-(D)	1	X
		3851 1582	Car antenna	OS-62A-T-(D)	1	X

Notes: N – New parts
 Q – Quantity used per unit
 R – Rank

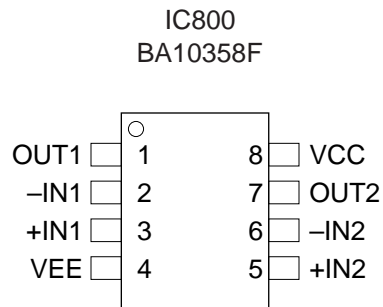
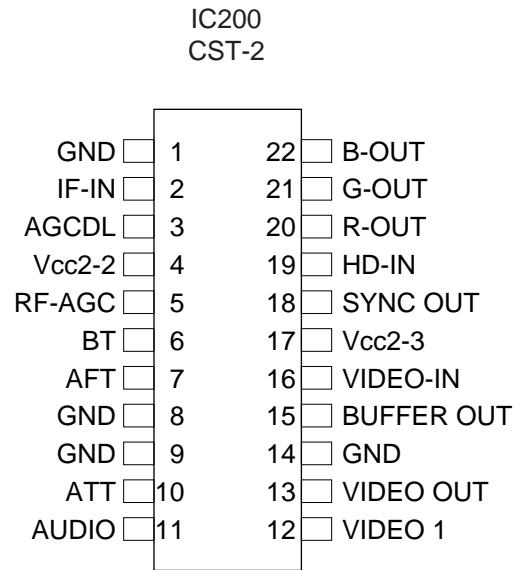
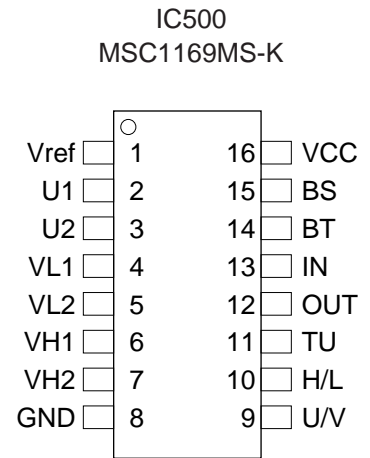
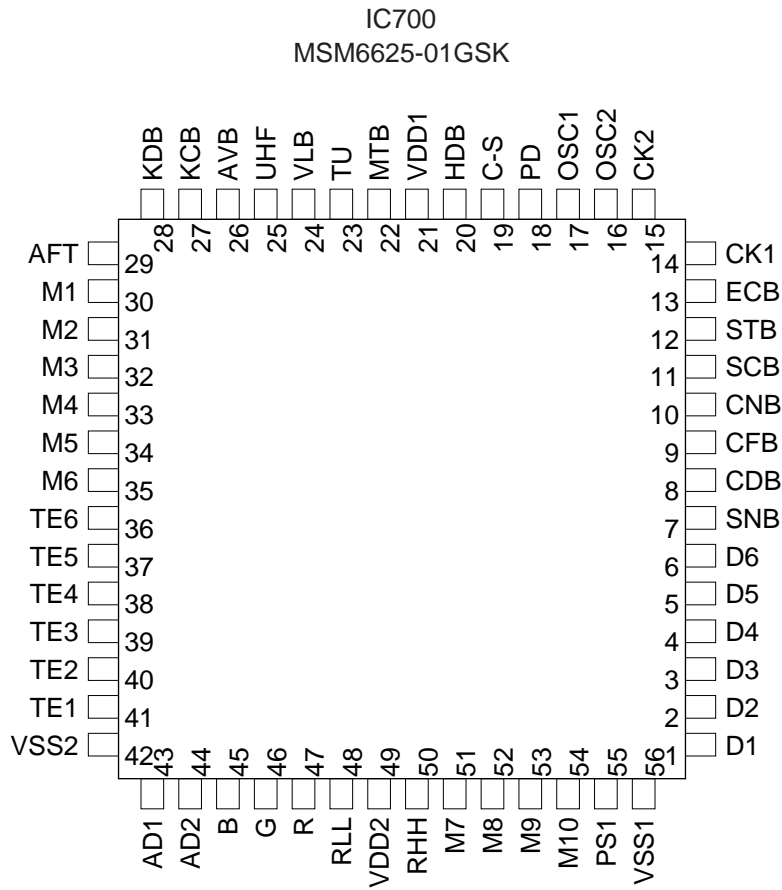
For TV-8700B

N	Item	Code No.	Parts Name	Specification	Q	R
N	1	6610 7100	Display plate BIM-K504	K440522-2	1	C
N	2	6610 8119	Upper case ass'y	K340462*3	1	X
	2-1	6610 5930	Adhesive tape E-K504	K440601-1	1	C
	3	3831 0854	Speaker	28-8F-03	1	C
	4	6610 5210	Switch knob A-K504	K340410-1	1	X
N	5	6610 8130	Rating plate BIM-K514	K440700-2	1	X
	6	6610 5230	Tuning button A-K504	K240314-1	1	X
	7	2725 1127	LCD ass'y	PSG140C0-T0	1	B
	8	6610 5960	Light diffuser sheet B-K504	K440599-1	1	X
	9	6610 7560	Dimmer sheet C-K504	K440708-1	1	X
	10	6610 5950	Dimmer sheet B-K504	K440598-1	1	X
	11	6610 5220	Light diffuser plate A-K504	K440517-1	1	X
N	12	6610 8118	Reflector ass'y	K240359*3	1	X
	12-1	3851 1834	Fluorescent lamp	48U3492BK-CA38	1	A
N	13	6610 8116	Linear PCB ass'y	K240421*1	1	B
	14	6610 8230	Antenna plate K514	K440659-1	1	X
	15	3851 1589	Rod antenna	YC-KX-618-A1	1	B
	16	6610 7000	Lower case BIM-K514	K140227-1	1	X
	17	6610 7080	Stand BIM-K514	K240396-1	1	X
	18	6610 7010	Battery spring A-K514	K440660-1	1	X
	19	6610 7020	Battery spring B-K514	K440661-1	1	X
	20	6610 7030	Battery spring C-K514	K440662-1	1	X
	21	6610 0140	Cushion C-K618	K411959-2	4	X
	22	6610 7050	Battery cover BIM-K514	K240395-1	1	X
	S-1	5860 0301	Screw	BT3 1.7X3.5 Ni	2	X
	S-2	5860 0203	Screw	BT3 1.7X7.5 Ni	2	X
	S-3	6603 8930	Screw A-K310	K41136-1	4	X
	S-4	5860 0805	Screw	BT3 1.7X10 Bk	2	X
	S-5	5860 0420	Screw	BT3 1.7X4 Ni	1	X
	S-6	6609 8740	Screw A-K618	K412031-2	1	X

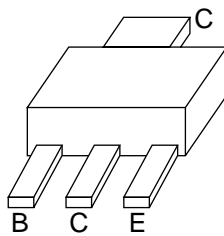
Notes: N – New parts
Q – Quantity used per unit
R – Rank

IC AND TRANSISTOR LEAD IDENTIFICATION

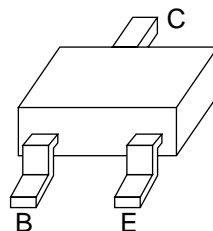
IC/LSI



TRANSISTOR



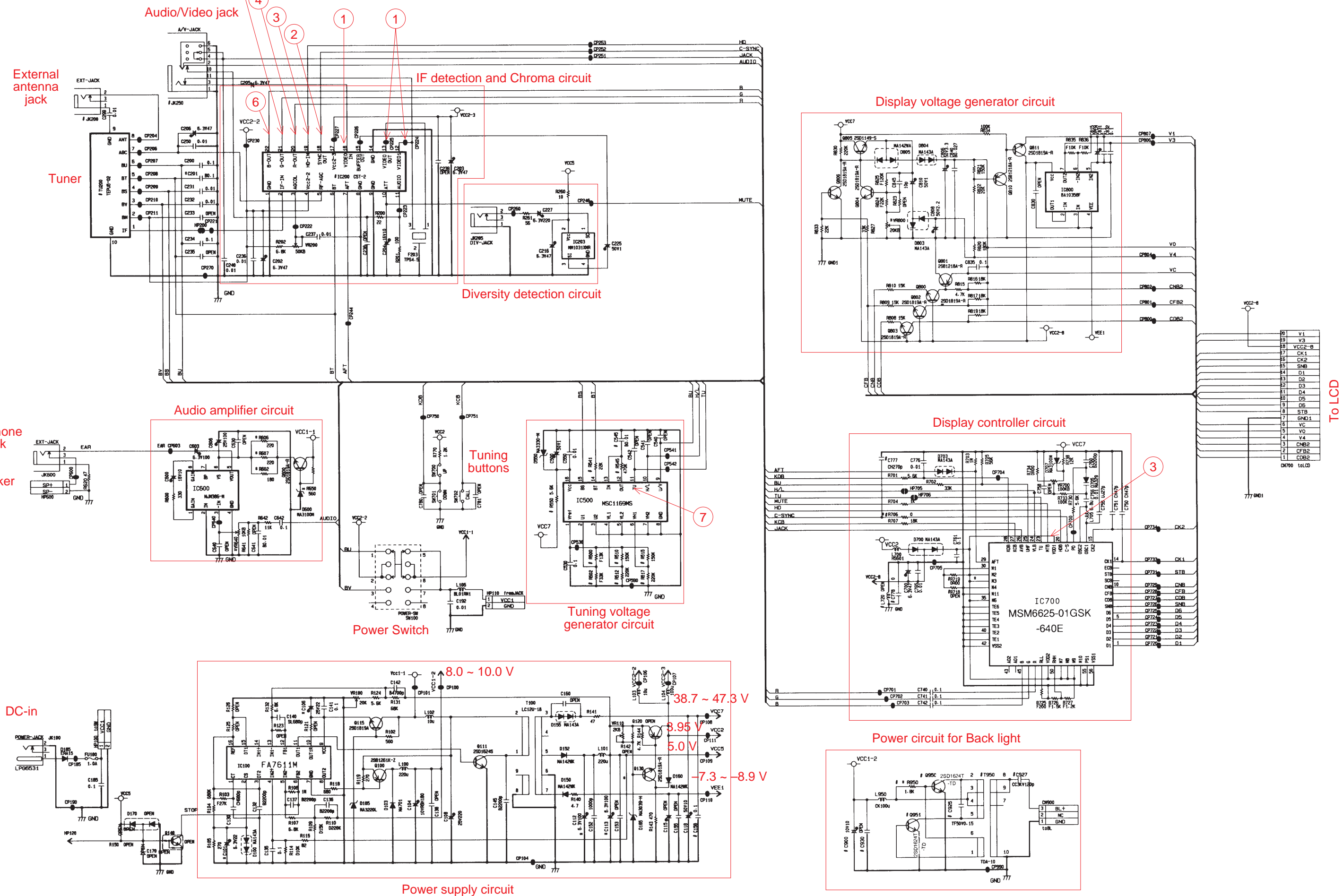
2SD1624



Others

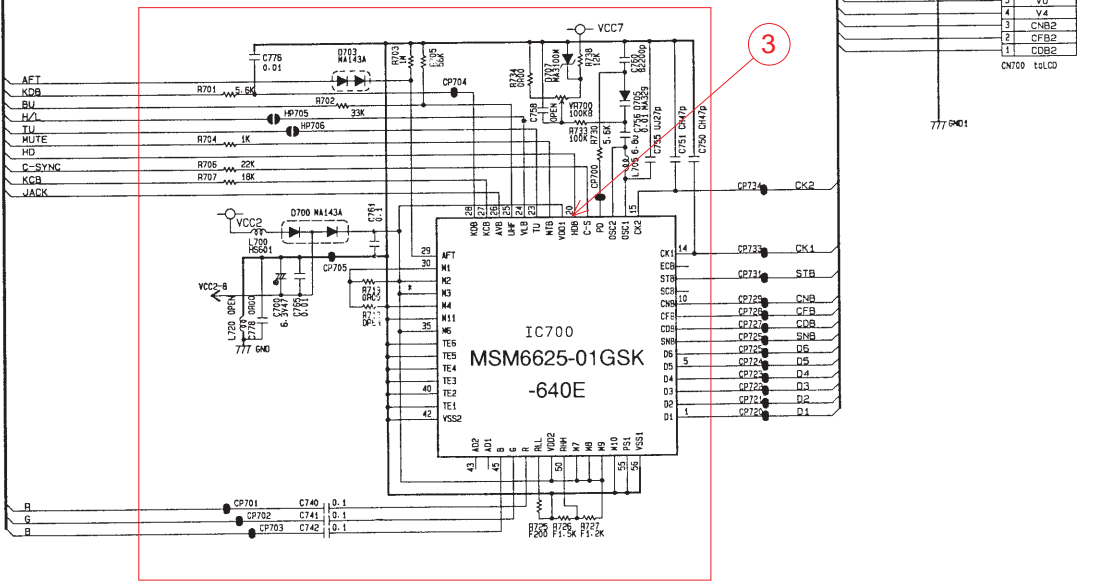
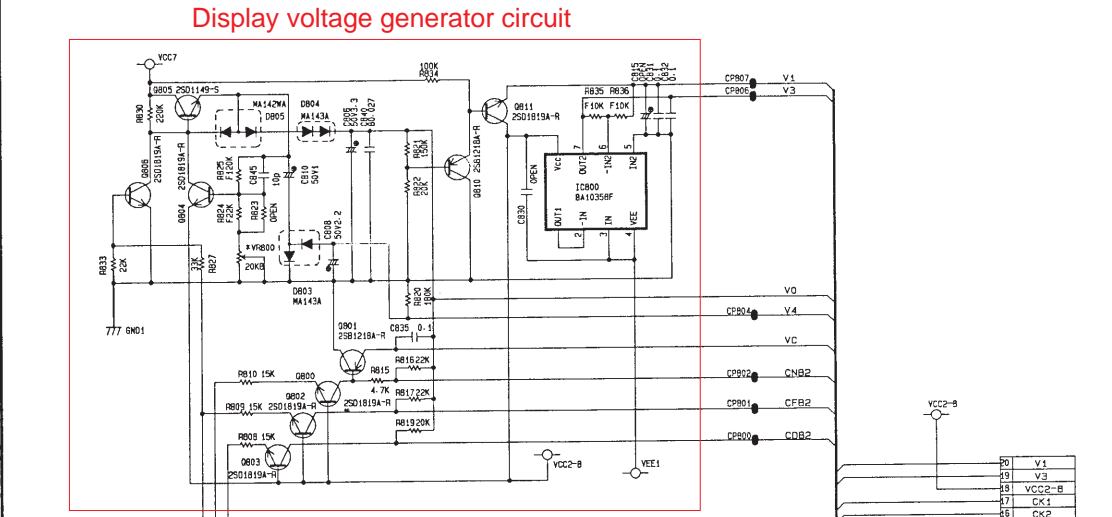
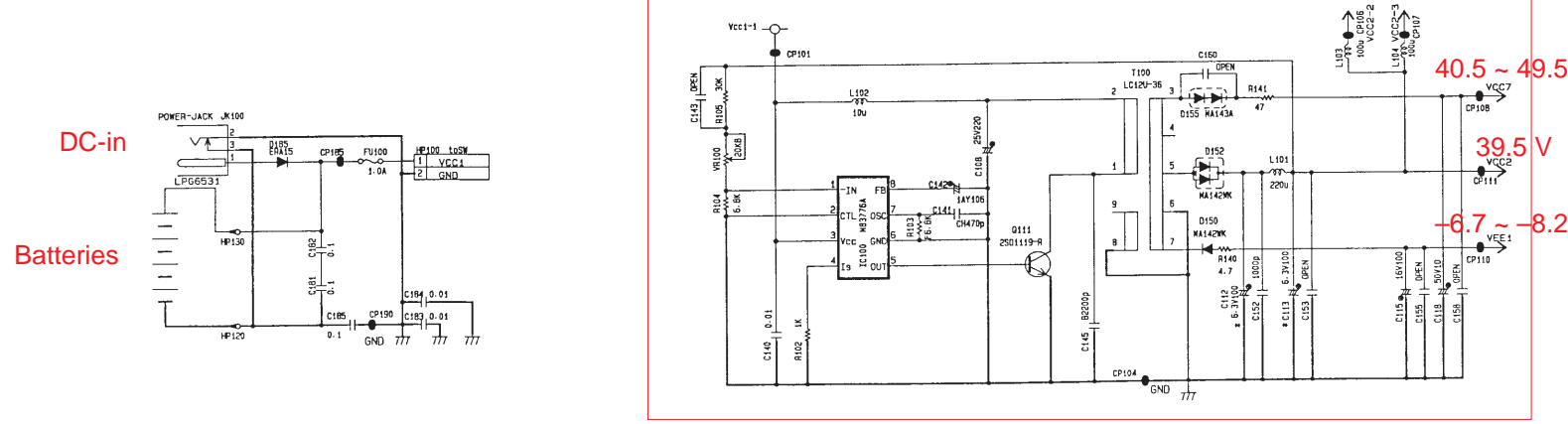
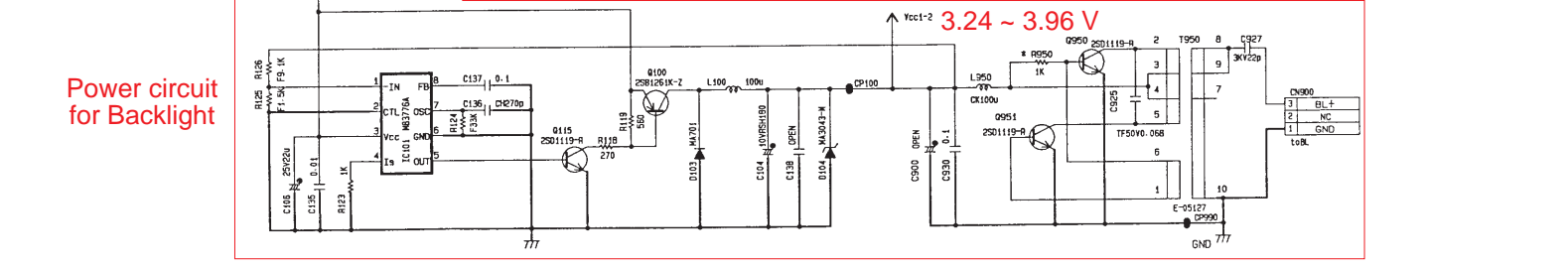
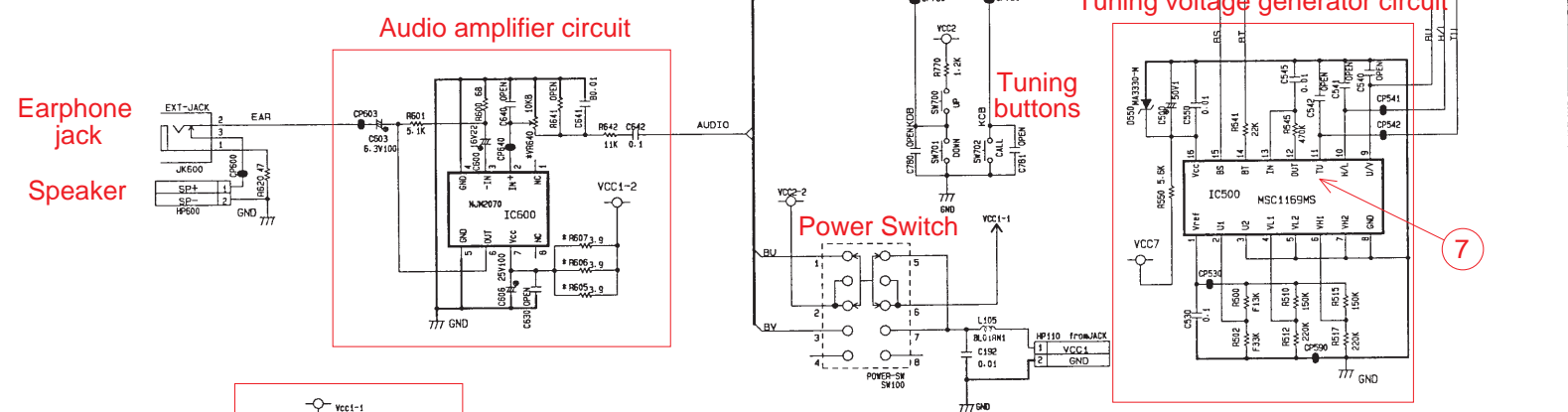
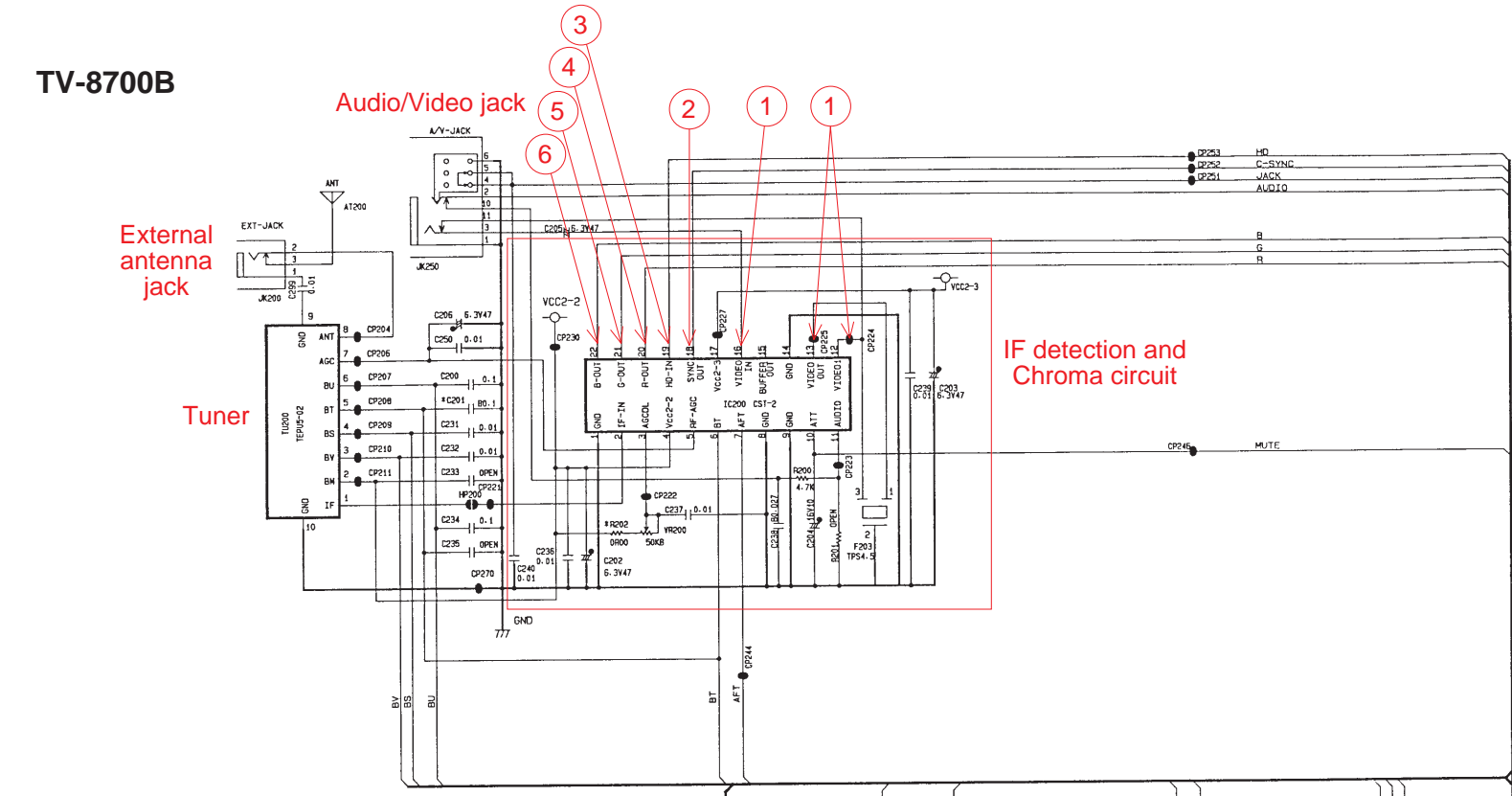
SCHEMATIC DIAGRAMS

TV-M420B



To LCD

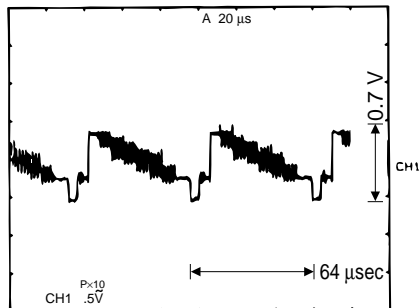
TV-8700B



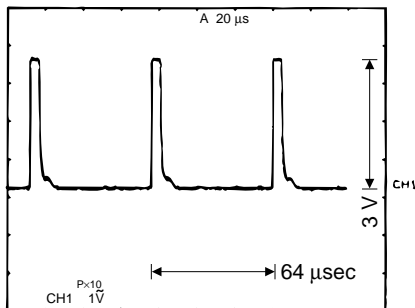
To LCD

10	V1
19	V3
18	VCC2-B
17	CK1
16	CK2
15	SNB
14	D1
13	D2
12	D3
11	D4
10	D5
9	D6
8	STB
7	GND1
16	VC
5	VD
4	V4
3	CNB2
2	CFB2
1	CDB2
NT00	TLCD

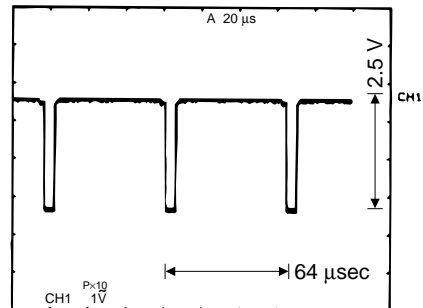
WAVEFORMS



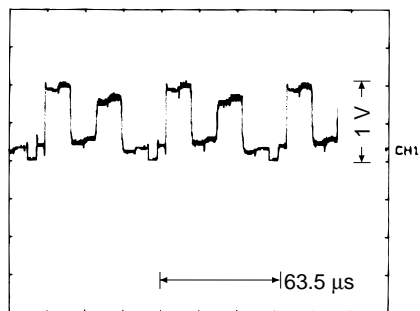
① IC200 Pin 12, 13, 16



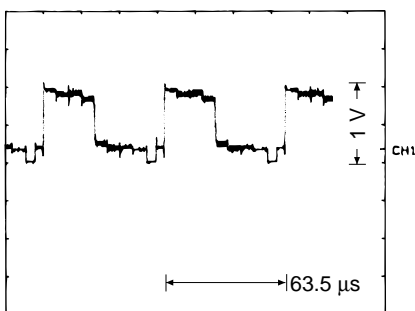
② IC200 Pin 18



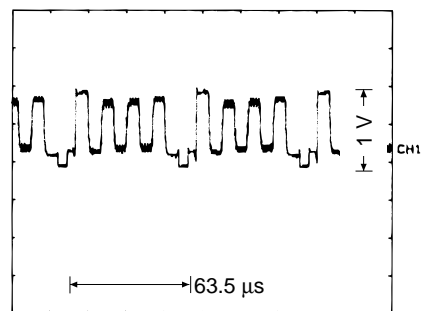
③ IC200 Pin 19
IC700 Pin 20



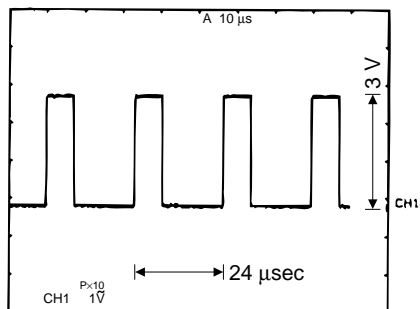
④ IC200 Pin 20



⑤ IC200 Pin 21



⑥ IC200 Pin 22



⑦ IC500 Pin 11

CASIO COMPUTER CO.,LTD.
Service Division

8-11-10, Nishi-Shinjuku
Shinjuku-ku, Tokyo 160, Japan
Telephone: 03-3347-4926