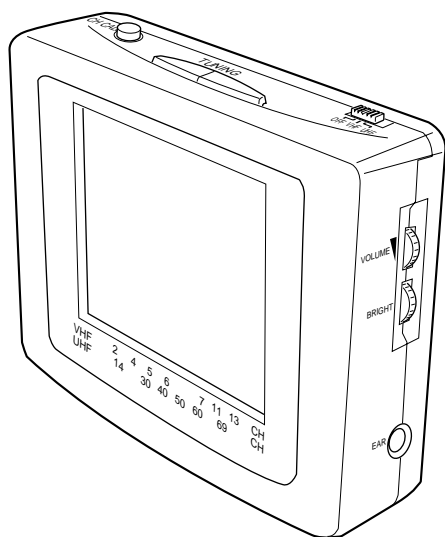


SERVICE MANUAL & PARTS LIST (without price)

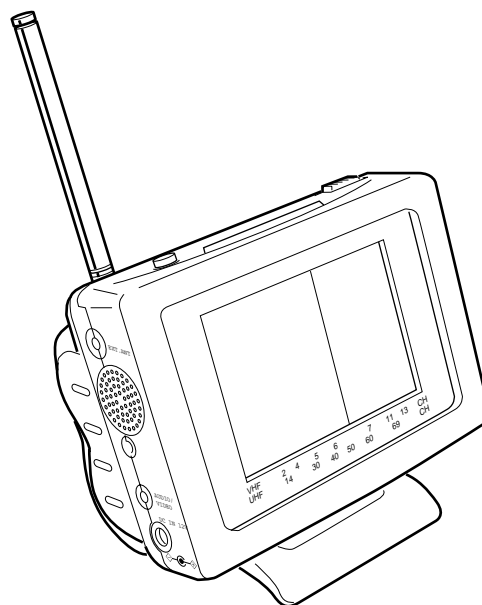
TV-M420S (KX-504S)

TV-8700S (KX-514S)

FEB. 1996



TV-M420S



TV-8700S

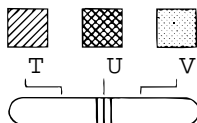
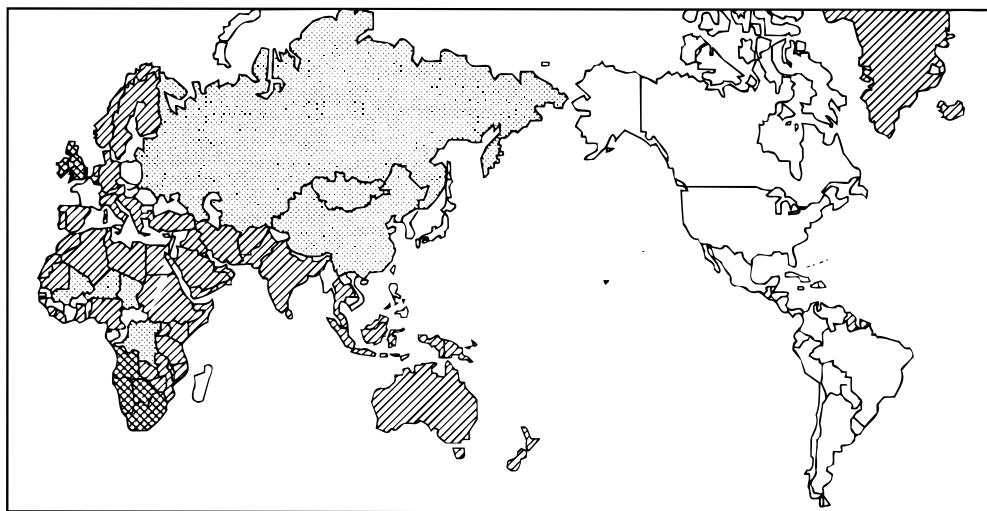
CASIO®

CONTENTS

SPECIFICATIONS	1
BLOCK DIAGRAM	2
PRINTED CIRCUIT BOARDS	3
EXPLODED VIEW	7
ELECTRICAL PARTS LIST.....	9
MECHANICAL PARTS LIST	17
IC AND TRANSISTOR LEAD IDENTIFICATION	19
SCHEMATIC DIAGRAMS	21
WAVEFORMS.....	23

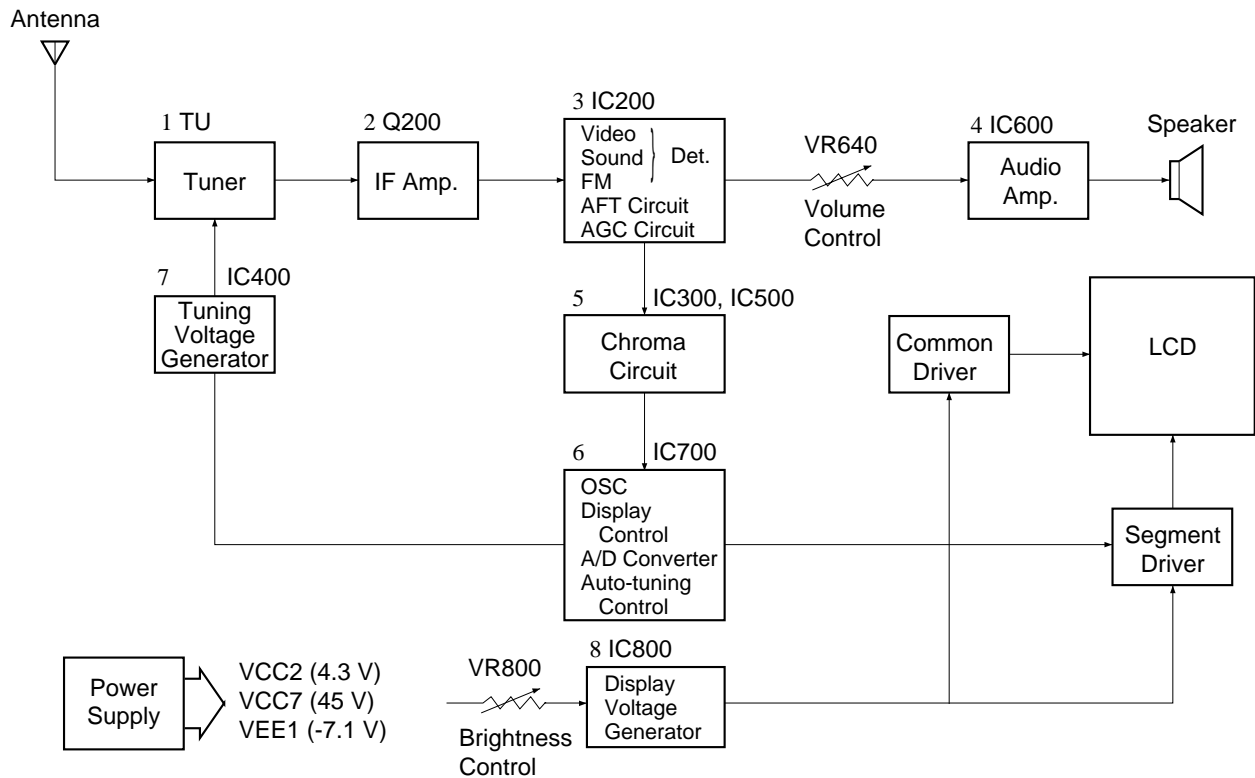
SPECIFICATIONS

Item	Specification
1. Reception channels	VHF: 1 ~ 12 ch UHF: 13 ~ 69 ch
2. Power voltage	DC 12.0 V
3. Power consumption	TV-M420S: Approx. 6.7 W TV-8700S: Approx. 6.1 W
4. Current consumption	TV-M420S: Approx. 558 mA TV-8700S: Approx. 508 mA
5. Battery life (with alkaline batteries)	Approx. 8.0 hours (TV-8700S only)
6. Power supply	Batteries : 4 x LR20 (D) size batteries (TV-8700S only) Car adaptor : CA-K1200 AC adaptor : AD-K1200
7. Connection terminals	Earphone jack : 3.5 ϕ mini External power jack : 12.0 V DC IN External antenna jack : 3.5 ϕ mini Audio/Video jack : 3.5 ϕ mini Diversity jack : 3.5 ϕ mini (TV-M420S only)
8. Screen size	4 inches
9. No. of picture element	153,360 (213 x 720) dots
10. Dimensions	TV-M420S : 104 mm (H) x 142 mm (W) x 41 mm (D) TV-8700S : 104 mm (H) x 142 mm (W) x 74 mm (D)
11. Weight	TV-M420S : 354 g excluding batteries TV-8700S : 445 g excluding batteries
12. Options	AC adaptor : AD-K1200 Car adaptor : CA-K1200 RF connector : CF-13 Antenna matching device : AS-35S



Areas whose signals this TV cannot receive.

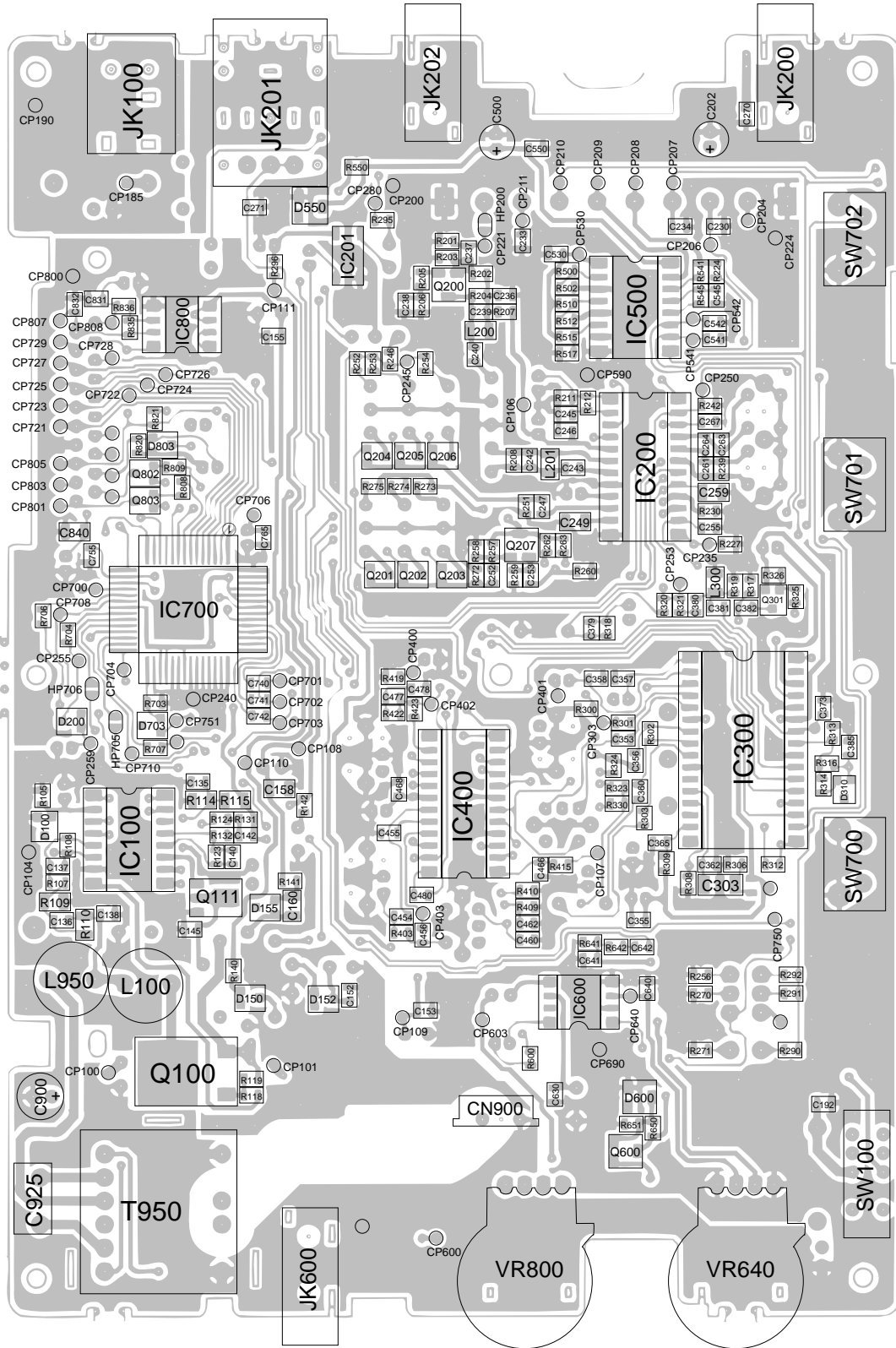
BLOCK DIAGRAM



- ① — Tuner TU TEPM5-01
Selects a desired radio wave, and changes it to the video IF signal.
- ② — Video IF Amp. Q200 2SC4238
Amplifies the video IF signal output from the tuner TU by 10 times (20 dB).
- ③ — Video, Sound, FM Det., AGC IC200 M51348FP
Eliminates the carrier wave in the video IF signal, and picks up the video signal and the sound IF signal. Also the sound signal is picked up from the sound IF signal by FM detection.
- ④ — Audio Amp. IC600 NJM386 (TV-M420S), NJM2070 (TV-M8700S)
Sound amplification.
- ⑤ — Chroma Circuit IC300 M51403FP, IC500 M51404AFP
Generates the tricolor of red, green and blue from the video signal.
- ⑥ — OSC, A/D Converter, Display / Auto-tuning Control : IC700 MSM6625-01 GSK-640E
Converts the color signal into digital signal.
Also generates the clock pulse for the display, and controls the display.
- ⑦ — Tuning Voltage Generator IC400 MSC1169MS-K
Generates the tuning voltage from the tuning pulse (TU) output of ⑥.
- ⑧ — Display Voltage Generator IC800 BA10358F
Generates the display voltages V0 ~ V4 from VEE1 and VCC7 outputs of the power supply.

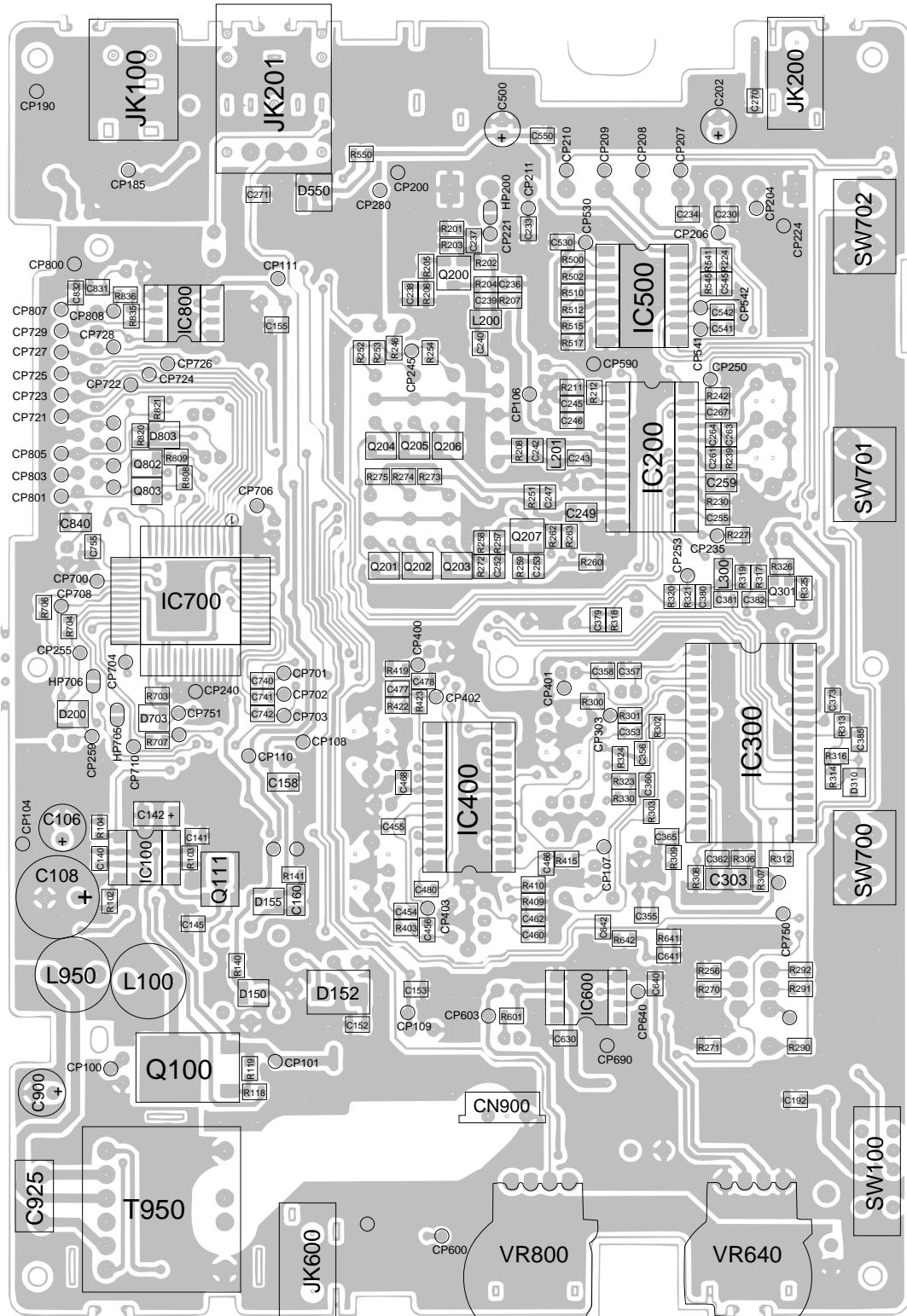
PRINTED CIRCUIT BOARDS

TV-M420S



Top View

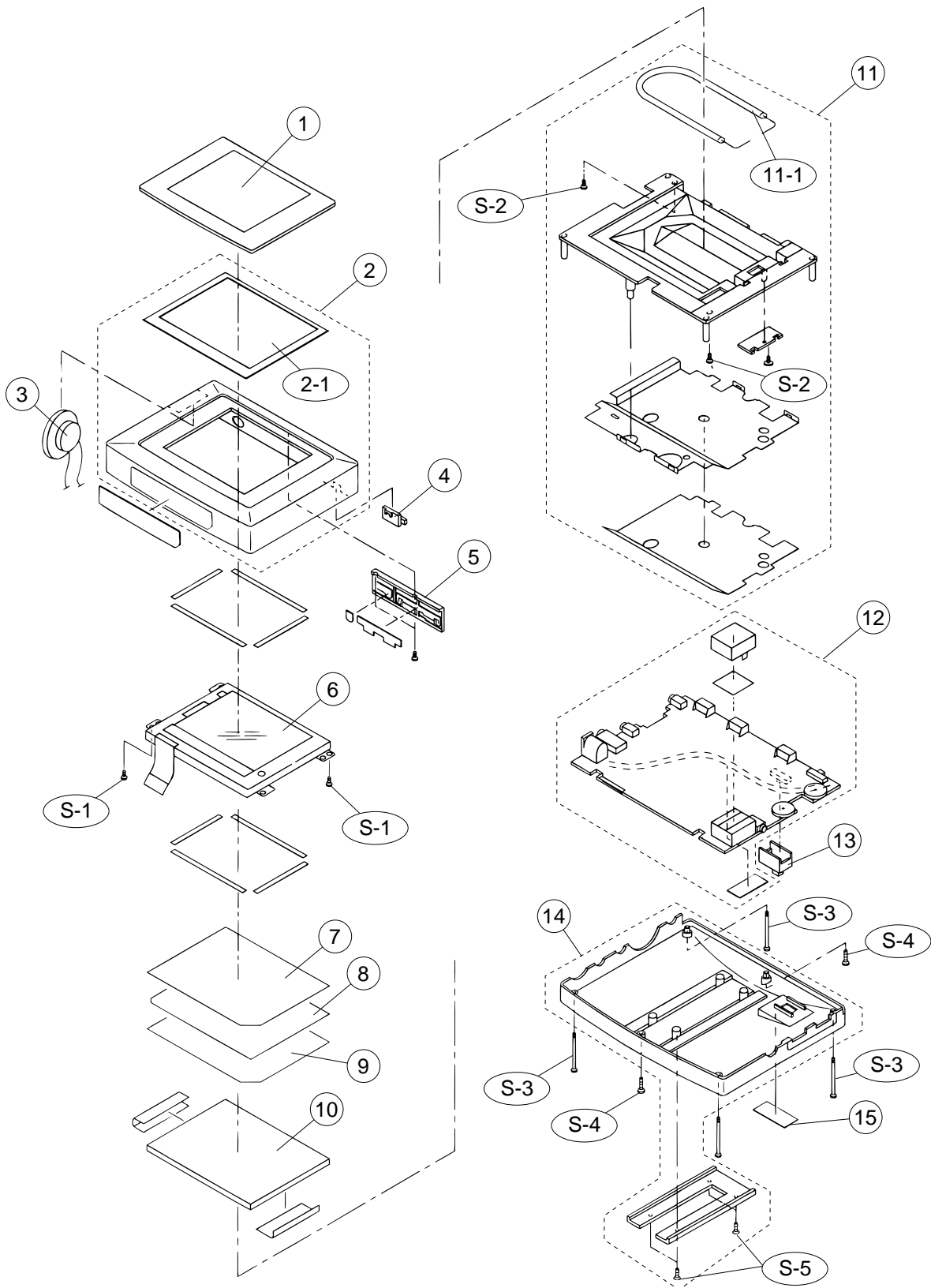
TV-8700S



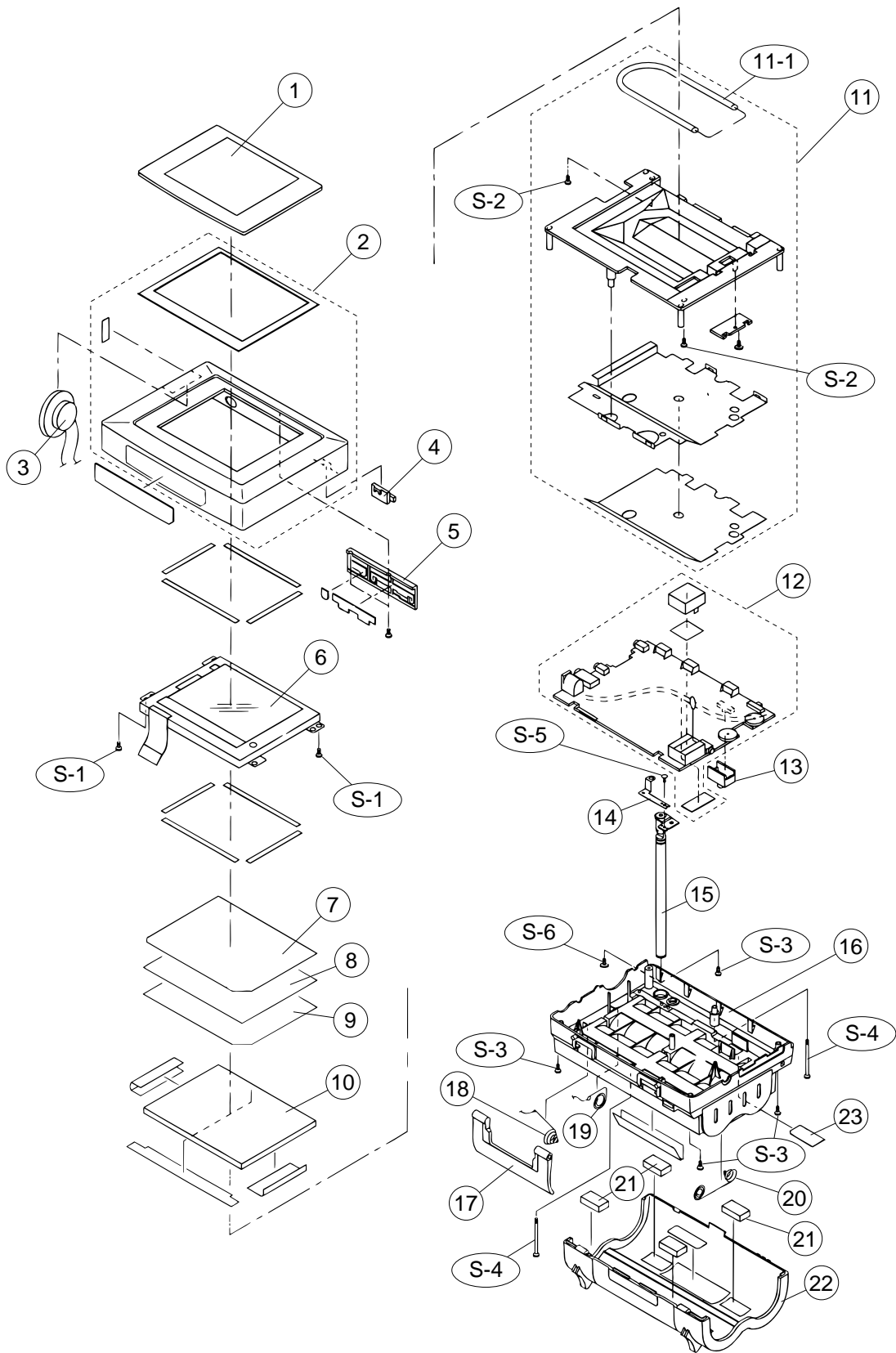
Top View

EXPLODED VIEW

TV-M420S



TV-8700S



ELECTRICAL PARTS LIST

For TV-M420S

N	Item	Code No.	Parts Name	Specification	Q	R
Diodes						
N	D100	2390 1470	Chip diode	MA143A-(TX)	1	C
	D103	2315 0204	Chip schottky diode	MA701-(TX)	1	C
	D105	2360 2457	Chip zener diode	MA3220-L(TX)	1	C
	D150	2390 1183	Chip diode	MA142WK-(TX)	1	C
	D152	2390 1183	Chip diode	MA142WK-(TX)	1	C
	D153	2390 1183	Chip diode	MA142WK-(TX)	1	C
	D155	2390 1470	Chip diode	MA143A-(TX)	1	C
	D158	2315 0123	Chip zener diode	MA3051-M(TX)	1	C
	D185	2390 1190	Chip diode	ERA15-01Y	1	C
	D200	2390 1183	Chip diode	MA142WK-(TX)	1	C
	D310	2390 1470	Chip diode	MA143A-(TX)	1	C
	D550	2360 2800	Chip zener diode	MA3300-M(TX)	1	C
	D600	2360 0854	Chip zener diode	MA3100-M(TX)	1	C
	D700	2390 1470	Chip diode	MA143A-(TX)	1	C
	D703	2390 1470	Chip diode	MA143A-(TX)	1	C
	D705	2390 1358	Variable diode	MA329-(TX)	1	C
	D707	2360 0854	Chip zener diode	MA3100-M(TX)	1	C
	D803	2390 1470	Chip diode	MA143A-(TX)	1	C
D804	2390 1470	Chip diode	MA143A-(TX)	1	C	
D805	2390 1477	Chip diode	MA142WA-(TX)	1	C	
Delay line						
	DL400	2259 2436	Delay line	ADL-CP1347Z	1	C
Fuse						
	FU100	3632 0469	Fuse	PI-251001(F10)	1	B
ICs						
	IC100	2114 2660	Linear IC	FA7611M-TE1	1	C
	IC200	2114 1827	Linear IC	M51348FP-T1	1	C
	IC201	2114 2093	Linear IC	MM1031XMR	1	C
	IC300	2114 2583	Linear IC	M51403FP-T1	1	C
	IC400	2114 2590	Linear IC	M51404AFP-T1	1	C
	IC500	2114 2842	Linear IC	MSC1169MS-KR1-620	1	C
	IC600	2114 1750	Linear IC	NJM386-M-T1	1	C
	IC700	2011 2695	LSI	M5M6625-01GSK-640E	1	C
	IC800	2116 0119	OP AMP	BA10358F-T1	1	C
Jacks						
	JK100	3501 6734	Jack	LGP6531-0440	1	C
	JK200	3501 5439	Jack	HSJ1456-01-210	1	C
	JK201	3501 3773	Jack	HSJ6063-01-410	1	C
	JK202	3501 5439	Jack	HSJ1456-01-210	1	C
	JK600	3501 5439	Jack	HSJ1456-01-210	1	C
Transistors						
N	Q100	2251 0833	Transistor	2SB1261K-Z	1	B
	Q111	2250 1260	Chip transistor	2SD1624S-TD	1	B
	Q115	2253 0133	Chip transistor	2SD1819A-R(TX)	1	B
	Q200	2252 0707	Chip transistor	2SC4238-(TX)	1	B
	Q201	2259 1540	Digital transistor	DTC144EU-T106	1	B
	Q202	2259 1540	Digital transistor	DTC144EU-T106	1	B
	Q203	2259 1540	Digital transistor	DTC144EU-T106	1	B
	Q204	2259 1540	Digital transistor	DTC144EU-T106	1	B
	Q205	2259 1540	Digital transistor	DTC144EU-T106	1	B
	Q206	2259 1540	Digital transistor	DTC144EU-T106	1	B

Notes: N – New parts
 Q – Quantity used per unit
 R – Rank

For TV-M420S

N	Item	Code No.	Parts Name	Specification	Q	R
	Q207	2252 0707	Chip transistor	2SC4238-(TX)	1	B
	Q208	2252 0707	Chip transistor	2SC4238-(TX)	1	B
	Q210	2253 0133	Chip transistor	2SD1819A-R(TX)	1	B
	Q400	2253 0133	Chip transistor	2SD1819A-R(TX)	1	B
	Q401	2253 0133	Chip transistor	2SD1819A-R(TX)	1	B
	Q600	2252 0588	Chip transistor	2SC2412K-T146R	1	B
	Q800	2253 0133	Chip transistor	2SD1819A-R(TX)	1	B
	Q801	2251 0189	Chip transistor	2SB1218A-R(TX)	1	B
	Q802	2253 0133	Chip transistor	2SD1819A-R(TX)	1	B
	Q803	2253 0133	Chip transistor	2SD1819A-R(TX)	1	B
	Q804	2253 0133	Chip transistor	2SD1819A-R(TX)	1	B
	Q805	2253 0476	Chip transistor	2SD1149-S(TX)	1	B
	Q806	2253 0133	Chip transistor	2SD1819A-R(TX)	1	B
	Q811	2253 0133	Chip transistor	2SD1819A-R(TX)	1	B
	Q950	2253 0308	Chip transistor	2SD1119-R(TX)	1	B
	Q951	2253 0308	Chip transistor	2SD1119-R(TX)	1	B
Switches						
	SW100	3412 0798	Slide switch	ESD-11H231	1	C
	SW200	3412 0938	Slide switch	ESD-11V231	1	C
	SW700	3412 0469	Switch	SKHHLN	1	C
	SW701	3412 0469	Switch	SKHHLN	1	C
	SW702	3412 0469	Switch	SKHHLN	1	C
Coils and Converter						
	T100	3065 0637	DC-DC converter	LC12U-37	1	B
Transformer						
	T950	3012 1358	Inverter trans	E-12116-CI01	1	B
Tuner						
	TU200	1013 6421	Tuner	TEPM5-01	1	C
Variable resistors						
	VR640	2765 0616	Volume	RK09H11T-10KB	1	C
	VR800	2765 0623	Volume	RK09H11T-20KB	1	C

Notes: N – New parts
 Q – Quantity used per unit
 R – Rank

The following electrical parts will be not supplied from CASIO. (For TV-M420S)

C101	6.3RC2-22	C269	GR39Y5V103Z50PT	C742	GR39Y5V104Z25PT
C104	10RSH-180S31-G9	C270	GR39Y5V103Z50PT	C750	GR39CH470J50PT
C106	25RC2-22MS	C271	GR39Y5V103Z50PT	C751	GR39CH470J50PT
C108	25RE2-220-G10	C300	50RC2-3R3	C755	GR39UJ270J50PT
C112	6.3RC2S-100	C301	50RC2-3R3	C756	GR39Y5V103Z50PT
C113	6.3RC2S-100	C303	ECST1CY155R	C760	GR39W5R222K50PT
C114	16RC2-100MS	C304	50RC2-R47	C761	GR39Y5V104Z25PT
C115	16RC2-100MS	C305	50RC2-R47	C765	GR39Y5V103Z50PT
C118	50RC2-10MS	C306	50RC2-R47	C776	GR39Y5V103Z50PT
C130	GR40CH681J50PT	C310	6.3RC2-47MS	C777	ERJ-3GEY0R00V
C132	GR39W5R222K50PT	C351	GR39Y5V103Z50PT	C806	50RC2-3R3
C135	GR39Y5V104Z25PT	C353	GR39Y5V103Z50PT	C808	50RC2-2R2
C136	GR39W5R222K50PT	C355	GR39Y5V103Z50PT	C810	50RC2-1
C137	GR39W5R222K50PT	C356	GR39CH820J50PT	C831	GR39Y5V104Z25PT
C140	GR39W5R222K50PT	C360	GR39CH270J50PT	C832	GR39Y5V104Z25PT
C141	GR39Y5V104Z25PT	C361	GR39CH150J50PT	C835	GR39Y5V104Z25PT
C142	GR39W5R472K50PT	C362	GR39W5R102K50PT	C840	GR40W5R273K50PT
C145	GR39W5R222K50PT	C365	GR39CH101J50PT	C845	GR39CH100D50PT
C152	GR39W5R102K50PT	C373	GR39CH150J50PT	C925	ECQ-V1H154JL
C154	GR39Y5V103Z50PT	C375	GR39CH221J50PT	C927	ECCT3F220JG
C158	GR40Y5V104Z50PT	C379	GR39CH221J50PT	C930	GR39Y5V104Z25PT
C185	GR39Y5V104Z25PT	C380	GR39CH270J50PT	F200	SAF38.9MZC60Z
C192	GR39Y5V103Z50PT	C381	GR39CH270J50PT	F201	CDSL5.5MC30B12
C202	6.3RC2-47MS	C382	GR39Y5V104Z25PT	F202	CDSL6.0MC30B12
C205	50RC2-2R2	C385	GR39Y5V103Z50PT	F203	CDSL6.5MC30B12
C207	6.3RC2-47MS	C400	50RC2-R47	F204	SFSL5.5MDB12
C208	6.3RC2-47MS	C410	6.3RC2-47MS	F205	SFSL6.0MDB12
C210	50RC2-2R2	C450	GR39CH470J50PT	F206	SFSL6.5MDB12
C213	ECST1EY474R	C451	GR39CH560J50PT	F207	TPT01B
C214	6.3RC2BP-47	C454	GR39Y5V103Z50PT	F300	TPS4.43MJ
C220	6.3RC2-220MS	C455	GR39Y5V103Z50PT	H300	NR-18C
C221	6.3RC2-47MS	C456	GR39Y5V103Z50PT	L100	RCH895-221K
C223	50RC2-1	C457	GR39Y5V103Z50PT	L101	NLC453232-101K-TP
C232	GR39Y5V103Z50PT	C460	GR39Y5V103Z50PT	L102	NLC453232-100K-TP
C233	GR39Y5V103Z50PT	C461	GR39CH101J50PT	L103	LEM4532-101J-TP
C234	GR39Y5V104Z25PT	C462	GR39CH391J50PT	L104	LEM4532-101J-TP
C235	UMK316B104K-T	C466	GR39CH101J50PT	L105	BL01RN1-A62B1
C236	GR39Y5V103Z50PT	C467	GR39Y5V103Z50PT	L200	MLF2012DR82K-TP
C237	GR39Y5V103Z50PT	C468	GR39Y5V103Z50PT	L201	MLF2012A3R3K-TP
C238	GR39Y5V103Z50PT	C470	GR39CH560J50PT	L202	MLF2012E5R6K-TP
C239	GR39CH150J50PT	C471	GR39CH390J50PT	L300	MLF2012C220K-TP
C240	GR39Y5V103Z50PT	C476	GR39CH101J50PT	L400	MLF2012C150K-TP
C243	GR39Y5V103Z50PT	C478	GR39W5R102K50PT	L700	ERJ-6GEY0R00V
C245	GR39W5R103K50PT	C480	GR39Y5V103Z50PT	L705	LEM3225-6R8J-TP
C246	GR39Y5V103Z50PT	C481	GR39Y5V103Z50PT	L950	RCH-875-101K
C247	GR39Y5V103Z50PT	C485	GR39Y5V103Z50PT	R102	ERJ-3GEYJ561V
C249	GR40Y5V474Z16PT	C500	50RC2-1	R103	ERJ-3GEYF273V
C250	GR39W5R182K50PT	C530	GR39Y5V104Z25PT	R104	ERJ-3GEYJ684V
C252	GR39CH270J50PT	C545	GR39W5R103K50PT	R105	ERJ-3GEYJ184V
C253	GR39Y5V104Z25PT	C550	GR39Y5V103Z50PT	R107	ERJ-3GEYJ682V
C254	GR39Y5V103Z50PT	C600	16RC2-10	R108	ERJ-3GEYJ105V
C257	GR39CH270J50PT	C603	6.3RC2-100MS	R109	ERA-6YED133V
C259	GR40W5R332K50PT	C606	25RC2-100MS	R110	ERA-6YKD224V
C261	GR39PH560J50PT	C641	GR39W5R103K50PT	R114	ERA-6YED103V
C262	GR39Y5V103Z50PT	C642	GR39Y5V104Z25PT	R115	ERA-6YED753V
C263	GR39PH560J50PT	C700	6.3RC2-47MS	R118	ERJ-3GEYJ681V
C264	GR39CK0R5C50PT	C740	GR39Y5V104Z25PT	R119	ERJ-3GEYJ271V
C267	GR39W5R152K50PT	C741	GR39Y5V104Z25PT	R121	ERJ-3GEYJ561V

The following electrical parts will be not supplied from CASIO. (For TV-M420S)

R123	ERJ-3GEYJ105V	R291	ERJ-3GEYJ823V	R701	ERJ-3GEYJ562V
R124	ERJ-3GEYJ682V	R292	ERJ-3GEYJ822V	R702	ERJ-3GEYJ333V
R125	ERJ-3GEYJ124V	R295	ERJ-3GEYJ560V	R703	ERJ-3GEYJ105V
R126	ERJ-3GEYJ393V	R296	ERJ-3GEYJ100V	R704	ERJ-3GEYJ102V
R131	ERJ-3GEYJ683V	R300	ERJ-3GEYJ102V	R705	ERJ-3GEYJ563V
R132	ERJ-3GEYJ682V	R301	ERJ-3GEY0R00V	R706	ERJ-3GEYJ223V
R140	ERJ-3GEYJ4R7V	R302	ERJ-3GEYJ391V	R707	ERJ-3GEYJ183V
R141	ERJ-3GEYJ470V	R303	ERJ-3GEYJ152V	R725	ERJ-3GEYF201V
R142	ERJ-3GEYJ201V	R306	ERJ-3GEYJ682V	R726	ERJ-3GEYF122V
R201	ERJ-3GEYJ820V	R307	ERJ-3GEYJ682V	R727	ERJ-3GEYF122V
R202	ERJ-3GEYJ392V	R308	ERJ-3GEYJ224V	R730	ERJ-3GEYJ562V
R203	ERJ-3GEYJ332V	R309	ERJ-3GEYJ393V	R733	ERJ-3GEYJ104V
R204	ERJ-3GEYJ681V	R312	ERJ-3GEYJ153V	R734	ERJ-3GEY0R00V
R205	ERJ-3GEYJ5R6V	R313	ERJ-3GEYJ333V	R738	ERJ-3GEYJ123V
R206	ERJ-3GEYJ151V	R314	ERJ-3GEYJ103V	R750	ERJ-8GEY0R00V
R207	ERJ-3GEYJ151V	R317	ERJ-3GEYJ681V	R770	ERJ-3GEYJ122V
R208	ERJ-3GEYJ242V	R318	ERJ-3GEYJ152V	R808	ERJ-3GEYJ163V
R209	ERJ-3GEYJ103V	R320	ERJ-3GEYJ391V	R809	ERJ-3GEYJ163V
R210	ERJ-3GEYJ472V	R321	ERJ-3GEYJ101V	R810	ERJ-3GEYJ163V
R211	ERJ-3GEYJ104V	R323	ERJ-3GEY0R00V	R815	ERJ-3GEYJ102V
R212	ERJ-3GEYJ222V	R324	ERJ-3GEYJ103V	R816	ERJ-3GEYJ223V
R213	ERJ-3GEYJ563V	R325	ERJ-3GEYJ273V	R817	ERJ-3GEYJ223V
R222	ERJ-3GEYJ470V	R326	ERJ-3GEYJ103V	R819	ERJ-3GEYJ203V
R223	ERJ-3GEYJ154V	R330	ERJ-3GEYJ333V	R820	ERJ-3GEYJ184V
R224	ERJ-3GEYJ225V	R400	ERJ-3GEYJ681V	R821	ERJ-3GEYJ154V
R225	ERJ-3GEYJ303V	R402	ERJ-3GEYJ103V	R822	ERJ-3GEYJ203V
R227	ERJ-3GEYJ682V	R403	ERJ-3GEYJ122V	R824	ERJ-3GEYF223V
R230	ERJ-3GEYJ182V	R406	ERJ-3GEYJ221V	R825	ERJ-3GEYF124V
R236	ERJ-3GEYJ154V	R407	ERJ-3GEYJ103V	R827	ERJ-3GEYJ333V
R239	ERJ-3GEYJ392V	R408	ERJ-3GEYJ473V	R830	ERJ-3GEYJ224V
R241	ERJ-3GEYJ104V	R409	ERJ-3GEYJ102V	R833	ERJ-3GEYJ223V
R242	ERJ-3GEYJ223V	R410	ERJ-3GEYJ273V	R834	ERJ-3GEYJ104V
R246	ERJ-3GEYJ121V	R411	ERJ-3GEYJ223V	R835	ERJ-3GEYF103V
R247	ERJ-3GEYJ122V	R415	ERJ-3GEYJ683V	R836	ERJ-3GEYF103V
R251	ERJ-3GEYJ511V	R418	ERJ-3GEYJ681V	R950	ERJ-8GEYJ182V
R252	ERJ-3GEYJ561V	R420	ERJ-3GEYJ122V	T200	5KAC-03A
R253	ERJ-3GEYJ471V	R421	ERJ-3GEYJ561V	T201	5KAC-03A
R254	ERJ-3GEYJ471V	R422	ERJ-3GEYJ561V	T400	P5BF-01
R256	ERJ-3GEYJ104V	R423	ERJ-3GEYJ122V	T401	P5ID-01
R257	ERJ-3GEYJ273V	R428	ERJ-3GEYJ561V	T402	5PRD-01
R258	ERJ-3GEYJ273V	R429	ERJ-3GEYJ561V	T403	5PBD-01
R259	ERJ-3GEYJ561V	R500	ERJ-3GEYJ473V	T404	P5DM-01
R260	ERJ-3GEYJ681V	R502	ERJ-3GEYJ224V	VR100	POZ3AN-1-502N-T00
R261	ERJ-3GEYJ123V	R510	ERJ-3GEYJ134V	VR200	POZ3AN-1-503N-T00
R262	ERJ-3GEYJ223V	R512	ERJ-3GEYJ224V	VR300	POZ3AN-1-203N-T00
R263	ERJ-3GEYJ391V	R515	ERJ-3GEYJ134V	VR301	POZ3AN-1-503N-T00
R270	ERJ-3GEYJ104V	R517	ERJ-3GEYJ224V	VR400	POZ3AN-1-103N-T00
R271	ERJ-3GEYJ104V	R541	ERJ-3GEYJ223V	VR700	POZ3AN-1-104N-T00
R272	ERJ-3GEYJ471V	R545	ERJ-3GEYJ474V		
R273	ERJ-3GEYJ151V	R550	ERJ-3GEYJ562V		
R274	ERJ-3GEYJ271V	R600	ERJ-3GEYJ131V		
R275	ERJ-3GEYJ271V	R602	ERJ-8GEYJ271V		
R280	ERJ-3GEYJ103V	R606	ERJ-8GEYJ221V		
R281	ERJ-3GEYJ563V	R607	ERJ-8GEYJ221V		
R282	ERJ-3GEYJ681V	R608	ERJ-8GEYJ271V		
R283	ERJ-3GEYJ683V	R620	ERJ-3GEYJ470V		
R284	ERJ-3GEYJ331V	R642	ERJ-3GEYJ113V		
R290	ERJ-3GEYJ913V	R650	ERJ-3GEYJ561V		

For TV-8700S

N	Item	Code No.	Parts Name	Specification	Q	R
Diodes						
	D150	2390 1183	Chip diode	MA142WK-(TX)	1	C
	D152	2315 0204	Chip schottky diode	MA701-(TX)	1	C
	D155	2390 1470	Chip diode	MA143A-(TX)	1	C
	D185	2390 1190	Chip diode	ERA15-01Y	1	C
	D200	2390 1183	Chip diode	MA142WK-(TX)	1	C
	D310	2390 1470	Chip diode	MA143A-(TX)	1	C
	D550	2360 2800	Chip zener diode	MA3300-M(TX)	1	C
	D700	2390 1470	Chip diode	MA143A-(TX)	1	C
	D703	2390 1470	Chip diode	MA143A-(TX)	1	C
	D705	2390 1358	Variable diode	MA329-(TX)	1	C
	D707	2360 0854	Chip zener diode	MA3100-M(TX)	1	C
	D803	2390 1470	Chip diode	MA143A-(TX)	1	C
	D804	2390 1470	Chip diode	MA143A-(TX)	1	C
	D805	2390 1477	Chip diode	MA142WA-(TX)	1	C
Delay line						
	DL400	2259 2436	Delay line	ADL-CP1347Z	1	C
Fuse						
	FU100	3632 0469	Fuse	PI-251001(F10)	1	B
ICs						
	IC200	2114 1827	Linear IC	M51348FP-T1	1	C
	IC300	2114 2583	Linear IC	M51403FP-T1	1	C
	IC400	2114 2590	Linear IC	M51404AFP-T1	1	C
	IC800	2116 0119	OP AMP	BA10358F-T1	1	C
	IC600	2114 2464	Linear IC	NJM2070M-T1	1	C
	IC700	2011 2695	LSI	MSM6625-01GSK-640E	1	C
	IC100	2114 3150	IC	MB3776APNF-EF	1	C
	IC101	2114 3150	IC	MB3776APNF-EF	1	C
	IC500	2114 2842	Linear IC	MSC1169MS-KR1-620	1	C
Jacks						
	JK100	3501 6734	Jack	LGP6531-0440	1	C
	JK201	3501 3773	Jack	HSJ6063-01-410	1	C
	JK200	3501 5439	Jack	HSJ1456-01-210	1	C
	JK600	3501 5439	Jack	HSJ1456-01-210	1	C
Transistors						
	Q100	2251 0833	Transistor	2SB1261K-Z	1	B
	Q111	2253 0308	Chip transistor	2SD1119-R(TX)	1	B
	Q115	2253 0308	Chip transistor	2SD1119-R(TX)	1	B
	Q200	2252 0707	Chip transistor	2SC4238-(TX)	1	B
	Q201	2259 1540	Digital transistor	DTC144EU-T106	1	B
	Q202	2259 1540	Digital transistor	DTC144EU-T106	1	B
	Q203	2259 1540	Digital transistor	DTC144EU-T106	1	B
	Q204	2259 1540	Digital transistor	DTC144EU-T106	1	B
	Q205	2259 1540	Digital transistor	DTC144EU-T106	1	B
	Q206	2259 1540	Digital transistor	DTC144EU-T106	1	B
	Q207	2252 0707	Chip transistor	2SC4238-(TX)	1	B
	Q208	2252 0707	Chip transistor	2SC4238-(TX)	1	B
	Q210	2253 0133	Chip transistor	2SD1819A-R(TX)	1	B
	Q301	2251 0189	Chip transistor	2SB1218A-R(TX)	1	B
	Q400	2253 0133	Chip transistor	2SD1819A-R(TX)	1	B
	Q401	2253 0133	Chip transistor	2SD1819A-R(TX)	1	B
	Q800	2253 0133	Chip transistor	2SD1819A-R(TX)	1	B

Notes: N – New parts
Q – Quantity used per unit
R – Rank

For TV-8700S

N	Item	Code No.	Parts Name	Specification	Q	R
	Q802	2253 0133	Chip transistor	2SD1819A-R(TX)	1	B
	Q803	2253 0133	Chip transistor	2SD1819A-R(TX)	1	B
	Q804	2253 0133	Chip transistor	2SD1819A-R(TX)	1	B
	Q805	2253 0476	Chip transistor	2SD1149-S(TX)	1	B
	Q806	2253 0133	Chip transistor	2SD1819A-R(TX)	1	B
	Q811	2253 0133	Chip transistor	2SD1819A-R(TX)	1	B
	Q950	2253 0308	Chip transistor	2SD1119-R(TX)	1	B
	Q951	2253 0308	Chip transistor	2SD1119-R(TX)	1	B
Switches						
	SW100	3412 0798	Slide switch	ESD-11H231	1	C
	SW200	3412 0938	Slide switch	ESD-11V231	1	C
	SW700	3412 0469	Switch	SKHHLN	1	C
	SW701	3412 0469	Switch	SKHHLN	1	C
	SW702	3412 0469	Switch	SKHHLN	1	C
Coils and Converter						
	T100	3065 0658	DC-DC converter	LC12U-39	1	B
Transformer						
	T950	3065 0644	Inverter trans	E-05127-CI02	1	B
Tuner						
	TU200	1013 6421	Tuner	TEPM5-01	1	C
Variable resistors						
	VR640	2765 0616	Volume	RK09H11T-10KB	1	C
	VR800	2765 0623	Volume	RK09H11T-20KB	1	C

Notes: N – New parts
Q – Quantity used per unit
R – Rank

The following electrical parts will be not supplied from CASIO. (For TV-8700S)

C104	10RSH-180S31	C303	ECST1CY155R	C760	GR39W5R222K50PT
C106	25RC2-22MS	C304	50RC2-R47	C761	GR39Y5V104Z25PT
C108	25RE2-220	C305	50RC2-R47	C765	GR39Y5V103Z50PT
C112	6.3RC2S-100	C306	50RC2-R47	C776	GR39Y5V103Z50PT
C113	6.3RC2S-100	C310	6.3RC2-47MS	C777	ERJ-3GEY0R00V
C115	16RC2-100MS	C351	GR39Y5V103Z50PT	C806	50RC2-3R3
C118	50RC2-10MS	C353	GR39Y5V103Z50PT	C808	50RC2-2R2
C135	GR39Y5V103Z50PT	C355	GR39Y5V103Z50PT	C810	50RC2-1
C136	GR39CH271J50PT	C356	GR39CH820J50PT	C831	GR39Y5V104Z25PT
C137	GR39Y5V104Z25PT	C360	GR39CH270J50PT	C832	GR39Y5V104Z25PT
C140	GR39Y5V103Z50PT	C361	GR39CH150J50PT	C835	GR39Y5V104Z25PT
C141	GR39CH471J50PT	C362	GR39W5R102K50PT	C840	GR40W5R273K50PT
C142	ECST1AY106R	C365	GR39CH101J50PT	C845	GR39CH100D50PT
C145	GR39W5R222K50PT	C373	GR39CH150J50PT	C925	ECQ-V1H683JL
C152	GR39W5R102K50PT	C375	GR39CH221J50PT	C927	ECCT3F220JG
C158	GR40Y5V104Z50PT	C379	GR39CH221J50PT	C930	GR39Y5V104Z25PT
C181	GR39Y5V104Z25PT	C380	GR39CH270J50PT	F200	SAF38.9MZC60Z
C182	GR39Y5V104Z25PT	C381	GR39CH270J50PT	F201	CDSL5.5MC30B12
C183	GR39Y5V104Z25PT	C382	GR39Y5V104Z25PT	F202	CDSL6.0MC30B12
C185	GR39Y5V104Z25PT	C385	GR39Y5V103Z50PT	F203	CDSL6.5MC30B12
C192	GR39Y5V103Z50PT	C400	50RC2-R47	F204	SFSL5.5MDB12
C202	6.3RC2-47MS	C410	6.3RC2-47MS	F205	SFSL6.0MDB12
C205	50RC2-2R2	C450	GR39CH470J50PT	F206	SFSL6.5MDB12
C207	6.3RC2-47MS	C451	GR39CH560J50PT	F207	TPT01B
C208	6.3RC2-47MS	C454	GR39Y5V103Z50PT	F300	TPS4.43MJ
C210	50RC2-2R2	C455	GR39Y5V103Z50PT	H300	NR-18C
C213	ECST1EY474R	C456	GR39Y5V103Z50PT	L100	RCH-875-101K
C214	6.3RC2BP-47	C457	GR39Y5V103Z50PT	L101	NLC453232-101K-TP
C232	GR39Y5V103Z50PT	C460	GR39Y5V103Z50PT	L102	NLC453232-100K-TP
C233	GR39Y5V103Z50PT	C461	GR39CH101J50PT	L103	LEM4532-101J-TP
C234	GR39Y5V104Z25PT	C462	GR39CH391J50PT	L104	LEM4532-101J-TP
C235	UMK316B104K-T	C466	GR39CH101J50PT	L105	BL01RN1-A62B1
C236	GR39Y5V103Z50PT	C467	GR39Y5V103Z50PT	L200	MLF2012DR82K-TP
C237	GR39Y5V103Z50PT	C468	GR39Y5V103Z50PT	L201	MLF2012A3R3K-TP
C238	GR39Y5V103Z50PT	C470	GR39CH560J50PT	L202	MLF2012E5R6K-TP
C239	GR39CH150J50PT	C471	GR39CH390J50PT	L300	MLF2012C220K-TP
C240	GR39Y5V103Z50PT	C476	GR39CH101J50PT	L400	MLF2012C150K-TP
C243	GR39Y5V103Z50PT	C478	GR39W5R102K50PT	L700	ERJ-6GEY0R00V
C245	GR39W5R103K50PT	C480	GR39Y5V103Z50PT	L705	LEM3225-6R8J-TP
C246	GR39Y5V103Z50PT	C481	GR39Y5V103Z50PT	L750	LEM3225-6R8J-TP
C247	GR39Y5V103Z50PT	C485	GR39Y5V103Z50PT	L950	RCH-875-101K
C249	GR40Y5V474Z16PT	C500	50RC2-1	R102	ERJ-3GEYJ102V
C250	GR39W5R182K50PT	C530	GR39Y5V104Z25PT	R103	ERJ-3GEYF682V
C252	GR39CH270J50PT	C545	GR39W5R103K50PT	R104	ERJ-3GEYJ682V
C253	GR39Y5V104Z25PT	C550	GR39Y5V103Z50PT	R105	ERJ-3GEYJ393V
C254	GR39Y5V103Z50PT	C600	16RC2-22MS	R118	ERJ-3GEYJ271V
C257	GR39CH270J50PT	C603	6.3RC2-100MS	R119	ERJ-3GEYJ561V
C259	GR40W5R332K50PT	C606	25RC2-100MS	R123	ERJ-3GEYJ102V
C261	GR39PH560J50PT	C641	GR39W5R103K50PT	R124	ERJ-3GEYF333V
C262	GR39Y5V103Z50PT	C642	GR39Y5V104Z25PT	R125	ERJ-3GEYF152V
C263	GR39PH560J50PT	C700	6.3RC2-47MS	R126	ERJ-3GEYF912V
C264	GR39CK0R5C50PT	C740	GR39Y5V104Z25PT	R140	ERJ-3GEYJ4R7V
C267	GR39W5R152K50PT	C741	GR39Y5V104Z25PT	R141	ERJ-3GEYJ470V
C269	GR39Y5V103Z50PT	C742	GR39Y5V104Z25PT	R201	ERJ-3GEYJ820V
C270	GR39Y5V103Z50PT	C750	GR39CH470J50PT	R202	ERJ-3GEYJ392V
C271	GR39Y5V103Z50PT	C751	GR39CH470J50PT	R203	ERJ-3GEYJ332V
C300	50RC2-3R3	C755	GR39UJ270J50PT	R204	ERJ-3GEYJ681V
C301	50RC2-3R3	C756	GR39Y5V103Z50PT	R205	ERJ-3GEYJ5R6V

The following electrical parts will be not supplied from CASIO. (For TV-8700S)

R206	ERJ-3GEYJ151V	R318	ERJ-3GEYJ152V	R810	ERJ-3GEYJ163V
R207	ERJ-3GEYJ151V	R320	ERJ-3GEYJ391V	R815	ERJ-3GEYJ102V
R208	ERJ-3GEYJ242V	R321	ERJ-3GEYJ101V	R816	ERJ-3GEYJ223V
R209	ERJ-3GEYJ103V	R323	ERJ-3GEY0R00V	R817	ERJ-3GEYJ223V
R210	ERJ-3GEYJ472V	R324	ERJ-3GEYJ103V	R819	ERJ-3GEYJ203V
R211	ERJ-3GEYJ104V	R325	ERJ-3GEYJ273V	R820	ERJ-3GEYJ184V
R212	ERJ-3GEYJ222V	R326	ERJ-3GEYJ103V	R821	ERJ-3GEYJ154V
R213	ERJ-3GEYJ563V	R330	ERJ-3GEYJ333V	R822	ERJ-3GEYJ203V
R222	ERJ-3GEYJ470V	R400	ERJ-3GEYJ681V	R824	ERJ-3GEYF223V
R223	ERJ-3GEYJ154V	R402	ERJ-3GEYJ103V	R825	ERJ-3GEYF124V
R224	ERJ-3GEYJ225V	R403	ERJ-3GEYJ122V	R827	ERJ-3GEYJ333V
R225	ERJ-3GEYJ303V	R406	ERJ-3GEYJ221V	R830	ERJ-3GEYJ224V
R227	ERJ-3GEYJ682V	R407	ERJ-3GEYJ103V	R833	ERJ-3GEYJ223V
R230	ERJ-3GEYJ182V	R408	ERJ-3GEYJ473V	R834	ERJ-3GEYJ104V
R236	ERJ-3GEYJ154V	R409	ERJ-3GEYJ102V	R835	ERJ-3GEYF103V
R239	ERJ-3GEYJ392V	R410	ERJ-3GEYJ273V	R836	ERJ-3GEYF103V
R241	ERJ-3GEYJ104V	R411	ERJ-3GEYJ223V	R950	ERJ-8GEYJ102V
R242	ERJ-3GEYJ223V	R415	ERJ-3GEYJ683V	T200	5KAC-03A
R246	ERJ-3GEYJ121V	R418	ERJ-3GEYJ681V	T201	5KAC-03A
R247	ERJ-3GEYJ122V	R420	ERJ-3GEYJ122V	T400	P5BF-01
R251	ERJ-3GEYJ511V	R421	ERJ-3GEYJ561V	T401	P5ID-01
R252	ERJ-3GEYJ561V	R422	ERJ-3GEYJ561V	T402	5PRD-01
R253	ERJ-3GEYJ471V	R423	ERJ-3GEYJ122V	T403	5PBD-01
R254	ERJ-3GEYJ471V	R428	ERJ-3GEYJ561V	T404	P5DM-01
R256	ERJ-3GEYJ104V	R429	ERJ-3GEYJ561V	VR100	POZ3AN-1-203N-T00
R257	ERJ-3GEYJ273V	R500	ERJ-3GEYJ473V	VR200	POZ3AN-1-503N-T00
R258	ERJ-3GEYJ273V	R502	ERJ-3GEYJ224V	VR300	POZ3AN-1-203N-T00
R259	ERJ-3GEYJ561V	R510	ERJ-3GEYJ134V	VR301	POZ3AN-1-503N-T00
R260	ERJ-3GEYJ681V	R512	ERJ-3GEYJ224V	VR400	POZ3AN-1-103N-T00
R261	ERJ-3GEYJ123V	R515	ERJ-3GEYJ134V	VR700	POZ3AN-1-104N-T00
R262	ERJ-3GEYJ223V	R517	ERJ-3GEYJ224V		
R263	ERJ-3GEYJ391V	R541	ERJ-3GEYJ223V		
R270	ERJ-3GEYJ104V	R545	ERJ-3GEYJ474V		
R271	ERJ-3GEYJ104V	R550	ERJ-3GEYJ562V		
R272	ERJ-3GEYJ471V	R600	ERJ-3GEYJ680V		
R273	ERJ-3GEYJ151V	R601	ERJ-3GEYJ512V		
R274	ERJ-3GEYJ271V	R605	ERJ-8GEYK3R9V		
R275	ERJ-3GEYJ271V	R606	ERJ-8GEYK3R9V		
R280	ERJ-3GEYJ103V	R607	ERJ-8GEYK3R9V		
R281	ERJ-3GEYJ563V	R620	ERJ-3GEYJ470V		
R282	ERJ-3GEYJ681V	R642	ERJ-3GEYJ113V		
R283	ERJ-3GEYJ683V	R701	ERJ-3GEYJ562V		
R284	ERJ-3GEYJ331V	R702	ERJ-3GEYJ333V		
R290	ERJ-3GEYJ913V	R703	ERJ-3GEYJ105V		
R291	ERJ-3GEYJ823V	R704	ERJ-3GEYJ102V		
R292	ERJ-3GEYJ822V	R705	ERJ-3GEYJ563V		
R300	ERJ-3GEYJ102V	R706	ERJ-3GEYJ223V		
R301	ERJ-3GEY0R00V	R707	ERJ-3GEYJ183V		
R302	ERJ-3GEYJ391V	R725	ERJ-3GEYF201V		
R303	ERJ-3GEYJ152V	R726	ERJ-3GEYF122V		
R306	ERJ-3GEYJ682V	R727	ERJ-3GEYF122V		
R307	ERJ-3GEYJ682V	R730	ERJ-3GEYJ562V		
R308	ERJ-3GEYJ224V	R733	ERJ-3GEYJ104V		
R309	ERJ-3GEYJ393V	R734	ERJ-3GEY0R00V		
R312	ERJ-3GEYJ153V	R738	ERJ-3GEYJ123V		
R313	ERJ-3GEYJ333V	R770	ERJ-3GEYJ122V		
R314	ERJ-3GEYJ103V	R808	ERJ-3GEYJ163V		
R317	ERJ-3GEYJ681V	R809	ERJ-3GEYJ163V		

MECHANICAL PARTS LIST

For TV-M420S

N	Item	Code No.	Parts Name	Specification	Q	R
N	1	6610 7600	Display plate SIM-K504	K440699-1	1	C
N	2	6610 7575	Upper case ass'y	K340462*2	1	X
N	2-1	6610 5930	Adhesive tape E-K504	K440601-1	1	C
	3	3831 0854	Speaker	28-8F-03	1	C
N	4	6610 5210	Switch knob A-K504	K340410-1	1	X
N	5	6610 5230	Tuning button A-K504	K240314-1	1	X
N	6	2725 1127	LCD ass'y	PSG140C0-T0	1	B
N	7	6610 5960	Light diffuser sheet B-K504	K440599-1	1	X
N	8	6610 7560	Dimmer sheet C-K504	K440708-1	1	X
N	9	6610 5950	Dimmer sheet B-K504	K440598-1	1	X
N	10	6610 5220	Light diffuser plate A-K504	K440517-1	1	X
N	11	6610 7560	Reflector ass'y	K240359*2	1	X
N	11-1	3851 1785	Fluorescent lamp	48U3492BC-CA36	1	A
N	12	6610 7576	Linear PCB ass'y	K240407*1	1	B
N	13	6610 5250	System switch knob A-K504	K340411-1	1	X
N	14	6610 7573	Lower case ass'y	K440725*1	1	X
N	15	6610 7110	System label A-K504	K440698-1	1	X
	S-1	5860 0301	Screw	BT3 1.7X3.5 Ni	2	X
N	S-2	5860 0203	Screw	BT3 1.7X7.5 Ni	2	X
N	S-3	6603 8930	Screw A-K310	K41136-1	4	X
	S-4	5860 0805	Screw	BT3 1.7X10 Bk	2	X
N	S-5	5860 9821	Screw	BT3 2X6 Bk	4	X

ACCESSORY

N	Item	Code No.	Parts Name	Specification	Q	R
		1014 6848	Car battery code	CA-K1200J-(D)	1	X
N		3851 1666	Front stand	OS-25FT-(D)	1	X
N		3851 1582	Car antenna	OS-62A-T-(D)	1	X

Notes: N – New parts
 Q – Quantity used per unit
 R – Rank

For TV-8700S

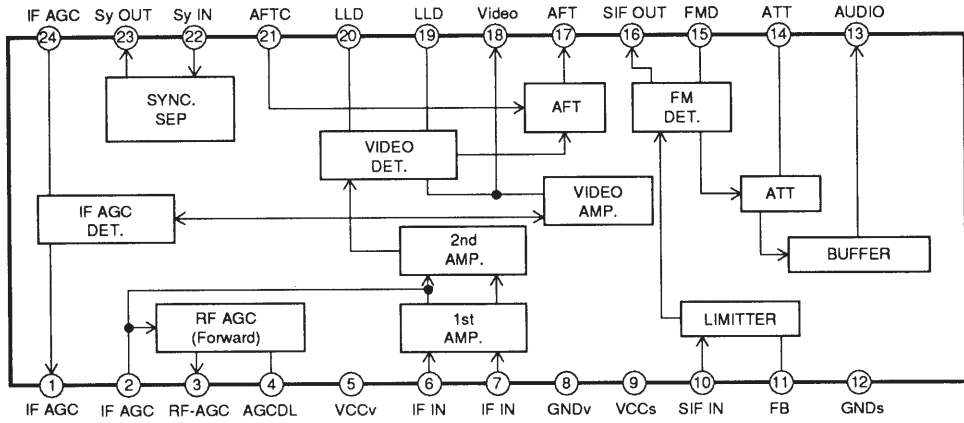
N	Item	Code No.	Parts Name	Specification	Q	R
N	1	6610 7600	Display plate SIM-K504	K440699-1	1	C
N	2	6610 9239	Upper case ass'y	K340462*4	1	X
N	2-1	6610 5930	Adhesive tape E-K504	K440601-1	1	C
	3	3831 0854	Speaker	28-8F-03	1	C
N	4	6610 5210	Switch knob A-K504	K340410-1	1	X
N	5	6610 5230	Tuning button A-K504	K240314-1	1	X
N	6	2725 1127	LCD ass'y	PSG140C0-T0	1	B
N	7	6610 5960	Light diffuser sheet B-K504	K440599-1	1	X
N	8	6610 7560	Dimmer sheet C-K504	K440708-1	1	X
N	9	6610 5950	Dimmer sheet B-K504	K440598-1	1	X
N	10	6610 5220	Light diffuser plate A-K504	K440517-1	1	X
N	11	6610 9236	Reflector ass'y	K240359*4	1	X
N	11-1	3851 1834	Fluorescent lamp	48U3492BK-CA38	1	A
N	12	6610 9234	Linear PCB ass'y	K240447*1	1	B
N	13	6610 7060	System switch knob SAM-K514	K340503-1	1	X
N	14	6610 8230	Antenna plate K514	K440659-1	1	X
	15	3851 1589	Rod antenna	YC-KX-618-A1	1	B
N	16	6610 7000	Lower case BIM-K514	K140227-1	1	X
N	17	6610 7080	Stand BIM-K514	K240396-1	1	C
N	18	6610 7010	Battery spring A-K514	K440660-1	1	X
N	19	6610 7020	Battery spring B-K514	K440661-1	1	X
N	20	6610 7030	Battery spring C-K514	K440662-1	1	X
	21	6610 0140	Cushion C-K618	K411959-2	4	X
N	22	6610 7050	Battery cover BIM-K514	K240395-1	1	X
N	23	6610 9250	System label SAM-K514	K440664-1	1	X
	S-1	5860 0301	Screw	BT3 1.7X3.5 Ni	2	X
N	S-2	5860 0203	Screw	BT3 1.7X7.5 Ni	2	X
N	S-3	6603 8930	Screw A-K310	K41136-1	4	X
	S-4	5860 0805	Screw	BT3 1.7X10 Bk	2	X
	S-5	5860 0420	Screw	BT3 1.7X4 Ni	1	X
	S-6	6609 8740	Screw A-K618	K412031-2	1	X

Notes: N – New parts
 Q – Quantity used per unit
 R – Rank

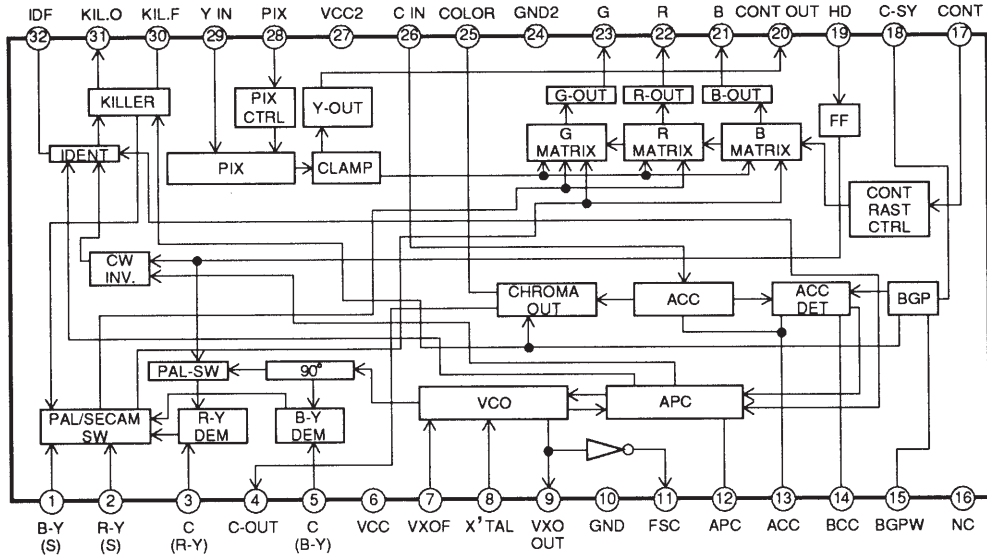
IC AND TRANSISTOR LEAD IDENTIFICATION

IC/LSI

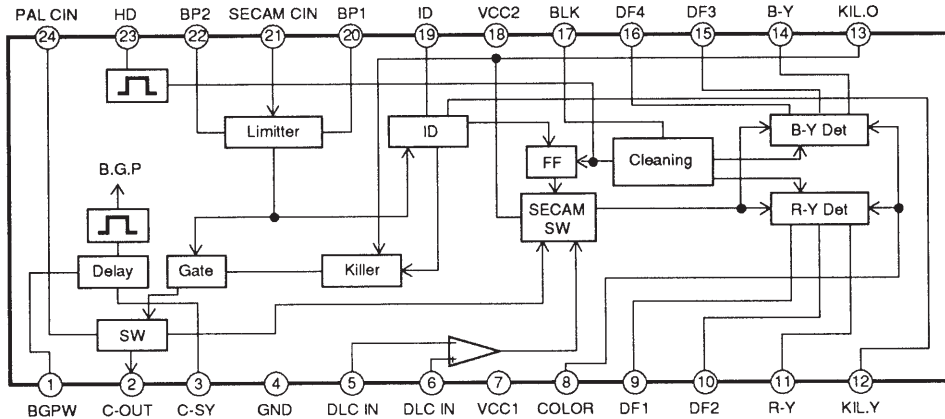
IC200
M51348FP



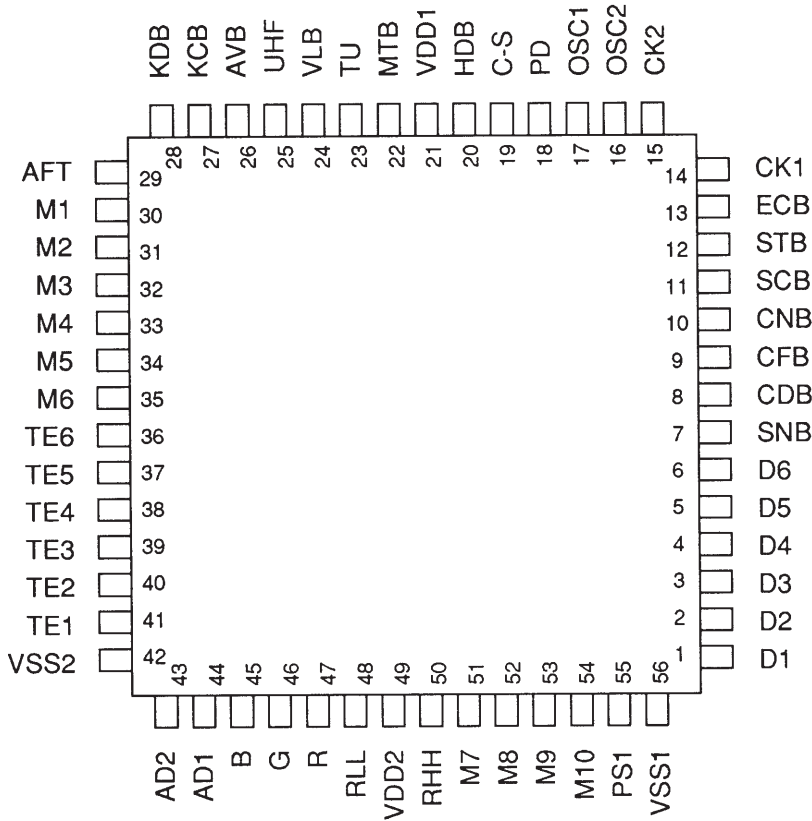
IC300
M51403FP



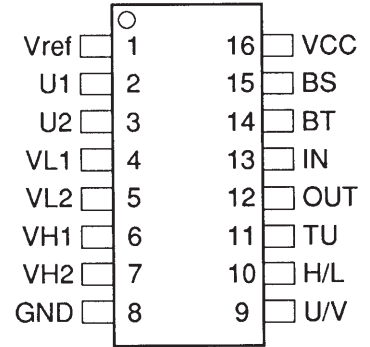
IC500
M51404AFP



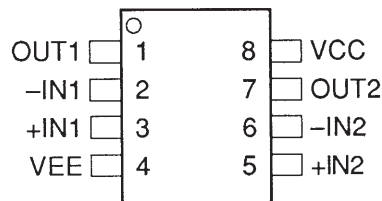
IC700
MSM6625-01GSK



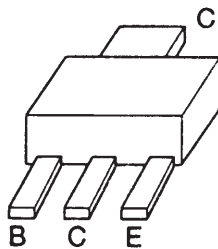
IC400
MSC1169MS-K



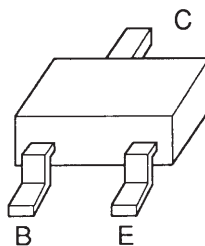
IC800
BA10358F



TRANSISTOR



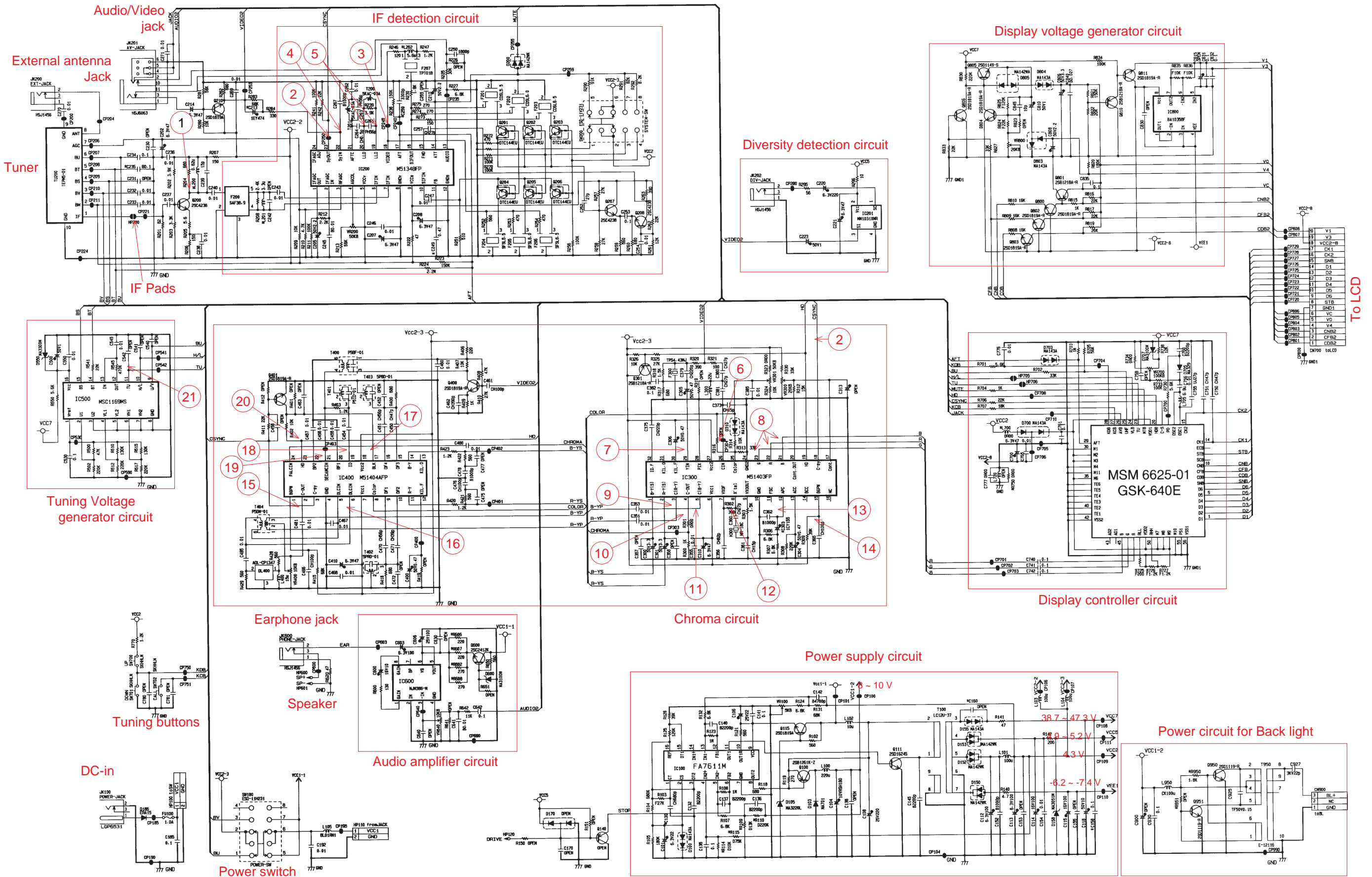
2SD1119



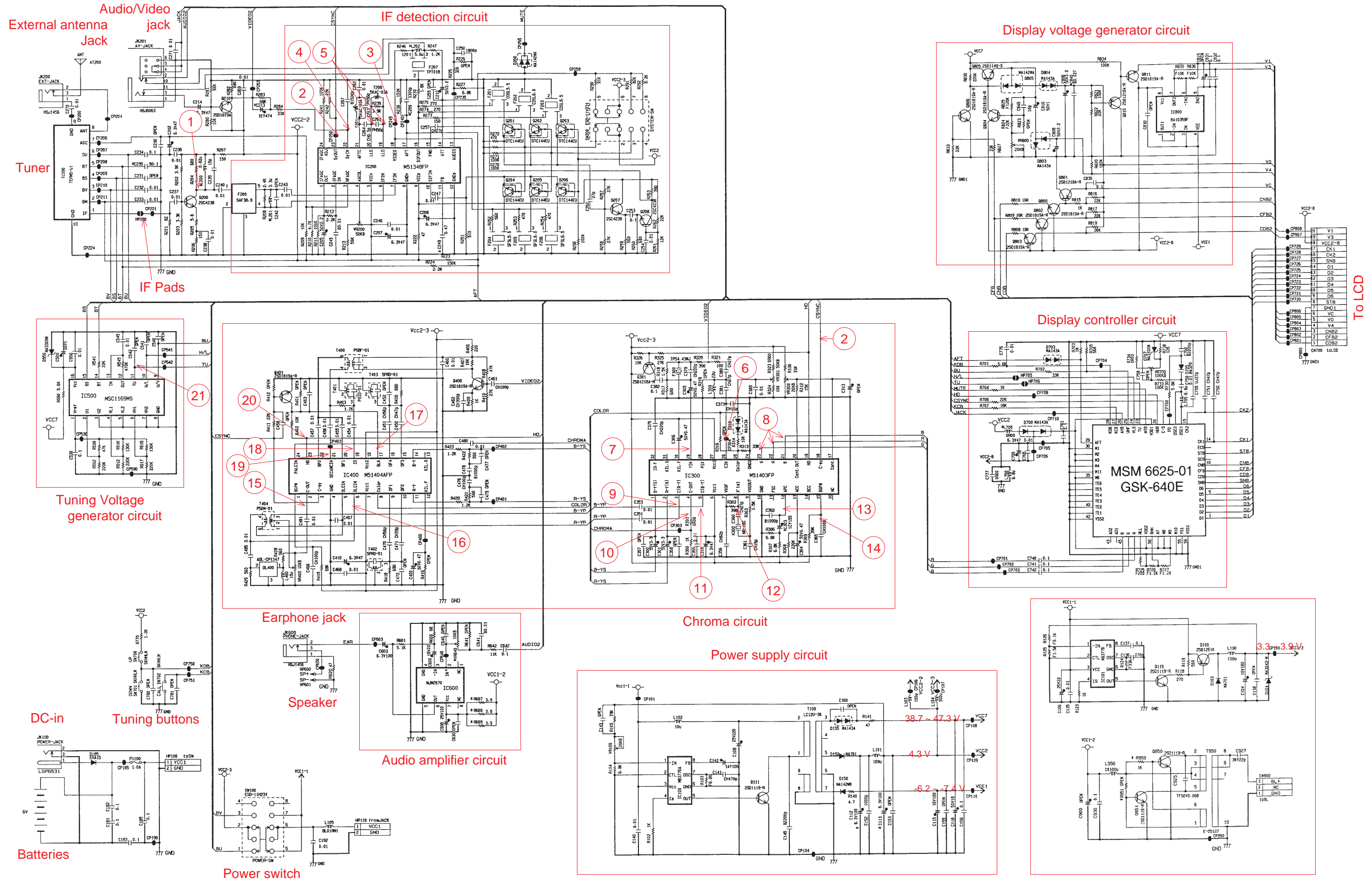
Others

SCHEMATIC DIAGRAMS

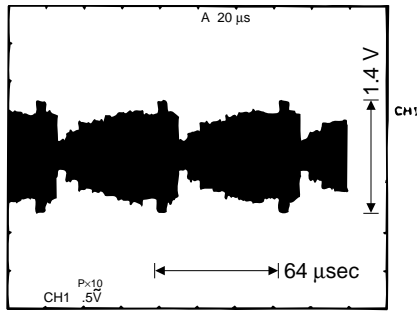
TV-M420S



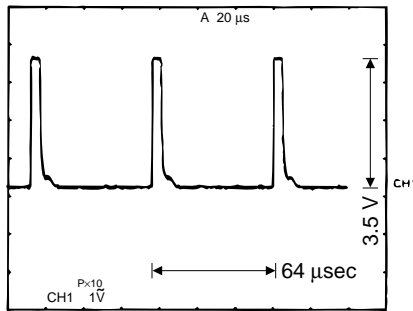
TV-8700S



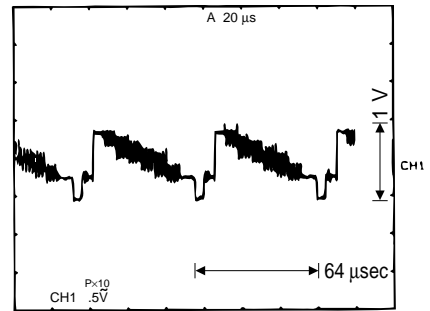
WAVEFORMS



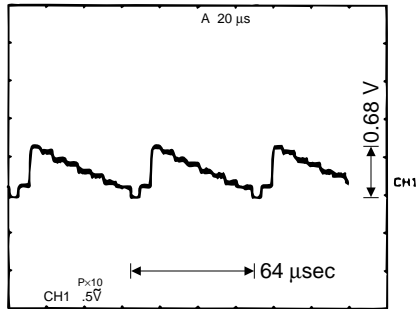
① Q200 Collector



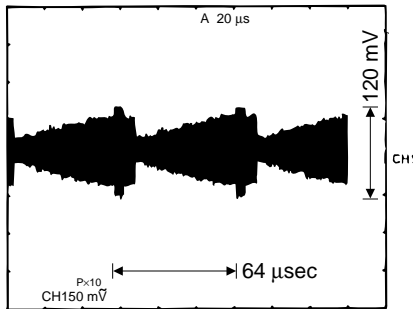
② IC200 Pin 23



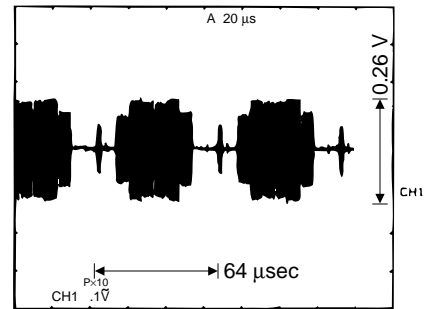
③ IC200 Pin 18



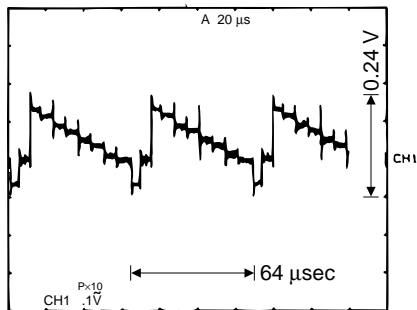
④ IC200 Pin 22



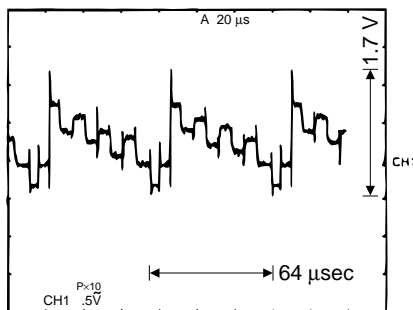
⑤ IC200 Pin 19, 20



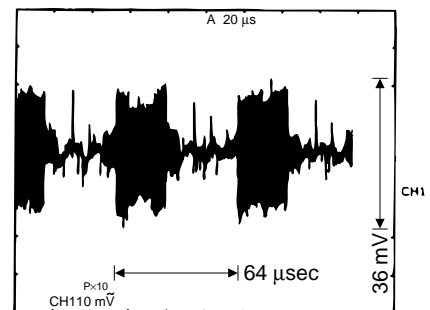
⑥ IC300 Pin 26



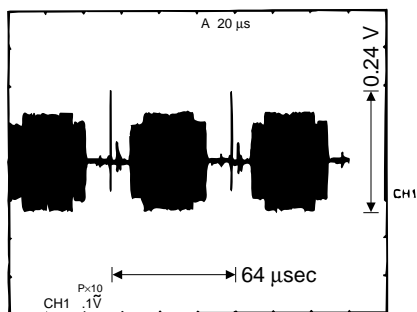
⑦ IC300 Pin 29



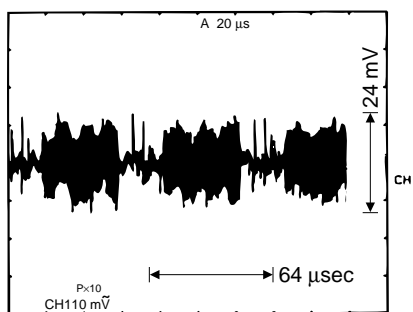
⑧ IC300 Pin 21, 22, 23



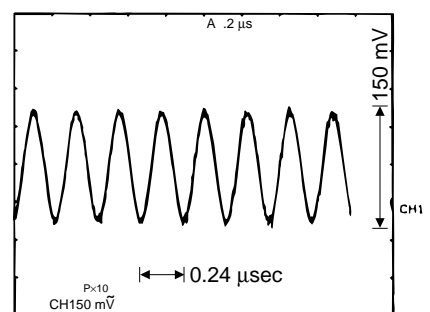
⑨ IC300 Pin 3



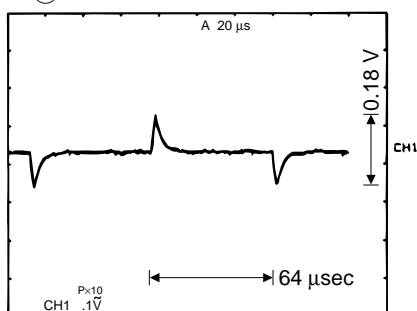
⑩ IC300 Pin 4



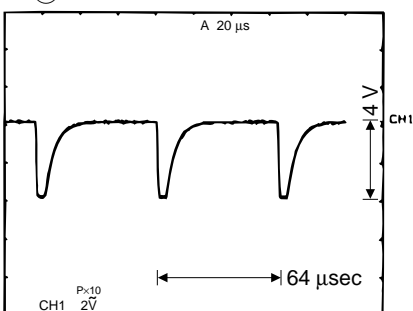
⑪ IC300 Pin 5



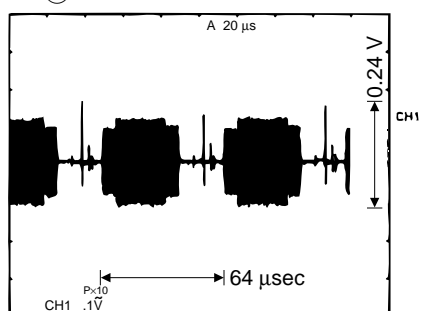
⑫ IC300 Pin 8



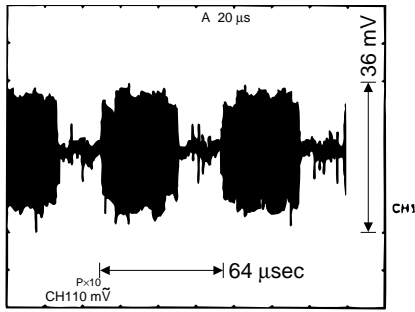
⑬ IC300 Pin 12



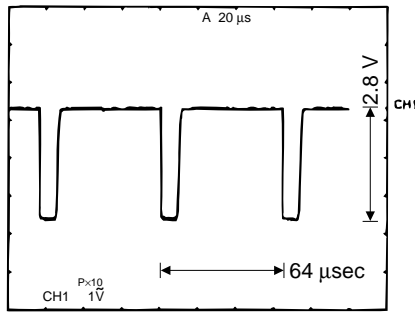
⑭ IC300 Pin 15



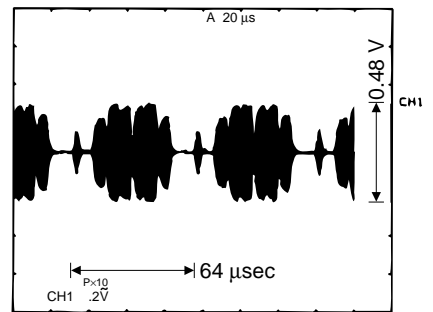
⑮ IC400 Pin 2



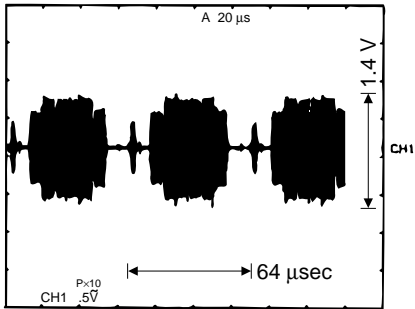
⑩ IC400 Pin 6



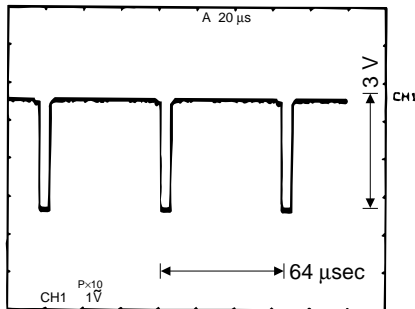
⑪ IC400 Pin 17



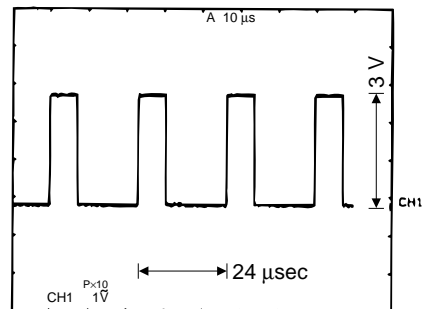
⑫ IC400 Pin 19



⑬ IC400 Pin 21



⑭ IC400 Pin 23



⑮ IC500 Pin 11

CASIO COMPUTER CO.,LTD.
Service Division

8-11-10, Nishi-Shinjuku
Shinjuku-ku, Tokyo 160, Japan
Telephone: 03-3347-4926