

# NanoPi NEO 2

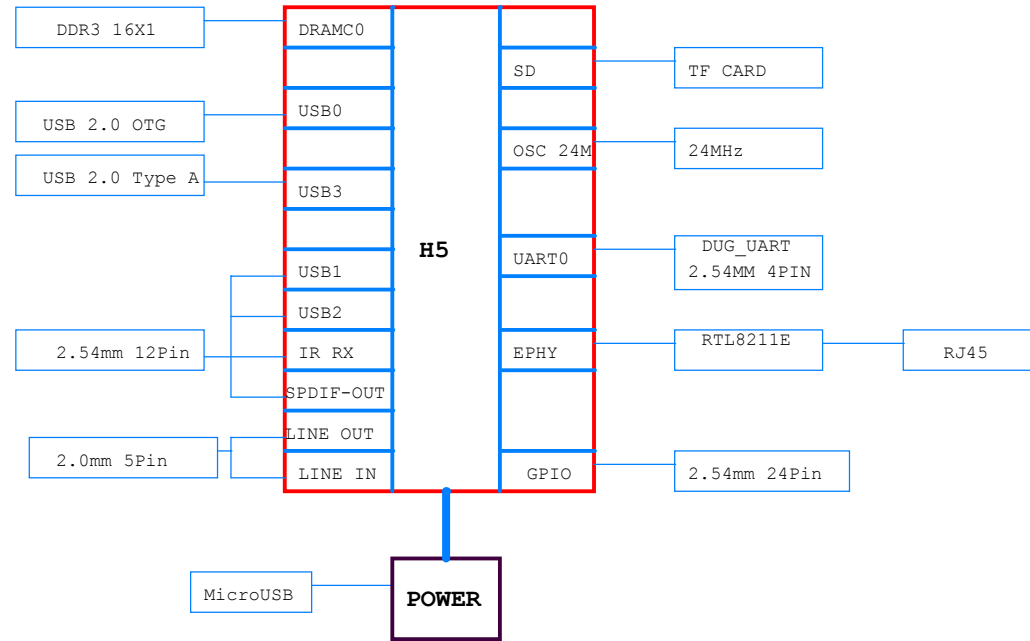
Revision

1701 , V1.0

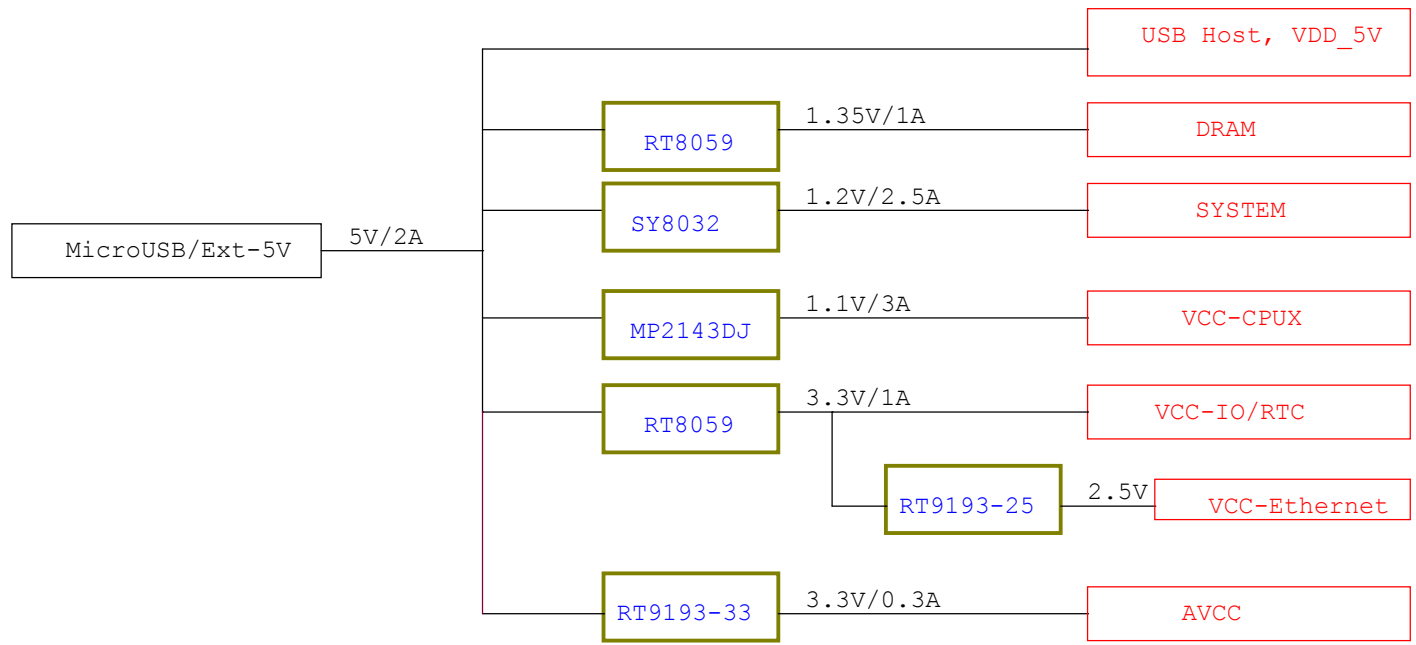


NanoPi NEO 2		
Size A3	Document Number 01:Title	Rev 1701
Date:	Thursday, March 02, 2017	Sheet 1 of 12

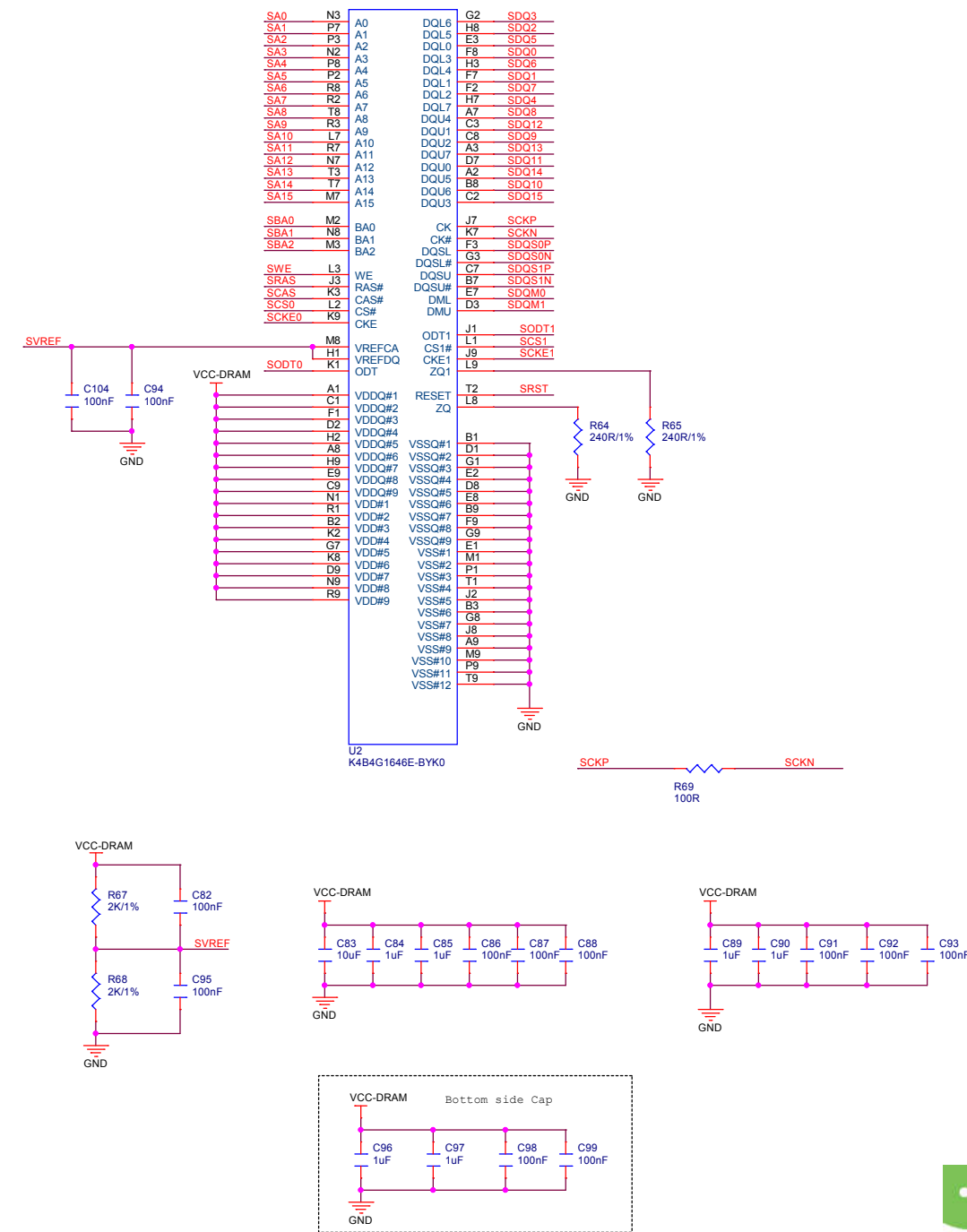
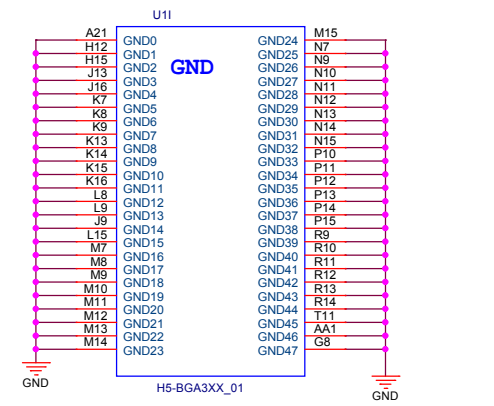
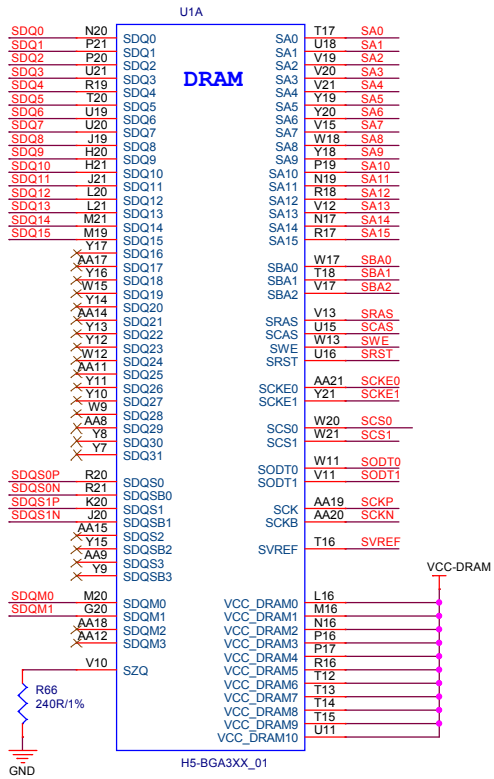
# BLOCK



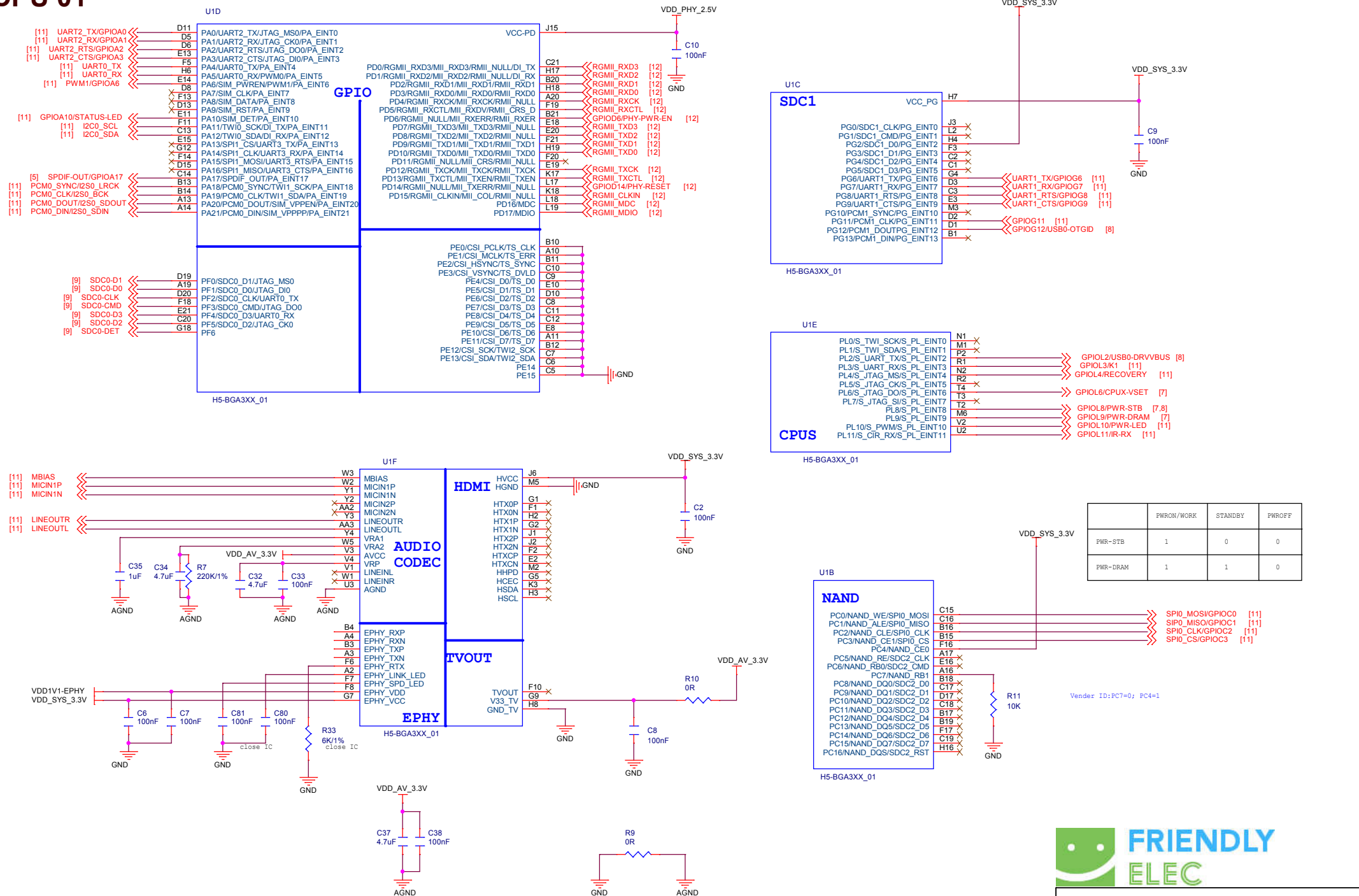
# POWER TREE



# DDR3 16x1



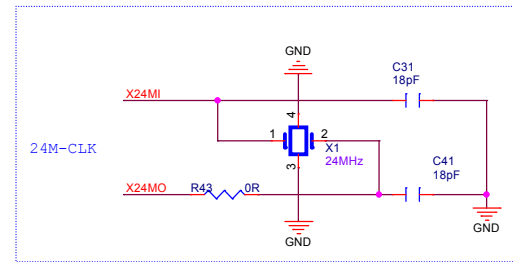
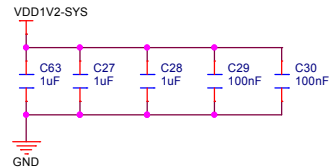
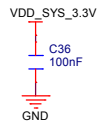
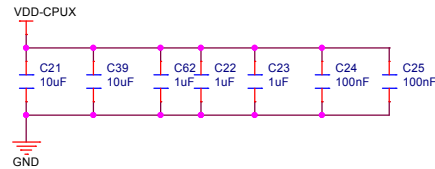
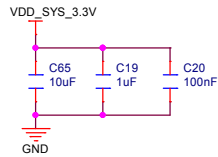
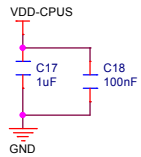
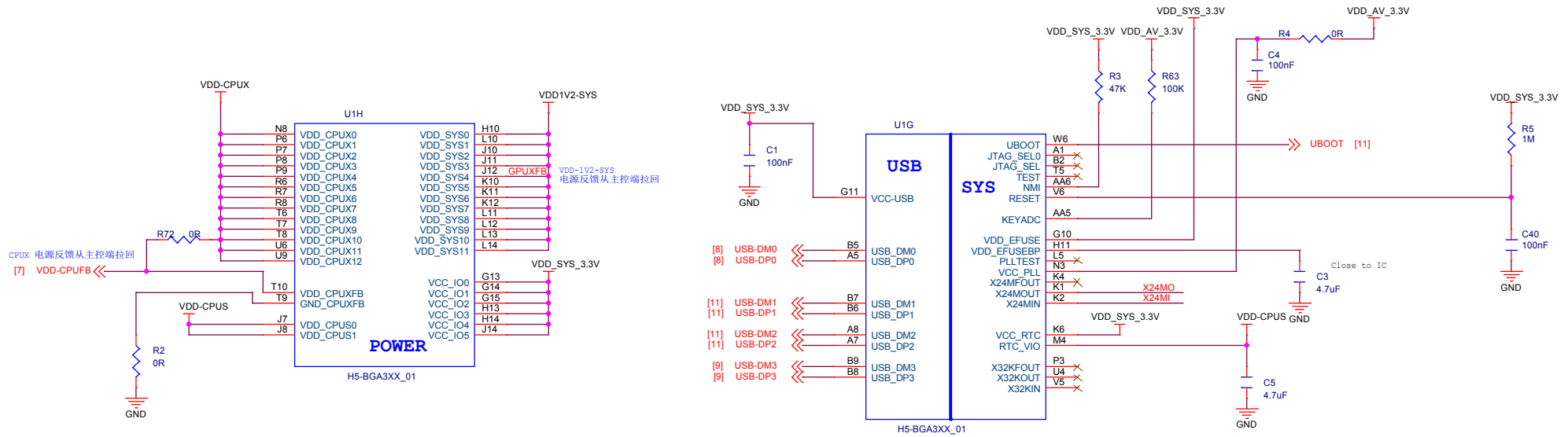
# CPU 01



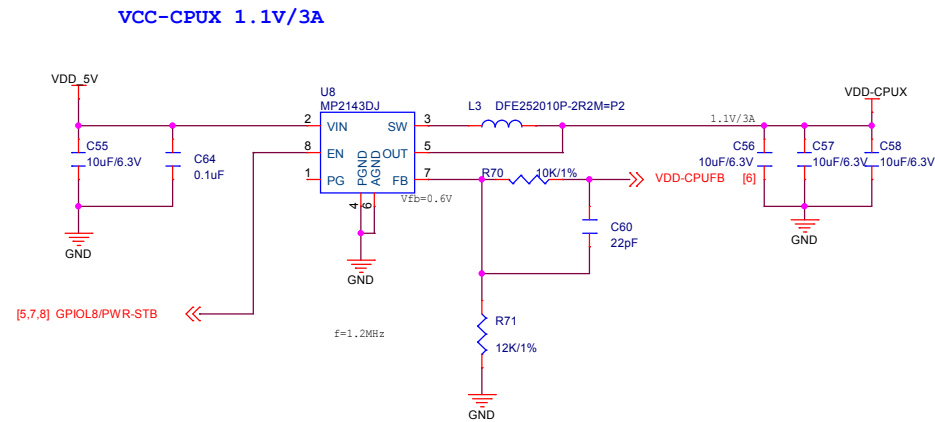
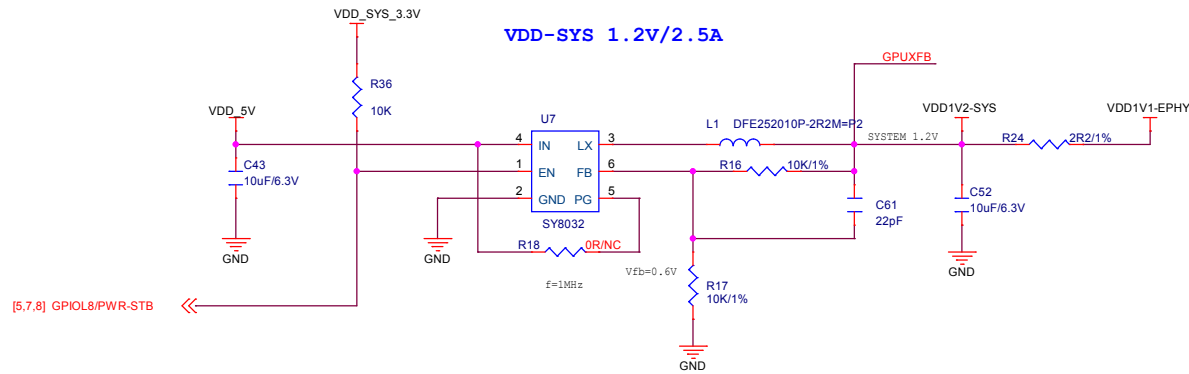
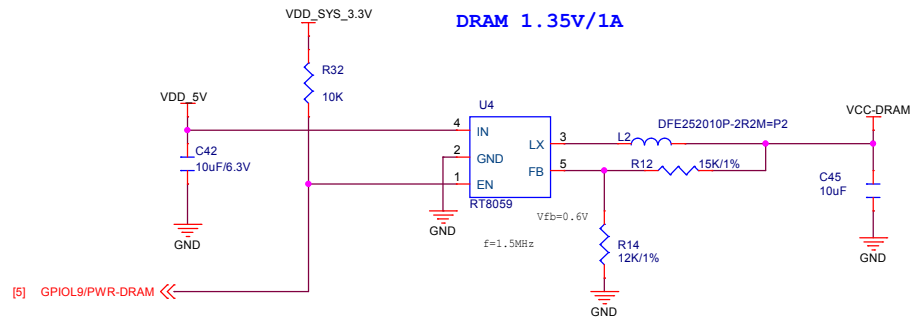
	PWRON/WORK	STANDBY	PWROFF
PWR-STB	1	0	0
PWR-DRAM	1	1	0



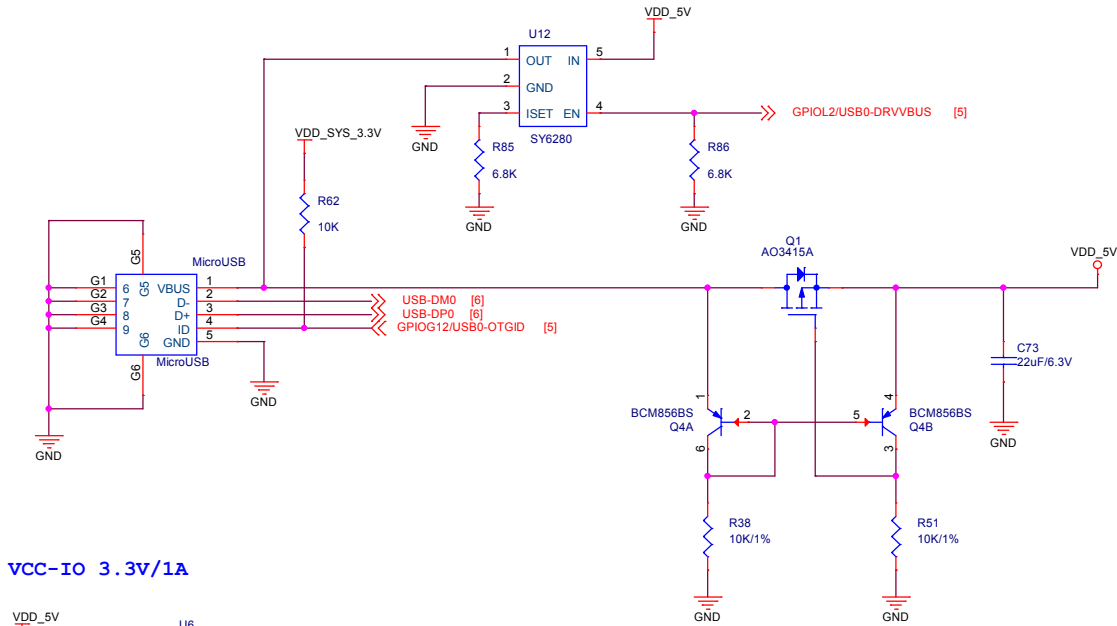
# CPU 02



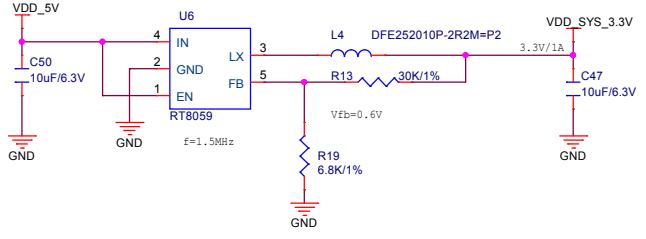
# POWER 01



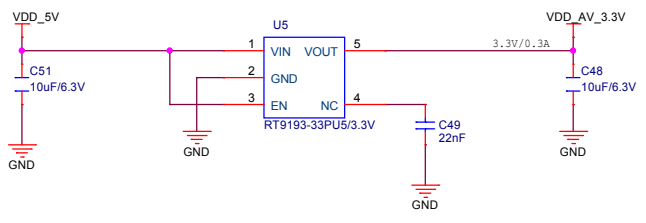
# POWER 02



## VCC-IO 3.3V/1A

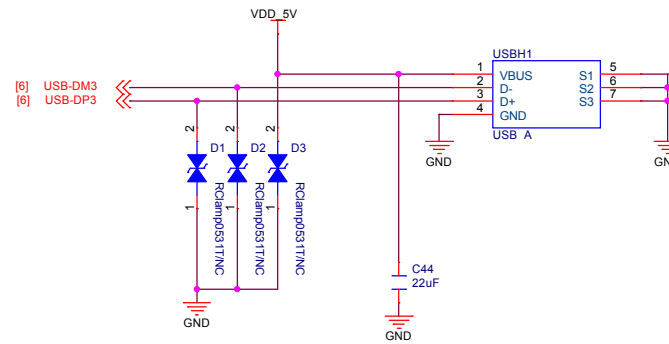
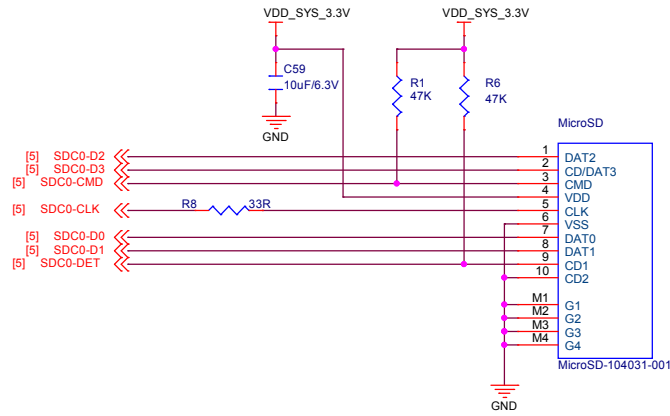


## VCC-AVCC 3.3V/0.3A

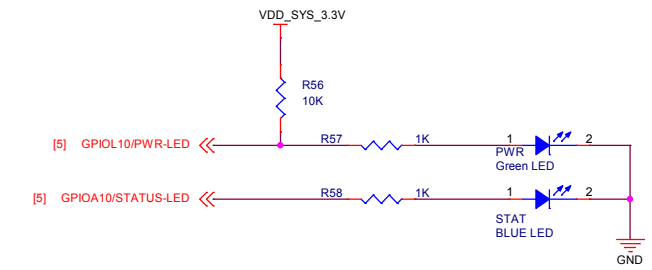
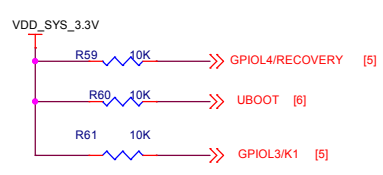
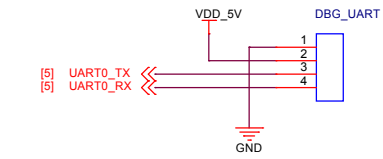
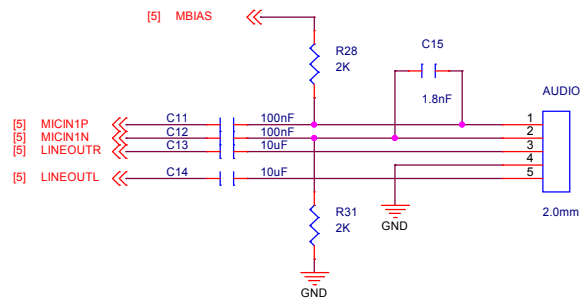
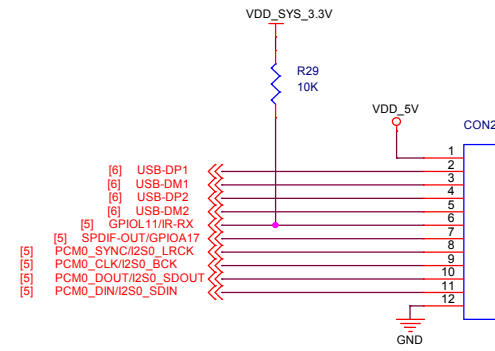
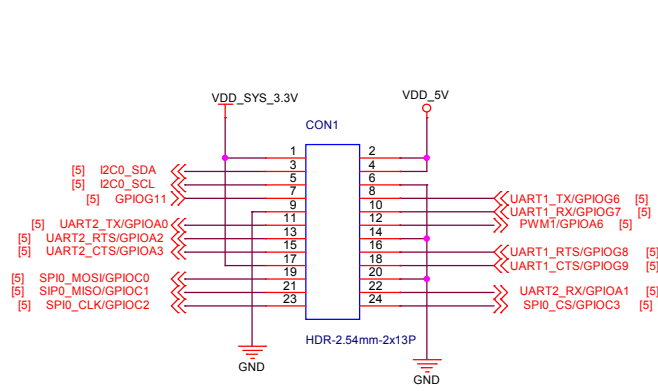




# TF Card,USB Host



# GPIO, DBG\_UART, IR,LEDs



# 10/100/1000M Ethernet

