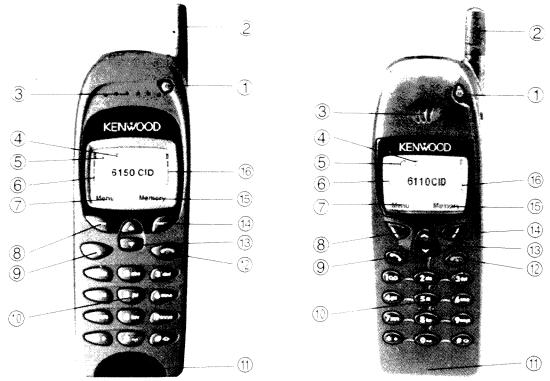


**I.Functional Features:**

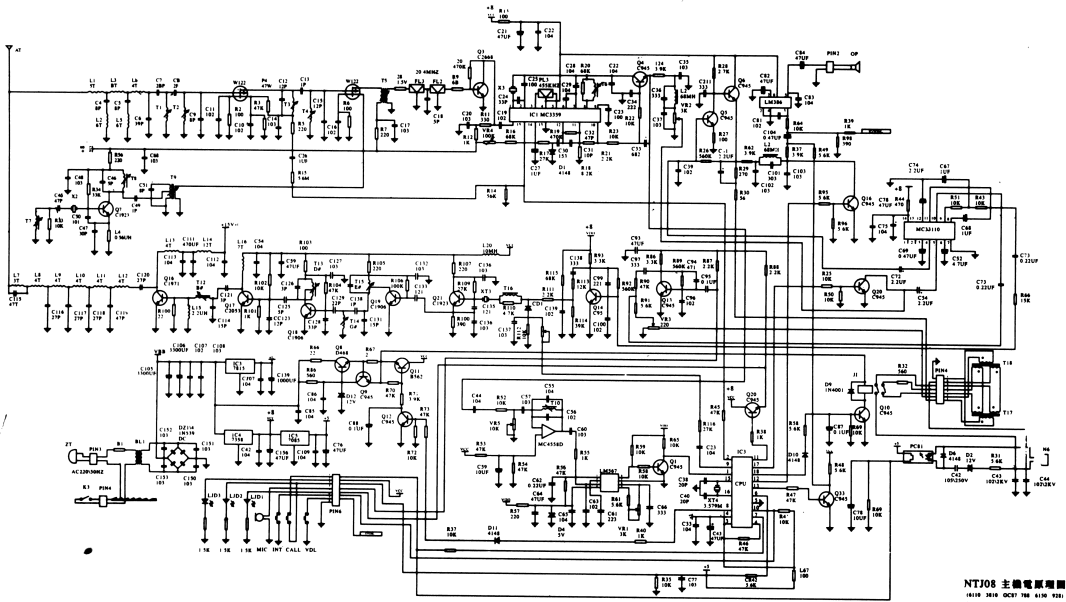
- 1. 110MHz-250MHz working frequency, not interfering TV reception.
- 2. CAD circuit design, SMD fabrication.
- 3. Self-test after turning on the handset.
- 4. With FSK/DTMF caller id.
- 5. Earphone.
- 6. Antenna
- 7. "Mobile telephone" LCD function display.
- 8. Keypads light at night.
- 9. Key sound design to ensure correct dial.
- 10. Press any key to receive calls.
- 11. Tone/pulse dial mode selection.
- 12. Three ringing sounds selection on handset.
- 13. Monitoring outside interference signal function.
- 14. Keypad lock function, ensure no errors while taking it.
- 15. Time and alarming time can be set in the clock of the handset.
- 16. Talk duration checking function.
- 17. Long-distance call lock function.
- 18. Using two-way numerical code on both handset and base as working way, safety and reliability.
- 19. Call wait function, one press will do.
- 20. Three parts talk function. Switchable call between handset and base.
- 21. 10 telephone numbers can be stored in handset for review or speed dial.
- 22. Advanced power save mode with low cell warning.

**Chinese long range cordless phones also known as Nokia, Kenwood, Senao, Sanyo and models 6150, 6110, 3810, OC87, 788, 928**



- 1. Power on-off key
- 2. Aerial
- 3. Speaker
- 4. Keypad lock indication
- 5. Hook off indication
- 6. Standby indication
- 7. Functional operation
- 8. Function key
- 9. Hook off key
- 10. Numerical key
- 11. Receiver
- 12. Key to end calls, reset key and cancel key
- 13. Communication key
- 14. Store and recall key
- 15. Indication of store and recall numbers operation
- 16. Battery voltage indication

**This file downloaded from  
<http://schematicterrorist.da.ru>**



NTJ08 主機電原理圖  
1010 3010 0C97 708 6150 9201



