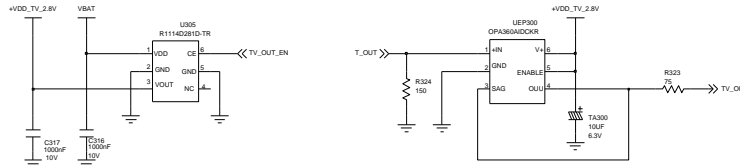
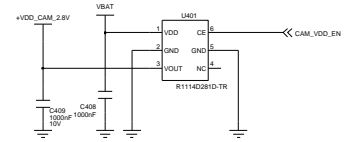
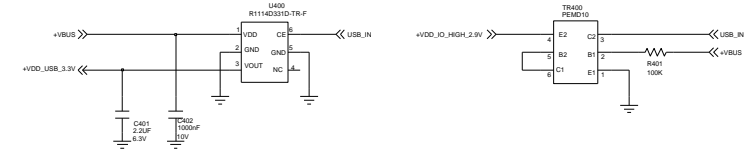
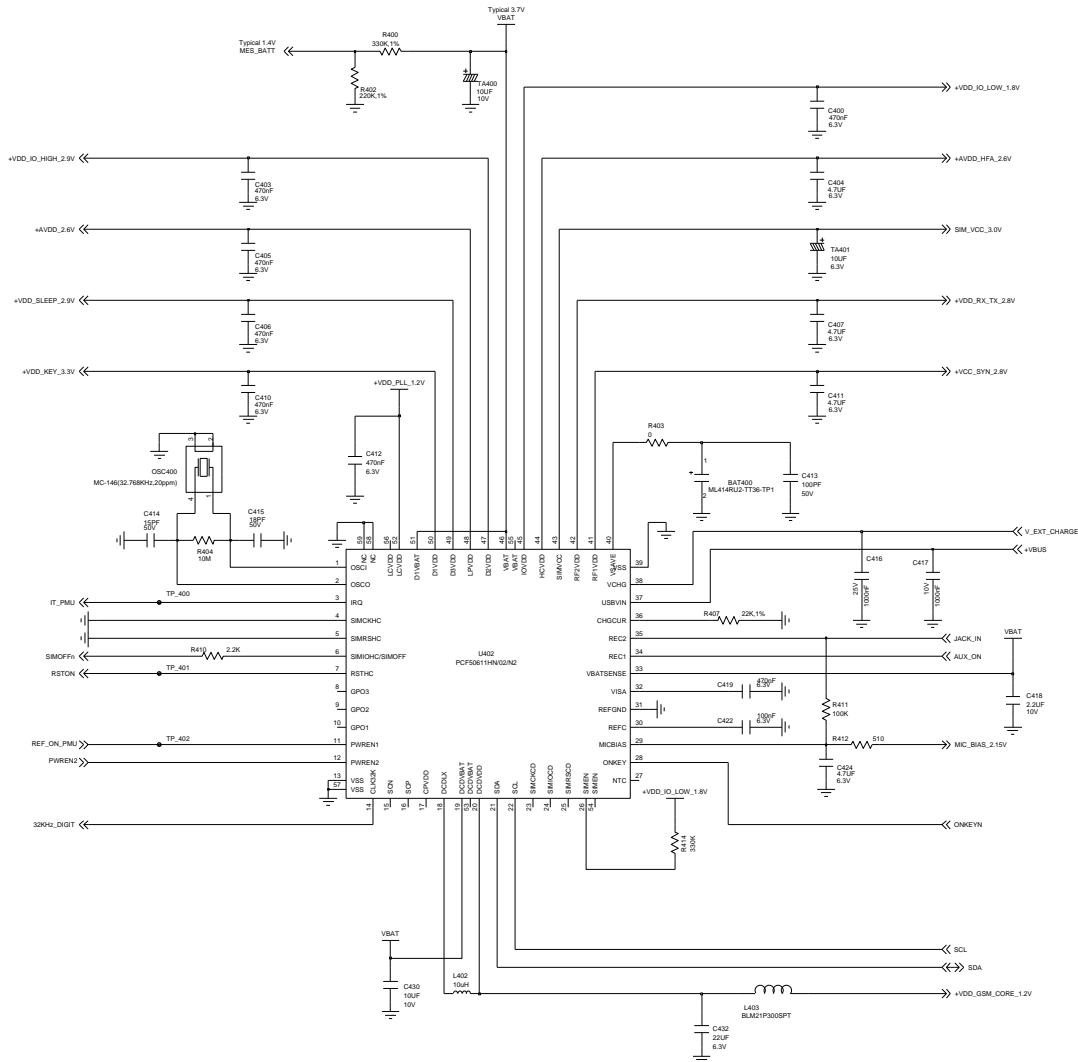


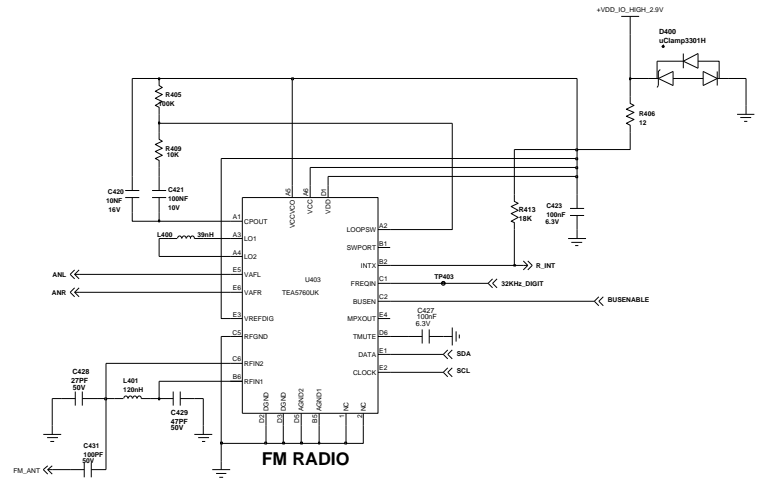
MEMORY

(256M NOR x 512M NAND x 256M UtRAM)



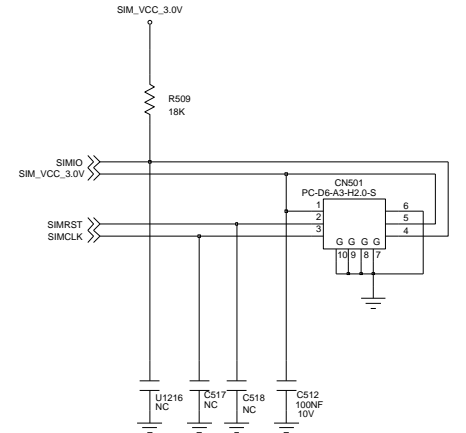
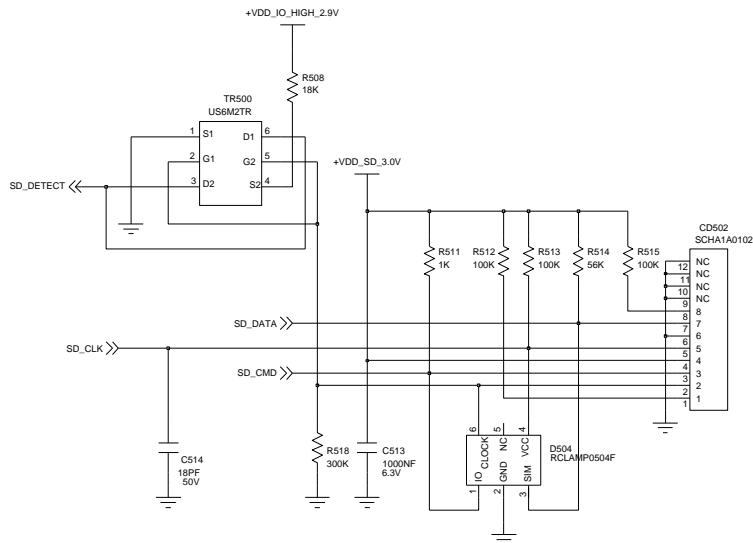
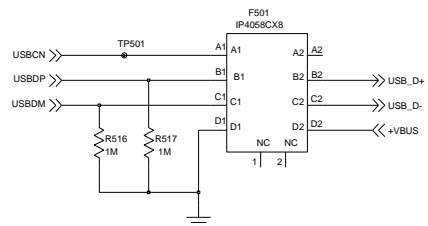
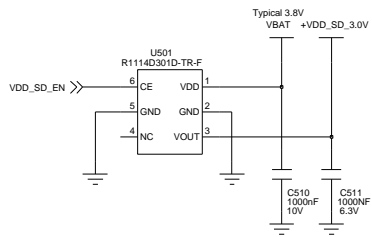
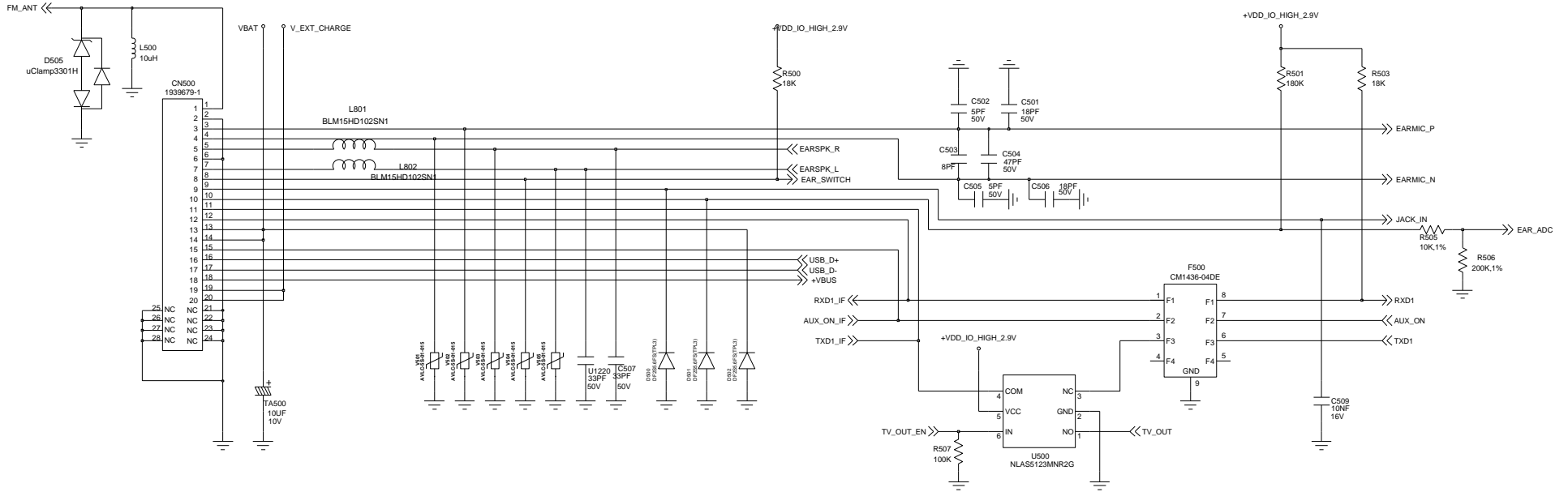


LDO



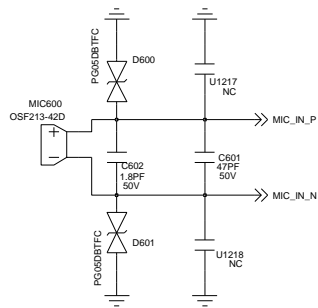
FM RADIO

Digital External Interface

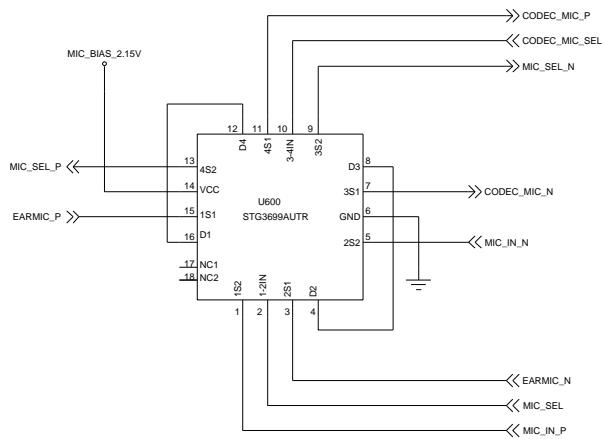
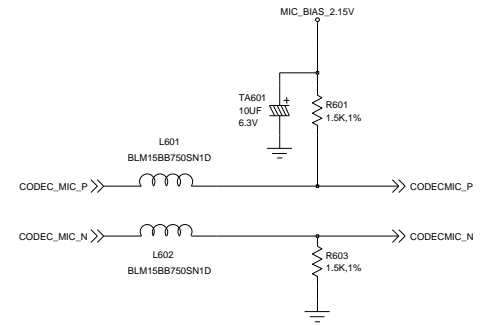
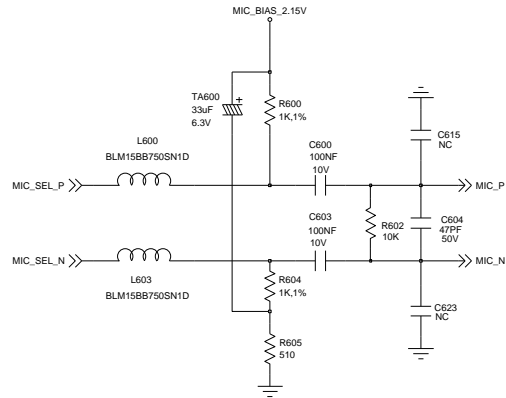


T-FLASH

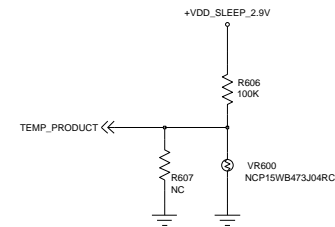
Title		
IF Connector & Charging Schematic		
Size	Document Number	Rev 0.9
A3	SAMSUNG/BLACKCARBON_VE/IF	
Date:	2007.03.07	Sheet 5 of 8



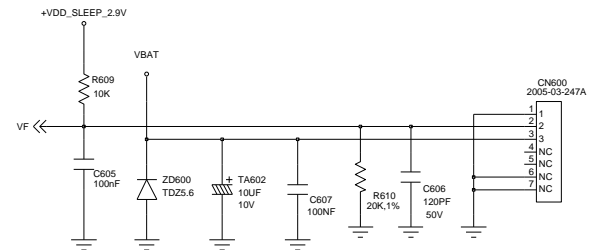
MICROPHONE

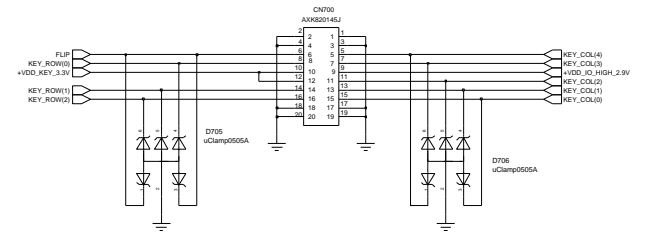
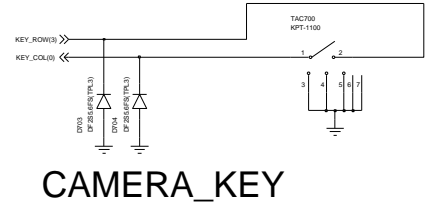
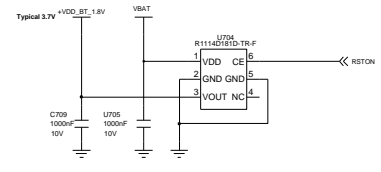
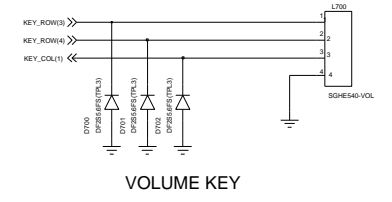
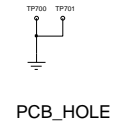
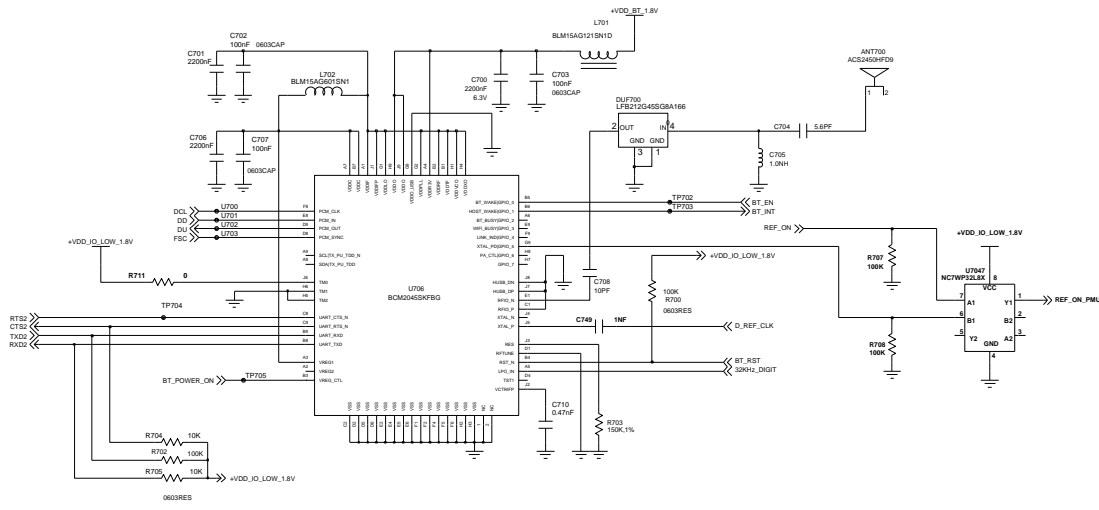


MIC_SEL	CODEC_MIC_SEL
H	EARPHONE MIC
L	MAIN MIC
H	CODEC INPUT
L	MAIN CHIP INPUT

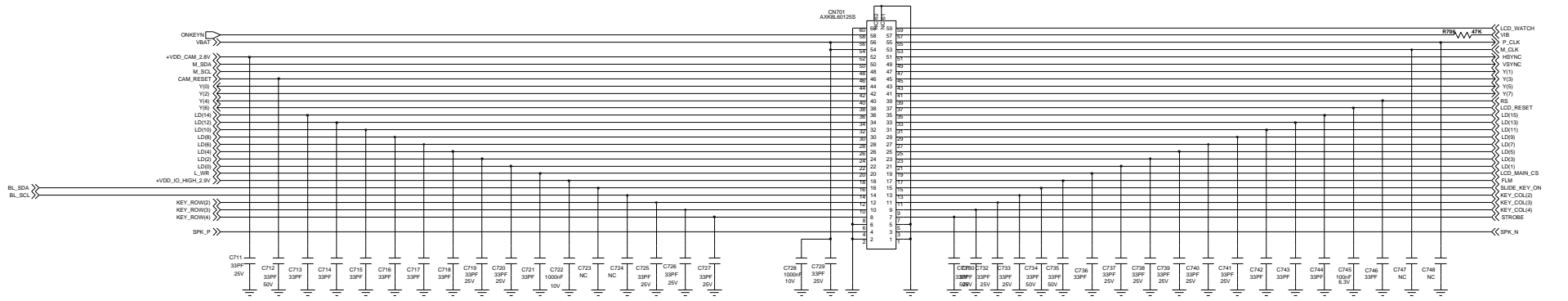


THERMISTER

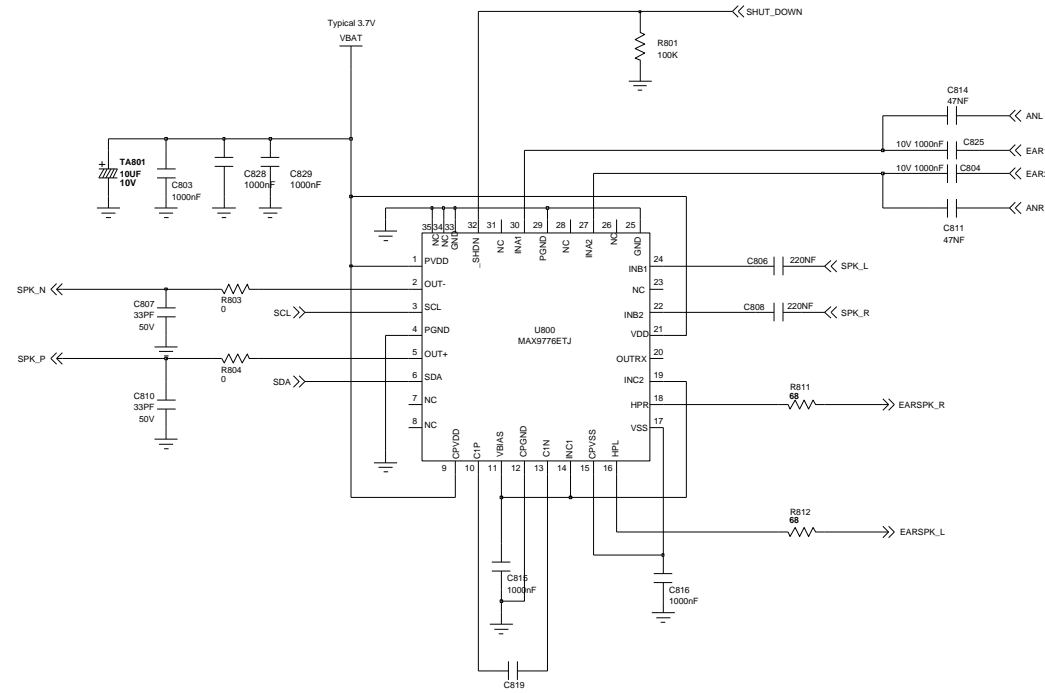
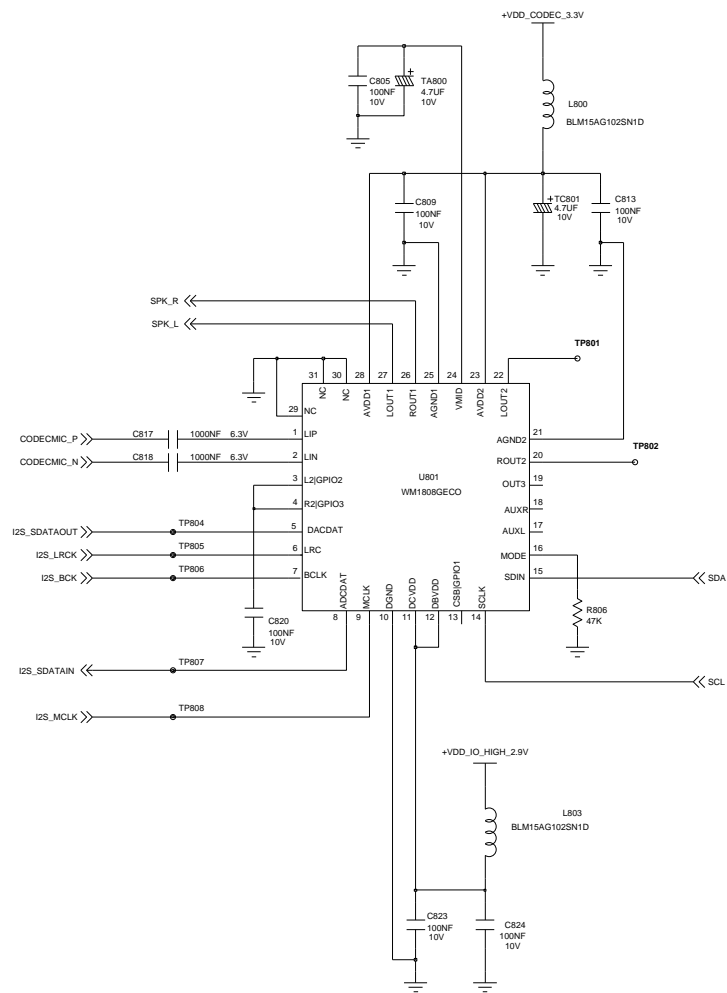




KEY_CONNECTOR



LCD_CONNECTOR



AUDIO AMP

